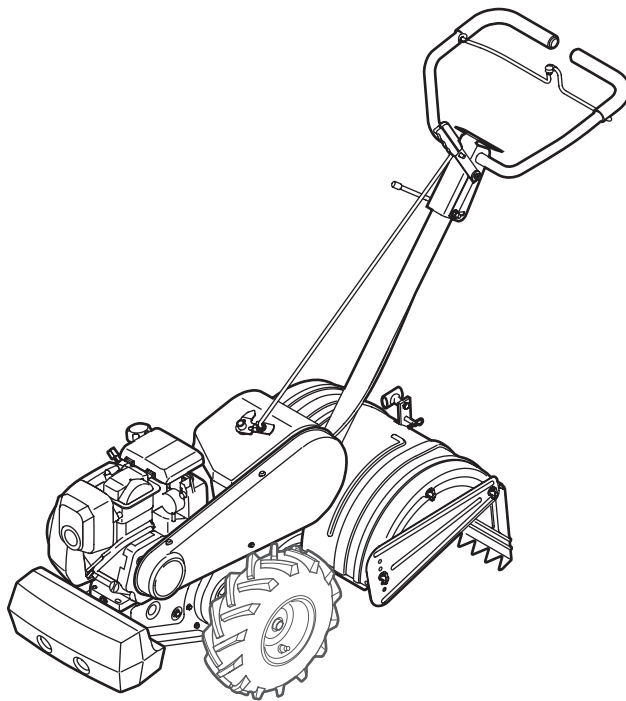

Cub Cadet.

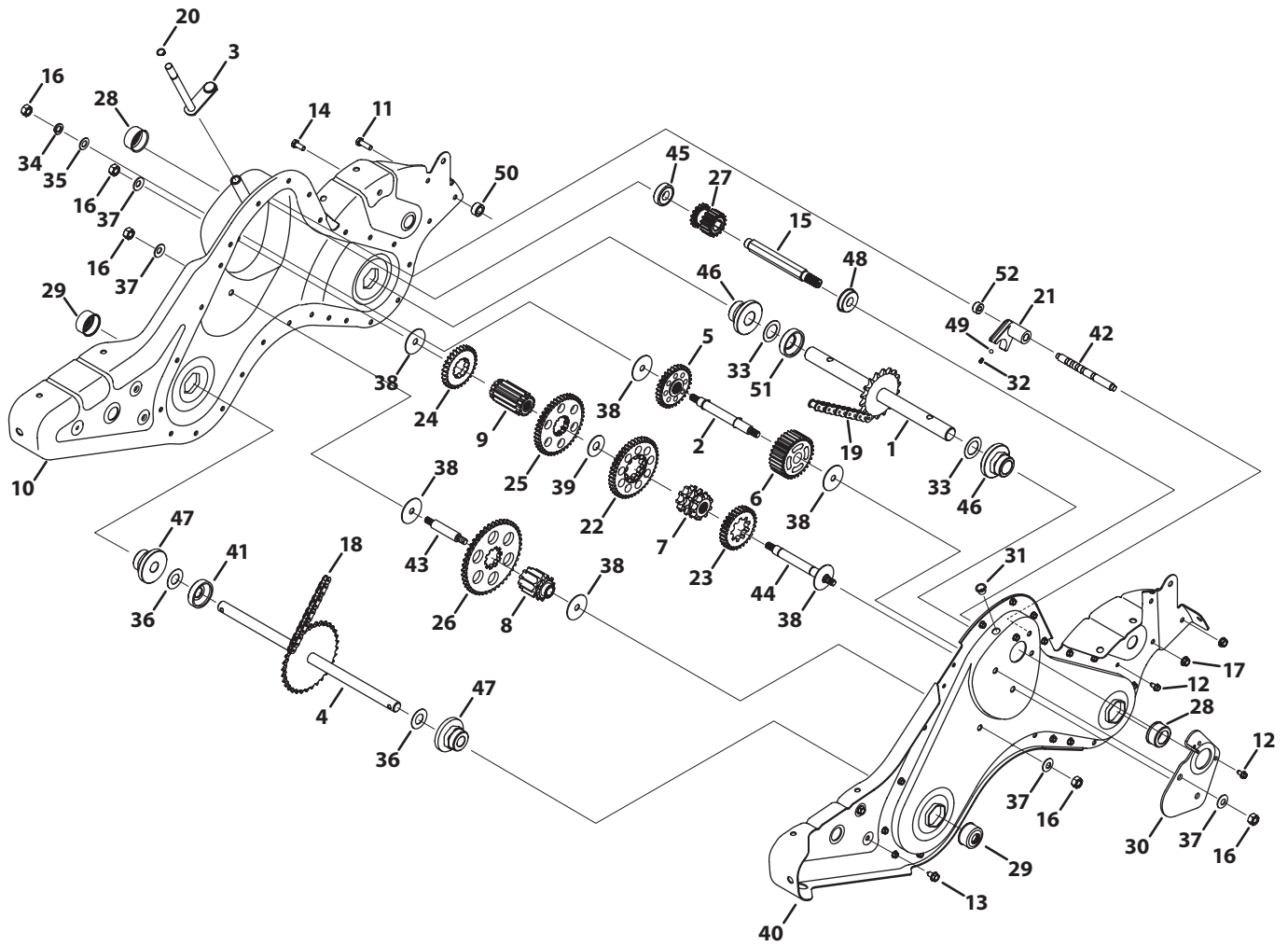
ILLUSTRATED PARTS MANUAL



Rear Tine Tiller — Model RT 65

CUB CADET LLC, P.O. BOX 361131 CLEVELAND, OHIO 44136-0019

RT 65 Gear Case Assembly

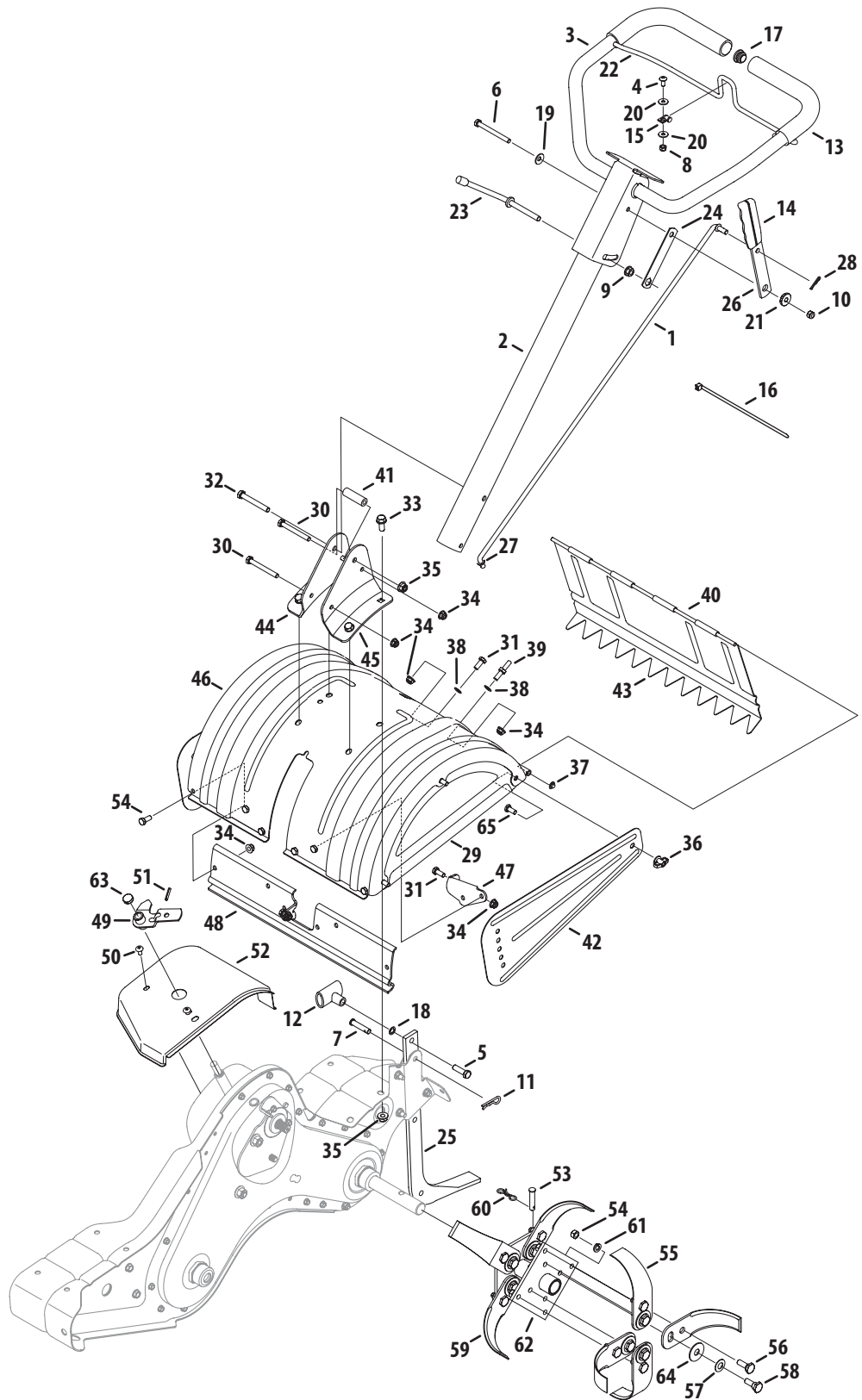


RT 65 Gear Case Assembly

Ref.	Part Number	Description
1.	611-0021	Shaft Assembly, Tine, 18T
2.	611-0128	Shaft Assembly, Jack
3.	611-0129	Shaft Assembly, Shift Input
4.	611-04074A	Shaft Assembly, Wheel, 33T
5.	617-0058	Gear Assembly, 30T Reverse Idler
6.	617-0059	Gear Assembly, 30T Tine Idler
7.	617-0060	Sprocket Assembly, 9T Tine Input
8.	617-0061	Sprocket Assembly, 10T Whl Input
9.	617-0062	Gear Assembly, 11T
10.	686-0108A-0637	RH Chain Case Housing Assembly
11.	710-0376	Hex Head Screw, 5/16-18 x 1.00
12.	710-0599	Screw, 1/4-20 x 0.500
13.	710-0604A	Screw, :5/16-18 x 0.625
14.	710-3008	Hex Head Screw, 5/16-18 x .75
15.	711-1349	Input Shaft, .75
16.	712-0378	Nut, Hex, 7/16-20
17.	712-3004A	Nut, Flangelock, 5/16-18
18.	913-0367	Endless Chain, #420 x 50 Links
19.	913-0484	Endless Chain, #50 x 54 Links
20.	716-0865	Snap Ring, .500
21.	717-0853A	Clutch Collar
22.	717-1582	Gear Spur, 44T
23.	717-1583	Gear Spur, 30T
24.	717-1584	Gear Spur, 30T
25.	717-1585	Gear Spur, 44T
26.	717-1587	Gear Spur, 44T
27.	717-1594	Gear Spur, 16T

Ref.	Part Number	Description
28.	921-0378	Shaft Seal, 1.0
29.	721-0379	Shaft Seal, .75
30.	786-0238	Positioner Gear Bracket
31.	726-0277	Tapered Cap Plug
32.	932-0496	Compression Spring, .230 OD
33.	936-0163	Washer, Flat, 1.03 x 1.62 x .03
34.	936-0171	Washer, Lock, 7/16
35.	936-0226	Washer, Flat,.474 x .879 x .064
36.	936-0351	Washer, Flat, .760 ID x 1.50 OD
37.	736-0407	Washer, Bell,.45 x 1.00 x .062
38.	736-0518	Washer, Thrust, .445 x 1.92 x .060
39.	736-3088	Washer, Flat,1.595 x .635 x .062
40.	686-04129-0637	LH Chain Case Housing
41.	950-0671	Spacer, .75 x 2.0 x .50
42.	738-0645	Shaft Detent, .5 DIA
43.	738-0648	Shaft, Jack, .625 x 2.385
44.	738-1013	Shaft, Jack, .6250 x 5.0050
45.	941-0600	Ball Bearing, 17 x 40 x 12:6203
46.	941-0420	Flange Bearing, 1.0 x 2.5 x 1.38
47.	741-0421	Flange Bearing, .75 x 2.5 x 1.38
48.	941-0563	Ball Bearing, 17 x 40 x 12:6203
49.	741-0862	Ball, Detent, .250
50.	750-0258	Spacer, .315 x .750 x .375 LG
51.	950-0570	Spacer, 1.0 ID x 2.0 OD x.5 LG
52.	750-0664	Spacer, .505 ID x .88 OD x .440
—	986-04074A	Gear Case Assembly Complete

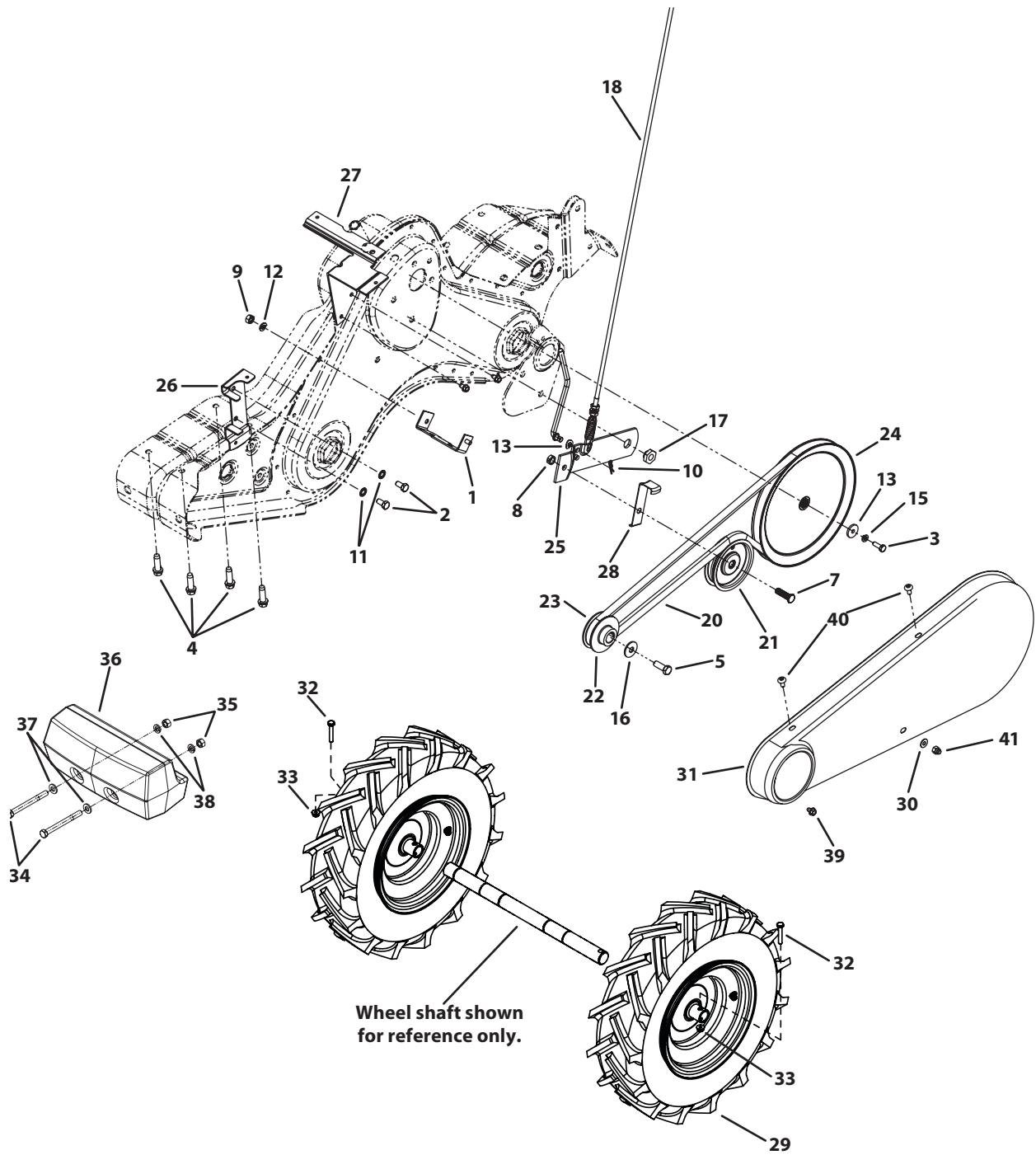
RT 65 Handle & Tine Assembly



RT 65 Handle & Tine Assembly

Ref.	Part Number	Description	Ref.	Part Number	Description
1.	747-1152	Shaft Rod	34.	712-04063	Flangelock Nut, 5/16-18
2.	649-0034-4021	Lower Handle Tube Assembly	35.	712-04065	Flangelock Nut, 3/8-16
3.	649-0041-4021	Upper Handle Assembly	36.	712-0421	Wing Nut, 5/16-18 W/ Bell Washer
4.	710-0946	Screw, 1/4-20 x 0.625	37.	926-0106	Speed Nut Cap, 1/4 ROD
5.	710-3005	Hex Head Screw, 3/8-16:1.25	38.	736-0204	Washer, Flat, .344 x .62 x .033
6.	710-3056	Hex Head Screw, 5/16-18 x 3.25	39.	938-0849	Screw, Hex, 5/16-18 x .75
7.	911-0415	Clevis Pin, .375 X 1.75	40.	747-0432	Tiller Flap Rod
8.	712-0324	Hexlock Nut, 1/4-20	41.	750-0885A	Spacer, .322 x .625 x 2.00
9.	712-0379	Flangelock Nut, 3/8-24	42.	786-0090A-4021	Side Shield
10.	912-0429	Hexlock Nut, 5/16-18	43.	786-0113A-4021	Rear Tine Shield
11.	714-0147	Cotter Pin, .125 X 1.75 INTERNAL	44.	786-0176-4021	RH Handle Mount Bracket
12.	720-0210A	Small Tee Knob	45.	786-0177-4021	LH Handle Mount Bracket
13.	720-0278A	Foam Grip, .970 x 11.0	46.	786-0178A-4021	Tine Shield
14.	720-0313	Grip, .1875 x 1.00	47.	786-0179-0637	FRT Tine Shield Bracket
15.	726-0273	Battery Clamp, 5/16	48.	786-0180-0637	FRT Tine Shield Spacer Bracket
16.	726-0317	Cable Tie, 8.5 LG	49.	686-0109A	Shift Crank Assembly
17.	735-0246A	End Plug	50.	710-1017	Screw, ¼-14 x .625
18.	936-0117	Washer, Flat, .385 x .620 x .033	51.	915-0120	Spiral Pin, ¾ x 1.0
19.	736-0242	Washer, Bell, .340 x .872 x .060	52.	784-0208D-4021	Shift Cover
20.	736-3090	Washer, Flat, .260 x .720 x .060	53.	911-0415	Clevis Pin
21.	938-0958	Spacer, Shoulder, .50 x .190 x .360	54.	712-3054	Hex Nut, ¾-24
22.	747-1219-0637	Clutch Bail	55.	742-0305A-0637	13" Articulating Tine
23.	784-0190	Handle Adjustment Crank	56.	938-0689	Shoulder Bolt
24.	784-0191	Hex Nut Retainer Bracket	57.	936-0253	Bell Washer, .515" ID x 1.14" OD
25.	786-0120-0637	Tiller Depth Control	58.	938-0688	Shoulder Bolt
26.	786-0181-4021	Shaft Rod Lever	59.	784-0160-0637	Tine Adapter Assembly, 18"
27.	735-0127	Washer, Rubber, .33 ID x .125	60.	714-04043	Internal Cotter Pin
28.	914-0104	Cotter Pin, .072 x 1.12 LG	61.	936-0169	Lock Washer
29.	686-0044B-4021	End Cover Assembly	62.	784-0161-0637	Tine Adapter Plate
30.	710-0176	Hex Head Screw, 5/16-18 x 2.75	63.	731-07556	Cap
31.	710-3008	Hex Head Screw, 5/16-18 x .75	64.	936-0208	Washer, Flat, .51 x 1.5 x .07
32.	710-3022	Hex Head Screw, 3/8-16 x 2.75	65.	710-1307	Stud, 5/16-18 x .75
33.	710-04482	Hex Head Flange, 3/8-16 x .875			

RT 65 Drive System

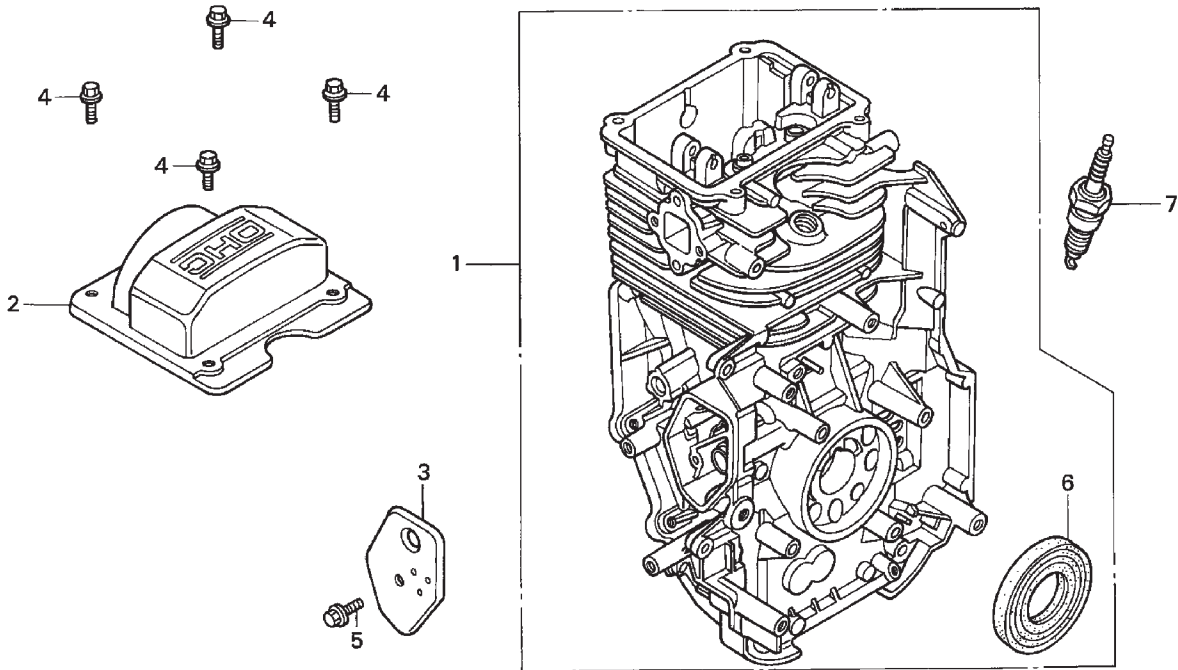


RT 65 Drive System

Ref.	Part Number	Description
1.	686-0111-0637	Belt Cover Bracket Assembly
2.	710-0237	Hex Bolt, $\frac{5}{16}$ -24 x .62"
3.	710-0412	Hex Bolt, $\frac{1}{4}$ -28 x .75"
4.	710-0520	Hex Washer Screw, $\frac{3}{8}$ -16 x 1.50"
5.	710-1039	Hex Bolt, $\frac{3}{8}$ -24 x 1.0
6.	710-0599	Hex Washer Screw
7.	710-3005	Hex Cap Screw, $\frac{3}{8}$ -16 x 1.25
8.	712-0266A	Lock Jam Nut, $\frac{3}{8}$ -16
9.	912-0267	Hex Nut, $\frac{5}{16}$ -18
10.	914-0104	Internal Cotter Pin
11.	936-0104	Hairpin Clip
12.	936-0119	Lock Washer, $\frac{5}{16}$ "
13.	936-0176	Flat Washer, .25 ID x .93 OD
14.	936-0271	Spring Washer, .317 ID x .625 OD
15.	936-0329	Lock Washer, $\frac{1}{4}$ " ID
16.	936-0452	Bell Washer, .396 ID x 1.14 OD
17.	938-0876	Shoulder Nut, $\frac{7}{16}$ -20
18.	746-1117	Clutch Cable
19.	747-1159	Idler Pulley Rod
20.	954-0434	V-Belt
21.	756-0405	Flat Idler w/ Flange, 3.75 OD

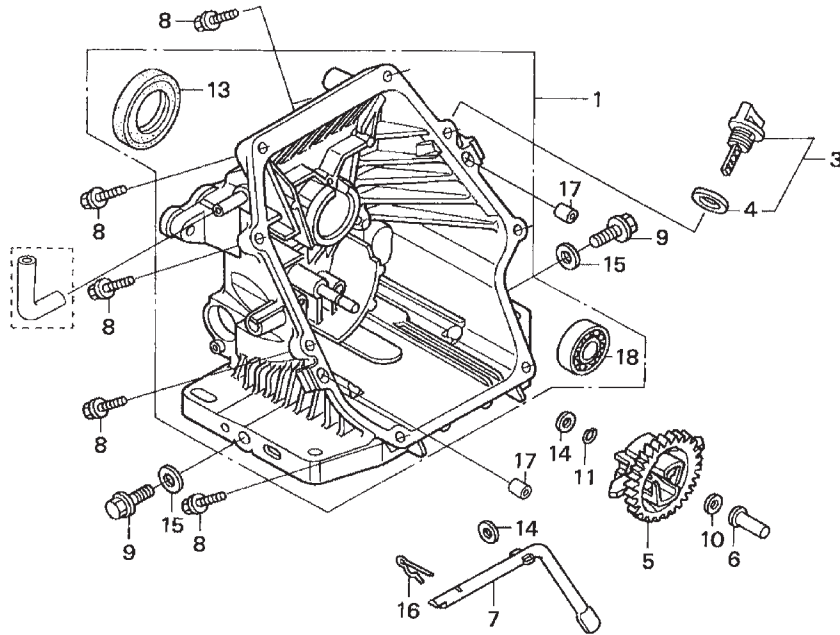
Ref.	Part Number	Description
22.	756-0971	Outer Engine Pulley Half
23.	756-0972	Inner Engine Pulley Half
24.	756-1162	Input Pulley
25.	786-0064A	Idler Bracket
26.	786-0185A-0637	Belt Keeper Bracket
27.	786-0187-0637	Shift Cover Bracket
28.	786-0193-0637	Idler Belt Keeper
29.	934-04231	Wheel Assembly, 16.0 x 4.6 x 8
30.	936-3020	Flat Washer, .271 ID x .630 OD
31.	784-0158A-4021	Belt Cover
32.	710-0606	Hex Head Screw, $\frac{1}{4}$ -20
33.	712-04064	Flange Lock Nut, $\frac{1}{4}$ -20
34.	710-0382	Hex Bolt, $\frac{1}{2}$ -13 x 5.0
35.	912-0206	Hex Nut, $\frac{1}{2}$ -13
36.	723-0381	Counterweight, 40 lbs.
37.	936-0326	Flat Washer
38.	936-0921	Lock Washer, $\frac{1}{2}$
39.	710-0653	Hex Screw, $\frac{1}{4}$ -20 x .375
40.	710-1017	Screw, $\frac{1}{4}$ -14 x .625
41.	712-0392	Lock Nut

RT 65 Honda GCV190LA Cylinder



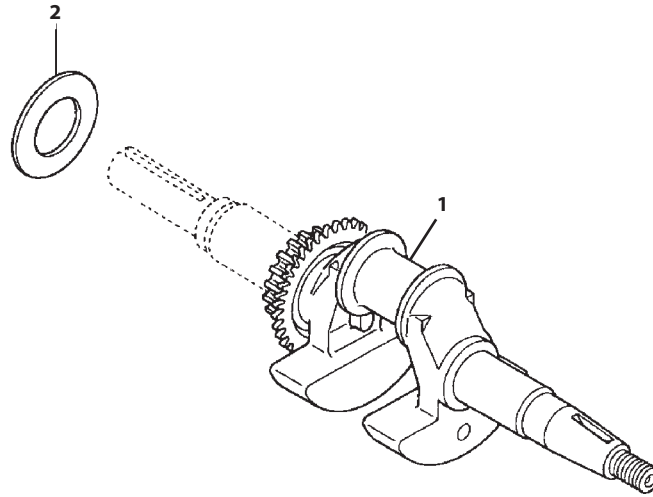
Ref.	Part Number	Description
1.	12000-Z0Y-415	Cylinder Assembly
2.	12310-Z0J-000	Head Cover
3.	12355-ZL8-000	Breather Cover , Valve Assembly
4.	90013-883-000	Flange Bolt, 6 X 12
5.	90014-952-000	Flange Bolt, 6 X 14
6.	91201-Z0Y-003	Oil Seal, 25.4 X 62 X 6
7.	98079-56846	Spark Plug (BPR6ES NGK)

RT 65 Honda GCV190LA Crankcase Cover



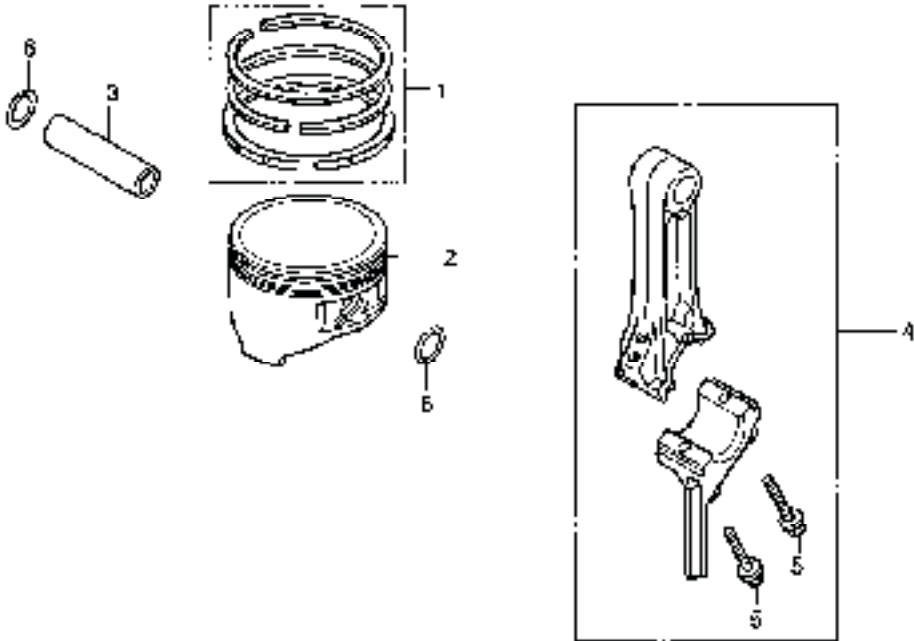
Ref.	Part Number	Description
1.	11300-Z0Y-Y06	Crankcase Cover Assembly
3.	15650-Z0L-000	Oil Filler Cap Assembly
4.	15625-ZE6-000	Oil Filler Cap Gasket
5.	16510-ZM0-010	Governor Assembly
6.	16531-ZE1-000	Governor Slider
7.	16541-ZM0-000	Governor Arm Shaft
8.	90121-952-000	Flange Bolt, 6 x 25
9.	90131-883-000	Drain Plug Bolt
10.	90451-ZE1-000	Thrust Washer, 6mm
11.	90602-ZE1-000	Governor Holder Clip
13.	91202-ZL8-003	Oil Seal, 28 x 41.25 x 6
14.	94101-06800	Plain Washer, 6mm
15.	94109-12000	Drain Plug Washer, 12mm
16.	94251-08000	Lock Pin, 8mm
17.	94301-08200	Dowel Pin, 8 x 20

RT 65 Honda GCV190LA Crankshaft



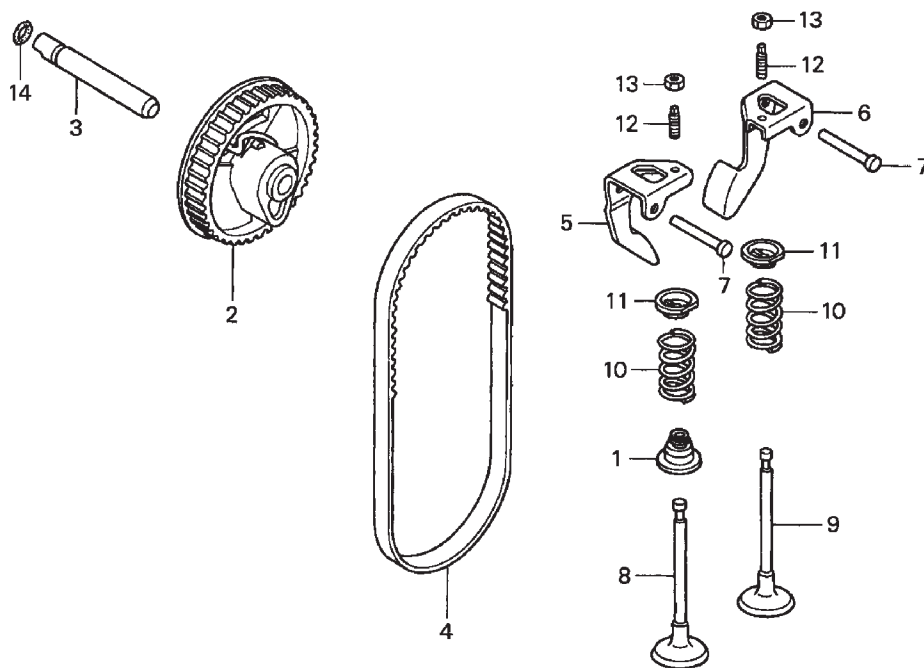
Ref.	Part Number	Description
1.	13310-Z0Y-610	Crankshaft (M-Type)
2.	90402-ZL8-000	Thrust Washer

RT 65 Honda GCV190LA Piston



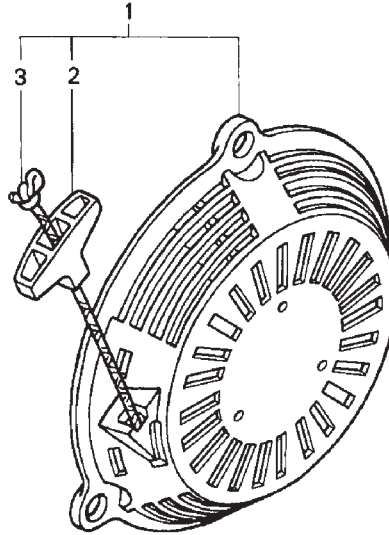
Ref.	Part Number	Description
1.	13010-Z0Y-014	Piston Ring Set (Teikoku)
2.	13101-Z0Y-010	Piston
3.	13111-Z0Y-000	Piston Pin
4.	13200-Z0Y-000	Connecting Rod Assemblt
5.	90001-ZE1-000	Connecting Rod Bolt
6.	90551-ZE0-000	Piston Pin Clip, 13mm

RT 65 Honda GCV190LA Camshaft



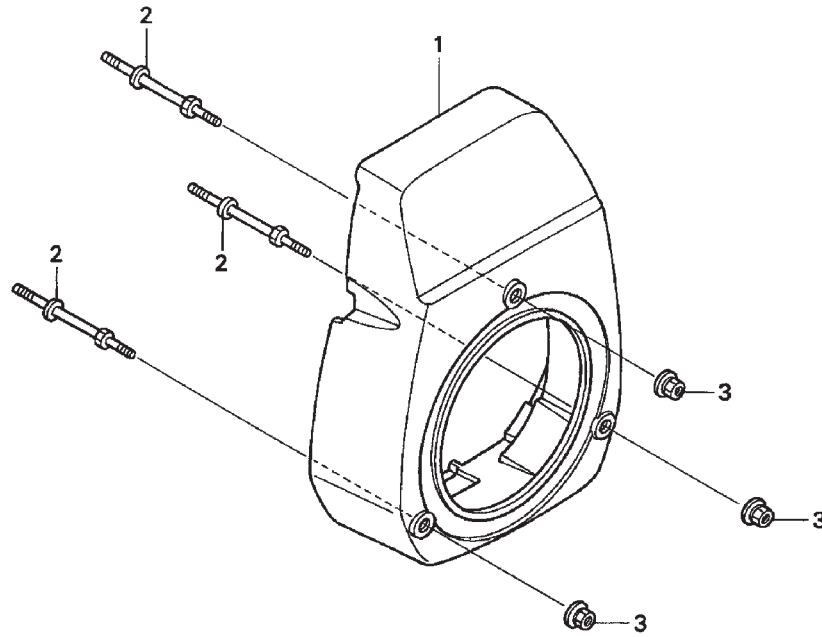
Ref.	Part Number	Description
1.	12209-ZM0-003	Valve Stem Seal
2.	14320-Z0Y-000	Cam Pulley
3.	14324-ZL8-000	Cam Pulley Shaft
4.	14400-Z0J-014	Timing Belt, 84HU& G-200
5.	14431-Z0J-000	Internal Valve Rocker Arm
6.	14441-Z0J-000	External Valve Rocker Arm
7.	14461-ZL8-000	Rocker Arm Shaft
8.	14711-Z0J-000	Internal Valve
—	14711-Z0J-000	Internal Valve
9.	14721-ZL8-000	External Valve
10.	14751-ZL8-000	Valve Spring
11.	14777-Z0J-000	Internal Valve Spring Retainer
12.	90012-333-000	Tappet Adjustable Screw
13.	90206-001-000	Tappett Adjustble Nut
14.	91301-ZM0-V31	O-Ring, 6.8 x 1.9

RT 65 Honda GCV190LA Recoil Starter



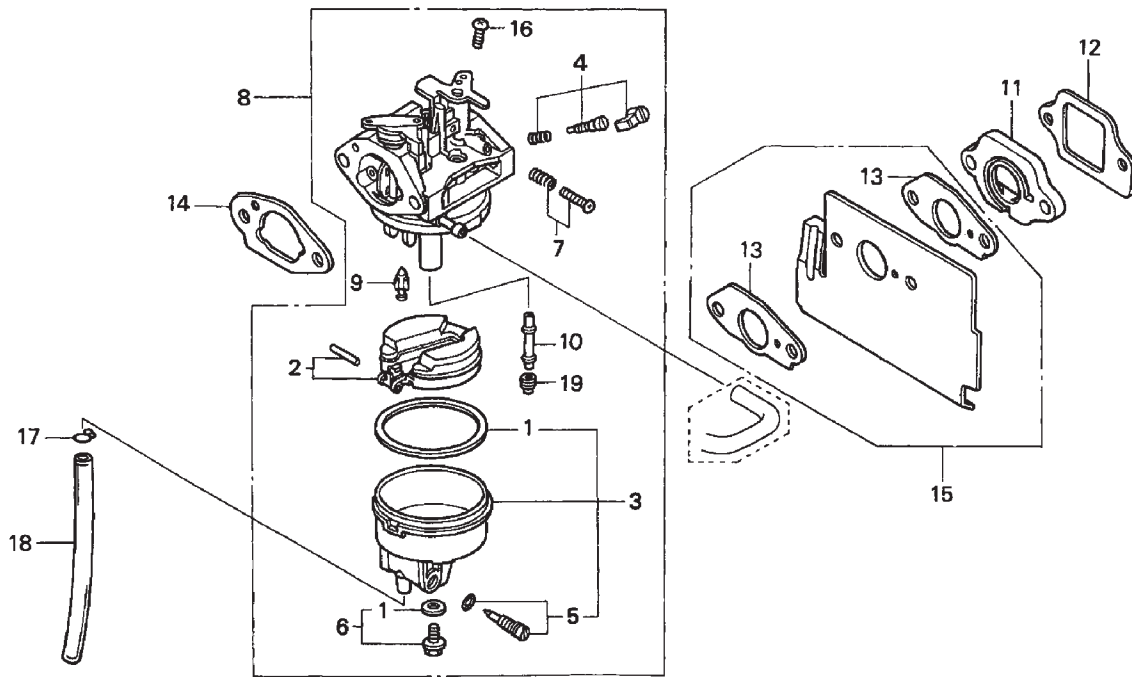
Ref.	Part Number	Description
1.	28400-Z0Y-V202A	Recoil Starter Assembly (Black)
—	28400-Z1A-013ZB	Recoil Starter Assembly (Power Red)
2.	28461-ZL8-003	Recoil Starter Knob
3.	28462-ZL8-003	Recoil Starter Rope, #3.5 x 52"

RT 65 Honda GCV190LA Fan Cover



Ref.	Part Number	Description
1.	19610-Z0L-851ZA	Fan Cover (Black)
—	19610-Z0L-850ZE	Fan Cover (Power Red)
2.	90043-ZL8-000	Stud Bolt
3.	19619-ZL8-300	Flange Nut, 6mm

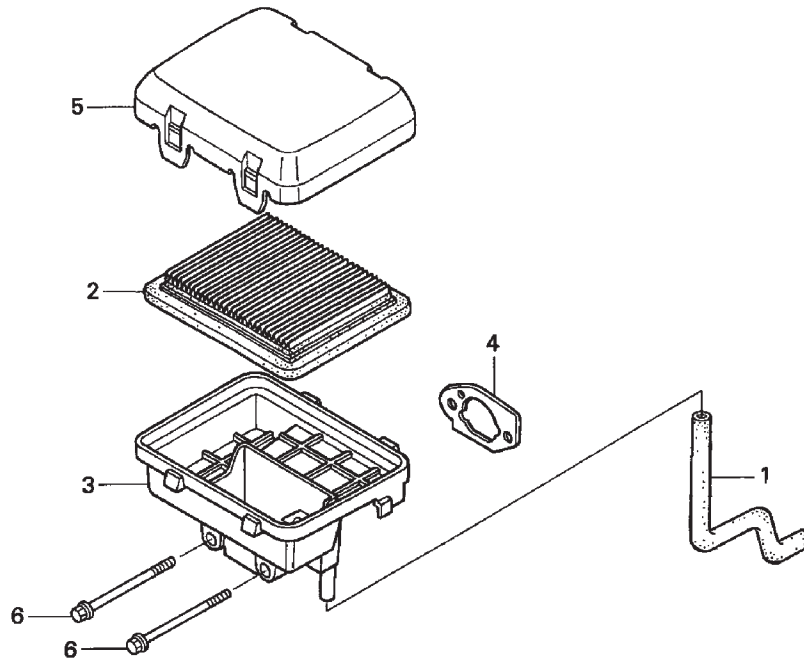
RT 65 Honda GCV190LA Carburetor



Ref.	Part Number	Description
1.	16010-883-015	Gasket Set
2.	16013-ZL1-003	Float Set
3.	16015-887-782	Float Chamber Set
4.	16016-ZG0-W00	Screw Set
5.	16024-ZE1-811	Drain Screw Set
6.	16028-ZE0-005	Screw Set B
7.	16029-ZG0-901	Screw Set
8.	16100-Z0Y-821	Carburetor Assembly, BB65C A
9.	16155-ZM0-013	Float Valve
10.	16166-Z1A-003	Main Nozzle
11.	16211-ZL8-000	Carburetor Insulator

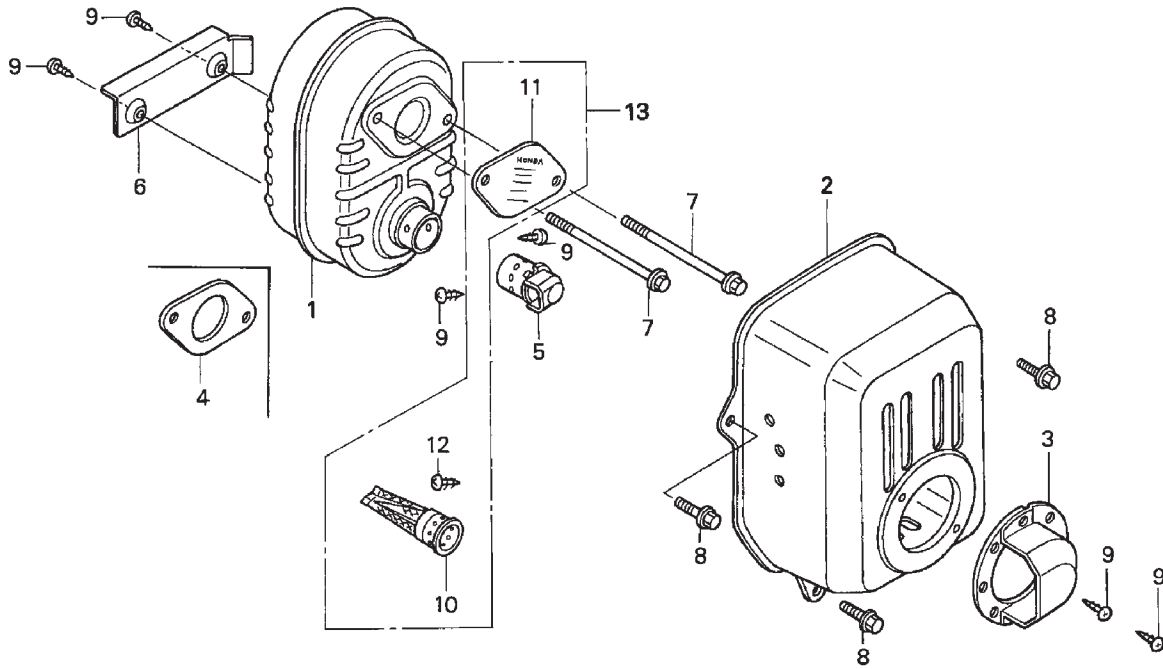
Ref.	Part Number	Description
12.	16212-ZL8-000	Insulator Gasket
13.	16221-887-800	Carburetor Gasket
14.	16228-ZL8-000	Carburetor Gasket (Choke Side)
15.	19650-ZM0-000	Air Guide
16.	93500-05006-1H	Pan Screw, 5 x 6
17.	95002-02080	Tube Clip, B8
18.	95003-07008-60M	Vinyl Bulk Hose (4X7X8000, 4X7X150)
19.	99101-124-0650	Main Jet, #70
—	99101-124-0650	Main Jet, #65
—	99101-124-0680	Main Jet, #68

RT 65 Honda GCV190LA Air Filter



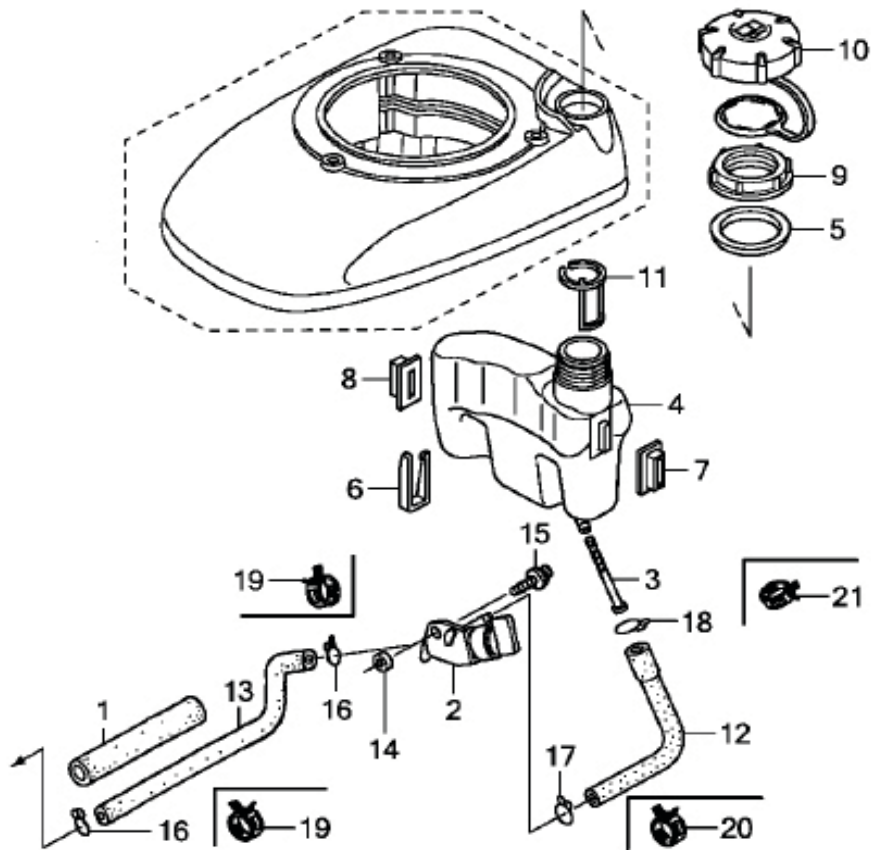
Ref.	Part Number	Description
1.	15721-ZM0-000	Breather Tube
2.	17211-ZL8-023	Air Cleaner Element
3.	17220-ZM0-020	Air Cleaner Housing
4.	17228-ZM0-000	Air Cleaner Gasket
5.	17231-Z0L-040	Air Cleaner Cover
6.	90003-ZM0-000	Flange Bolt, 6 x 112

RT 65 Honda GCV190LA Muffler



Ref.	Part Number	Description
1.	18310-Z0J-000	Muffler
2.	18321-Z0L-000	Muffler Protector
4.	18381-ZL8-305	Muffler Gasket
6.	19664-ZL8-000	Muffler Shroud
7.	90004-ZL8-000	Flange Bolt, 6 x 79
8.	90013-883-000	Flange Bolt, 6 x 12
9.	90055-ZE1-000	Tapping Screw, 4 x 6
10.	18350-ZL8-000	Spark Arrester
11.	18356-ZL8-000	Arrester Number Plate
12.	90055-ZE1-000	Tapping Screw, 4 x 6
13.	06180-Z0J-000	Spark Arrester Kit

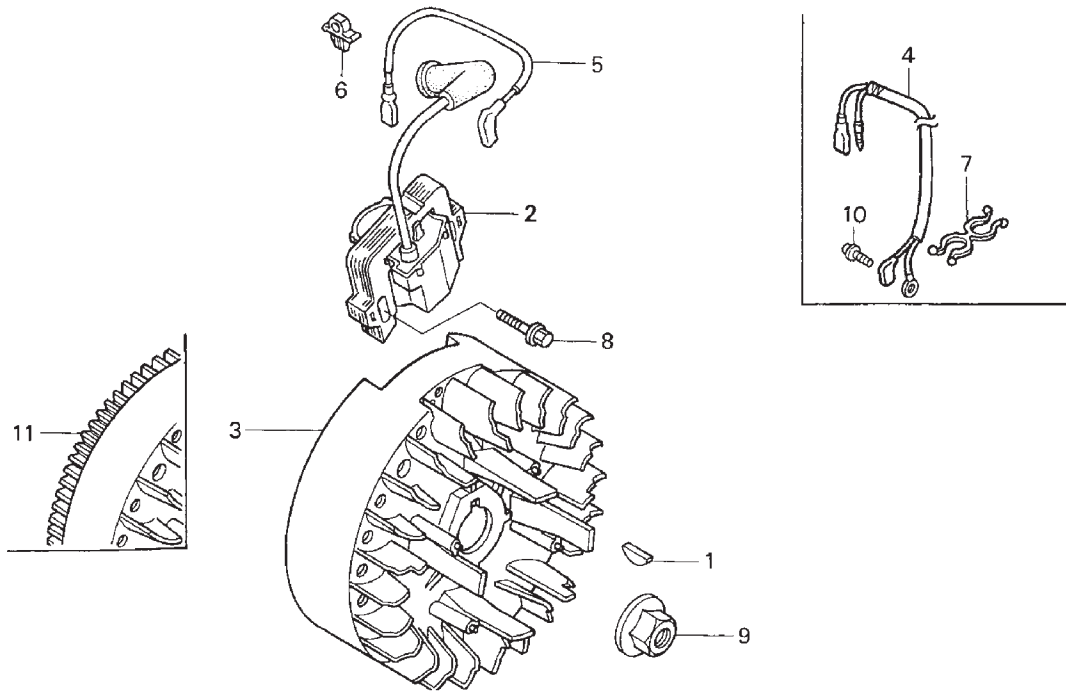
RT 65 Honda GCV190LA Fuel System



Ref.	Part Number	Description
1.	16854-ZH8-000	Supporter Rubber, 107mm
2.	16950-ZM0-003	Fuel Pump Assembly
3.	16952-ZA8-800	Fuel Strainer
4.	17511-Z0L-010	Fuel Tank
5.	17514-Z0L-000	Fuel Filler Neck Seal
6.	17516-Z0L-000	Tank Mounting Clip
7.	17532-Z0L-000	Tank Mounting Rubber, A
8.	17533-Z0L-000	Tank Mounting Rubber, B
9.	17534-Z0L-000	Tank Mounting Nut
10.	17620-Z0J-800	Fuel Cap Assembly
11.	17636-Z0L-000	Fuel Level Gauge

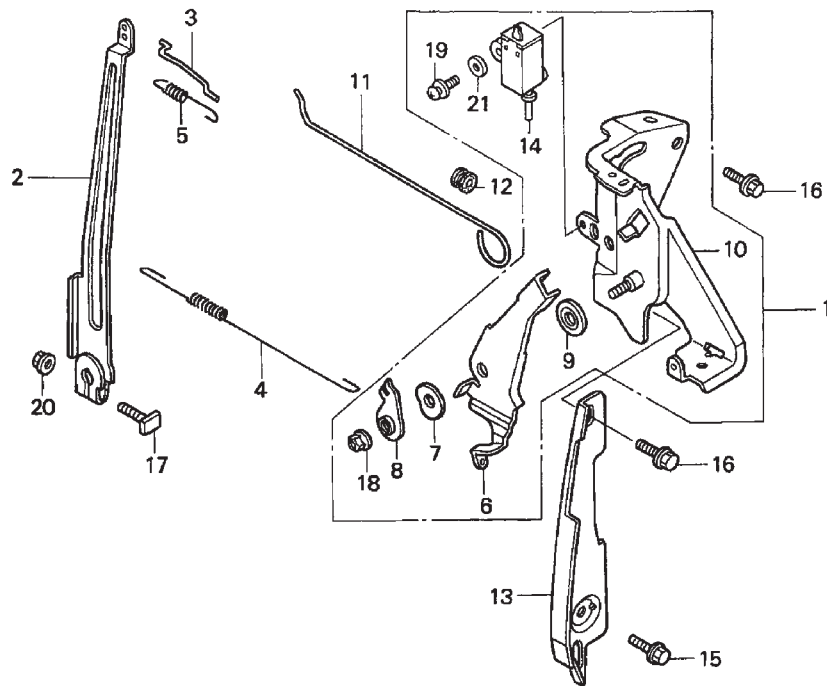
Ref.	Part Number	Description
12.	17701-Z0L-810	Fuel Tank Tube
13.	17702-ZM0-800	Fuel Tube
14.	33609-GK4-620	Collar
15.	93891-05010-08	Screw-Washer, 5 x 10
16.	95002-02080	Tube Clip, B8
17.	95002-02100	Tube Clip, B10
18.	95002-7000	Tube Clip, C11
19.	95002-40800-08	Tube Clamp, D8
20.	95002-41000-08	Tube Clamp, D10
21.	95002-41200-08	Tube Clamp, D12

RT 65 Honda GCV190LA Flywheel



Ref.	Part Number	Description
1.	13331-357-000	Special Woodruff Key, 25 x 18
2.	30500-Z0J-003	Ignition Coil Assembly
3.	31105-Z0Y-010	Flywheel
5.	32195-ZM0-800	Stop Switch Wire
6.	51125-Z0L-003	Stop Switch Wire Holder
8.	90022-888-010	Flange Bolt, 6 x 20
9.	90213-S3Y-000	Flange Nut, 14mm

RT 65 Honda GCV190LA Controls



Ref.	Part Number	Description
1.	16500-ZL8-000	Control Assembly
2.	16551-ZM0-010	Governor Arm
3.	16555-Z0L-800	Governor Rod
4.	16561-ZM0-V30	Governor Spring
5.	16562-ZM0-000	Throttle Return Spring
6.	16612-ZM0-V30	Control Lever
7.	16574-ZE1-000	Lever Spring
8.	16575-ZE2-W00	Control Lever Washer
9.	16578-ZE1-000	Control Lever Spacer
10.	16580-Z0L-810	Control Base
11.	16674-ZM0-V30	Choke Control Rod

Ref.	Part Number	Description
12.	16613-893-000	Choke Rod Grommet
13.	19612-ZL8-000	Side Plate
14.	35120-ZL8-003	Engine Stop Switch Assembly
15.	90013-883-000	Flange Bolt, 6 x 12
16.	90014-952-000	Flange Bolt, 6 x 14
17.	90015-ZE5-010	Governor Arm Bolt
18.	90114-SA0-000	Self-lock Nut, 6mm
19.	93892-04012-00	Screw-Washer, 4 x 12
20.	94050-06000	Flange Nut, 6mm
21.	94103-04000	Plain Washer, 4mm



To order replacement parts, call a Customer Support Representative at (800) 965-4CUB.
Locate your nearest Cub Cadet dealer at (877) 282-8684
or visit www.cubcadet.com to find the nearest Cub Cadet dealer in your area.

CUB CADET LLC, P.O. BOX 361131 CLEVELAND, OHIO 44136-0019
