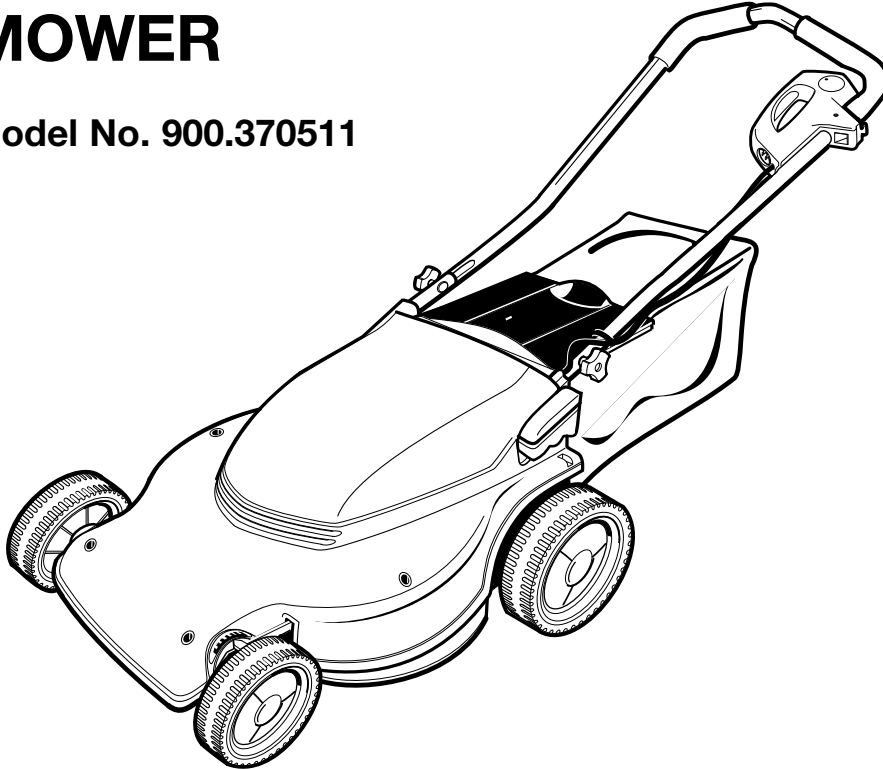


Instruction Manual



120 Volt **CONVERTIBLE MULCHING MOWER**

Model No. 900.370511



▲ WARNING:

Before using this product,
read this manual and follow
all its **Safety Rules** and
Operating Instructions.

- **Safety**
- **Assembly**
- **Operation**
- **Maintenance**
- **Parts List**
- **Español Pág. 17**

Sears, Roebuck and Co., Hoffman Estates, IL 60179 USA
www.sears.com/craftsman

TABLE OF CONTENTS

Warranty	2	Product Specifications	13
Safety Instructions	2	Service and Adjustments	13
Maintenance	4	Storage	13
Assembly	5	Troubleshooting	14
Operation	7	Illustrated Parts List	15,16
Maintenance Schedule	12	Español	17

WARRANTY

LIMITED TWO YEAR WARRANTY ON CRAFTSMAN POWER MOWER

For two years from date of purchase, when this Craftsman Power Mower is maintained, lubricated, and tuned up according to the operating and maintenance instructions in the owner’s manual, Sears will repair any defect in material or workmanship free of charge.

If this Craftsman Lawn Mower is used for commercial or rental purposes, this warranty applies for only 90 days from the date of purchase.

This Warranty does not cover:

- Expendable items which become worn during normal use, such as rotary mower blades, blade adapters, and belts.
- Repairs necessary because of operator abuse or negligence, including bent crankshafts and the failure to maintain the equipment according to the instructions contained in the owner’s manual.

WARRANTY SERVICE IS AVAILABLE BY returning the Craftsman power mower to the nearest Sears Service Center in the United States. This warranty applies only while this product is in use in the United States.

This Warranty gives you specific legal rights, and you may also have other rights which vary from state to state.

SEARS, ROEBUCK AND CO., DEPT. 817 WA, HOFFMAN ESTATES, IL 60179

GENERAL SAFETY RULES

⚠ WARNING: Do not attempt to operate this mower until you thoroughly read and completely understand all instructions, safety rules, etc. contained in this manual. Failure to comply can result in accidents involving fire, electric shock, or serious personal injury. Save Owner’s Manual and review frequently for continuing safe operation and instructing others who may use this mulching mower.

Safety standards require an Operator Presence Control Switch to minimize the risk of injury. Your unit is equipped with such a Control Switch. Do not attempt to defeat its function under any circumstances.

⚠ WARNING: Some dust created by this product contains chemicals known to the State of California to cause cancer,

birth defects or other reproductive harm. Some examples of these chemicals are:

- compounds in fertilizers
- compounds in insecticides, herbicides and pesticides
- arsenic and chromium from chemically treated lumber

To reduce your exposure to these chemicals, wear approved safety equipment such as dust masks that are specially designed to filter out microscopic particles.

⚠ WARNING: This product contains chemicals, including lead, known to the State of California to cause cancer, and birth defects or other reproductive harm. Wash hands after handling.

⚠ CAUTION: Wear appropriate personal hearing protection during use. Under some conditions and duration of use, noise from this product may contribute to hearing loss.

TRAINING:

- Read this operator's manual carefully. Become familiar with the controls and know how to operate your mower properly. Learn how to quickly stop mower.
- Avoid dangerous environments. Do not use your mower in the rain or in damp or wet locations. Do not operate it in gaseous or explosive atmospheres. Motors normally spark and sparks may ignite fumes.
- Do not allow children to use your mower. Never allow adults to use mower without proper instructions.
- Keep the area of operation clear of all persons, especially small children and pets.
- Use mower only as described in this manual.
- Do not operate mower if it has been dropped or damaged in any manner. Always have damage repaired before using your mower.
- Do not operate mower without the recommended extension cord. Ensure that the cord is in good condition before starting mower.
- Do not use accessory attachments that are not recommended in this manual. Use of such attachments may be hazardous.
- The blade always turns when the motor is running.
- Avoid accidental starting. Do not play with the Operator Presence Control switch when mower is not in use.

PREPARATION:

- Always thoroughly check the area to be mowed and clear it of all stones, sticks, wires, bones, and other foreign objects. These objects will be thrown by the blade and can cause severe injury.
- Always wear safety glasses or eye shields when starting and while using your mower.
- Dress properly. Do not operate mower when barefoot or wearing open sandals. Wear only solid shoes with good traction when mowing.
- Always make wheel height adjustments before starting your mower. Do not attempt to do this while the mower is running.

- Mow only in daylight or good artificial light.
- Do not plug mower in until it is ready to be used.
- Protect your lungs. Wear a face or dust mask if mowing operation is dusty.
- Remove all adjusting wrenches from mower before turning it on.

OPERATION:

The operation of any lawn mower can result in foreign objects thrown into the eyes, which can result in severe eye damage. Always wear safety glasses or eye shields while operating your lawn mower or performing any adjustments or repairs. We recommend a wide vision safety mask over the spectacles or standard safety glasses with side shields, available at Sears.

- Keep your eyes and mind on your mower and the area being cut. Do not let other interests distract you.
- Do not mow wet or slippery grass. Never run while operating your mower. Always be sure of your footing – keep a firm hold on the handles and walk.
- Do not put hands or feet near or under rotating parts. Keep clear of the discharge opening at all times.
- Always stop the motor whenever you leave or are not using your mower, or before crossing driveways, walks, roads, and any gravel-covered areas.
- Never direct discharge of material toward bystanders or allow anyone near the mower while you are operating it.
- Guard against electric shock. Repair or replace damaged mower cord or extension cord immediately.
- Don't abuse the cord. Never pull lawnmower by the cord. Disconnect by gently pulling the plug, not the cord.
- Before cleaning, inspecting, or repairing your mower, stop the motor and make absolutely sure the blade and all moving parts have stopped. Then unplug the cord to prevent accidental starting.
- If lawn mower strikes a foreign object, follow these steps:
 - i) Stop lawn mower. Release the switch.
 - ii) Unplug power cord.
 - iii) Inspect for damage.

iv) Repair any damage before restarting and operating the lawn mower.

- Do not operate your mower if it vibrates abnormally. Excessive vibration is an indication of damage; stop the motor and safely check for the cause of vibration. Repair as required.
- Do not run the motor indoors.
- Never cut grass by pulling the mower towards you. Mow across the face of slopes, never up and down or you might lose your footing. Do not mow excessively steep slopes. Use caution when operating the mower on uneven terrain or when changing directions – maintain good footing.
- Never operate your mower without proper guards, plates or other safety devices in place.
- Don't force the mower. It will do the job better and safer at the rate for which it is designed. When mowing on rough surfaces or in high grass, select a higher cutting position.
- Don't overreach. Keep proper footing and balance at all time.
- Stay alert. Watch what you are doing and use common sense. Do not operate mower when you are tired. Do not run or rush when mowing.
- Do not operate mower while under the influence of drugs, alcohol, or any medication. Attempting to do so can result in serious injury.
- Keep away from blade area. Be aware of the risk of injury. Keep hands and feet away from the blade.
- **DANGER:** DO NOT attempt to remove cut material or unclog debris from under mower deck while blade is moving, or you will be seriously injured.
- If mower stalls, release operator presence control switch and wait for blade to stop rotating. Unplug cord before attempting to remove anything from under mower deck. Thoroughly inspect and have any damage repaired before restarting and operating mower.

MAINTENANCE AND STORAGE:

- Check the blade and the motor mounting bolts often to be sure they are tightened properly.
- Check all bolts, nuts and screws at frequent intervals for proper tightness to be sure mower is in safe working condition.
- Keep all safety devices in place and working.
- To reduce fire hazard, keep the motor free of grass, leaves or excessive grease and oil.
- Always keep the blade on your mower sharp.
- Allow motor to cool before storing in any enclosure.
- Keep mower dry and clean. Always use a clean damp cloth when cleaning. Never use brake fluids, gasoline, petroleum-based products, solvents, or water to clean mower.
- Do not mow if switch does not turn mower on and off. Have defective switch replaced at Sears Service Center.
- Check damaged parts. Before further use of the mower, a guard or other part that is damaged should be carefully checked to determine that it will operate properly and perform its intended function. Check for alignment of moving parts, binding of moving parts, breakage of parts, and any other conditions that may affect mower operation. A guard or other part that is damaged should be properly repaired or replaced by a qualified service technician.
- When servicing use only identical Craftsman replacement parts. Servicing of this mower should be performed only by a qualified service technician. For repair service we suggest you return mower to your nearest Sears Service Center.
- When replacing blade, use only identical Craftsman replacement blade. Use of any other blade may result in serious personal injury or damage to your mower.
- Store mower inside. When not in use, mower should be stored indoors in a garage, basement, etc. Storage area should be a dry, locked-up place – out of reach of children.

- Maintain mower with care. Keep blade sharp and clean for best and safest performance. Follow instructions for lubricating and changing accessories.

DOUBLE INSULATION

Your Mower is DOUBLE INSULATED to give you added safety. This means that it is constructed throughout with TWO separate “layers” of electrical insulation, or one DOUBLE thickness of insulation between you and the tool’s electrical system.

Tools built with this insulation system are not intended to be grounded. As a result, your mower is equipped with a two-prong plug which permits you to use extension cords without concern for maintaining a ground connection.

NOTE: DOUBLE INSULATION does not take the place of normal safety precautions when operating this mower. The insulation system is for added protection against injury resulting from a possible electrical insulation failure within the tool.

CAUTION: Repair or replace damaged cords immediately. Use only identical Craftsman replacement parts.

POLARIZED PLUG

To reduce the risk of electric shock, this mower has a polarized plug (one blade is wider than the other). This mower must be used with a suitable polarized 2 wire or 3 wire extension cord. Polarized connections will fit together only one way. Make sure that the receptacle end of the extension cord has large and small blade slot widths. If the plug does not fit fully into the extension cord receptacle, reverse the plug. If it still does not fit, obtain a suitable extension cord. If the extension cord does not fit fully into the outlet, contact a qualified electrician to install the proper outlet. Do not change the tool plug or extension cord in any way.

EXTENSION CORDS

Double-insulated tools have 2 wire cords, and can be used with 2 wire or 3 wire extension cords. Only round jacketed extension cords should be used, and we recommend that they be listed by Underwriters Laboratories (U.L.)

WARNING: To prevent electric shock use only with an extension cord suitable for outdoor use, such as SW-A, SJOW-A, SOW-A, STW-A, STOW-A, SJW-A,

SJTW-A or SJTOW-A.

An extension cord must have adequate wire size (AWG or American Wire Gauge) for safety, and to prevent loss of power and overheating. The smaller the gauge number of the wire, the greater the capacity of the cable; that is, 16 gauge has more capacity than 18 gauge. When using more than one extension to make up the total length, be sure each individual extension contains at least the minimum wire size.

To determine the minimum wire size required, refer to the chart below: (Refer to your mower’s nameplate to find the Ampere Rating)

NOTE: Using any other length or rating or cord will diminish the performance and possibly the life of the electric motor.

MINIMUM GAUGE FOR CORD SETS

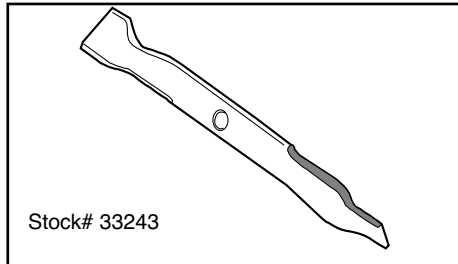
MINIMUM WIRE GAUGE RECOMMENDATIONS			
VOLTS	25 FT.	50 FT.	100 FT.
120	16 A.W.G.*	16 A.W.G.*	14 A.W.G.*

* AMERICAN WIRE GAUGE

SAVE THESE INSTRUCTIONS

REPLACEMENT BLADE

The replacement blade is stock # 33243 and is available at Sears Retail Stores and Service Centers.



ASSEMBLY

CARTON CONTENTS

- Mulching Mower (Shipped with Mulch Insert installed)
- Grassbag
- Grasscatcher frame

TO REMOVE MOWER FROM CARTON

Your mulching mower has been completely assembled at the factory except for the Grasscatcher.

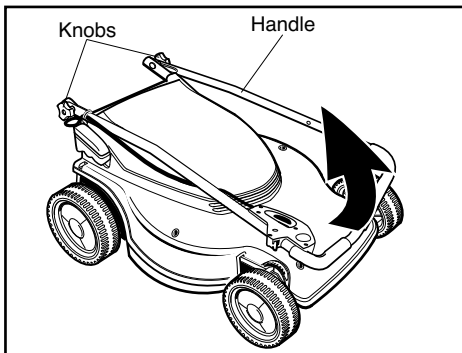
CAUTION: Do not lift the lawnmower off the ground by holding the height adjustment finger grip.

- Remove the Grasscatcher frame, Grassbag and cardboard fillers.
- Remove the mower from the carton and place all four wheels on the ground or floor.
- Check the carton thoroughly and make sure there are no loose parts.

To Unfold Handle

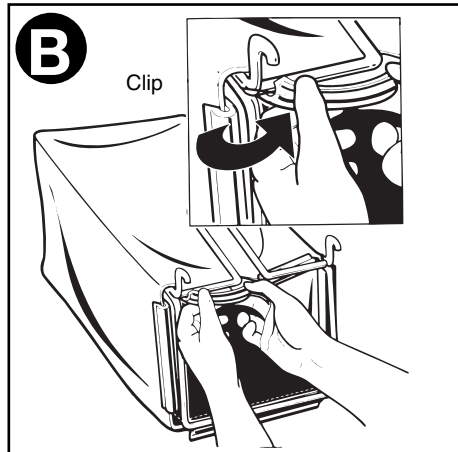
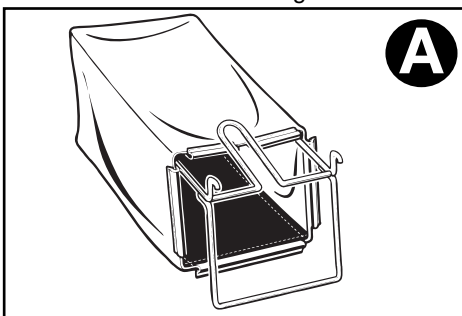
Raise the handle section into place and secure by tightening the two knobs. See figure below.

WARNING: For your own safety DO NOT use this mower without either the Grasscatcher or Mulch Insert in operating position.



GRASSCATCHER ASSEMBLY

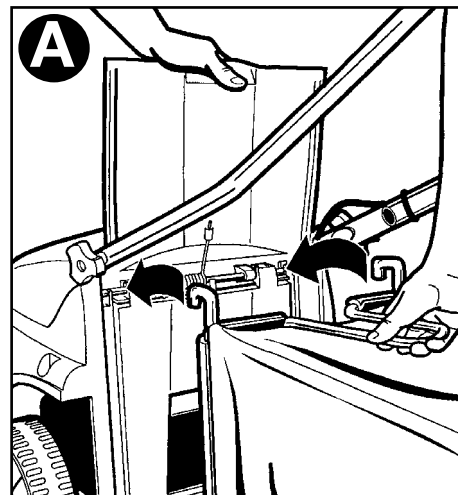
- Slide the grassbag onto the grasscatcher frame. (See Fig. A)
- The grassbag has attachment clips sewn around the bag opening.
- Attach the two top clips to the frame, then attach the side clips, and lastly the bottom clip. (See Fig. B)
- Refer to "To Install Grasscatcher" instruction before attaching to mower.



TO INSTALL GRASSCATCHER

- Reach down between the mower handle and and raise the rear door to a vertical position. (See Fig. A)
- Remove the mulch insert. See page 10 To Remove Mulch Insert.
- Pick up the grasscatcher by the handle and lower the grasscatcher between the lawnmower handles. Position the grass-catcher hanger hooks on the metal rod under the rear door. (See Fig. B).
- Release the rear door.

WARNING: Never operate the mower unless the hanger hooks on the grasscatcher are seated properly, and the rear discharge door rests firmly against the top of the grasscatcher.



OPERATION

KNOW YOUR MULCHING MOWER

READ THIS OWNER'S MANUAL AND SAFETY RULES BEFORE OPERATING YOUR MULCHING MOWER. Compare the illustrations with your mulching mower to familiarize yourself with the location of various controls and adjustments. Save this manual for future reference.

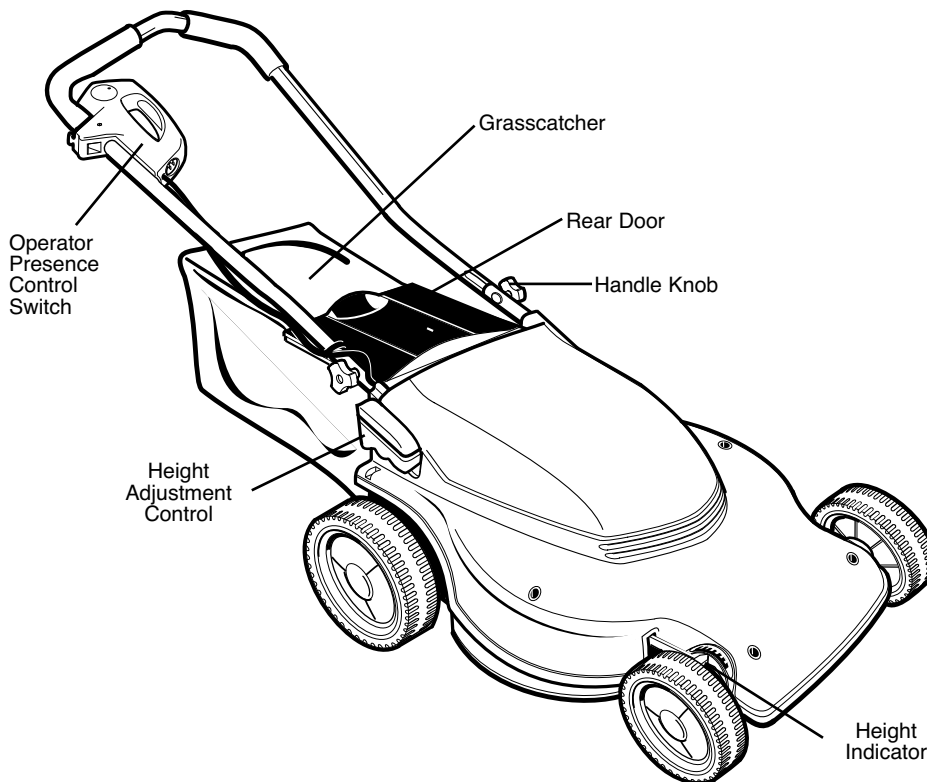
These symbols may appear on your mulching mower or in literature supplied with the product. Learn and understand their meaning.



CAUTION
OR WARNING



DANGER, KEEP HANDS
AND FEET AWAY



MEETS CPSC SAFETY REQUIREMENTS

Sears rotary walk-behind power lawn mowers conform to the safety standards of the American National Standards Institute and the U.S. Consumer Product Safety Commission.

⚠ WARNING: The blade always turns when the motor is running.

Operator Presence Control Switch – Must be held to the handle to start and run the motor. Release to stop the motor.

Door – Allows conversion from mulching or bagging operation.

Height Adjustment Control — Allows for simple one touch height adjustment of all four wheels at one time.

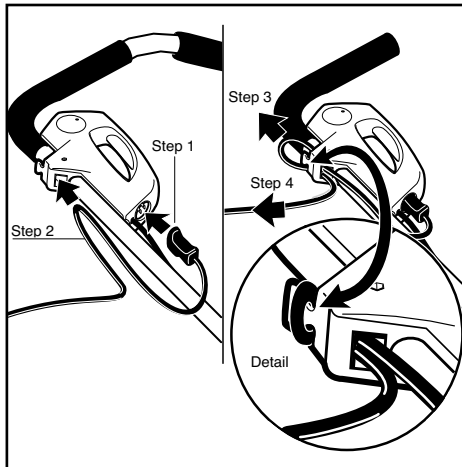
TO STOP MOWER

To stop mower fully release your grip on the operator presence control switch.

ATTACHING EXTENSION CORD TO MOWER

DO NOT connect the extension cord to power source until you have finished reading this manual and you are ready to start mowing. **Read the Polarized Plug section on page 5** before plugging the extension cord into the switch housing as shown in figure below.

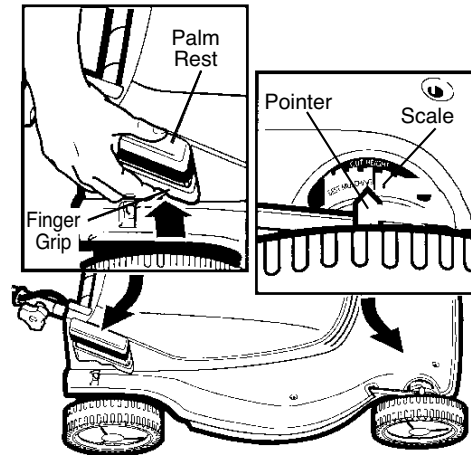
1. The extension cord must be polarized and will only plug in one way. Orient the wide slot with the wide blade in the switch housing and plug in.
2. Make a loop in the extension cord.
3. Push the loop up through the hole in the switch housing.
4. Place the loop over the strain relief tab on the switch housing. Pull the extension cord so the loop draws down around the strain relief tab as shown in the detail. Double check to see that you did not loosen the extension cord plug.



TO ADJUST CUTTING HEIGHT

- Before making any adjustments, turn off, unplug mower and wait for blade to stop rotating.
- Use the Height Adjustment Control to raise deck for high cut and lower deck for low cut.
- Adjust cutting height to suit your requirements. Medium position is best for most lawns.

- To raise or lower the cutting height, rest the palm of your hand on the palm rest and with your fingers, squeeze upward on the finger grip and hold.



- While holding the finger grip up you can raise or lower the cutting height. The mulcher has eight blade height adjustment positions. Refer to the scale and pointer at the front of the mower. The pointer will give you the height setting for cutting your lawn. This setting can be a reference for the next time you want to cut your lawn at the same height. When you have the mower at the height you like, simply release the finger grip to lock the height in.

NOTE: To ensure that the deck is securely locked in one of the eight positions, press down on the palm rest after releasing the finger grip.

OPERATOR PRESENCE CONTROL SWITCH

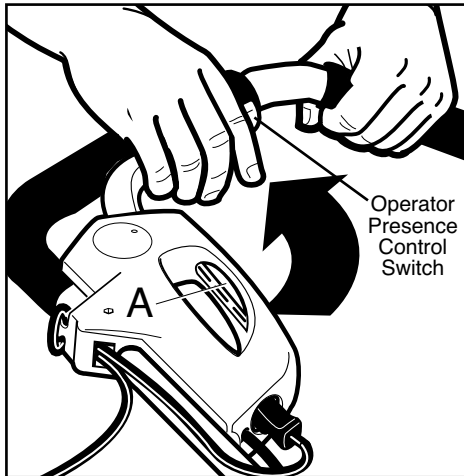
CAUTION: Federal regulations require an Operator Presence Control Switch to be installed on lawn mowers in order to minimize the risk of blade contact injury. **DO NOT** under any circumstances attempt to defeat the function of this switch.

Remember that the blade always turns when the motor is running.

The Operator Presence Control Switch is a lever that you pull back to start and run the mower. The switch requires you to be positioned behind the mower handle for mower operation.

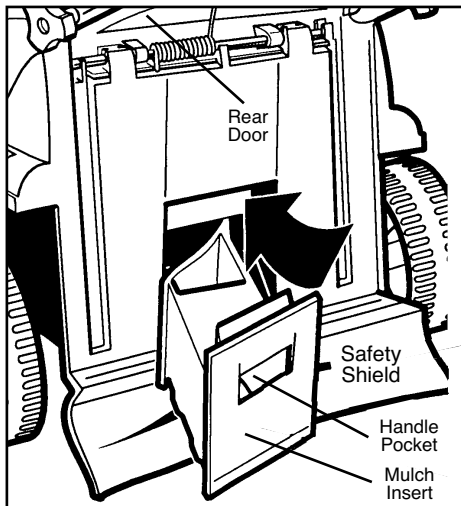
To operate the switch, insert your finger into the opening (A) and push the lever

out so that you can grab it with your other hand. Pull the lever back to turn the unit on and hold it against the mower handle to keep it running. To turn the mower off, just release the lever. The spring loaded "SNAP ACTION" lever will quickly turn the mower off.



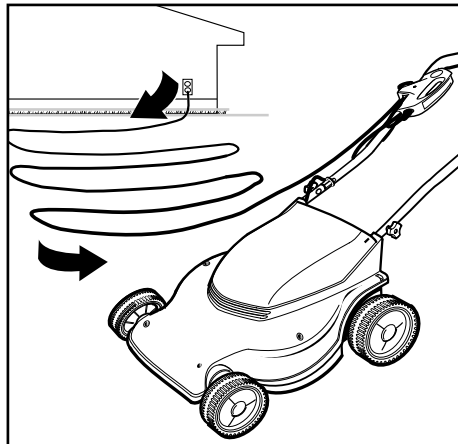
SAFETY SHIELD & REAR DOOR

The safety shield is designed to minimize the throwing of stones or other objects by the mower blade backward from under the mower deck. The shield, along with the rear door, minimizes the possibility of accidental foot contact with the blade. DO NOT operate mower without the safety shield and rear door in place.



⚠ WARNING:

- For your own safety DO NOT use this mower without either the grasscatcher or mulch insert in operating position.
- Do not operate the lawnmower if the rear door is not under spring tension. Take your mower to the nearest Sears Service Center for repair.



MOWING PROCEDURE

- Inspect area where mower is to be used and remove all stones, sticks, wire, bones, and other debris which might be thrown by the rotating blades.
- Place most of the extension cord close to the electrical outlet, out of the path of the mower.
- **CAUTION:** Do not plug extension cord into receptacle outlet while standing in water or when hands are wet.
- Begin mowing in the area closest to the outlet. Always mow forward in a back and forth pattern across the lawn. Keep the cord on the cut portion of the lawn.

MOWING TIPS

- Mow across the face of slopes, never up-and-down. Exercise extreme caution when changing direction on slopes. Do not mow excessively steep slopes. Always maintain good footing.
- Release switch to turn mower "OFF" when crossing any graveled area (stones can be thrown by the blade).
- Set mower at highest cutting height when mowing in rough ground or in tall weeds.

- From time to time turn off mower and wait for the blade to come to a complete stop. Then unplug the power cord and turn mower on its side. Using an object such as a stick, wipe out any accumulation of grass in the blade area. Be careful of the sharp edges of the blade.
- If a grasscatcher is used during the fast growing season, the grass may tend to clog up at the discharge opening. Turn the mower "OFF" and disconnect the power cord plug. Remove the catcher and shake the grass down to the back end of the bag. Also clean out any grass or debris which may be packed around the discharge opening. Replace the grass catcher. Clean often in wet, spring grass.
- If mower should start to vibrate abnormally, turn mower "OFF" and unplug power cord. Check immediately for cause. Vibration is a warning of trouble. Do not operate mower until a service check has been made.
- **ALWAYS turn the mower "OFF" and unplug the mower when leaving it unattended even for a short period of time.**

MULCHING

- Your new mower is designed to re-cut the grass clippings many times and reduce them in size so that, as they fall into the lawn, they will disperse into the grass and not be noticed. Also, the mulched grass will biodegrade quickly to provide nutrients to the lawn.
- Your mower was shipped with the Mulch Insert installed.

MULCHING MOWING TIPS

- For best performance, keep the mower housing free of built-up grass and trash. Clean after each use. See **CLEANING** in the maintenance section of this manual.
- Avoid cutting the lawn when it is wet. Wet grass tends to form clumps which interfere with the mulching action. The best time to mow your lawn is in the early afternoon. At this time the grass is dried and the newly cut area will not be exposed to the direct sun. For best results, adjust the mower cutting height so that the mower cuts off only the top one third of the grass blades. If the lawn

is overgrown it will be necessary to increase the cutting height to reduce the pushing effect and reduce overloading the motor. For extremely heavy mulching make narrower cuts and mow slowly.

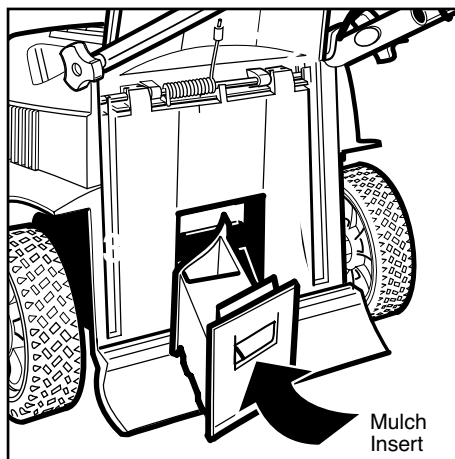
- Certain types of grass and grass conditions may require that an area be mulched a second time to completely hide the clippings. When doing a second cut, mow across or perpendicular to the first cut path. **DO NOT mow perpendicular to the first path if it would require you to mow across a hill.**
- Change your cutting pattern from week to week. Mow north to south one week and east to west the next week. This will help prevent matting and graining of the lawn.

TO REMOVE MULCH INSERT

- Shut the mower off, wait until the blade stops and unplug the mower.
- Raise the rear door and hold it up.
- Locate your hand in the handle pocket of the mulch insert, lift and pull out the mulch insert completely.
- The rear discharge door is spring loaded. When you release it the door will return to the closed position.

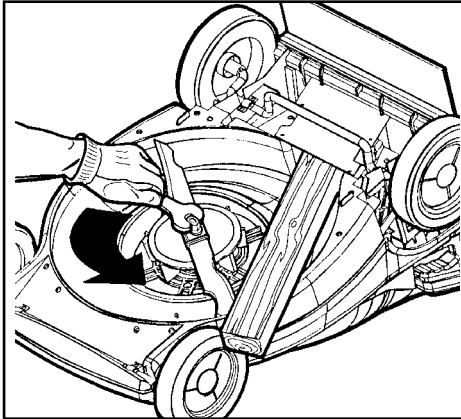
TO INSTALL MULCH INSERT

- Shut the mower off.
- Raise the rear door and slide the mulch insert into the discharge opening until it is firmly in contact with the deck.
- Release the rear door.

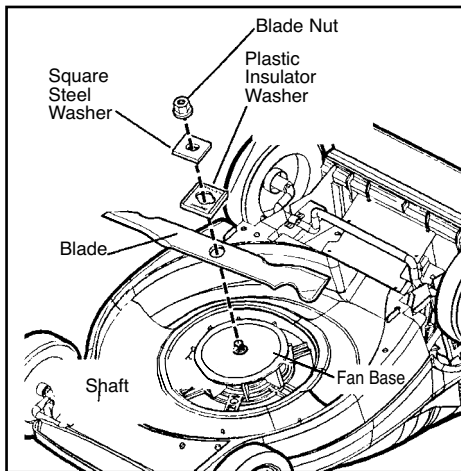


TO REMOVE BLADE

- Release Operator Presence Control Switch to turn mower off, wait for the blade to stop, and unplug mower!
- Cut a two foot length of 2x4 wood and use it to keep blade from turning while removing blade nut.
- Wear gloves, position wood, and loosen nut counterclockwise as shown. Remove nut.



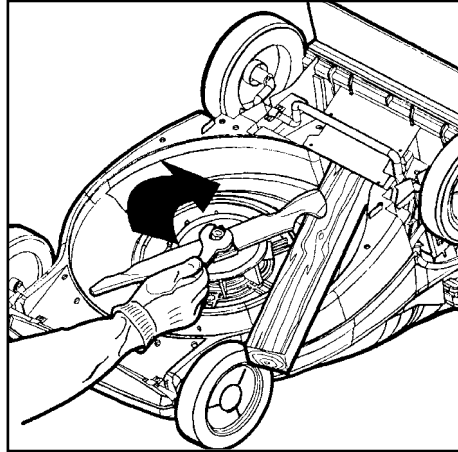
- Remove square steel washer, plastic insulator washer and blade.



TO REPLACE BLADE

- Place blade on shaft so that the blade edges are parallel with the flat sides of the shaft. Make sure you place the blade so that its cutting edges will face the ground when the mower is running.
- Place plastic insulator washer on shaft so that two of the washer's raised edges fit over the edges of the blade.

- Place square steel washer on shaft so that flat sides of hole in washer are parallel with flat sides of shaft.
- Place blade nut on shaft. Make sure all parts stay aligned. Position wood to keep shaft from turning. Securely tighten blade nut clockwise to 20-30 ft. lbs.



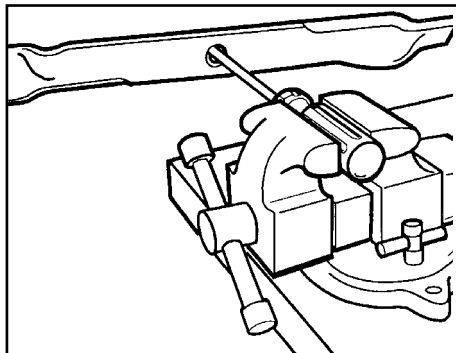
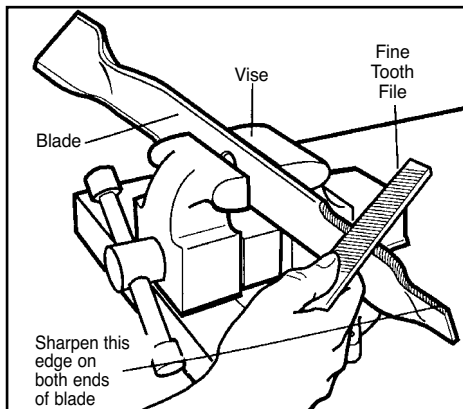
TO SHARPEN BLADE

- Keep blade sharp for best mower performance. A dull blade does not cut grass evenly.
- Wear proper eye protection.
- Sharpening the blade twice during a mowing season is usually sufficient under normal circumstances. Sand causes the blade to dull fast. If your lawn has sandy soil, more frequent sharpenings are required.
- Replace bent or damaged blade immediately.
- **To sharpen blade:**
 - Make sure blade remains balanced.
 - Sharpen blade at the original cutting angle.
 - Sharpen cutting edges on both ends of blade, removing equal amounts of material from both ends.
- Secure blade in a vise as shown in figure below.
- Wear safety glasses and be careful not to cut yourself.
- Carefully file the cutting edges of the blade with a fine tooth file or sharpening stone.

- Check balance of blade. See instructions for blade balancing.
- After blade is sharpened and balanced replace blade on mower and tighten securely.

TO BALANCE BLADE

- Check balance of blade by placing center hole in blade over a nail or screwdriver shank, clamped horizontally in a vise. If either end of the blade rotates downward, file that end. Blade is properly balanced when neither end drops.



MAINTENANCE

CUSTOMER RESPONSIBILITIES TABLE

MAINTENANCE SCHEDULE FILL IN DATES AS YOU COMPLETE REGULAR SERVICE	BEFORE EACH USE	AFTER EACH USE	EVERY 10 HOURS	EVERY 25 HOURS	BEFORE STORAGE	SERVICE DATES					
	Check for Loose Fasteners	4				4					
Clean Lawn Mower		4			4						
Check/Sharpen/Replace Blade			4								

GENERAL RECOMMENDATIONS

- Always observe safety rules when performing any maintenance.
- The warranty on this lawn mower does not cover items that have been subjected to operator abuse or negligence. To receive full value from the warranty, operator must maintain mower as instructed in this manual.
- Once a year check blade for wear.
- Follow the maintenance schedule in this manual.
- Before each use check for loose fasteners.

LUBRICATION

No lubrication is required.

IMPORTANT: Do not oil or grease plastic wheel bearings. Viscous lubricants will attract dust and dirt and will shorten the life of the self-lubricating bearings. If you feel they must be lubricated, use only a dry, powdered graphite tube lubricant sparingly.

TIRES

- Keep tires free of gasoline, oil or insect control chemicals which can harm rubber.
- Avoid stumps, stones, deep ruts, sharp objects and other hazards that may cause tire damage.

BLADE CARE

For best results, mower blade must be kept sharp. Replace bent or damaged blades.

CLEANING

- **Release Operator Presence Control Switch to turn mower off, wait for the blade to stop, and unplug mower!**
- **Turn off, let the blade come to a stop and then unplug mower!**
- Use only mild soap and a damp cloth to clean the mower. Clean out any clippings which may have accumulated on the underside of the deck.

PREVENTING CORROSION

- Fertilizers and other garden chemicals contain agents which greatly accelerate the corrosion of metals. If you mow in areas where fertilizers or chemicals have been used, the mower should be cleaned immediately after use.
- **CAUTION:** DO NOT pour or spray water on the mower.
- Do not store the tool on or adjacent to fertilizers or chemicals. Such storage can cause rapid corrosion.

PRODUCT SPECIFICATIONS

MODEL NUMBER	900.370510
POWER	120v 12 Amp
BLADE SPEED	3600 RPM
CUTTING WIDTH	19"
BLADE BOLT TORQUE:	20-30 FT. LBS.

SERVICE AND ADJUSTMENTS

CAUTION: Before performing any service or adjustments:

- Release operator presence control switch and stop motor.
- Make sure the blade and all moving parts have completely stopped.
- Unplug power cord.

REAR DEFLECTOR

The rear deflector, attached between the

rear wheels of your mower, is provided to minimize the possibility that objects will be thrown out of the rear of the mower into the operator mowing position. If the deflector becomes damaged, it should be replaced.

TO ADJUST CUTTING HEIGHT

To adjust cutting height refer to "Adjust Cutting Height" in Operation section of this manual.

STORAGE

Immediately prepare your lawn mower for storage at the end of the season or if the unit will not be used for 30 days or more.

LAWN MOWER

When lawn mower is to be stored for a period of time, clean it thoroughly, remove all dirt, grease, leaves, etc. Store in a clean, dry area.

- Clean entire lawn mower (See "CLEANING" in the Maintenance section of this manual).
- Be sure that all nuts, bolts, screws, and pins are securely fastened. Inspect

moving parts for damage, breakage and wear. Replace if necessary.

HANDLE

You can fold your lawn mower handle for storage.

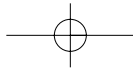
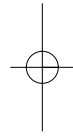
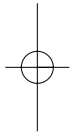
- Ensure that the power cord has been unplugged.
- Loosen both handle knobs.
- Carefully fold the handle forward over the mower.

CAUTION: DO NOT pinch cord between handle and mower shroud.

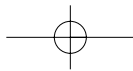
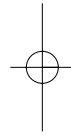
TROUBLESHOOTING CHART

PROBLEM	CAUSE	CORRECTION
Does not start	<ul style="list-style-type: none"> • Power cord is not properly plugged in • No power from outlet • Blade does not rotate freely or mower deck is clogged 	<ul style="list-style-type: none"> • Check extension cord attachment at both mower and outlet ends. • Check breaker or fuse. • Unplug power cord, turn mower on its side and check blade. Make sure it is free to rotate. Also check for clogging.
Poor performance	<ul style="list-style-type: none"> • Grass too high or thick 	<ul style="list-style-type: none"> • Raise mower cutting height to cut 1/3 of grass length. • Walk at a slower pace • Reduce cutting width if needed. • Unplug power cord, check deck for clogging, check blade for sharpness.
Poor cut – uneven	<ul style="list-style-type: none"> • Worn, bent or loose blade • Buildup of grass and leaves under mower 	<ul style="list-style-type: none"> • Unplug power cord. • Replace blade. Tighten blade bolt. • Unplug power cord and clean underside of mower housing.
Excessive vibration	<ul style="list-style-type: none"> • Worn, bent, unbalanced or loose blade • Bent motor motorshaft 	<ul style="list-style-type: none"> • Unplug power cord. • Replace blade. Tighten blade bolt. • Contact an authorized service center.
Mower stops	<ul style="list-style-type: none"> • House circuit breaker trips out or blows fuse • Foreign material is blocking blade rotation 	<ul style="list-style-type: none"> • If mower won't start, check house circuit breaker or fuse. • Unplug power cord, turn mower over, and clean out deck. • Walk slower. • Reduce cutting width. • Raise mower cutting height.
Hard to push	<ul style="list-style-type: none"> • Grass is too high or wheel height is too low 	<ul style="list-style-type: none"> • Raise cutting height.
Mower Does Not Stop when Operator Presence Control Switch is Released	<ul style="list-style-type: none"> • Operator presence control switch is damaged 	<ul style="list-style-type: none"> • Replace operator presence control switch.

diagram



parts page



CONTENIDO

Garantía	17	Especificaciones del producto	28
Reglas de seguridad	17	Servicio y ajustes	28
Mantenimiento	19	Almacenaje	28
Ensamblaje	20	Solución a problemas frecuentes	29
Operación	22	Lista de partes ilustrada	30, 31
Itinerario de mantenimiento	27		

GARANTIA

GARANTIA LIMITADA POR DOS AÑOS EN LA PODADORA CRAFTSMAN

Sears reparará sin cargos cualquier defecto que se presente en materiales o mano de obra de esta podadora Craftsman, durante dos años a partir de la fecha de compra, siempre y cuando se le proporcione el mantenimiento, la lubricación y ajustes necesarios, de conformidad con las instrucciones de mantenimiento y operación señaladas en el manual del propietario.

Si la podadora Craftsman se utilizase con fines comerciales o de renta, esta garantía se aplica únicamente durante 90 días a partir de la fecha de compra. Esta garantía no cubre:

- Piezas que sufran desgaste con el uso normal, como las cuchillas, los adaptadores de cuchillas y las bandas.
- Las reparaciones necesarias debidas a maltrato o negligencia del operador, incluyendo los árboles de las bandas y la falta de mantenimiento al equipo de acuerdo a las instrucciones señaladas en el manual del propietario.

EL SERVICIO EN GARANTIA ESTA A SU DISPOSICION llevando la podadora Craftsman al Centro o Departamento de Servicio Sears más cercano dentro de los Estados Unidos. Esta garantía se aplica únicamente mientras se utilice el producto en los Estados Unidos.

Esta garantía le otorga ciertos derechos específicos, y usted puede tener otros derechos que varíen de estado a estado.

SEARS, ROEBUCK AND CO., DEPT. 817WA, HOFFMAN ESTATES, IL 60179

NORMAS GENERALES DE SEGURIDAD

⚠ PRECAUCION: No intente operar esta podadora hasta que haya leído este manual completamente y comprendido todas las instrucciones, reglas de seguridad, etc., contenidas en este manual. La falta de cumplimiento puede resultar en accidentes que involucren incendio, choque eléctrico o lesiones personales de gravedad. Conserve el manual del propietario y revíselo con frecuencia para continuar con la operación segura y para instruir a terceras personas que pudiesen utilizar esta podadora.

Los estándares de seguridad requieren de la presencia de un interruptor de control con presencia del operador para minimizar la posibilidad de riesgos. Su unidad está equipada con tal dispositivo. No intente anular esta función por ningún motivo.

⚠ ADVERTENCIA: Parte del polvo originado por este producto contiene químicos que en el Estado de California se consideran como causantes de cáncer, defectos congénitos u otros daños reproductivos.

Algunos ejemplos de estos químicos son:

- compuestos en fertilizantes
- compuestos en insecticidas, herbicidas y pesticidas
- arsénico y cromo de madera tratada químicamente

Para reducir su exposición a estos químicos, utilice equipo de seguridad aprobado como máscaras contra polvo diseñadas específicamente para filtrar partículas microscópicas.

⚠ ADVERTENCIA: Este producto contiene químicos, incluyendo plomo, que en el Estado de California se consideran como causantes de cáncer y defectos congénitos u otros daños reproductivos. Lave sus manos después de manejarlo.

⚠ PRECAUCIÓN: Emplee la protección personal y auditiva adecuada durante el uso de este producto. Bajo ciertas condiciones y duración de uso, el ruido producido por este producto puede contribuir a la pérdida auditiva.

ENTRENAMIENTO

- Lea cuidadosamente este manual del operador. Familiarícese con los controles y sepa a operar su podadora apropiadamente. Aprenda a apagar su podadora rápidamente.
- Evite ambientes peligrosos. No utilice su podadora bajo la lluvia ni en lugares mojados. No la opere en atmósferas gaseosas o explosivas. Los motores producen chispas en condiciones normales, y estas chispas pueden originar la ignición de los vapores.
- No permita que los niños utilicen su podadora. Nunca permita que un adulto use la podadora sin las instrucciones apropiadas.
- Conserve el área de operación libre de personas, particularmente niños pequeños y mascotas.
- Utilice la podadora únicamente como se describe en este manual.
- No opere la podadora si se ha caído o dañado en alguna forma. Hágala reparar siempre antes de usarla.
- No opere la podadora sin la extensión recomendada. Asegúrese que la extensión esté en buenas condiciones antes de encender la podadora.
- No utilice accesorios que no estén recomendados en este manual. El uso de dichos accesorios puede ser peligroso.
- La cuchilla siempre gira cuando el motor está en funcionamiento.
- Evite el encendido accidental. No juegue con el interruptor de control en presencia del operador cuando no se emplee.

PREPARACION:

- Inspeccione a conciencia el área donde se usará el equipo y elimine todas las piedras, varas, alambres, huesos y otros objetos extraños. Estos objetos serán lanzados por la cuchilla y pueden ocasionar lesiones graves.
- Utilice siempre gafas o protectores oculares de seguridad cuando emplee la podadora.
- Vístase de manera adecuada. No opere el equipo con los pies descalzos o cuando utilice calzado abierto. Utilice siempre calzado cerrado con buena tracción.
- Haga los ajustes necesarios a las ruedas antes de encender la podadora. Nunca intente hacer ajustes a la altura de las ruedas mientras el motor está en funcionamiento.
- Pude solamente a la luz del día o con buena iluminación artificial.
- No conecte la podadora hasta que esté lista para usarse.
- Proteja sus pulmones. Utilice una mascarilla o filtro contra polvo si la operación que va a efectuar lo produce.

- Retire las herramientas de ajuste antes de encender la podadora.

OPERACION.



La operación de cualquier podadora puede ocasionar que objetos extraños salgan despedidos hacia los ojos, con el consiguiente riesgo de daño ocular. Utilice siempre gafas o protectores oculares de seguridad al operar su podadora o al hacerle ajustes o reparaciones. Le recomendamos utilizar una máscara de visión amplia sobre las gafas, a su disposición en Sears.

- Conserve sus ojos y su mente en su podadora y en el área que piense podar. No permita que lo distraiga nada.
- Nunca opere el equipo en pasto húmedo o resbaladizo. Asegure siempre el apoyo de sus pies; conserve bien sujeto el mango y camine.
- No ponga las manos o los pies cerca de las piezas giratorias. Conserve siempre limpia la abertura de descarga.
- Apague siempre la podadora cuando la deje o cuando no la utilice, y cuando atraviese caminos de grava, paseos o andadores.
- Nunca dirija la descarga del material hacia observadores, ni permita que nadie se acerque a la podadora cuando la esté operando.
- Protéjase contra el choque eléctrico. Repare o reemplace de inmediato los cables y las extensiones dañadas.
- No maltrate el cable. Nunca tire de la podadora por el cable. Desconéctela tirando suavemente de la clavija, no del cable.
- Antes de limpiar, inspeccionar o reparar su podadora, apague el motor y asegúrese perfectamente que la cuchilla y todas las partes móviles se hayan detenido. A continuación desconecte el cable para evitar el encendido accidental.
- Si la podadora hace contacto con algún objeto extraño, siga estos pasos:
 - i) Apague la podadora. Libere el interruptor.
 - ii) Desconecte el cable de alimentación.
 - iii) Inspeccione en busca de daños
 - iv) Repare cualquier daño antes de encender la podadora de nuevo y operarla.
- No opere la podadora si vibra anormalmente, apague y desconecte la podadora y busque inmediatamente la causa. Las vibraciones son generalmente aviso de problemas. Repare cualquier daño antes de encender la podadora de nuevo.
- No encienda el motor bajo techo.
- Nunca corte el pasto tirando de la podadora

hacia usted. Pude en sentido perpendicular a las pendientes; nunca hacia arriba y hacia abajo. Tenga precaución extrema cuando cambie de dirección en las pendientes. No puede en pendientes muy pronunciadas — conserve bien apoyados los pies.

- Nunca opere la podadora sin que las guardas apropiadas, las placas u otros dispositivos de seguridad estén en su sitio.
- No fuerce la podadora. Esta hará el trabajo mejor y de manera más segura bajo las especificaciones para las que ha sido diseñada. Cuando puede en superficies irregulares o en pasto alto, elija una posición de corte más alta.
- No se sobre extienda. Conserve siempre el equilibrio y los pies bien apoyados.
- Esté alerta. Concéntrese en lo que esté haciendo y use el sentido común. No opere la podadora si está cansado. No corra cuando puede.
- No opere la podadora bajo la influencia de drogas, alcohol o medicamentos. Hacerlo así puede originarle lesiones de gravedad.
- Aléjese del área de la cuchilla. Esté consciente acerca del riesgo de lesiones. Conserve las manos y los pies alejados de la cuchilla.
- **PELIGRO:** NO intente remover el material cortado o destapar la salida cuando la cuchilla esté en movimiento, existe riesgo de lesionarse gravemente.
- Si la podadora se atasca, asegúrese de apagar la podadora, espere a que la cuchilla se detenga y desconecte el cordón eléctrico antes de intentar destapar el canal de salida o de remover cualquier objeto de debajo de la cubierta. Revise cuidadosamente y haga reparar cualquier daño antes de volver a encender la podadora.

MANTENIMIENTO Y ALMACENAJE

- Revise a menudo los tornillos de montaje de la cuchilla y el motor para asegurarse que estén bien apretados.
- Revise a intervalos frecuentes todos que todos los tornillos, tuercas y pijas estén bien apretados para asegurarse que la podadora esté en condiciones seguras de trabajo.
- Conserve todos los dispositivos de seguridad en su sitio y listos para trabajar.
- Conserve el motor libre de pasto, hojas y grasa o aceite excesivos para reducir el riesgo de incendios.
- Conserve siempre afilada la cuchilla de su podadora.
- Permita que el motor se enfríe antes de guardar la podadora.
- Conserve la podadora limpia y seca. Utilice

siempre un trapo húmedo para limpiarla. Nunca utilice líquido de frenos, gasolina, productos con base de petróleo, solventes, ni agua para limpiar la podadora.

- No puede si el interruptor no funciona. Haga reemplazar un interruptor defectuoso por un técnico de servicio calificado de un centro o departamento de servicio autorizado.
- Revise las partes dañadas. Antes de seguir utilizando la podadora, una guarda u otras partes dañadas deben ser revisadas cuidadosamente para determinar si cumplirán con su función adecuadamente. Revise la alineación de las piezas móviles, la ruptura en piezas, la unión de piezas móviles, el montaje, y cualesquiera otras condiciones que pudiesen afectar su operación. Una guarda u otra pieza dañadas deberán ser reparadas correctamente defectuoso por un técnico de servicio calificado de un centro o departamento de servicio autorizado.
- Cuando efectúe servicio asegúrese que se empleen únicamente refacciones Craftsman idénticas. El servicio a esta podadora debe efectuarlo únicamente un técnico calificado. Le sugerimos que envíe la unidad al centro o departamento de servicio más cercano.
- Cuando cambie la cuchilla, utilice únicamente las piezas recomendadas por el fabricante. El uso de cualquier otra cuchilla puede ocasionar lesiones personales de gravedad o daños a su podadora.
- Guarde la podadora bajo techo. Cuando no la utilice, guárdela en la cochera, en el sótano, etc. El área en donde la guarde deberá estar bajo llave, fuera del alcance de los niños.
- Cuide su podadora. Conserve la cuchilla limpia y afilada para obtener un rendimiento mejor y más seguro. Siga las instrucciones de lubricación y cambio de accesorios.

DOBLE AISLAMIENTO

Su podadora cuenta con DOBLE AISLAMIENTO para seguridad añadida. Las herramientas DOBLEMENTE aisladas se han elaborado de manera integral con dos capas separadas de aislamiento eléctrico o una capa doble de aislamiento entre usted y el sistema eléctrico que contienen.

Las herramientas construidas con este sistema de aislamiento no requieren conectarse a tierra. Como resultado su herramienta está equipada con una clavija de dos patas que le permite emplear cordones de extensión sin preocuparse por tener una conexión a tierra.

NOTA: El DOBLE AISLAMIENTO no substituye a las precauciones normales de seguridad cuando se opera esta podadora. La finalidad de este sistema de aislamiento es ofrecer a usted protección añadida contra lesiones resultantes de fallas en el aislamiento eléctrico interno de la herramienta.

⚠ PRECAUTION: Repare o reemplace los cordones eléctricos dañados. Utilice solamente refacciones Craftsman idénticas cuando haga servicio a cualquier herramienta.

CLAVIJA POLARIZADA

Esta podadora cuenta con una clavija polarizada (con una pata más ancha que la otra) para reducir los riesgos de choque eléctrico. Cuando el cordón eléctrico cuente con este tipo de clavija, ajustará en un contacto polarizado solamente de una manera. Si la clavija no ajusta completamente en su contacto, inviértala. Si aún así no ajusta, llame a un electricista calificado para que le instale un contacto polarizado apropiado. No modifique o haga cambios en la clavija por ningún motivo.

CORDONES DE EXTENSION

Las herramientas con doble aislamiento cuentan con cordones eléctricos de dos conductores y pueden utilizarse con extensiones de 2 o 3 conductores. Solamente deben emplearse extensiones de cubierta cilíndrica, y recomendamos que estén aprobadas por Underwriters Laboratories (U.L.).

⚠ ADVERTENCIA: Para evitar el choque eléctrico utilice solamente extensiones para uso a la intemperie, tales como SW-A, SJWO-A, SOW-A, STW-A, STOW-A, SJW-A, SJTW-A o SJTOW-A

Un cordón de extensión debe tener el calibre adecuado (AWG o American Wire Gauge) por seguridad y para evitar pérdida de potencia y sobrecalentamiento. Cuanto más pequeño el número de calibre del alambre, mayor la capacidad del cable, esto es, el alambre de calibre 16 tiene mayor capacidad que el de calibre 18. Cuando se emplee más de una extensión para lograr la longitud deseada, asegúrese que cada extensión individual se caracterice al menos por el calibre mínimo requerido.

Consulte el cuadro que sigue para identificar el calibre mínimo requerido. (Refiérase a la placa de identificación de su podadora para encontrar el amperaje)

NOTA: El uso de otra longitud o clasificación de extensión disminuirá el rendimiento y posiblemente la duración del motor eléctrico.

CALIBRE MINIMO PARA EXTENSIONES

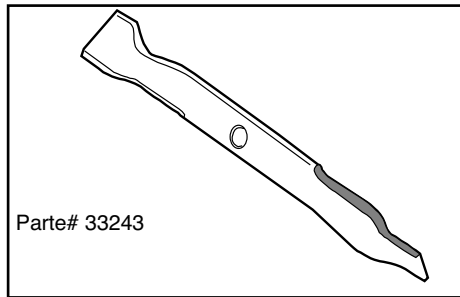
RECOMENDACIONES DE CALIBRE MINIMO			
VOLTS	6,6 m	15,2 m	30,4 m
120	16 A.W.G.*	16 A.W.G.*	14 A.W.G.*

* AMERICAN WIRE GAUGE

CONSERVE ESTAS INSTRUCCIONES

CUCHILLA DE REPUESTO

La cuchilla de repuesto es la parte #33243 y está a su disposición en las tiendas y centros de servicio Sears.



ENSAMBLAJE

CONTENIDO DE LA CAJA

- Podadora (viene con el inserto de recorte instalado).
- Bolsa para pasto
- Estructura de la bolsa para pasto.

PARA SACAR LA PODADORA DE SU CAJA

Su podadora se ha ensamblado completamente en la fábrica, con excepción de la bolsa para pasto.

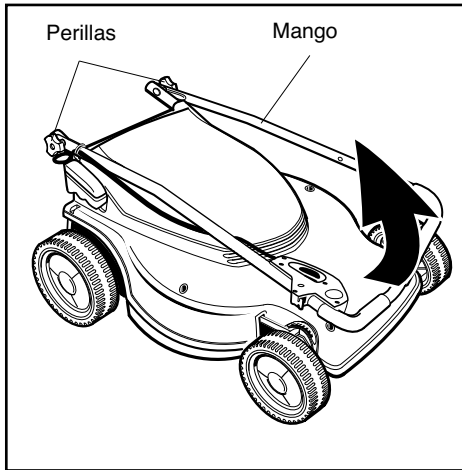
⚠ PRECAUTION: No levante la podadora sujetándola del ajuste de altura de accionamiento con los dedos.

- Saque la estructura de la bolsa para pasto, las bolsa para pasto y los rellenos de cartón.
- Saque la podadora de la caja y coloque las cuatro ruedas en el piso.
- Revise la caja cuidadosamente y asegúrese que no hay piezas sueltas.

Para desplegar el mango

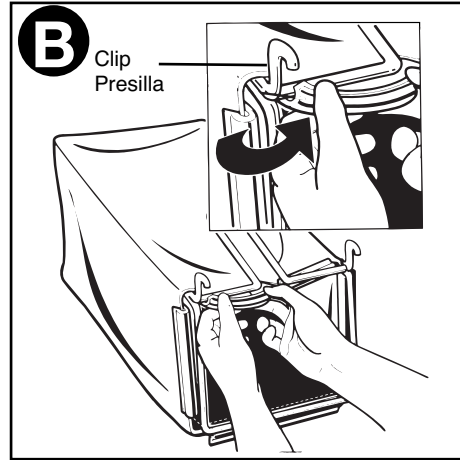
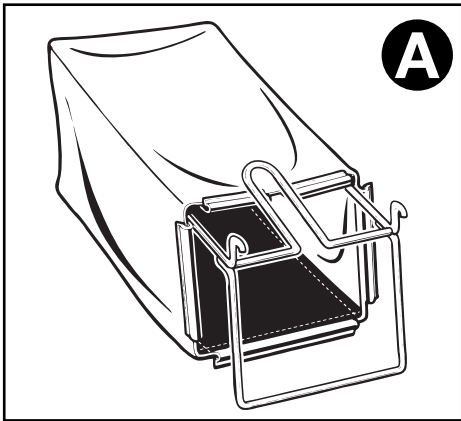
Levante la sección del mango hasta su posición y asegúrela apretando las dos perillas. Consulte la figura a continuación.

⚠ ADVERTENCIA: Por su propia seguridad, NO use esta podadora sin la bolsa para pasto o el inserto recortador en posición de operación.



ENSAMBLAJE DE LA BOLSA PARA PASTO

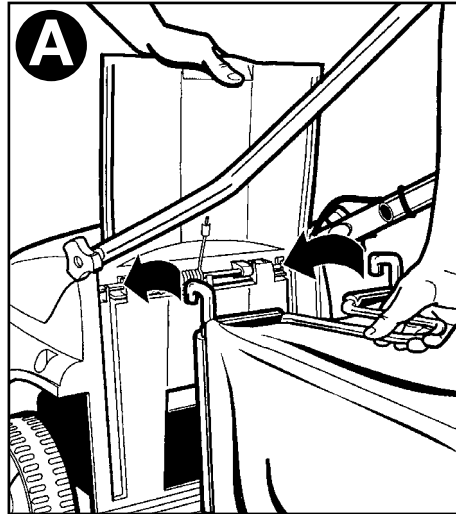
- Deslice la bolsa para pasto en el armazón. (Observe la Fig. A.)
- La bolsa para pasto tiene unas presillas cosidas alrededor de la abertura.
- Ensamble las dos presillas superiores al armazón, continúe con las dos presillas laterales y deje para el final la presilla inferior. (Observe la Fig. B)
- Consulte la sección "Instalación de la bolsa para pasto" antes de colocarla en la podadora.



INSTALACION DE LA BOLSA PARA PASTO

- Por debajo y en medio de los mangos de la podadora, levante la puerta trasera de descarga hasta que quede en posición vertical y sujétela. (Observe la Fig. A)
- Saque el inserto de recorte. Consulte la página 25 "Remoción del inserto de recorte".
- Levante la bolsa para pasto por el mango y a continuación bájela entre los mangos de la podadora. Coloque los ganchos de la bolsa en la podadora en la varilla metálica, bajo la puerta trasera. (Observe la Fig. B)
- Suelte la puerta trasera.

⚠ ADVERTENCIA: Nunca opere la podadora a menos que los ganchos de la bolsa estén correctamente asentados en la podadora y la puerta de descarga esté firme contra la parte superior de la bolsa para pasto.



OPERACION

CONOZCA SU PODADORA

LEA ESTE MANUAL DEL PROPIETARIO Y LAS REGLAS DE SEGURIDAD ANTES DE OPERAR SU PODADORA. Compare las ilustraciones con su podadora para familiarizarse con la localización de los diferentes controles y ajustes. Conserve este manual para referencias futuras.

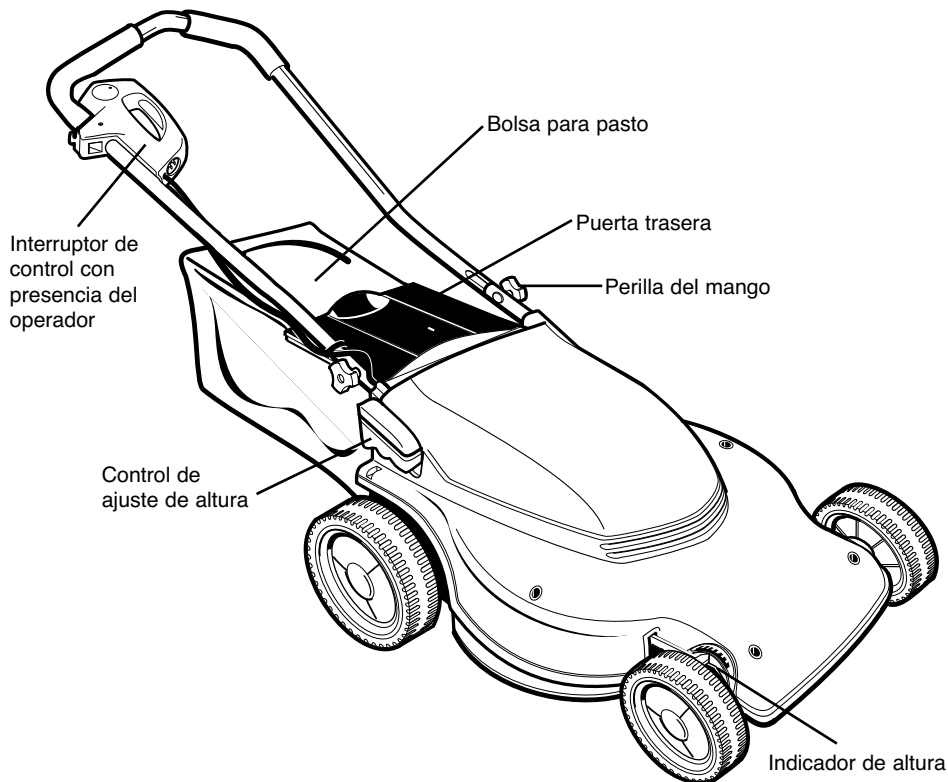
Estos símbolos pueden aparecer en su podadora o en la literatura que se proporciona con el producto. Aprenda y comprenda su significado.



PRECAUTION O
ADVERTENCIA



PELIGRO, CONSERVE
ALEJADOS MANOS Y PIES



CUMPLE CON LOS REQUERIMIENTOS DE SEGURIDAD CPSC

La podadoras eléctricas rotativas Sears cumplen con los estándares de seguridad del American National Standards Institute y del U.S. Consumer Product Safety Commission.

⚠ ADVERTENCIA: La cuchilla gira cuando el motor está en funcionamiento.

Interruptor de control con presencia del operador — Debe sujetarse al mango para encender el motor. Libérese para detener el motor.

Puerta — Permite la conversión para la operación de desbroce o embolsado.

Control de ajuste de altura — Permite ajustar la altura de las cuatro ruedas al mismo tiempo con un sólo movimiento.

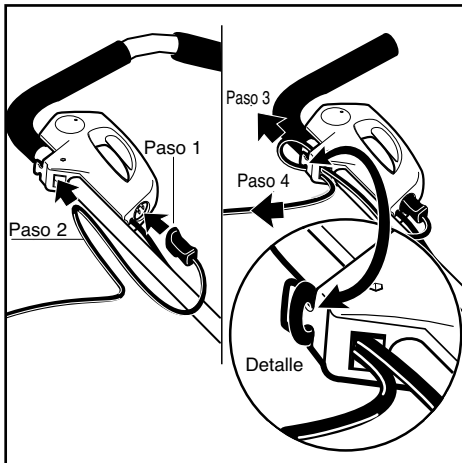
PARA APAGAR LA PODADORA

Para apagar la podadora, suelte completamente el interruptor de control en presencia del operador.

UNION DE LA EXTENSION AL CORDON ELECTRICO DE LA PODADORA

NO conecte la extensión a la toma de corriente hasta que haya terminado de leer este manual y empiece a podar. Lea la sección referente a la "Clavija polarizada" en la página 19 antes de conectar la extensión en la carcasa del interruptor, como se muestra en la figura que sigue.

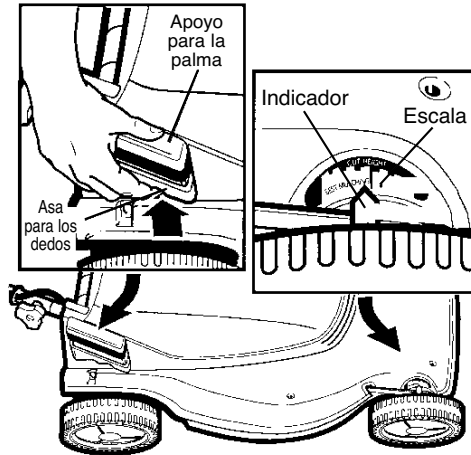
1. La extensión debe ser polarizada y debe poder conectarse solamente de una manera. Oriente la ranura grande con la pata grande en la carcasa del interruptor.
2. Haga un arco con el cable de extensión.
3. Empuje el cable a través del orificio de la carcasa del interruptor.
4. Coloque el arco sobre el protector de la carcasa del interruptor y tire del cable de extensión de manera que el arco envuelva el protector, como se muestra en el detalle. Revise que no se haya aflojado la clavija del cable de extensión.



AJUSTE DE ALTURA DE CORTE

- Antes de hacer cualquier ajuste, apague y desconecte la podadora, y espere a que la cuchilla deje de girar.
- Utilice el control de ajuste de altura para subir la cubierta para corte alto y bajarla para corte bajo.
- Ajuste la altura de corte para acomodarse a sus necesidades. La posición media es la mejor para la mayoría de las ocasiones.
- Para aumentar o disminuir la altura de corte,

coloque la palma de su mano sobre el descanso para la palma y oprima el asa para los dedos con éstos, sujétela.



- Mientras sujeta el asa para los dedos usted puede aumentar o disminuir la altura de corte. La podadora cuenta con ocho posiciones diferentes. Observe la escala y el indicador en la parte frontal de la podadora. El indicador le mostrará la posición de altura para su césped. Esta posición puede ser una referencia para la próxima vez que quiera cortar su césped a la misma altura. Cuando tenga la podadora en la altura deseada, simplemente libere el asa para los dedos para asegurar el ajuste a esa altura.

NOTA: Para confirmar que la cubierta esté asegurada en una de las siete posiciones, oprima en el descanso para la palma después de liberar el asa para los dedos.

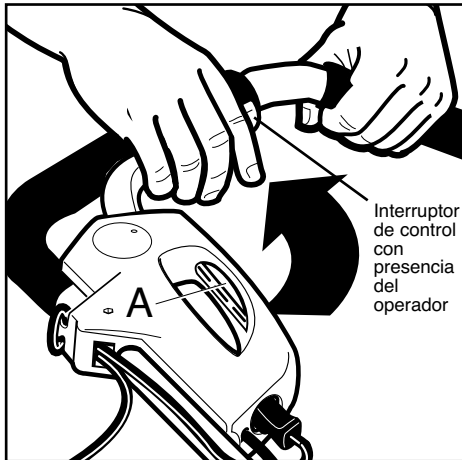
INTERRUPTOR DE CONTROL CON PRESENCIA DEL OPERADOR

⚠ PRECAUTION: Los reglamentos federales requieren de la instalación de un control para el motor en la podadora, a fin de minimizar el riesgo de lesiones por contacto con la cuchilla. Por NINGUNA circunstancia trate de anular el funcionamiento del control de operación. La cuchilla gira cuando el motor está en funcionamiento.

Su podadora de pasto está equipada con una barra de control en presencia del operador que requiere que el operador se coloque detrás del mango de la unidad para encenderla y operarla.

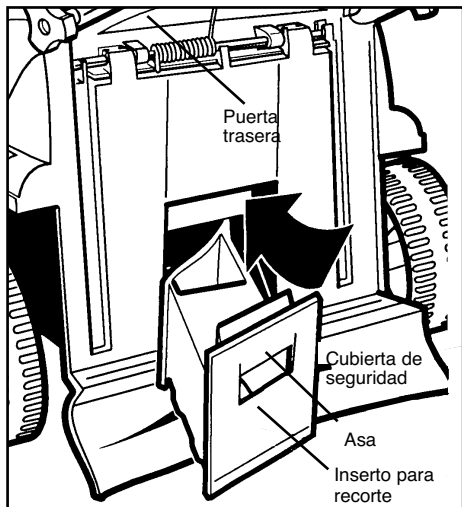
Para operar el interruptor, introduzca su dedo en la abertura (A), y empuje la palanca hacia afuera para que pueda tomarla con la otra mano. Tire de la palanca hacia atrás para encender la unidad y sujétela contra el mango

de la podadora para conservarla en funcionamiento. para pagar la podadora, simplemente libere la palanca. La palanca (con acción de resorte) apagará la podadora inmediatamente.



CUBIERTA DE SEGURIDAD Y PUERTA TRASERA

Esta cubierta de seguridad está diseñada para minimizar el lanzamiento de piedras u otros objetos hacia atrás por la parte inferior de la podadora. La cubierta, junto con la puerta trasera minimizan la posibilidad de contacto accidental de los pies con la cuchilla. NO opere la podadora sin la cubierta protectora y la puerta trasera en su posición.



⚠ ADVERTENCIA:

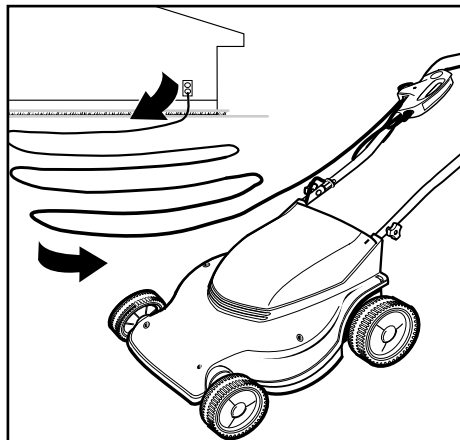
- Por su propia seguridad NO utilice esta podadora sin que la bolsa para pasto o el inserto recortador estén en posición de operación.
- No opere la podadora si la puerta trasera no está bajo la tensión del resorte. Lleve su podadora al centro de servicio más cercano para que le efectúen los arreglos necesarios.

PROCEDIMIENTOS DE PODADO

- Revise el área donde se utilizará la podadora y elimine todas las piedras, varas, alambres, huesos y otros desechos que puedan ser arrojados por las cuchillas giratorias.
- Coloque la mayor parte de la extensión cerca de la toma de corriente, fuera del camino de la podadora.

PRECAUTION: No conecte la extensión a la toma de corriente mientras esté parado en agua o tenga las manos mojadas.

- Comience a podar la zona más cercana a la toma de corriente y pode hacia adelante y hacia atrás. Note que el cable se queda en la zona que ya se ha podado.



RECOMENDACIONES DE PODADO

- Pode en sentido perpendicular a las pendientes, nunca hacia arriba y hacia abajo. Tenga cuidado extremo cuando cambie de dirección en las pendientes. No pode pendientes demasiado pronunciadas. Siempre apoye bien los pies.
- Siempre libere el interruptor para APAGAR la podadora cuando atravesese zonas con grava (la cuchilla puede arrojar piedras).
- Coloque la podadora en la posición de corte más alta cuando pode en tierra o donde haya hierbas altas.
- Apague la podadora de cuando en cuando y

espere a que la cuchilla se detenga por completo. Desconecte el cordón eléctrico y gire la podadora de lado. Elimine el pasto acumulado en la zona de la cuchilla con un objeto similar a una vara. Tenga cuidado con los filos de la cuchilla.

- Si utiliza una bolsa para pasto durante la temporada de crecimiento rápido, el pasto puede tender a tapar el canal de descarga. Apague el interruptor y desconecte el cordón eléctrico. Quite el depósito de pasto y haga que el pasto se vaya hacia el extremo de la bolsa. Limpie también el pasto y cualquier otro desecho que se haya acumulado alrededor del canal de descarga. Vuelva a colocar el depósito de pasto. Limpie a menudo cuando el pasto es húmedo, en primavera.
- Si la podadora vibra anormalmente, APAGUELA y desconecte el cordón eléctrico. Busque la causa inmediatamente. Las vibraciones son aviso de problemas. No opere la podadora hasta que le hayan efectuado una revisión de servicio.
- **SIEMPRE APAGUE y desconecte la podadora cuando la deje desatendida, aun cuando sea por un periodo corto.**

RECORTE

- Su nueva podadora está diseñada para re-cortar los desechos del pasto varias veces y reducir su tamaño, para que, al caer al césped se disperse y no se note. El pasto se degradará rápidamente y proporcionará nutrientes al césped.
- Su podadora viene de fábrica con el inserto recortador instalado.

RECOMENDACIONES PARA PODADO CON RECORTE

- Para obtener mejores resultados, conserve la cubierta de la podadora libre de pasto acumulado y otros desechos. Límpiela después de usarla cada vez. Vea LIMPIEZA en la sección de mantenimiento de este manual.
- Evite cortar el césped cuando esté húmedo. El pasto mojado tiende a agruparse y esto interfiere con la acción de recorte. El mejor momento para podar su césped es poco después del mediodía. A esta hora, el pasto estará completamente seco, y el área recién podada no estará expuesta a la luz directa del sol. Para obtener mejores resultados, ajuste la altura de corte de la podadora para que recorte únicamente la tercera parte superior de las hojas de pasto. Si el césped está demasiado crecido, será necesario aumentar la altura de corte para reducir el efecto de

empuje y disminuir la sobrecarga del motor. Para podados extremadamente pesados haga cortes angostos y haga movimientos lentos.

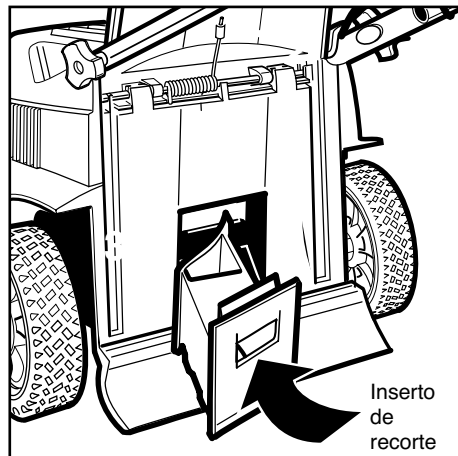
- Ciertos tipos y algunas condiciones de pasto pueden requerir un segundo podado para disimular las irregularidades. Cuando haga el segundo corte, realice el movimiento en forma perpendicular al primero. **SI ESTA PODANDO EN UNA PENDIENTE, NO REALICE EL SEGUNDO CORTE EN FORMA PERPENDICULAR SI ESTO LO OBLIGA CORTAR PARALELAMENTE A LA COLINA.**
- Cambie el patrón de corte de semana a semana. Pude de norte a sur una semana y de este a oeste la siguiente. esto le ayudará a evitar que el corte quede disperejo.

REMOCIÓN DEL INSERTO DE RECORTE

- Apague la podadora, espere a que la cuchilla se detenga y desconéctela.
- Levante la puerta trasera y sujétela.
- Coloque su mano en la abertura, levante y tire completamente del inserto recortador.
- La puerta trasera para descarga funciona con un resorte. Cuando libere el resorte la puerta regresará a la posición cerrada.

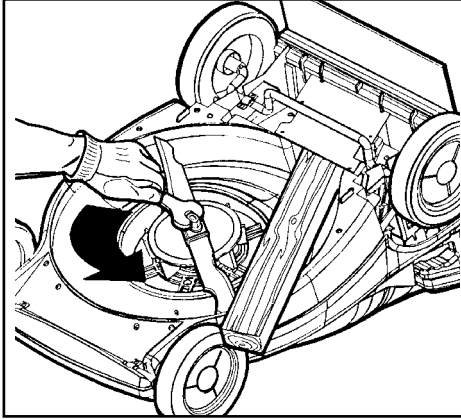
INSTALACION DEL INSERTO RECORTADOR

- Apague la podadora.
- Levante la puerta trasera y deslice el inserto recortador por la abertura de descarga hasta que haga contacto firme con la cubierta.
- Suelte la puerta trasera.

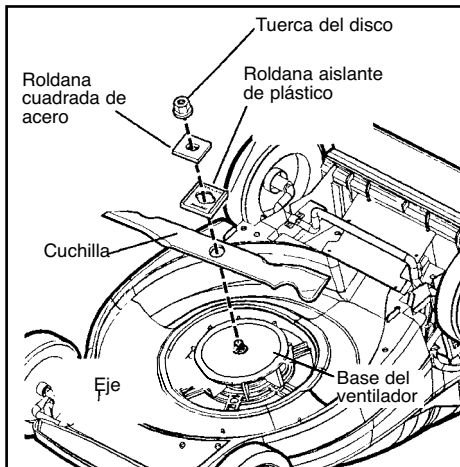


REMOCION DE LA CUCHILLA

- ¡Libere la palanca del interruptor para apagar la podadora, espera a que la cuchilla se detenga y desconecte la podadora!
- Corte una pieza de madera de 10 cm de ancho por 60 cm de longitud para evitar que la cuchilla gire cuando quite la tuerca.
- Emplee guantes. Coloque la tabla y quite la tuerca como se ilustra.



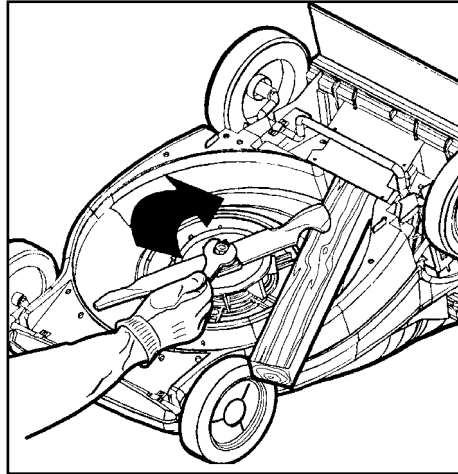
- Quite el la roldana cuadrada de acero, el aislador de plástico y la cuchilla.



CAMBIO DE LA CUCHILLA

- Coloque la cuchilla en el eje de manera que los bordes queden paralelos a los lados planos del eje. Asegúrese de colocar la cuchilla de manera que los filos queden de cara al suelo al funcionar la podadora.
- Coloque el aislador de plástico en el eje de manera que los dos bordes en relieve de la roldana queden sobre los bordes de la cuchilla.

- Coloque la roldana cuadrada de acero en el eje de manera que los lados rectos de la roldana queden paralelos a los lados planos del eje.
- Coloque la tuerca de la cuchilla en el eje. Asegúrese que todas las partes estén alineadas. Coloque la madera de manera que evite que la flecha gire y apriete la tuerca a 20-30 ft. lbs.



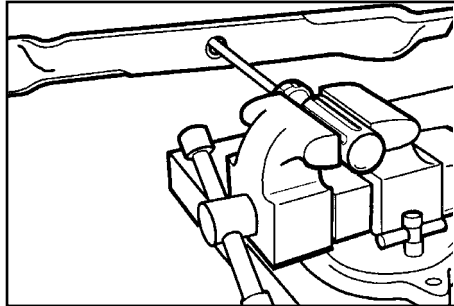
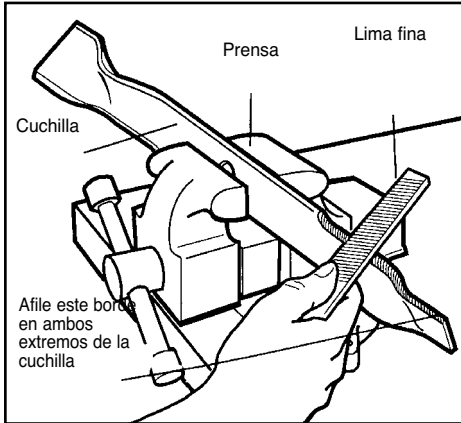
Afilado de la cuchilla

- Conserve la cuchilla afilada para obtener mejor rendimiento de la podadora. Una cuchilla desafilada no corta el pasto en forma uniforme.
- Utilice siempre protección para los ojos.
- Afilan la cuchilla dos veces durante la temporada de podado es suficiente bajo circunstancias normales. La arena desafila la cuchilla rápidamente. Si su suelo tiene tierra arenosa, afile la cuchilla con mayor frecuencia.
- Reemplace las cuchillas dañadas o dobladas inmediatamente.
- Para afilar la cuchilla:
 - Asegúrese que la cuchilla está balanceada.
 - Afile la cuchilla en el ángulo de corte original.
 - Afile los bordes cortantes en ambos extremos de la cuchilla, removiendo la misma cantidad de material de ambos.
 - Asegure la cuchilla en una prensa como se ilustra.
- Utilice gafas de seguridad y tenga cuidado de no cortarse.
- Afile cuidadosamente los bordes cortantes de la cuchilla con una lima de dientes finos o con una piedra de afilar.
- Verifique el balance de la cuchilla. Vea las instrucciones para balancear la cuchilla.

- Vuelva a colocar la cuchilla en la podadora y apriete con firmeza.

BALANCEO DE LA CUCHILLA

- Verifique el balance de la cuchilla colocando la perforación central sobre un clavo o sobre el vástago de un destornillador sujetado en una prensa. Si cualquiera de los extremos gira hacia abajo, afile ese extremo. La cuchilla está balanceada correctamente cuando ninguno de los extremos cae.



MANTENIMIENTO

CUADRO DE RESPONSABILIDADES DEL USUARIO

ITINERARIO DE MANTENIMIENTO LLENE LAS FECHAS EN QUE EFECTUA EL SERVICIO REGULAR	FECHAS DE SERVICIO				
	ANTES DE CADA USO	DESPUES DE CADA USO	CADA 10 HORAS	CADA 25 HORAS	ANTES DE GUARDARLA
Revisión de tornillos flojos	4			4	
Limpieza de la podadora		4		4	
Revisar/Afilar/Cambiar cuchilla			4		

RECOMENDACIONES GENERALES

- Observe siempre las reglas de seguridad cuando efectúe cualquier tipo de mantenimiento.
- La garantía de esta podadora no cubre partes que hayan sufrido maltrato o abuso por parte del operador. Para recibir el valor completo de la garantía, el operador debe dar mantenimiento a la podadora como se indica en este manual.
- Todos los ajustes que se mencionan en las secciones de Ajustes y Servicio deben revisarse por lo menos una vez cada temporada.
- Revise el desgaste en la cuchilla una vez al año.
- Siga el itinerario de mantenimiento de este manual.
- Antes de cada uso revise en busca de tornillos y tuercas flojos.

LUBRICACION

No se requiere lubricación.

IMPORTANTE: No aceite ni engrase los baleros de las ruedas de plástico. Los lubricantes viscosos atraen el polvo y la mugre y acortarán la vida de los baleros auto lubricantes. Si usted piensa que deben ser lubricados, utilice únicamente lubricante de grafito pulverizado.

LLANTAS

- Conserve las llantas libres de gasolina, aceite o pesticidas que puedan dañar el hule.
- Evite baches, piedras, agujeros profundos, objetos afilados y otros peligros que puedan dañar las llantas.

CUIDADO DE LA CUCHILLA

Para obtener mejores resultados, la cuchilla de la podadora debe estar afilada. Reemplace las cuchillas dobladas o dañadas.

LIMPIEZA

- ¡Libere el interruptor de control en presencia del operador, espere a que se detenga la cuchilla y desconecte la podadora!
- ¡Apague la podadora, permita que la cuchilla se detenga y desconecte!
- Utilice únicamente jabón suave y un trapo húmedo para limpiar la podadora. Limpie las ranuras en donde se hayan acumulado desechos en la parte interior de la cubierta. Después de varios usos, verifique que todos los tornillos estén apretados.

EVITE LA CORROSION

- Los fertilizantes y otros productos químicos para jardinería contienen agentes que aceleran la corrosión de los metales. Si poda en áreas en donde se han utilizado fertilizantes u otros químicos, la podadora deberá ser limpiada inmediatamente.
- **⚠ PRECAUTION:** NO vacíe o rocíe agua sobre la podadora para limpiarla.
- No guarde la herramienta en donde hay fertilizantes o agentes químicos ni cerca de ellos, pues esto causa corrosión acelerada.

ESPECIFICACIONES DEL PRODUCTO

NUMERO DE MODELO	900.370510
ALIMENTACION	120 V~, 12 A
VELOCIDAD DE LA CUCHILLA	3600 RPM
CORTE	482,6 mm (19")
PAR DEL TORNILLO DE LA CUCHILLA	20-30 FT.LBS.

SERVICIO Y AJUSTES

⚠ PRECAUTION: Antes de realizar cualquier servicio o ajustes:

- Libere el interruptor de control en presencia del operador y pare el motor.
- Asegúrese que la cuchilla y todas las piezas móviles se hayan detenido.
- Desconecte el cable de alimentación.

DEFLECTOR TRASERO

Refiérase a la sección de operación, "Ajuste de la altura de corte" en este manual.

ALMACENAJE

Prepare su podadora para almacenarla inmediatamente al término de la temporada si no se usará durante 30 días o más. Cuando la podadora deba guardarse por cierto tiempo, límpiela a conciencia, elimine toda la mugre, grasa, hojas, etc. Guárdela en un lugar limpio y seco.

- Limpie la podadora completa (Véase "LIMPIEZA" en la sección de mantenimiento de este manual).
- Asegúrese que todos los tornillos, tuercas y pijas estén apretados. Inspeccione las piezas móviles en busca de daños, rupturas y desgaste. Cambie en caso necesario.

MANGO

Usted puede plegar su podadora para guardarla.

- Asegúrese que el cable esté desconectado.
- Afloje ambas perillas del mango.
- Doble cuidadosamente el mango hacia delante sobre la podadora.

⚠ PRECAUTION: NO machuque el cable entre el mango y la cubierta de la podadora.

TABLA PARA SOLUCION DE PROBLEMAS FRECUENTES

PROBLEMA	CAUSA	CORRECCION
No enciende	<ul style="list-style-type: none"> •El cable no está bien conectado •No hay corriente en la toma •La cuchilla no gira libremente, o la cubierta de la podadora está tapada 	<ul style="list-style-type: none"> •Revise la instalación del cable de extensión en ambos extremos, en la podadora y en la toma de corriente •Revise el interruptor o los fusibles •Desconecte el cable, coloque la podadora de lado y revise la cuchilla. Asegúrese de que esté libre para girar. Verifique también que no esté tapada.
Pobre rendimiento	<ul style="list-style-type: none"> •Pasto muy grueso o muy alto 	<ul style="list-style-type: none"> •Suba la altura de corte de la podadora para cortar 1/3 de la longitud del pasto. •Camine a un paso más lento. •Reduzca el área de corte en caso necesario. •Desconecte el cable, revise que la cubierta no esté bloqueada, verifique el filo de la cuchilla.
Corte pobre – desigual	<ul style="list-style-type: none"> •Cuchilla desgastada, doblada o floja •Cambie la cuchilla. Apriete el tornillo de la cuchilla. 	<ul style="list-style-type: none"> •Desconecte el cable. •Acumulamiento de pasto y hojas debajo de la podadora •Desconecte el cable y limpie la parte inferior de la carcasa de la podadora.
Vibraciones excesivas	<ul style="list-style-type: none"> •Cuchilla desgastada, doblada, desbalanceada o floja •Cambie la cuchilla. Apriete el tornillo de la cuchilla. 	<ul style="list-style-type: none"> •Desconecte el cable •Eje del motor doblado •Contacte a un centro de servicio autorizado.
La podadora se apaga	<ul style="list-style-type: none"> •El interruptor de circuito de la casa se bloquea o un fusible se rompe. •Material extraño impide la rotación de la cuchilla. 	<ul style="list-style-type: none"> •Si la podadora no arranca, revise el interruptor de circuito de la casa o los fusibles. •Desconecte el cable, gire la podadora de cabeza y limpie la cubierta. •Camine más lentamente •Reduzca el área de corte. •Suba la altura de corte.
Difícil de empujar	<ul style="list-style-type: none"> •El pasto está muy alto o la altura de corte es muy baja 	<ul style="list-style-type: none"> •Suba la altura de corte.
La podadora no se a paga al liberar el interruptor de control con presencia del operador.	<ul style="list-style-type: none"> •El interruptor de control con presencia del operador está dañado 	<ul style="list-style-type: none"> •Cambie el interruptor de control con presencia del operador.

Get it fixed, at your home or ours!

Your Home

For repair – **in your home** – of **all** major brand appliances, lawn and garden equipment, or heating and cooling systems, **no matter who made it, no matter who sold it!**

For the replacement parts, accessories and owner's manuals that you need to do-it-yourself.

For Sears professional installation of home appliances and items like garage door openers and water heaters.

1-800-4-MY-HOME[®] Anytime, day or night
(1-800-469-4663) (U.S.A. and Canada)
www.sears.com www.sears.ca

Our Home

For repair of carry-in products like vacuums, lawn equipment, and electronics, call or go on-line for the nearest

Sears Parts and Repair Center.

1-800-488-1222 Anytime, day or night (U.S.A. only)
www.sears.com

To purchase a protection agreement (U.S.A.) or maintenance agreement (Canada) on a product serviced by Sears:

1-800-827-6655 (U.S.A.) **1-800-361-6665** (Canada)

Para pedir servicio de reparación a domicilio, y para ordenar piezas:

1-888-SU-HOGAR[®]
(1-888-784-6427)

Au Canada pour service en français:

1-800-LE-FOYER^{MC}
(1-800-533-6937)
www.sears.ca



© Sears Brands, LLC

® Registered Trademark / TM Trademark / SM Service Mark of Sears Brands, LLC

® Marca Registrada / TM Marca de Fábrica / SM Marca de Servicio de Sears Brands, LLC

^{MC} Marque de commerce / ^{MD} Marque déposée de Sears Brands, LLC

