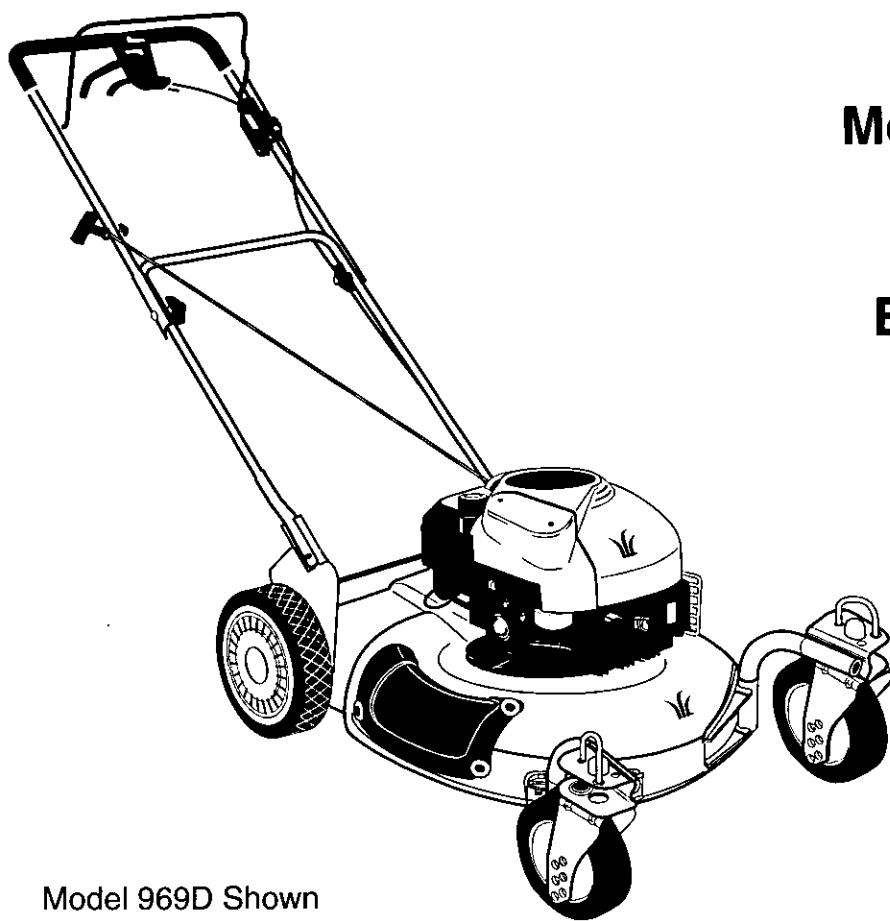




OWNER'S GUIDE



Model 969D Shown

Model Series
950 - 959
960-969
E960-E969



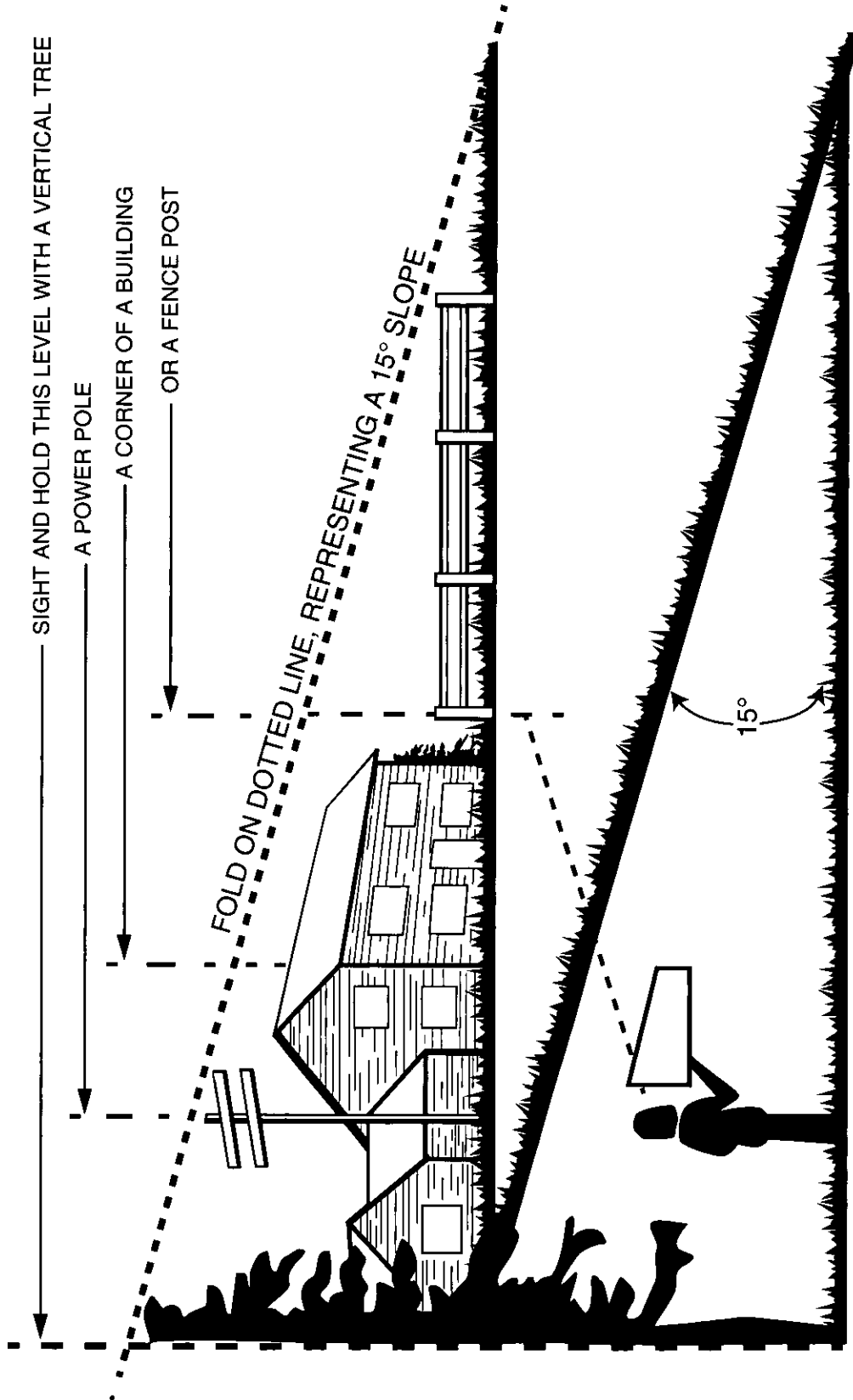
IMPORTANT: READ SAFETY RULES AND INSTRUCTIONS CAREFULLY

Warning: This unit is equipped with an internal combustion engine and should not be used on or near any unimproved forest-covered, brush-covered or grass-covered land unless the engine's exhaust system is equipped with a spark arrester meeting applicable local or state laws (if any). If a spark arrester is used, it should be maintained in effective working order by the operator. In the State of California the above is required by law (Section 4442 of the California Public Resources Code). Other states may have similar laws. Federal laws apply on federal lands. A spark arrester for the muffler is available through your nearest engine authorized service dealer or contact the service department, P.O. Box 368022 Cleveland, Ohio 44136-9722.

MTD PRODUCTS INC. P.O. BOX 368022 CLEVELAND, OHIO 44136-9722

SECTION 1: SLOPE GAUGE

USE THIS PAGE AS A GUIDE TO DETERMINE SLOPES WHERE YOU MAY NOT OPERATE SAFELY.



WARNING

Do not mow on inclines with a slope in excess of 15 degrees (a rise of approximately 2-1/2 feet every 10 feet). A riding mower could overturn and cause serious injury. If operating a walk-behind mower on such a slope, it is extremely difficult to maintain your footing and you could slip, resulting in serious injury.
Operate RIDING mowers up and down slopes, never across the face of slopes.
Operate WALK-BEHIND mowers across the face of slopes, never up and down slopes.

SECTION 2: IMPORTANT SAFE OPERATION PRACTICES



Warning: THIS SYMBOL POINTS OUT IMPORTANT SAFETY INSTRUCTIONS WHICH, IF NOT FOLLOWED, COULD ENDANGER THE PERSONAL SAFETY AND/OR PROPERTY OF YOURSELF AND OTHERS. READ AND FOLLOW ALL INSTRUCTIONS IN THIS MANUAL BEFORE ATTEMPTING TO OPERATE YOUR LAWN MOWER. FAILURE TO COMPLY WITH THESE INSTRUCTIONS MAY RESULT IN PERSONAL INJURY. **WHEN YOU SEE THIS SYMBOL, HEED ITS WARNING.**



Danger: Your lawn mower was built to be operated according to the rules for safe operation in this manual. As with any type of power equipment, carelessness or error on the part of the operator can result in serious injury. This lawn mower is capable of amputating hands and feet and throwing objects. Failure to observe the following safety instructions could result in serious injury or death.

1. GENERAL OPERATION

- Read this owner's guide carefully in its entirety before attempting to assemble this machine. Read, understand, and follow all instructions on the machine and in the manual(s) before operation. Be completely familiar with the controls and the proper use of this machine before operating it. Keep this manual in a safe place for future and regular reference and for ordering replacement parts.
- Your rotary mower is a precision piece of power equipment, not a plaything. Therefore, exercise extreme caution at all times. Your unit has been designed to perform one job: to mow grass. Do not use it for any other purpose.
- Never allow children under 14 years old to operate a power mower. Children 14 years old and over should only operate mower under close parental supervision. Only responsible individuals who are familiar with these rules of safe operation should be allowed to use your mower.
- Keep the area of operation clear of all persons, particularly small children and pets. Stop engine when they are in the vicinity of your mower to help prevent blade contact or thrown object injury. Although the area of operation should be completely cleared of foreign objects, an object may have been overlooked and could be accidentally thrown by the mower in any direction and cause serious personal injury to the operator or any others allowed in the area.
- Thoroughly inspect the area where the equipment is to be used. Remove all stones, sticks, wire, bones, toys and other foreign objects which could be picked up and thrown by the mower in any direction and cause serious personal injury to the operator or any others allowed in the area. Plan your mowing pattern to avoid discharge of material toward roads, sidewalks, bystanders and the like. To help avoid a thrown objects injury, keep children, bystanders and helpers at least 75 feet from the mower while it is in operation.
- Always wear safety glasses or safety goggles during operation or while performing an adjustment or repair, to protect eyes from foreign objects that may be thrown from the machine in any direction.
- Wear sturdy, rough-soled work shoes and close-fitting slacks and shirts. Shirts and pants that cover the arms and legs and steel-toed shoes are recommended. Do not wear loose fitting clothes or jewelry. They can be caught in moving parts. Never operate a unit in bare feet, sandals, slippery or light weight (e.g. canvas) shoes.
- Do not put hands or feet near or under rotating parts. Keep clear of discharge opening at all times as the rotating blade can cause injury.
- Many injuries occur as a result of the mower being pulled over the foot during a fall. Do not hang on to the mower if you are falling; release the handle immediately.
- Never pull the mower toward you while you are walking. If you must back the mower away from a wall or obstruction first look down and behind, and then follow these steps:
 - Step back from the mower to fully extend your arms.
 - Be sure you are well balanced with sure footing.
 - Pull the mower back slowly, no more than half way toward you.
 - Repeat these steps as needed.
- Do not operate the mower while under the influence of alcohol or drugs.
- Do not engage the self-propelled mechanism on units so equipped while starting engine.
- The blade control handle is a safety device. Never attempt to bypass its operation. Doing so makes the safety device inoperative and may result in personal injury through contact with the rotating blade. The blade control handle must operate easily in both directions and automatically return to the disengaged position when released.

- Never operate the mower in wet grass. Always be sure of your footing. A slip and fall can cause serious personal injury. Keep a firm hold on the handle and walk, never run. If you feel you are losing your footing, **RELEASE THE BLADE CONTROL HANDLE IMMEDIATELY** and the blade will stop rotating within three seconds.
- Mow only in daylight or good artificial light.
- Stop the blade when crossing gravel drives, walks or roads.
- If the equipment should start to vibrate abnormally, stop the engine and check immediately for the cause. Vibration is generally a warning of trouble.
- Shut the engine off and wait until the blade comes to a complete stop before removing the grass catcher or unclogging the chute. The cutting blade continues to rotate for a few seconds after the engine is shut off. Never place any part of the body in the blade area until you are sure the blade has stopped rotating.
- Never operate mower without proper guards, grass catcher, plates or other safety protective devices in place.
- Muffler and engine become hot and can cause a burn. Do not touch.
- Only use accessories approved for this machine by the manufacturer. Read, understand, and follow all instructions provided with the approved accessory.
- If situations occur which are not covered in this manual, use care and good judgment. Contact your dealer for assistance.

2. SLOPE OPERATION

For your safety, use the slope gauge included as part of this manual to measure slopes before operating this unit on a sloped or hilly area. If the slope is greater than 15 degrees as shown on the slope gauge, do not operate this unit on that area or serious injury could result.

DO:

- Mow across the face of slopes; never up and down. Exercise extreme caution when changing direction on slopes.
- Watch for holes, ruts, hidden objects, or bumps. Tall grass can hide obstacles.
- Always be sure of your footing. A slip and fall can cause serious personal injury. If you feel you are losing your balance release the blade control handle immediately and the blade will stop in less than 3 seconds.
- **ON MODELS WITH CASTER WHEELS:** Lock both front wheels so they do not pivot while mowing on the face of slopes. To turn the mower, depress the handle and raise the front wheels slightly.

DO NOT:

- Do not mow near drop-offs, ditches or embankments. The operator could lose footing or balance.
- Do not mow slopes greater than 15 degrees as shown on the slope gauge.
- Do not mow on wet grass. Reduced footing could cause slipping.
- **ON MOWERS WITH CASTER WHEELS:** Mow on slopes with casters unlocked since the mower has a tendency to drift down hill.

3. CHILDREN

Tragic accidents can occur if the operator is not alert to the presence of children. Children are often attracted to the mower and the mowing activity. Never assume that children will remain where you last saw them.

- Keep children out of the mowing area and under the watchful care of a responsible adult other than the operator.
- Be alert and turn mower off if a child enters the area.
- Before and while moving backwards, look behind and down for small children or other objects.
- Never allow children under age 14 to operate the mower. Children 14 years of age and above should read and understand the operation instructions and safety rules in this manual.
- Use extreme care when approaching blind corners, shrubs, trees, or other objects that may obscure your vision of a child or hazard.

4. SERVICE

- Use extreme care in handling gasoline and other fuels. They are extremely flammable and the vapors are explosive.
- Use only an approved gasoline container.
- Never remove gas cap or add fuel while the engine is running. Allow engine to cool at least two minutes before refueling.
- Replace gasoline cap securely and wipe off any spilled gasoline before starting the engine as it may cause a fire or explosion.
- Extinguish all cigarettes, cigars, pipes and other sources of ignition.
- Never refuel machine indoors because flammable vapors will accumulate in the area.
- Never store the machine or fuel container inside where there is an open flame or spark such as a gas water heater, space heater, or furnace.
- Never run an engine inside a closed area.
- To reduce fire hazard, keep mower free of grass, leaves, or other debris build-up. Clean up oil or fuel spillage. Allow mower to cool at least 5 minutes before storing.
- Before cleaning, repairing, or inspecting, make certain the blade and all moving parts have stopped.

Disconnect the spark plug wire, and keep the wire away from the spark plug to prevent accidental starting.

- Check the blade and engine mounting bolts at frequent intervals for proper tightness. Also, visually inspect blade for damage (e.g., bent, cracked or worn). Replace with blade which meets original equipment specifications listed in this manual.
- Keep all nuts, bolts, and screws tight to be sure the equipment is in safe working condition.
- Never tamper with safety devices. Check their proper operation regularly.
- After striking a foreign object, stop the engine, remove the wire from the spark plug, and thoroughly inspect the mower for any damage. Repair the damage before starting and operating the mower.

- Never attempt to make a wheel or cutting height adjustment while the engine is running.
- Grass catcher components are subject to wear, damage and deterioration, which could expose moving parts or allow objects to be thrown. For safety protection, frequently check components and replace with manufacturer's recommended parts, when necessary.
- Mower blades are sharp and can cut. Wrap the blade(s) or wear gloves, and use extra caution when servicing them.
- Do not change the engine governor setting or overspeed the engine. Excessive engine speeds are dangerous.



Warning — Your Responsibility: Restrict the use of this power machine to persons who read, understand and follow the warnings and instructions in this manual and on the machine. Three of the safety labels on your mower have been shown below in Figure 1. Please follow the instruction on these labels and maintain safety.



Figure 1

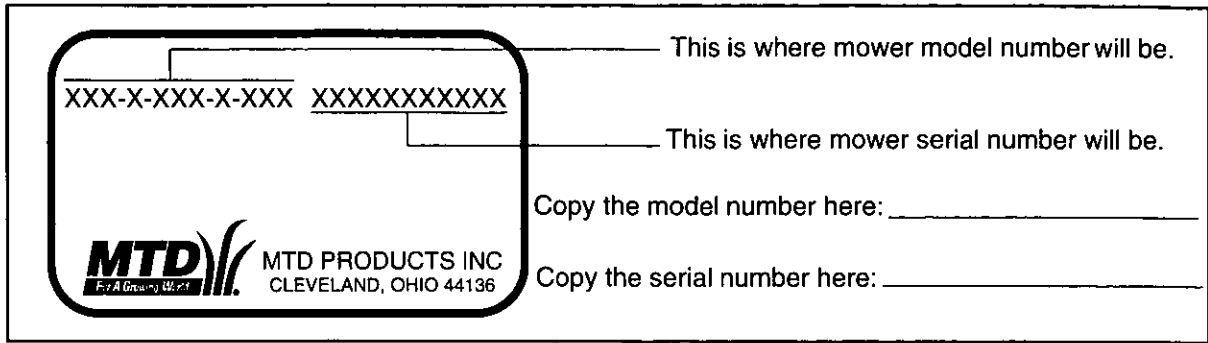
SECTION 3: FINDING MOWER MODEL NUMBER

This Owner's Guide is an important part of your new lawn mower. It will help you assemble, prepare and maintain your mower. Please read and understand what it says.

Before you start to prepare your mower for its first use, please locate the model plate and copy the information from it in this Owner's Guide. The information on the model plate is very important if you need help from your dealer or the Cub Cadet customer support department.

- Every mower has a model plate. You can locate it by standing behind the unit in the operating position and looking down at the cutting deck.

- The model plate will look like Figure 1.



SECTION 4: UNPACKING INSTRUCTIONS

REMOVE UNIT FROM CARTON

- See Figure 2.
- Remove staples, break glue on top flaps, or cut tape at carton end and peel along top flap to open carton.
- Remove loose parts if included with unit (i.e., owner's manual, etc.).
- Cut along dotted lines and lay carton down flat.
- Remove packing material.
- Roll or slide unit out of carton. Check carton thoroughly for loose parts.

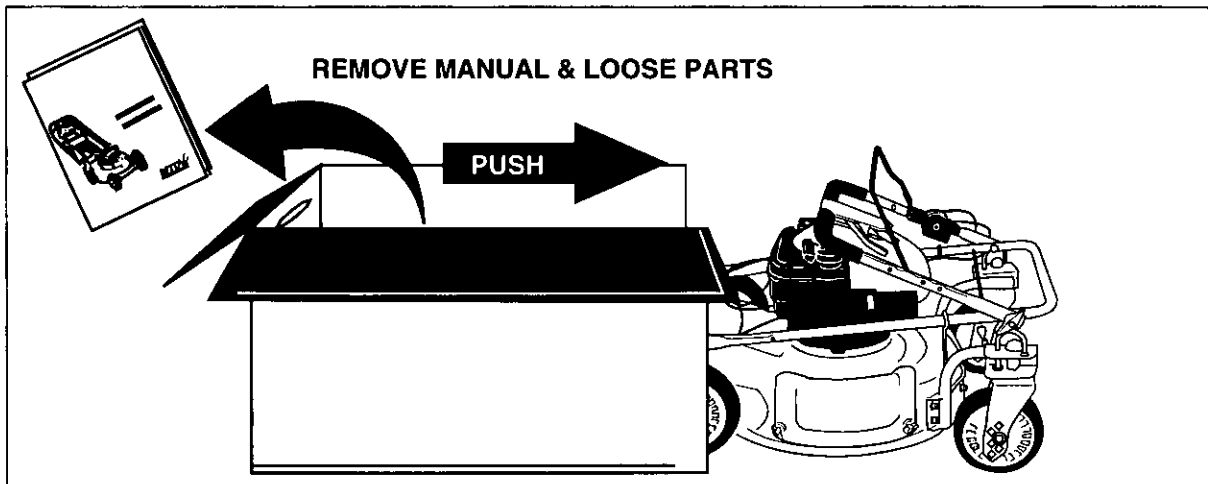


Figure 2

DISCONNECT SPARK PLUG WIRE

Before setting up your lawn mower, disconnect the spark plug wire from the spark plug, and ground it against the engine by attaching rubber boot to a bolt or metal clip to the grounding post on the engine. See Figure 3.

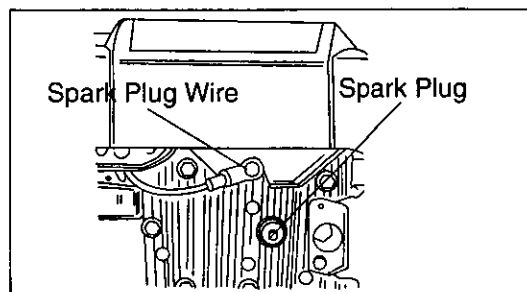


Figure 3

SECTION 5: SET-UP INSTRUCTIONS

This guide covers two model series. Models 950 and 959 have fixed front wheels; models 960 and 969 have caster front wheels. All models are six speed, self propelled mowers. Much of this owner's manual pertains to both models. However, there are some model-specific information too. Use only the information appropriate for your mower model.

ITEMS REQUIRED FOR ASSEMBLY

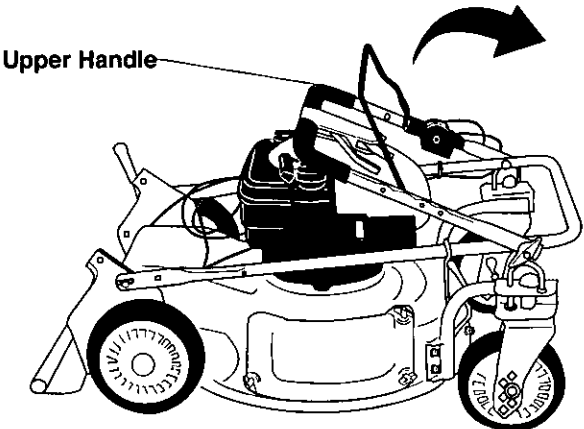
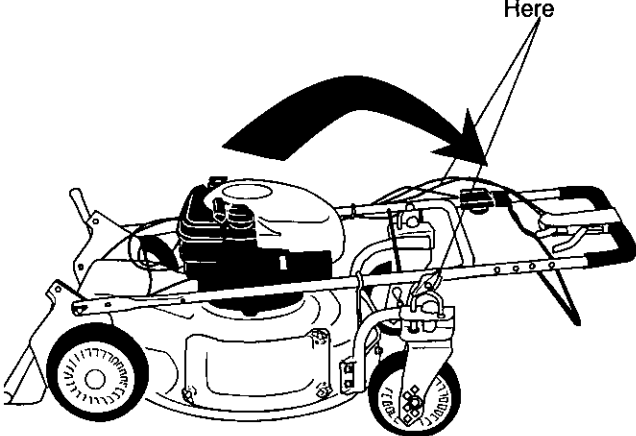
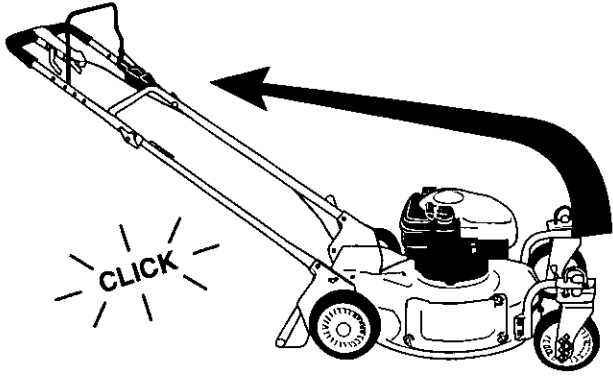
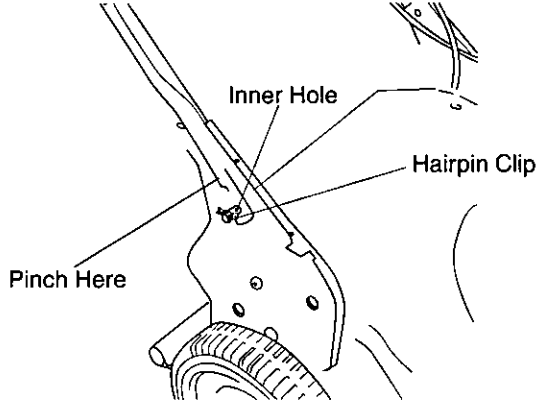
- Pair of Pliers (Not necessary, but helpful)
- Motor Oil
- Fresh Gasoline

IMPORTANT: This unit is shipped WITHOUT GASOLINE in the fuel tank or OIL in the engine. Be certain to service engine with gasoline and oil as instructed in the separate engine manual before operating your mower.

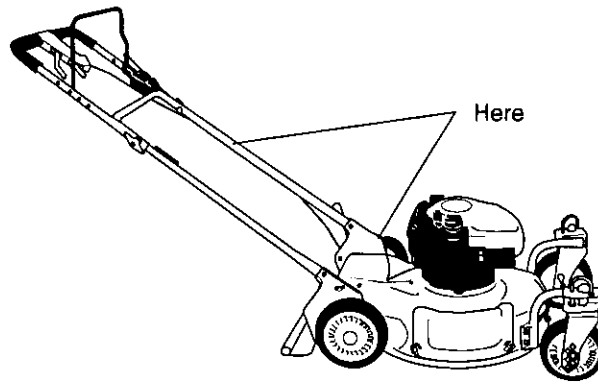
NOTE: Reference to right or left hand side of the mower is observed from the operating position.

SETTING UP YOUR LAWN MOWER

Follow steps 1 through 10 to set up your lawn mower.

<p>Step 1. Lift upper handle. Align it with lower handle.</p>  <p>Upper Handle</p>	<p>Step 2. Tighten wing nuts.</p>  <p>Here</p>
<p>Step 3. Raise complete handle assembly until it clicks into place. Make sure not to kink the control cables.</p>  <p>CLICK</p>	<p>Step 4. Pinch lower handle against mounting bracket with pliers.</p> <p>Step 5. Move hairpin clip from outer to inner hole on handle mounting bracket.</p>  <p>Inner Hole</p> <p>Hairpin Clip</p> <p>Pinch Here</p>

Step 6. Attach control cables to handle with pull ties located on the handle.

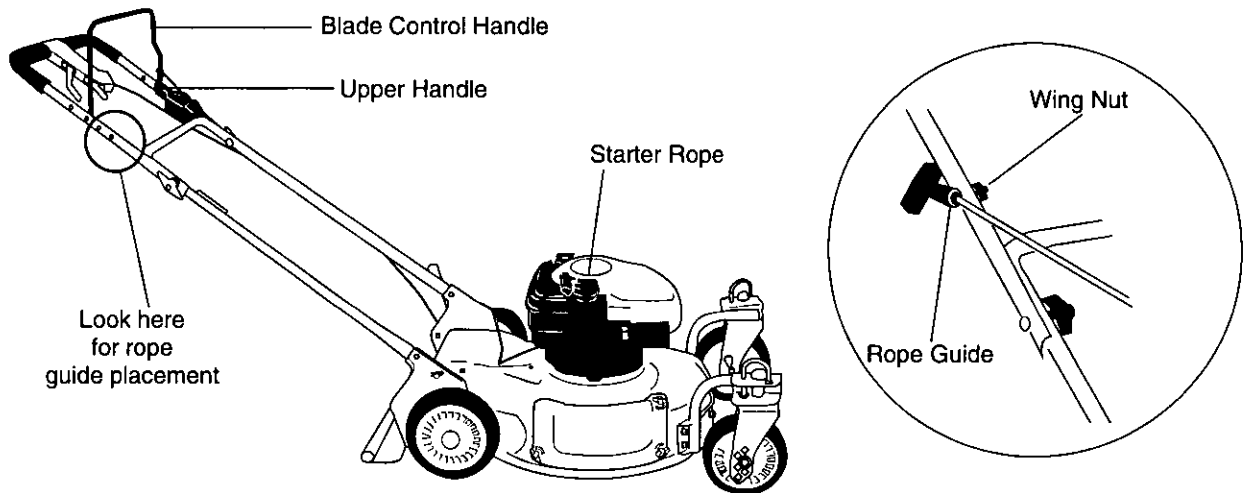


Step 7. Loosen the wing nut holding the rope guide to the upper handle.

Step 8. Squeeze the blade control handle against the upper handle and pull out starter rope slowly.

Step 9. Thread starter rope into rope guide.

Step 10. Tighten wing nut.



- Your mower has been shipped in the lowest cutting position for shipping purposes. Please see the “cutting height adjustment lever” section on page 10 of this owner’s guide to adjust cutting height.

SECTION 6: CONTROLS

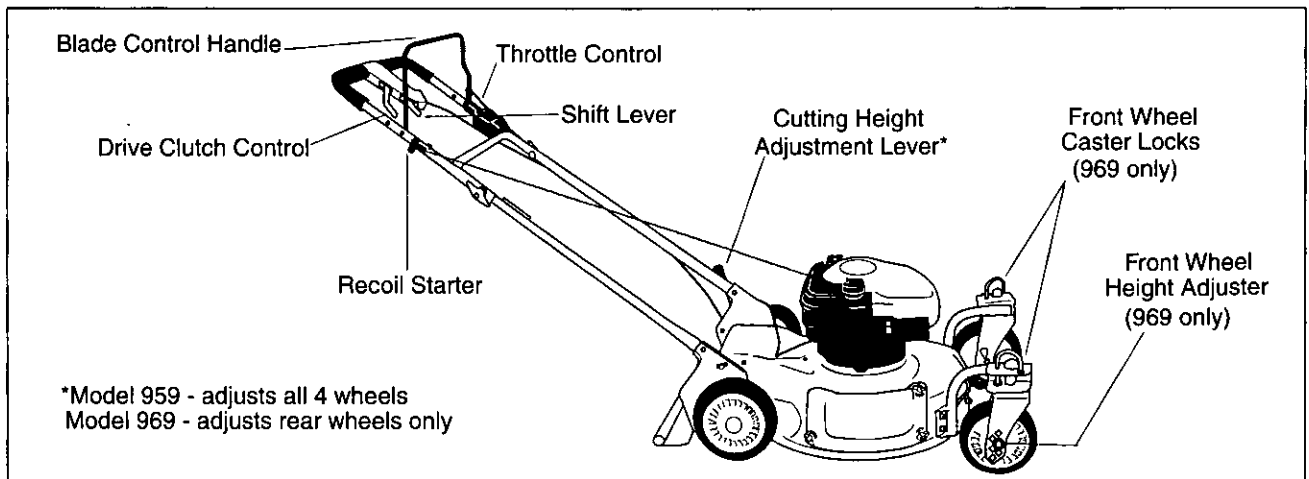


Figure 4

BLADE CONTROL HANDLE

The blade control handle is located on the upper handle of the mower. See Figure 4. The blade control handle must be depressed in order to start and operate the unit. Release the blade control handle to stop the engine and the blade.



WARNING: The blade control handle is a safety device. Never attempt to bypass its operations. The blade will be rotating whenever the engine is running.

THROTTLE CONTROL

The throttle control is located on the left side of the upper handle. It is used to regulate the engine speed. See Figure 4.

- Push the throttle lever forward for fast.
- Pull the throttle lever back for slow.



WARNING: The throttle control cannot be used to stop the engine.

IGNITION SWITCH (Electric Start Unit Only)

The ignition switch is located on the left side of the handle panel. It is used for starting only. See Figure 5.

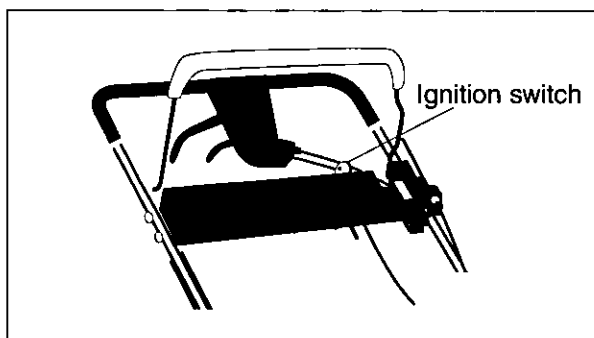


Figure 5 Electric Start Unit Only

RECOIL STARTER

The recoil starter handle is attached to the upper handle. See Figure 4. Stand behind the unit in the operating position to start the unit.

DRIVE CLUTCH CONTROL

Squeeze the drive clutch control to engage the drive system; release to disengage. Release the clutch control to slow down when negotiating an obstacle, making a turn or stopping.

SHIFT LEVER

The shift lever is located on the drive clutch control housing on the upper handle. See Figure 4. This lever is used to select the forward speed of the mower. When changing mower speed, release the drive clutch control.

NOTE: Move the shift lever only when the engine is running. Changing the shift lever setting with the engine off can cause damage to the mower.

CUTTING HEIGHT ADJUSTMENT LEVER (Model 950-959)

The cutting height adjustment lever is located above the left rear wheel. To adjust the cutting height, pull the lever out and away from the mower. Then move it forward or back to the desired cutting height. See Figure 4.

CUTTING HEIGHT ADJUSTMENT LEVER (Model 960-969)

The **rear wheel** cutting height adjustment lever is located above the left rear wheel. To adjust the cutting height, pull the lever out and away from the mower. Move it forward or backward to the desired cutting height. See Figure 4.

The **front wheel** cutting height is determined by the selection of one of six positions in each caster assembly. To adjust, remove the wing nut from the axle bolt. Slide the axle bolt and spring washer from the assembly and select a cutting height. With the spring washer placed on the axle bolt, reinsert the axle bolt in the square hole desired, through the wheel assembly, and secure with the wing nut previously removed. Remember that higher the position, lower the cut. **Important:** All wheels must be placed in the same relative position. For rough or uneven lawns, raise the cutting height of your mower. This will help stop scalping.

CASTER LOCK



Warning: When operating mower on hills, front wheels should be locked in the straight ahead position.

The casters can be locked in a straight ahead position or can be left to swivel freely. Lift and place the lock pins in the larger holes for locked, straight ahead operation, place pins in smaller holes to allow casters to rotate freely.

ENGINE CONTROLS

See the engine manual for the location and function of the controls located on the engine.

SECTION 7: OPERATION



Warning: Keep hands and feet away from the chute area on the cutting deck. See Section 3. The operation of any lawn mower can result in foreign objects being thrown into the eyes, which can result in severe eye damage. Always wear safety glasses or eye shields.

NOTE: For best results raise the cutting position until it is determined which height is best for your lawn. See CUTTING HEIGHT ADJUSTMENT LEVER in the CONTROLS section.

GAS AND OIL FILL-UP

Service the engine with gasoline and oil as instructed in the separate engine manual. Read all instructions carefully.



Warning: Never fill fuel tank indoors, with engine running or until the engine has been allowed to cool for at least two minutes after running.

EACH TIME BEFORE YOU START YOUR MOWER ELECTRIC START UNITS ONLY:



Warning: The battery contains corrosive fluid and toxic material—HANDLE WITH CARE. Keep away from children. Do not puncture, disassemble, mutilate or incinerate the battery. Explosive gases could be vented during charging or discharging. Use in a well ventilated area, away from sources of ignition.

Charging Instructions

Charge battery for 16 hours before initial use. **Do not charge longer than 20 hours.**

IMPORTANT: Use only the battery charger supplied with this mower.

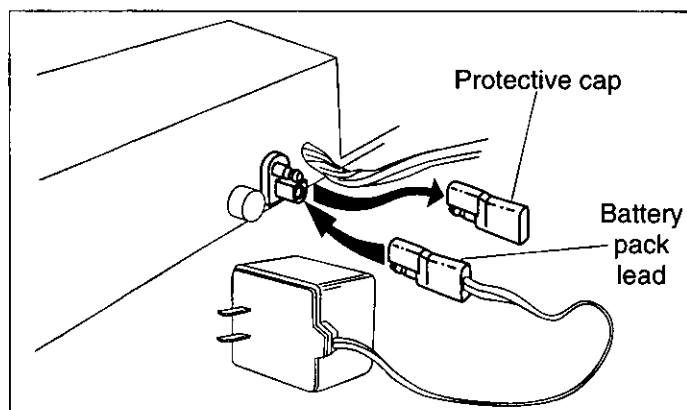


Figure 6

To charge the battery, remove the protective cap from the end of the battery pack lead. Plug charger lead into battery pack lead and then insert battery charger plug into 120 volt standard household outlet. See Figure 6. Follow this order of action every time you charge the battery.

After charging, disconnect battery charger plug from household outlet first, then disconnect charger lead from battery pack lead.



Warning: Do not remove the battery pack from the handle panel for any reason other than replacement. When replacing the battery pack, refer to the instructions in the maintenance section.

All Units:

- Attach spark plug wire to spark plug. Make certain the metal cap on the end of the spark plug wire is fastened securely over the metal tip on the spark plug.
- Check for proper drive clutch operation using the NEUTRAL ADJUSTMENT TEST.

NEUTRAL ADJUSTMENT TEST

To perform the NEUTRAL ADJUSTMENT TEST answer the following questions.

- With the drive clutch control released, push mower forward and pull it backward. Does it move freely?
- Squeeze the drive clutch control and pull the mower backward. Do the rear wheels lock (not turn)?
- Is the drive clutch control cable free of kinks or sharp bends?

If you answered "yes" to all three questions, your mower passed the test and you can start your mower. If you answered "no" to any of the three questions, you need to adjust the drive clutch control following instructions on page 14 of this book.

TO START ENGINE AND ENGAGE BLADE

- Move the throttle control lever all the way forward.
- Prime or choke engine as instructed in the engine manual.
- Stand behind the unit, squeeze and hold the blade control handle against the upper handle.
- **Electric Start:** Turn the ignition key to the right to start the engine. Release the key after the engine starts.
- **Recoil Start:** Grasp starter handle and pull rope out slowly until engine reaches start of compression cycle (rope will pull slightly harder at this point). Let the rope rewind slowly. Pull rope with a rapid, continuous, full arm stroke. Keep a firm grip on starter handle. Return it slowly to the rope guide.
- After engine starts, move throttle control to desired engine speed. (The mower is designed to be operated at full throttle.)

NOTE: If any problems are encountered, refer to the TROUBLE SHOOTING Section of this manual.

TO STOP ENGINE AND BLADE

- Release the blade control handle to stop the engine and the blade.



WARNING: The blade continues to rotate for a few seconds after the engine is shut off.

USING YOUR ROTARY MOWER

Be sure that the lawn is clear of stones, sticks, wire, or other objects which could damage the lawn mower or engine. Such objects could be accidentally thrown by the mower in any direction and cause serious personal injury to the operator and others.

For best results, do not cut wet grass because it tends to stick to the underside of the mower, preventing proper discharge of grass clippings, and could cause you to slip and fall. New grass, thick grass or wet grass may require a narrower cut.

For a healthier lawn, never cut off more than one-third of the total length of the grass. Your lawn should be cut in the fall season as long as there is growth.

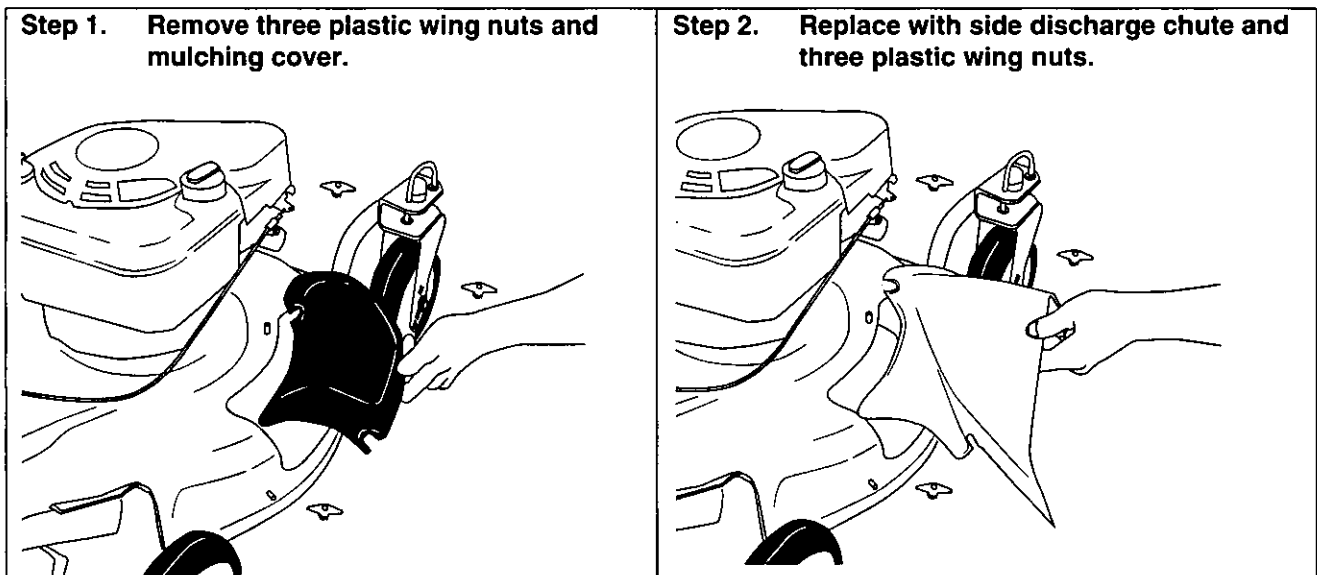
This mower is designed to be operated at full throttle to give you the best cut and do the most effective job of mowing or mulching.



Warning: If you strike a foreign object, stop the engine. Remove wire from the spark plug, thoroughly inspect the mower for any damage, and repair the damage before restarting the mower. Extensive vibration of the mower during operation is an indication of damage. The unit should be promptly inspected and repaired.

SIDE DISCHARGE GRASS CLIPPINGS

This mower can side discharge grass clippings. Follow steps 1 and 2 to ready this mower for side discharge operation.



SECTION 8: ADJUSTMENTS



Warning: Do not at any time make any adjustment to lawn mower without first stopping engine and disconnecting spark plug wire.

HANDLE HEIGHT ADJUSTMENT

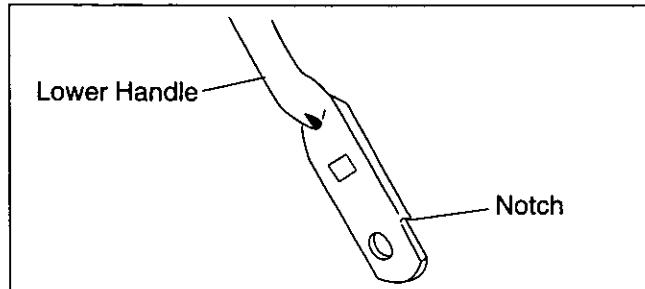


Figure 7

Your mower is shipped with the handle in the higher height position. To lower the handle height, proceed as follows.

- Remove the starter rope from the rope guide.
- Remove the upper handle by removing the hand knobs and carriage bolts. Lay the upper handle out of the way being careful not to bend or kink the cables.
- Remove the hairpin clips from the weld pins on the handle brackets. Press out on the legs of the lower handle. Remove the lower handle from the mower.
- Turn the lower handle around so that the notch on the bottom of the lower handle is facing forward as shown in Figure 7. Reassemble placing the bottom holes in the handle over the weld pins in the handle mounting bracket.
- Reassemble the upper handle to the lower handle.
- Place the hairpin clips in the inner holes in the weld pins and attach the starter rope as instructed in the Set-Up Instructions.

THROTTLE CONTROL ADJUSTMENT

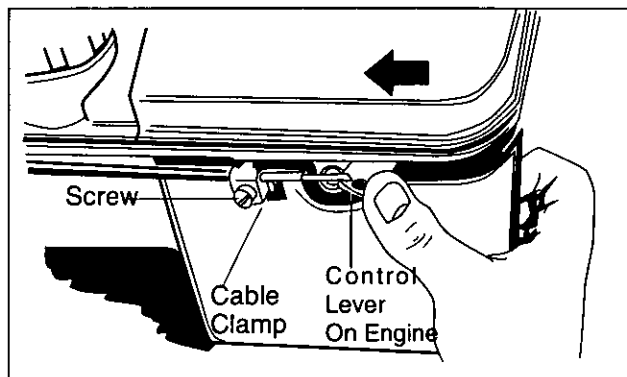


Figure 8

If the throttle control is out of adjustment or if it has been replaced, adjust the throttle control as follows.

- Remove the screw shown in Figure 8. Remove the cable clamp from the cable.
- Push the throttle control lever on the handle all the way forward as far as it will go, then back it off one "click". Make certain the throttle control lever remains in this position.
- Push the control lever on the engine as far toward the rear of the engine as it will go. Secure the cable in this position with the cable clamp and screw.

DRIVE CLUTCH CONTROL ADJUSTMENT

The drive clutch control adjustment wheel is located in the drive clutch control handle housing and is used to tighten or loosen the drive belt. You will have to adjust the drive clutch control if any of the following happens:

- The mower does not propel itself with the drive clutch engaged.
- The mower's drive wheels hesitate with the drive clutch engaged.

To resolve the above problems, rotate the adjustment wheel with your fingers—clockwise to tighten the cable and counter-clockwise to loosen the cable. See Figure 9.

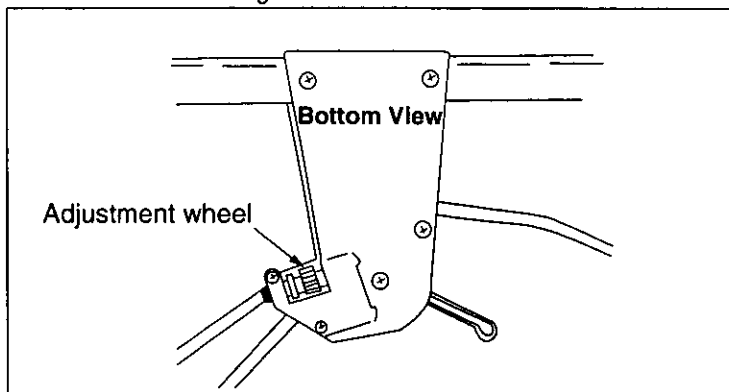


Figure 9

Note: For some operators, the drive clutch handle may not be in a comfortable position. You can adjust the handle by tightening or loosening the adjustment wheel.

SHIFT LEVER CABLE ADJUSTMENT

Periodic adjustment of the six-speed shift cable may be required due to normal wear on the cable. Adjustment is needed if all six speeds do not work.

The adjustable cable bracket is located beside the engine on the left side of the mower. Follow steps 1 through 7 to adjust the shift lever

<p>Step 1. Start engine.</p> <p>Step 2. Place speed control in the sixth speed position.</p> <p>Step 3. Stop engine.</p> <p>Step 4. Disconnect spark plug wire and ground it.</p>	<p>Step 5. Loosen hex nut (A) which secures the adjustable cable bracket.</p> <p>Step 6. Push back on the adjustable cable bracket.</p> <p>Step 7. Tighten hex nut (A).</p>

SECTION 9: MAINTENANCE



WARNING: Be sure to disconnect and ground the spark plug wire before performing any repairs or maintenance.

NOTE: When tipping the unit, empty the fuel tank and keep the engine spark plug side up. Never tip the mower more than 90 degrees and do not leave the mower tipped for any length of time. Oil can drain into the upper part of the engine causing a starting problem.

ENGINE

Refer to the separate engine manual for all engine maintenance instructions.

- Maintain engine oil as instructed in the separate engine manual packed with your unit. Read and follow instructions carefully.
- Service air cleaner every 25 hours under normal conditions. Clean every few hours under extremely dusty conditions. Poor engine performance and flooding usually indicates that the air cleaner should be serviced. To service the air cleaner, refer to the engine manual packed with your unit.
- The spark plug should be cleaned and the gap reset once a season. Spark plug replacement is recommended at the start of each mowing season; check engine manual for correct plug type and gap specifications.
- Clean the engine regularly with a cloth or brush. Keep the cooling system (blower housing area) clean to permit proper air circulation which is essential to engine performance and life. Be certain to remove all grass, dirt and combustible debris from the muffler area.

DECK

The underside of the mower deck should be cleaned after each use to prevent a build-up of grass clippings, leaves, dirt or other matter. If this debris is allowed to accumulate, it will invite rust and corrosion, and may prevent proper mulching, discharge or bagging.

The deck may be cleaned by tilting the mower and scraping clean with a suitable tool (make certain the spark plug wire is disconnected before starting to clean).

ELECTRIC START UNITS ONLY:

BATTERY PACK REPLACEMENT

Remove the battery pack from the handle panel for replacement only. Do not separate the batteries for any reason. Dispose of batteries properly.



Warning: Batteries contain sulfuric acid which may cause burns. Do not short circuit or mutilate batteries in any way. Do not put batteries in fire as these may burst or release toxic materials.

When replacing battery pack in handle panel, battery pack must be positioned with the positive terminal to the right hand side and the negative terminal to the left hand side of panel. Replacing the battery pack incorrectly will cause serious damage. The positive lead on the wire harness has the smaller connector. Connect the positive lead to the positive side of the battery pack, then connect the negative side.

In-line Fuse: The unit is equipped with an in-line fuse. If the unit fails to start, check the fuse inside the battery cover by turning the end of the fuse holder and removing from the battery cover. Replace with standard automotive 7-1/2 amp fuse.

STORAGE OF THE BATTERY

The battery must be stored with a full charge. A discharged battery will freeze.

IMPORTANT: All batteries discharge during storage. Recharge battery every two months and before returning to service. Refer to charging instructions in OPERATION section.

CUTTING BLADE REMOVAL, REPLACEMENT AND SHARPENING

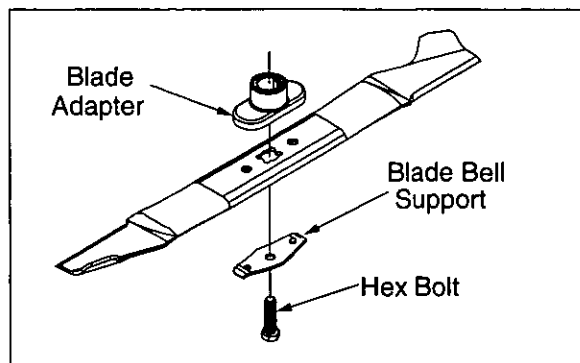


Figure 10

- When removing the cutting blade for sharpening or replacement, protect your hands by using heavy gloves or a rag to handle the blade.
- Remove the bolt and the blade bell support which hold the blade and the adapter to the engine crankshaft.
- Remove the blade and the adapter from the crankshaft.



Warning: Periodically inspect the blade adapter for cracks, especially if you strike a foreign object. Replace when necessary.

When sharpening the blade, follow the original angle of grind as a guide. It is extremely important that each cutting edge receives an equal amount of grinding to prevent an unbalanced blade. An unbalanced blade will cause excessive vibration when rotating at high speeds. It may cause damage to the mower, and it could break causing personal injury.

The blade can be tested by balancing it on a round shaft screwdriver. Remove metal from the heavy side until it balances evenly. It is recommended that the blade be removed from the adapter when testing for balance.

Before reinstalling the blade and the blade adapter to the unit, lubricate the engine crankshaft and the inner surface of the blade adapter with light oil.

- Be sure to install the blade with the side of the blade marked "Bottom" (or with part number) facing the ground when the mower is in the operating position.
- Slide the blade adapter onto the engine crankshaft.
- Place the blade on the adapter. Be certain the blade is aligned with and seated onto the blade adapter flanges.
- Place the blade bell support on the blade. Make sure the notches on the blade bell support are aligned with the small holes in the blade.
- Replace hex bolt.
- Tighten hex bolt to torque: 450 in. lbs. min., 600 in. lbs. max.

NOTE: To ensure safe operation of your unit, the blade bolt must be checked periodically for correct torque.

DRIVE BELT REMOVAL AND REPLACEMENT

Step 1. Disconnect the spark plug wire and ground it against the engine.

Step 2. Drain the fuel tank or place a piece of plastic beneath the cap to prevent gasoline leakage.

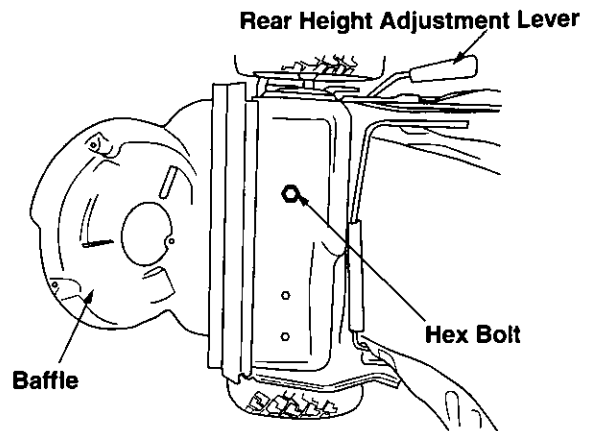
Step 3. Place shift lever in the first position.

Step 4. Tip the mower on its side. Block securely.

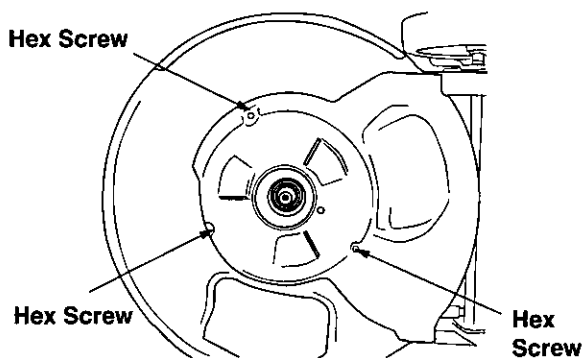
Step 5. Remove the center bolt which secures the blade to the crankshaft. Remove the blade, and the blade adapter, wave washer, and spacer. Refer to Cutting Blade Removal, Replacement and Sharpening in the Maintenance Section.

Step 6. Move rear height adjuster to the sixth position.

Step 7. Remove the hex bolt holding the transmission to the mower housing.



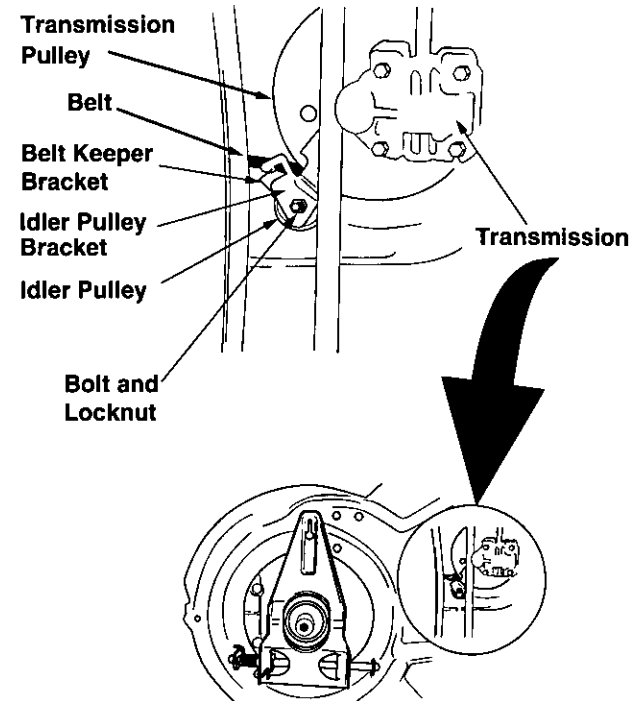
Step 8. Using a 3/8" socket, remove three hex screws holding the baffle to the deck.



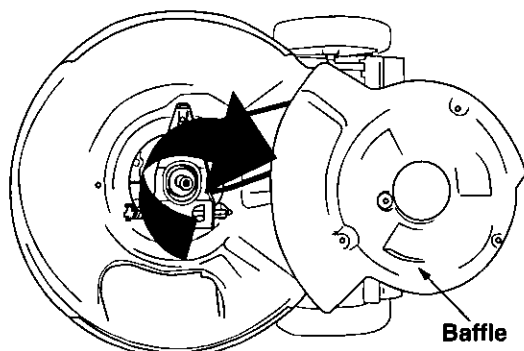
Step 9. Tilt the transmission forward and loosen the idler pulley bolt and locknut 1/2 turn using two 7/16" wrenches.

Step 10. Using a pair of pliers, pull back and rotate belt keeper bracket from the slot on idler pulley.

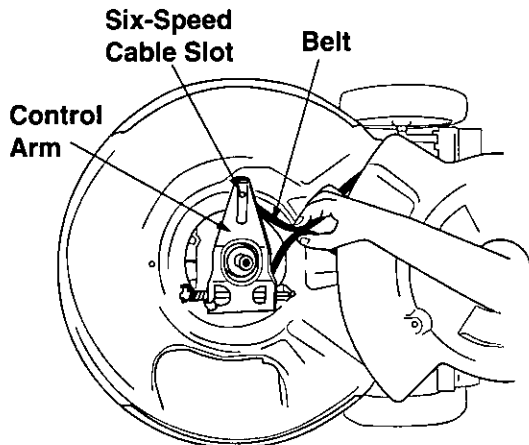
Step 11. Slide the belt out from between the Belt Keeper Bracket and the idler pulley.



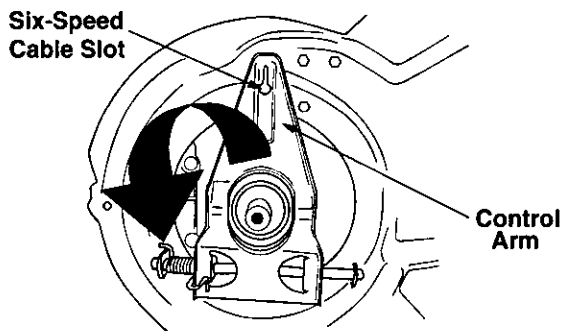
Step 12. Pivot baffle towards the rear of the mower.



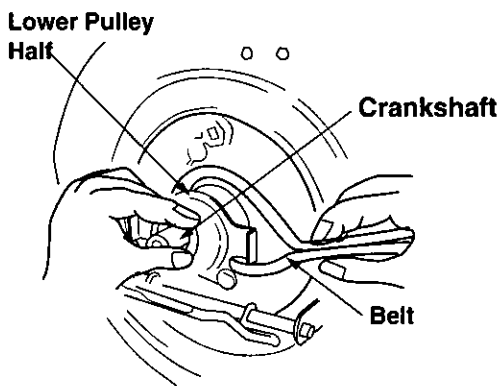
Step 13. Squeeze the belt together and push belt forward. Press the control arm inward towards the deck and remove the six speed cable from the slot.



Step 18. Pivot the control arm down away from the pulley and belt.



Step 19. Lift off the lower pulley assembly and remove the old belt from around the crankshaft.

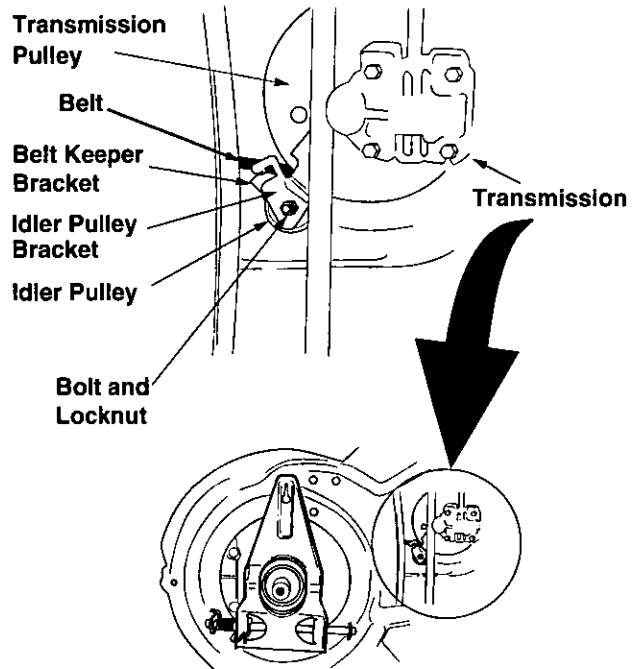


Step 14. Place the new belt over the transmission pulley. Start the belt in pulley groove and rotate pulley until belt is seated in transmission pulley.

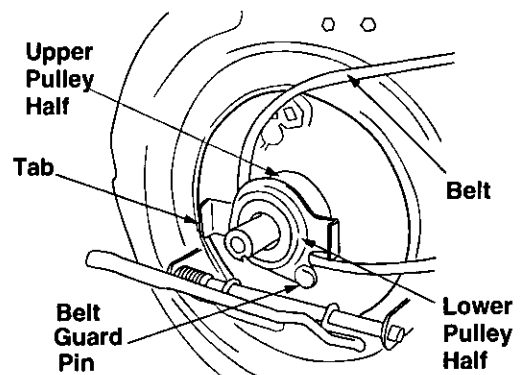
Step 15. Place belt between idler pulley and the belt keeper bracket.

Step 16. Using pliers, rotate the belt keeper bracket so that it snaps into slot on the idler bracket.

Step 17. Tighten the idler pulley bolt and locknut 1/2 turn using two 7/16" wrenches.

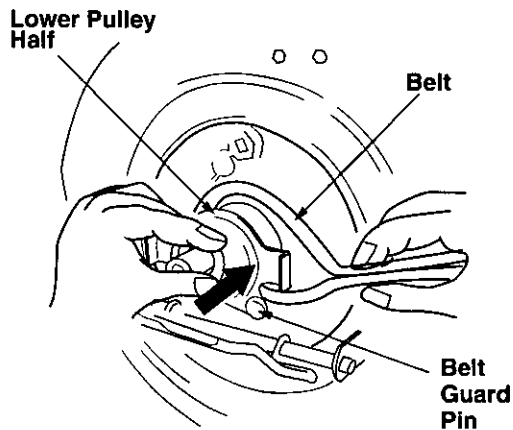


Step 20. Place belt between the two pulley halves on the crankshaft. Make sure to route the belt inside the belt guard pin.



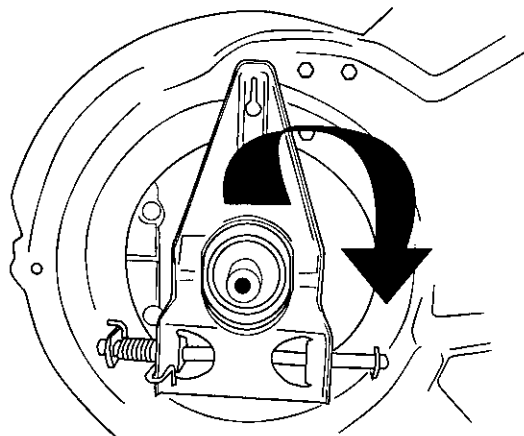
IMPORTANT: When changing the belt, do not disassemble the lower pulley assembly.

Step 21. Pinch belt together so that it is not in the pulley groove, and the lower pulley can be pushed towards the engine.



Step 22. Pivot the control arm back to its original position and reinstall the six-speed cable into the slot.

Step 23. Check and make sure the belt is routed inside the pulley halves and the belt guard pin.



Step 24. Reinstall the bolt securing transmission to rear mower housing.

Step 25. Pivot the baffle back to its original position and secure with three hex screws earlier removed. You will need a 3/8" socket for these screws.

Step 26. Lightly lubricate the inside of the blade adapter and reinstall spacer, wave washer, blade adapter assembly and the blade in the correct order.

Step 27. Tighten the hex bolt to secure the blade. Follow recommended torque which is 450-600 in. lbs.

SECTION 10: LUBRICATION



WARNING: Always stop engine and disconnect spark plug wire before cleaning, lubricating or doing any kind of work on the lawn mower.

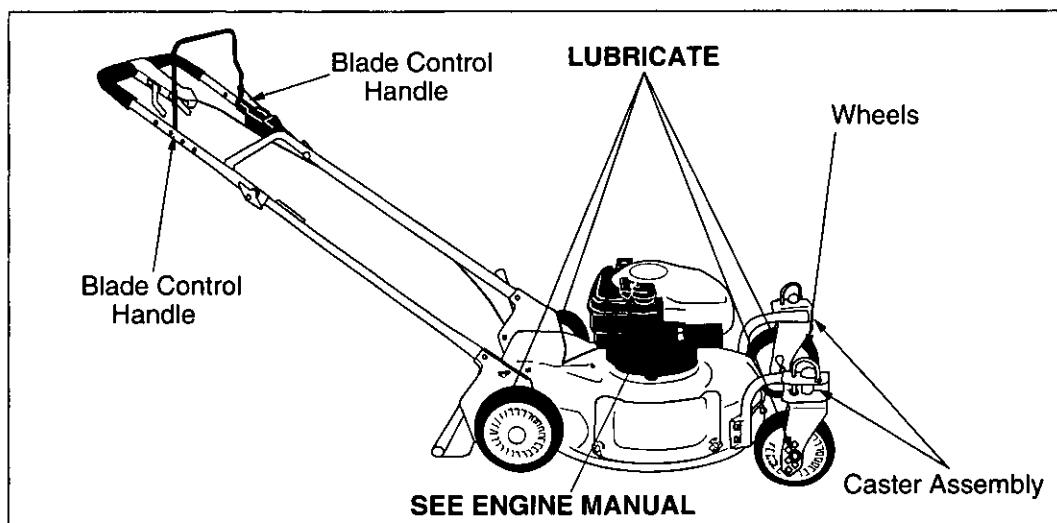


Figure 11

Blade Control: Lubricate the pivot points on the blade control handle and the brake cable at least once a

season with light oil. See Figure 11. The blade control must operate freely in both directions.

Wheels: Lubricate the wheel at least once a season with light oil (or engine oil). Also, if the wheels are removed for any reason, lubricate the surface of the axle bolt and the inner surface of the wheel with light oil. See Figure 11.

Caster Assembly (960-969 only): Grease fittings are provided for easy lubrication of the swivel pins located on the front caster assembly.

Engine: Follow engine manual for lubrication instructions.

SECTION 11: OFF-SEASON STORAGE

The following steps should be taken to prepare lawn mower for storage.

- Clean and lubricate mower thoroughly as described in the lubrication instructions.
- Refer to engine manual for correct engine storage instructions.
- Coat mower's cutting blade with chassis grease to prevent rusting.
- Follow battery storage instructions on page 15 (Electric Start Units Only).
- Store mower in a dry, clean area. Do not store next to corrosive materials, such as fertilizer.

NOTE: When storing any type of power equipment in an unventilated or metal storage shed, care should be taken to rust-proof the equipment. Using a light oil or silicone, coat the equipment, especially cables and all moving parts.

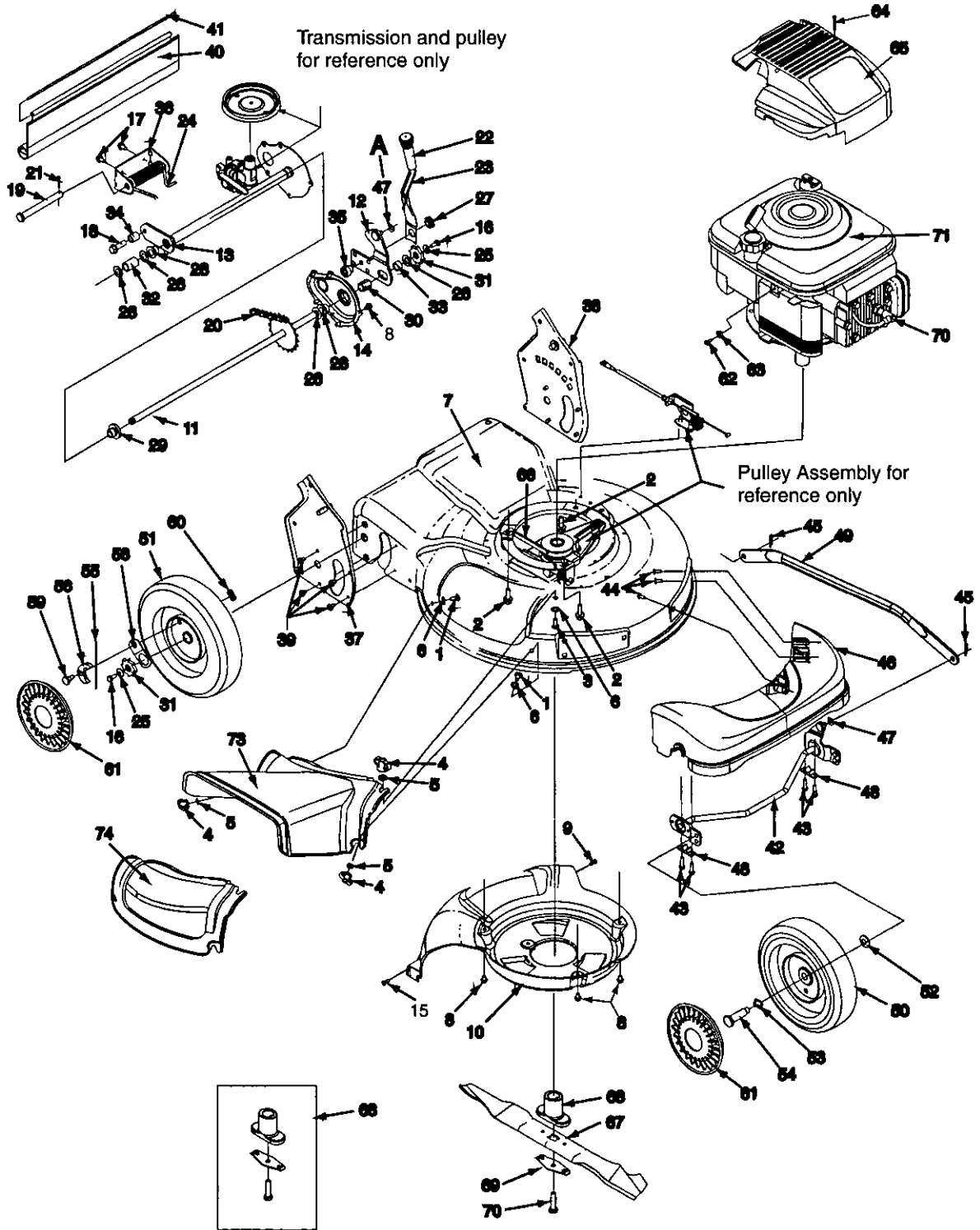
SECTION 12: TROUBLE SHOOTING GUIDE

Trouble	Possible Cause(s)	Corrective Action
Engine fails to start	Blade control handle disengaged. Spark plug wire disconnected. Throttle control lever not in correct starting position. Fuel tank empty, or stale fuel. Blocked fuel line. Faulty spark plug. Engine flooded.	Engage blade control handle. Connect wire to spark plug. Move throttle lever to FAST or START position. Fill tank with clean, fresh gasoline. Clean fuel line. Clean, adjust gap or replace. Crank engine with throttle in FAST position.
Engine runs erratic	Unit running in START position. Spark plug wire loose. Blocked fuel line or stale fuel. Vent in gas cap plugged. Water or dirt in fuel system. Dirty air cleaner. Carburetor out of adjustment.	Move throttle lever to FAST position. Connect and tighten spark plug wire. Clean fuel line; fill tank with clean, fresh gasoline. Clear vent. Drain fuel tank. Refill with fresh fuel. Clean air cleaner. Adjust carburetor.
Engine overheats	Engine oil level low. Air flow restricted. Carburetor not adjusted properly.	Fill crankcase with proper oil. Remove blower housing and clean. Adjust carburetor.
Occasional skip (hesitates) at high speed	Spark plug gap too close.	Adjust gap to .030".
Idles poorly	Spark plug fouled, faulty or gap too wide. Carburetor improperly adjusted. Dirty air cleaner.	Reset gap to .030" or replace spark plug. Adjust carburetor. Clean air cleaner.
Excessive vibration	Cutting blade loose or unbalanced. Bent cutting blade.	Tighten blade and adapter. Balance blade. Replace blade.
Mower will not mulch grass	Engine speed too low. Wet grass. Excessively high grass. Dull blade.	Set throttle between 3/4 and full throttle. Do not mow when grass is wet; wait until later to cut. Mow once at a high cutting height, then mow again at desired height or make a narrower cutting swath (1/2 width). Sharpen or replace blade.
Uneven cut	Wheels not positioned correctly. Dull blade.	Place all four wheels in same height position. Sharpen or replace blade.

Refer to separate engine manual packed with your mower for more engine related information.

NOTE: For repairs beyond the minor adjustments listed above, contact your nearest authorized service dealer.

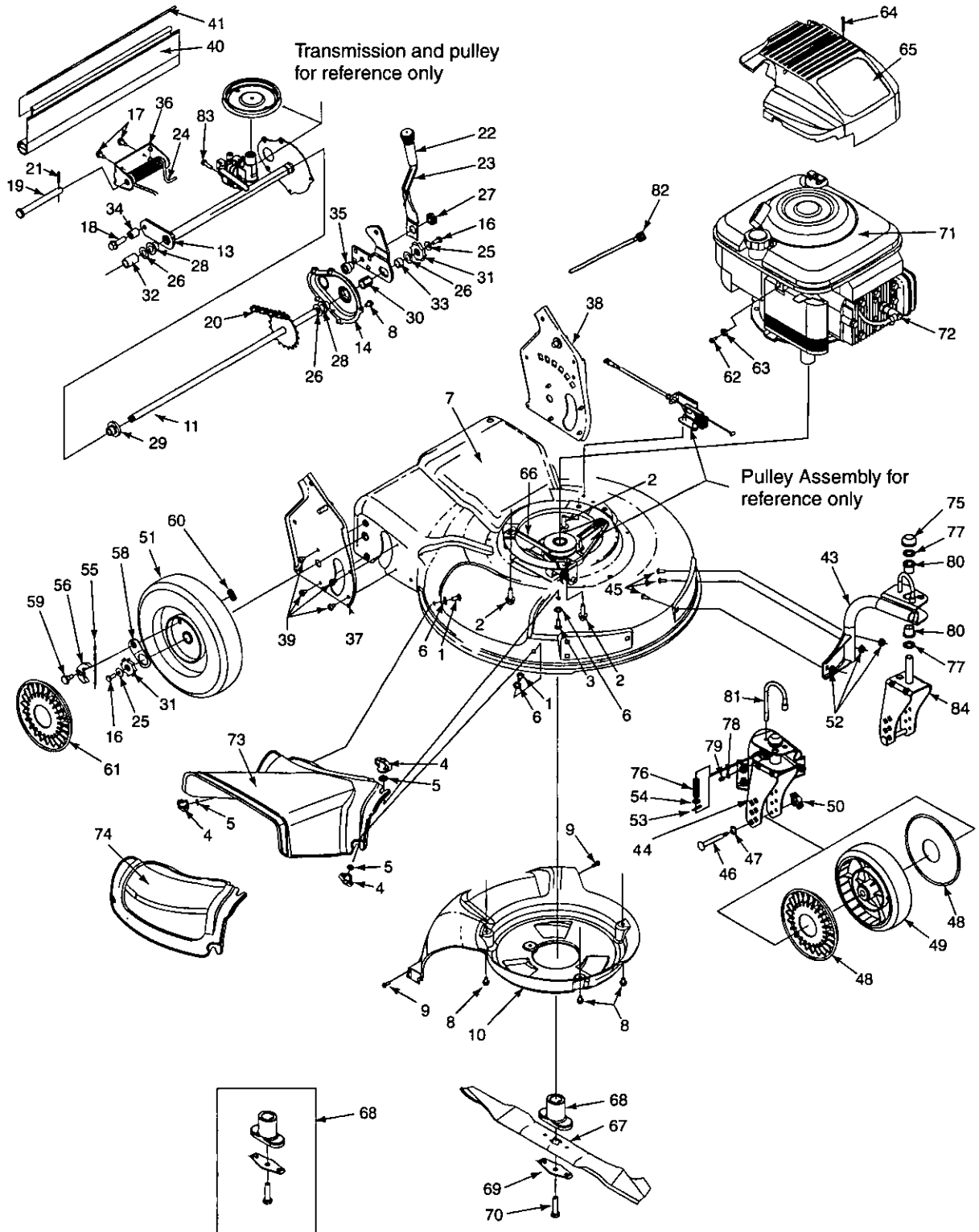
Model 959



Model 959

Ref. No.	Part No.	Code	Description	Ref. No.	Part No.	Code	Description
1	710-0134		Scr. Carr. 1/4-20 x .62	39	710-1348		Scr. AB 1/4-14 x .500
2	710-0654A		Scr. TT:3/8-18:1.00	40	731-1901		Trail Shield
3	710-0703		Scr. 1/4-20 x .750	41	732-0842		Trail Shield Wire
4	712-0397		Wing Nut 1/4-20	42	611-0064-0498		Fr. Axle Ass'y.
5	723-0233		Nut, Push .25 I.D. x .50 O.D.	43	710-1241		Hx Scr. Wash Hd. Hi.-Lo.
6	736-0204		Wash. Fl. .334 I.D.x .62 x.03	44	710-1242		Scr. Torx, Truss Hi.-Lo.
7	782-0046-0498		Deck - 21"	45	714-0104		Cotter Pin .072 x 1.12 Lg.
8	710-0653		Scr. TT. 1/4-20 x .375	46	731-1836		Fr. Axle Cover
10	731-1828		Baffle	47	736-0286		Bowed Washer
11	638-0012		Rear Axle Ass'y	48	741-0492A		Bush. Block .505 Dia. x .62
12	682-0531		Pivot Arm Ass'y	49	782-0565-0498		Control Arm
13	682-7526		Trans. Axle Ass'y	50	734-1857		Wheel 7 x 2 Link Black
14	682-7528		Chain Cover Ass'y	51	734-1838		Wheel 9 x 2 Link Beige, Sleeve
15	710-0969	N	Scr., Truss Machine TT 1.0"	52	736-0105		Spr. Wash. .401 x .870 x .063
16	710-0751		Cap Screw HH 1/4-20 x .620	53	736-0504		Wave Wash .510 x .750 x .017
17	710-0896		Scr., AB 1/4-14 x .825	54	738-0102		Shldr Scr .498 x 1.445 x3/8-16
18	710-1315		Scr., 3/8 116 x .25	55	10622B		Spring, Ratchet, Plastic
19	711-0835		Clevis Pin .50 Dia. x 4.82 Lg.	56	748-0381		Pawl - R.H.
20	713-0453		Chain-Endls. #48 .500P x 24L	57	748-0188B		Pawl - L.H. (Not Illustrated)
21	714-0474		Cotter Pin .125O.D. x .75	58	16855		Ratchet Pawl Plate
22	720-0223		Grip	59	731-1888		Hubcap
23	732-0803A	N	Spring Lever	60	712-0414		Top Lock Tab Weld Nut 1/4-20
24	732-0832		Torsion Spring	61	731-0982A		Hubcap
25	736-0270		Bell Wash. .285 x .75 x .082	62	710-1237		Screw .620 Hx. Slit. Wsh.
26	736-0369		Fl. Wash..508 I.D. 1.000 x.020	63	751B213146		Casing Clamp, Throttle
27	738-0529		Nut Shld. .825 Dia. x .165 Lg.	64	710-1256		Scr. Hi-Lo #10 x 1.25
28	741-0324		Hx.Flg. Brg..506 I.D. x .590 L.	65	751B281440		Shroud
29	741-0522		Hx.Flg. Brg. .506 I.D. x.715 L.	66	754-0460		Belt
30	741-0978		Hx. Slv. Brg..504 I.D. x .830 L.	67	742-0741		21" Mulching Blade
31	748-0318		Wheel Ratchet	68	753-0609		Blade Adapter Kit
32	750-0151		Spa. .550 I.D. x /750 O.D.	69	736-0524A		Blade Bell Suport
33	750-0515		Spa. .51 .D. x .70 O.D. x 38 L.	70	710-1257		Hex Bolt 3/8-24x2.5"Lg.
34	750-0807		Spa. .385 x .624 x .700	71			Engine
35	750-1056		Shld. Spa. .385 I.D. X .715 Lg.	72	735-0639		Spark Plug Insulator
36	782-0568		Brkt. - Ht. Adj. Spring	73	731-1832		Side Discharge Chute
37	682-3052-0662		Handle Brkt. Assembly R.H.	74	731-1833		Mulch Cover
38	682-3053-0498		Handle Brkt. Assembly L.H.	75	710-0604		Scr. Hex. 5/15-18
				76	725-0157		Cable Tie

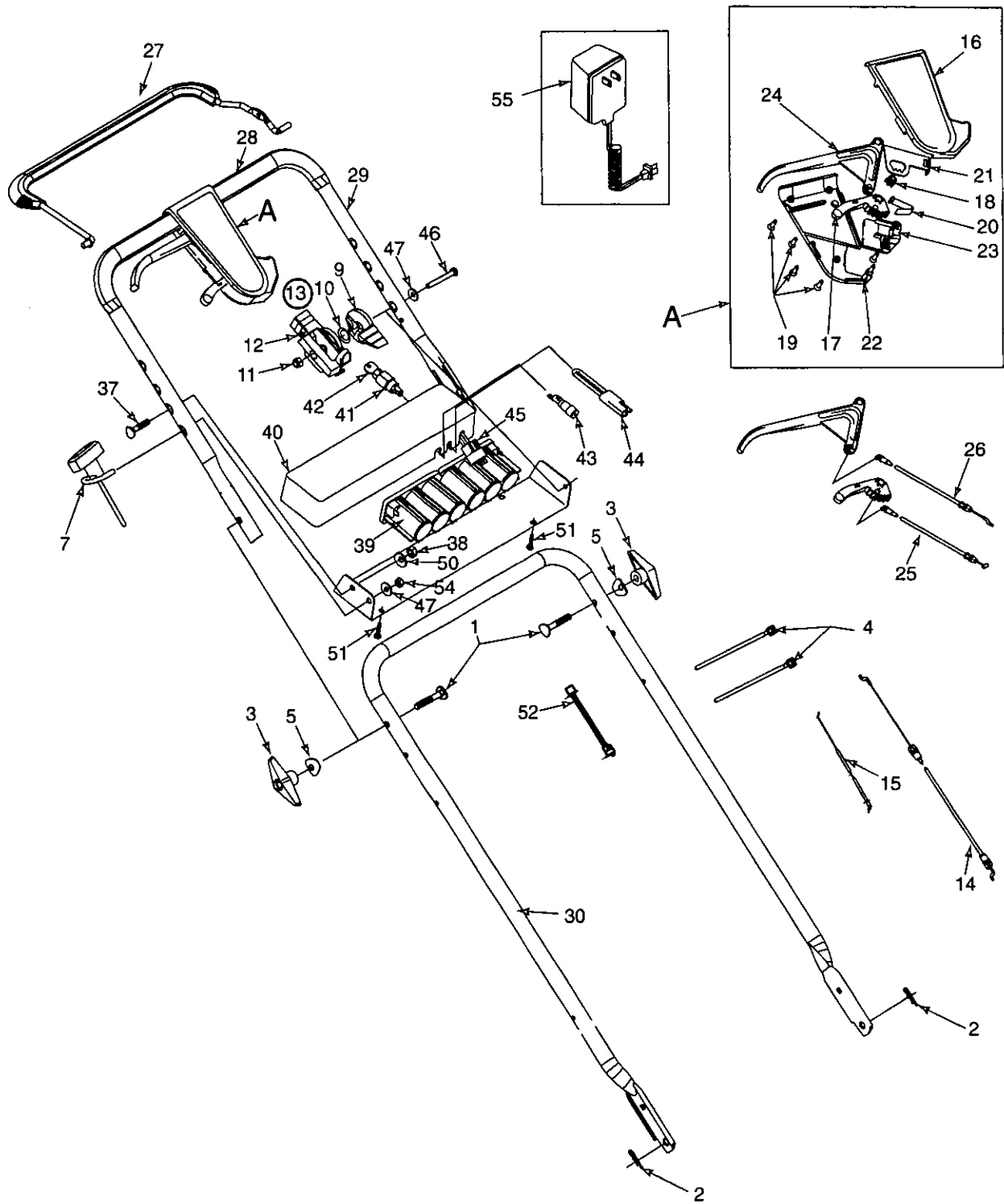
Models 969/E969



Models 969/E969

Ref. No.	Part No.	Code	Description	Ref. No.	Part No.	Code	Description
1	710-0134		Scr. Carr. 1/4-20 x .62	43	682-9021A-0498	N	Caster Ass'y L.H.
2	710-0654A		Scr. TT:3/8-18:1.00				
3	710-0703		Scr. 1/4-20 x .750	44	682-9024A-0498		Brkt. Ass'y, Wheel Caster RH
4	712-0397		Wing Nut 1/4-20				
5	723-0233		Nut, Push .25 I.D. x .50 O.D.	45	710-0260		Carr. Bolt 5/16-18 x .62
6	736-0204		Wash. Fl. .334 I.D.x .62 x.03	46	711-1146		Caster Axle .374 Dia. x 2.50"
7	782-0046-0498		Deck - 21"	47	736-0232		Wave Wash.
8	710-0653		Scr. TT. 1/4-20 x .375	48	731-1888		Hub Cap Whole Gray
9	710-0969	N	Scr. Truss Machine TT	49	734-1857	N	Wheel 7 x 2, Caster Black
10	731-1828		Baffle	50	712-0397		Wing Nut 1/4-20 Thd.
11	638-0012		Rear Axle Ass'y	51	734-1838		Wheel 9 x 2 Link Gray,
12	782-0566		Pivot Arm Ass'y	52	712-3004A		Lock Nut 5/16-18
13	682-7526		Trans. Axle Ass'y	53	714-0104		Pin, Cotter .072 x 1.12
14	682-7528		Chain Cover Ass'y	54	736-0264		Fl. Wash. .330 x .830 x .06
16	710-0751		Cap Screw HH 1/4-20 x .620	55	10622B		Spring, Ratchet, Plastic
17	710-0896		Scr. AB 1/4-14 x .825	56	748-0381		Pawl - R.H.
18	710-1315		Scr. 3/8 116 x .25	57	748-0188B		Pawl - L.H. (Not shown)
19	711-0835		Clevis Pin .50 Dia. x 4.82	58	16855		Ratchet Pawl Plate
20	713-0453		Chain-Endls.	59	738-0137A		Shld. Scr. .340 x .285
21	714-0474		Cotter Pin .125O.D. x .75	60	712-0414		Top Lock Weld Nut 1/4-20
22	720-0223		Grip	61	731-0982A		Hubcap - Gray
23	732-0803A	N	Spring Lever	62	710-1237		Screw .620 Hx. Slit. Wsh.
24	732-0832		Torsion Spring	63	751B213146		Casing Clamp, Throttle
25	736-0270		Bell Wash. .285 x .75 x .082	64	710-1256		Scr. Hi-Lo #10 x 1.25
26	736-0369		Fl. Wash..508 I.D.	65	751B281394		Shroud - Gray
27	738-0529		Nut Shld. .825 Dia. x .165	66	754-0460		Belt
28	741-0324		Hx.Flg. Brg..506 I.D. x .590	67	742-0741		21" Mulching Blade
29	741-0522		Hx.Flg. Brg. .506 I.D. x.715	68	753-0609		Blade Adapter Kit
30	741-0978		Hx. Slv. Brg..504 I.D. x .830	69	736-0524A		Blade Bell Suport
31	748-0318		Wheel Ratchet	70	710-1257		Hex Bolt 3/8-24x2.5"Lg.
32	750-0151		Spa. .550 I.D. x /750 O.D.	71	—		Engine
33	750-0515		Spa. .51 .D. x .70 O.D. x 38	72	735-0639		Spark Plug Insulator
34	750-0807		Spa. .385 x .624 x .700	73	731-1832		Side Discharge Chute
35	750-1056		Shld. Spa. .385 I.D. X .715	74	731-1833		Mulch Cover
36	782-0568		Brkt. - Ht. Adj. Spring	75	726-0214		Push Cap
37	682-3052-0498		Handle Brkt. Assembly R.H.	76	732-0306		Compression Spring
38	682-3053-0498		Handle Brkt. Assembly L.H.	77	736-0366		Fl. Wash. 5/8 O.D. x 1" O.D.
39	710-1348		Scr. AB 1/4-14 x .500	78	736-0931		Fl. Wash. .203 I.D. x .403
40	731-1901		Trail Shield	79	737-3000		Fitting - Lube
41	732-0842		Trail Shield Wire	80	741-0685		Flange Bearing
42	682-9020A-0498	N	Caster Ass'y R.H (Not Shown)	81	747-0924		Lock Pin: Front Wheel
				82	725-0157		Cable Tie
				83	710-0604		Hex Scr. 5/16-18
				84	682-9026-0498	N	Bracket Assembly, Wheel Caster LH

Models E969

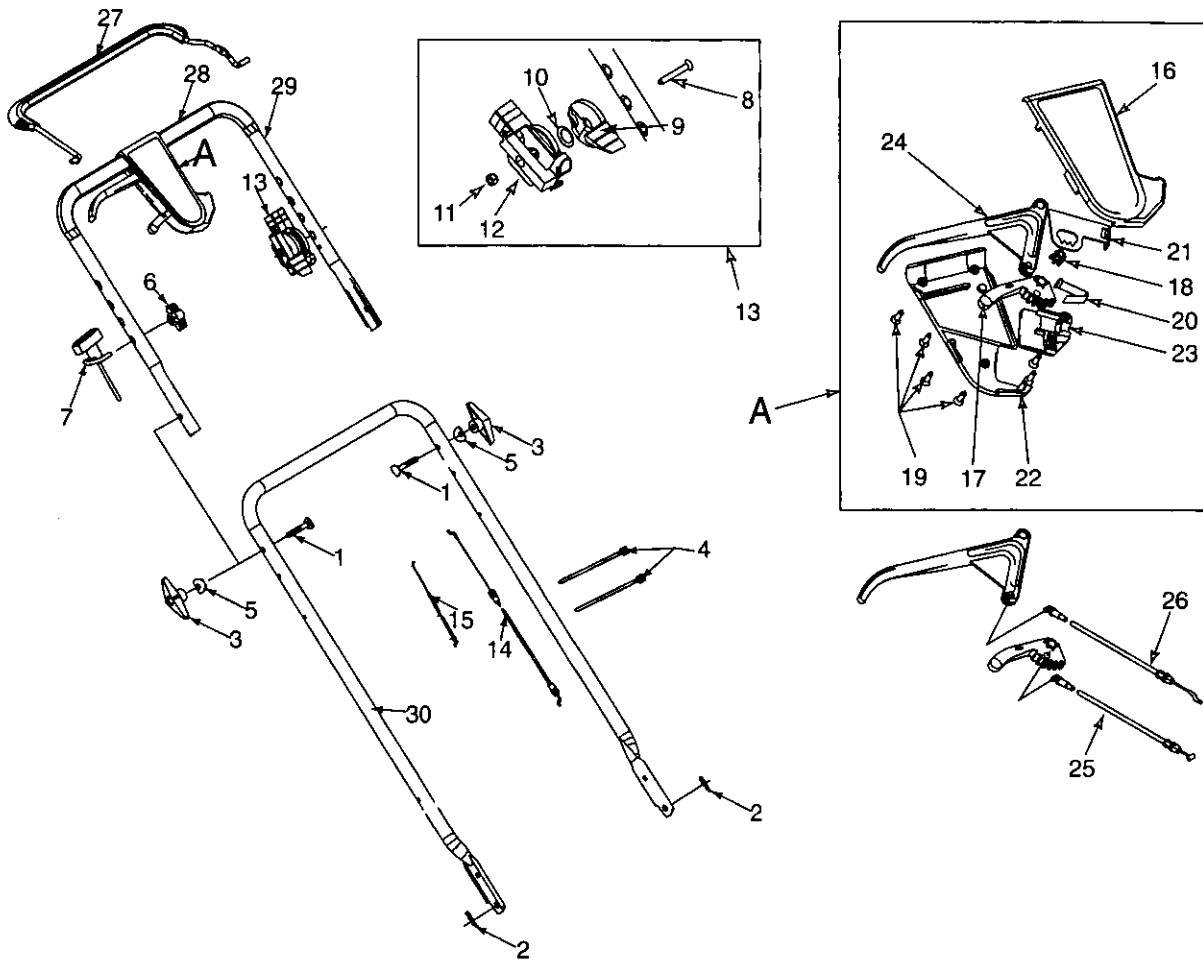


Ref. No.	Part No.	Code	Description	Ref. No.	Part No.	Code	Description
1	710-1174		Bolt Cur. Carr. 5/16-18 x 2.0	26	746-0710A		S.P. Cable
2	714-0104		Cotter Pin .072 x 1.12 Lg.	27	747-0824		Control Handle
3	720-0241		Knob Assembly	28	720-0294		Foam Grip (2 Reqd.)
4	726-0240		Strap 4.3 Lg.	29	749-0439B		Upper Handle
5	736-0451		Wash. Sad. .320 ID x.830 OD	30	749-0907A	N	Lower Handle
7	710-1205		Eyebolt	37	710-1250		Cur. Carr. Bolt 5/16-18 x 1" Lg.
9	746-0876		Throttle Lever	38	712-0267		Hex Nut 5/16-18 Thd.
10	736-0501		Spring Wash. Curved	39	725-1276		Battery Pack - 12 Volt
11	712-0324		Nut 1/4-20 Top locknut Insert	40	731-0891A		Battery Tray
12	646-0875		Housing, Throttle	41	725-0873		Ignition Switch
13	811-00303		Throttle Control (Includes refer- ence 9,10,11 & 12)	42	725-0201		Ignition Key
14	746-0557		Control Cable 47" Lg.	43	425-1428		Fuse Holder
15	746-0841		Cable Throttle 60" Lg.		725-0298		Fuse 7-1/2 Amp (Not shown)
16	731-0904		Upper Control Housing	44	725-1206		Plug
17	731-0924		6 Speed Shift Lever	45	725-1442		Wire Harness
18	713-0397		Gear Insert	46	710-0501		Hex Bolt 1/4-20 x 2" Lg.
19	710-0841		C Sunk Tap Screw #10 x .75 L.	47	736-0270		Bell Wash 1/4" I.D.
20	732-0627		Shift Lever Spring	49	782-9012		Lower Battery Tray
21	16864		6 Spd. Rack Cable Brkt.	50	736-0242		Bell Wash. 5/16" I.D.
22	731-0905		Lower Control Housing	51	710-0969		Truss Mch. Tap Scr. 1" Lg.
23	731-0906		Cable Mounting Cap	52	725-1538		Harness Ext.
24	731-0620		Control Lever	54	712-0287		Hex Nut 1/4-20
25	746-0939		6 Spd. Cable	55	725-0727		Battery Charger

Labels

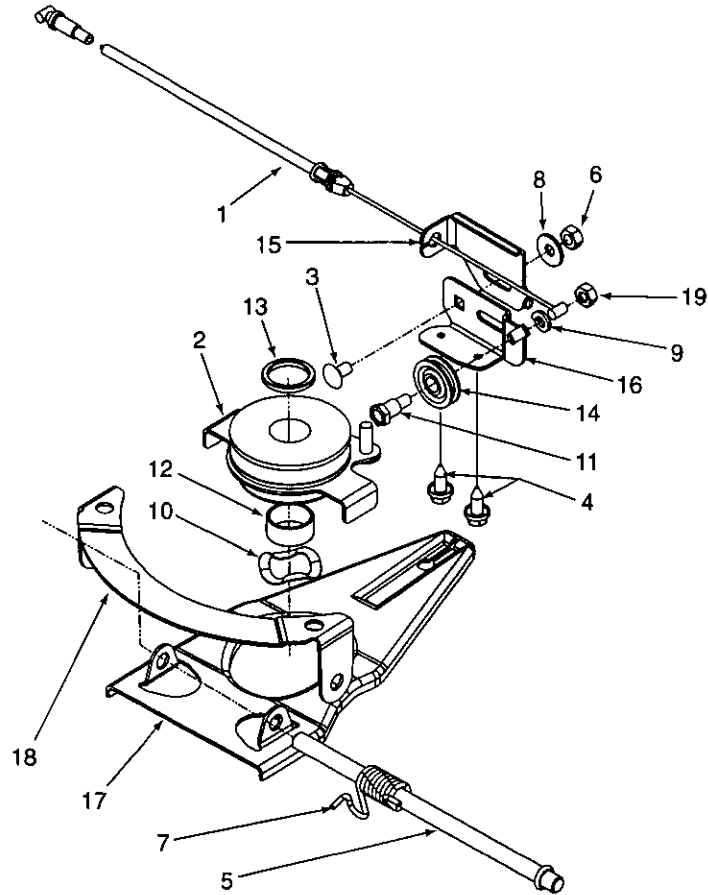
Ref. No.	Part No.	Code	Description
NI	777-0870		Danger - behind deck
NI	777-5270		Warning - side discharge
NI	777-0148		Throttle
NI	777-4559		Cub S 621 Logo (model 959)
NI	777-4799		Cub SC 621 Logo (Model 969)
NI	777-4560		Cub SC 621E (model E969)
NI	777-8627		Drive Lever on Handle
NI	777-1595C		Danger - right rear
NI	777-5902		Electric Start Instructions (model E969)
NI	777-4852		Wheel Cover Label
NI	777-5645		Height Adjustment Label
NI	777-3541		Trans. Drive Label
NI	777-6272		Caster Wheel Lock

Models 959/969



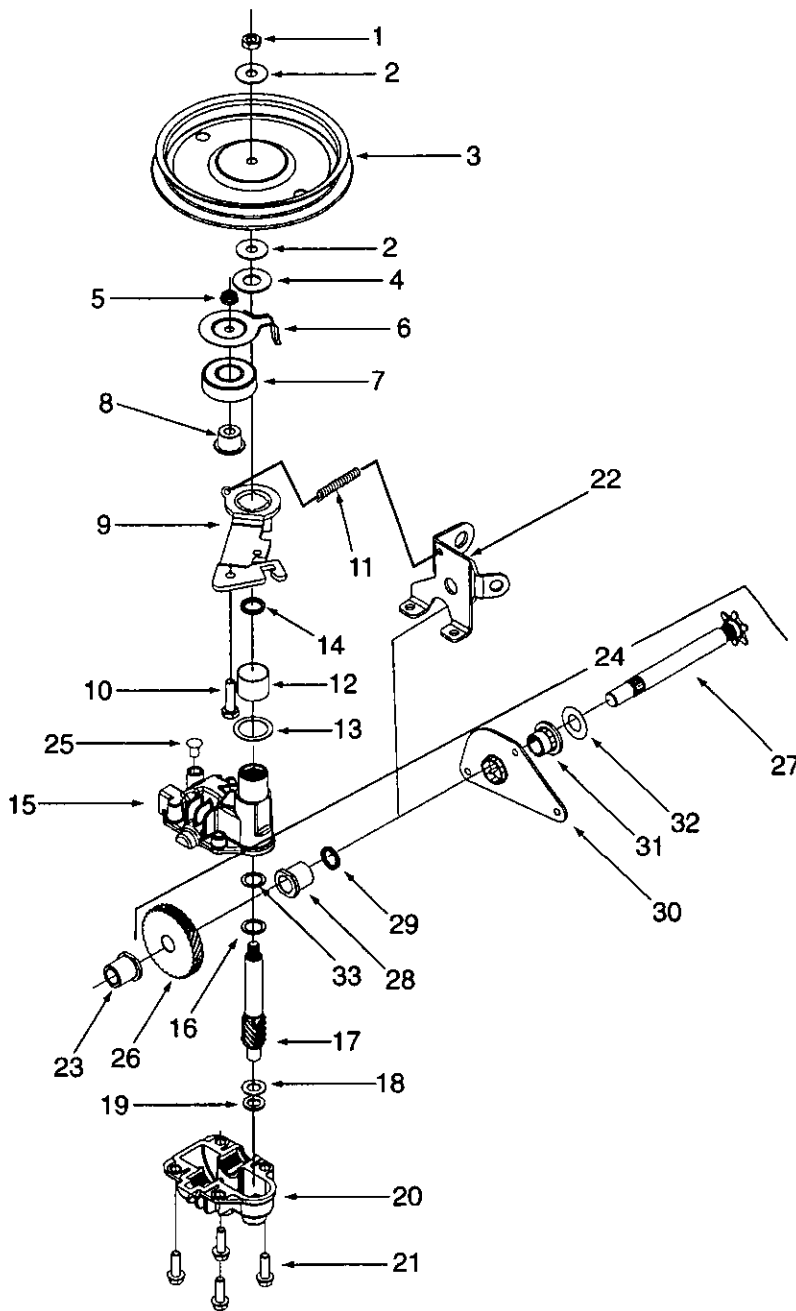
Ref. No.	Part No.	Description	Ref. No.	Part No.	Description
1	710-1174	Bolt Curv. Carr. 5/16-18 x 2.0	16	731-0904	Upper Control Housing
2	714-0104	Cotter Pin .072 x 1.12 Lg.	17	731-0924	6 Speed Shift Lever
3	720-0241	Knob Assembly	18	713-0397	Gear Insert
4	726-0240	Strap	19	710-0841	CSunk Tap Scr #10 x .75 L
5	736-0451	Wash. Sad. .320 ID x.830 OD	20	732-0627	Shift Lever Spring
6	720-0279	Knob Handle ERS - 1/4-20	21	16864	6 Spd. Rack Cable Brkt.
7	710-1205	Rope Guide Eyebolt	22	731-0905	Lower Control Housing
8	710-0605	Screw 1/4-20 x 1.81	23	731-0906	Cable Mounting Cap
9	746-0876	Throttle Lever	24	731-0620	Control Lever
10	736-0501	Spring Wash. Curved	25	746-0939	6 Spd. Cable
11	712-0324	Nut 1/4-20 Top lock Nut Insert	26	746-0710A	S.P. Cable
12	646-0875	Housing, Throttle	27	647-0004	Control Handle
13	811-00303	Throttle Control - (Includes references 8 -12)	28	720-0294	Foam Grip (2 Reqd.)
14	746-0557	Control Cable 47" Lg.	29	749-0438B	Upper Handle
15	746-0841	Cable, Throttle 60" Lg.	30	749-0907	Lower Handle

Models 959/969/E969



Ref. No.	Part No.	Code	Description
1	746-0939		6 Spd. Cable
2	656-0613		Pulley Ass'y Mult - Spd.
3	710-0167		Scr. 1/4-20 x .50 Carr.
4	710-0896		Scr. AB 1/4-14 x .625 Hex hd. Wsh.
5	711-1114		Pivot Shaft
6	712-0287		Nut 1/4-20
7	732-0807		Torsion Spring LH
8	736-0270		Bell Wash. .265 X .75 X .062
9	736-0329		Lock Wash. 1/4 Reg Duty
10	736-0526		Wave Wash. 1.38 x .88 x .029
11	738-0924		Shld.Scr. .375 x 1/4 -14AB
12	750-1070		Slev Spcr. .88 ID 1.00 OD x.48
13	750-1071		Slev Spcr .88 ID x 1.13 ID x .12
14	756-0625		Roller Cable
15	782-7574-0662		6 Spd. Cable Adj. Bracket
16	782-7575-0662		6 Spd. Cable Mt. Bracket
17	782-7596		6 Sp. Control Arm
18	782-7597		6 Sp. Pivot Bracket
19	712-0138		Hex Nut 1/4-28

Models 959/969/E696



Ref. No.	Part No.	Code	Description
1	712-3025		Hx. Jam Nut 5/16-24
2	736-0425		Bell Wash. .325 x .930 x .045
3	756-0656		Pulley
4	736-3084		Fl. Wash. .510 x 1.120 x .060
5	712-0896		Hx. Jam Nut 1/4-28
6	782-7598		Belt Keeper
7	741-0600		Bearing
8	750-1050		Flange Spacer
9	682-0027A	N	Idler Bracket Assembly
10	710-0299		Hx. Cap Scr. 1/4-28 x 1.00 Gr. 5
11	732-0849A	N	Extension Spring
12	741-0682A	N	Bearing Sleeve
13	736-0570		Fl. Wash. .885 x 1.145 x .030
14	721-0329		Oil Seal
15	618-0253		Upper Housing Assembly
16	736-0616	N	Thrust Wash. .504 x .700 x .030
17	717-1487	N	Pinion Shaft 10 T.
18	736-0314		Thr. Wash. 3/8 x .70 x .030
19	736-0569		Thr. Wash. .388 x .625 x .062
20	618-0252		Lower Housing Assembly
21	710-0642		Hx. Scr. 1/2-20 x .75
22	782-7601A	N	Cable Bracket
23	741-0674		Bearing
24	611-0066		Shaft Assembly
25	721-0325		Plug
26	717-1469		Gear 34 T.
27	711-1168		Output Shaft 6 T.
28	741-0672		Flange Bearing
29	721-0329		Oil Seal
30	782-7595		Pivot Bracket
31	741-0324		Flange Bearing
32	736-0369		Wash. Fl. .508 I.D. x 1.00 O.D. x .020
33	741-0690	N	Bearing

MANUFACTURER'S LIMITED WARRANTY FOR:



TWO-YEAR RESIDENTIAL ONE-YEAR COMMERCIAL

Proper maintenance of your Cub Cadet equipment is the owner's responsibility. Follow the instructions in your owner's manual for correct lubricants and maintenance schedule. Your Cub Cadet dealer carries a complete line of quality lubricants and filters for your equipment's engine, transmission, chassis and attachments.

Riding mowers, lawn tractors, garden tractors, Cub Cadet attachments and home maintenance products

This limited warranty for residential users, covers any defect in materials or workmanship in your Cub Cadet equipment for two years from the date of purchase for the first user purchaser. We will replace or repair any part or parts without charge through your authorized Cub Cadet dealer.

Batteries have a one-year prorated limited warranty with 100% replacement during the first three months.

V-belts for either the traction drive or any attachments are covered for one year only.

Cub Cadet equipment used commercially is warranted for one year only.

(Commercial use is defined as either having hired operators or used for income producing purposes.)

Items not covered

The warranty does not cover routine maintenance items such as lubricants, filters (oil, fuel, air and hydraulic), cleaning, tune-ups, brake and/or clutch inspection, adjustments made as part of normal maintenance, blade sharpening, set-up, abuse, accidents and normal wear. It does not cover incidental costs such as transporting your equipment to and from the dealer, telephone charges or renting a product temporarily to replace a warranted product.

There is no other express warranty.

How to obtain service

Contact your authorized Cub Cadet servicing dealer who sold you your Cub Cadet equipment. If this dealer is not available, see the Consumer Yellow Pages under "lawn mowers" for the name of a dealer near you.

If you need further assistance in finding an authorized Cub Cadet servicing dealer, contact:

**Cub Cadet Corporation
Post Office Box 368023
Cleveland, Ohio 44136**

How does state law apply?

This limited warranty gives you specific legal rights, and you may also have other rights which vary from state to state.




is sold exclusively through independent servicing dealers. Independent servicing dealers run business the way we build our products — with an emphasis on service, reliability and a thorough knowledge of how to get things done right.

Every one of our independent dealers is a lawn and garden equipment expert. He/she knows the lay of the land, listens to what you need and match your needs with the right service, parts, accessories and equipment. If you have any lawn and garden equipment needs, see your local Cub Cadet dealer.

They can help!

COPY YOUR MODEL AND SERIAL NUMBER HERE

MODEL NUMBER	SERIAL NUMBER
	
MTD PRODUCTS INC CLEVELAND, OHIO 44136	

COPY YOUR DEALER'S INFORMATION HERE

Name
Address
Phone
Date Purchased
Product Description



WARNING: The Engine Exhaust from this product contains chemicals known to the State of California to cause cancer, birth defects or other reproductive harm.