

Operator's Manual

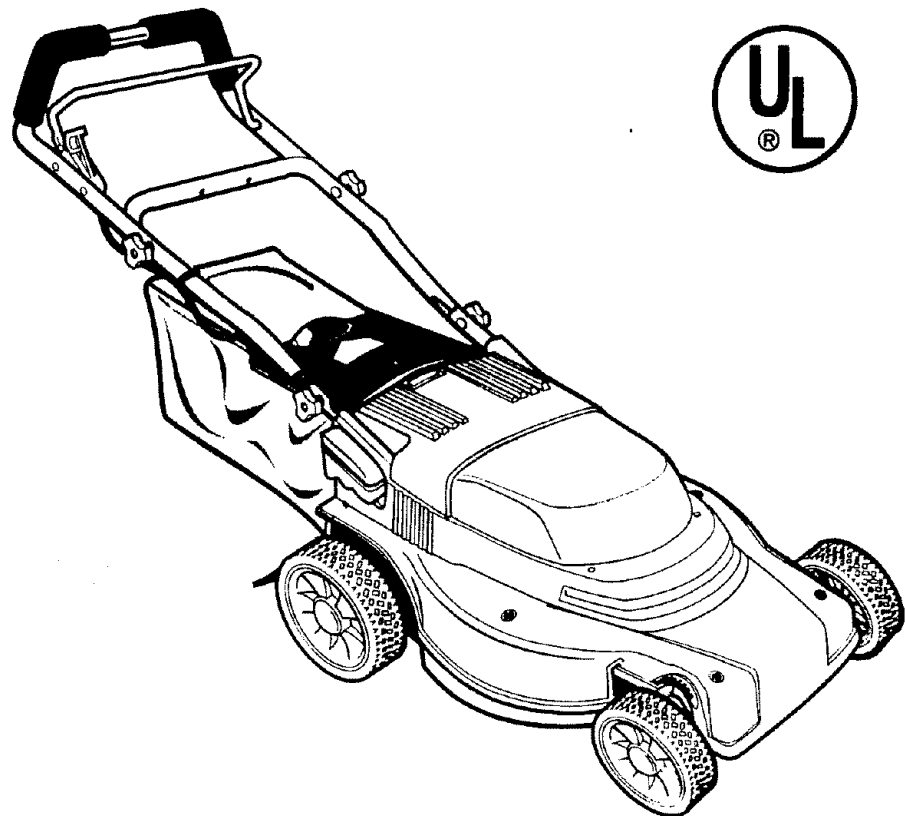
# CRAFTSMAN®

CORDLESS

24 VOLT 19"

## CONVERTIBLE MULCHING MOWER

Model No. 900.370520



**CAUTION:**

Before using this product, read this manual and follow all its Safety Rules and Operating Instructions.

- Safety
- Assembly
- Operation
- Maintenance
- Parts
- Español

Sears, Roebuck and Co., Hoffman Estates, IL 6017

264774-01

## TABLE OF CONTENTS

Warranty	2	Maintenance	16
Safety Instructions	2	Service and Adjustments	17
Assembly	5	Storage	17
Operation	8	Troubleshooting	18
Maintenance Schedule	16	Illustrated Parts List	19
Product Specifications	16	Parts Ordering	20

## WARRANTY

### LIMITED TWO YEAR WARRANTY ON CRAFTSMAN POWER MOWER

For two years from date of purchase, when this Craftsman Lawn Mower is maintained, lubricated, and tuned up according to the operating and maintenance instructions in the owner's manual, Sears will repair free of charge any defect in material or workmanship.

If this Craftsman Lawn Mower is used for commercial or rental purposes, this warranty applies for only 90 days from the date of purchase.

This Warranty does not cover:

- Expendable items which become worn during normal use, such as rotary mower blades, blade adapters, and belts.
- Repairs necessary because of operator abuse or negligence, including bent crankshafts and the failure to maintain the equipment according to the instructions contained in the owner's manual.

WARRANTY SERVICE IS AVAILABLE BY returning the Craftsman power mower to the nearest Sears Service Center in the United States. This warranty applies only while this product is in use in the United States.

This Warranty gives you specific legal rights, and you may also have other rights which vary from state to state.

Sears, Roebuck and Co., Hoffman Estates, IL 60179 USA.

## SAFETY INSTRUCTIONS

**WARNING:** Do not attempt to operate this mower until you thoroughly read and completely understand all instructions, safety rules, etc. contained in this manual. Failure to comply can result in accidents involving fire, electric shock, or serious personal injury. Save Owner's Manual and review frequently for continuing safe operation and instructing others who may use this mulching mower.

Safety standards require an Operator Presence Control Switch to minimize the risk of injury. Your unit is equipped with such a Control Switch. Do not attempt to defeat its function under any circumstances.

### TRAINING:

- Read this operator's manual carefully. Become familiar with the controls and know how to operate your mower properly. Learn how to quickly stop mower.

- Avoid dangerous environments. Do not use your mower in the rain or in damp or wet locations. Do not operate it in gaseous or explosive atmospheres. Motors normally spark and sparks may ignite fumes.
- Do not allow children to use your mower. Never allow adults to use mower without proper instructions.
- Keep the area of operation clear of all persons, especially small children and pets.

- Use mower only as described in this manual.
- Do not operate mower if it has been dropped or damaged in any manner. Always have damage repaired before using your mower.
- Do not use accessory attachments that are not recommended in this manual. Use of such attachments may be hazardous.
- The blade always turns when the motor is running.
- Avoid accidental starting. Do not play with the Operator Presence Control switch when mower is not in use.

### PREPARATION:

- Always thoroughly check the area to be mowed and clear it of all stones, sticks, wires, bones, and other foreign objects. These objects will be thrown by the blade and can cause severe injury.
- Always wear safety glasses or eye shields when starting and while using your mower.
- Dress properly. Do not operate mower when barefoot or wearing open sandals. Wear only solid shoes with good traction when mowing.
- Always make wheel height adjustments before starting your mower. Do not attempt to do this while the mower is running.
- Mow only in daylight or good artificial light.
- Do not plug mower in until it is ready to be used.
- Protect your lungs. Wear a face or dust mask if mowing operation is dusty.
- Remove all adjusting wrenches from mower before turning it on.

### OPERATION:



The operation of any lawn mower can result in foreign objects thrown into the eyes, which can result in severe eye damage. Always wear safety glasses or eye shields while operating your lawn mower or performing any adjustments or repairs. We recommend a wide vision safety mask over the spectacles or standard safety glasses with side shields, available at Sears.

- **CAUTION:** Frequently check grasscatcher bag for deterioration or wear. Replace, if necessary, with identical Craftsman bag. Failure to do so may result in injury from mower discharge of grass and debris.
- Keep your eyes and mind on your mower and the area being cut. Do not let other interests distract you.
- Do not mow wet or slippery grass. Never run while operating your mower. Always be sure of your footing – keep a firm hold on the handles and walk.
- Do not put hands or feet near or under rotating parts. Keep clear of the discharge opening at all times.
- Always stop the motor whenever you leave or are not using your mower, or before crossing driveways, walks, roads, and any gravel-covered areas.
- Never direct discharge of material toward bystanders or allow anyone near the mower while you are operating it.
- Guard against electric shock. Repair or replace damaged mower cord or extension cord immediately.
- Don't abuse the cord. Never pull lawn-mower by the cord. Disconnect by gently pulling the plug, not the cord.
- Before cleaning, inspecting, or repairing your mower, stop the motor and make absolutely sure the blade and all moving parts have stopped. Then unplug the cord to prevent accidental starting.
- If lawn mower strikes a foreign object, follow these steps:
  - i) Stop lawn mower. Release the switch.
  - ii) Remove safety key.
  - iii) Inspect for damage.
  - iv) Repair any damage before restarting and operating the lawn mower.
- Do not operate your mower if it vibrates abnormally. Excessive vibration is an indication of damage; stop the motor and safely check for the cause of vibration. Repair as required.
- Do not run the motor indoors.
- Never cut grass by pulling the mower towards you. Mow across the face of slopes, never up and down or you might lose your footing. Do not mow excessively steep slopes. Use caution when

operating the mower on uneven terrain or when changing directions – maintain good footing.

- Never operate your mower without proper guards, plates or other safety devices in place.
- Don't force the mower. It will do the job better and safer at the rate for which it is designed. When mowing on rough surfaces or in high grass, select a higher cutting position.
- Don't overreach. Keep proper footing and balance at all time.
- Stay alert. Watch what you are doing and use common sense. Do not operate mower when you are tired. Do not run or rush when mowing.
- Do not operate mower while under the influence of drugs, alcohol, or any medication. Attempting to do so can result in serious injury.
- Keep away from blade area. Be aware of the risk of injury. Keep hands and feet away from the blade.
- **DANGER:** DO NOT attempt to remove cut material or unclog debris from under mower deck while blade is moving, or you will be seriously injured.
- If mower stalls, release operator presence control switch and wait for blade to stop rotating. Remove safety key before attempting to remove anything from under mower deck. Thoroughly inspect and have any damage repaired before restarting and operating mower.

### **BATTERY OPERATION & CARE**

**CAUTION:** Use only identical replacement battery. Take mower to a Sears Service Center for Battery Replacement.

The battery in your cordless mower is a 24-volt sealed lead acid system. Since there is no liquid contained within the battery, the mower can be stored in any position without fear of leakage.

- To get maximum battery life, **fully charge battery prior to initial use.**
- It may take 2 or 3 initial charging cycles to achieve maximum run time capacity.
- The battery should be **charged after every use, even if not fully discharged.**
- For optimum performance the battery should be kept on constant charge when

not in use.

- The battery charges best in a cool, dry place.
- The battery does not need to be fully discharged before recharging.
- The battery can be safely stored down to  $-40^{\circ}\text{C}$  ( $-40^{\circ}\text{F}$ ).
- The battery is maintenance free.
- Off-season storage
  - i. In warmer climates to ensure optimum performance, the battery should be maintained on constant charge.
  - ii. The mower may be stored with the charger disconnected if all of the following conditions are met.
    - the mower is fully charged before storing.
    - the average temperature of the storage location is below  $10^{\circ}\text{C}$  ( $50^{\circ}\text{F}$ )
    - Storage duration is less than 6 months

### **CHARGER SAFETY RULES**

- Plug charger directly into an electrical outlet. **DO NOT ABUSE THE CORD.** Never carry charger by cord. Do not disconnect the charger from the outlet or mower by pulling it by the cord.
- **CAUTION:** To reduce the risk of fire, electrical shock, or personal injury do not attempt to use this charger with any other product. Likewise, do not attempt to charge the mower with any other charger.
- Do not service mower with charger or safety key installed.
- Do not operate a damaged charger. Replace damaged cords or charger immediately at a Sears Service Center.
- Always charge the mower in a dry area protected from the weather. Do not expose the mower or charger to rain. Do not charge in wet locations. Do not charge mower when temperature is above  $40^{\circ}\text{C}$  ( $104^{\circ}\text{F}$ ) or below  $5^{\circ}\text{C}$  ( $41^{\circ}\text{F}$ ).
- Keep the mower and charger away from water and heat sources, (such as radiators, heaters, stoves etc.), flames or chemicals. Be careful not to damage the charger cord. Keep cord away from sharp edges.

**CAUTION:** Unplug charger from wall outlet before unplugging charger cord from mower. Failure to do so may result in personal injury or damage to charger. Always unplug charger before attempting to clean mower.

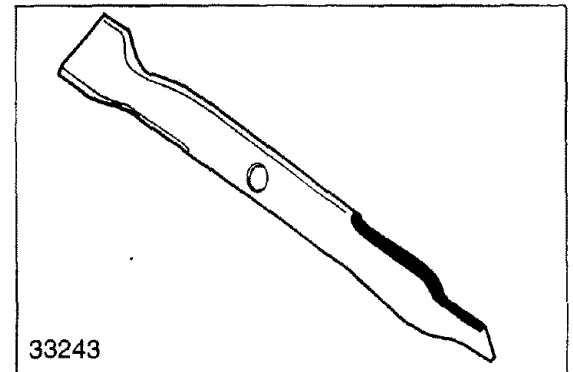
### MAINTENANCE AND STORAGE:

- Check the blade and the motor mounting bolts often to be sure they are tightened properly.
- Check all bolts, nuts and screws at frequent intervals for proper tightness to be sure mower is in safe working condition.
- Keep all safety devices in place and working.
- To reduce fire hazard, keep the motor free of grass, leaves or excessive grease and oil.
- Always keep the blade on your mower sharp.
- Allow motor to cool before storing in any enclosure.
- Keep mower dry and clean. Always use a clean damp cloth when cleaning. Never use brake fluids, gasoline, petroleum-based products, solvents, or water to clean mower.
- Do not mow if switch does not turn mower on and off. Have defective switch replaced at Sears Service Center.
- Check damaged parts. Before further use of the mower, a guard or other part that is damaged should be carefully checked to determine that it will operate properly and perform its intended function. Check for alignment of moving parts, binding of moving parts, breakage of parts, and any other conditions that may affect mower operation. A guard or other part that is damaged should be properly repaired or replaced by a qualified service technician.
- When servicing use only identical Craftsman replacement parts. Servicing of this mower should be performed only by a qualified service technician. For repair service we suggest you return mower to your nearest Sears Service Center.
- When replacing blade, use only identical Craftsman replacement blade. Use of any other blade may result in serious personal injury or damage to mower.

- Store mower inside. When not in use, mower should be stored indoors in a garage, basement, etc. Storage area should be a dry, locked-up place – out of reach of children.
- Maintain mower with care. Keep blade sharp and clean for best and safest performance. Follow instructions for lubricating and changing accessories.

### REPLACEMENT BLADE

The replacement blade is stock # 33243 and is available at Sears Retail Stores and Service Centers.



### ASSEMBLY

#### CARTON CONTENTS

- Mulching Mower (Shipped with Mulch Insert installed)
- Side discharge chute
- Grassbag
- Grasscatcher frame
- Charger

#### TO REMOVE MOWER FROM CARTON

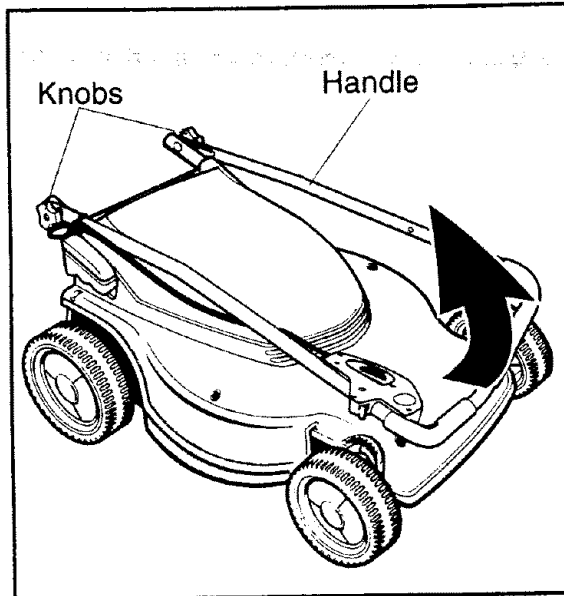
Your mulching mower has been completely assembled at the factory except for the Grasscatcher.

- CAUTION:** Do not lift the mower off the ground by holding the height adjustment finger grip.
- Remove the Grasscatcher frame, Grassbag, Side discharge chute, charger and cardboard fillers.
  - Remove the mower from the carton and place all four wheels on the ground or floor.
  - Check the carton thoroughly and make sure there are no loose parts remaining inside.

### To Unfold Handle

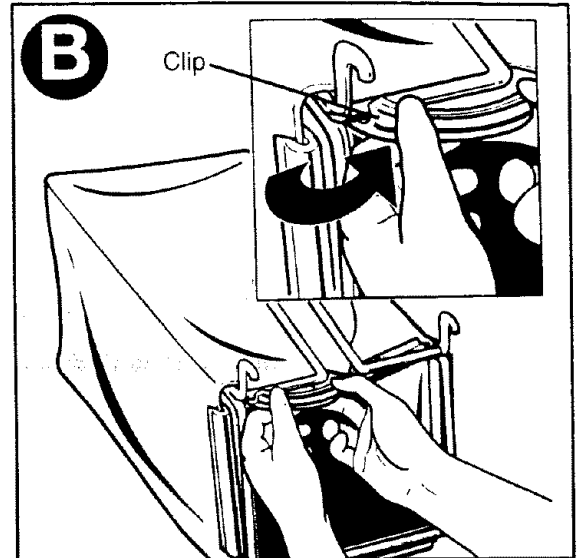
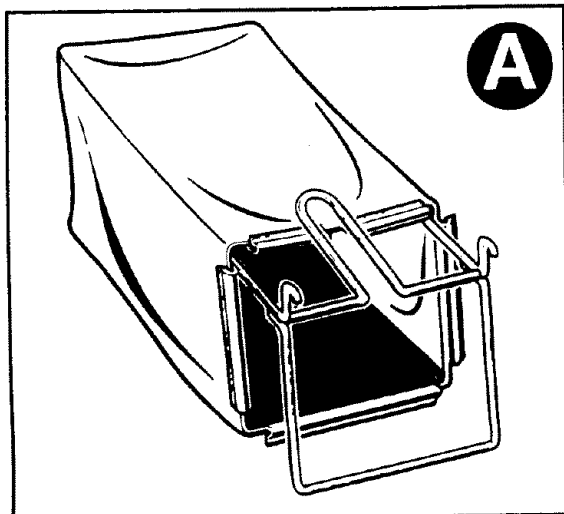
Raise the handle section into place and secure by tightening the two knobs. See figure below.

**WARNING:** For your own safety DO NOT use this mower without either the Grasscatcher or Mulch Insert in operating position.



### GRASSCATCHER ASSEMBLY

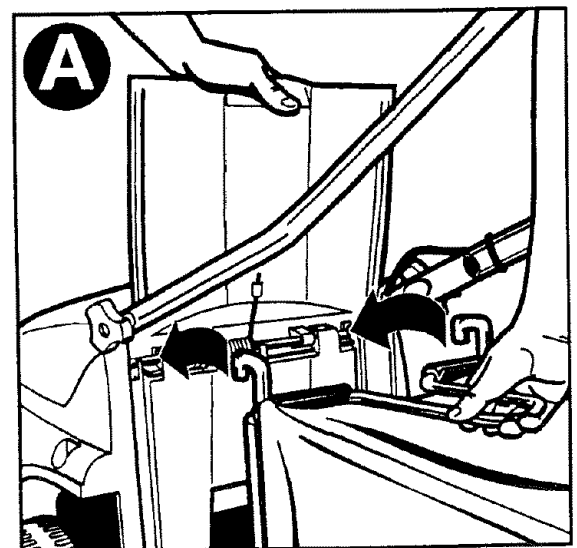
- Slide the grassbag onto the grasscatcher frame. (See Fig. A)
- The grassbag has attachment clips sewn around the bag opening.
- Attach the two top clips to the frame, then attach the side clips, and lastly the bottom clip. (See Fig. B)
- Refer to "To Install Grasscatcher" instruction before attaching to mower.

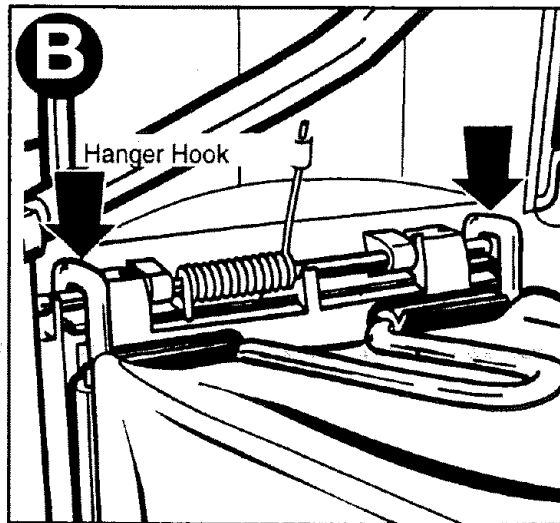


### TO INSTALL GRASSCATCHER

- Reach down between the mower handle and raise the rear door to a vertical position. (See Fig. A)
- Remove the mulch insert. See page 12 "To Remove Mulch Insert".
- Pick up the grasscatcher by the handle and lower the grasscatcher between the lawnmower handles. Position the grasscatcher hanger hooks on the metal rod under the rear door. (See Fig. B).
- Release the rear door.

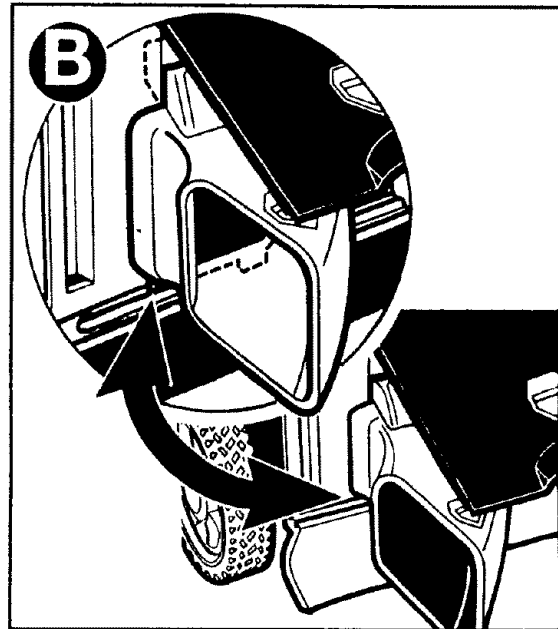
**WARNING:** Never operate the mower unless the hanger hooks on the grasscatcher are seated properly, and the rear discharge door rests firmly against the top of the grasscatcher.





### TO INSTALL SIDE DISCHARGE CHUTE

- Shut the mower off, wait until the blade stops, and unplug power cord.
- Reach down between the mower handles, raise the rear door and hold it up with one hand. Ensure that the mulch insert has been removed. See page 12, "To Remove Mulch Insert".
- Grasp the discharge chute with the other hand and while tilting it downwards insert its hook into the mower's discharge opening. (See Fig. A)
- Rotate the chute until it is in flat contact with the deck, and the bottom ribs fit into the deck grooves. (See Fig. B)
- Lower the rear door until it rests on top of the discharge chute.



#### **WARNING:**

- Do not use the discharge chute if it is damaged.
- For your own safety, **DO NOT** use the mower without either the grasscatcher, mulch insert, or the discharge chute in operating position.

## OPERATION

**KNOW YOUR MULCHING MOWER**  
**READ THIS OWNER'S MANUAL AND SAFETY RULES BEFORE OPERATING YOUR MOWER.** See diagram below to familiarize yourself with the location of various controls and adjustments. Save this manual for future reference.

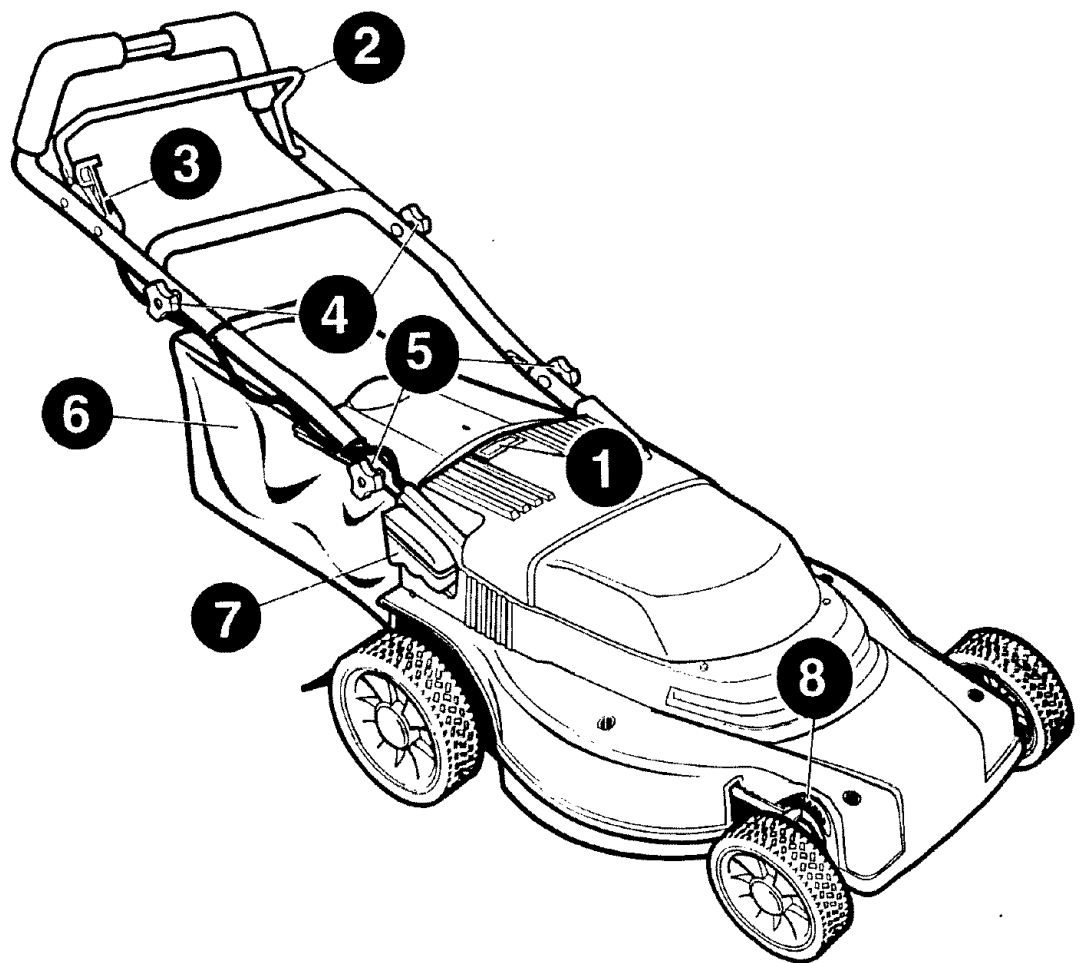
These symbols may appear on your mower or in literature supplied with the product. Learn and understand their meaning.



CAUTION  
OR WARNING



DANGER, KEEP HANDS  
AND FEET AWAY



### MEETS UL 1447 SAFETY REQUIREMENTS

Sears rotary, walk-behind, electrically powered lawn mowers conform to the safety requirements of Underwriters Laboratories (UL) Standard 1447.

**WARNING:** Blade always turns when motor is running.

Safety key (1)

Operator Presence Control Switch consists of Bail handle (2) and Switch lever (3)

Handle adjustment knobs (4)

Handle storage knobs (5)

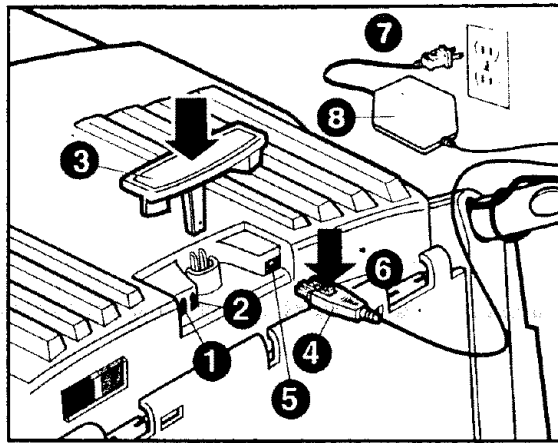
Grassbag (6)

Cutting Height Adjustment Release (7)

Cutting height indicator (8)



## CHARGING BATTERY



Although your mower battery was fully charged when it left the factory, it is necessary to recharge it before initial use. This will ensure that the battery operates at full performance capability.

There are two charge indicator lights on your mower. The red light (1) glows while the battery is charging. The green light (2) glows when the battery is fully charged. During the mowing season, plug the charger into mower whenever mower is not being used.

### Safety Key

To prevent accidental start-up or unauthorized use, your mower has a removable Safety Key (3). The mower will not operate when the Safety Key is removed. The Safety Key has a hole in its center to allow for storage on a nail, out of the reach of children.

**CAUTION:** Always remove Safety Key from mower when leaving mower unattended, even for a short period of time.

### To Charge Battery

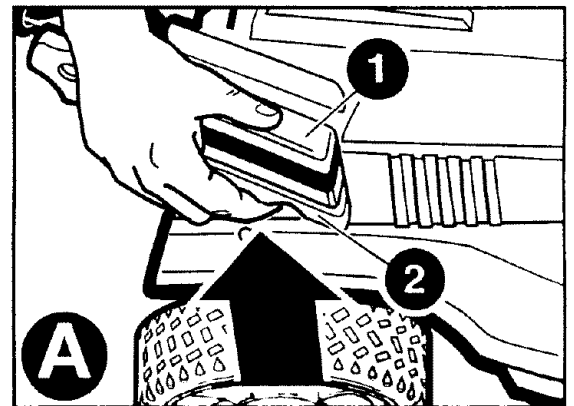
- Remove safety key (3).
- Plug the charger cord (4) into the receptacle (5) on the mower. The charger cord plug has a retaining clip (6) which will lock the plug into the mower while charging to avoid accidental removal.
- Insert the 120 volt plug (7) of the charger (8) into the wall receptacle.
- The red light on the mower should come on indicating you have power and the battery is being charged. The red light should extinguish and the green light come on when charging is complete. It takes approximately 24 hours to charge a fully discharged battery.

- For optimum performance during the mowing season, always connect the mower to the charger when mower is not in use.
- To remove the plug from the mower, press retaining clip (6) firmly in the direction of the arrow and pull plug from charging receptacle on mower.

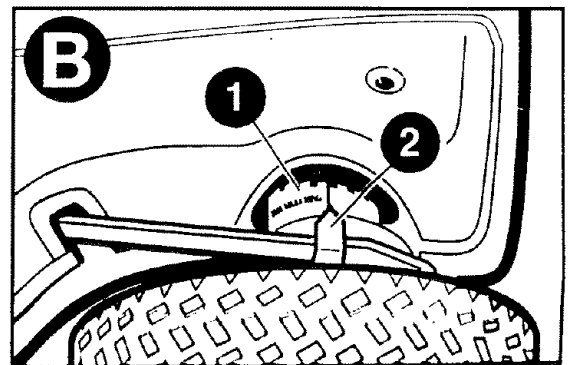
## TO ADJUST CUTTING HEIGHT (1-1/2" TO 3-1/2")

**CAUTION:** Before making any adjustments, release switch to turn mower off, wait for blade to stop, and remove safety key.

- Your mower features a "one touch" wheel height adjustment system. This system adjusts all four wheels at the same time.
- To raise or lower the cutting height, place the palm of your hand on the palm rest (1) and with your fingers squeeze upward on the finger grip (2) and hold. (See Fig. A)



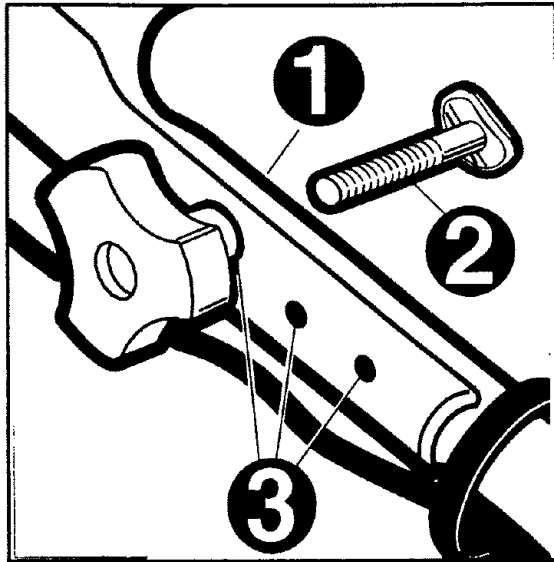
- While holding the finger grip up, you can raise or lower the cutting height. The mower has seven cutting height positions. They are indicated by the scale (1) and pointer (2) at the front of the mower. (See Fig. B)
- When you have the mower at the height



you want, hold it in place by gripping the mower's lower right handle bar with your left hand. Then release your right hand from the finger grip to lock the cutting height into place.

**NOTE:** To ensure that the deck is securely locked in one of the seven cutting positions, press down on the palm rest after releasing the finger grip.

## HANDLE ADJUSTMENT



Your mower has a variable height handle adjustment feature. To adjust the handle position, use the following procedure:

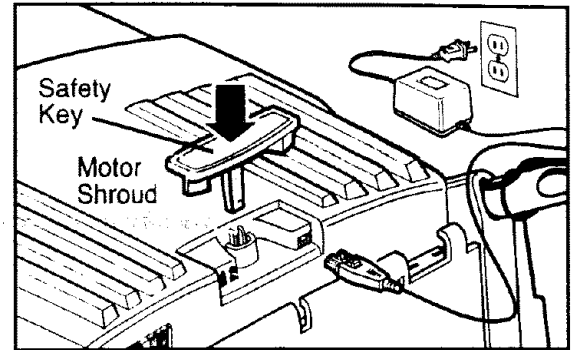
- Remove both knobs (1) on the middle part of the handlebars and remove the bolts (2).
- Slide the upper handle into one of the 3 adjustment positions (3), aligning the holes in the upper and lower handles.
- Insert the bolts and install the knobs, tightening securely. The knobs should always be on the outside of the handles to avoid interference with the rear door and grass bag.

## TO STOP MOWER

To stop mower fully release your grip on the operator presence control switch.

## TO START MOWER

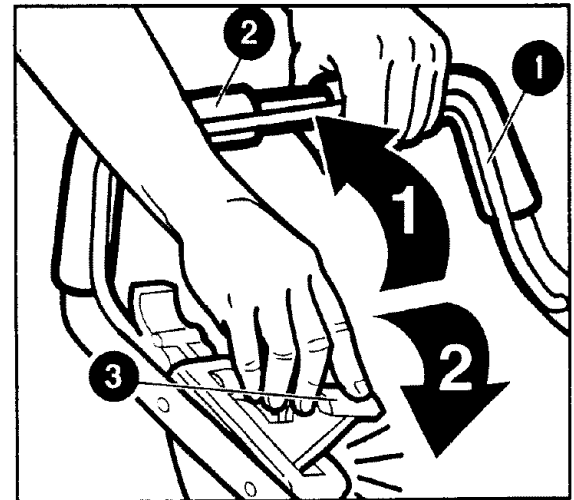
- Make sure that charger cord is unplugged from the mower.



- Insert Safety Key into place on motor shroud. Push key down until it is seated. The mower is now operational and can be started by activating the switch system.

**CAUTION:** Never attempt to override the operation of this switch and key system.

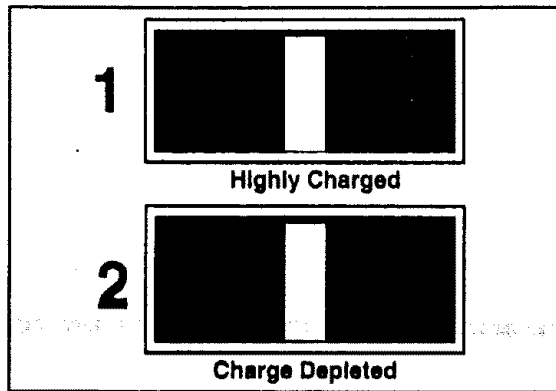
## OPERATOR PRESENCE CONTROL SWITCH



**CAUTION:** Federal regulations require an Operator Presence Control Switch to be installed on lawn mowers in order to minimize the risk of blade contact injury. **DO NOT** under any circumstances attempt to defeat the function of this switch. Remember that the blade always turns when the motor is running.

To operate the operator presence control switch, first grasp the bail handle (1) and pull it to the handlebar (2). Then firmly push the switch lever (3) forward until it snaps into the "on" position. To turn the mower off, just release the bail handle.

## BATTERY GAUGE



Your Cordless Mulching mower has a gauge to provide you with information on your battery state of charge. While operating the mower, the gauge constantly senses and displays the battery condition as follows:

- When the needle is pointing in the green area (1), the battery is in a highly charged condition.
- When the needle is pointing in the red area (2), the battery charge is depleted.
- Before using your mower for the first time, charge the battery overnight to ensure that it is fully charged. When you first start your mower, the battery gauge should point in the green area, indicating a fully charged battery.
- As you use your mower, you will notice that the needle in the battery gauge drops slowly as the battery discharges.
- While cutting grass with your cordless mower, it is normal for the battery gauge needle to fluctuate somewhat as the cutting conditions change.
- When your battery gauge needle points consistently in the red area, your battery is now discharged, even though the mower may still be capable of cutting grass. Continuing to operate your mulching mower with the battery in this discharged condition may reduce the life and performance of your battery.

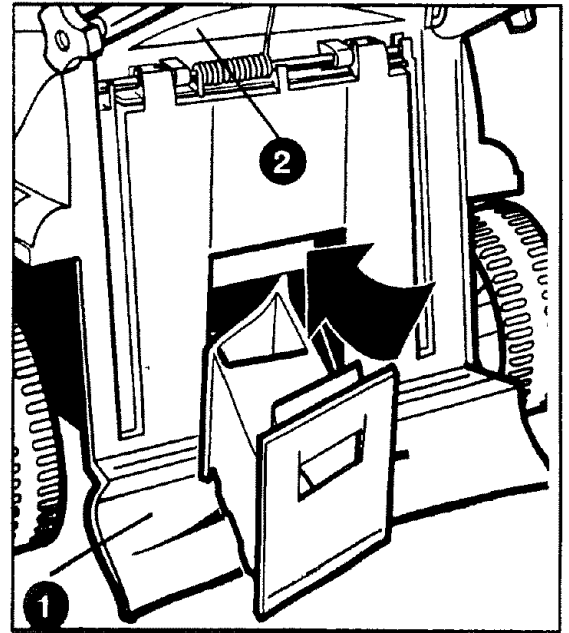
**The following suggestions will help you to obtain optimum run time from your cordless mower:**

- Slow down in areas where the grass is especially long or thick, or raise the cut height.
- When mulching, avoid cutting more than 1-1/2 inches off the grass.

- Avoid mowing when the grass is wet from rain or dew-soaked.
- Cut your lawn frequently, especially during high growth periods.

**NOTE:** You should recharge your mower after each use, regardless of the position of the battery gauge needle. Frequent charging will not harm your battery, and will ensure that the battery is fully charged and ready for its next use.

## SAFETY SHIELD AND REAR DOOR



This safety shield (1) is designed to minimize the throwing of stones or other objects by the mower blade backward from under the mower deck. The shield, along with the rear door (2), minimizes the possibility of accidental foot contact with the blade. **DO NOT** operate mower without the safety shield and rear door in place.

### WARNING:

- For your own safety **DO NOT** use this mower without either the grasscatcher or mulch insert in operating position.
- Do not operate the mower if the spring in the rear door loses its tension. Take your lawnmower to the nearest Sears Service center for repair.

## MOWING TIPS

- Mow across the face of slopes, never up-and-down. Exercise extreme caution when changing direction on slopes. Do not mow excessively steep slopes. Always maintain good footing.
- Release switch to turn mower "OFF" when crossing any graveled area (stones can be thrown by the blade).
- Set mower at highest cutting height when mowing in rough ground or in tall weeds.
- From time to time turn off mower and wait for the blade to come to a complete stop. Then remove the safety key and turn mower on its side. Using an object such as a stick, wipe out any accumulation of grass in the blade area. Be careful of the sharp edges of the blade.
- If grasscatcher is used during the fast growing season, the grass may tend to clog up at the discharge opening. Turn the switch "OFF" and remove the safety key. Remove the catcher and shake the grass down to the back end of the bag. Also clean out any grass or debris which may be packed around the discharge opening. Replace the grass catcher. Clean often in wet, spring grass.
- If mower should start to vibrate abnormally, turn mower "OFF" and remove safety key. Check immediately for cause. Vibration is a warning of trouble. Do not operate mower until a service check has been made.
- **ALWAYS turn the switch "OFF" and remove safety key when leaving mower unattended even for a short period of time.**

## MULCHING

- Your mower is designed to re-cut the grass clippings many times and reduce them in size so that, as they fall into the lawn, they will disperse into the grass and not be noticed. Also, the mulched grass will biodegrade quickly to provide nutrients to the lawn.
- Your mower was shipped with the Mulch Insert installed.

## MULCHING MOWING TIPS

- For best performance, keep the mower housing free of built-up grass and trash. Clean after each use. See CLEANING in

the maintenance section of this manual.

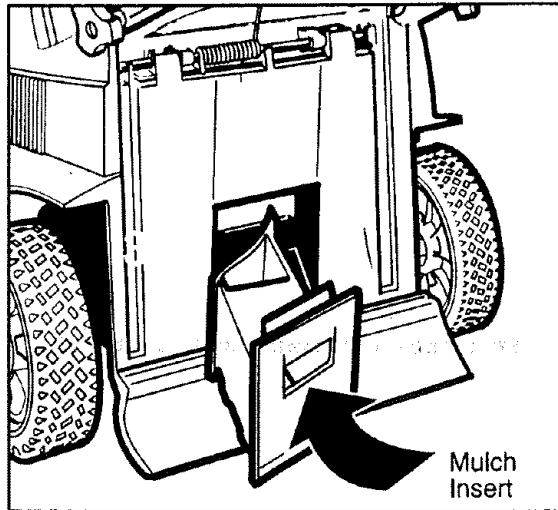
- Avoid cutting the lawn when it is wet. Wet grass tends to form clumps which interfere with the mulching action. The best time to mow your lawn is in the late afternoon. At this time the grass is dried and the newly cut area will not be exposed to the direct sun.
- For best results, adjust the mower cutting height so that the mower cuts off only the top one-third of the grass blades. If the lawn is overgrown it will be necessary to increase the cutting height to reduce the pushing effect and reduce overloading the motor. For extremely heavy mulching make narrower cuts and mow slowly.
- Certain types of grass and grass conditions may require that an area be mulched a second time to completely hide the clippings. When doing a second cut, mow across or perpendicular to the first cut path. **DO NOT mow perpendicular to the first path if it would cause mowing across a hill.**
- Change your cutting pattern from week to week. Mow north to south one week and east to west the next week. This will help prevent matting and graining of the lawn.

## TO REMOVE MULCH INSERT

- Shut the mower off, wait until the blade stops and remove safety key.
- Raise the rear door and hold it up.
- Locate your hand in the handle pocket of the mulch insert, lift and pull out the mulch insert completely.
- The rear discharge door is spring loaded. When you release it the door will return to the closed position.

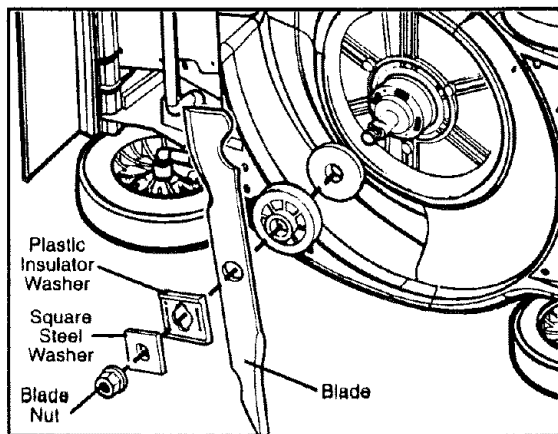
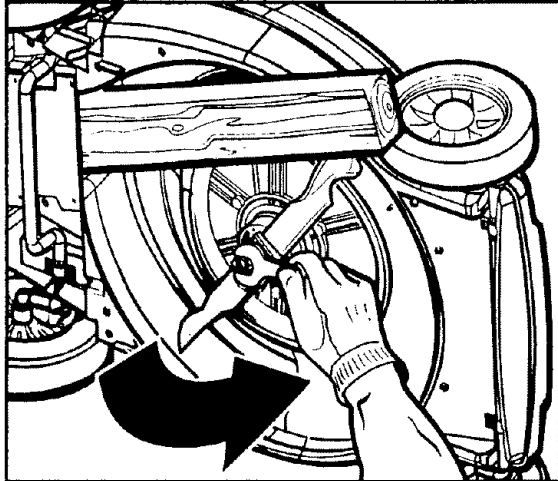
## TO INSTALL MULCH INSERT

- Shut the mower off, wait until the blade stops, and remove safety key.
- Raise the rear door and slide the mulch insert into the discharge opening until it is firmly in contact with the deck.
- Release the rear door.



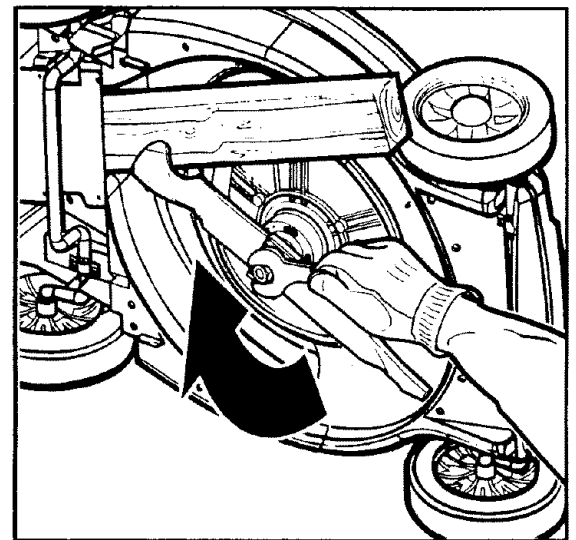
### TO REMOVE BLADE

- Release Operator Presence Control Switch to turn mower off, wait for the blade to stop, and remove safety key.
- Cut a two foot length of 2x4 wood and use it to keep blade from turning while removing blade nut.
- Wear gloves, position wood, and loosen nut counterclockwise as shown. Remove nut.
- Remove square steel washer, plastic insulator washer and blade.

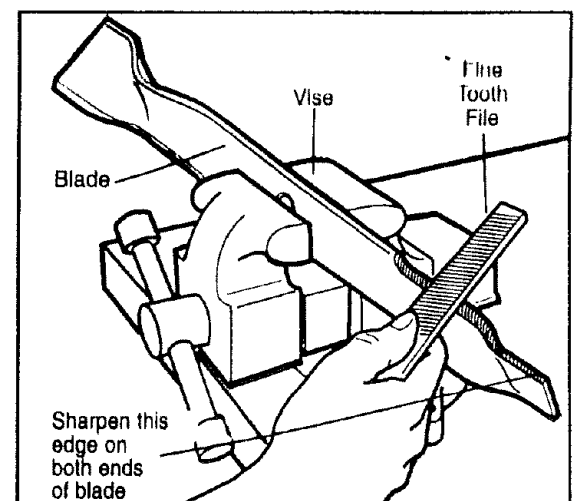


### TO REPLACE BLADE

- Place blade on shaft so that the blade edges are parallel with the flat sides of the shaft. Make sure you place the blade so that its cutting edges will face the ground when the mower is running.
- Place plastic insulator washer on shaft so that two of the washer's raised edges fit over the edges of the blade.
- Place square steel washer on shaft so that flat sides of hole in washer are parallel with flat sides of shaft.
- Place blade nut on shaft. Make sure all parts stay aligned. Position wood to keep shaft from turning. Securely tighten blade nut clockwise to 20-30 ft. lbs.



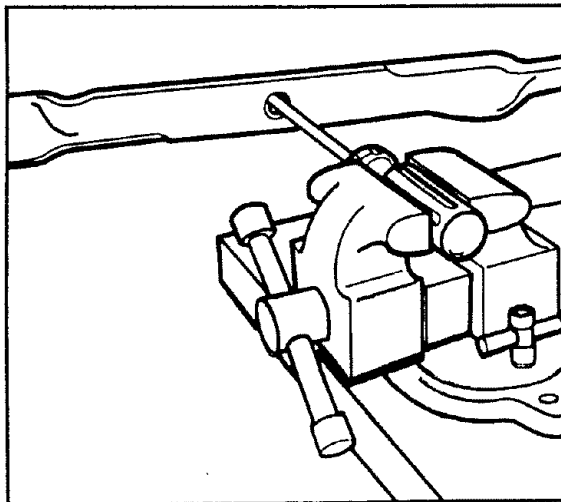
### TO SHARPEN BLADE



- Keep blade sharp for best mower performance. A dull blade does not cut grass evenly.
- Wear proper eye protection.

- Sharpening the blade twice during a mowing season is usually sufficient under normal circumstances. Sand causes the blade to dull fast. If your lawn has sandy soil, more frequent sharpenings are required.
- Replace bent or damaged blade immediately.
- **To sharpen blade:**
  - Make sure blade remains balanced.
  - Sharpen blade at the original cutting angle.
  - Sharpen cutting edges on both ends of blade, removing equal amounts of material from both ends.
  - Secure blade in a vise as shown in figure below.
  - Wear safety glasses and be careful not to cut yourself.
  - Carefully file the cutting edges of the blade with a fine tooth file or sharpening stone.
- Check balance of blade. See instructions for blade balancing.
- After blade is sharpened and balanced replace blade on mower and tighten securely.

#### TO BALANCE BLADE



Check balance of blade by placing center hole in blade over a nail or screwdriver shank, clamped horizontally in a vise. If either end of the blade rotates downward, file that end. Blade is properly balanced when neither end drops.

#### GENERAL MOWING TIPS

During the spring when the grass is lush, your mower may cut less than in mid-summer when the grass is light and dry.

**Here are some helpful hints to get the most from your Craftsman cordless power mower and to keep your lawn looking beautiful**

- Lawns should first be mowed in the spring when the grass is about 2 1/2 to 3 inches high. Mowing too early restricts the grass root systems which renew themselves every spring. New grass should be clipped when it is about 2 1/2 inches high.
- Do not remove too much grass blade surface at one time – never more than 1/3 of the leaf height during each cutting. Cutting too close “shocks” sensitive grass blades, resulting in a shallow root system and making it more difficult for your lawn to reach water in the soil.
- Lawncare experts say that excessively close cutting is responsible for much of the difficulty experienced on many lawns. The depth and strength of the roots of grass are almost exactly proportional to its growth. Grasses of mature lawns often are seriously injured when mowed shorter than 1 1/2 inches, and a height of 1 1/2 to 2 inches is preferred on large lawns.
- Mow your lawn when it is dry to avoid clumping of wet grass. If you have a choice, late afternoon is the ideal time for mowing, not only because the grass is dry, but also because the sensitive new cut area of the grass will not be exposed to intense sunlight.
- Keep the mowing blade sharp for a nice clean cut. This improves the mower's performance and enhances the look of your lawn. A dull blade bruises and shatters the tips of the grass. This impairs the healthy growth of your lawn and increases susceptibility to turf diseases. If the grass tips are bruised it causes a brownish color and gives your lawn an unhealthy appearance. A dull blade may also pull up young seedlings.
- Try to mow your lawn at the same (consistent) cutting height. While there are times when you should vary the cutting height with the changing seasons, a consistent cutting height produces a healthi-

er, lovelier lawn with generally fewer weeds. Mow more frequently during periods of fast growth. Frequent cutting ensures that the lower, less attractive portion of the grass will not show.

- If your lawn has grown too long, (a vacation, for example, may interrupt your cutting schedule) mow at a cutting height one or two positions higher than normal. A second pass at "normal" cutting height a few days later will put your lawn back on schedule. Changing the cutting height is a simple matter with the One Touch Wheel Height Adjustment, which simultaneously adjusts all four wheels at once.
- During the spring and fall, (or after an interruption to the cutting schedule) the grass will be longer and thicker. If the motor continually slows down while cutting, try setting the wheels for a higher cutting height. Excessive motor loading can result in uneven cutting, quicker discharge of the battery, and can cause the circuit breaker to trip, which stops the

motor.

- Three good ideas to enhance your lawn's appearance: Vary the mowing direction frequently; mow horizontally on hillsides; (this is also a good safety practice) and do not forget to overlap the mowing path on each pass.
- Always mow grass so that clippings are discharged onto cut lawn. This will keep your lawn looking fresh by avoiding "Cut Grass" build-up which will eventually brown and appear ugly. This method also preserves your battery charge, ensuring you get the most from your Craftsman Cordless Power Mower.
- During the spring and fall seasons when the grass is longer and thicker, you can use your mower without it being fully recharged. (i.e. green charge indication light is on). This will enable you to perform short cutting tasks, but we don't recommend this be done frequently. The battery and mower perform much better if charged fully.

## MAINTENANCE

### CUSTOMER RESPONSIBILITIES TABLE

MAINTENANCE SCHEDULE  FILL IN DATES AS YOU COMPLETE REGULAR SERVICE	BEFORE EACH USE	AFTER EACH USE	EVERY 10 HOURS	EVERY 25 HOURS	BEFORE STORAGE	SERVICE DATES				
Check for Loose Fasteners	✓				✓					
Clean Lawn Mower		✓			✓					
Check/Sharpen/Replace Blade			✓							
Recharge Battery		✓			✓					

#### GENERAL RECOMMENDATIONS

- Always observe safety rules when performing any maintenance.
- The warranty on this lawn mower does not cover items that have been subjected to operator abuse or negligence. To receive full value from the warranty, operator must maintain mower as instructed in this manual.
- Once a year check blade for wear.
- Follow the maintenance schedule in this manual.
- **Before each use:**
- Check for loose fasteners.

#### LUBRICATION

No lubrication is required.

**IMPORTANT:** Do not oil or grease plastic wheel bearings. Viscous lubricants will attract dust and dirt and will shorten the life of the self-lubricating bearings. If you feel they must be lubricated, use only a dry, powdered graphite tube lubricant sparingly.

#### TIRES

- Keep tires free of gasoline, oil or insect control chemicals which can harm rubber.

#### PRODUCT SPECIFICATIONS

MODEL NUMBER	900.370520
POWER	24 V DC 17 AMP-HOUR
BLADE SPEED	3600 RPM
CUTTING WIDTH	19"
BLADE BOLT TORQUE:	20-30 FT. LBS.

- Avoid stumps, stones, deep ruts, sharp objects and other hazards that may cause tire damage.

#### BLADE CARE

For best results, mower blade must be kept sharp. Replace bent or damaged blades.

#### CLEANING

- **TURN MOWER OFF, let the blade come to a stop and then remove safety key!**
- Use only mild soap and a damp cloth to clean the mower. Clean out any clippings which may have accumulated on the underside of the deck.

#### PREVENTING CORROSION

- Fertilizers and other garden chemicals contain agents which greatly accelerate the corrosion of metals. If you mow in areas where fertilizers or chemicals have been used, the mower should be cleaned immediately after use.
- **CAUTION:** DO NOT pour or spray water on the mower.
- Do not store the tool on or adjacent to fertilizers or chemicals. Such storage can cause rapid corrosion.



## SERVICE AND ADJUSTMENTS

**CAUTION:** Before performing any service or adjustments:

- Release operator presence control switch and stop motor.
- Make sure the blade and all moving parts have completely stopped.
- Remove Safety Key.

### BATTERY

The battery in your mower is a rechargeable 24 volt sealed lead acid battery. **To get the maximum battery life, we recommend the following:**

- Fully recharge battery prior to initial use.
- Recharge battery immediately after each use.
- Recharge battery continuously when mower is not in use.
- Always charge battery indoors in a dry, protected place
- **DO NOT** charge in extreme hot or cold temperatures. Charge mower battery in a location where temperature is more than 41°F (5°C) but less than 104°F (40°C)

### REAR DEFLECTOR

The rear deflector, attached between the rear wheels of your mower, is provided to minimize the possibility that objects will be thrown out of the rear of the mower into the operator mowing position. If the deflector becomes damaged, it should be replaced.

### BATTERY REPLACEMENT

If properly maintained, the expected battery life is 4-7 years. If battery replacement becomes necessary, take your mower to a Sears Service Center for replacement.

### HANDLE ADJUSTMENT

To adjust handle refer to "Handle Adjustment" in Operation section of this manual.

### TO ADJUST CUTTING HEIGHT

To adjust cutting height refer to "Adjust Cutting Height" in Operation section of this manual.

## STORAGE

Immediately prepare your lawn mower for storage at the end of the season or if the unit will not be used for 30 days or more.

### LAWN MOWER

When lawn mower is to be stored for a period of time, clean it thoroughly, remove all dirt, grease, leaves, etc. Store in a clean, dry area.

- Clean entire lawn mower (See "CLEANING" in the Maintenance section of this manual).
- Be sure that all nuts, bolts, screws, and pins are securely fastened. Inspect moving parts for damage, breakage and wear. Replace if necessary.

### BATTERY

- **Recharge the battery to a full charge.** Do not store mower with a discharged battery. Battery failure will occur in a very short time if mower is stored without having a full charge. We recommend that you charge battery continuously while in storage and during off season.

### HANDLE

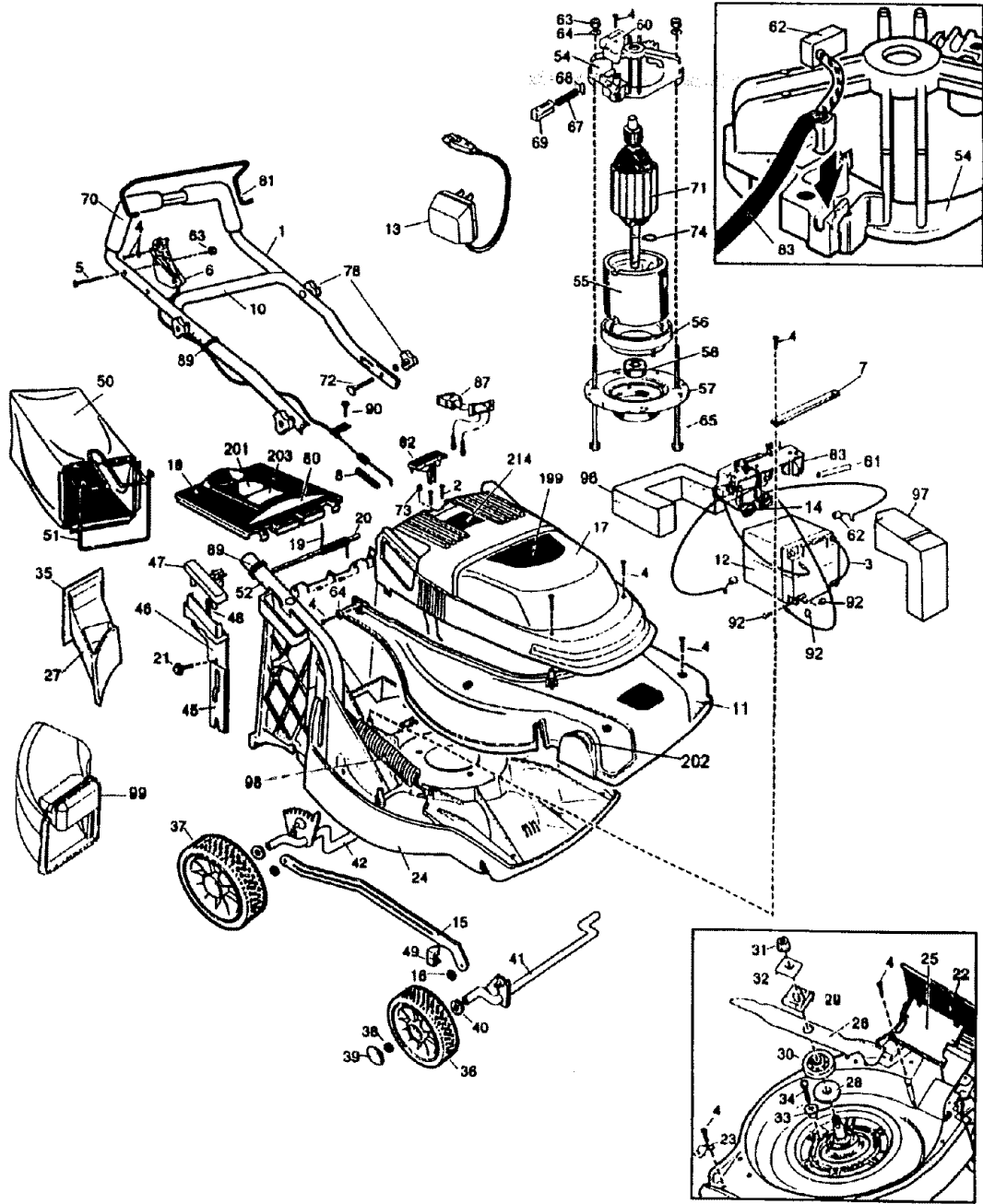
You can fold your lawn mower handle for storage.

- Ensure that the power cord has been unplugged.
- Loosen both handle knobs.
- Carefully fold the handle forward over the mower.

**CAUTION:** DO NOT pinch cable between handle and motor shroud.

<b>TROUBLESHOOTING GUIDE</b>	
<b>PROBLEM</b>	<b>SOLUTION</b>
Mower doesn't run when switch lever is activated.	<ol style="list-style-type: none"> <li>1. Check to make sure safety key has been installed and is fully seated.</li> <li>2. Remove safety key, turn mower over and check that blade is free to turn.</li> <li>3. Has battery been fully charged? Plug in charger and wait for green light to come on.</li> </ol>
Motor stops while mowing.	<ol style="list-style-type: none"> <li>1. Remove Safety Key. Turn mower over and check that blade is free to turn.</li> <li>2. Raise cutting height of wheels to highest position and start mower.</li> <li>3. Has battery been fully charged? Plug in charger and wait for green light to come on.</li> <li>4. Circuit breaker may have tripped. It resets automatically. Re-set time could be as long as 1 minute. Slow down or raise cut height.</li> </ol>
Mower runs but cutting performance is unsatisfactory, or does not cut your entire lawn.	<ol style="list-style-type: none"> <li>1. Has battery been fully charged? Plug in charger and wait for green light to come on.</li> <li>2. Remove Safety Key. Turn mower over and check: <ul style="list-style-type: none"> <li>*Blade for sharpness</li> <li>*Deck and discharge chute for clogging.</li> </ul> </li> <li>3. Wheel height adjustment may be set too low for grass condition. Raise cutting height.</li> </ol>
Mower is too hard to push.	<ol style="list-style-type: none"> <li>1. Raise cutting height to reduce deck drag on grass. Check each wheel for free rotation.</li> </ol>
Mower is abnormally noisy and vibrates.	<ol style="list-style-type: none"> <li>1. Remove Safety Key. Turn mower on side and check blade to ensure it has not been bent or damaged. If blade is damaged, replace with a Craftsman replacement blade. If the underside of the deck is damaged return mower to a <b>Sears Service Center</b>.</li> <li>2. If there is no visible damage to the blade and the mower still vibrates, return the mower to a Sears Service Center.</li> </ol>

CRAFTSMAN LAWN MOWER - MODEL NUMBER 900.370520



The Model Number will be found on the Nameplate. Always mention the Model Number in all correspondence regarding your tool.

SEE BACK PAGE FOR PARTS ORDERING INSTRUCTIONS

**PARTS LIST**

ITEM NO.	DESCRIPTION	QTY	ITEM NO.	DESCRIPTION	QTY	ITEM NO.	DESCRIPTION	QTY	
1	242592-01 Upper Handle	1	42	242365-07 Rear Axle	1	98	242601-00 Spring	1	
2	133042-00 Screw	2	45	242362-01 Lever Lock	1	99	242867-00 Discharge Chute	1	
3	242614-00 Jumper Lead	1	46	242350-01 Handle	1	198	264768-00 Identification Label	1	
4	86964-00 Screw	25	47	242351-01 Support	1	201	264767-00 Caution Label	1	
5	99298-32 Screw	4	48	241656-00 Spring	1	202	264775-00 Height Adjustment Label	1	
6	242644-01 Switch	1	49	242353-01 Indicator	1	203	264776-01 Nameplate	1	
7	242881-00 Battery Strap	1	50	243102-01 Grass Bag	1	214	264776-00 Upper Label	1	
8	242723-00 Spring	1	51	242500-02 Bag Frame	1	<b>PARTS NOT ILLUSTRATED: (Supplied with Unit)</b>			
9	400240-00 Washer	1	52	242867-01 Lower Handle	2	264774-00 Instruction Manual	1		
10	242593-01 Middle Handle	1	54	242735-00 End Cap & Bearing	1	241270-00 Foam Pads (between batteries)	3		
11	242494-02 Lower Shroud	1	55	242779-01 Magnet Ring	1	<b>OPTIONAL ACCESSORIES:</b>			
12	242738-01 Battery	1	58	242254-01 Insulator	1	(Not Supplied With Unit)			
13	243103-00 Transformer	1	57	241590-07 Lower Stamping	1	242604-00 Connection Diagram			
14	239715-04 Tie Wrap	2	58	70055-00 Ball Bearing	1	242776-01 Motor Assembly (Incl. 54,55,56,57,58, 63,64,65,71,74)			
15	242357-01 Connecting Rod	2	60	242253-01 Brush Cap	2	<b>φ NOTES:</b>			
16	241658-03 Push Ring	2	61	242763-03 Conduit	1	2,5,21 Torque to 9-15 in./lbs.			
17	242495-01 Upper Shroud	1	62	242008-00 Shunted Brush	2	4 Torque to 9-12 in./lbs.			
18	242352-00 Rear Door	1	63	32689-00 Stop Nut	4	5,90 Torque to 18-22 in./lbs.			
19	242380-00 Torsion Spring	1	64	99361-10 Washer	6	31 Torque to 20-30 ft./lbs.			
20	242064-01 Rod	1	65	242694-00 Screw	2	63 Tab and slot must mate at each end of magnet ring before tightening screws.			
21	72954-00 Screw	1	67	242207-00 Brush Spring	2	<b>IMPORTANT! To assure product SAFETY and RELIABILITY, repairs, maintenance and adjustment should be performed by Sears Service Centers or other qualified service organizations, always using Sears replacement parts.</b>			
22	241524-02 Flap	1	68	70162-00 Terminal	2	Model No. 900.370520			
23	242363-00 Strap	4	69	242774-00 Brush Insert	2	Volts 24.0 DC			
24	242484-08 Deck (Incl. 47,52,98)	1	70	242461-01 Grip	2	<b>Eng: RWA 2/88TS</b>			
25	242379-00 Bottom Plate	1	71	242028-05 Armature	1				
26	242381-00 Blade	1	72	241947-01 Curved Head Screw	4				
27	242382-04 Mulch Plate	1	73	239723-09 Gasket	1				
28	680812-00 Upper Blade Spacer	1	74	137203-00 Retaining Ring	1				
29	241381-01 Blade Insulator	1	76	241545-03 Knob Assembly	4				
30	241646-00 Spacer	1	80	264756-00 Label	1				
31	239487-00 Hex Nut	1	81	242610-01 Ball Handle	1				
32	92715-00 Spacer	1	82	241871-08 Key Assembly	1				
33	241594-02 Spacer	3	83	242695-03 Electronic Module	1				
34	681548-01 Screw	3	87	242600-00 Battery Gauge	1				
35	264773-00 Label	1	89	239715-06 Tie Wrap	2				
36	242600-00 7" Wheel	2	90	242373-00 Screw	1				
37	242618-00 9" Wheel	2	Hardware Bag (Incl. (2) bolts, (2) nuts, (2) Lock washers, (2) flat washers						
38	241658-01 Push Ring	4	96	242780-00 Rear Foam	1				
39	239540-04 Wheel Cover	4	97	242781-00 Front Foam	1				
40	242488-00 Washer	4							
41	242364-03 Front Axle	1							

## CONTENIDO

Lista de partes ilustrada	19	Especificaciones del producto	34
Orden de partes	20	Mantenimiento	34
Garantía	21	Itinerario de mantenimiento	34
Instrucciones de seguridad	21	Servicio y ajustes	35
Ensamblaje	24	Almacenaje	35
Operación	27	Solución a problemas frecuentes	36

## GARANTIA

### GARANTIA LIMITADA POR DOS AÑOS EN LA PODADORA CRAFTSMAN

Sears reparará sin cargos cualquier defecto que se presente en materiales o mano de obra de esta podadora Craftsman, durante dos años a partir de la fecha de compra, siempre y cuando se le proporcione el mantenimiento, la lubricación y ajustes necesarios, de conformidad con las instrucciones de mantenimiento y operación señaladas en el manual del propietario.

Si la podadora Craftsman se utilizase con fines comerciales o de renta, esta garantía se aplica únicamente durante 90 días a partir de la fecha de compra.

Esta garantía no cubre:

- Piezas que sufran desgaste con el uso normal, como las cuchillas, los adaptadores de cuchillas y las bandas.
- Las reparaciones necesarias debidas a maltrato o negligencia del operador, incluyendo los árboles de las bandas y la falta de mantenimiento al equipo de acuerdo a las instrucciones señaladas en el manual del propietario.

EL SERVICIO EN GARANTIA ESTA A SU DISPOSICION llevando la podadora Craftsman al Centro o Departamento de Servicio Sears más cercano dentro de los Estados Unidos. Esta garantía se aplica únicamente mientras se utilice el producto en los Estados Unidos.

Esta garantía le otorga ciertos derechos específicos, y usted puede tener otros derechos que varíen de estado a estado.

Sears, Roebuck and Co., Hoffman Estates, IL 60179 USA.

## INSTRUCCIONES DE SEGURIDAD

**PRECAUCION:** No intente operar esta podadora hasta que haya leído este manual completamente y comprendido todas las instrucciones, reglas de seguridad, etc., contenidas en este manual. La falta de cumplimiento puede resultar en accidentes que involucren incendio, choque eléctrico o lesiones personales de gravedad. Conserve el manual del propietario y revíselo con frecuencia para continuar con la operación segura y para instruir a terceras personas que pudiesen utilizar esta podadora.

Los estándares de seguridad requieren de la presencia de un interruptor de control con presencia del operador para minimizar la posibilidad de riesgos. Su unidad está equipada con tal dispositivo. No intente anular su función por ningún motivo.

### ENTRENAMIENTO

- Lea cuidadosamente este manual del operador. Familiarícese con los controles y sepa a operar su podadora apropiadamente. Aprenda a apagar su podadora rápidamente.
- Evite ambientes peligrosos. No utilice su podadora bajo la lluvia ni en lugares mojados. No la opere en atmósferas gaseosas o explosivas. Los motores producen chispas en condiciones normales, y estas chispas pueden originar la ignición de los vapores.

- No permita que los niños utilicen su podadora. Nunca permita que un adulto use la podadora sin las instrucciones apropiadas.
- Conserve el área de operación libre de personas, particularmente niños pequeños y mascotas.
- Utilice la podadora únicamente como se describe en este manual.
- No opere la podadora si se ha caído o dañado en alguna forma. Hágala reparar siempre antes de usarla.
- No opere la podadora sin la extensión recomendada. Asegúrese que la extensión esté en buenas condiciones antes de encender la podadora.
- No utilice accesorios que no estén recomen-

dados en este manual. El uso de dichos accesorios puede ser peligroso.

- La cuchilla siempre gira cuando el motor está en funcionamiento.
- Evite el encendido accidental. No juegue con el interruptor de control en presencia del operador cuando no se emplee.

### PREPARACION:

- Inspeccione a conciencia el área donde se usará el equipo y elimine todas las piedras, varas, alambres, huesos y otros objetos extraños. Estos objetos serán lanzados por la cuchilla y pueden ocasionar lesiones graves.
- Utilice siempre gafas o protectores oculares de seguridad cuando emplee la podadora.
- Vístase de manera adecuada. No opere el equipo con los pies descalzos o cuando utilice calzado abierto. Utilice siempre calzado cerrado con buena tracción.
- Haga los ajustes necesarios a las ruedas antes de encender la podadora. Nunca intente hacer ajustes a la altura de las ruedas mientras el motor está en funcionamiento.
- Pude solamente a la luz del día o con buena iluminación artificial.
- No conecte la podadora hasta que esté lista para usarse.
- Proteja sus pulmones. Utilice una mascarilla o filtro contra polvo si la operación que va a efectuar lo produce.
- Retire las herramientas de ajuste antes de encender la podadora.

### OPERACION



La operación de cualquier podadora puede ocasionar que objetos extraños salgan despedidos hacia los ojos, con el consiguiente riesgo de daño ocular. Utilice siempre gafas o protectores oculares de seguridad al operar su podadora o al hacerle ajustes o reparaciones. Le recomendamos utilizar una máscara de visión amplia sobre las gafas, a su disposición en Sears.

- **PRECAUCION:** Revise con frecuencia la bolsa para pasto en busca de deterioro o desgaste. Reemplácela, en caso necesario, con una bolsa Craftsman Idéntica. No hacerlo puede ocasionarle lesiones originadas por las descargas del pasto.
- Conserve sus ojos y su mente en su podadora y en el área que piense podar. No permita que lo distraiga nada.
- Nunca opere el equipo en pasto húmedo o resbaladizo. Asegure siempre el apoyo de sus pies; conserve bien sujeto el mango y camine.
- No ponga las manos o los pies cerca de las piezas giratorias. Conserve siempre limpia la

abertura de descarga.

- Apague siempre la podadora cuando la deje o cuando no la utilice, y cuando atraviese caminos de grava, paseos o andadores.
- Nunca dirija la descarga del material hacia observadores, ni permita que nadie se acerque a la podadora cuando la esté operando.
- Protéjase contra el choque eléctrico. Repare o reemplace de inmediato los cables y las extensiones dañadas.
- No maltrate el cable. Nunca tire de la podadora por el cable. Desconéctela tirando suavemente de la clavija, no del cable.
- Antes de limpiar, inspeccionar o reparar su podadora, apague el motor y asegúrese perfectamente que la cuchilla y todas las partes móviles se hayan detenido. A continuación desconecte el cable para evitar el encendido accidental.
- Si la podadora hace contacto con algún objeto extraño, siga estos pasos:
  - i) Apague la podadora. Libere el interruptor.
  - ii) Desconecte el cable de alimentación.
  - iii) Inspeccione en busca de daños
  - iv) Repare cualquier daño antes de encender la podadora de nuevo y operarla.
- No opere la podadora si vibra anormalmente, apague y desconecte la podadora y busque inmediatamente la causa. Las vibraciones son generalmente aviso de problemas. Repare cualquier daño antes de encender la podadora de nuevo.
- No encienda el motor bajo techo.
- Nunca corte el pasto tirando de la podadora hacia usted. Pude en sentido perpendicular a las pendientes; nunca hacia arriba y hacia abajo. Tenga precaución extrema cuando cambie de dirección en las pendientes. No pude en pendientes muy pronunciadas - conserve bien apoyados los pies.
- Nunca opere la podadora sin que las guardas apropiadas, las placas u otros dispositivos de seguridad estén en su sitio.
- No fuerce la podadora. Esta hará el trabajo mejor y de manera más segura bajo las especificaciones para las que ha sido diseñada. Cuando pude en superficies irregulares o en pasto alto, elija una posición de corte más alta.
- No se sobre extienda. Conserve siempre el equilibrio y los pies bien apoyados.
- Esté alerta. Concéntrese en lo que esté haciendo y use el sentido común. No opere la podadora si está cansado. No corra cuando pude.
- No opere la podadora bajo la influencia de

drogas, alcohol o medicamentos. Hacerlo así puede originarle lesiones de gravedad.

- Aléjese del área de la cuchilla. Esté consciente acerca del riesgo de lesiones. Conserve las manos y los pies alejados de la cuchilla.
- **PELIGRO:** NO intente remover el material cortado o destapar la salida cuando la cuchilla esté en movimiento, existe riesgo de lesionarse gravemente.
- Si la podadora se atasca, asegúrese de apagar la podadora, espere a que la cuchilla se detenga y desconecte el cordón eléctrico antes de intentar destapar el canal de salida o de remover cualquier objeto de debajo de la cubierta. Revise cuidadosamente y haga reparar cualquier daño antes de volver a encender la podadora.

## OPERACION Y CUIDADOS A LA BATERIA

**PRECAUCION:** Utilice únicamente una batería de repuesto idéntica. Lleve su podadora a un centro de servicio Sears para que la reemplacen.

La batería de su podadora inalámbrica es un sistema de 24 volts de ácido de plomo sellado. No contiene ningún líquido, por lo tanto puede guardarse en cualquier posición si temor a que haya fugas.

- Para obtener el rendimiento óptimo, cargue la batería completamente antes de utilizarla por primera vez.
- Es preferible cargar la batería en un sitio fresco y seco.
- La batería no necesita descargarse completamente antes de recargarse.
- La batería se puede guardar con seguridad hasta en temperaturas de  $-40^{\circ}\text{C}$  ( $-40^{\circ}\text{F}$ ).
- La batería no necesita mantenimiento.
- Almacenaje fuera de temporada
  - i. En climas cálidos, para asegurar el rendimiento óptimo, se recomienda que la batería se conserve en carga constante.
  - ii. La podadora se puede guardar con el cargador desconectado si se encuentra bajo todas las siguientes condiciones.
    - la podadora está completamente cargada antes de guardarla.
    - la temperatura promedio en el lugar de guardado es inferior a  $10^{\circ}\text{C}$  ( $50^{\circ}\text{F}$ )
    - el periodo de almacenaje será menor a 6 meses

## REGLAS DE SEGURIDAD PARA EL CARGADOR

- Conecte el cargador directamente a una toma de corriente. **NO MALTRATE EL CABLE.**

Nunca acarree el cargador por el cable. No desconecte el cargador de la toma de corriente o de la podadora tirando del cable.

- **PRECAUCION:** No intente usar este cargador con ningún otro producto para evitar riesgos de choque eléctrico, incendio y lesiones personales. De la misma manera, no intente recargar su podadora con otro cargador.
- No haga servicio a la podadora con el cargador o con la llave de seguridad instalados..
- No opere un cargador dañado. Haga cambiar el cable o el cargador dañado inmediatamente por un centro de servicio autorizado Black & Decker.
- Siempre cargue la podadora en un lugar seco protegido del mal tiempo. No exponga el cargador o la podadora a la lluvia. No cargue la podadora cuando la temperatura se superior a  $40^{\circ}\text{C}$  ( $104^{\circ}\text{F}$ ) o inferior a  $5^{\circ}\text{C}$  ( $41^{\circ}\text{F}$ ).
- Aleje la podadora y el cargador de agua y fuentes de calor (radiadores, calentadores, estufas, etc.), flamas y productos químicos. Tenga cuidado de no dañar el cable del cargador, aléjelo de bordes cortantes.

**PRECAUCION:** Siempre desconecte el cargador de la toma de corriente (contacto de pared) antes de quitar el conector. Bajo ciertas condiciones, con el cargador conectado a la toma de corriente, el conector al quedar expuesto, puede hacer cortocircuito con algún material extraño y puede ocasionar un incendio. Los materiales extraños de naturaleza conductora, como, pero no limitados a alambre de acero, papel aluminio, o cualesquiera otras partículas metálicas, deben conservarse alejados del conector. Desconecte siempre el cargador antes de limpiarlo.

## MANTENIMIENTO Y ALMACENAJE

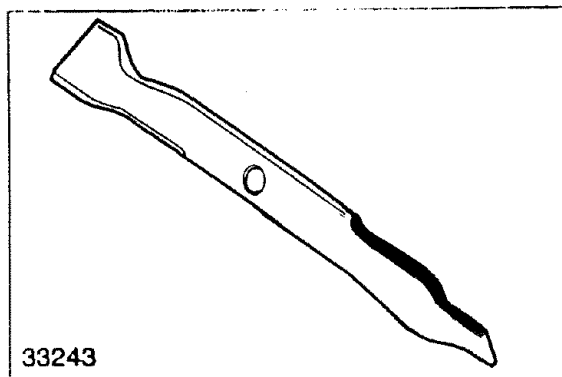
- Revise a menudo los tornillos de montaje de la cuchilla y el motor para asegurarse que estén bien apretados.
- Revise a intervalos frecuentes todos que todos los tornillos, tuercas y pijas estén bien apretados para asegurarse que la podadora esté en condiciones seguras de trabajo.
- Conserve todos los dispositivos de seguridad en su sitio y listos para trabajar.
- Conserve el motor libre de pasto, hojas y grasa o aceite excesivos para reducir el riesgo de incendios.
- Conserve siempre afilada la cuchilla de su podadora.
- Permita que el motor se enfríe antes de guardar la podadora.
- Conserve la podadora limpia y seca. Utilice siempre un trapo húmedo para limpiarla. Nunca utilice líquido de frenos, gasolina, productos con base de petróleo, solventes, ni

agua para limpiar la podadora.

- No puede si el interruptor no funciona. Haga reemplazar un interruptor defectuoso por un técnico de servicio calificado de un centro o departamento de servicio autorizado.
- Revise las partes dañadas. Antes de seguir utilizando la podadora, una guarda u otras partes dañadas deben ser revisadas cuidadosamente para determinar si cumplirán con su función adecuadamente. Revise la alineación de las piezas móviles, la ruptura en piezas, la unión de piezas móviles, el montaje, y cualesquiera otras condiciones que pudiesen afectar su operación. Una guarda u otra pieza dañadas deberán ser reparadas correctamente defectuoso por un técnico de servicio calificado de un centro o departamento de servicio autorizado.
- Cuando efectúe servicio asegúrese que se empleen únicamente refacciones Craftsman idénticas. El servicio a esta podadora debe efectuarlo únicamente un técnico calificado. Le sugerimos que envíe la unidad al centro o departamento de servicio más cercano.
- Cuando cambie la cuchilla, utilice únicamente las piezas recomendadas por el fabricante. El uso de cualquier otra cuchilla puede ocasionar lesiones personales de gravedad o daños a su podadora.
- Guarde la podadora bajo techo. Cuando no la utilice, guárdela en la cochera, en el sótano, etc. El área en donde la guarde deberá estar bajo llave, fuera del alcance de los niños.
- Cuide su podadora. Conserve la cuchilla limpia y afilada para obtener un rendimiento mejor y más seguro. Siga las instrucciones de lubricación y cambio de accesorios.

### CUCHILLA DE REPUESTO

La cuchilla de repuesto es la parte #33243 y está a su disposición en las tiendas y centros de servicio Sears.



## ENSAMBLAJE

### CONTENIDO DE LA CAJA

- Podadora (viene con el inserto de recorte instalado).
- Canal de descarga lateral.
- Bolsa para pasto
- Estructura de la bolsa para pasto.
- Cargador

### PARA SACAR LA PODADORA DE SU CAJA

Su podadora se ha ensamblado completamente en la fábrica, con excepción de la bolsa para pasto.

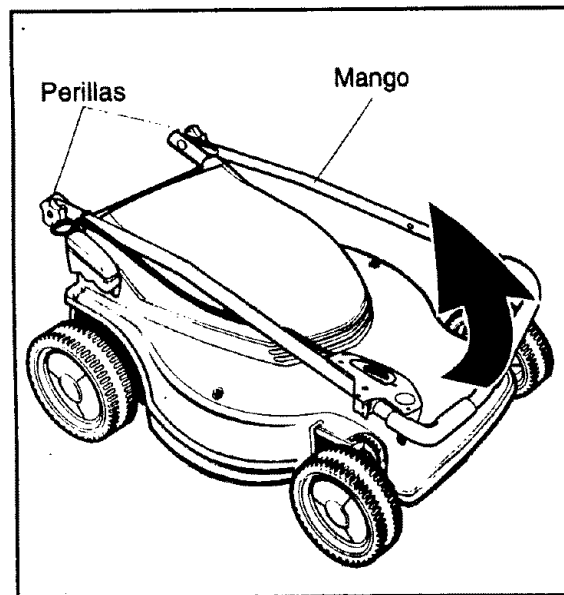
**PRECAUCION:** No levante la podadora sujetándola del ajuste de altura de accionamiento con los dedos.

- Quite la estructura de la bolsa para pasto, las instrucciones de ensamblaje de la bolsa y los rellenos de cartón.
- Saque la podadora de la caja y coloque las cuatro ruedas en el piso.
- Revise la caja cuidadosamente y asegúrese que no hay piezas sueltas.

### Para desplegar el mango

Levante la sección del mango hasta su posición y asegúrela apretando las dos perillas. Consulte la figura a continuación.

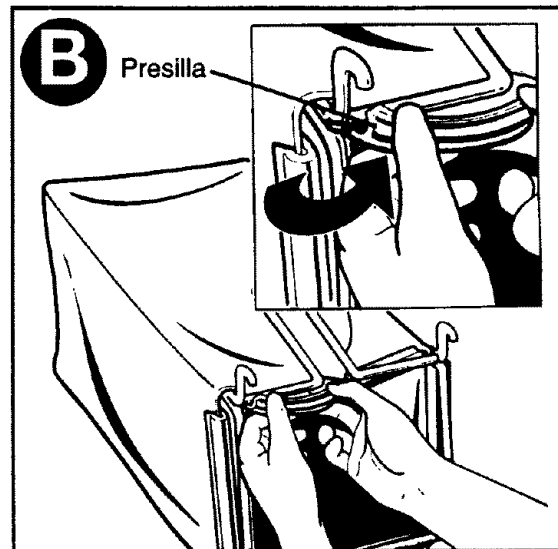
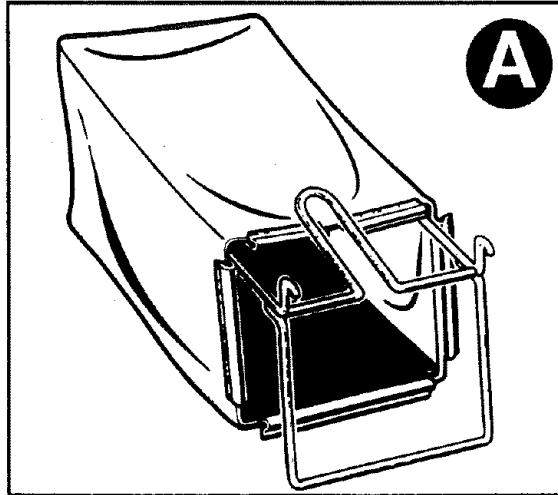
**ADVERTENCIA:** Por su propia seguridad, NO use esta podadora sin la bolsa para pasto o el inserto recortador en posición de operación.





## ENSAMBLAJE DE LA BOLSA PARA PASTO

- Deslice la bolsa para pasto en el armazón. (Observe la Fig. A.)
- La bolsa para pasto tiene unas presillas cosidas alrededor de la abertura.
- Ensamble las dos presillas superiores al armazón, continúe con las dos presillas laterales y deje para el final la presilla inferior. (Observe la Fig. B)
- Consulte la sección "Instalación de la bolsa para pasto" antes de colocarla en la podadora.



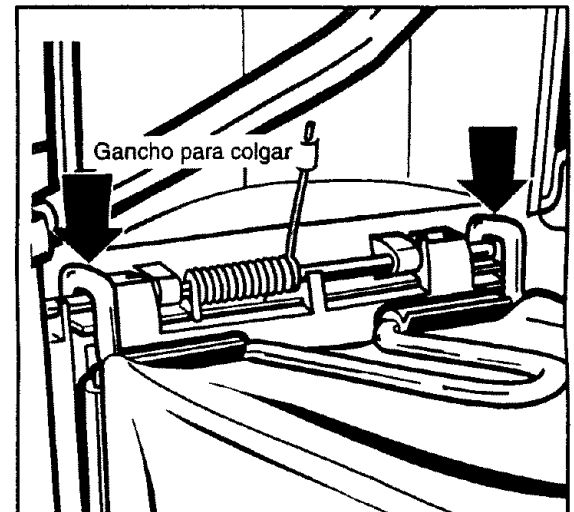
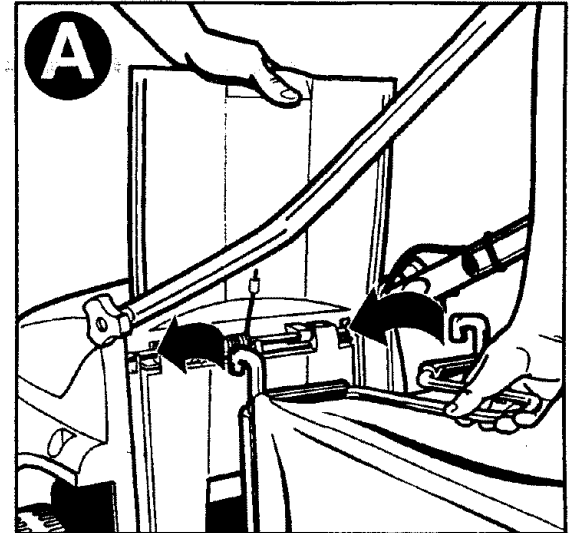
## INSTALACION DE LA BOLSA PARA PASTO

- Por debajo y en medio de los mangos de la podadora, levante la puerta trasera de descarga hasta que quede en posición vertical y sujétela. (Observe la Fig. A)
- Saque el inserto de recorte. Consulte la página ?? "Remoción del inserto de recorte".
- Levante la bolsa para pasto por el mango y a continuación bájela entre los mangos de la

podadora. Coloque los ganchos de la bolsa en la podadora en la varilla metálica, bajo la puerta trasera. (Observe la Fig. B)

- Suelte la puerta trasera.

**ADVERTENCIA:** Nunca opere la podadora a menos que los ganchos de la bolsa estén correctamente asentados en la podadora y la puerta de descarga esté firme contra la parte superior de la bolsa para pasto.



## INSTALACION DEL CANAL DE DESCARGA LATERAL

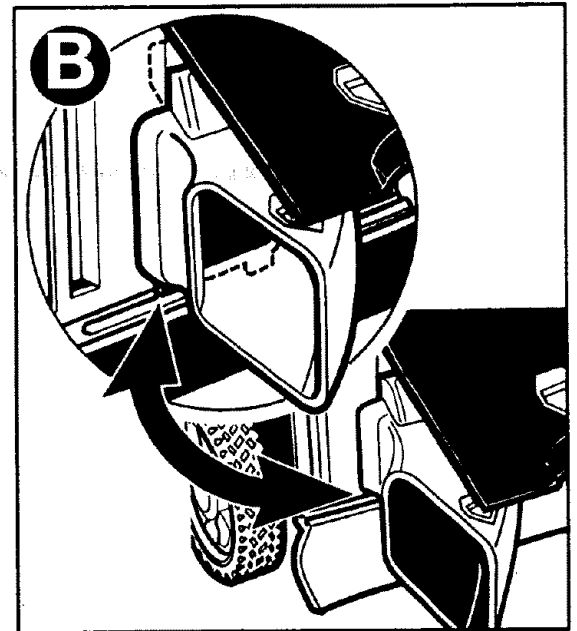
- Apague la podadora, espere a que la cuchilla se detenga y desconecte el cable de la toma de corriente.
- Levante la puerta trasera por entre los mangos, sujétela con una mano. Asegúrese de haber retirado el inserto de recorte. Consulte la página ?? "Remoción del inserto de recorte".
- Tome el canal de descarga con la otra mano y mientras lo inclina hacia abajo, inserte el gancho en la abertura de descarga de la podadora. (Observe la Fig. A)

- Gire el canal hasta que haga contacto completo con la cubierta, y las costillas inferiores queden en los canales de la cubierta (Figura B.)
- Baje la puerta hasta que descansa sobre el canal de descarga.

**ADVERTENCIA:**

- No utilice el canal de descarga si está dañado.

- Por su propia seguridad, **NO** utilice la podadora sin que tenga instalada la bolsa para pasto, el inserto de recorte, o el canal de descarga en posición de operación.



## CONOZCA SU PODADORA

LEA ESTE MANUAL DEL PROPIETARIO Y LAS REGLAS DE SEGURIDAD ANTES DE OPERAR SU PODADORA. Compare las ilustraciones con su podadora para familiarizarse con la localización de los diferentes controles y ajustes. Conserve este manual para referencias futuras.

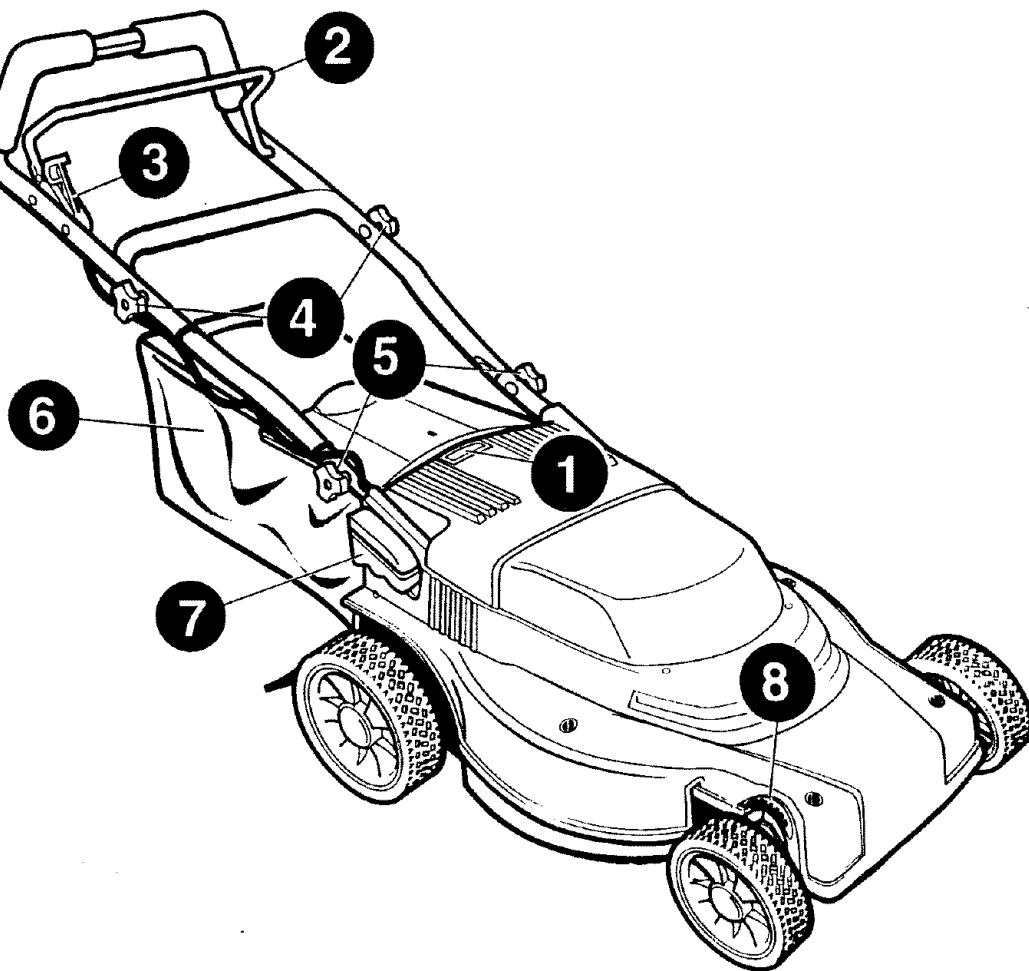
Estos símbolos pueden aparecer en su podadora o en la literatura que se proporciona con el producto. Aprenda y comprenda su significado.



PRECAUCION O  
ADVERTENCIA



PELIGRO, CONSERVE  
ALEJADOS MANOS Y PIES



### CUMPLE CON LOS REQUERIMIENTOS DE SEGURIDAD CPSC

La podadoras eléctricas rotativas Sears cumplen con los estándares de seguridad del American National Standards Institute y del U.S. Consumer Product Safety Commission.

**ADVERTENCIA:** La cuchilla gira cuando el motor está en funcionamiento.

Llave de seguridad (1)

El interruptor de control con presencia del operador consta de Mango en arco (2) y Palanca del interruptor (3)

Perillas de ajuste del mango (4)

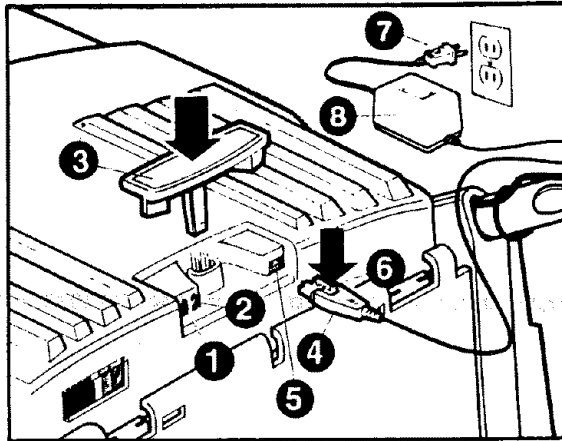
Perillas para guardar el mango (5)

Bolsa para pasto (6)

Liberador del ajuste de altura de corte (7)

Indicador de altura de corte (8)

## CARGA DE LA BATERIA



Aunque la batería de su podadora estaba completamente cargada al dejar la fábrica, es necesario recargarla antes de usarla por primera vez. Esto asegurará que funcione a su máxima capacidad operativa.

Hay dos luces indicadoras de carga en su podadora. La luz roja (1) se enciende cuando la batería está cargando. La luz verde (2) se enciende cuando la batería está completamente cargada. Durante la temporada de poda, deje la podadora conectada siempre excepto cuando la utilice.

### Llave de seguridad

A fin de evitar el encendido accidental o no autorizado de su podadora inalámbrica, se ha incorporado una llave de seguridad (7) en el diseño de ésta. La podadora quedará completamente inoperable cuando se quite la llave de seguridad. La llave de seguridad tiene un orificio en el centro para poder guardarla en un clavo, fuera del alcance de los niños.

**PRECAUCION:** Siempre quite la llave de seguridad de la podadora cuando la deje desatendida, aun por un período corto.

### PARA CARGAR LA BATERIA

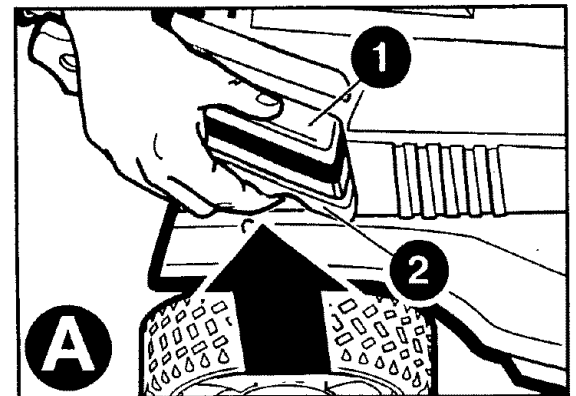
- Retire la llave de seguridad (7).
- Conecte el cable del cargador (3) al receptáculo (9) de la podadora. La clavija del cable del cargador tiene una pinza (6) que la asegura a la podadora durante la carga para evitar la remoción accidental.
- Inserte la clavija para 120 volts del cargador a un contacto de pared.
- La luz roja en la podadora deberá encenderse indicándole que la batería se está cargando. La luz roja se apagará y la verde se encenderá cuando la carga se haya completado. Le toma aproximadamente 24 horas cargarse a una batería totalmente descargada.
- Para obtener el rendimiento óptimo durante la temporada de poda, conecte la podadora al cargador siempre que no la utilice.

- Para retirar la clavija de la podadora, oprima la pinza con firmeza en dirección de la flecha y tire de la clavija del receptáculo de carga de la podadora.

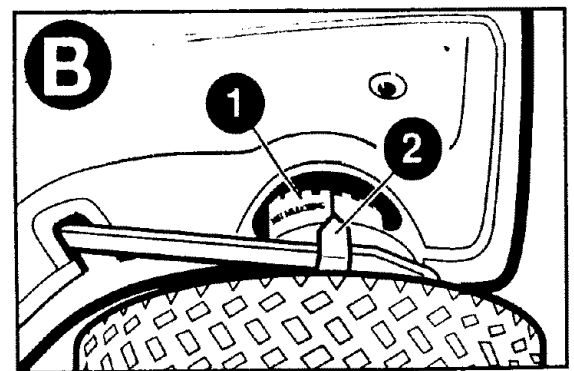
## AJUSTE DE ALTURA DE LAS RUEDAS (38 mm A 89 mm [1-1/2" A 3-1/2"])

**PRECAUCION:** Antes de hacer cualquier ajuste, libere el interruptor para apagar la podadora, espera a que se detenga la cuchilla y quita la llave de seguridad.

- Su podadora cuenta con un sistema de ajuste de altura de un toque. Este sistema le permite ajustar la altura de las cuatro ruedas al mismo tiempo.
- Para subir o bajar la altura de corte, coloque la palma de su mano en el apoyo (1) y con sus dedos, oprima hacia arriba en la palanca (2) y sujete. (Observe la figura A.)



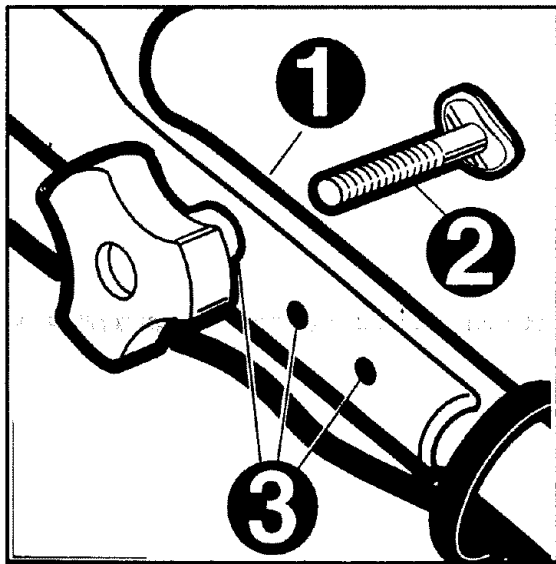
- Al mismo tiempo que sujeta la palanca con los dedos, puede subir o bajar la altura de corte. La podadora tiene siete posiciones para ajustar la altura de la cuchilla. Consulte la escala (1) y el indicador (2) en el frente de la podadora. (Observe la figura B.)



- Cuando haya ajustado la podadora a la altura que quiera, sujétela en posición oprimiendo la barra inferior derecha de la podadora con su mano izquierda. A continuación quite su mano derecha del asa para dedos para conservar asegurada la altura de corte.

**NOTA:** Para confirmar que la cubierta esté asegurada en alguna de las siete posiciones, presiones hacia abajo en el apoyo después de liberar la palanca para los dedos.

## AJUSTES AL MANGO



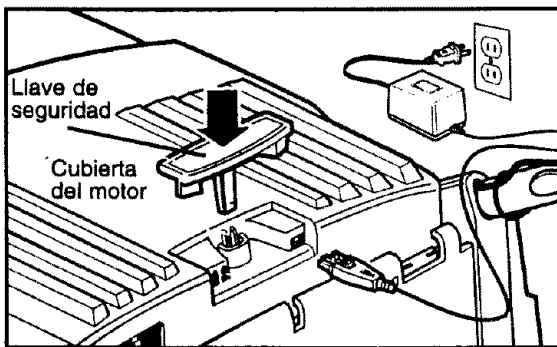
Su podadora cuenta con un sistema que le permite ajustar la altura del mango. Para ajustar la posición del mango para acomodarse a sus necesidades, utilice el siguiente procedimiento:

- Quite las dos perillas (1) de la parte media de las barras del mango y saque los dos tornillos (2).
- Deslice la parte superior del mango hacia cualquiera de las 3 posiciones de ajuste (3), alineando los orificios de las partes inferior y superior del mango.
- Inserte los tornillos e instale las perillas, apretando con firmeza. Las perillas deben quedar siempre en las partes exteriores del mango para evitar que interfieran con la puerta trasera y con la bolsa para pasto.

## PARA APAGAR LA PODADORA

Para apagar la podadora, suelte completamente el interruptor de control en presencia del operador.

## PARA ENCENDER LA PODADORA

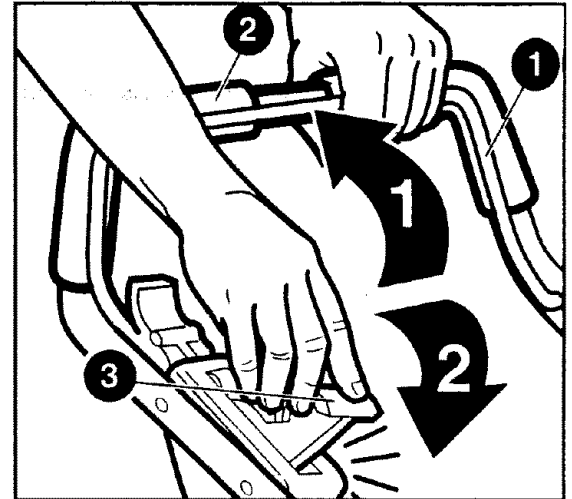


- Asegúrese que el cable del cargador esté desconectado de la podadora.
- Inserte la llave de seguridad en la carcasa de la cubierta del motor y empuje hacia abajo, hasta que la llave haya asentado completa-

mente en el interior de la carcasa. La podadora es operacional ahora y puede encenderse activando la palanca del interruptor.

**PRECAUCION:** Nunca intente anular la operación de este interruptor ni de la llave de seguridad.

## INTERRUPTOR DE CONTROL CON PRESENCIA DEL OPERADOR

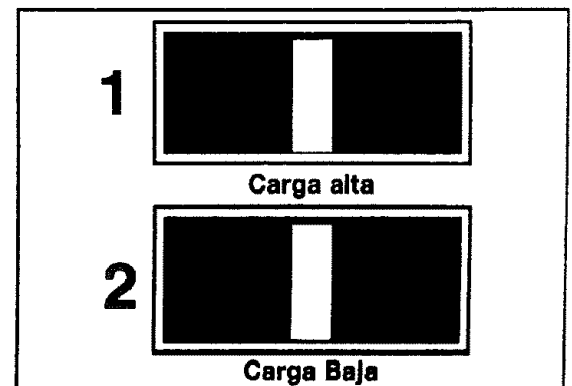


**PRECAUCION:** Los reglamentos federales requieren de la instalación de un control para el motor en la podadora, a fin de minimizar el riesgo de lesiones por contacto con la cuchilla. Por NINGUNA circunstancia trate de anular el funcionamiento del control de operación. La cuchilla gira cuando el motor está en funcionamiento.

Para operar el interruptor, tome el mango en arco (1) y tire de éste hacia la barra del mango (2). Empuje con firmeza la palanca del interruptor (3) hacia adelante hasta que asiente en la posición de "encendido". Para apagar la podadora, simplemente suelte el mango en arco.

## MEDIDOR DE BATERIA

Su podadora inalámbrica tiene un medidor para proporcionarle información sobre el estado de carga de su batería. Al operar la podadora, el medidor toma lectura y despliega la condición de la batería de la siguiente manera:



- Cuando la aguja apunte a la zona verde (1), la batería está en condición de carga alta.
- Cuando la aguja apunte a la zona roja (2), la batería estará descargada.
- Antes de utilizar su podadora nueva por vez primera, le recomendamos cargar la unidad durante toda la noche para asegurarse que la batería esté completamente cargada. Cuando encienda la podadora, el indicador debe apuntar a la zona verde, señalando que la batería cuenta con carga completa.
- Al usar la podadora, notará que la aguja del medidor bajará lentamente al descargarse la batería.
- Al podar el pasto con su podadora inalámbrica, será normal que la aguja del medidor fluctúe ya que las condiciones de corte cambian.
- Cuando la aguja del medidor apunte consistentemente a la zona roja, su batería estará descargada, aún cuando la podadora sea capaz de podar. Si continúa operando la podadora con la batería en estas condiciones, reducirá la vida útil y el rendimiento de ésta.

**Las siguientes sugerencias le ayudaran a obtener el máximo tiempo de operación con su podadora inalámbrica:**

- Baje la velocidad en áreas en las que el césped sea especialmente largo o grueso.
- Cuando desbroce, evite cortar más de 37 mm (1-1/2") de la longitud en una sola pasada.
- Evite podar cuando el césped esté mojado por la lluvia o por la brisa.
- Corte el césped frecuentemente, especialmente durante los periodos de gran crecimiento.

**NOTA:** Se recomienda recargar la podadora después de usarla, sin importar la posición de la aguja del medidor. La carga frecuente no dañara su batería, y le asegurara que la siguiente ocasión que desee usar la podadora la batería esté completamente cargada.

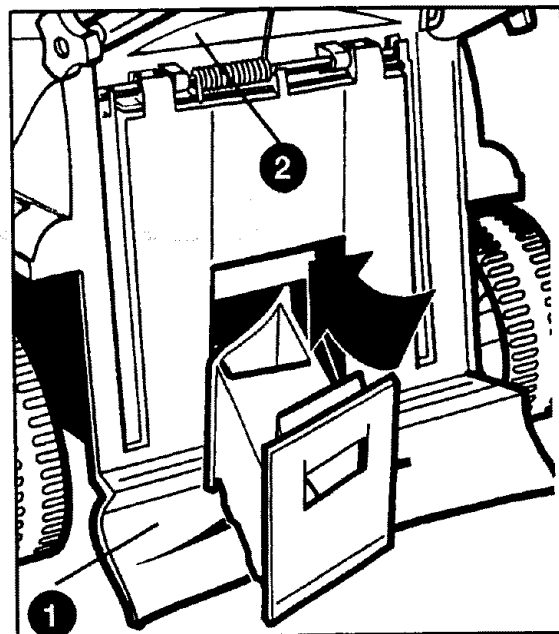
### ESCUDO DE SEGURIDAD Y PUERTA TRASERA

Este escudo de seguridad (1) está diseñado para minimizar el lanzamiento de piedras u otros objetos por la cuchilla de la podadora hacia atrás por debajo de la cubierta. El escudo, junto con la puerta trasera (2), minimizan la posibilidad de contacto accidental del pie con la cuchilla. **NO** opere la podadora sin que el escudo de seguridad y la puerta trasera estén en su sitio.

#### ADVERTENCIA:

- Por su propia seguridad, **NO** utilice esta podadora sin que la bolsa para pasto o el inserto para desbrozar estén en posición de operación.

- No opere la podadora si la puerta trasera no se encuentra bajo presión del resorte. Lleve su podadora al centro de servicio más cercano para que la reparen.



### RECOMENDACIONES DE PODADO

- Poda en sentido perpendicular a las pendientes, nunca hacia arriba y hacia abajo. Tenga cuidado extremo cuando cambie de dirección en las pendientes. No poda pendientes demasiado pronunciadas. Siempre apoye bien los pies.
- Siempre libere el interruptor para **APAGAR** la podadora cuando atraviese zonas con grava (la cuchilla puede arrojar piedras).
- Coloque la podadora en la posición de corte más alta cuando poda en tierra o donde haya hierbas altas.
- Apague la podadora de cuando en cuando y espere a que la cuchilla se detenga por completo. Desconecte el cordón eléctrico y gire la podadora de lado. Elimine el pasto acumulado en la zona de la cuchilla con un objeto similar a una vara. Tenga cuidado con los filos de la cuchilla.
- Si utiliza una bolsa para pasto durante la temporada de crecimiento rápido, el pasto puede tender a tapan el canal de descarga. Apague el interruptor y desconecte el cordón eléctrico. Quite el depósito de pasto y haga que el pasto se vaya hacia el extremo de la bolsa. Limpie también el pasto y cualquier otro desecho que se haya acumulado alrededor del canal de descarga. Vuelva a colocar el depósito de pasto. Limpie a menudo cuando poda pasto húmedo, en primavera.
- Si la podadora vibra anormalmente, **APAGUELA** y desconecte el cordón eléctrico. Busque la causa inmediatamente. Las vibra-

cionres son aviso de problemas. No opere la podadora hasta que le hayan efectuado una revisión de servicio.

- SIEMPRE APAGUE y desconecte la podadora cuando la deje desatendida, aun cuando sea por un periodo corto.

### RECORTE

- Su nueva podadora está diseñada para recortar los desechos del pasto varias veces y reducir su tamaño, para que, al caer al césped se disperse y no se note. El pasto se degradará rápidamente y proporcionará nutrientes al césped.
- Su podadora viene de fábrica con el inserto recortador instalado.

### RECOMENDACIONES PARA PODADO CON RECORTE

- Para obtener mejores resultados, conserve la cubierta de la podadora libre de pasto acumulado y otros desechos. Límpiela después de usarla cada vez. Vea LIMPIEZA en la sección de mantenimiento de este manual.
- Evite cortar el césped cuando esté húmedo. El pasto mojado tiende a agruparse y esto interfiere con la acción de recorte. El mejor momento para podar su césped es poco después del mediodía. A esta hora, el pasto estará completamente seco, y el área recién podada no estará expuesta a la luz directa del sol.
- Para obtener mejores resultados, ajuste la altura de corte de la podadora para que recorte únicamente la tercera parte superior de las hojas de pasto. Si el césped está demasiado crecido, será necesario aumentar la altura de corte para reducir el efecto de empuje y disminuir la sobrecarga del motor. Para podados extremadamente pesados haga cortes angostos y haga movimientos lentos.
- Ciertos tipos y algunas condiciones de pasto pueden requerir un segundo podado para disminuir las irregularidades. Cuando haga el segundo corte, realice el movimiento en forma perpendicular al primero. Si está podando en una pendiente, no realice el segundo corte en forma perpendicular si esto lo obliga a cortar paralelamente a la colina.
- Cambie el patrón de corte de semana a semana. Pude de norte a sur una semana y de este a oeste la siguiente. esto le ayudará a evitar que el corte quede disparejo.

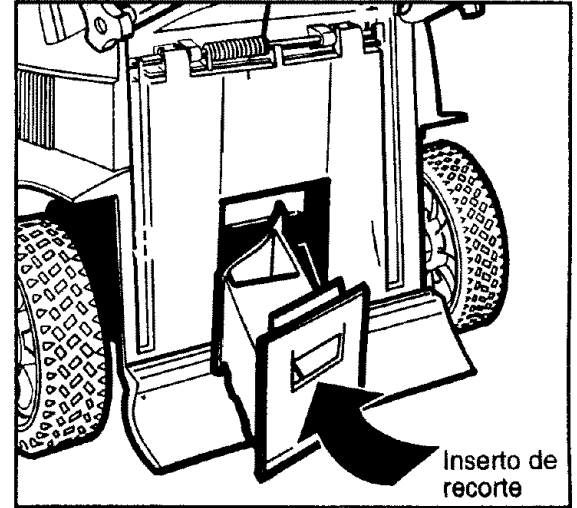
### REMOCION DEL INSERTO DE RECORTE

- Apague la podadora, espere a que la cuchilla se detenga y desconéctela.
- Levante la puerta trasera y sujétela.
- Coloque su mano en la abertura, levante y tire completamente del inserto recortador.

- La puerta trasera para descarga funciona con un resorte. Cuando libere el resorte la puerta regresará a la posición cerrada.

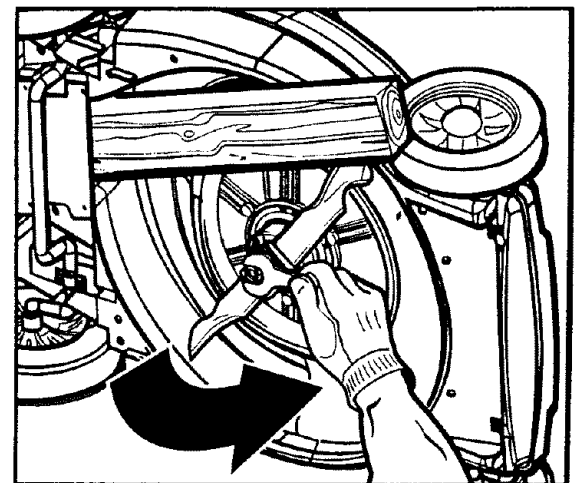
### INSTALACION DEL INSERTO RECORTADOR

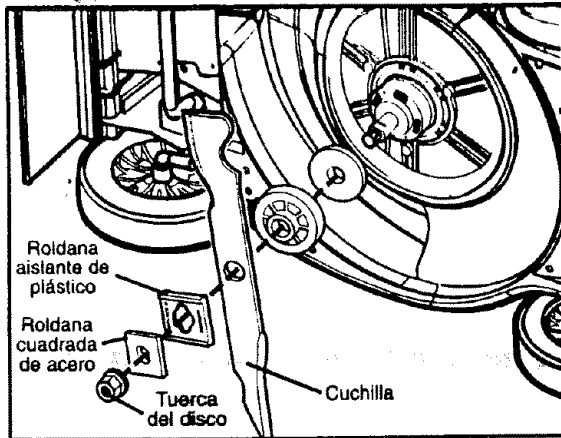
- Apague la podadora.
- Levante la puerta trasera y deslice el inserto recortador por la abertura de descarga hasta que haga contacto firme con la cubierta.
- Suelte la puerta trasera.



### REMOCION DE LA CUCHILLA

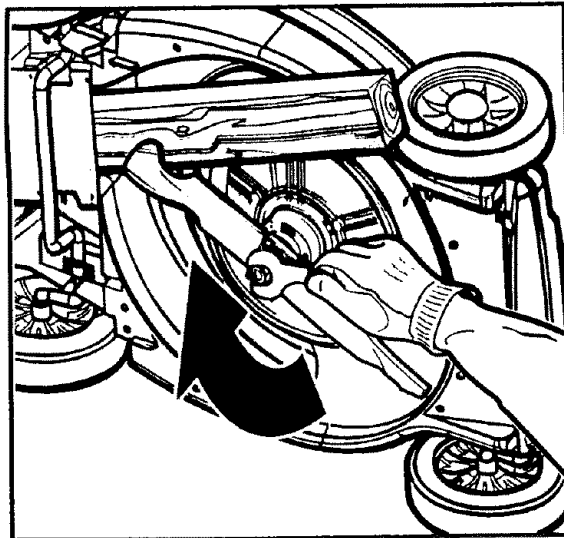
- ¡Libere la palanca del interruptor para apagar la podadora, espera a que la cuchilla se detenga y desconecte la podadora!
- Corte una pieza de madera de 10 cm de ancho por 60 cm de longitud para evitar que la cuchilla gire cuando quite la tuerca.
- Emplee guantes. Coloque la tabla y quite la tuerca como se ilustra.
- Quite el la roldana cuadrada de acero, el aislador de plástico y la cuchilla.



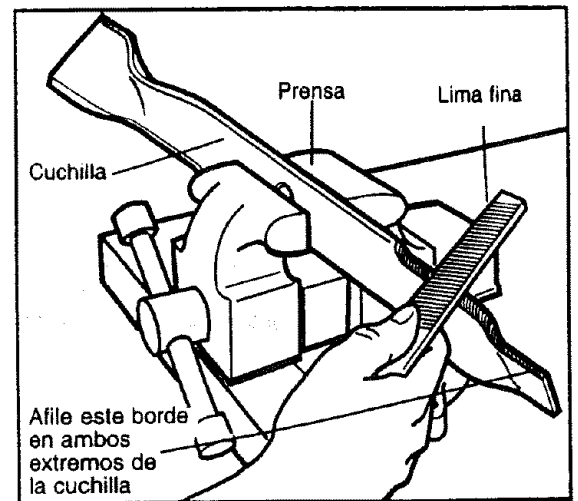


### CAMBIO DE LA CUCHILLA

- Coloque la cuchilla en el eje de manera que los bordes queden paralelos a los lados planos del eje. Asegúrese de colocar la cuchilla de manera que los filos queden de cara al suelo al funcionar la podadora.
- Coloque el aislador de plástico en el eje de manera que los dos bordes en relieve de la roldana queden sobre los bordes de la cuchilla.
- Coloque la roldana cuadrada de acero en el eje de manera que los lados rectos de la roldana queden paralelos a los lados planos del eje.
- Coloque la tuerca de la cuchilla en el eje. Asegúrese que todas las partes estén alineadas. Coloque la madera de manera que evite que la flecha gire y apriete la tuerca a 20-30 ft. lbs.



### AFILADO DE LA CUCHILLA



- Conserve la cuchilla afilada para obtener mejor rendimiento de la podadora. Una cuchilla desafilada no corta el pasto en forma uniforme.
- Utilice siempre protección para los ojos.
- Afilar la cuchilla dos veces durante la temporada de podado es suficiente bajo circunstancias normales. La arena desafila la cuchilla rápidamente. Si su suelo tiene tierra arenosa, afíle la cuchilla con mayor frecuencia.
- Reemplace las cuchillas dañadas o dobladas inmediatamente.

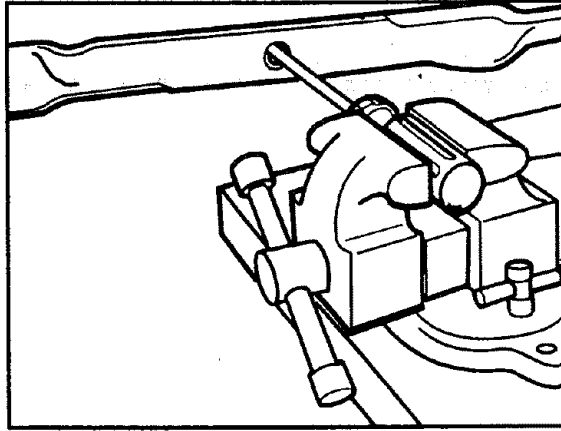
#### Para afilar la cuchilla:

- Asegúrese que la cuchilla está balanceada.
- Afíle la cuchilla en el ángulo de corte original.
- Afíle los bordes cortantes en ambos extremos de la cuchilla, removiendo la misma cantidad de material de ambos.
- Asegure la cuchilla en una prensa como se ilustra.
- Utilice gafas de seguridad y tenga cuidado de no cortarse.
- Afíle cuidadosamente los bordes cortantes de la cuchilla con una lima de dientes finos o con una piedra de afilar.
- Verifique el balance de la cuchilla. Vea las instrucciones para balancear la cuchilla.
- Vuelva a colocar la cuchilla en la podadora y apriete con firmeza.



## BALANCEO DE LA CUCHILLA

- Verifique el balance de la cuchilla colocando la perforación central sobre un clavo o sobre el vástago de un destornillador sujetado en una prensa. Si cualquiera de los extremos gira hacia abajo, afile ese extremo. La cuchilla está balanceada correctamente cuando ninguno de los extremos cae.



## RECOMENDACIONES GENERALES DE PODADO

- El césped debe podarse primero en la primavera cuando el pasto tenga de 62 a 75 mm de longitud. Podar antes de tiempo restringe el sistema de raíces que se renueva cada primavera. El pasto nuevo debe podarse cuando tenga alrededor de 62 mm de altura.
- No corte demasiada altura del pasto de una sola pasada... nunca más de 1/3 de la altura de la hoja. Cortar demasiado impactará las hojas de pasto sensibles, ocasionando un sistema de raíces débil y dificultando el acceso del pasto al agua en el suelo.
- Los expertos en jardinería están de acuerdo al decir que el corte de una parte grande de las hojas de pasto es responsable de muchas de las dificultades experimentadas con muchos céspedes. La profundidad y la fuerza de las raíces del pasto es casi exactamente proporcional a su crecimiento. Las hojas de los céspedes maduros se ven gravemente lesionadas cuando se podan a menos de 37 mm, y se prefiere una longitud de 37 a 50 mm en céspedes grandes.
- Poda su césped cuando esté seco para evitar la formación de bolas de pasto húmedo. Si puede elegir, las últimas horas de la tarde son el tiempo ideal para podar, no solamente porque el pasto estará seco, sino porque la zona recién descubierta de las hojas después de ser cortadas no quedarán expuestas a luz intensa del sol.
- Conserve la cuchilla afilada para obtener un corte limpio. Esto mejorará el rendimiento de la podadora y la apariencia de su césped. Una cuchilla sin filo arruina las puntas de las

hojas de pasto. Esto va contra el crecimiento saludable de su césped y aumenta la posibilidad de plagas. Si las puntas de las hojas de pasto están quemadas, tendrán un color terroso, y le darán a su césped una apariencia poco saludable. Una cuchilla sin filo también podrán tirar hacia arriba los germinados.

- Trate de podar su césped a la misma altura (consistentemente). Aún cuando cambie la altura de corte en temporadas cambiantes, una altura de corte consistente produce un césped más saludable y con mejor apariencia con generalmente menos plantas. Poda frecuentemente durante los periodos de crecimiento rápido. El corte frecuente asegura que la parte inferior del pasto, menos atractiva, no se verá.
- Si su césped ha crecido demasiado (las vacaciones, por ejemplo, pueden interrumpir su calendario de podado) corte a una altura una o dos posiciones más altas que lo normal. Una segunda pasada a la altura de corte "normal" unos cuantos días después devolverán su césped dentro del calendario.
- Durante la primavera y el otoño, (o después de una interrupción a su calendario de podado) el pasto estará más grueso y más largo. Si el motor baja su velocidad continuamente durante el podado, trate ajustando las ruedas en una posición más alta. La carga excesiva al motor puede ocasionar un podado disparado, y que la batería de su podadora se descargue, o que el interruptor de circuito se dispare, deteniendo al motor.
- Tres buenas ideas para mejorar la apariencia de su césped: Varíe la dirección de podado con frecuencia; poda horizontalmente en las laderas de las pendientes (esto es también una práctica de seguridad); y no olvide hacer la segunda pasada en forma perpendicular (cuando lo haga).
- Siempre poda el césped de manera que los recortes se descarguen en el césped podado. Esto conservará su césped con una apariencia fresca al evitar que los recortes se acumulen, los que eventualmente se pondrán café y se verán mal. Este método también preserva la carga de su batería, asegurando que usted obtenga el máximo de su podadora inalámbrica Craftsman.
- Durante las estaciones de primavera y otoño en que las hojas de pasto son más gruesa y largas, usted puede usar su podadora sin que la batería esté completamente cargada. (Por ejemplo, cuando la luz verde esté encendida). Esto le permitirá realizar pequeñas tareas de podado, pero no le recomendamos hacer esto con frecuencia, la batería y la podadora se desempeñan mucho mejor con carga completa.

## MANTENIMIENTO

### CUADRO DE RESPONSABILIDADES DEL USUARIO

ITINERARIO DE MANTENIMIENTO	ANTES DE CADA USO	DESPUES DE CADA USO	CADA 10 HORAS	CADA 25 HORAS	ANTES DE GUARDARLA	FECHAS DE SERVICIO					
LLENE LAS FECHAS EN QUE EFECTUA EL SERVICIO REGULAR											
Revisión de tornillos flojos	✓				✓						
Limpieza de la podadora		✓			✓						
Revisar/Afilar/Cambiar cuchilla			✓								
Recarga de la batería		✓			✓						

### RECOMENDACIONES GENERALES

- Observe siempre las reglas de seguridad cuando efectúe cualquier tipo de mantenimiento.
- La garantía de esta podadora no cubre partes que hayan sufrido maltrato o abuso por parte del operador. Para recibir el valor completo de la garantía, el operador debe dar mantenimiento a la podadora como se indica en este manual.
- Revise el desgaste en la cuchilla una vez al año.
- Siga el itinerario de mantenimiento de este manual.

#### Antes de cada uso:

- Revise en busca de tornillos y tuercas flojos.

### LUBRICACION

No se requiere lubricación.

**IMPORTANTE:** No aceite ni engrase los baleros de las ruedas de plástico. Los lubricantes viscosos atraen el polvo y la mugre y acortarán la vida de los baleros auto lubricantes. Si usted piensa que deben ser lubricados, utilice únicamente lubricante de grafito pulverizado.

### LLANTAS

- Conserve las llantas libres de gasolina, aceite o pesticidas que puedan dañar el hule.

- Evite baches, piedras, agujeros profundos, objetos afilados y otros peligros que puedan dañar las llantas.

### CUIDADO DE LA CUCHILLA

Para obtener mejores resultados, la cuchilla de la podadora debe estar afilada. Reemplace las cuchillas dobladas o dañadas.

### LIMPIEZA

- ¡APAGUE la podadora, permita que la cuchilla se detenga y retire la llave de seguridad!
- Utilice únicamente jabón suave y un trapo húmedo para limpiar la podadora. Limpie las ranuras en donde se hayan acumulado desechos en la parte interior de la cubierta. Después de varios usos, verifique que todos los tornillos estén apretados.

### EVITE LA CORROSION

- Los fertilizantes y otros productos químicos para jardinería contienen agentes que aceleran la corrosión de los metales. Si poda en áreas en donde se han utilizado fertilizantes u otros químicos, la podadora deberá ser limpiada inmediatamente.
- **6NO** vacíe o rocíe agua sobre la podadora para limpiarla.
- No guarde la herramienta en donde hay fertilizantes o agentes químicos ni cerca de ellos, pues esto causa corrosión acelerada.

### ESPECIFICACIONES DEL PRODUCTO

NUMERO DE MODELO	900.370520
ALIMENTACION	24 V CD, 17 A/H
VELOCIDAD DE LA CUCHILLA	3600 RPM
CORTE	482,6 mm (19")
PAR DEL TORNILLO DE LA CUCHILLA	20-30 FT.LBS.

## SERVICIO Y AJUSTES

**PRECAUCION:** Antes de realizar cualquier servicio o ajustes:

- Libere el interruptor de control en presencia del operador y pare el motor.
- Asegúrese que la cuchilla y todas las piezas móviles se hayan detenido.
- Retire la llave de seguridad.

### BATERIA

- La batería de su podadora es una batería recargable sellada de ácido de plomo de 24 volts. Para obtener la máxima vida útil de la batería, le recomendamos lo siguiente:
- Cargue la batería completamente antes de utilizarla por primera vez.
- Recargue la batería inmediatamente después de cada uso.
- Recargue la batería continuamente cuando la podadora no se use.
- Siempre recargue la batería bajo techo, en un sitio seco y protegido.
- NO cargue la batería en temperaturas extremadamente altas o bajas. Cargue la batería en un sitio en el que la temperatura sea mayor a 5°C (41°F) y menor a 40°C (104°F).

### DEFLECTOR TRASERO

El deflector trasero, instalado entre las ruedas posteriores de su podadora, se proporciona para minimizar la posibilidad de que salgan objetos despedidos por la parte trasera de la podadora hacia el operador. Si el deflector se daña, debe ser reemplazado.

### CAMBIO DE LA BATERIA

Si la batería recibe el mantenimiento adecuado, la vida útil esperada es de 4 a 7 años. Si se llega a requerir cambiarla, lleve su podadora a un centro de servicio Sears para que la reemplacen.

### AJUSTE DEL MANGO

Para ajustar el mango consulte "Ajustes al mango" en la sección de operación de este manual.

### PARA AJUSTAR LA ALTURA DE CORTE

Para ajustar la altura de corte, consulte "Ajuste de la altura de corte" en la sección de operación de este manual.

## ALMACENAJE

Prepare su podadora para almacenarla inmediatamente al término de la temporada si no se usará durante 30 días o más.

### PODADORA

Cuando la podadora deba guardarse por cierto tiempo, límpiela a conciencia, elimine toda la mugre, grasa, hojas, etc. Guárdela en un lugar limpio y seco.

- Limpie la podadora completa (Véase "LIMPIEZA" en la sección de mantenimiento de este manual).
- Asegúrese que todos los tornillos, tuercas y pijas estén apretados. Inspeccione las piezas móviles en busca de daños, rupturas y desgaste. Cambie en caso necesario.

### BATERIA

- Recargue completamente la batería. No guarde la podadora con la batería descargada. La batería dejará de funcionar rápidamente en muy poco tiempo si guarda la podadora con la batería descargada. Le recomendamos cargar la batería continuamente cuando la podadora esté almacenada y fuera de temporada.

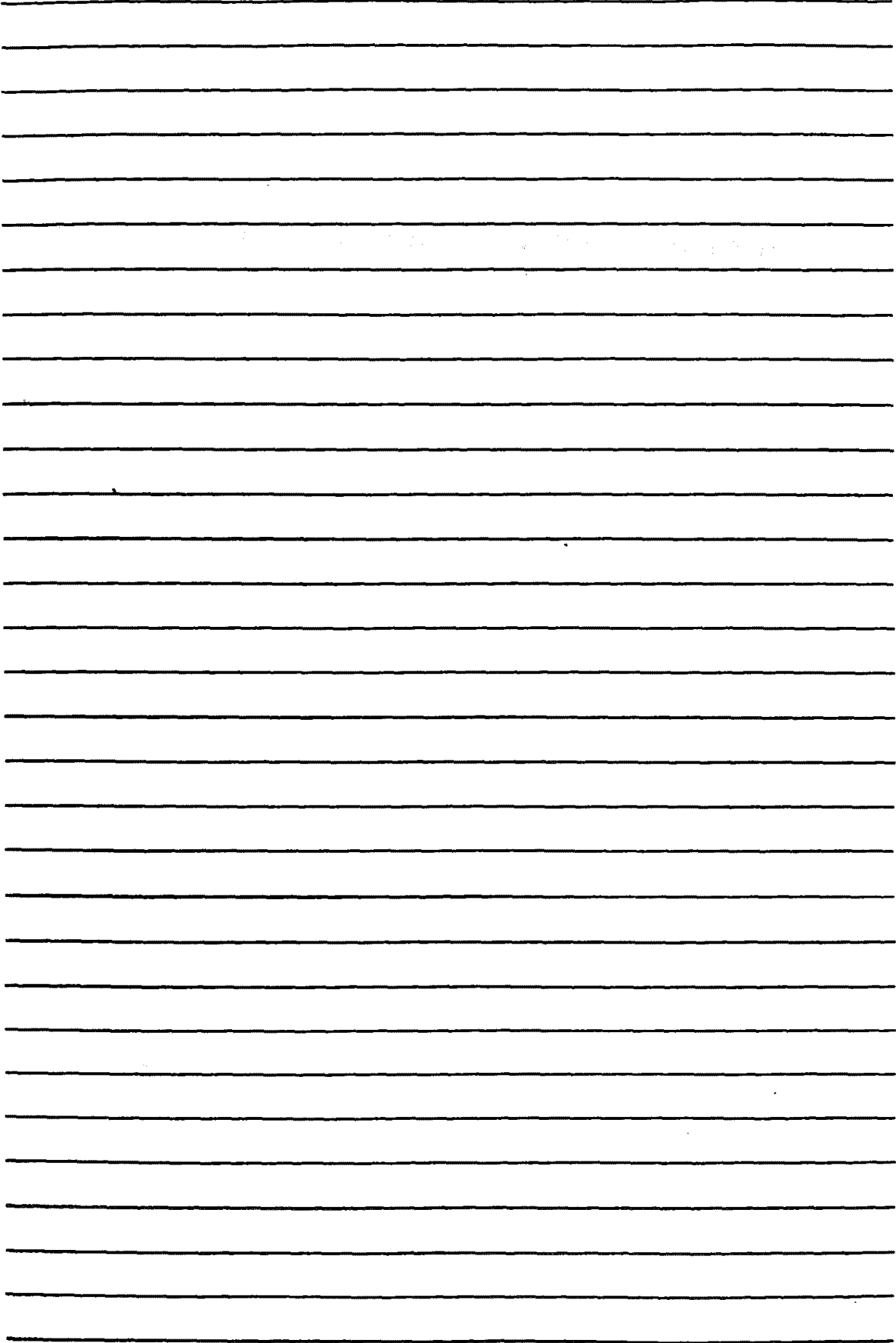
### MANGO

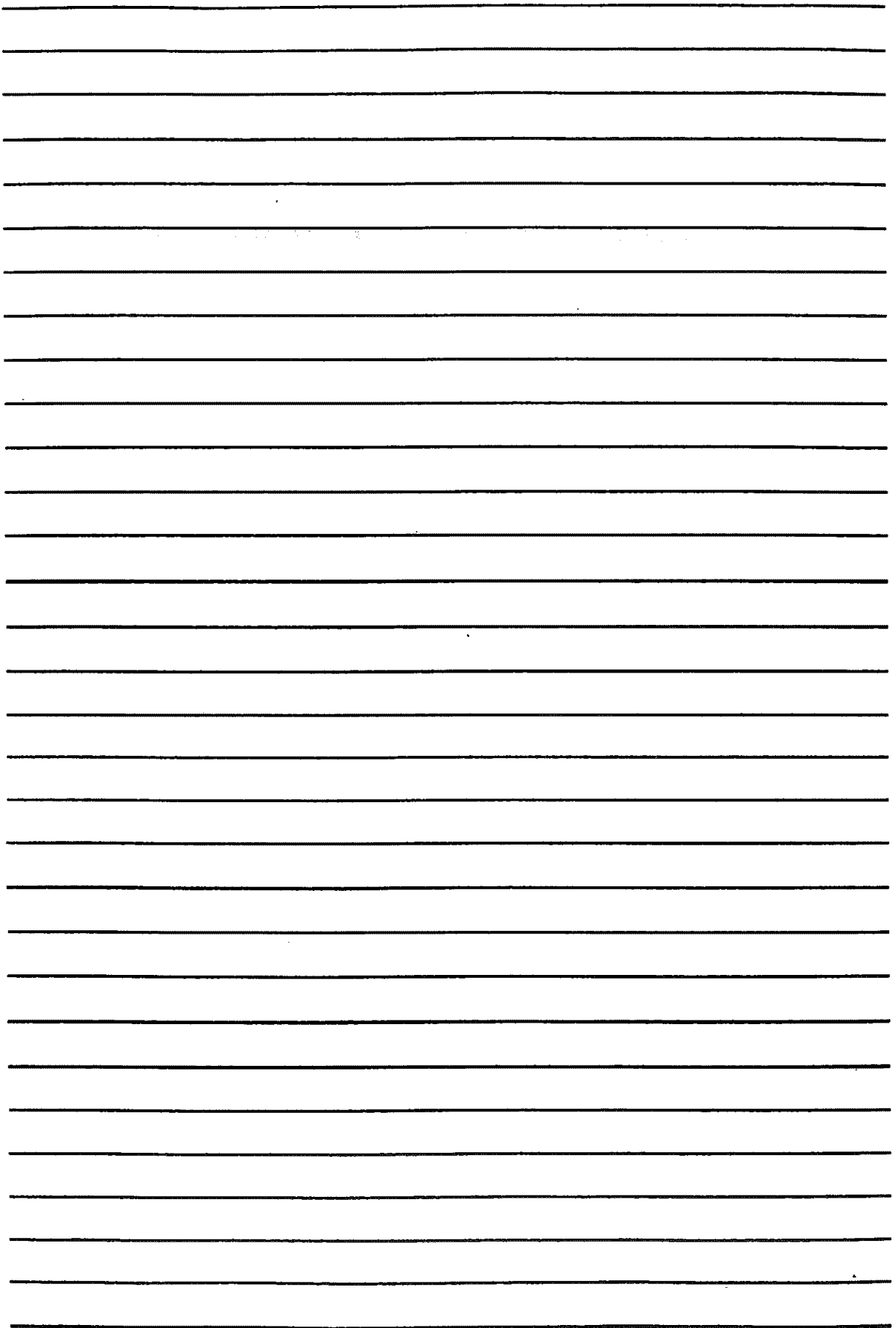
Usted puede plegar su podadora para guardarla.

- Asegúrese que el cable esté desconectado.
- Afloje ambas perillas del mango.
- Doble cuidadosamente el mango hacia delante sobre la podadora.

**PRECAUCION:** NO machuque el cable entre el mango y la cubierta de la podadora.

<p align="center"><b>GUIA PARA LA SOLUCION DE PROBLEMAS FRECUENTES</b></p> <p align="center"><b>PROBLEMA</b></p>	<p align="center"><b>SOLUCION</b></p>
<p>La podadora no funciona cuando el interruptor está activado.</p>	<ol style="list-style-type: none"> <li>1. Asegúrese de haber insertado la llave de seguridad y que esté bien asentada.</li> <li>2. Quite la llave de seguridad, voltee de cabeza la podadora y revise que la cuchilla esté libre para girar.</li> <li>3. ¿Se ha cargado completamente la batería? Conecte el cargador y espere a que aparezca la luz verde.</li> </ol>
<p>El motor se detiene durante el podado.</p>	<ol style="list-style-type: none"> <li>1. Quite la llave de seguridad, voltee de cabeza la podadora y revise que la cuchilla esté libre para girar.</li> <li>2. Eleve la altura de corte de las ruedas a la posición más alta y encienda la podadora.</li> <li>3. ¿Se ha cargado completamente la batería? Conecte el cargador y espere a que aparezca la luz verde.</li> <li>4. Se puede haber disparado el interruptor de circuito. El tiempo de restablecimiento puede ser hasta de 1 minuto. Baje la velocidad o eleve la altura de corte.</li> </ol>
<p>La podadora funciona pero no lo hace de manera satisfactoria, o no poda su prado por completo.</p>	<ol style="list-style-type: none"> <li>1. ¿Se ha cargado completamente la batería? Conecte el cargador y espere a que aparezca la luz verde.</li> <li>2. Quite la llave de seguridad . Gire la podadora de cabeza y revise: <ul style="list-style-type: none"> <li>*Que la cuchilla tenga filo</li> <li>*Que la cubierta y el canal de descarga no estén atascados</li> </ul> </li> <li>3. La altura de las ruedas puede estar muy baja para las condiciones del césped. Eleve la altura d corte.</li> </ol>
<p>Es muy difícil empujar la podadora.</p>	<ol style="list-style-type: none"> <li>1. Suba la altura de corte para reducir la fricción de la cubierta con el césped. Verifique que todas las ruedas giren libremente.</li> </ol>
<p>La podadora hace mucho ruido y vibra.</p>	<ol style="list-style-type: none"> <li>1. Quite la llave de seguridad. Coloque la podadora de lado y revise la cuchilla para asegurarse que no se ha dañado ni se ha doblado. Si la cuchilla se ha dañado, reemplácela con una cuchilla de repuesto Craftsman. Si la parte inferior de la cubierta se ha dañado envíe la podadora a un centro de servicio Sears.</li> <li>2. Si no hay daños visibles en la cuchilla y la podadora aún vibra, envíe la podadora a un centro de servicio Sears.</li> </ol>







**For in-home major brand repair service:**

Call 24 hours a day, 7 days a week

**1-800-4-MY-HOME<sup>SM</sup>** (1-800-469-4663)

**Para pedir servicio de reparación a domicilio – 1-800-676-5811**

In Canada for all your service and parts needs call – **1-800-665-4455**  
Au Canada pour tout le service ou les pièces

**For the repair or replacement parts you need:**

Call 7 am – 7 pm, 7 days a week

**1-800-366-PART** (1-800-366-7278)

**Para ordenar piezas con entrega a domicilio – 1-800-659-7084**

**For the location of a Sears Parts and Repair Center in your area:**

Call 24 hours a day, 7 days a week

**1-800-488-1222**

**For information on purchasing a Sears Maintenance Agreement  
or to Inquire about an existing Agreement:**

Call 9 am – 5 pm, Monday – Saturday

**1-800-827-6655**



The Service Side of Sears™