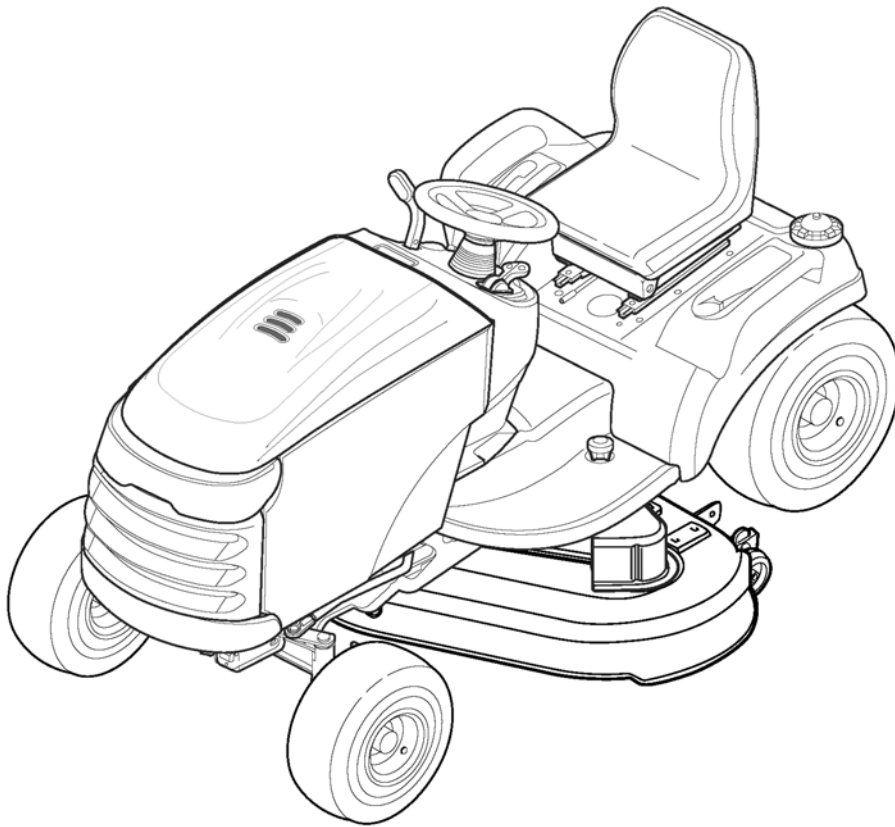


Parts Manual for

SNAPPER®

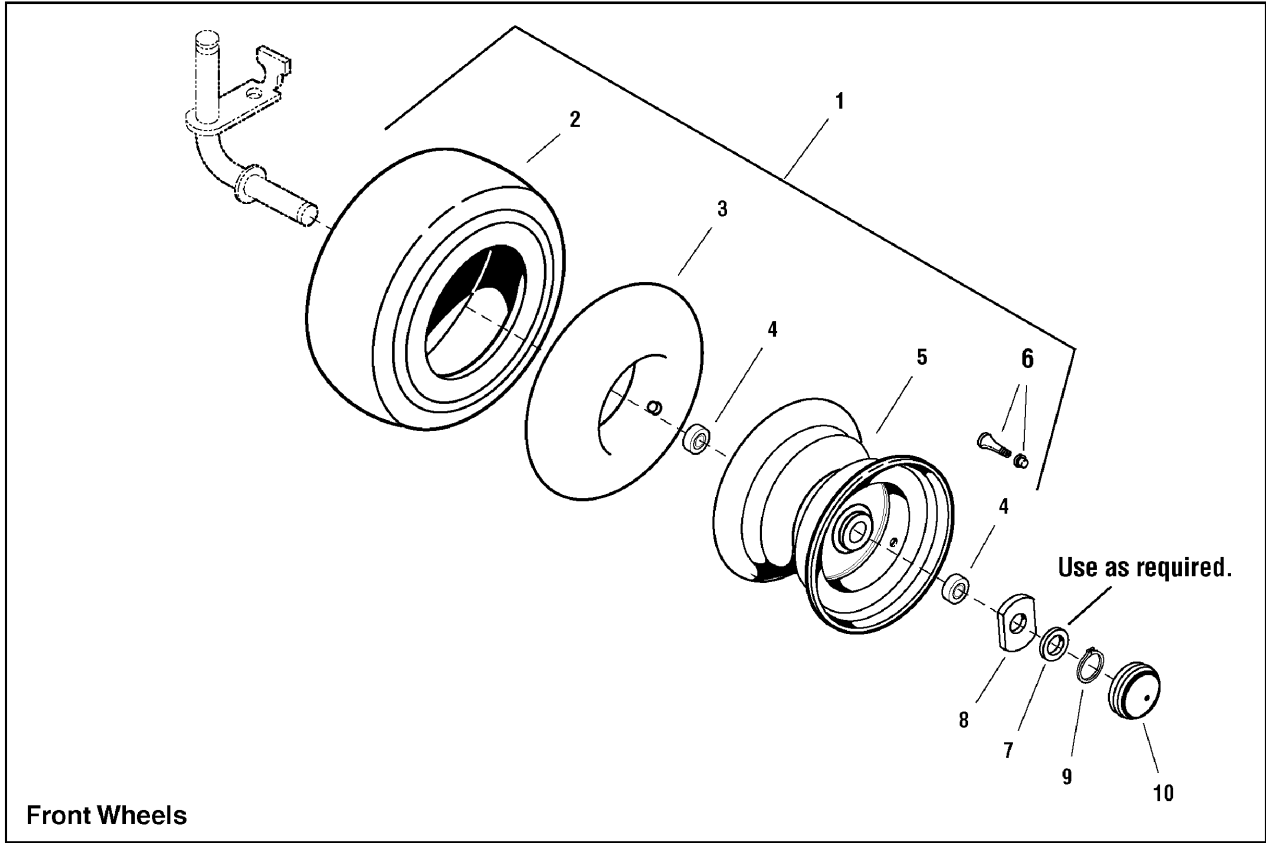
GARDEN TRACTOR ELECTRIC CLUTCH HYDRO DRIVE RMO SERIES 0

MODEL
GT23540 (1694621)
GT23540 (2690258)

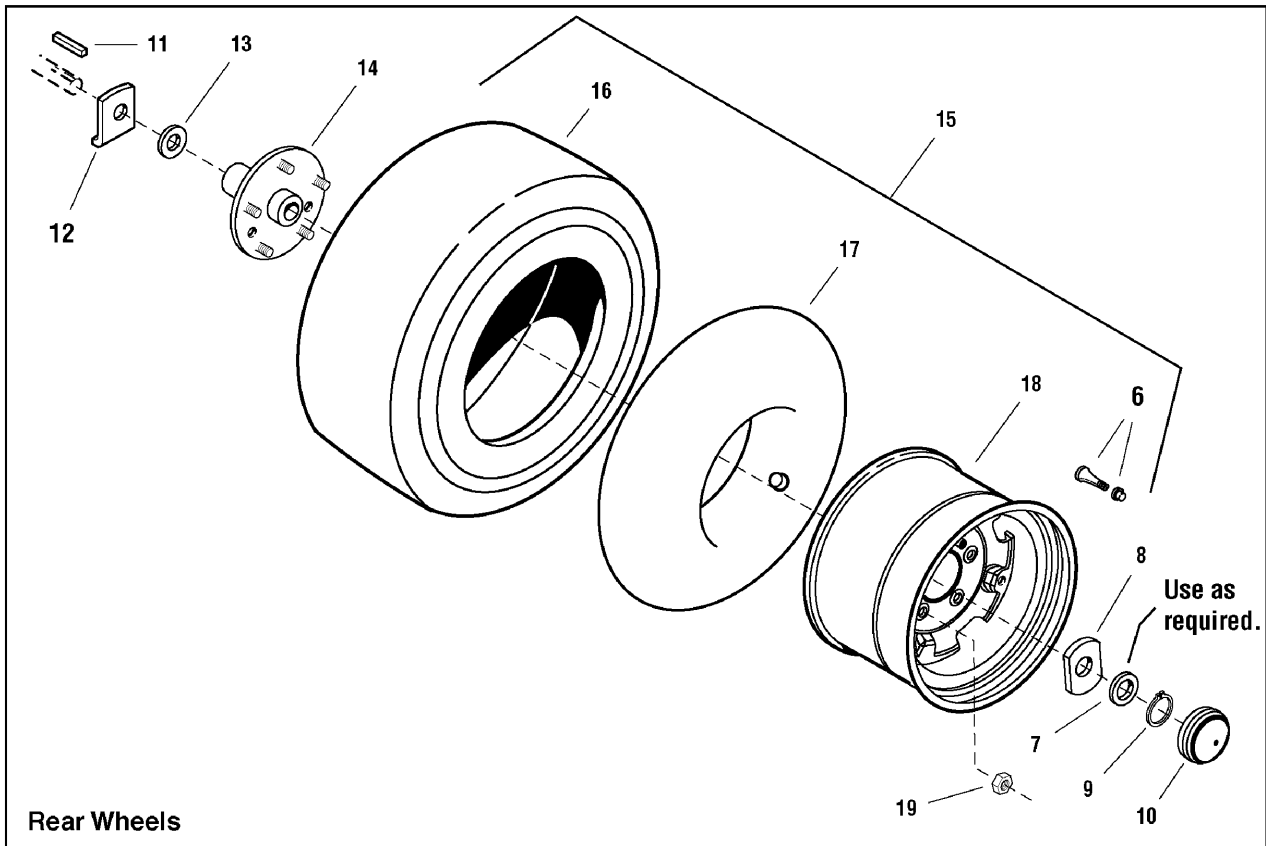


SNAPPER® McDonough, GA, 30253 U.S.A.

PAGE	GROUP
4	Wheels & Tires Group
6	Hood, Grille & Dash Group
8	Steering Group - Power Steering with Tilt
10	Frame Group - Manual Steering
14	Controls Group
18	Cruise Control Group
20	Transmission Group
24	Transmission SERVICE PARTS - Tuff Torq K-71E without Diff Lock
32	Seat & Seat Deck Group
34	Engine & Electric Clutch Group - 23HP Kohler
36	Lift Group - Hydraulic Lift with Power Steering
40	54" Mower Deck - Belt, Idler Arm & Hitch Group
42	54" Mower Deck - Height Adjustment & Roller Bar Group
46	54" Mower Deck - Housing, Arbors & Blades Group
50	Decals Group
52	Electrical Group



Front Wheels



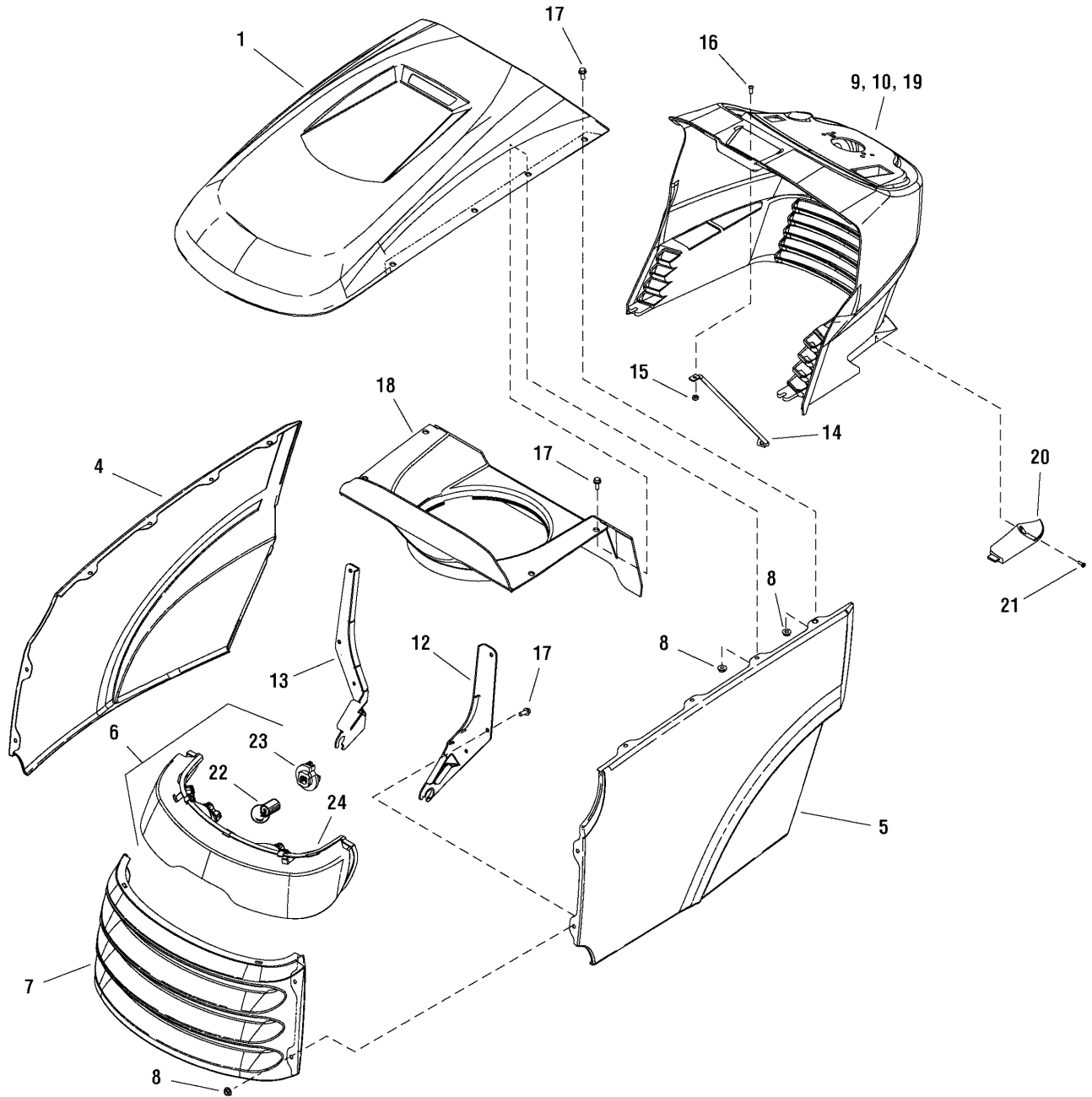
Rear Wheels

Wheels & Tires Group

Item	Part No	Qty	Description	Note
1	1722305	2	WHEEL & TIRE ASSEMBLY, Front (Includes Ref. 2, 3, 4, 5 & 6)	
2	1722833	1	TIRE, 16 x 6-1/2, 8 Super Turf, Front	
3	2164247	1	TUBE, Tire 16 x 6 1/2 - 8, Front	
4	1717056	2	BEARING, Ball	
5	1722834	1	WHEEL, 5-3/8 x 7-15/16, Front	
6	2172353	2	VALVE STEM & CAP ASSEMBLY, Air	
7	1919394	4	WASHER, 1	
8	1722726A	8	WASHER, Special, 1 x 2-1/2	
9	2932577	6	RING, Shaft	
10	1722676	4	CAP, Hub Grey	
11	2105337	2	KEY, HI PRO, 1/4 x 2	
12	1719172	2	WASHER, Axle Seal "L", 2-1/2 x 2-17/32	
13	2960200	4	WASHER, 1	
14	1721400	2	PLATE & HUB ASSEMBLY, Rear Wheel	
15	1726489	2	WHEEL & TIRE ASSEMBLY, Rear 24" (Includes Ref. 6, 16, 17 & 1)	
16	1727146	1	TIRE, 24 x 12 - 12 Super Turf, Rear	
17	2157638	1	TUBE, Tire 24 x 12 - 12, Rear	
18	1726490	1	WHEEL, 8-1/2 x 12, Rear	
19	2177725	10	NUT, Hex, 7/16-20, For Wheel Bolt	

Footnotes:

Hood, Grille & Dash Group

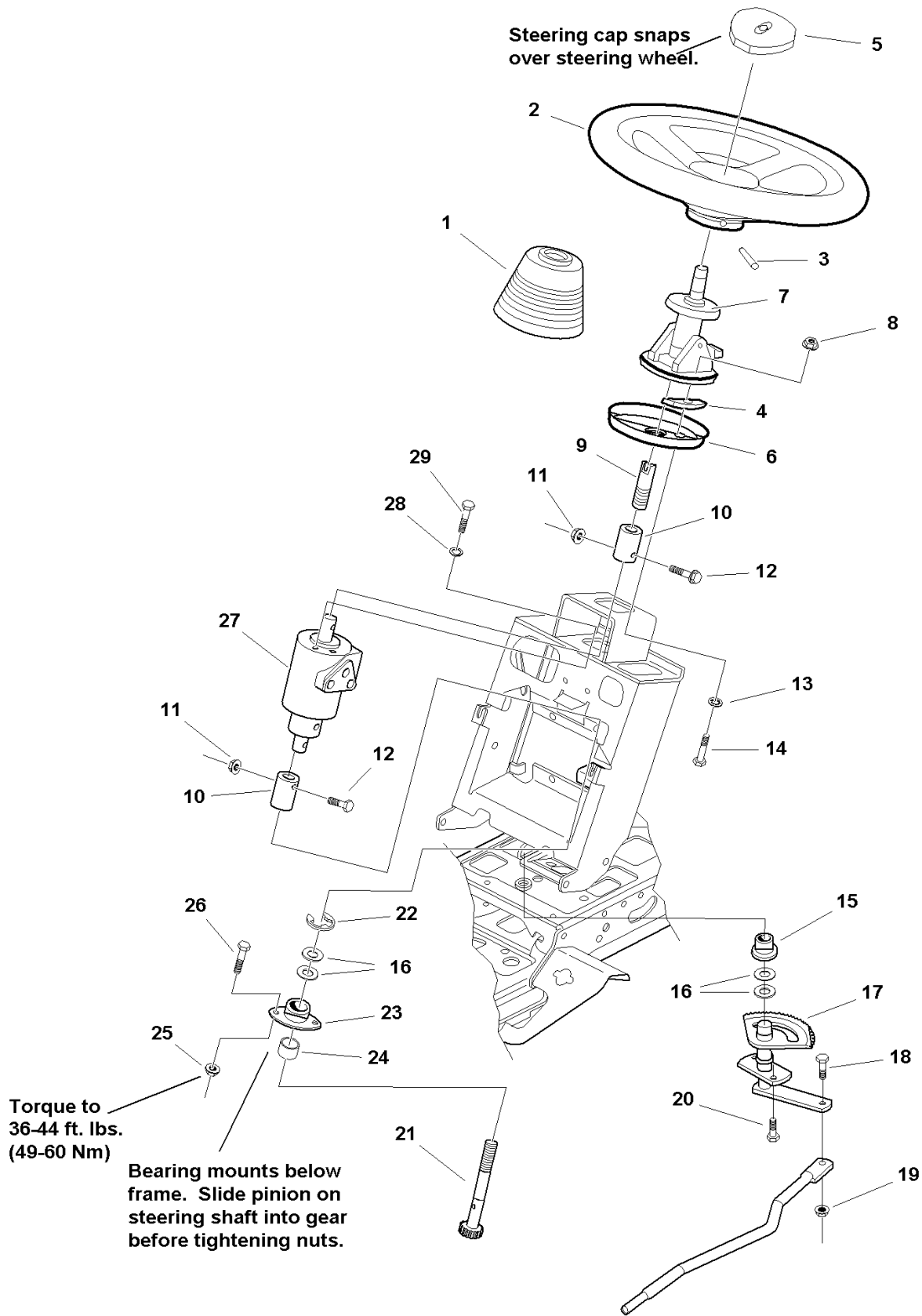


Hood, Grille & Dash Group

Item	Part No	Qty	Description	Note
1	1728031D	1	HOOD, W/Scoop	
4	1721804D	1	PANEL, R.H. Side	
5	1721803D	1	PANEL, L.H. Side	
6	1721810	1	HEADLIGHT ASSEMBLY	<i>(Includes Ref. Nos. 22, 23 & 24)</i>
7	1721802D	1	GRILLE	
8	1930641	12	NUT, Hex Flange 1/4-20 Whiz Lock	
9	1726827	1	DASHBOARD	<i>(Used only on YT & LT models)</i>
10	1726894	1	DASHBOARD, W/Hydraulic Lift Slot	<i>(Used only on GT models)</i>
12	1721808A	1	HINGE, Hood L.H.	
13	1721809A	1	HINGE, Hood R.H.	
14	1723123	1	ROD, Dash Support	
15	1933896	1	NUT, Hex Lock 10-24 w/Nylon Insert	
16	1960392	1	SCREW, Pan Head Phillips #10-24 x 1	
17	1960295	12	SCREW, Hex Whiz Lock Flange 1/4-20 x 5/8	
18	1733457A	1	DUCT, Air Inlet	
19	1726895	1	DASHBOARD, w/Buzzer Hole	<i>(Used only on Barons models)</i>
20	1722285	1	COVER, Dash	<i>(Used only on Barons models)</i>
21	1722607	1	SCREW, Pan Head Torx #8-16 x 1/2 Plastite	<i>(Used only on Barons models)</i>
22	1677371	4	BULB, Headlight	
23	1723451	4	SOCKET ASSEMBLY, Seal	
24	1722902	1	REFLECTOR, Headlight	

Footnotes:

Steering Group - Power Steering with Tilt

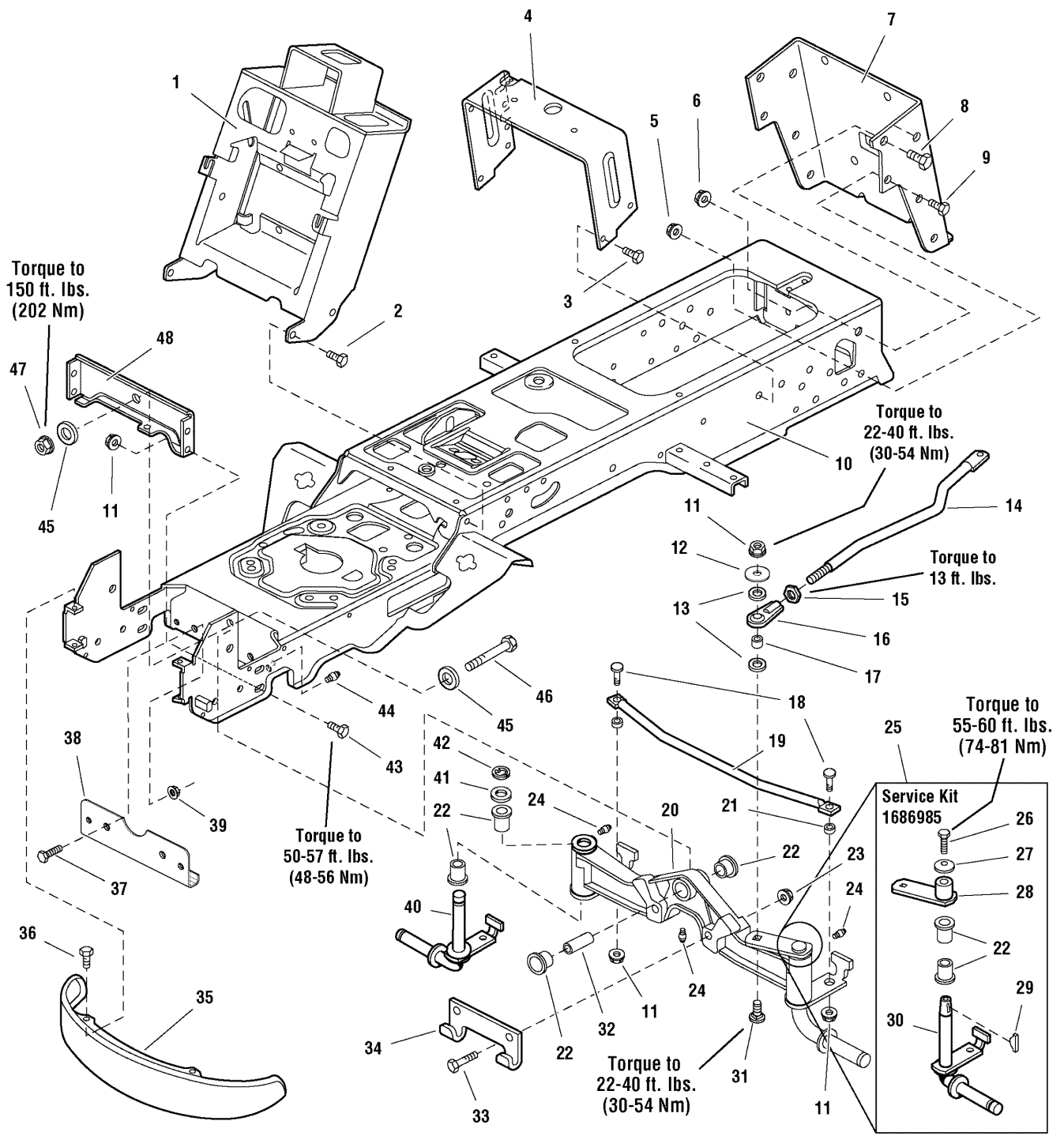


Steering Group - Power Steering with Tilt

Item	Part No	Qty	Description	Note
1	1724368	1	BOOT, Tilt Steering Unit	
2	1722318	1	STEERING WHEEL, Straight Shaft	
3	1960540	1	ROLL PIN	
4	1723898A	2	SPACER	
5	1725024	1	CAP, Steering Wheel, Plain	
6	1721736A	1	MOUNTING PLATE	
7	1724161	1	TILT STEERING UNIT	<i>Applies to Serial Number Units 1999 & Below.</i>
8	1726026	1	TILT STEERING UNIT	<i>Applies to Serial Number Units 2000 & Above.</i>
8	2928372	4	NUT, Hex KEPS, 1/4-20	
9	1722923	1	ADAPTER, 2-13/16 Long	
10	1721677	2	COUPLER, 2-3/8 Long	
11	1919438	2	NUT, Hex Lock, ESNA Light, 5/16-18	
12	1922127	2	CAPSCREW, Hex Head 5/16-18 x 1-3/4	
13	1960518	4	NUT, Push	
14	1931320	4	CARRIAGE BOLT, 1/4-20 x 1-1/4	
15	2176440	1	BUSHING, Nylon	
16	1960114	5	WASHER, 3/4	
17	1722385	1	GEAR &, Shaft ASSEMBLY, Steering	
18	1960032	1	CAPSCREW, Hex Head, 3/8-16 x 1-1/4	
19	1930645	1	NUT, Hex Flange Two-Way Lock, 3/8-16	
20	1664847	2	CAPSCREW, Hex Washer Head Taptite, 5/16-18 x 3/4	
21	1721628	1	SHAFT & PINION ASSEMBLY, Steering Power with Tilt	
22	1611710	1	RING, Clipping Extension	
23	1722459	1	BEARING, 3/4 x 1-11/16	
24	1722461	1	SPACER, 3/8" Long	
25	1931211	2	NUT, Hex Flange Whiz Lock, 3/8-16, Small	
26	1931348	2	CARRIAGE BOLT, 3/8-16 x 3/4	
27	1718832	1	GENERATOR, Torque, Power Steering Unit	
28	1917356	3	LOCKWASHER, Spring, 5/16	
29	1921332	3	CAPSCREW, Hex Head, 5/16-18 x 3/4	

Footnotes:

Frame Group - Manual Steering

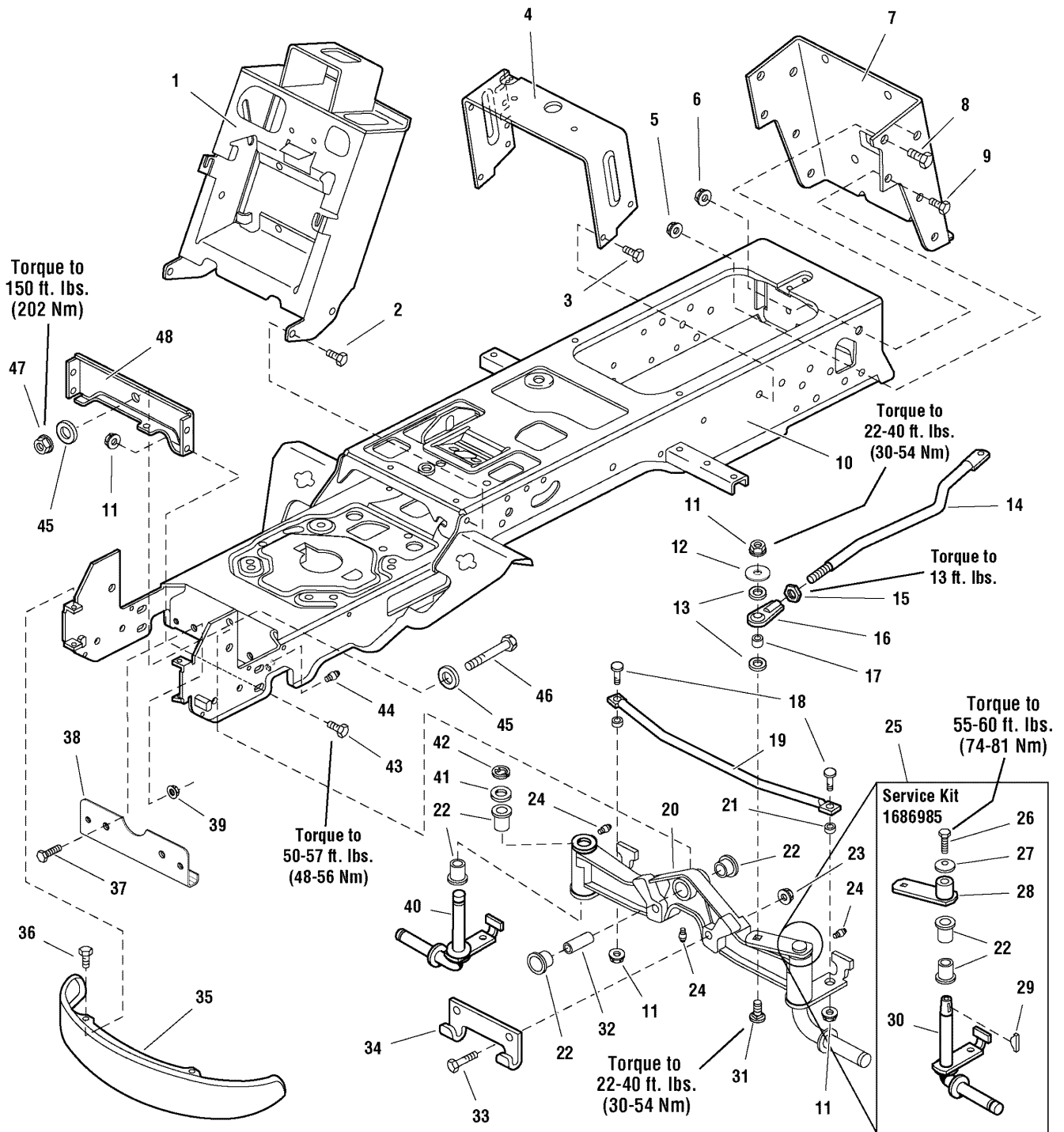


Frame Group - Manual Steering

Item	Part No	Qty	Description	Note
1	1724081A	1	TOWER & SUPPORT ASSEMBLY	
2	1923683	4	CAPSCREW, Hex Washer Head Taptite, 3/8-16 x 3/4	
3	1960541	4	CAPSCREW, Hex Washer Head Taptite, 5/16-18 x 3/4	
4	1723528A	1	SUPPORT, Seat Deck	
5	1928352	2	NUT, Hex Flange 3/8-16 Whiz Lock, Large	
6	1930644	2	NUT, Hex Flange Two-Way Lock, 1/2-13	
7	1722602A	1	BACKPLATE	
8	1923114	2	CAPSCREW, Hex Head 1/2-13 x 1, Black	
9	1921210	2	CAPSCREW, Hex Head 3/8-16 x 1, Black	
10	1726989A	1	FRAME ASSEMBLY, Front & Rear	
11	1930645	7	NUT, Hex Flange Two-Way Lock, 3/8-16	
12	1922755	1	WASHER, 3/8, Black	
13	1960103	2	WASHER, 3/8, Black	
14	1722541	1	LINK, Drag	
15	1919262	1	NUT, Hex Jam 1/2-20	
16	1702779A	1	JOINT, Ball	
17	1708236	1	SPACER, 3/8 x 1/2 x 5/8	
18	1931350	2	CARRIAGE BOLT, 3/8-16 x 1	
19	1722626A	1	ROD, Tie	
20	1722200A	1	AXLE ASSEMBLY w/LH Spindle	(Includes Ref. Nos. 22, 24, 41)
21	1611705	2	SPACER, 25/64 x 5/8 x 5/16, Powder Metal	
22	1721682	6	BUSHING, 31/32 x 1-1/4 x 3/4, Powder Metal	
23	1930650	2	NUT, Hex Flange Two-Way Lock, 7/16-14	
24	1704314	3	FITTING, Lube	
25	1686985	1	SPINDLE REPLACEMENT KIT, LH	(Includes Ref. Nos. 22, 26, 27)
26	2823485	1	CAPSCREW, 3/8-16 x 7/8, GR8	
27	1663151	1	WASHER, Spring, 3/8	
28	1725112	1	HUB & ARM ASSEMBLY	
29	2830671	1	KEY, Woodruff	
30	1724264	1	SPINDLE, LH	
31	1931352	1	CARRIAGE BOLT, 3/8-16 x 1-1/2	
32	1721752	1	SPACER, 11/16 x 21/32 x 2 3/32	
33	1927531	2	CAPSCREW, Hex Head, 7/16-14 x 2 G8	
34	1721918A	1	HOOK, "J"	
35	1721805A	1	BUMPER, Black	
35	1723502	1	BUMPER, Chrome	
36	1960086	4	SCREW, Truss Head Torque Drive, 5/16-18 x 7/8	

Footnotes:

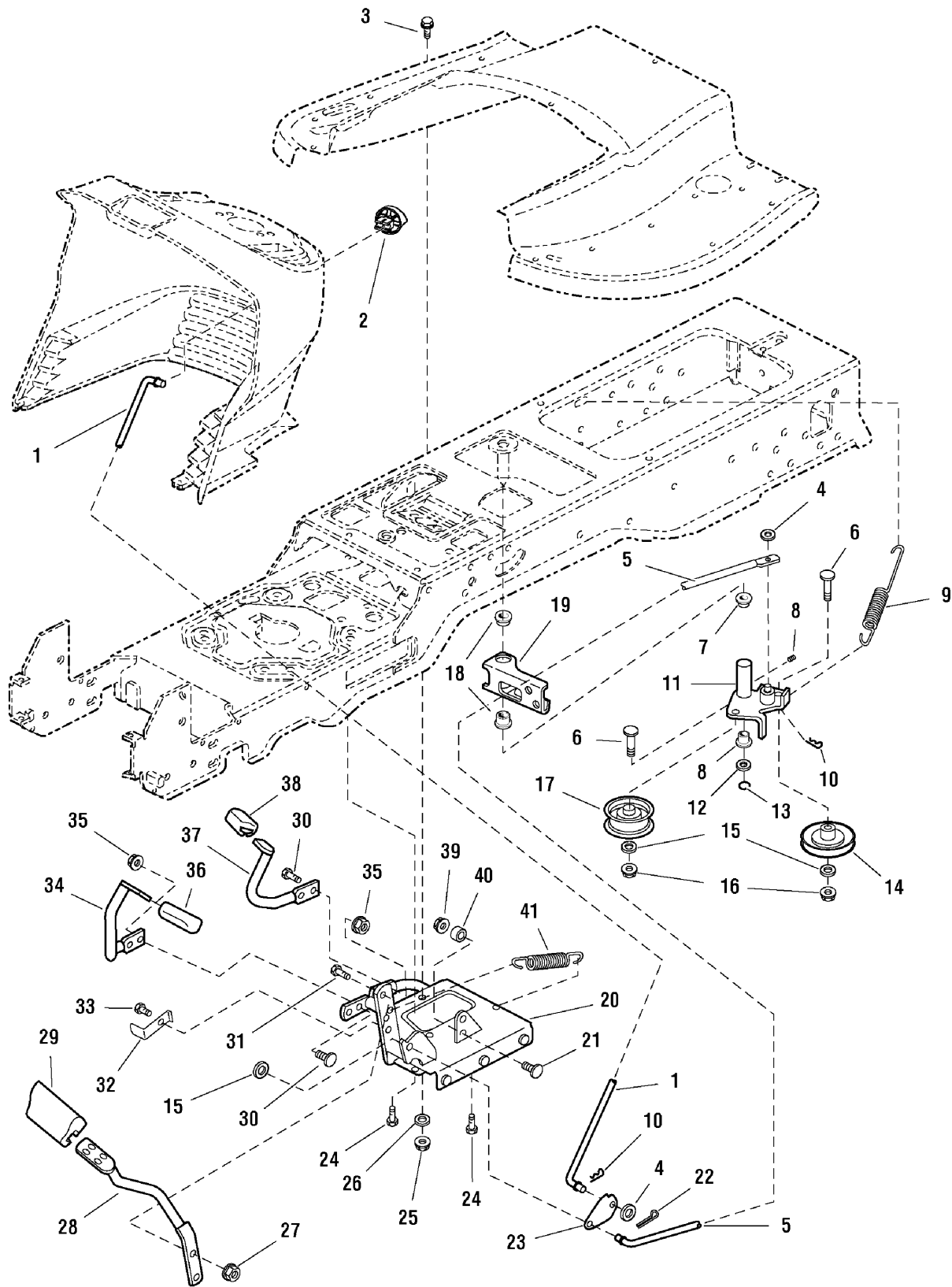
Frame Group - Manual Steering



Frame Group - Manual Steering

Item	Part No	Qty	Description	Note
37	1930591	2	CAPSCREW, Hex Whiz Lock, 5/16-18 x 3/4	
38	1724801A	1	PLATE, Axle Wear	
39	1931277	2	NUT, Hex Flange Whix Lick, 5/16-18	
40	1722199	1	SPINDLE, RH	
41	1919394	1	WASHER	
42	2932577	1	RETAINING RING	
43	1933260	4	CAPSCREW, Hex Flange Whiz Lock, 3/8-16 x 3/4	
44	2921133	2	FITTING, Grease for Wear Plate	
45	1960035	2	WASHER, 5/8	
46	2960645	1	CAPSCREW, Hex Head, 5/8-11 x 3-1/2	
47	2960646	1	NUT, Hex Flange Two-Way Lock, 5/8-11	
48	1722212A	1	PLATE, Axle	

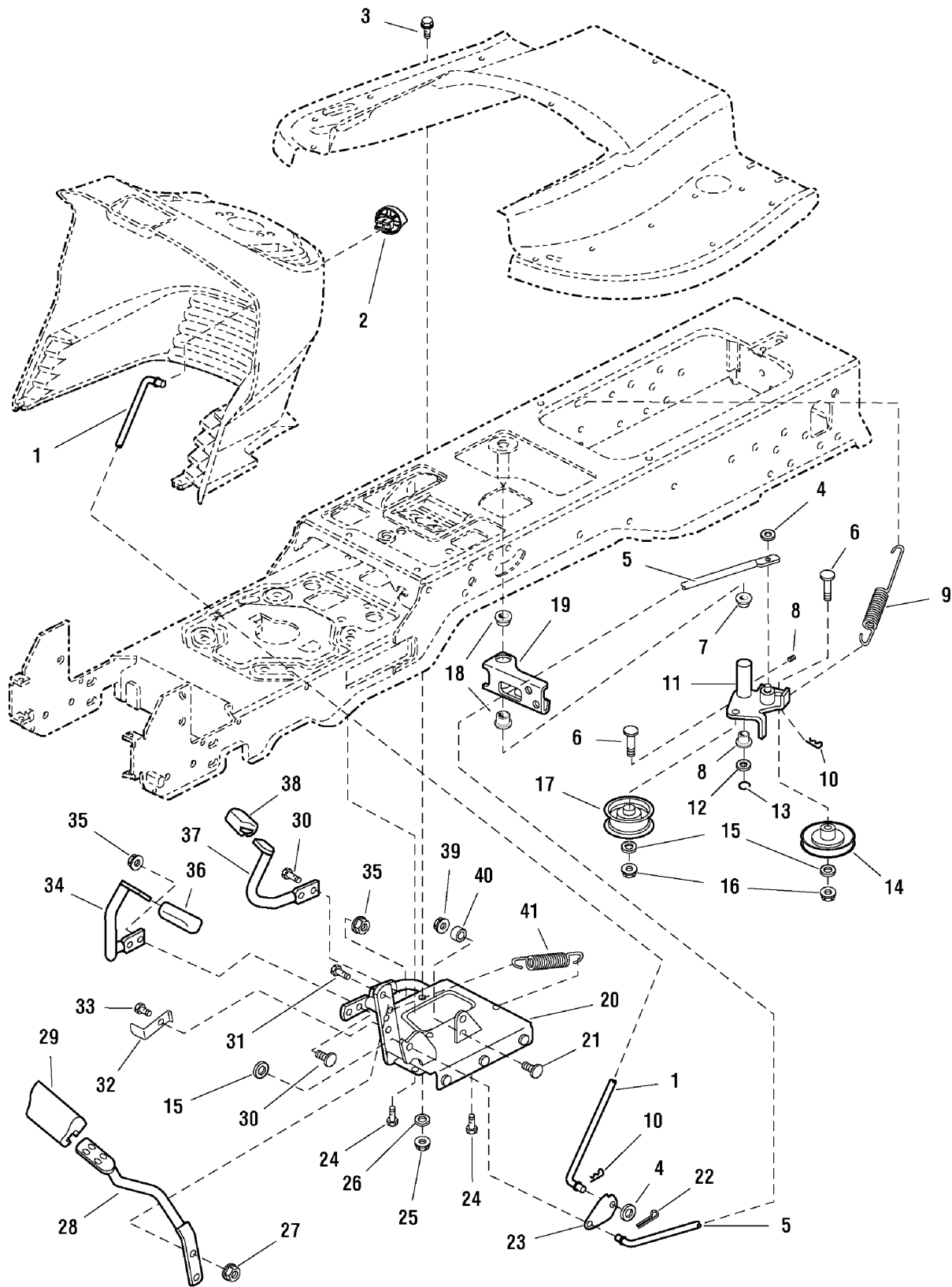
Footnotes:



Controls Group

Item	Part No	Qty	Description	Note
1	1721353	1	ROD, Brake Lock	
2	1721891	1	KNOB, Push On, Red Plastic "P"	
3	1930591	1	CAPSCREW, Hex Flange Whiz Lock, 5/16-18 x 3/4	
4	1919326	2	WASHER, 5/16, Black	
5	1721476	1	ROD, Brake	
6	1931353	2	CARRIAGE BOLT, 3/8-16 x 1 3/4	
7	1663114	2	BUSHING, 5/8 x 3/4 x 3/4, Nylon	
8	2921133	1	FITTING, Lube, 1/4	
9	1725250	1	SPRING, Extension	
10	1722460	3	PIN, Quick	
11	1724917	1	ARM & HUB ASSEMBLY, Idler	
12	1960020	1	WASHER, 5/8	
13	1704420	1	RING, Clipping Extension	
14	1721134	1	PULLEY, w/Bearing	
15	1924940	3	WASHER, 3/8	
16	1919439	2	NUT, Hex Lock ESNA Light, 3/8-16	
17	1721133	1	PULLEY, Idler	
18	1723237	2	BUSHING, 1 x 1-1/8 x 5/8, Nylon	
19	1722513	1	ARM, Brake	
20	1726763	1	PEDAL ASSEMBLY, Foot	
21	1931320	1	CARRIAGE BOLT, 1/4-20 x 1-1/4	
22	1918447	1	PIN, Cotter, Black	
23	1721354A	1	LATCH, Brake	
24	1664847	3	CAPSCREW, Hex Washer Head Taptite, 5/16-18 x 3/4	
25	1919438	1	NUT, Hex Lock ESNA Light, 5/16-18	
26	1919381	1	WASHER, 5/16, Black	
27	1927557	2	NUT, Hex Flange Whiz Lock Large, 5/16-18	
28	1722535A	1	PEDAL, Brake	
29	1721577	1	PAD, Brake Pedal	
30	1931334	4	CARRIAGE BOLT, 5/16-18 x 7/8	
31	1921333	2	CAPSCREW, 5/16-18 x 1	
32	1722083A	1	ACTUATOR, Switch 2.53" Long	
33	1923683	1	CAPSCREW, Hex Washer Head Taptite, 3/8-16 x 3/4	
34	1722070A	1	PEDAL, Forward	
35	1960636	4	NUT, Hex KEPS, 5/16-18	
36	1721675	1	PAD, Foot Pedal Forward	
37	1722071A	1	PEDAL, Reverse	

Footnotes:

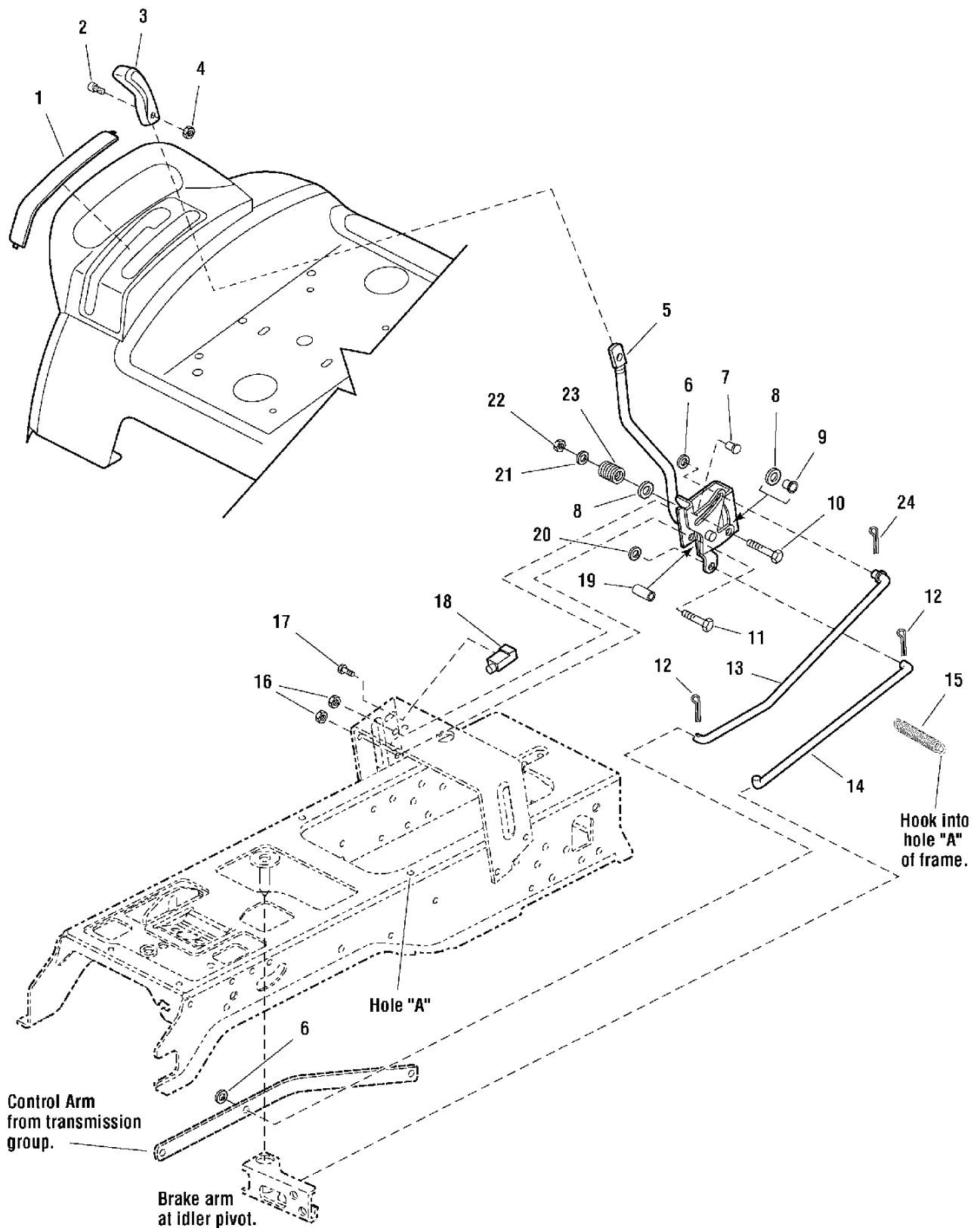


Controls Group

Item	Part No	Qty	Description	Note
38	1721674	1	PAD, Foot Pedal Reverse	
39	1920397	1	NUT, Hex Lock ESNA Light, 1/4-20	
40	1686612	1	CAM, Roller	
41	1721995	1	SPRING, Extension	

Footnotes:

Cruise Control Group

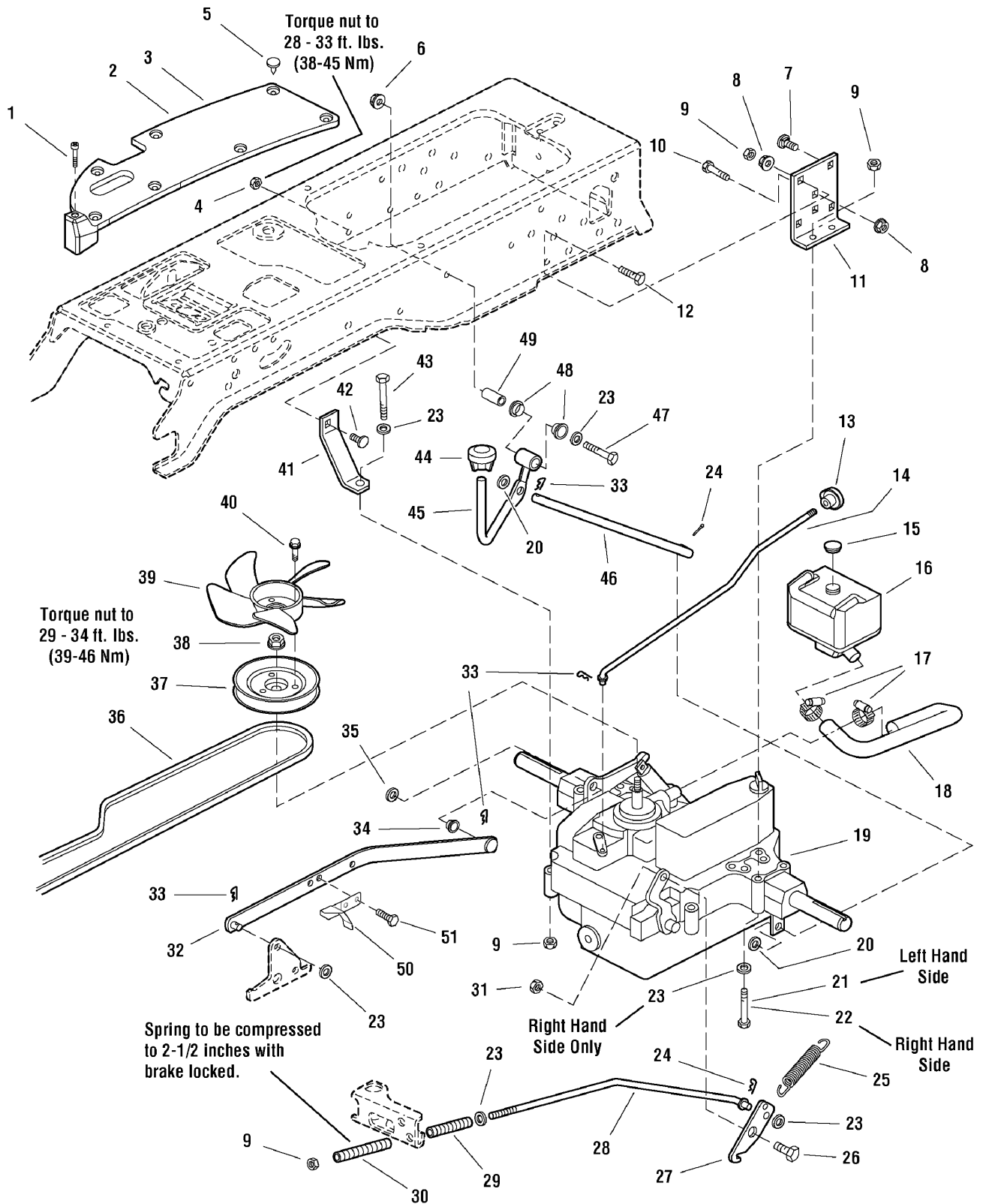


Cruise Control Group

Item	Part No	Qty	Description	Note
1	1722314	1	COVER, w/Cruise Icon	
2	1960666	1	SCREW, Torque Head Plus Socket Head, 1/4-20 x 7/8	
3	1722303	1	KNOB, Cruise	
4	1920397	1	NUT, Hex Lock ESNA Light, 1/4-20	
5	1722003	1	LEVER & BRACKET ASSEMBLY, Cruise	
6	1960103	2	WASHER, 3/8, Black	
7	1931333	1	CARRIAGE BOLT, 5/16-18 x 3/4	
8	1924361	2	WASHER, 1/2	
9	1709043	1	SPACER, w/Flange, 11/32 x 15/32 x 3/4	
10	1931342	1	CARRIAGE BOLT, 5/16-18 x 2-3/4	
11	1960273	1	CARRIAGE BOLT, 5/16-18 x 2-1/4	
12	1722460	2	PIN, Quick	
13	1722117	1	ROD, Cruise	
14	1722481	1	ROD, Return	
15	2159106	1	SPRING, Cruise Return to Frame	
16	1960636	2	NUT, Hex KEPS, 5/16-18	
17	1960001	2	CAPSCREW, Hex Washer Head Plastite, 10-14 x 5/8	
18	1717050	1	SWITCH, Push, Neutral Start, Gray	
19	1722080	1	SPACER, 11/32 x 5/8 x 1-13/32	
20	1919326	1	WASHER, 5/16, Black	
21	1919381	1	WASHER, 5/16, Black	
22	1919438	1	NUT, Hex Lock ESNA Light, 5/16-18	
23	1677746	1	SPRING, Compression	
24	1918447	1	PIN, Cotter	

Footnotes:

Transmission Group

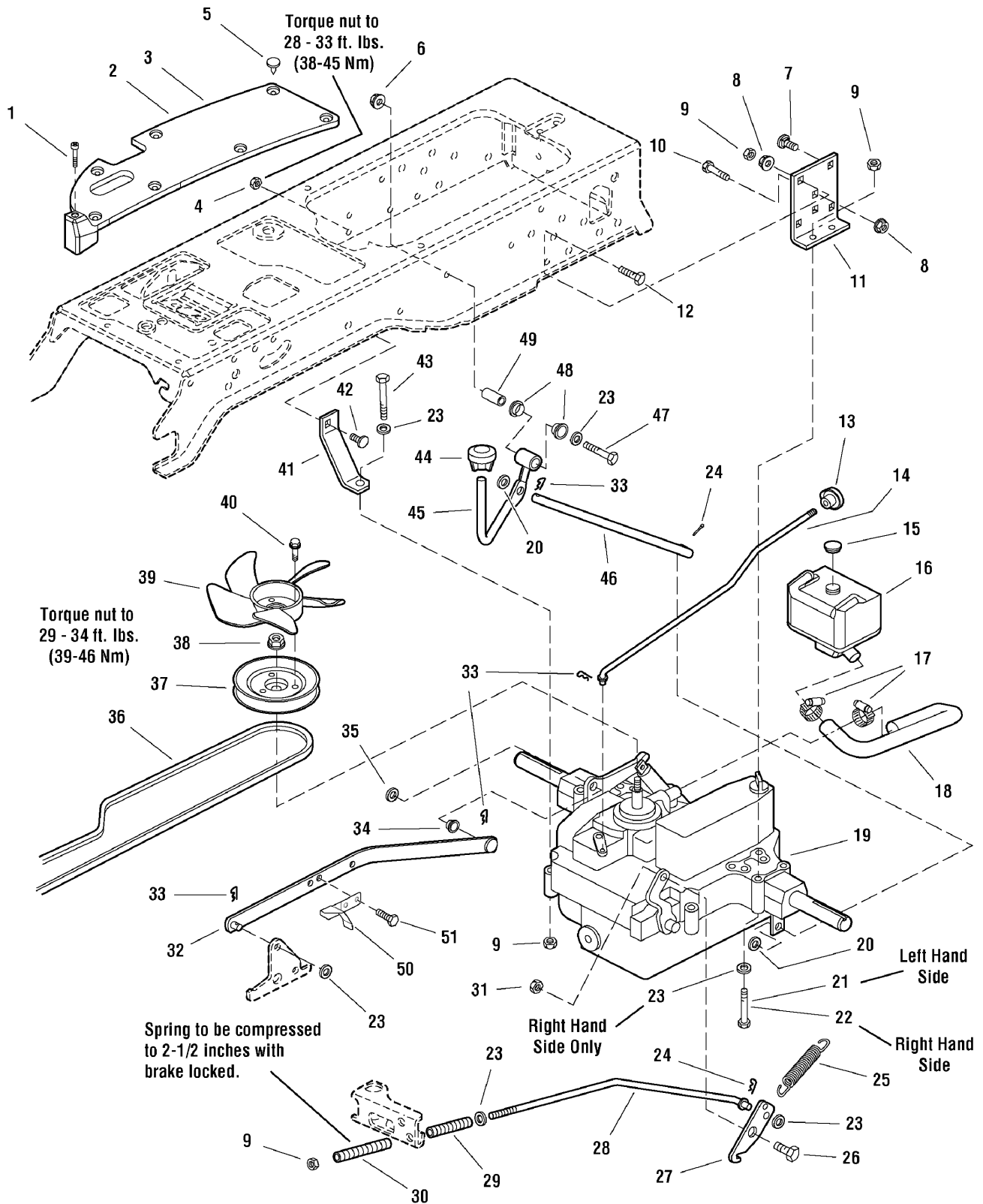


Transmission Group

Item	Part No	Qty	Description	Note
1	1960676	2	SCREW, Pan Head Trox Taptite, 1/4-20 x 1-1/4	
2	1722173	1	PAD, Footrest, RH	
3	1722174	1	PAD, Footrest, LH, Differential Lock	
4	1960636	1	NUT, Hex KEPS, 5/16-18	
5	1704351	15	FASTENER, 3/4 Long Stem Plastic	
6	1928352	1	NUT, Hex Flange Whiz Lock, 3/8-16, Large	
7	1931350	4	CARRIAGE BOLT, 3/8-16 x 1	
8	1960637	6	NUT, Hex KEPS, 3/8-16	
9	1960687	7	NUT, Hex Flange ESNA, 3/8-16	
10	1960136	1	CAPSCREW, Hex Head, 3/8-16 x 1	
11	1721728A	2	SUPPORT	
12	1921969	1	CAPSCREW, Hex Head 3/8-16 x 1-1/2	
13	1723126	1	KNOB, Internal Thread 1/4-20	
14	1721622	1	ROD, Free Wheel, 18-3/16 Long	
15	1722711	1	CAP, Expansion Tank Plastic	
16	1722430	1	TANK, Oil Natural	
17	1723214	2	CLAMP, Hose Worm Drive # 20 1 3/4"	
18	1722468	1	HOSE, Expansion Tank Formed	
19	1721404	1	TRANSMISSION ASSEMBLY, K71E	
20	1918267	2	WASHER, 7/16	
21	1922918	2	CAPSCREW, LH, Hex Head, 3/8-16 x 3-1/4	
22	1960653	2	CAPSCREW, RH, Hex Head, 3/8-16 x 3-3/4	
23	1924940	9	WASHER, 3/8	
24	1918447	2	PIN, Cotter, 3/32 x 3/4	
25	2159106	1	SPRING, Extension	
26	1923114	1	CAPSCREW, Hex Head, 1/2-13 x 1	
27	1721474A	1	ARM, Brake	
28	1721470	1	ROD, Brake	
29	1722684	1	SPRING	
30	1729277	1	SPRING	
31	1960379	1	NUT, Hex Lock ESNA Light, 1/2-13, Thin	
32	1726753	1	ARM & WELD, PINS ASSEMBLY, Control K71	
33	1722460	5	PIN, Quick	
34	1722648	1	BEARING, 1/2 x 9/16 x 11/32, Nylon	
35	1960027	1	WASHER, 1/2	
36	1721393	1	V-BELT	
37	1722194	1	PULLEY & HUB ASSEMBLY, Transmission	

Footnotes:

Transmission Group

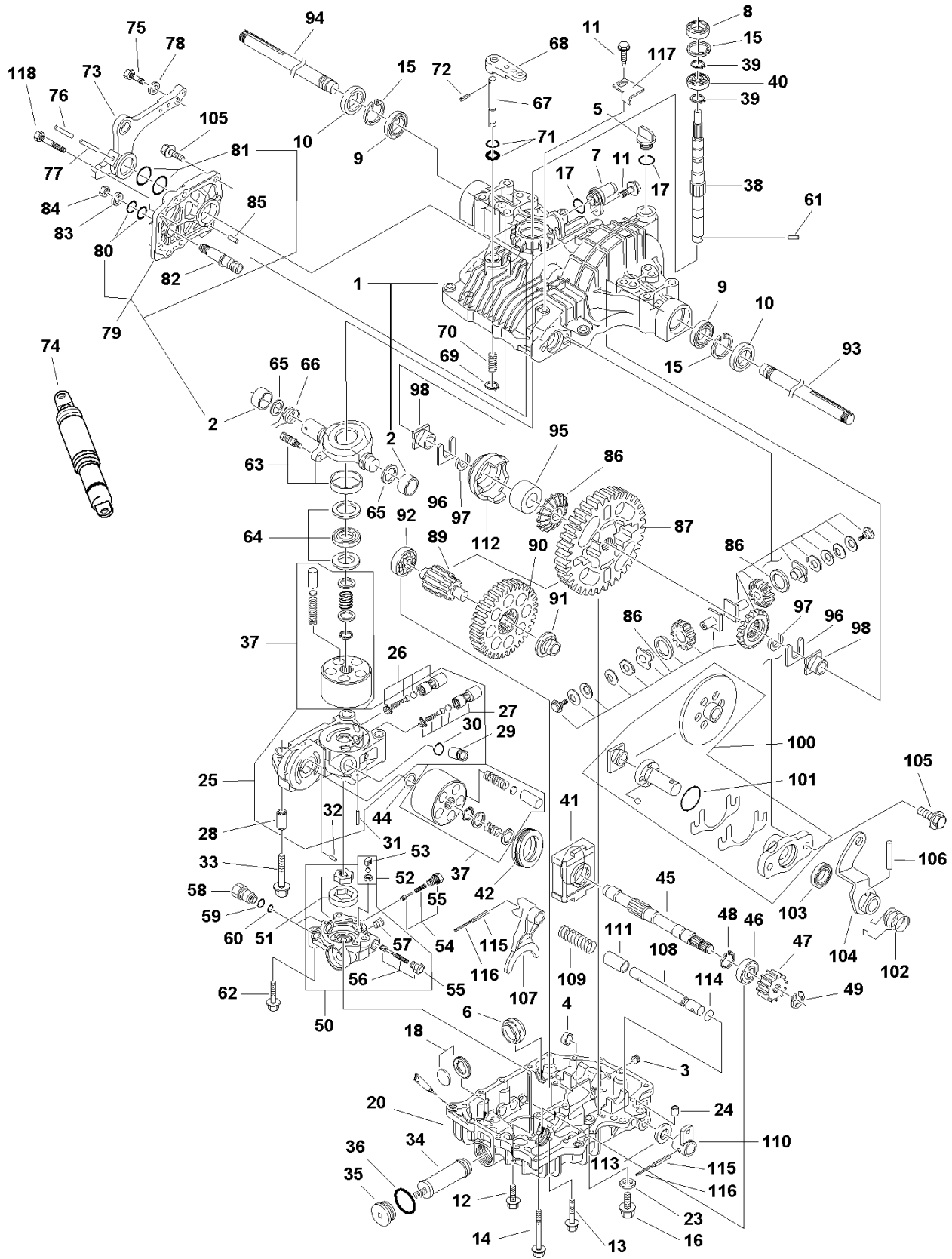


Transmission Group

Item	Part No	Qty	Description	Note
38	1722517	1	NUT, Hex Flange, M12-1.75, Nylon Insert	
39	1719233	1	FAN, 5 Blades, Nylon, 3-Holes	
40	1933958	3	CAPSCREW, Hex Washer Head Taptite, 1/4-20 x 1-1/8	
41	1721412A	1	BRACKET, Transmission	
42	1931335	1	CARRIAGE BOLT, 5/16-18 x 1	
43	1921973	1	CAPSCREW, Hex Head, 3/8-16 x 2-3/4	
44	1716289	1	KNOB, 1 Top	
45	1721360	1	ROD & TUBE ASSEMBLY, Differential Lock, Pedal	
46	1721367	1	ROD, Differential Lock, K71	
47	1922130	1	CAPSCREW, Hex Head 3/8-16 x 2-1/4	
48	1676148	2	BUSHING, 5/8 x 3/4 x 13/32, Powder Metal	
49	1669105AA	1	SPACER, 1 1/2" Long Hardened	
50	1727215A	1	ACTUATOR, Switch	
51	1924856	2	CAPSCREW, Hex Head Taptite, 5/16-18 x 1/2	

Footnotes:

Transmission SERVICE PARTS - Tuff Torq K-71E without Diff Lock

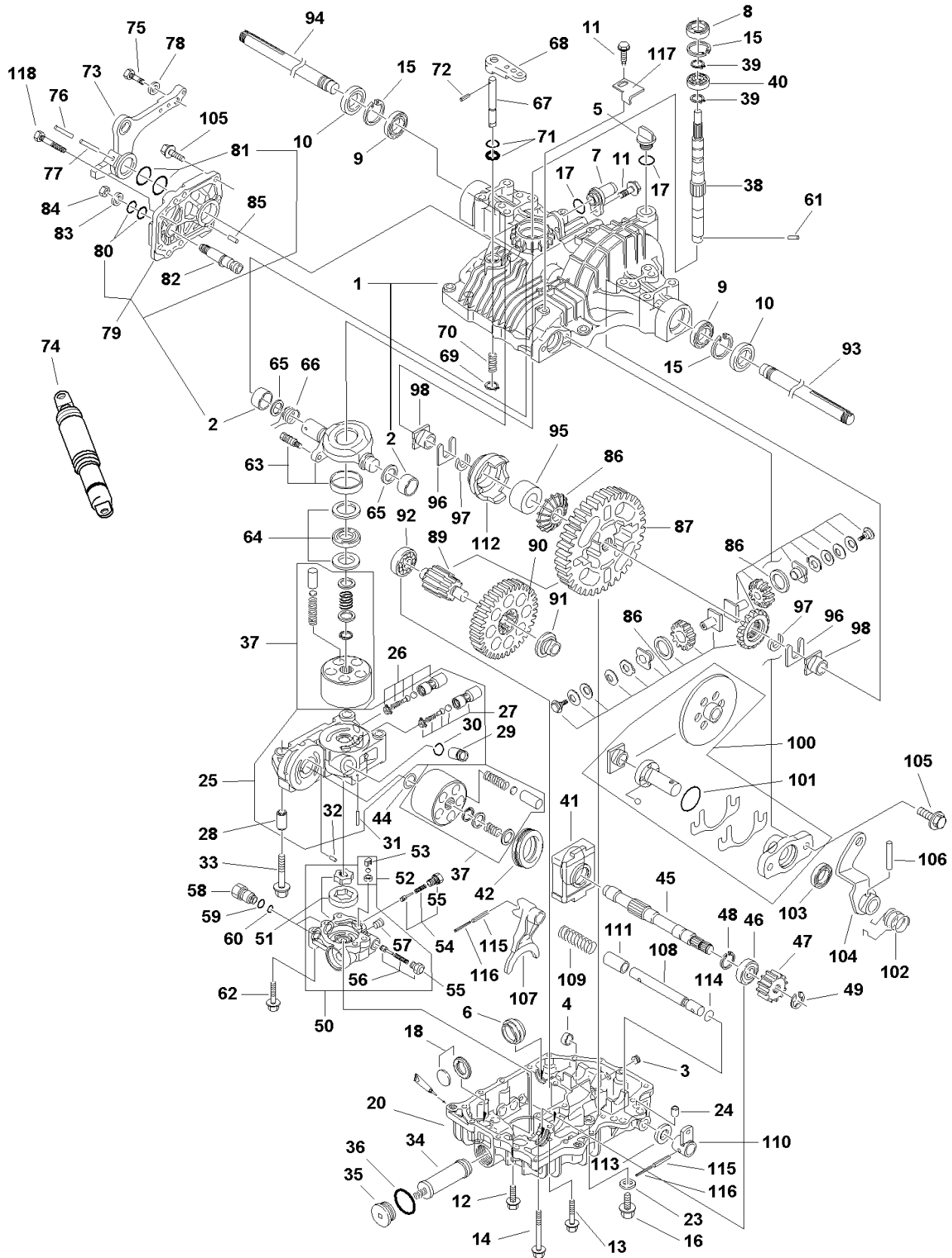


Transmission SERVICE PARTS - Tuff Torq K-71E without Diff Lock

Item	Part No	Qty	Description	Note
1	1723764	1	UPPER HOUSING COMPLETE	
2	1720757	2	BEARING, 28 x 15	
3	1720758	1	TAPER PLUG, 1/8	
4	1720759	1	BORE PLUG, 17	
5	1720760	1	CAP, Oil, 20	
6	1720761	1	FILTER	
7	1720762	1	FITTING	
8	1720782	1	SEAL	
9	1720783	2	BEARING	
10	1720784	2	SEAL	
11	1720785	2	SCREW, Tapping, 8 x 25	
12	1707789	18	SCREW, Tapping, 8 x 30	
13	1720786	1	SCREW, Tapping, 8 x 45	
14	1718226	2	BOLT, 8 x 75	
15	1720787	3	RING, 47	
16	1720788	2	BOLT, 10 x 12	
17	1707786	2	PACKING, P18	
18	1718065	1	MAGNET COMPLETE	
20	1723765	1	LOWER HOUSING COMPLETE	
23	1720796	1	WASHER, Seal 10	
24	1720797	2	PIPE, 13 x 11.3	
25	1720798	1	CENTER CASE COMPLETE	
26	1720799	1	VALVE, (A-1 SET)	
27	1720800	2	VALVE, (A-2 SET)	
28	1720801	2	KNOCK PIN, 15.5 x 30	
29	1720802	1	PLUG, 16 x 25	
30	1720803	1	PACKING	
31	1720804	2	PIN, 8 x 14	
32	1718070	1	PIN, 3 x 9.8	
33	1720805	3	BOLT, 10 x 75	
34	1720806	1	FILTER	
35	1720807	1	CAP, (M40)	
36	1720808	1	PACKING	
37	1720809	2	CYLINDER BLOCK COMPLETE	
38	1723782	1	PUMP SHAFT	
39	1720811	2	RING, 17	

Footnotes:

Transmission SERVICE PARTS - Tuff Torq K-71E without Diff Lock

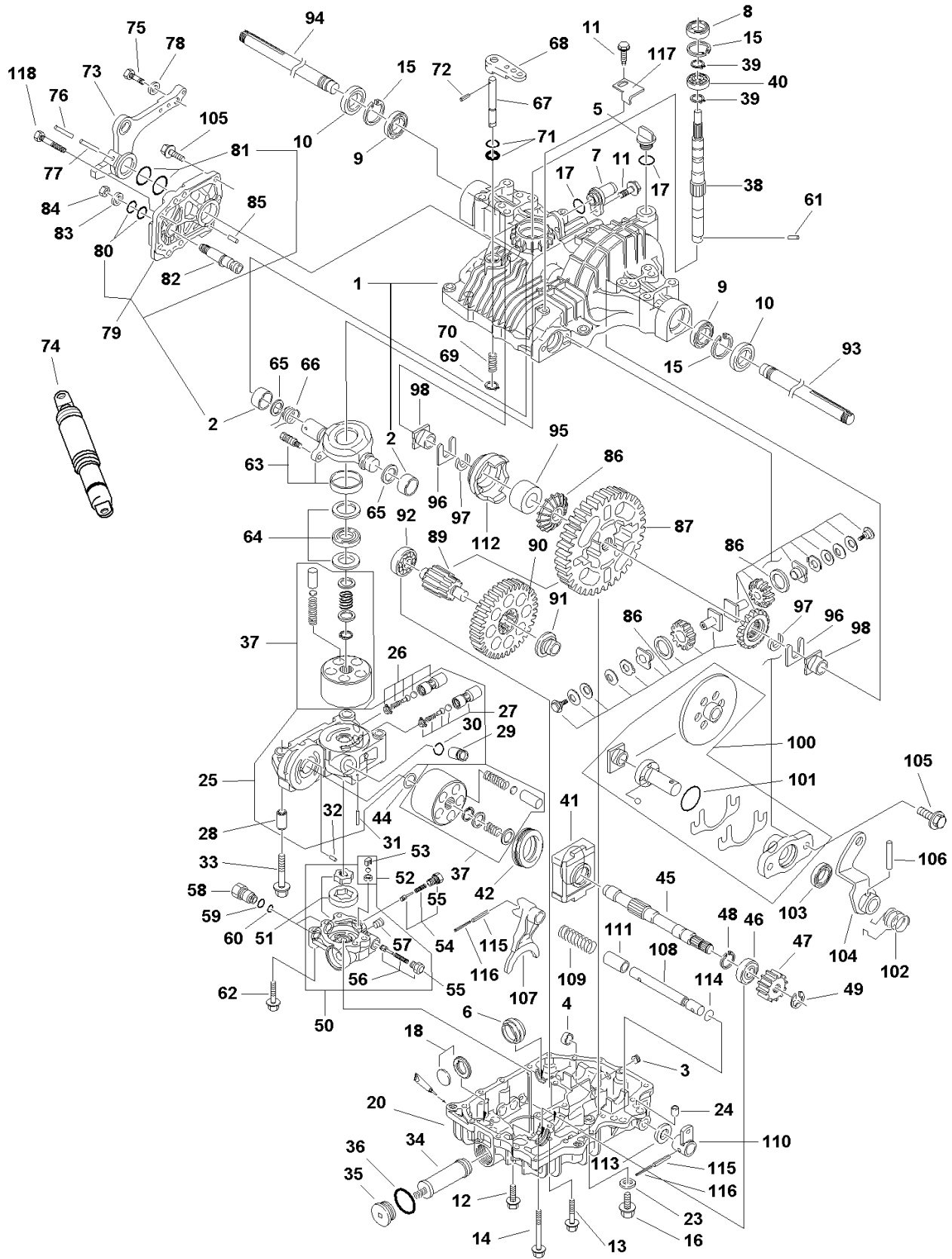


Transmission SERVICE PARTS - Tuff Torq K-71E without Diff Lock

Item	Part No	Qty	Description	Note
40	1720812	1	BEARING, 6303	
41	1720813	1	HOUSING	
42	1720814	1	BEARING, 51207	
44	1720817	1	WASHER, 18 x 31 x 1	
45	1720818	1	SHAFT MOTOR	
46	1720819	1	BEARING 6004 SH2 U	
47	1720820	1	MOTOR GEAR	
48	1720821	1	SNAP RING, 20	
49	1718076	1	RING, E15	
50	1720822	1	PUMP CASE S/A	
51	1720823	1	PUMP CASE COMPLETE	
52	1720824	1	3RD CHECK COMPLETE	
53	1720825	1	HOLDER, (SEAT)	
54	1720826	1	VALVE, (IMP COMPLETE)	
55	1720827	2	PLUG	
56	1720828	1	VALVE, (CHARGE COMPLETE)	
57	1708665	1	PLUG, PT 1/8	
58	1720829	2	CONNECTOR	
59	1723773	2	O-RING	
60	1720831	2	PACKING, 6.1	
61	1720832	1	PIN, 3.2 x 21	
62	1720833	3	BOLT, 8 x 45	
63	1723781	1	SWASH PLATE COMPLETE	
64	1720835	1	BEARING COMPLETE	
65	1720836	2	WASHER	
66	1720837	1	SPRING (N/C)	
67	1720838	1	SHAFT (BYPASS)	
68	1720839	1	LEVER (BYPASS)	
69	1718061	1	RING	
70	1708684	1	SPRING	
71	1708691	2	PACKING	
72	1707839	1	PIN, 3.0A*20	
73	1720840	1	CONTROL LEVER	
74	1718039	1	SHOCK ABSORBER	
75	1720841	1	BOLT	
76	1720842	1	PIN, 6.0A x 50	
77	1720843	1	PIN, 3.5A x 50	
78	1720844	1	WASHER, 10	

Footnotes:

Transmission SERVICE PARTS - Tuff Torq K-71E without Diff Lock

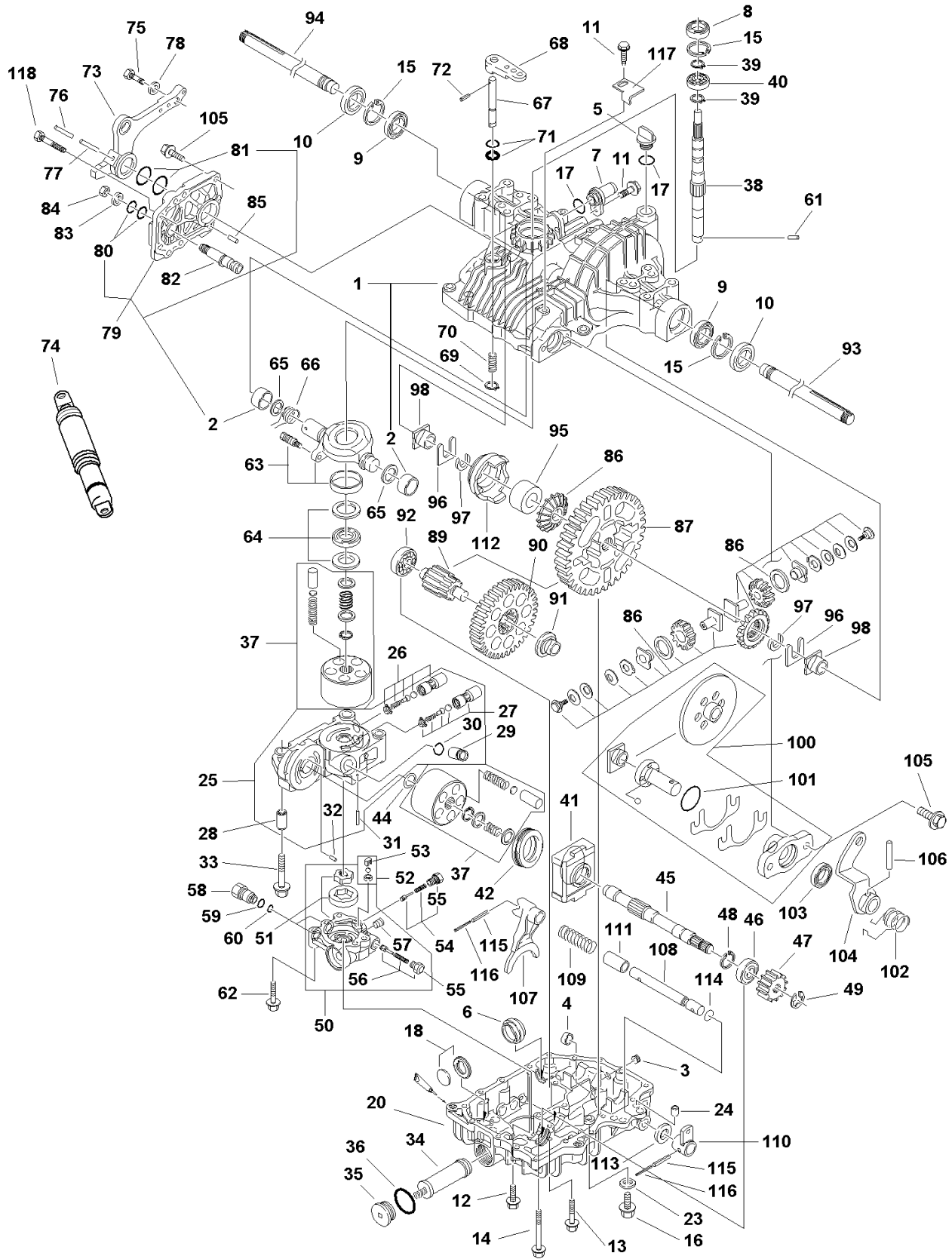


Transmission SERVICE PARTS - Tuff Torq K-71E without Diff Lock

Item	Part No	Qty	Description	Note
79	1723785	1	SIDE COVER SET	
80	1707879	2	PACKING, P14	
81	1720846	2	PACKING, P28	
82	1720847	1	FULCRUM, (ECCENT)	
83	1708689	1	WASHER	
84	1708692	1	NUT 12	
85	1720848	2	PIN, 8 x 16	
86	1723796	2	DIFFERENTIAL GEAR KIT	
87	1720850	1	FINAL GEAR	
89	1720851	1	SHAFT, (F PINION)	
90	1720852	1	REDUCTION GEAR	
91	1720853	1	BUSHING, 15	
92	1720854	1	BEARING, 6203SH2	
93	1720855	1	AXLE SHAFT L	
94	1720856	1	AXLE SHAFT R	
95	1720857	1	COLLAR, (Diff. Lock)	
96	1720858	2	THRUST WASHER	
97	1720859	2	RING	
98	1720860	2	BUSHING	
100	1720862	1	BRAKE KIT	
101	1720863	1	PACKING, G35	
102	1720864	1	SP, (RETURN)	
103	1720865	1	SEAL, TC173007	
104	1720866	1	ARM, (BRAKE)	
105	1720867	2	BOLT, 8 x 25	
106	1718100	1	PIN, 6.0A x 4.0	
107	1720794	2	FORK, (Diff. Lock)	
108	1723783	2	SHAFT, (Diff. Lock)	
109	1720792	1	SPRING, (Diff. Lock)	
110	1720868	1	ARM, (Diff. Lock)	
111	1720869	1	COLLAR, (STOP)	
112	1720870	1	SLIDER, (Diff. Lock)	
113	1720871	1	WASHER, 17 x 32 x 3	
114	1720872	1	PACKING, 1A P12.5	
115	1707840	2	PIN, 6.0A*32	
116	1707834	2	PIN, 3.5A x 32	

Footnotes:

Transmission SERVICE PARTS - Tuff Torq K-71E without Diff Lock

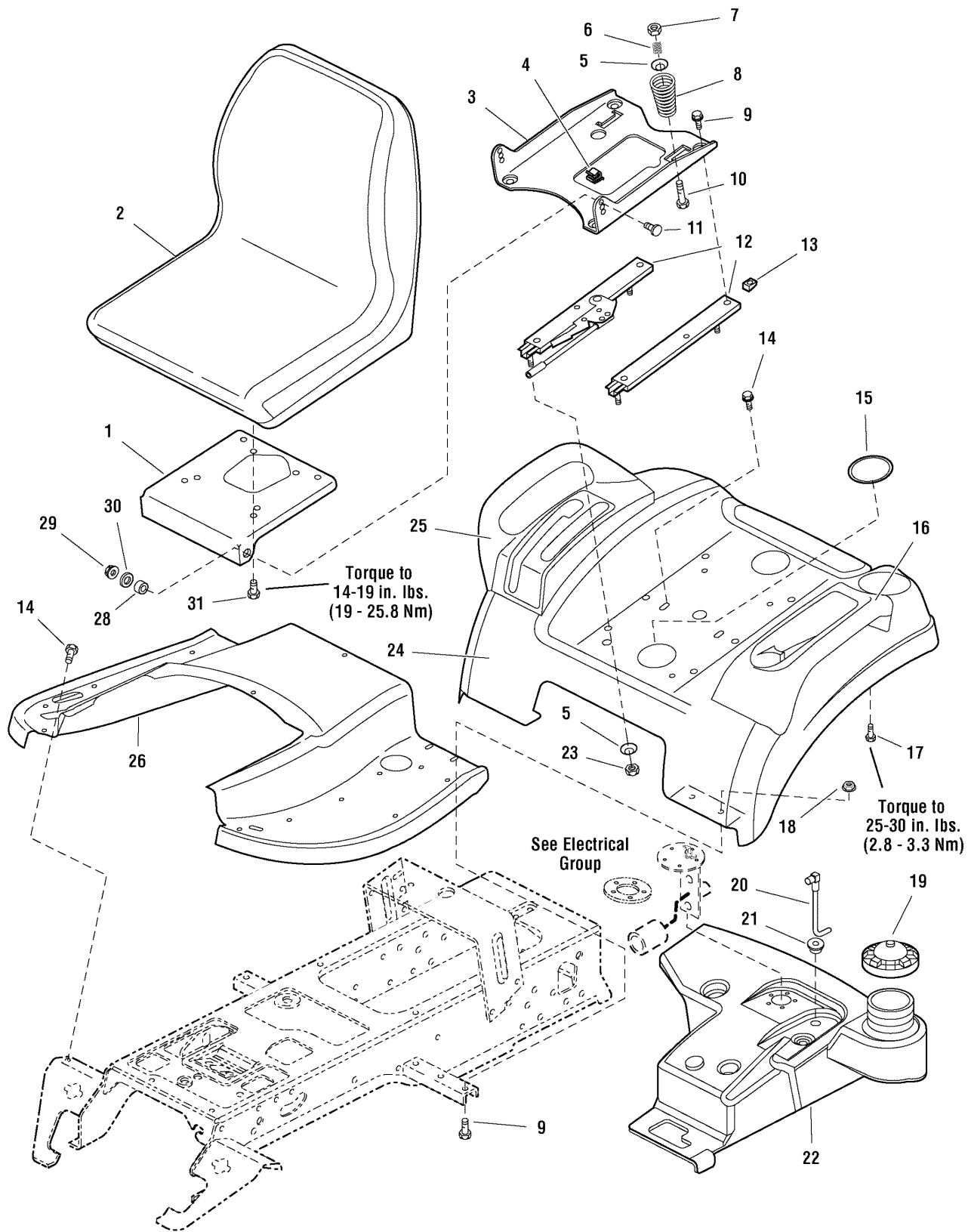


Transmission SERVICE PARTS - Tuff Torq K-71E without Diff Lock

Item	Part No	Qty	Description	Note
117	1721188	1	STOPPER, Brake	
118	1723769	2	SCREW, Tapping 8 x 35	

Footnotes:

Seat & Seat Deck Group

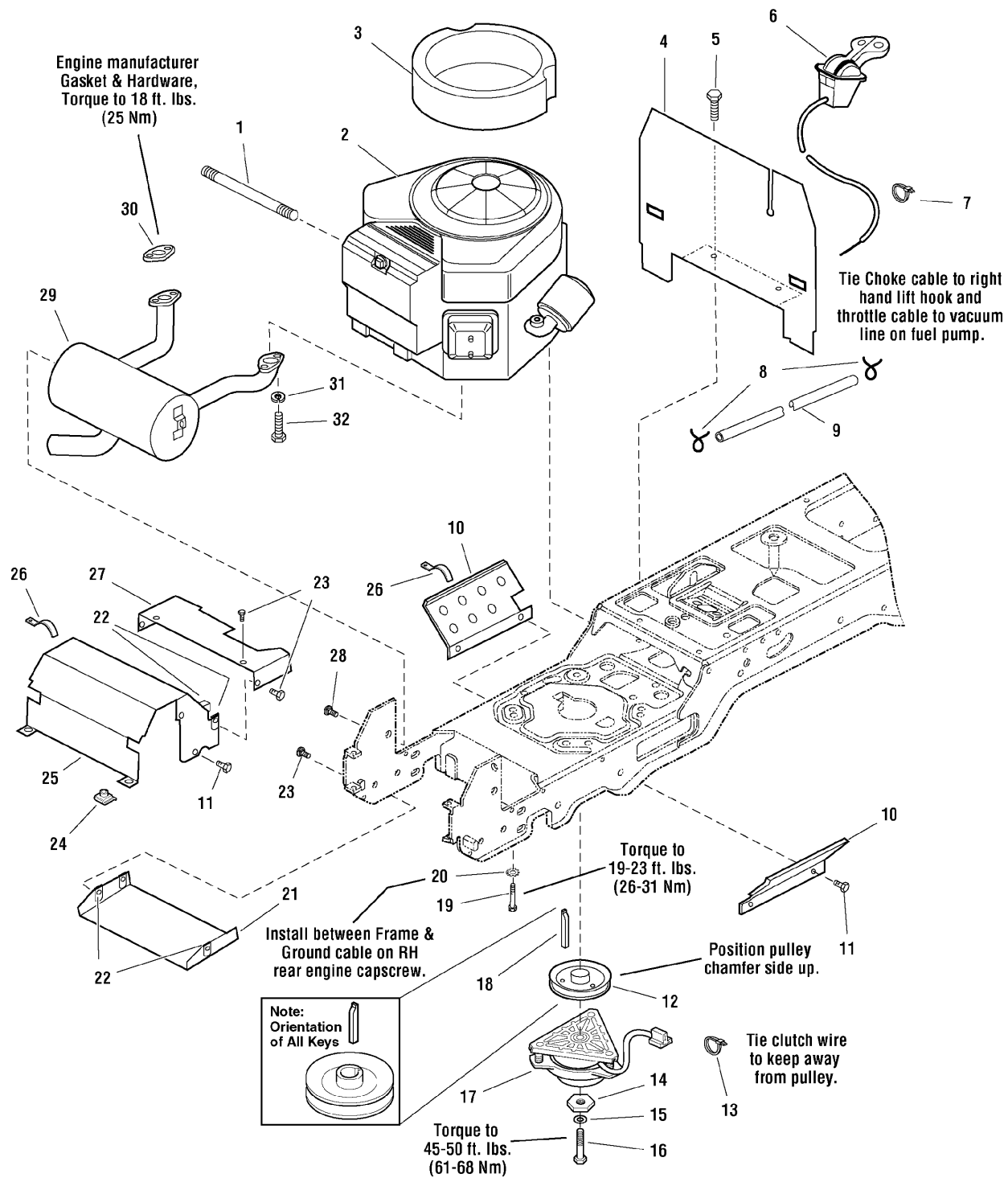


Seat & Seat Deck Group

Item	Part No	Qty	Description	Note
1	1722129A	1	BRACKET, 1-5/8 x 1-3/4	
2	1722307	1	SEAT, 18" Back	
3	1722128A	1	SUPPORT, Seat	
4	2172434	1	CLIP, Wire	
5	1709256A	2	WASHER, Spring, 5/16 x 1-1/4	
6	1714263	2	SPRING, Compression	
7	1919438	10	NUT, Hex Lock, ESNA Light, 5/16-18	
8	1717051	2	SPRING, Compression	
9	1930591	8	CAPSCREW, Hex Flange Whiz Lock, 5/16-18 x 3/4	
10	1931339	2	CARRIAGE BOLT, 5/16-18 x 2	
11	1931350	2	CARRIAGE BOLT, 3/8-16 x 1	
12	1722356	1	SLIDE, Seat	
13	1935255	4	NUT, Speed, 5/16-18, Lug Type	
14	1930601	4	CAPSCREW, Hex Washer Head Taptite, 5/16-18 x 5/8	
15	1722309	2	PLUG, Plastic	
16	1722109	1	POD, with Cup Holder, LH	
17	2960664	8	CAPSCREW, Hex Washer Head, 1/4-20 x 5/8	
18	1931277	4	NUT, Hex Flange Whiz Lock, 5/16-18	
19	1715917	1	CAP, Gas	
20	1722340	1	TUBE & ELBOW ASSEMBLY	
21	1654930	1	BUSHING, 3/8 x 9/16 x 5/8, Rubber	
22	1722432	1	TANK, Fuel	
23	1960636	8	NUT, Hex KEPS, 5/16-18	
24	1722106CD	1	DECK, Seat, Orange	
24	1722106D	1	DECK, Seat, Red	
25	1722108	1	POD, RH with 2 Slots	
26	1722105CD	1	TUNNEL, Orange	
26	1722105D	1	TUNNEL, Red	
27	1960667	4	SCREW, Hex Flange Whiz Lock, 5/16-18 x 1	
28	1663752	2	SPACER, 25/64 x 5/8 x 3/16, Hardened	
29	1930645	2	NUT, Hex Flange Two-Way Lock, 3/8-16	
30	1924940	2	WASHER, 3/8	
31	1960667	4	CAPSCREW, Hex Flange Whiz Lock Dog Point, 5/16-18 x 1	

Footnotes:

Engine & Electric Clutch Group - 23HP Kohler



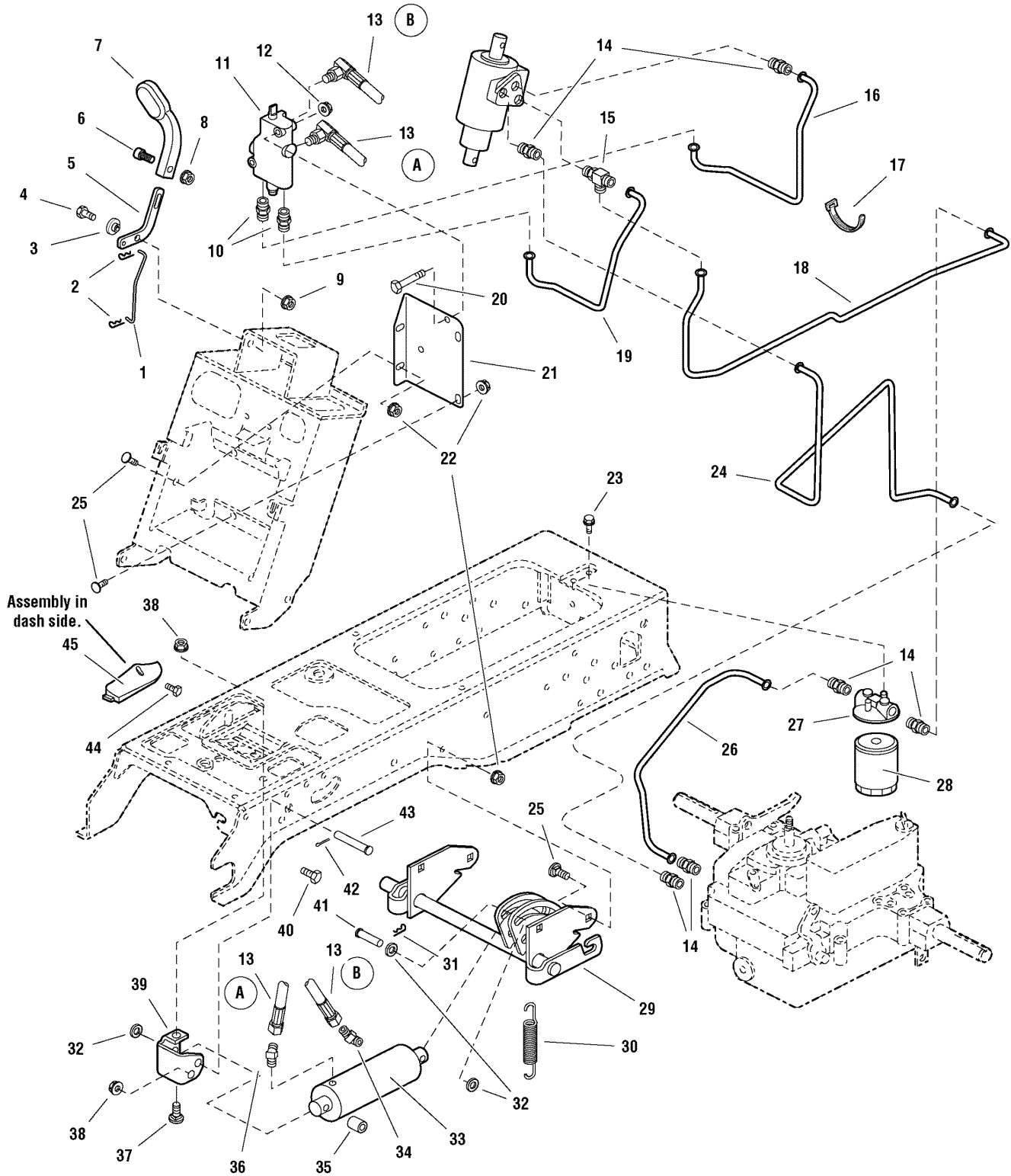
Engine & Electric Clutch Group - 23HP Kohler

Item	Part No	Qty	Description	Note
1	1723165	1	HOSE, Oil Drain, 10 1/2 Long, 3/8-18 Fittings	
2		1	* ENGINE, 23HP Kohler Command, Mod. CV23S-PS75553	
3	1719847	1	SEAL, Circle	
4	1722388A	1	BULKHEAD	
5	1925003	2	CAPSCREW, Hex Washer Head Taptite, 1/2-20 x 1/2, Black	
6	1721950	1	CONTROL, Throttle Double, 39" Long	
7	1701011	2	TIE, Self Locking	
8	2960112	2	CLAMP, Hose Type E	
9	1718678	1	HOSE, Fuel, 58 Long	
10	1722392A	2	SHIELD, Side	
11	1929000	8	CAPSCREW, Hex Washer Head Taptite, 1/4-20 x 3/8	
12	1722288	1	PULLEY & HUB ASSEMBLY	
13	2932747	1	TIE, Self Locking	
14	1708264	1	WASHER, Hex, 7/16, 1/4 Thick, Black	
15	1918199	1	LOCKWASHER, Spring 7/16	
16	1960649	1	CAPSCREW, Hex Head 7/16-20 x 3-1/2	
17	1686883	1	CLUTCH, Electric	
18	1720463	1	KEY, HI PRO 1/4 x 2-1/2	
19	2930598	4	CAPSCREW, Hex Washer Head Taptite, 3/8-16 x 1-1/2	
20	2920427	1	LOCKWASHER, External Tooth 3/8	
21	1722414A	1	SHIELD, Muffler Bottom	
22	1960368	8	NUT, Speed, 1/4-20	
23	1960295	4	CAPSCREW, Hex Flange Whiz Lock, 1/4-20 x 5/8	
24	1935255	2	NUT, Speed, 5/16-18, Lug Type, Black	
25	1722389A	1	DUCT, Muffler Top	
26	2934683	2	CLIP, Wire 1/8, Panel	
27	1722390A	1	DUCT, Muffler Extension	
28	1924856	2	CAPSCREW, Hex Washer Head Taptite, 5/16-18 x 1/2, Black	
29	1721705	1	MUFFLER, Kohler Twin	
30		1	* GASKET, Kohler Twin	
31	1916964	4	LOCKWASHER, Spring, 1/4	
32		4	* CAPSCREW, Hex Flange Whiz Lock, 1/4-20 x 5/8	

Footnotes:

Note* See your local Kohler distributor for parts and service.

Lift Group - Hydraulic Lift with Power Steering

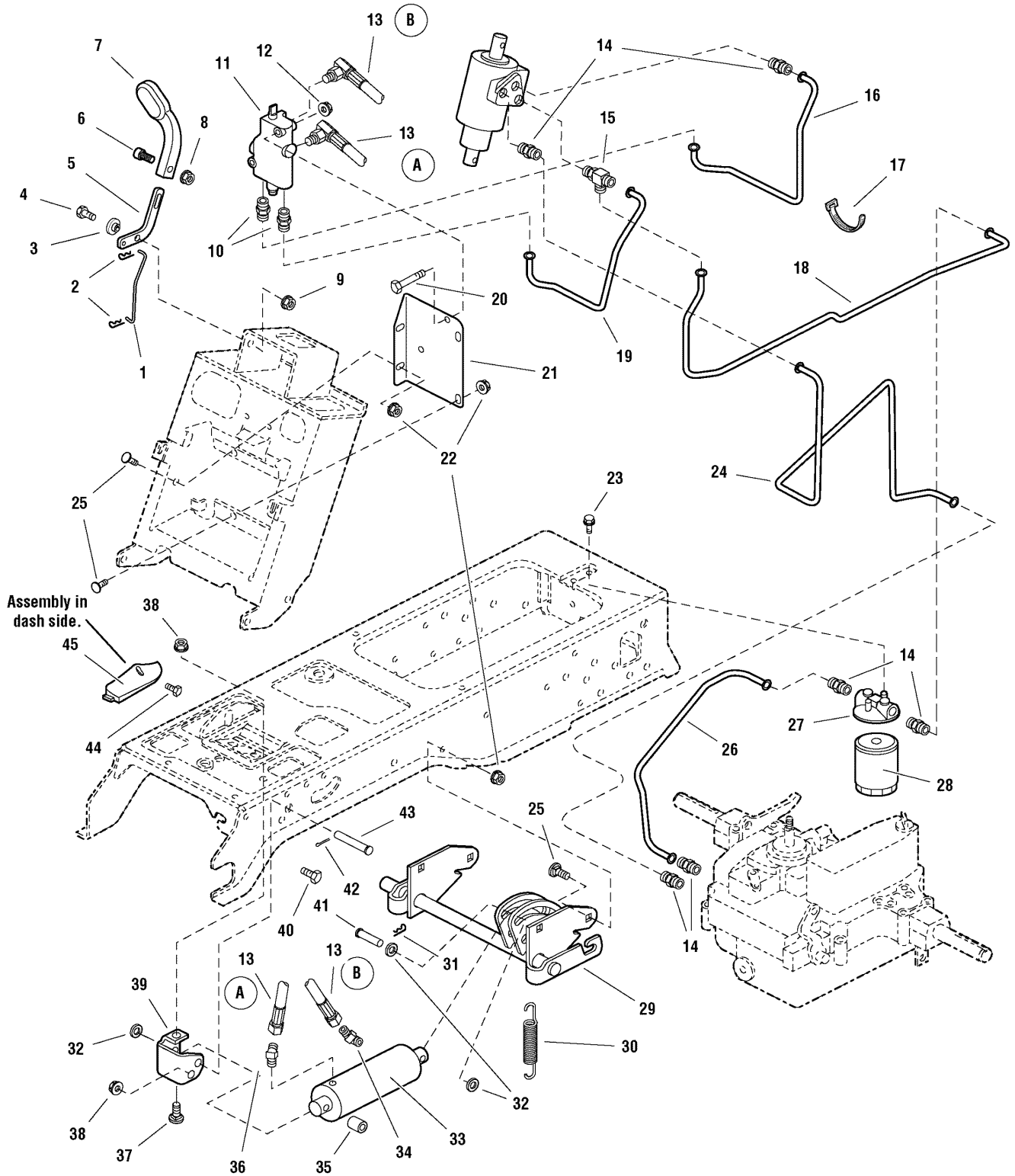


Lift Group - Hydraulic Lift with Power Steering

Item	Part No	Qty	Description	Note
1	1727557	1	ROD, Hydraulic Link	
2	1923360	2	PIN, Cotter	
3	1723244	1	SPACER, Hydraulic Lift Pivot	
4	1921333	1	CAPSCREW, Hex Head, 5/16-18 x 1, Black	
5	1721901	1	LEVER	
6	1960666	1	SCREW, Torx Plus Socket Head, 1/4-20 x 7/8	
7	1722146	1	HANDLE	
8	1920397	1	NUT, Hex Lock, ESNA Light, 1/4-20	
9	1919438	1	NUT, Hex Lock, ESNA Light, 5/16-18	
10	1722140	2	FITTING, Straight, 11/16-16, 3/4-16	
11	1717558	1	VALVE, Hydraulic	
12	2928372	2	NUT, Hex KEPS, 1/4-20	
13	1722124	2	HOSE ASSEMBLY, Hydraulic, Rubber, 12" long	
14	1722123	6	FITTING, Straight, 9/16-18, 11/16-16	
15	1722126	1	FITTING, Hose Tee, 11/16-16, .562-18	
16	1722251	1	TUBE, Hudraulic, Steel, 5 Bends	
17	1701011	1	TIE, Self Locking	
18	1722138	1	TUBE, Hudraulic, Steel, 8 Bends	
19	1722135	1	TUBE, Hudraulic, Steel, 5 Bends	
20	1921963	2	CAPSCREW, Hex Head, 1/4-20 x 2	
21	1721904A	1	SUPPORT, Control Valve	
22	1960636	8	NUT, Hex KEPS, 5/16-18	
23	1931646	2	CAPSCREW, Hex Flange Whiz Lock, 1/4-20	
24	1722295	1	TUBE, Hudraulic, Steel, 5 Bends	
25	1931333	8	CARRIAGE BOLT, 5/16-18 x 3/4	
26	1722297	1	TUBE, Hudraulic, Steel, 5 Bends	
27	1719169	1	BASE, Oil Filter	
28	1719168	1	FILTER, Oil	
29	1727436A	1	SHAFT ASSEMBLY	
30	2156302	1	SPRING, Extension	
31	1960033	1	CLIP, Hair Pin	
32	1960027	2	WASHER, 1/2 x 7/8	
33	1722266	1	CYLINDER, Hydraulic	
34	1722141	1	FITTING, Elbow, 90 Degree, 9/16-18, 1/4	
35	1722148	1	SPACER, 17/32 x 3/4 x 1-1/32	
36	1722122	1	FITTING, Elbow, 45 Degree, 9/16-18, 1/4	
37	1931350	1	CARRIAGE BOLT, 3/8-16 x 1	

Footnotes:

Lift Group - Hydraulic Lift with Power Steering

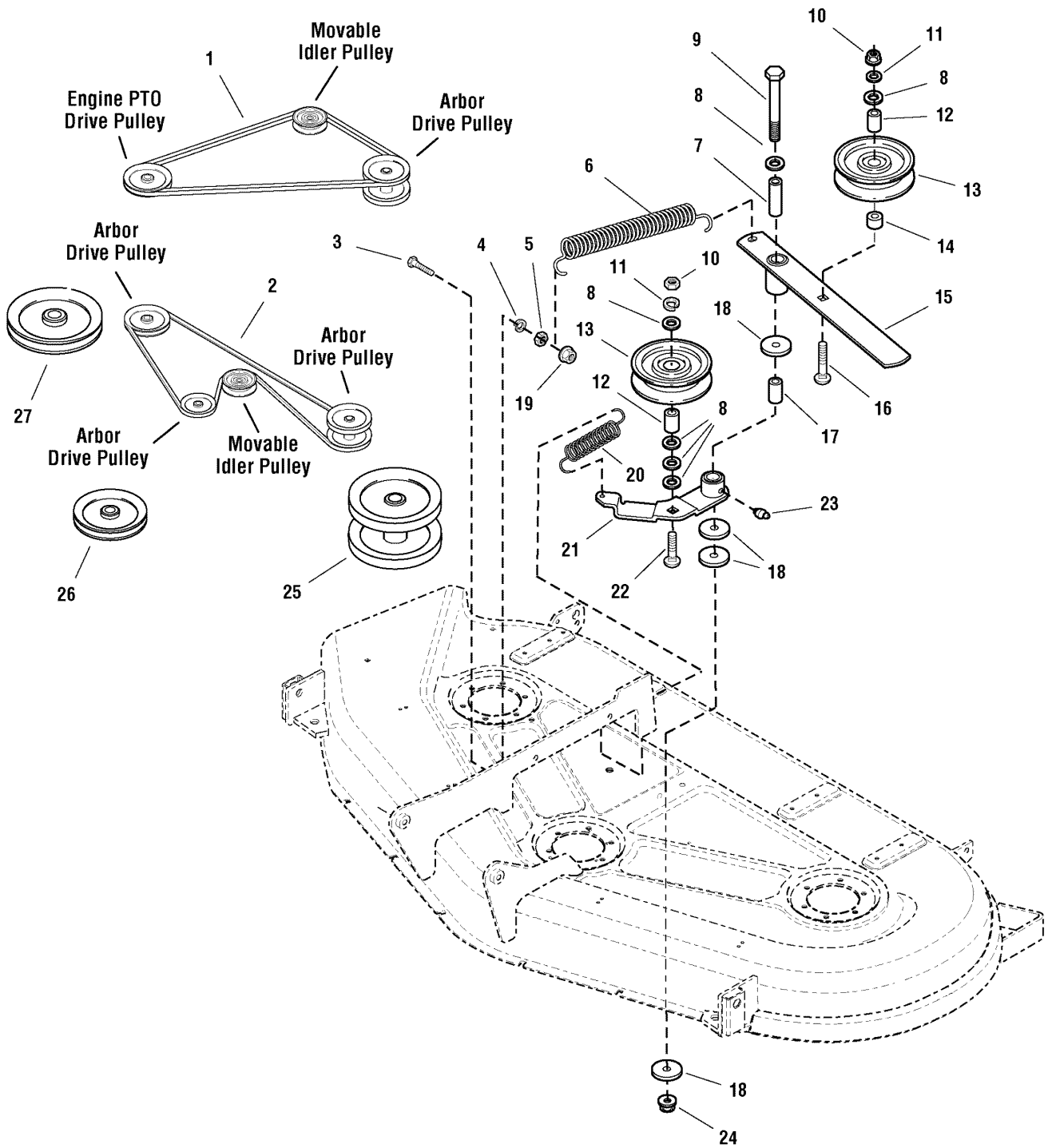


Lift Group - Hydraulic Lift with Power Steering

Item	Part No	Qty	Description	Note
38	1960637	2	NUT, Hex KEPS, 3/8-16	
39	1722113A	1	SUPPORT, Cylinder to Frame	
40	1921210	1	CAPSCREW, Head Head, 3/8-16 x 1	
41	1722819	1	PIN, Flat Head Drilled	
42	1918452	1	PIN, Cotter	
43	1722147	1	PIN, Clevis	
44	1722607	1	SCREW, Pan Head, # 8-16 x 1/2	
45	1722285	1	COVER, Dash Black (SEE NARATIVE)	

Footnotes:

54" Mower Deck - Belt, Idler Arm & Hitch Group

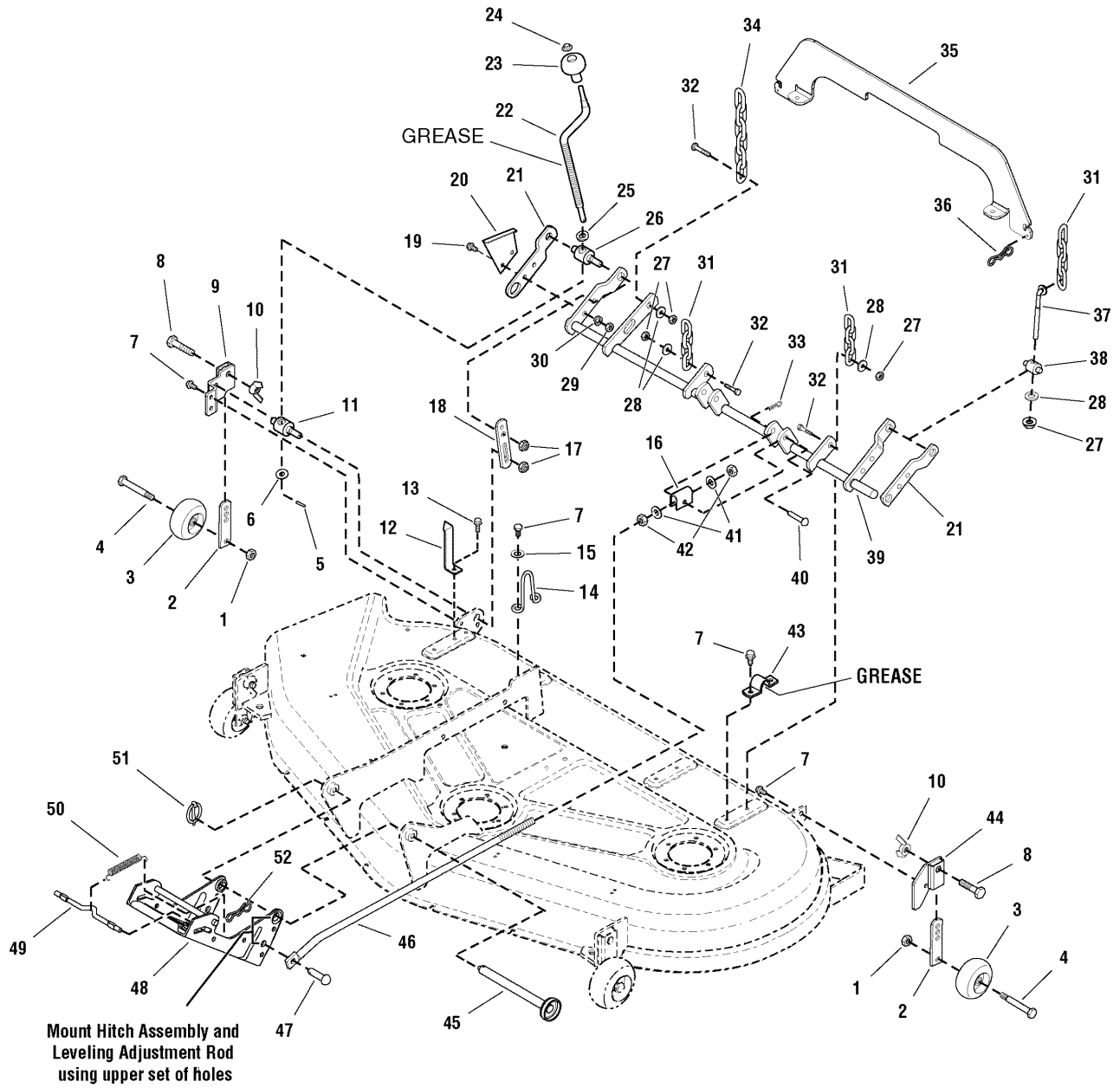


54" Mower Deck - Belt, Idler Arm & Hitch Group

Item	Part No	Qty	Description	Note
1	1722039	1	V-BELT, Engine PTO	
2	1671076	1	V-BELT, 54 Mower Deck	
3	1921977	1	CAPSCREW, Hex Head, 5/16-18 x 1-1/4	
4	1917356	1	WASHER, Lock, 5/16	
5	1917372	1	NUT, Hex, 5/16-18	
6	1715435	1	SPRING	
7	1657242	1	SPACER, 25/64 x 5/8 x 1-55/64	
8	1924940	7	WASHER, 3/8	
9	1960246	1	CAPSCREW, Hex Head, 3/8-16 x 4-1/2	
10	1916950	2	NUT, Hex, 3/8-16	
11	1916965	2	WASHER, Lock, 3/8	
12	1716553	2	HUB, 25/64 x 3/4 x 63/64, Powder Metal	
13	1685150	2	PULLEY, Idler (Includes Ref. No. 12)	
14	2157081	1	SPACER	
15	1720379	1	ASSEMBLY, Lever	
16	1960315	1	CARRIAGE BOLT, 3/8-16 x 2	
17	1674669	1	SPACER	
18	1924356	3	WASHER, 3/8	
19	1923362	1	NUT, Hex Centerlock, 5/16-18, Black	
20	1656936	1	SPRING, Extension, 4" Long	
21	1718561	1	LEVER ASSEMBLY, (Includes Ref. No. 23)	
22	1931352	1	CARRIAGE BOLT, 3/8-16 x 1-1/2	
23	2912808	1	FITTING, Lube	
24	1930645	1	NUT, Hex Flange, 3/8-16	
25	1720183A	1	PULLEYS & HUB ASSEMBLY, Double, LH	
26	1679161A	1	PULLEY & HUB ASSEMBLY, Center	
27	1720182A	1	PULLEY & HUB ASSEMBLY, RH	

Footnotes:

54" Mower Deck - Height Adjustment & Roller Bar Group

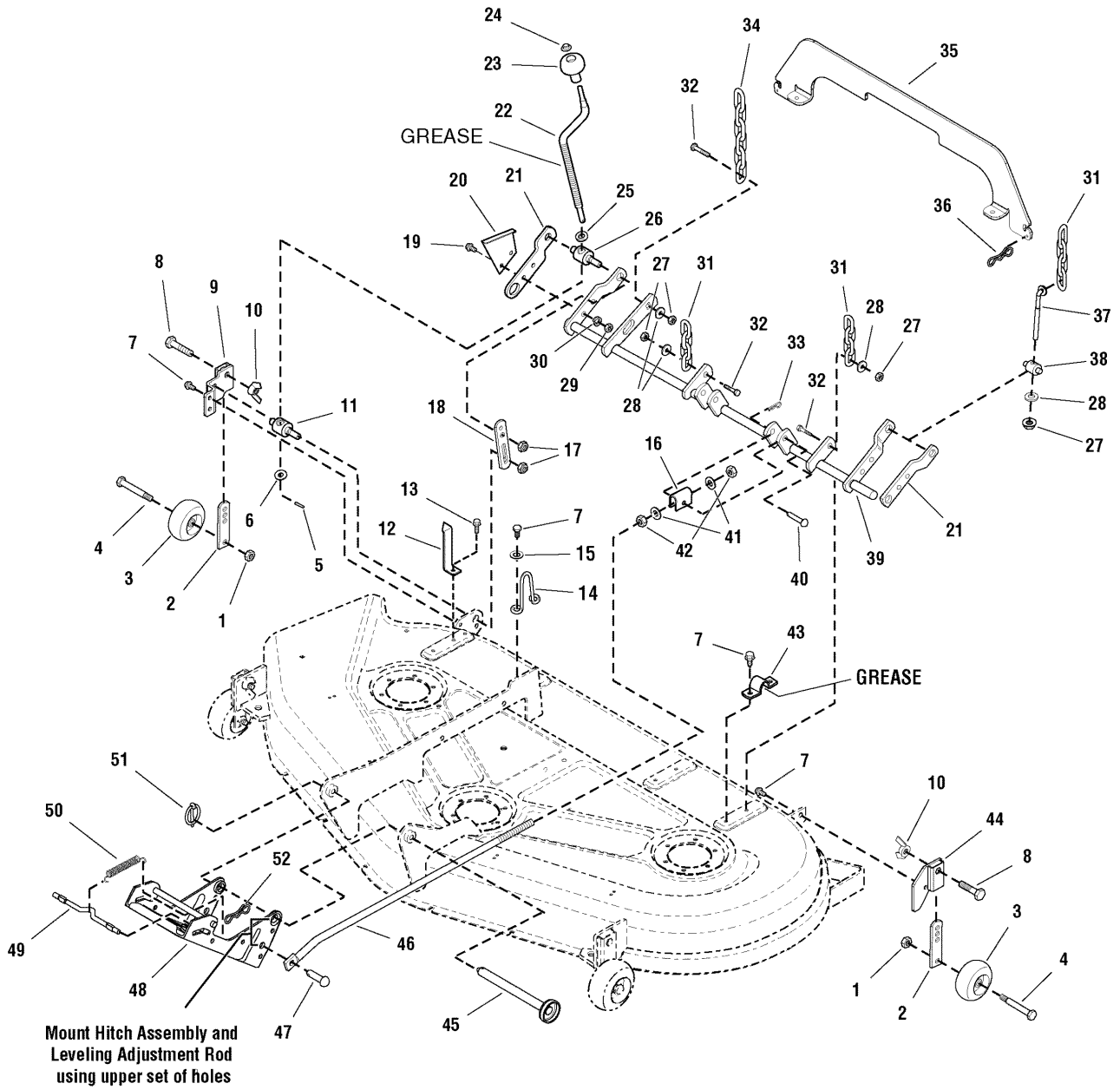


54" Mower Deck - Height Adjustment & Roller Bar Group

Item	Part No	Qty	Description	Note
1	1930645	2	NUT, Hex Flange Two-Way Lock, 3/8-16	
2	7035835	2	POST, Anti-Scalp	
3	7029264	2	WHEEL, Gauge	
4	7029265	2	BOLT, Sholder, 3/8-16 x 3-3/8	
5	2916001	1	PIN, Roll	
6	1704097	1	WASHER, Detent, 1/2	
7	1960541	11	CAPSCREW, Hex Washer Head, Taptite, 5/16-18 x 3/4	
8	1920415	2	CAPSCREW, Hex Head, 3/8-16 x 1-1/4 G5	
9	1727612A	1	SUPPORT ASSEMBLY, RH Gauge Wheel	
10	7091049	2	NUT, Wing, 3/8-16	
11	1724009	1	TRUNNION	
12	1720643A	1	INDICATOR, Height	
13	1931202	1	CAPSCREW, Hex Washer Head, Taptite, 5/16-18 x 1-1/4	
14	1719929	1	UP-STOP, Wire	
15	1924940	2	WASHER, 5/8	
16	1706645A	2	TRUNNION	
17	1930644	2	NUT, Hex Flange Lock, 1/2-13	
18	1727143A	1	STOP, Height Adjust	
19	1921977	2	CAPSCREW, Hex Head, 5/16-18 x 1-1/4	
20	1704116A	1	BRACKET, Height of Cut	
21	1720637A	1	ARM	
22	1719901	1	CRANK, Height Adjust	
23	1714084	1	KNOB, Spinner	
24	1960093	1	PUSHNUT, 3/8	
25	1960170	1	WASHER, 1/2	
26	1704087	1	TRUNNION, Threaded	
27	1919438	2	LOCKNUT, Hex, 5/16	
28	1919381	2	WASHER, 5/16	
29	1917372	2	NUT, Hex, 5/16-18	
30	1917356	2	WASHER, Lock, 5/16	
31	1708088A	2	CHAIN, 4 Links, 6" Long	
32	1930570	2	CAPSCREW, Hex Head, 5/16-18 x 1-1/2, G8	
33	1960074	2	CLIP, Hair Pin	
34	1708266A	1	CHAIN, 6-Links	
35	1727949	1	SUPPORT, Mower Hanger	
36	1960033	1	CLIP, Hair Pin	
37	1724959	1	ROD, Height Adjustment	

Footnotes:

54" Mower Deck - Height Adjustment & Roller Bar Group

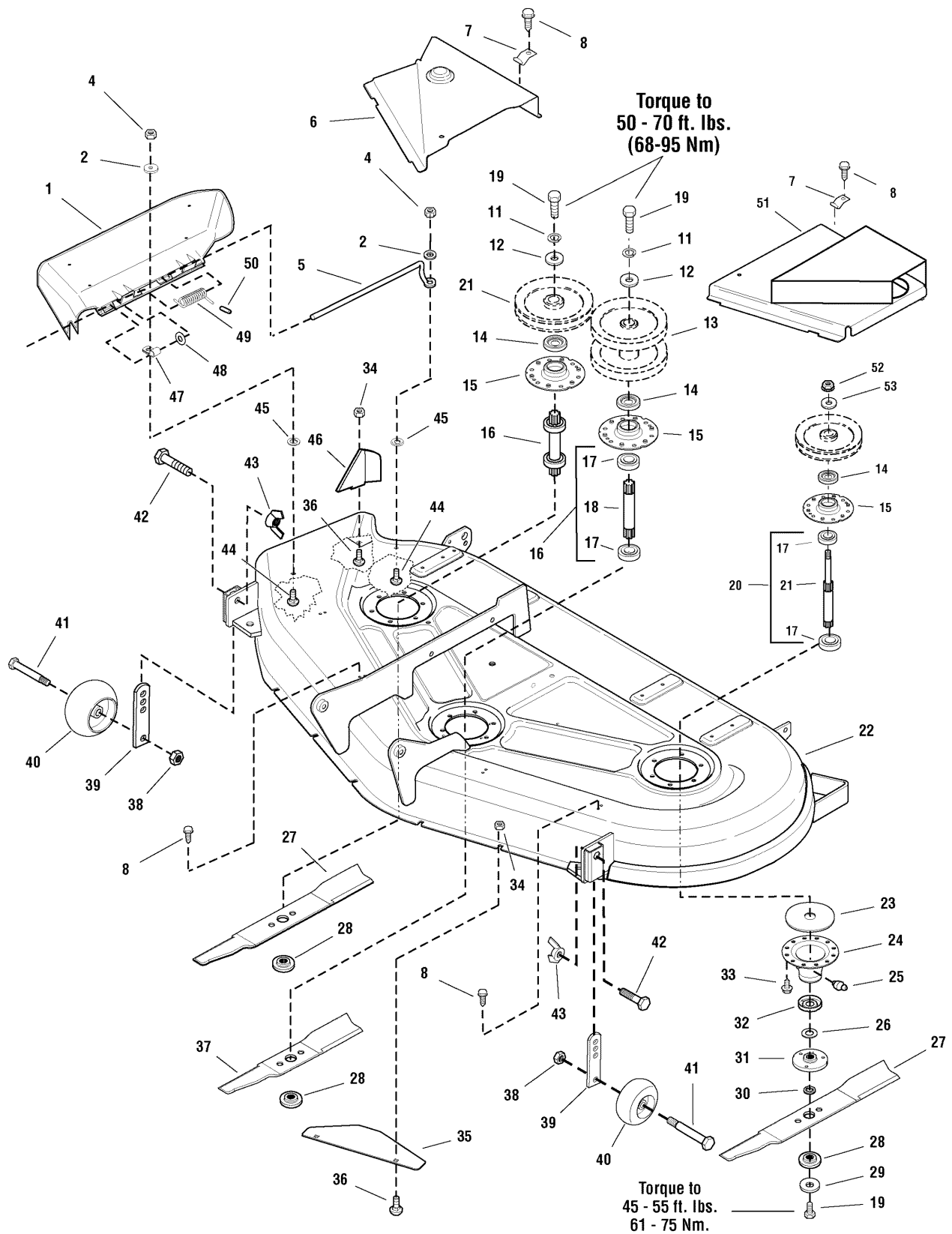


54" Mower Deck - Height Adjustment & Roller Bar Group

Item	Part No	Qty	Description	Note
38	1704086	1	TRUNNION, 1/2 Hile	
39	1727140A	1	ASSEMBLY, Rocker Shaft	
40	2118053	2	PIN, Round Head, 3/8 x 2	
41	1924366	4	WASHER, 5/8	
42	1915726	4	NUT, Hex, 5/8-11	
43	1720147A	4	STRAP	
44	1727613A	1	GAUGE WHEEL ASSEMBLY	
45	1720172	1	PIN ASSEMBLY, Hitch	
46	1722995	2	ROD, 5/8 x 29-5/8 Long	
47	1960116	2	PIN, Yoke, 1/2	
48	1722997A	1	ROD, Latch Hitch Assembly	
49	1715759	1	HITCH ASSEMBLY	
50	2156302	1	SPRING	
51	1709189	1	PIN, Click	
52	1722320	2	PIN, Bow Tie	

Footnotes:

54" Mower Deck - Housing, Arbors & Blades Group



Torque to
50 - 70 ft. lbs.
(68-95 Nm)

Torque to
45 - 55 ft. lbs.
61 - 75 Nm.

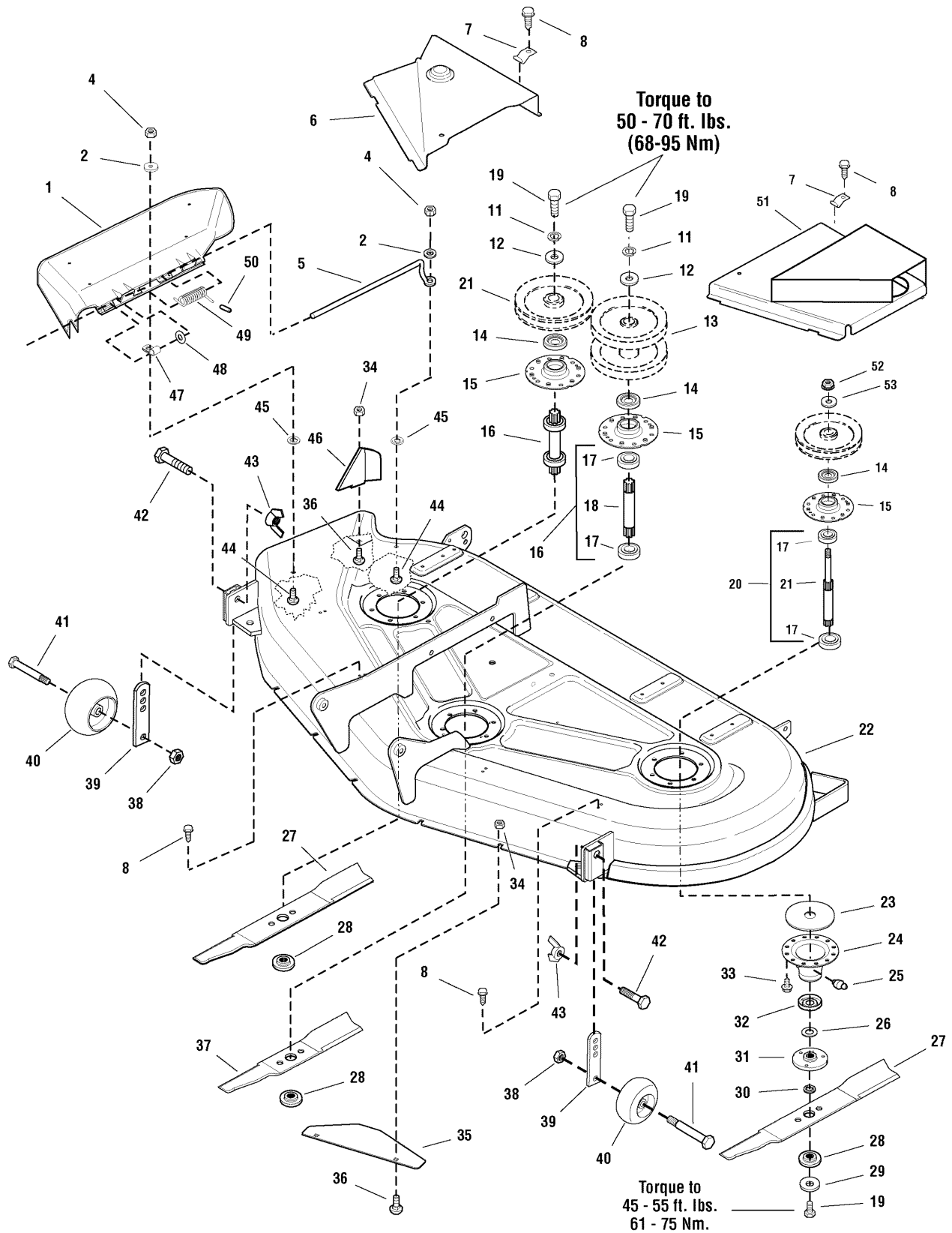
54" Mower Deck - Housing, Arbors & Blades Group

Item	Part No	Qty	Description	Note
1	1705449	1	DEFLECTOR, Plastic	
2	1960353	2	WASHER, Plain, 1/4	
4	1920397	2	NUT, 1/4-20	
5	1706709	1	ROD, Deflector, Front	
6	1720184D	1	COVER, Arbor, RH (Red)	
7	1720623	4	CLIP, Spring	
8	1929000	4	CAPSCREW, Hex Washer Head Taptite, 1/4-20 x 3/8	
11	1918199	2	WASHER, Lock, 7/16	
12	1933263	2	WASHER, 7/16	
13		1	* PULLEYS & HUB ASSEMBLY, Double, LH	
14	1657969	3	SHIELD, Bearing Upper, Arbor	
15	1655729A	3	HOUSING, Arbor, Top	
16	1676278	2	ARBOR SHAFT & BEARING ASSEMBLY	(Includes Ref. Nos. 17 & 18)
17	2108202	6	BEARING, Ball, 3/4 x 1-3/4 x 5/8	
18	1676277	3	ARBOR SHAFT	
19	2823471	5	CAPSCREW, Hex Head, 7/16-14 x 1-1/4, G8	
21		1	* PULLEY & HUB ASSEMBLY, RH	
20		1	* PULLEY & HUB ASSEMBLY, Center	
22	1687311	1	HOUSING ASSEMBLY, Mower Housing, 54" (Red)	
23	1707335	3	GASKET, Foam	
24	1703273A	3	ASSEMBLY, Housing, Bottom (Includes Ref. No. 25)	
25	1704314	3	FITTING, Lube	
26	1700230	3	WASHER, Shim	
27	1725921	2	BLADE, Mower, 20-1/2 (1" Diameter Center Hole in Blade)	
28	1679711	3	WASHER, Splined (1" Diameter Center Hole in Blade)	
29	1656916	3	WASHER, Spring	
30	1657528	3	RING, Self Locking	
31	1655777	3	ADAPTER, Blade	
32	1700229	3	SHIELD, Grass	
33	1664847	18	CAPSCREW, Hex Washer Head Taptite, 5/16-18 x 3/4	
34	1960684	3	NUT, Hex, Nylon Lock, 5/16-18	
35	1720962A	1	BAFFLE, Front, Anti-Blowout	
36	1931333	3	CARRIAGE BOLT, 5/16-18 x 3/4, (1 Needed for Rear Baffle)	
37	1725922	1	BLADE, Mower, 16 (1" Diameter Center Hole in Blade)	
38	1930645	2	NUT, Hex Lock, 3/8-16	
39	7035835	2	POST, Anti Scalp	
40	1700184	2	WHEEL, Gauge	

Footnotes:

Note* See Drive Group for pulley service part numbers.

54" Mower Deck - Housing, Arbors & Blades Group

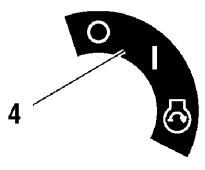
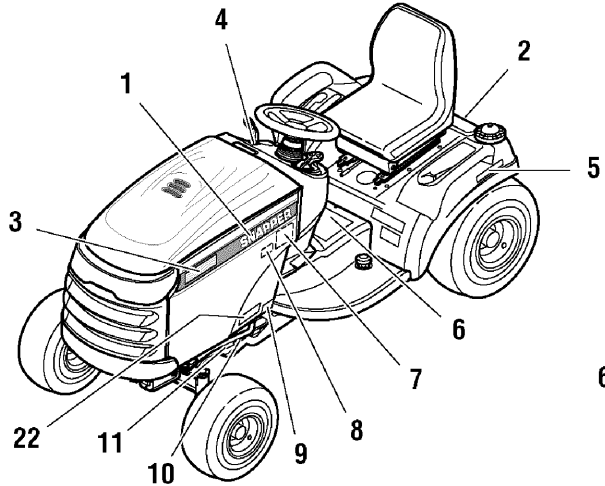


54" Mower Deck - Housing, Arbors & Blades Group

Item	Part No	Qty	Description	Note
41	7029265	2	BOLT, Sholder,	
42	1920415	2	CAPSCREW, 3/8-16 x 1-1/4	
43	7091049	2	NUT, Wing, 3/8-16	
44	1960698	2	CARRIAGE BOLT, 1/4-20 x 1	
45	1960518	2	NUT, Push	
46	1724976A	1	BAFFLE, Discharge	
47	1704873	1	CLAMP, Wire	
48	1919326	1	WASHER, Plain, 5/16	
49	7101082	1	SPRING	
50	1723323	2	CAP, Spring End	
51	1714419	1	NUT, Hex Flange 9/16-18 Yellow	
52	1726825	1	ASSEMBLY, Arbor Shaft and Bearing	
53	1713675	2	WASHER, Belleville .56ID x 1.34 OD x .05T	
54	1918431	2	WASHER, .050 .56ID x 1.37OD x .11T	

Footnotes:

Note* See Drive Group for pulley service part numbers.



⚠ DANGER

OPERATING ON SLOPES CAN BE DANGEROUS

SEE OPERATOR'S MANUAL. IF YOU CANNOT BACK UP A HILL, DO NOT DRIVE DOWN IT.

AVOID SERIOUS INJURY OR DEATH

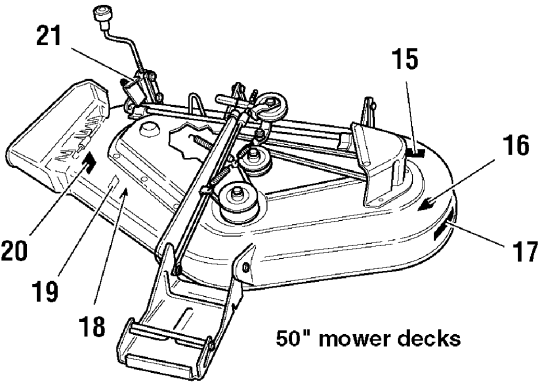
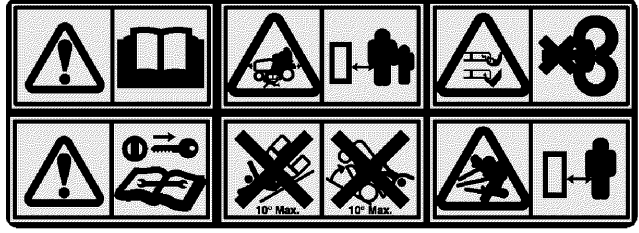
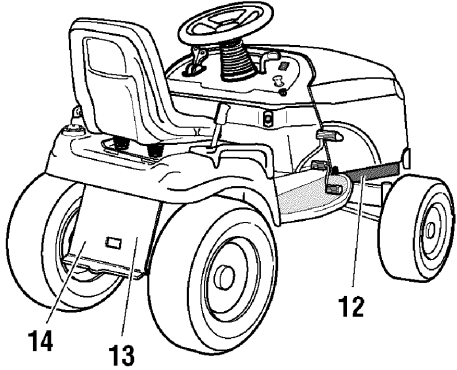
- ALWAYS WEAR YOUR SEATBELT.
- ALWAYS OPERATE AND TRAVEL AT ALL CONTROLS.
- STOP, SET PTO TO STOP, SHUT OFF POWER TO PTO, PTO AND PTO DRIVE.
- NEVER OPERATE PTO WHILE BEING DRIVEN BY THE CLutch.
- NO OTHER MOWER COLLISION OR OFF-CLEARANCE.
- NEVER LEAVE CHILDREN WITH MOWER.
- ALWAYS DOWN AND OFF BEFORE ANY MAINTENANCE.
- ALWAYS IDENTIFY THE MOWER.
- ALWAYS USE PROPER TIE-DOWN TECHNIQUE TO SECURE MOWER ON TRUCK.
- ALWAYS USE PROPER TIE-DOWN TECHNIQUE TO SECURE MOWER ON TRUCK.
- ALWAYS USE PROPER TIE-DOWN TECHNIQUE TO SECURE MOWER ON TRUCK.

DO NOT TOW TRACTOR! DAMAGE MAY RESULT TO TRANSMISSION.

⚠ DANGER

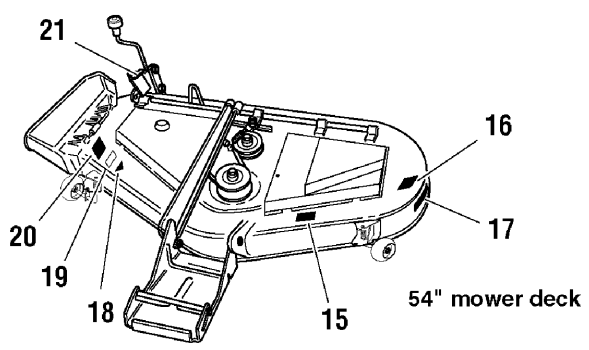
ROTATING BLADES CUT OFF ARMS AND LEGS

STOP MOWER WHEN CHILDREN ARE NEAR. NO HIDE-INS — THEY CALL OUT.



MOWER BELTS & BLADES	
38" Mower	Drive Belt 171884
	Mower Blade - Left 170456
	Mower Blade - Right 170457
40" Mower	Drive Belt 180172
	Deck Drive Belt 180221
	Mower Blade - Left 170456
	Mower Blade - Right 170457
42" Mower	Drive Belt 180172
	Deck Drive Belt 180221
	Mower Blade 170456
50" Mower	Drive Belt 171884
	Deck Drive Belt 170452
	Mower Blade - Left 170456
	Mower Blade - Right 170457
52" Mower	Drive Belt 180172
	Deck Drive Belt 180221
	Mower Blade - Left 170456
	Mower Blade - Right 170457

For safety and reliability, build or purchase Simplicity Manufacturing, Inc. belts and blades... name stamped on the part is your mark of quality.

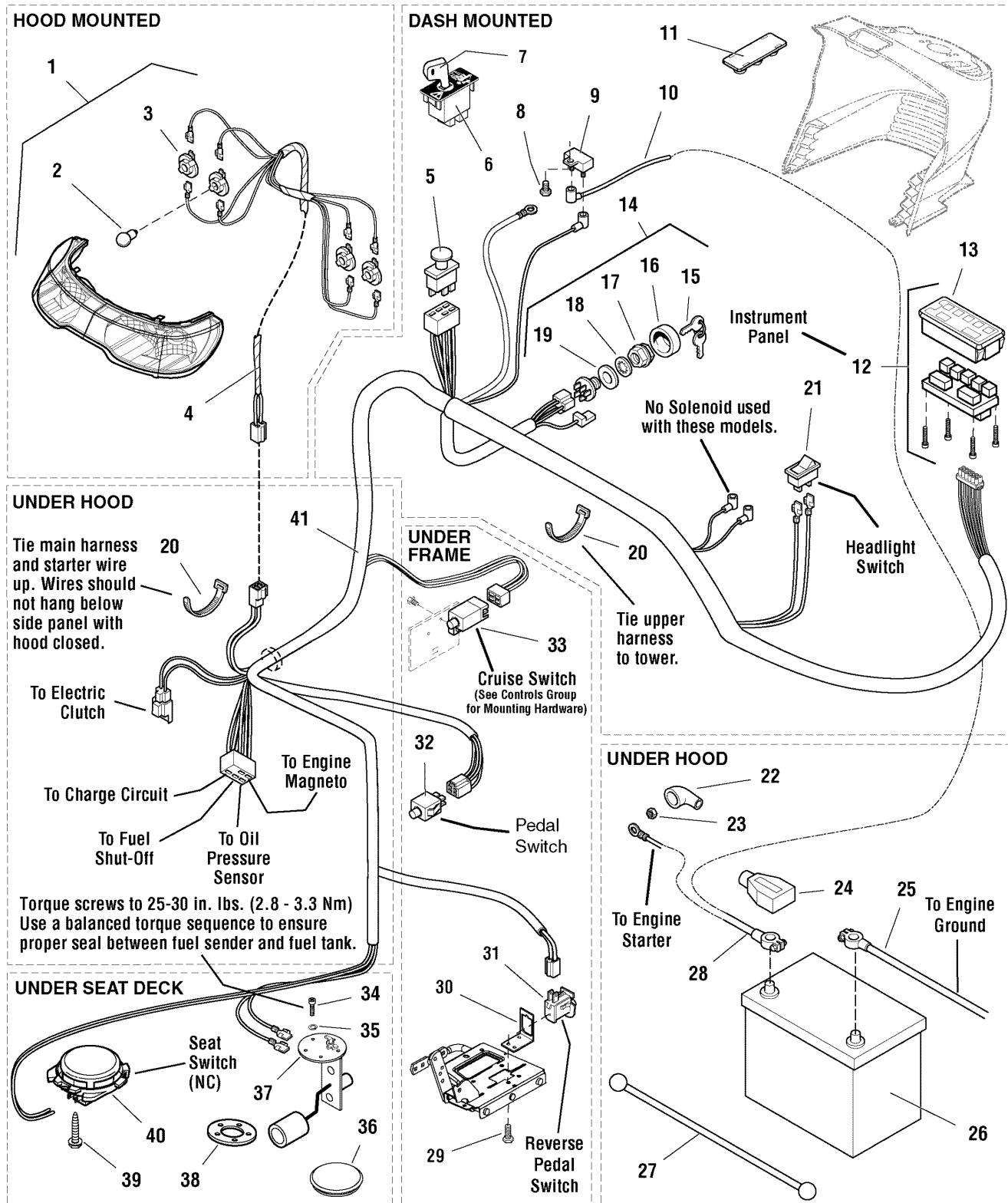


Decals Group

Item	Part No	Qty	Description	Note
1	1725061	1	DECAL, Snapper	
2	1725065	1	DECAL, Hood Stripe, Snapper, LH	
2	1725066	1	DECAL, Hood Stripe, Snapper, RH	
3	1725064	2	DECAL, GT2354	
4	1722806	1	DECAL, Ignition Switch Symbols, White/Black	
5	1718025	1	DECAL, Automatic Control Traction	
6	1726923	1	DECAL, Tunnel Cover, Danger Slopes/Blades	
6	1723175	1	DECAL, Tunnel Cover, Danger Slopes/Blades, (Export)	
7	1727014	1	DECAL, Drive Belts, Mower Blades	
8	1725072	1	DECAL, Touch Up Paint, Red	
9	1723296	2	DECAL, Protective Sticker	
10		1	* DECAL, I.D. Plate	
11		1	* LABEL, Decibel, Power Mass (Export Only)	
12		1	* DECAL, Patent	
13	1723160	1	DECAL, Transmission Release Valve	
14	1708927	1	DECAL, USA Logo Stars & Stripe	
15		1	* DECAL, I.D. Plate	
16	1704277	1	DECAL, Danger Do Not Operate Without Deflector	
17	1722771	1	DECAL, Free Floating Mower, Silver	
18		1	* DECAL, OPEI Certified	
19	1722791	1	DECAL, 54", Silver on Black with Stripe	
20	1704276	1	DECAL, Danger Do Not Put Hands/Feet in Mower	
21	1721197	1	DECAL, 1 2 3 4 5 6, Height of Cut	
22	1716518	2	DECAL, Power Steering	

Footnotes:

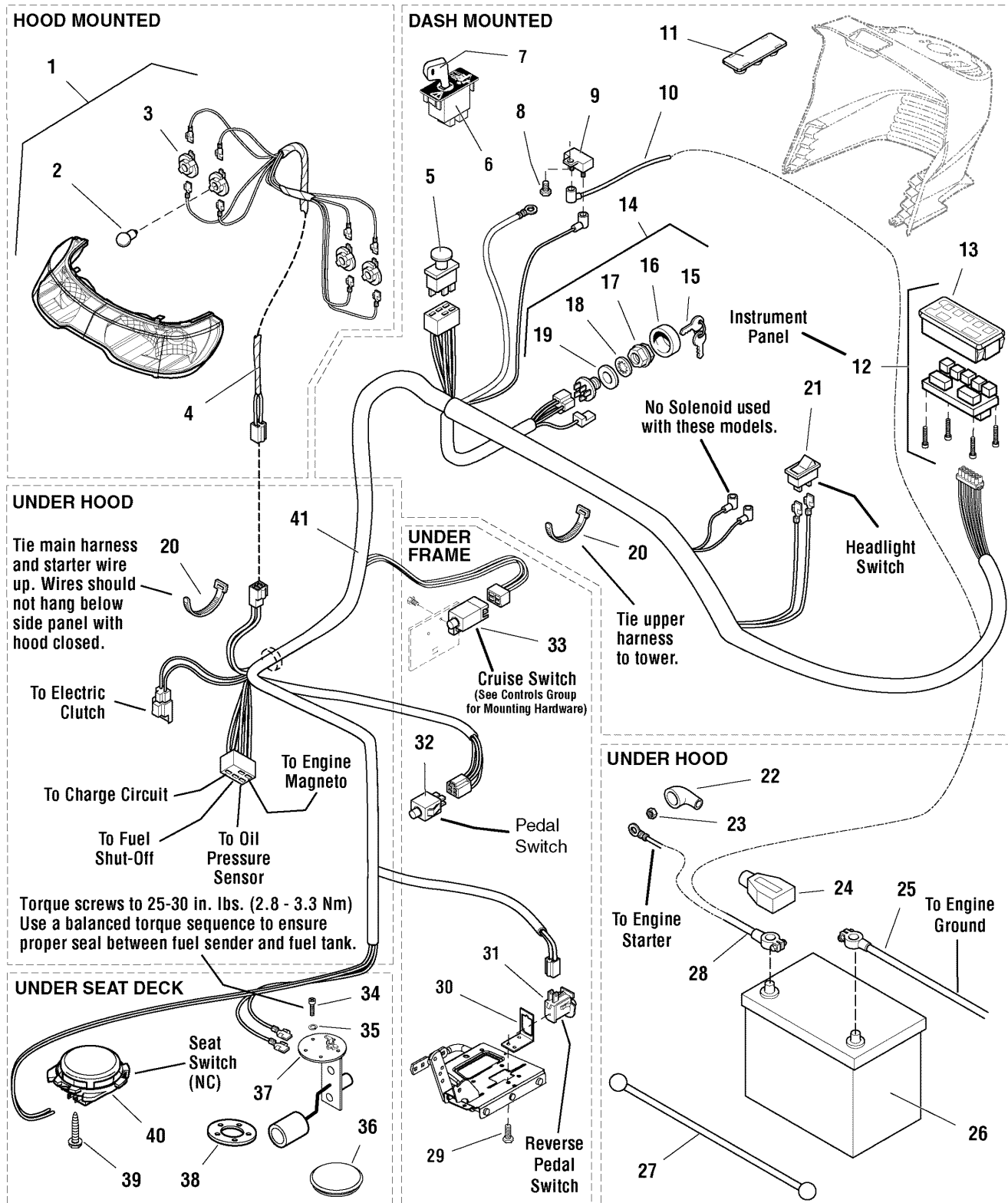
Note* Not a service part.



Electrical Group

Item	Part No	Qty	Description	Note
1	1721810	1	HEADLIGHT ASSEMBLY, 4 Bulb, (Includes Ref. Nos. 2 & 3)	
2	1677371	4	BULB, Headlight, 12.8V	
3	1723451	4	SOCKET ASSEMBLY, Headlight, Sealed	
4	1722669	1	HARNESS, Headlight	
5	1722887	1	SWITCH, PTO, Push/Pull Symbols	
6	1726556	1	MODULE, RMO (Includes Ref. No. 7)	
7	1726557	1	KEY, RMO Module Plastic	
8	1925003	2	CAPSCREW, Hex Washer Head Taptite, 1/4-20 x 1/2, Black	
9	1665238	1	BREAKER, Circuit, 12 Volt 20 Amps	
10	1665237	1	WIRE, 12GA 5.9" Long, Red	
11	1722611	1	PLUG, Hole, Square	
12	1722228	1	PANEL, Instrument with Fuel Gauge & Hour Meter (Includes Ref	
13	1724865		COVER, Instrument Panel	
14	1686734	1	SWITCH ASSEMBLY, Ignition, 6 Pin INDAK, (Includes Ref. Nos.	
15	1717163	1	KEYS, Set of 2	
16	1717550	1	COVER, For Ignition Switch, Plastic	
17	1717549	1	NUT, Hex Flange, 5/8-32, Ignition Switch	
18	1960547	1	LOCKWASHER, Internal Tooth, 5/8, Thin	
19	2101025	1	WASHER, Shim	
20	1701011	3	TIE, Self Locking	
21	1716951	1	SWITCH, Headlights , 2 Terminal	
22	1713535	1	BOOT, Insulator Cable Terminal, Red	
23	2960433	1	NUT, Hex Flange M08-1.25	
24	1713534	1	BOOT, Insulator Battery Terminal	
25	1713163	1	CABLE, #6 x 26" Long, Ring Terminal	
26	1686714	1	BATTERY, 12 Volt 500 CCA	
27	1722009	1	STRAP, Battery, 14" Long, Rubber	
28	1717001	1	CABLE, #4 26"	
29	1929000	2	CAPSCREW, Hex Head Taptite, 1/4-20 x 3/8	
30	1726810A	1	BRACKET, Switch Mount	
31	1704379	1	SWITCH, Reverse Pedal	
32	1723249	1	SWITCH, Push Button, Foot Pedal	
33	1717050	1	SWITCH, Cruise Control	
34	2960665	5	SCREW, Pan Head Torx, #10-32 x 1/2	
35	1917365	5	LOCKWASHER, Spring #10	
36	1686921	1	SENDER, Fuel Tank	
37	1722309	1	PLUG, Hole 3", Round	

Footnotes:



Electrical Group

Item	Part No	Qty	Description	Note
38	1685303	1	GASKET	
39	1960536	2	CAPSCREW, Hex Washer Head Plastite, 1/4 x 1/2	
40	1716368	1	SWITCH, Seat	
41	1726604	1	HARNESS, Wiring	

Footnotes:

Parts Manual for

SNAPPER[®]

**GARDEN TRACTOR ELECTRIC CLUTCH
HYDRO DRIVE RMO
SERIES 0**

IT IS THE POLICY OF BRIGGS & STRATTON CORP TO IMPROVE ITS PRODUCTS WHENEVER IT IS POSSIBLE AND PRACTICAL TO DO SO. WE RESERVE THE RIGHT TO MAKE CHANGES OR ADD IMPROVEMENTS AT ANY TIME WITHOUT INCURRING ANY OBLIGATION TO MAKE SUCH CHANGES ON PRODUCTS

SNAPPER[®] McDonough, GA, 30253 U.S.A.