

*Parts Manual for*

# **SNAPPER®**

## **22" STEEL DECK WALK BEHIND MOWERS**



<i>Model No.</i>	<i>Description</i>
7800418	NS2265
7800228	NS2265
7800607	NS22675
7800419	NSP2265
7800229	NSP2265
7800608	NSP22675
7800189	S2265
7800604	S22675
7800165	SP2265
7800605	SP22675

**Briggs & Stratton Yard Power Products Group**

535 Macon Road  
McDonough, GA, 30253 U.S.A.  
800-935-2967

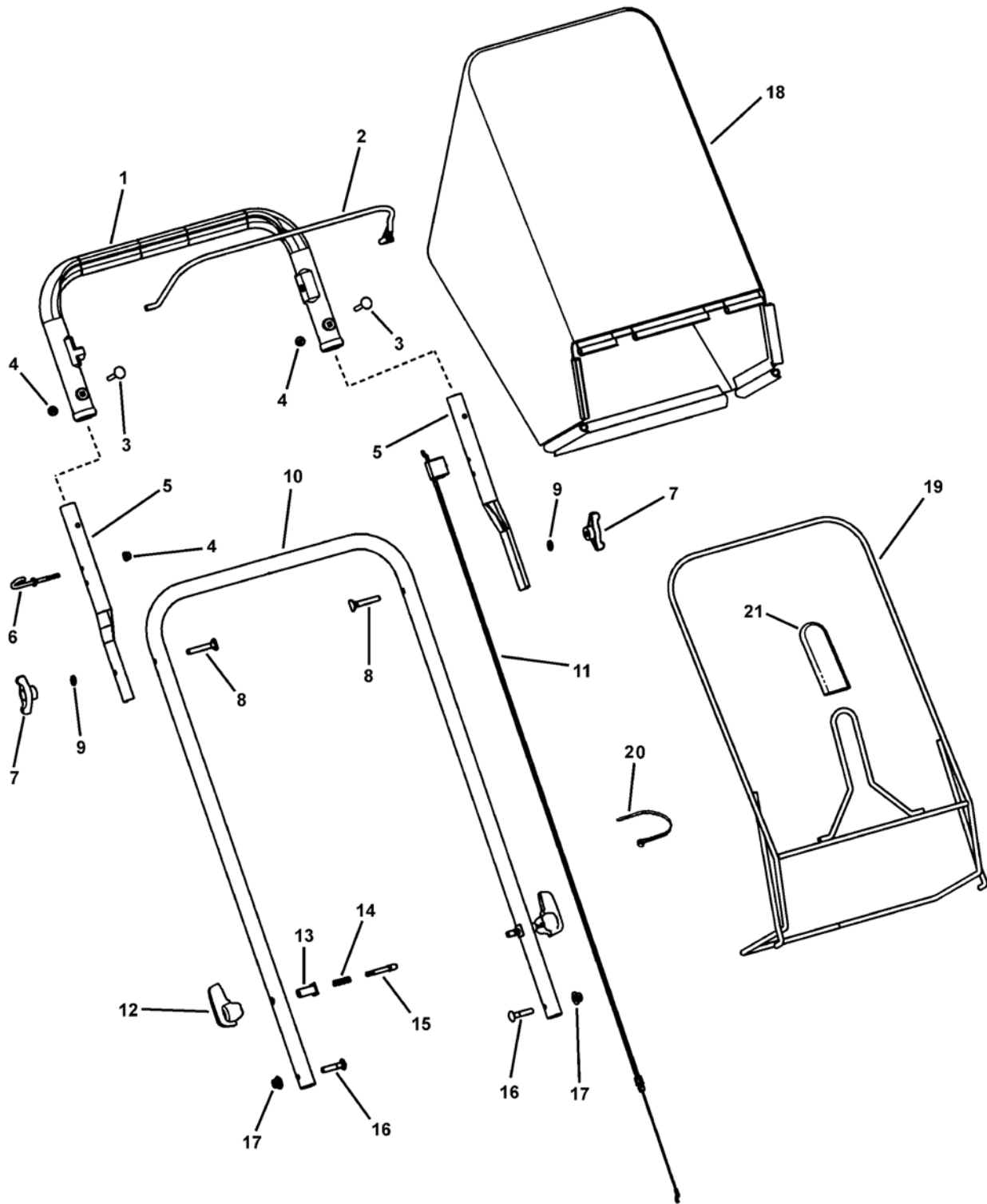
**Manual No. 7006258**  
**Revision: E 3/25/2011**

Not for  
Reproduction

<b>PAGE</b>	<b>GROUP</b>
4	Handles & Controls (Push)
6	Handles & Controls (Self-Propelled)
8	Deck Assembly (Push)
10	Deck Assembly (Self-Propelled)
12	Engine, Blade & Front Cover
14	Height-of-Cut Assemblies
16	Decals

Not for  
Reproduction

# Handles & Controls (Push)

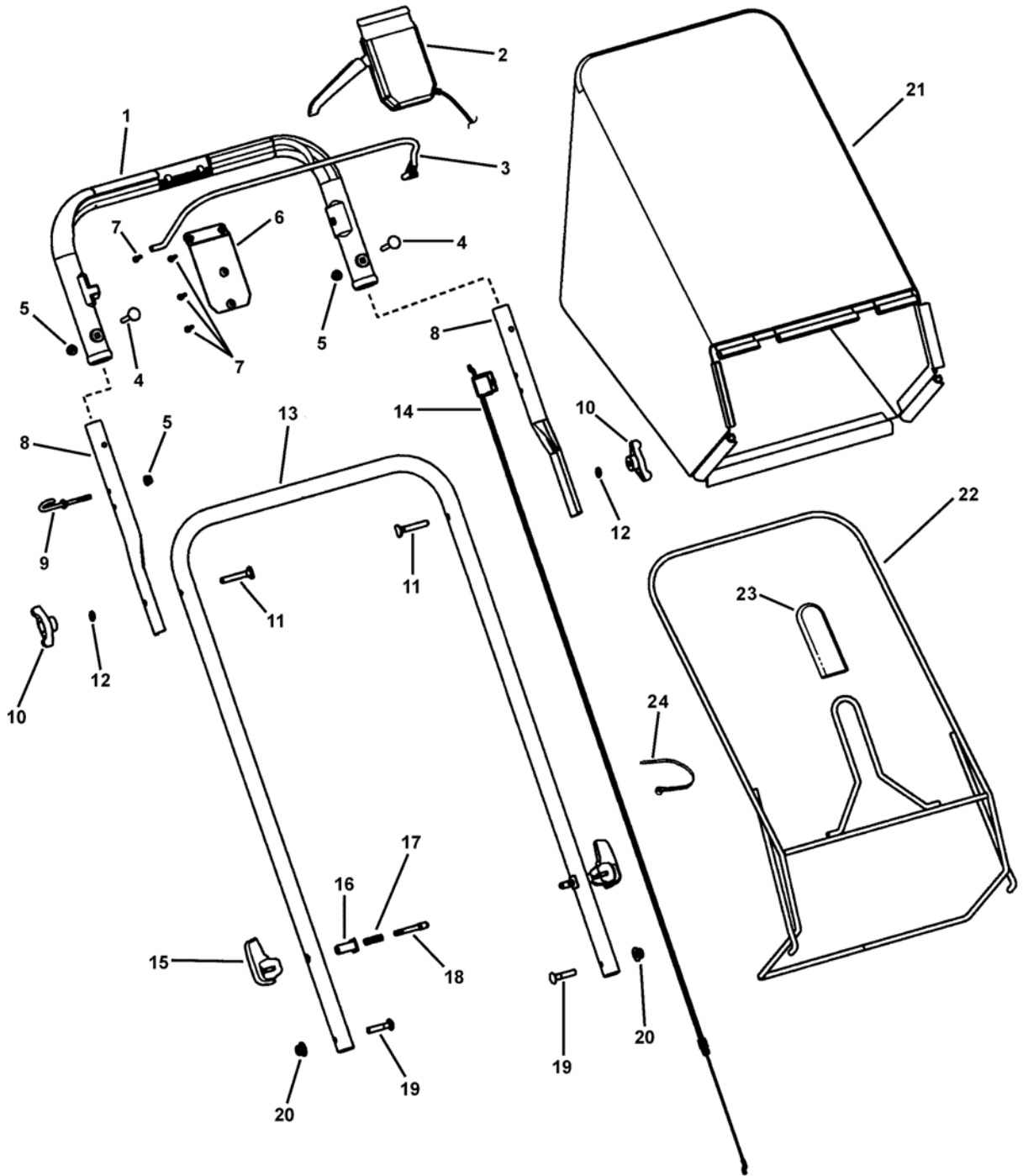


<b>Item</b>	<b>Part No</b>	<b>Qty</b>	<b>Description</b>
1	7101405	1	UPPER HANDLE, Plastic, Snapper Push
2	7101321BH	1	BAIL, Plastic Handle, WBM
3	7090015	2	BOLT, 1/4-20 x 1-3/4" Round Head Square Neck, GR 2, YZ
4	2860694	3	NUT, 1/4-20, Hex Flange (Esna) YZ
5	7300649BH	2	HANDLE, Connecting, 21"/22" WBM
6	7101410	1	ROPE GUIDE (1/4-20 thread)
7	7035744	2	KNOB, 5/16-18 Wing (5/16-18 thread) (Black)
8	7091189	2	BOLT, 5/16-18 x 2" Curved Head Square Neck, GR 2
9	7090391	2	WASHER, 5/16" Internal Tooth Lock
10	7300628BH	1	HANDLE, Lower, 22" WBM
11	7101395	1	CABLE, Bail, 22" WBM
12	7101202	2	KNOB, Quick Release
13	7101199	2	BUSHING, Handle Pin
14	7101200	2	SPRING, Compression
15	7101198	2	PIN, Handle Adjust
16	7090958	2	BOLT, 5/16-18 x 1-1/2" Round Head Short Square Neck, GR 5 or 7091303
17	7090951	2	NUT, 5/16-18 Large Flange Center Lock
18	7102573	1	GRASS BAG, 22" Rear Discharge replaces 7101246
19	7101230A	1	BAG FRAME, 22" WBM (Weldment)
20	7024649	3	WIRE TIE, 11" Standard Black Nylon
21	7026421	1	GRIP, Rectangular (Black)

Not for  
Reproduction

**Footnotes:**

**Handles & Controls (Self-Propelled)**

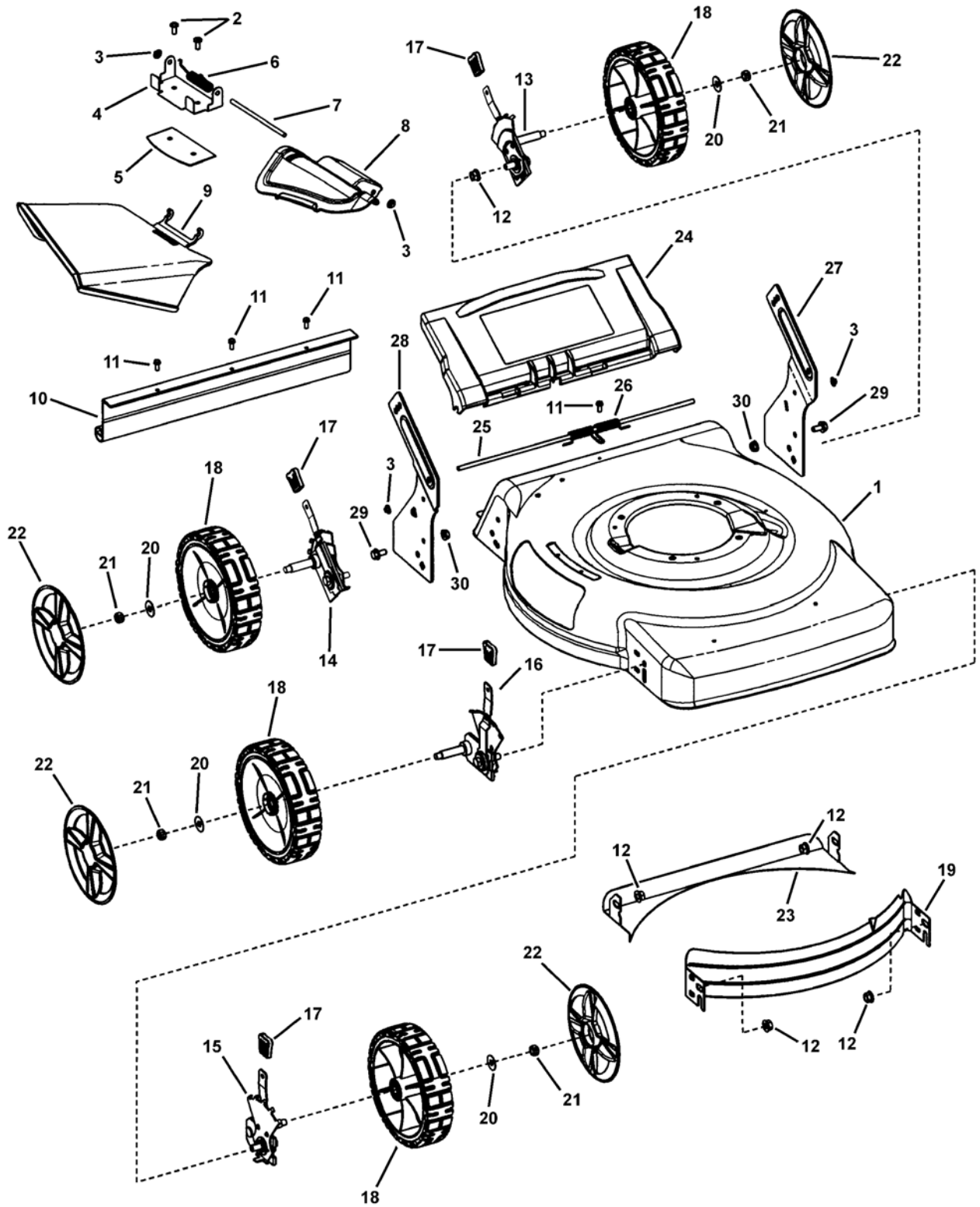


## Handles & Controls (Self-Propelled)

Item	Part No	Qty	Description
1	7101312	1	UPPER HANDLE, Plastic, WBM
2	7101417	1	ASSY, Control Head, 22" WBM, Single Speed (incl.Clutch Lever, Box, & Drive Cable)
3	7101321BH	1	BAIL, Plastic Handle, WBM
4	7090015	2	BOLT, 1/4-20 x 1-3/4" Round Head Square Neck, GR 2, YZ
5	2860694	3	NUT, 1/4-20, Hex Flange (Nyloc) YZ
6	7300670A	1	PLATE, Control Panel
7	95050	4	SCREW, #8-16 x 5/8" Recessed Pan Head Twin Helix (Torx) or 7100225
8	7300649BH	2	HANDLE, Connecting, 21"/22" WBM
9	7101410	1	GUIDE, Rope (1/4-20 thread)
10	7035744	2	KNOB, 5/16-18 Wing (5/16-18 thread) (Black)
11	7091189	2	BOLT, 5/16-18 x 2" Curved Head Square Neck, GR 2
12	7090391	2	WASHER, 5/16" Internal Tooth Lock
13	7300628BH	1	HANDLE, Lower, 22" WBM
14	7101395	1	CABLE, Bail, 22" WBM
15	7101202	2	KNOB, Quick Release
16	7101199	2	BUSHING, Handle Pin
17	7101200	2	SPRING, Compression
18	7101198	2	PIN, Handle Adjust
19	7090958	2	BOLT, 5/16-18 x 1-1/2" Round Head Short Square Neck, GR 5 or 7091303
20	7090951	2	NUT, 5/16-18 Large Flange Center Lock
21	7102573	1	GRASS BAG, 22" Rear Discharge or 7101246
22	7101230A	1	BAG FRAME, 22" WBM (Weldment)
23	7026421	1	GRIP, Rectangular (Black)
24	7024649	3	WIRE TIE, 11" Standard Black Nylon

### Footnotes:

# Deck Assembly (Push)



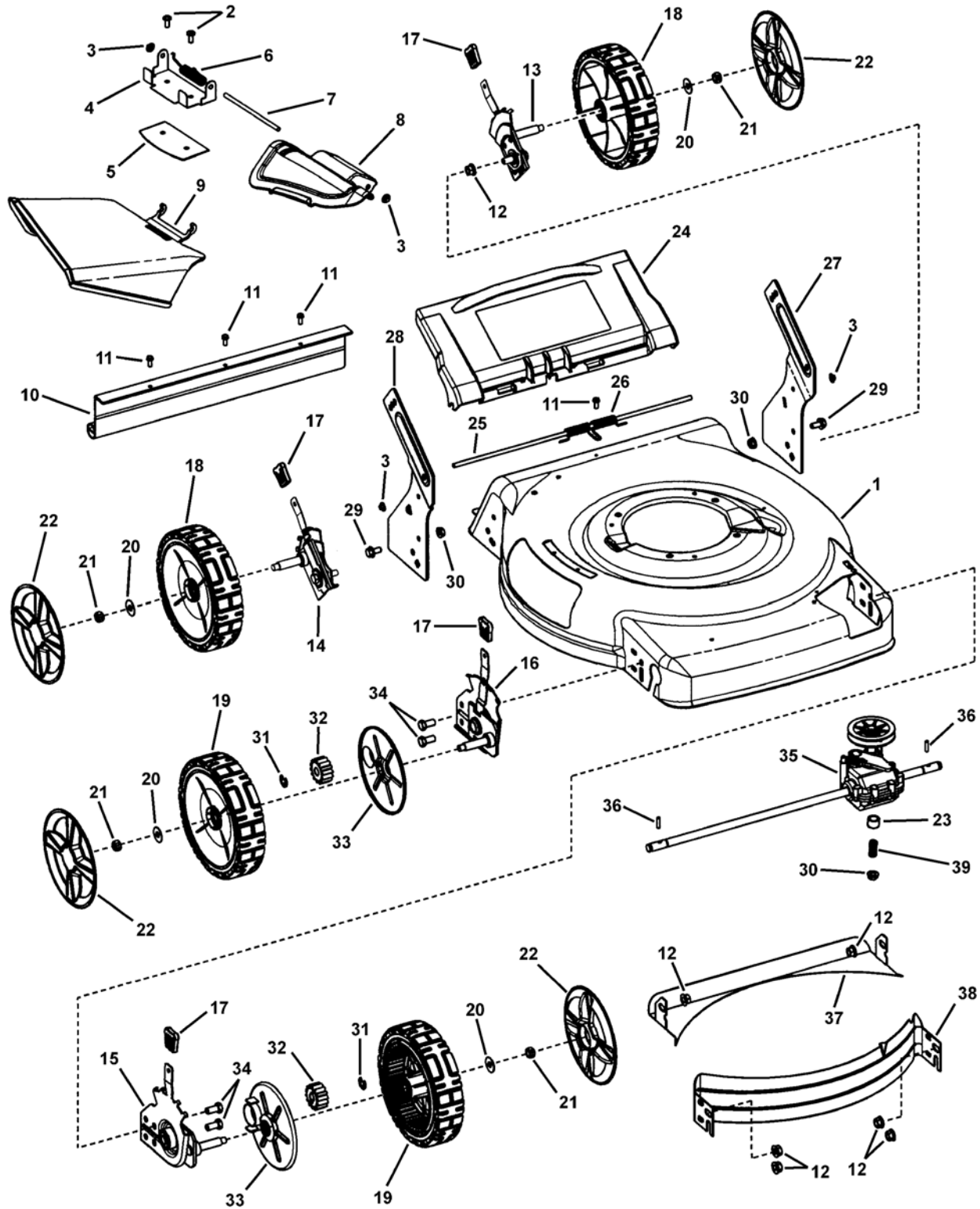


<b>Item</b>	<b>Part No</b>	<b>Qty</b>	<b>Description</b>
1	7300401D	1	DECK, 22" Walk
2	7900067	3	SCREW, 1/4-20 x 11/16" Pan Head Self-Tap (Torx) or 722848
3	7091020	4	PUSHNUT, 1/4"
4	7300855D	1	BRACKET, Chute
5	7300856D	1	PLATE, Mulch, 22" RB Scott's
6	722507	1	SPRING, Chute (Torsion)
7	7101067	1	ROD, Pivot (1/4" Dia. x 5.55")
8	721682	1	COVER, Mulch, Plastic, Black
9	721681	1	SIDE CHUTE, Plastic, Black
10	7103347	1	GUARD, Rear
11	7091286	4	SCREW, #10-24 x 1/2" Hex Washer Self-Tap (Sems)
12	7091619	4	NUT, 3/8-16 Hex Flange Lock, YZ
13	7501055	1	* ASSY, Height-Of-Cut, Left Rear, 22" WBM, Push & Propelled
14	7501056	1	* ASSY, Height-Of-Cut, Right Rear, 22" WBM, Push & Propelled
15	7501294	1	* ASSY, Height-Of-Cut, Left Front, 22" WBM, Push
16	7501293	1	* ASSY, Height-Of-Cut, Right Front, 22" WBM, Push
17	7100633	4	GRIP, Height Latch
18	7500540	4	ASSY, Wheel & Bearing, 8 x 2 Idle, DW Tread incl. two 1-1/8" O.D. Flanged Ball Bearings (p/n 7101380)
19	7300440D	1	BAFFLE, Front, 22" WBM
20	722604	4	WASHER, 1" O.D. x .387 I.D. Flat
21	7091585	4	NUT, 3/8-16 Hex Center Lock, YZ
22	7101350	4	HUBCAP, Black
23	7300854D	1	BAFFLE, Rear, 22" Deck or 725105
24	7101243	1	DOOR, 22" Rear
25	7101070	1	ROD, Pivot, Rear Door (1/4" Dia. X 17-1/2")
26	7101461	1	SPRING, Torsion, Rear Door, 22" WBM
27	7300668BH	1	BRACKET, Lower Handle, RH, 22" WBM
28	7300669BH	1	BRACKET, Lower Handle, LH, 22" WBM
29	7091318	2	BOLT, 5/16-18 x 3/4" Hex Head Cap, GR5
30	7091601	2	NUT, 5/16-18 Flange Lock, YZ

**Footnotes:**

Note: \* This assembly is also shown on Height-of-Cut Assemblies page.

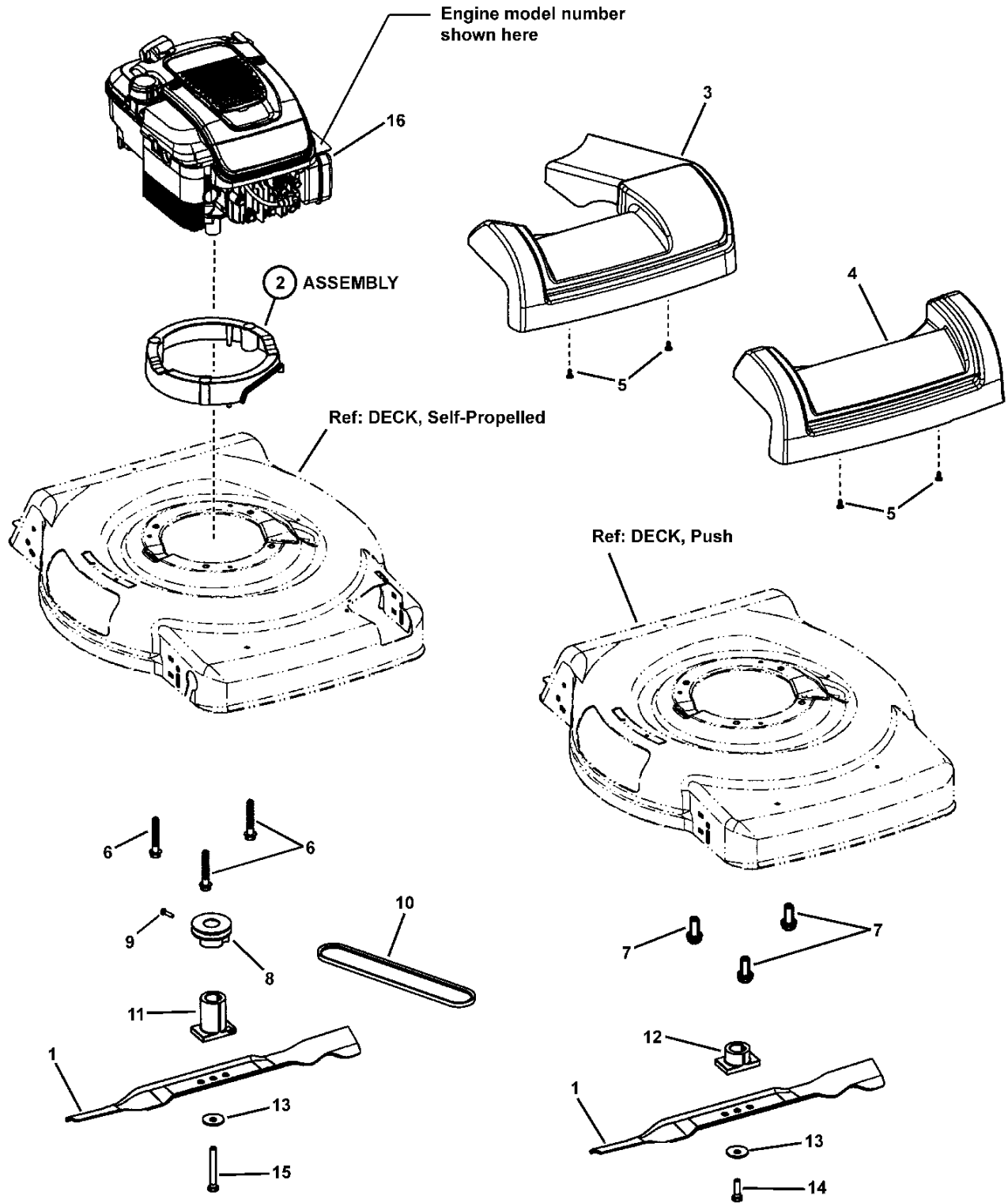
# Deck Assembly (Self-Propelled)



<b>Item</b>	<b>Part No</b>	<b>Qty</b>	<b>Description</b>
1	7300400D	1	DECK, 22" Walk, 3 N 1
2	7900067	3	SCREW, 1/4-20 x 11/16" Pan Head Self-Tap (Torx) or 722848
3	7091020	4	PUSHNUT 1/4"
4	7300855D	1	BRACKET, Chute or 726768
5	7300856D	1	PLATE, Mulch, 22" RB Scott's or 726766
6	722507	1	SPRING, Chute (Torsion)
7	7101067	1	ROD, Pivot (1/4" Dia. x 5.55")
8	721682	1	COVER, Mulch, Plastic, Black
9	721681	1	SIDE CHUTE, Plastic, Black
10	7103347	1	GUARD, Rear or 721685
11	7091286	4	SCREW, #10-24 x 1/2" Hex Washer Self-Tap (Sems)
12	7091619	10	NUT, 3/8-16 Hex Flange Lock, YZ
13	7501055	1	* ASSY, Height-Of-Cut, Left Rear, 22" WBM
14	7501056	1	* ASSY, Height-Of-Cut, Right Rear, 22" WBM
15	7501058	1	* ASSY, Height-Of-Cut, LF, 22" WBM, Propelled
16	7501057	1	* ASSY, Height-Of-Cut, RF, 22" WBM, Propelled
17	7100633	4	GRIP, Height Latch
18	7500540	2	ASSY, Wheel & Bearing, 8 x 2 Idle, DW Tread incl. two 1-1/8" O.D. Flanged Ball Bearings (p/n 7101380)
19	7500542	2	ASSY, Drive Wheel & Bearing, 8 x 2, DW Tread incl. two 1-1/8" O.D. Flanged Ball Bearings (p/n 7101380)
20	722604	4	WASHER, 1" O.D. x .387 I.D. Flat
21	7091585	4	NUT, 3/8-16 Hex Center Lock, YZ
22	7101350	4	HUBCAP, Black
23	7102671	1	SPACER, .526" ID, .840" OD, .502" Wide (Was 720508)
24	7101243	1	DOOR, 22" Rear
25	7101070	1	ROD, Pivot, Rear Door (1/4" Dia. X 17-1/2")
26	7101461	1	SPRING, Torsion, Rear Door, 22" WBM
27	7300668BH	1	BRACKET, Lower Handle, RH, 22" WBM
28	7300669BH	1	BRACKET, Lower Handle, LH, 22" WBM
29	7091811	2	BOLT, 5/16-18 x 5/8" Hex Flange Lock, YZ
30	7091601	3	NUT, 5/16-18 Flange Lock, YZ
31	7014341	4	RING, External Retaining (Waldes 5133-50)
32	7101207	2	GEAR, Pinion, 22" WBM, Front Wheel Drive
33	7101402	2	DUST SHIELD, Forward, 22" WBM
34	7900054	4	SCREW, 3/8-16 x 3/4" Hex Head Cap, GR 5, YZ
35	7101206	1	TRANSMISSION, 22" WBM Single Speed, Front Wheel Drive used on SP2265 & NSP22656
36	7101270	2	DRIVE PIN, 22" WBM, Front Wheel Drive
37	7300854D	1	BAFFLE, Rear, 22" Deck or 725105
38	7300440D	1	BAFFLE, Front, 22" WBM
39	722410	1	SPRING, Compression

**Footnotes:**

Note: \* This assembly is also shown on Height-of-Cut Assemblies page.



<b>Item</b>	<b>Part No</b>	<b>Qty</b>	<b>Description</b>
1	7100851	1	BLADE, 22", Walk Mower
2	7101449	1	ASSEMBLY, Engine Spacer, 22" WBM, Self-Propelled Includes 7101209 (spacer) & 7101448 (3) (bushings)
3	7101195	1	FRONT DECK COVER, 22" Front Wheel Drive
4	7101310	1	FRONT DECK COVER, Rear Discharge WBM
5	7900018	2	SCREW, 4.8 x 1.59 x 13mm, Round Washer Head Hi-Lo (Torx)
6	720351	3	BOLT, 3/8-16 NS x 2-1/2"
7	7090324	3	SCREW, 3/8-16 x 1" Hex Washer Self-Tap
8	7100763	1	PULLEY, Engine, 22" Deck, Single Speed
9	722884	1	SCREW, #8-11 x 5/8" Poly
10	7101193	1	** BELT, Drive (3L Section, 33.75" effective length)
11	7100740	1	BLADE HUB, 22" Deck, Self Propelled
12	7100862	1	BLADE HUB, 22" Deck, Push
13	721890	1	WASHER, .38" I.D. x 1.183 O.D. Bellville
14	7090824	1	SCREW, 3/8-24 x 1-1/4" Hex Head Cap, GR 5 used on push models
15	720209	1	BOLT, 3/8-24 x 3-1/4" Hex Head, GR 8 used on self-propelled models
16	124T02-0650-B3	1	* ENGINE, B&S, 650 Series X-Spec (used on 7800165 & 7800189 models)
16	124L02-0650-F3	1	* ENGINE, B&S, 650 Series X-Spec (used on 7800228 & 7800229 models)
16	124L02-4650-F3	1	* ENGINE, B&S, 650 Series X-Spec (used on 7800418 & 7800419 models)
16	126T02-0675-B3	1	* ENGINE, B&S, 675 Series X-Spec (used on 7800604 model)
16	126T02-0675-B3	1	* ENGINE, B&S, 675 Series X-Spec (used on 7800605 model)
16	126L02-4675-F3	1	* ENGINE, B&S, 675 Series X-Spec (used on 7800607 & 7800608 models)

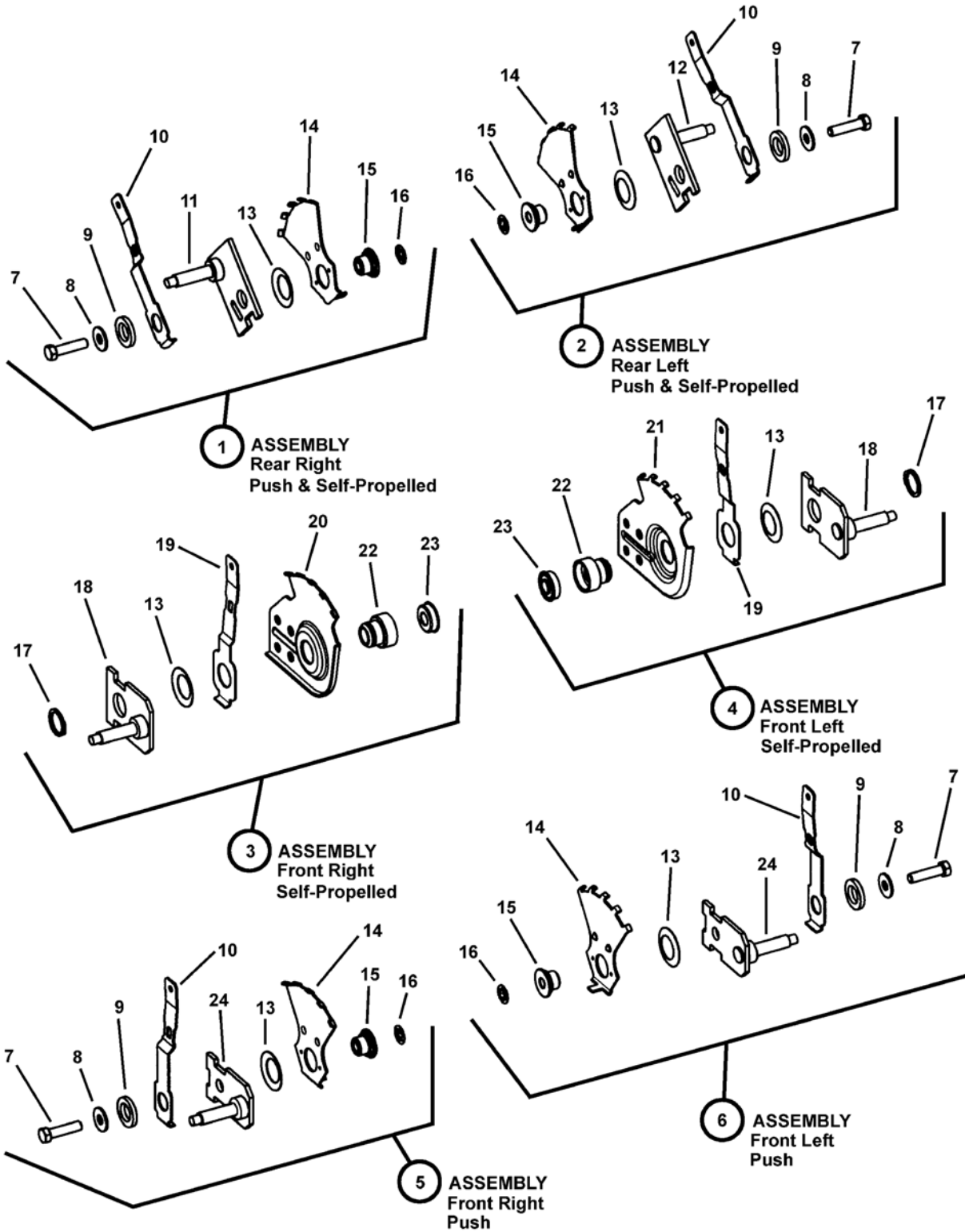
Not for  
Reproduction

**Footnotes:**

NOTE: \* Purchase engine parts from engine manufacturer dealer.

NOTE: \*\* Part number appears on belt.

# Height-of-Cut Assemblies



<b>Item</b>	<b>Part No</b>	<b>Qty</b>	<b>Description</b>
1	7501056	1	* ASSY, Height-Of-Cut, Right Rear, 22" WBM, Push & Propelled
2	7501055	1	* ASSY, Height-Of-Cut, Left Rear, 22" WBM, Push & Propelled
3	7501057	1	* ASSY, Height-Of-Cut, RF, 22" WBM, Propelled
4	7501058	1	* ASSY, Height-Of-Cut, LF, 22" WBM, Propelled
5	7501293	1	* ASSY, Height-Of-Cut, Right Front, 22" WBM, Push
6	7501294	1	* ASSY, Height-Of-Cut, Left Front, 22" WBM, Push
7	7091497	1	SCREW, 3/8-16 x 1-1/2" Hex Head Cap, GR 5, YZ
8	7900047	1	WASHER, .391 x 1" x 14 Ga. Flat
9	7900046	1	WASHER, .76 x 1.25 x .180 Flat
10	7101205	1	LEVER, Height-Of-Cut, 22" WBM
11	7500409	1	ASSY, Rear Axle, RH 22" WBM
12	7500408	1	ASSY, Rear Axle, LH 22" WBM
13	722611	1	WASHER, 1" I.D. x 1.64 O.D. Bellville
14	7300529	1	INDEX PLATE, Height-Of-Cut, Rear
15	721899	1	SPACER, Height Adjust
16	7013847	1	RETAINER, 3/8" Bolt
17	720118	1	RING, .906 I.D. x .078 Thick, External Retaining
18	7500404	1	ASSY, Front Axle 22", Propelled
19	7101212	1	LEVER, Height-Of-Cut, 22" WBM
20	7300528	1	INDEX PLATE, Height-Of-Cut, Front Right, 22" WBM
21	7300527	1	INDEX PLATE, Height-Of-Cut, Front Left, 22" WBM
22	720685	1	RETAINER, Bearing
23	720761	1	BALL BEARING, 1/2 I.D. x 1-1/8" O. D. Flanged w/seal
24	7500476	1	ASSY, Front Axle, 22" WBM, Push

**Footnotes:**

Note: \* This assembly is also shown on Deck Assembly page.





---

<b>Item</b>	<b>Part No</b>	<b>Qty</b>	<b>Description</b>
1	7102153	1	DECAL, Briggs Engine, Snapper
2	7101537	1	DECAL, Front Cover, 22" Snapper, Push
3	7101538	1	DECAL, Front Cover, 22" Snapper, Front Wheel Drive
4	7102152	1	DECAL, Briggs Engine, 650 Series
5	7102151	1	DECAL, Briggs Engine, 675 Series
6	7102303	1	DECAL, Control Head, Single Speed, Snapper
7	7101394	1	DECAL, Warning, Rear Discharge Door
8	7102746	1	DECAL, Spark Arrestor
9	7102275	1	DECAL, Customer Service, MY08, Snapper
10	7013010	1	DECAL, Danger, Cut Finger

Not for  
Reproduction

**Footnotes:**

Not for  
Reproduction

# Hardware Identification & Torque Specifications

Torque Specification Chart FOR STANDARD METRIC MACHINE HARDWARE (Tolerance ± 20%)								
Property Class	5.6		8.8		10.9		12.9	
	Class 5.6		Class 8.8		Class 10.9		Class 12.9	
Size Of Hardware	in/lbs ft/lbs		in/lbs ft/lbs		in/lbs ft/lbs		in/lbs ft/lbs	
		Nm.		Nm.		Nm.		Nm.
M3	5.88	.56	13.44	1.28	19.2	1.80	22.92	2.15
M4	13.44	1.28	30.72	2.90	43.44	4.10	52.56	4.95
M5	26.4	2.50	60.96	5.75	5.97	8.10	7.15	9.7
M6	44.64	4.3	7.3	9.9	10.3	14	12.1	16.5
M7	5.2	7.1	12.1	16.5	16.9	23	19.9	27
M8	7.7	10.5	17.7	24	25	34	29	40
M10	15	21	35	48	50	67	59	81
M12	26	36	61	83	86.2	117	103	140
M14	42	58	101	132	136	185	162	220
M16	64	88	147	200	210	285	250	340
M18	89	121	202	275	287	390	346	470
M20	126	171	290	390	405	550	486	660
M22	169	230	390	530	559	745	656	890
M24	217	295	497	375	708	960	840	1140
M27	320	435	733	995	1032	1400	1239	1680
M30	435	590	995	1350	1401	1900	1681	2280
M33	590	800	1349	1830	1902	2580	2278	3090
M36	759	1030	1740	2360	2441	3310	2935	3980
M39	988	1340	2249	3050	3163	4290	3798	5150

Torque Specification Chart FOR STANDARD MACHINE HARDWARE (Tolerance ± 20%)						
Hardware Grade	No Marks		SAE Grade 5		SAE Grade 8	
	SAE Grade 2		SAE Grade 5		SAE Grade 8	
Size Of Hardware	in/lbs ft/lbs		in/lbs ft/lbs		in/lbs ft/lbs	
		Nm.		Nm.		Nm.
8-32	19	2.1	30	3.4	41	4.6
8-36	20	2.3	31	3.5	43	4.9
10-24	27	3.1	43	4.9	60	6.8
10-32	31	3.5	49	5.5	68	7.7
1/4-20	66	7.6	8	10.9	12	16.3
1/4-28	76	8.6	10	13.6	14	19.0
5/16-18	11	15.0	17	23.1	25	34.0
5/16-24	12	16.3	19	25.8	29	34.0
3/8-16	20	27.2	30	40.8	45	61.2
3/8-24	23	31.3	35	47.6	50	68.0
7/16-14	30	40.8	50	68.0	70	95.2
7/16-20	35	47.6	55	74.8	80	108.8
1/2-13	50	68.0	75	102.0	110	149.6
1/2-20	55	74.8	90	122.4	120	163.2
9/16-12	65	88.4	110	149.6	150	204.0
9/16-18	75	102.0	120	163.2	170	231.2
5/8-11	90	122.4	150	204.0	220	299.2
5/8-18	100	136	180	244.8	240	326.4
3/4-10	160	217.6	260	353.6	386	525.0
3/4-16	180	244.8	300	408.0	420	571.2
7/8-9	140	190.4	400	544.0	600	816.0
7/8-14	155	210.8	440	598.4	660	897.6
1-8	220	299.2	580	788.8	900	1,244.0
1-12	240	326.4	640	870.4	1,000	1,360.0

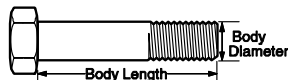
The guides and ruler furnished below are designed to help you select the appropriate hardware.



Nut, M8

Thread Diameter (mm)  
Inside Diameter (in)  
Threads per inch

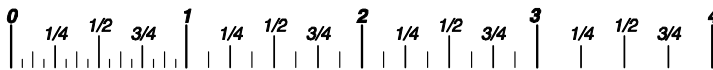
Nut, 1/2-16



Screw, M8- 1.25 x 25

Thread Diameter (mm)  
Body Diameter  
Distance between threads (mm)  
Threads per inch  
Body Length (mm)  
Body Length (in)

Screw, 1/2- 16 x 2



## Standard Hardware Sizing

When a washer or nut is identified as 1/2" (M8), this is the *Nominal size*, meaning the *inside diameter* is 1/2 inch (8mm metric thread diameter); if a second number is present it represents the *threads per inch* (distance between threads).

When bolt or capscrew is identified as 1/2 - 16 x 2" (M8 - 1.25 x 50 ), this means the *Nominal size*, or body diameter is 1/2 inch (8mm metric thread diameter), the second number, 16, represents the *threads per inch*, (1.25 thread diameter). The final number is the body length of the bolt or screw, 2 inches (50mm).

## NOTES

- These torque values are to be used for all hardware excluding: locknuts, self-tapping screws, thread forming screws, sheet metal screws and socket head setscrews.
- Recommended seating torque values for locknuts:
  - for prevailing torque locknuts - use 65% of grade5 torques.
  - for flange whizlock nuts and screws - use 135% of grade 5 torques.
- Unless otherwise noted on assembly drawings, all torque values must meet this specification.

## Common Hardware Types

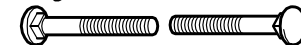
Hex Head Capscrew



Washer

Lockwasher

Carriage Bolt



Hex Nut

## Wrench & Fastener Size Guide

1/4" Bolt or Nut Wrench—7/16"	5/16" Bolt or Nut Wrench—1/2"	3/8" Bolt or Nut Wrench—9/16"	7/16" Bolt or Nut Wrench (Bolt)—5/8" Wrench (Nut)—11/16"	1/2" Bolt or Nut Wrench—3/4"
M6 Bolt or Nut Wrench—10mm	M8 Bolt or Nut Wrench—13mm	M10 Bolt or Nut Wrench—17mm	M12 Bolt or Nut Wrench—19mm	M14 Bolt or Nut Wrench—22mm

**Parts Manual for**

# **SNAPPER®**

## **22" STEEL DECK WALK BEHIND MOWERS**

Not for  
Reproduction

IT IS THE POLICY OF BRIGGS & STRATTON CORP. TO IMPROVE ITS PRODUCTS WHENEVER IT IS POSSIBLE AND PRACTICAL TO DO SO. WE RESERVE THE RIGHT TO MAKE CHANGES OR ADD IMPROVEMENTS AT ANY TIME WITHOUT INCURRING ANY OBLIGATION TO MAKE SUCH CHANGES ON PRODUCTS MANUFACTURED

**Briggs & Stratton Yard Power Products Group**

535 Macon Road  
McDonough, GA, 30253 U.S.A.  
800-935-2967

[www.snapper.com](http://www.snapper.com)

Copyright © 2011 Briggs & Stratton Corporation  
Milwaukee, WI USA. All Rights Reserved

**Manual No. 7006258**  
**Revision: E 3/25/2011**