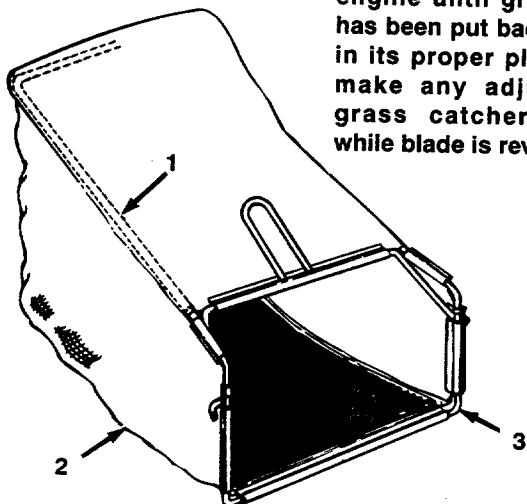


# OWNER'S GUIDE

## GRASS CATCHER



**WARNING:** Always stop engine before removing grass catcher. Do not restart engine until grass catcher has been put back on mower in its proper place. Do not make any adjustment to grass catcher assembly while blade is revolving.



### Model Numbers

**190-088-000** (for 21" Mower)

**190-098-000** (for 19" Mower)

### PARTS LIST FOR MODELS 088 AND 098 GRASS CATCHERS

REF. NO.	Model 088 (21" Mower) Part No.	Model 098 (19" Mower) Part No.	DESCRIPTION
1	764-0310	764-0325	Rear Catcher Frame
2	764-0309	764-0446	Grass Bag
3	764-0311	764-0326	Front Catcher Frame

NOTE: Specifications subject to change without notice or obligation.

### ASSEMBLY OF GRASS CATCHER

NOTE: Make certain the grass bag is turned right side out before assembling (warning label will be on the outside).

1. Join the rear frame and front frame assembly as shown in figure 1A.
2. Place bag over frame (black plastic side is the bottom of bag). Slip the openings in the side of the plastic channel on bag over the hooks on the grass catcher frame.
3. Secure bag to frame by working the plastic channels on bag over frame as shown in figure 1B. All of the plastic channels except center top of bag attach from the outside of bag. Center top of bag attaches from the inside of bag.

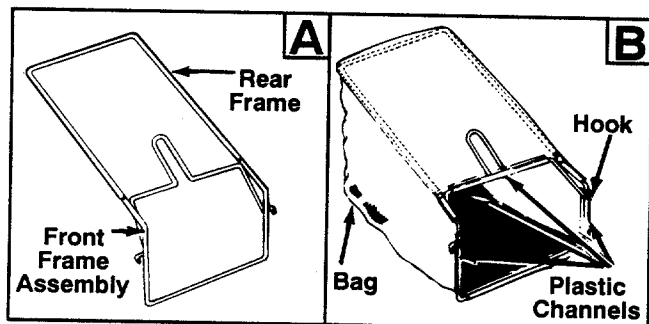


FIGURE 1.

### To attach the grass catcher:

1. Lift the rear discharge door on the mower.
2. Place the hooks on the grass catcher into the slots in the handle bracket assemblies. See figure 2. Release the rear discharge door.

To remove the grass catcher, lift the rear discharge door on the mower. Lift the grass catcher up, out of the slots in the handle bracket assemblies. Release the rear discharge door.



**WARNING:** Never operate the mower unless the hooks on the grass catcher are seated in the slots on the handle bracket assemblies, and the rear discharge door rests firmly against the top of the grass catcher.

NOTE: Under normal usage bag material is subject to wear and should be checked periodically. Be sure to use only factory authorized replacement bag.

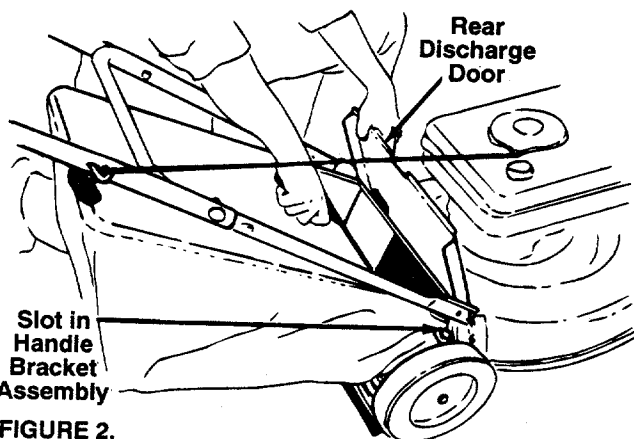


FIGURE 2.

**For Replacement Parts, Contact:**  
**SERVICE DEPARTMENT • P.O. BOX 368022 • CLEVELAND, OHIO 44136-9722**