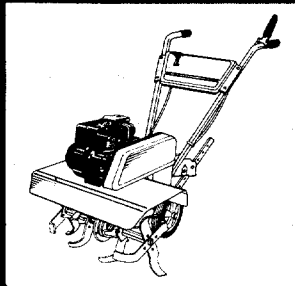


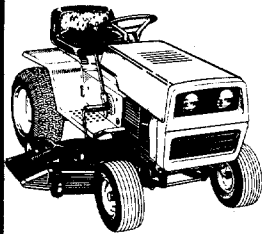
OWNER'S GUIDE

OUTDOOR POWER EQUIPMENT
for all seasons

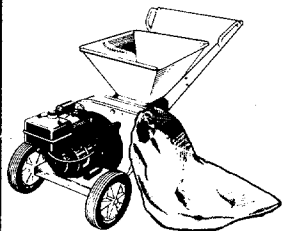
Spring



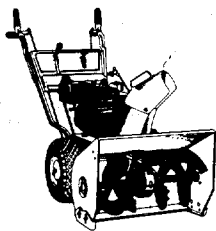
Summer



Fall



Winter



21" REAR DISCHARGE ROTARY MOWER

Model Number 116-312-000

Important:
Read Safety Rules and
Instructions Carefully

Thank you for purchasing
an American-built product.

INDEX

Safe Operation Practices	3	Maintenance	12
Assembly	4	Off-Season Storage	13
Controls	9	Trouble Shooting Chart	15
Operation	9	Illustrated Parts	16
Adjustments	11	Repair Parts List	17
Lubrication	11	Parts Information	Back Cover



Instructions given with this symbol are for personal safety. Be sure to follow them.

LIMITED WARRANTY

For one year from the date of original retail purchase, MTD PRODUCTS INC will either repair or replace, at its option, free of charge, F.O.B. factory or authorized service firm, any part or parts found to be defective in material or workmanship. Transportation charges for the movement of any power equipment unit or attachment are the responsibility of the purchaser. Transportation charges for any parts submitted for replacement under this warranty must be paid by the purchaser unless such return is requested by MTD PRODUCTS INC.

This warranty will not apply to any part which has become inoperative due to misuse, excessive use, accident, neglect, improper maintenance, alterations, or unless the unit has been operated and maintained in accordance with the instructions furnished. This warranty does not apply to the engine, motor, battery, battery charger or component parts thereof. Please refer to the applicable manufacturer's warranty on these items.

This warranty will not apply where the unit has been used commercially.

Warranty service is available through your local authorized service dealer or distributor. If you do not know the dealer or distributor in your area, please write to the Customer Service Department of MTD.

The return of a complete unit will not be accepted by the factory unless prior written permission has been extended by MTD.

This warranty gives you specific legal rights. You may also have other rights which vary from state to state.



This unit is equipped with an internal combustion engine and should not be used on or near any unimproved forest-covered, brush-covered or grass-covered land unless the engine's exhaust system is equipped with a spark arrester meeting applicable local or state laws (if any). If a spark arrester is used, it should be maintained in effective working order by the operator.

In the State of California the above is required by law (Section 4442 of the California Public Resources Code). Other states may have similar laws. Federal laws apply on federal lands. A spark arrester muffler is available at your nearest engine authorized service center.



WARNING

To reduce the potential for any injury, comply with the following safety instructions. Failure to comply with the instructions may result in personal injury.

SAFE OPERATION PRACTICES FOR WALK-BEHIND MOWERS

TRAINING

1. Read this owner's manual carefully in its entirety before attempting to assemble or operate this machine. Be completely familiar with the controls and the proper use of this machine before operating it. Keep this manual in a safe place for future and regular reference and for ordering replacement parts.
2. Your rotary mower is a precision piece of power equipment, not a plaything. Therefore, exercise extreme caution at all times.
3. Never allow children to operate a power mower. Only persons well acquainted with these rules of safe operation should be allowed to use your mower.
4. No one should operate this unit while intoxicated or while taking medication that impairs the senses or reactions.
5. Keep the area of operation clear of all persons, particularly small children and pets. Stop engine when they are in the vicinity of your mower. Although the area of operation should be completely cleared of foreign objects, an object may have been overlooked and could be accidentally thrown by the mower in any direction and cause serious personal injury to the operator or any others allowed in the area.

PREPARATION

1. Thoroughly inspect the area where the equipment is to be used. Remove all stones, sticks, wire, bones and other foreign objects which could be picked up and thrown by the mower in any direction and cause serious personal injury to the operator or any others allowed in the area.
2. Do not operate equipment when barefoot or wearing open sandals. Always wear substantial footwear.
3. Do not wear loose fitting clothing that could get caught on the mower.
4. Check the fuel before starting the engine. Gasoline is an extremely flammable fuel. Do not fill the gasoline tank indoors, while the engine is running, or while the engine is still hot. Replace gasoline cap securely and wipe off any spilled gasoline before starting the engine as it may cause a fire or explosion.
5. Disengage the self-propelled mechanism or drive clutch on units so equipped before starting the engine.
6. The blade control handle is a safety device. Never attempt to bypass its operation. Doing so makes the safety device inoperative and may result in personal injury through contact with the rotating blade. The blade control handle must operate easily in both directions.
7. Never attempt to make a wheel or cutting height adjustment while the engine is running.
8. Mow only in daylight or in good artificial light.
9. Never operate the equipment in wet grass. Always be sure of your footing. A slip and fall can cause serious personal injury. Keep a firm hold on the handle and walk, never run.

10. Always wear safety glasses or eye shields during operation or while performing an adjustment or repair, to protect eyes from foreign objects that may be thrown from the machine in any direction.

OPERATION

1. Do not change the engine governor settings or over-speed the engine. Excessive engine speeds are dangerous.
2. Do not put hands or feet near or under rotating parts. Keep clear of the discharge opening at all times as the rotating blade can cause injury.
3. Stop the blade when crossing gravel drives, walks or roads.
4. After striking a foreign object, stop the engine, remove the wire from the spark plug, and thoroughly inspect the mower for any damage. Repair the damage before restarting and operating the mower.
5. If the equipment should start to vibrate abnormally, stop the engine and check immediately for the cause. Vibration is generally a warning of trouble.
6. Shut the engine off and wait until the blade comes to a complete stop before removing the grass catcher or unclogging the chute. The cutting blade continues to rotate for a few seconds after the engine is shut off. Never place any part of the body in the blade area until you are sure the blade has stopped rotating.
7. Before cleaning, repairing or inspecting, make certain the blade and all moving parts have stopped. Disconnect the spark plug wire, and keep the wire away from the spark plug to prevent accidental starting.
8. Do not run the engine indoors.
9. Mow across the face of slopes, never up-and-down. Exercise extreme caution when changing direction on slopes. Do not mow excessively steep slopes. Always be sure of your footing. A slip and fall can cause serious personal injury.
10. Always disconnect electric mowers (line operated) before cleaning, repairing or adjusting.
11. Never operate mower without proper guards, plates or other safety protective devices in place.
12. **DO NOT OPERATE** this mower with the chute door open, unless the complete grass catcher is properly mounted on the mower.

MAINTENANCE AND STORAGE

1. Check the blade and engine mounting bolts at frequent intervals for proper tightness.
2. Keep all nuts, bolts, and screws tight to be sure the equipment is in safe working condition.
3. Never store the equipment with gasoline in the tank inside of a building where fumes may reach an open flame or spark. Allow the engine to cool before storing in any enclosure.
4. To reduce fire hazard, keep the engine free of grass, leaves, or excessive grease.
5. Check the grass catcher bag frequently for wear or deterioration. For safety protection, replace only with new bag meeting original equipment specifications.

NOTE

This unit is shipped WITHOUT GASOLINE or OIL. After assembly, see separate engine manual for proper fuel and engine oil recommendations.

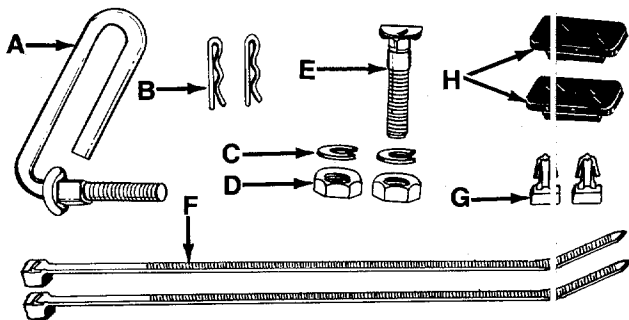


FIGURE 1.

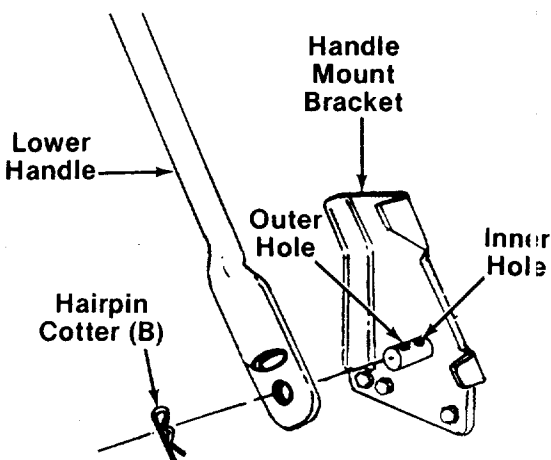


FIGURE 2.

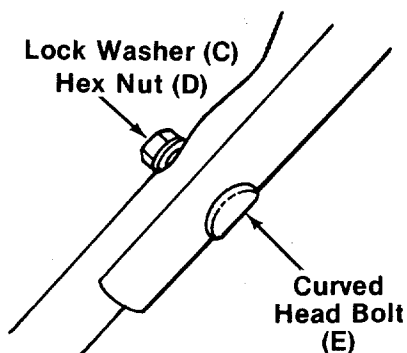


FIGURE 3.

ASSEMBLY INSTRUCTIONS

NOTE

Reference to right or left hand side of the mower is observed from the operating position.

Contents of hardware pack: (See figure 1)

- A (1) Rope Guide Bolt
- B (2) Hairpin Cotter
- C (2) Lock Washers 5/16" I.D.
- D (2) Hex Nuts 5/16-18 Thread
- E (1) Curved Head Carriage Bolt
- F (2) Cable Ties
- G (2) Cable Anchors
- H (2) Plastic Plugs
- I (1) Cable Clamp (Not Shown)

1. Remove lawn mower and loose parts from carton. Make certain all parts and literature have been removed from the carton before the carton is discarded.
2. Extend the throttle control cable (attached to the upper handle) and the brake cable (attached to the engine) and place on the floor. Be careful not to bend or kink control cables.
3. Attach the lower handle by placing the bottom holes in the lower handle over the weld pins on the handle mount brackets. Make certain the instruction label on the lower handle can be read from the operating position. Secure with hairpin cotten (B) in inner holes on weld pins. See figure 2.

NOTE

There are two (2) holes in the handle mount brackets. Place the hairpin cotter in the inner hole for operation. Outer hole is for storage.

NOTE

It may be necessary to bend the ends of the lower handle inward slightly to obtain a tight fit against the handle mount brackets.

4. Place the upper handle in position over the lower handle. The control housing must be on the left hand side of the handle. Secure the left hand side of upper handle using the curved head bolt (E), lock washer (C) and hex nut (D) as shown in figure 3.

NOTE

The right hand side of the handle will be secured with the rope guide bolt. However, left handed operators may assemble the rope guide bolt to the left side of the handle for easier starting.

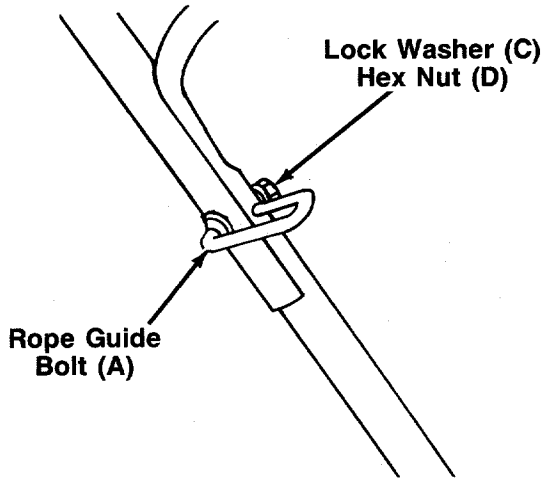


FIGURE 4.

5. Insert the rope guide bolt (A) through the right hand side of upper and lower handle. See figure 4. Secure with lock washer (C) and hex nut (D), finger tight only.

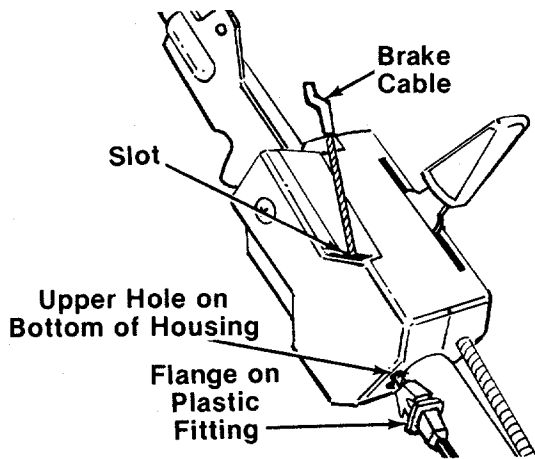


FIGURE 5.

6. Route the brake cable under the lower handle. Place the end of the brake cable into the upper hole on the bottom of the control housing, and through the slot in the side of the housing as shown in figure 5. The angle of the flange on the plastic fitting must be positioned downward as shown. Be careful not to bend or kink the cable.



Brake cable must be assembled as shown for proper blade brake operation.

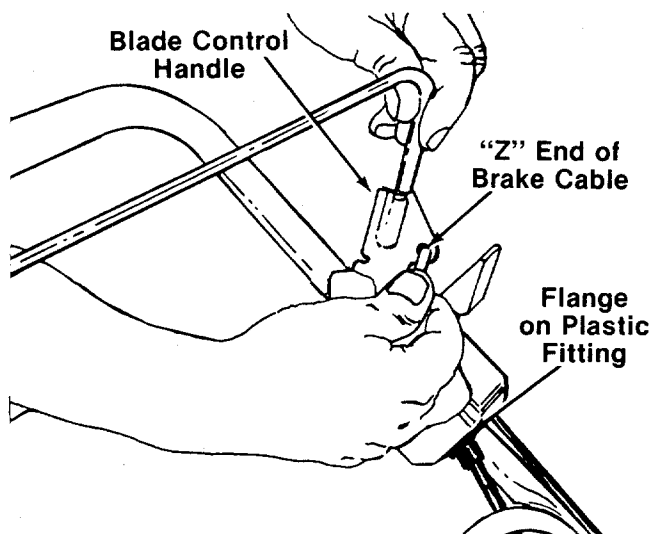


FIGURE 6.

7. Snap the plastic fitting on the end of the cable into the control housing. Hook the "Z" end of the brake cable into the hole in the blade control handle. See figure 6.
8. The starter rope is wound around the starter handle. Maintain the tension on the rope as you unwind it.

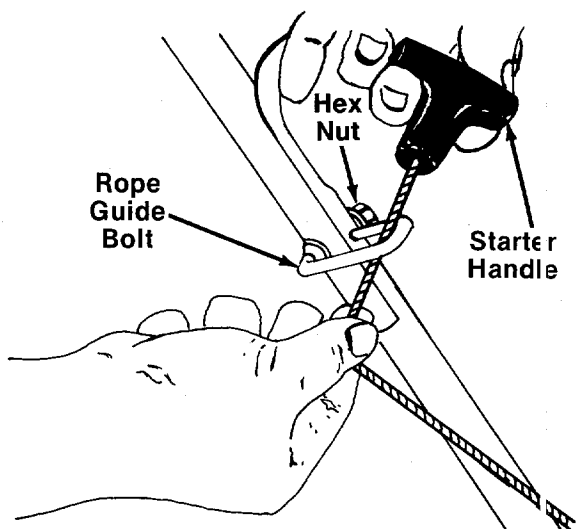


FIGURE 7.

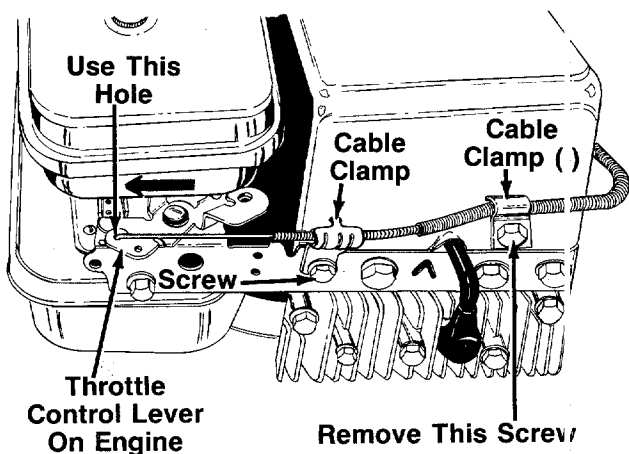


FIGURE 8.

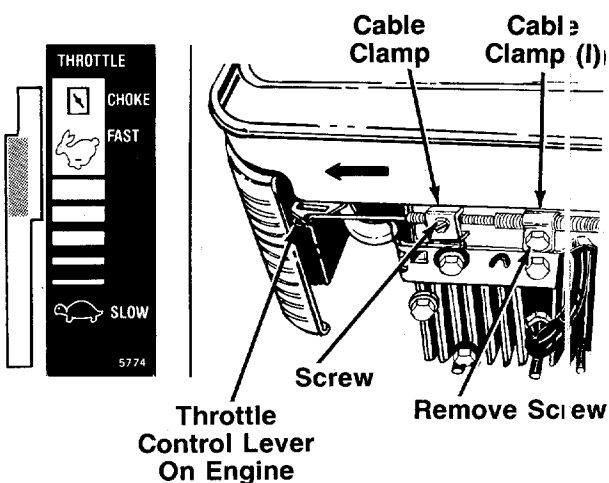


FIGURE 8A.

9. Slip the starter rope into the rope guide bolt as shown in figure 7. If more slack is needed in the starter rope, disconnect and ground the spark plug wire. Depress the blade control handle and pull additional rope out from the engine.

10. Tighten the hex nut on the rope guide bolt securely.

Steps 11 through 15 are for standard Briggs and Stratton engines. If your unit is equipped with a deluxe Briggs and Stratton engine (see figure 8A), follow steps 11A through 15A.

Standard Engines:

11. Place the throttle control lever on the handle in FAST position.

12. Route the throttle control cable under the lower handle and inside the handle mount bracket. Hook the "Z" end of the throttle control cable into the outside hole in the control lever on the engine.

13. Using a 7/16" wrench, remove the screw on the engine shown in figure 8.

14. Remove the screw on the cable clamp shown in figure 8. Slip the control casing under the clamp. Replace the screw, but do not tighten (cable must still move freely beneath the clamp).

15. Push the throttle control lever on the engine to the full open position (as far toward the outside of the unit as it will go) as shown in figure 8. Tighten the screw to secure the throttle control cable in this position.

Deluxe Engines:

11A. Move throttle control lever on handle forward until it stops in FAST position (do not push all the way forward to CHOKE position). See figure 8A.

12A. Route the throttle control cable under the lower handle and inside the handle mount bracket. Hook the "Z" end of the throttle control cable into the hole in the control lever on the engine.

13A. Using a 7/16" wrench, remove the screw on the engine shown in figure 8A.

14A. Remove the screw on the cable clamp shown in figure 8A. Slip the control casing under the clamp. Replace the screw, but do not tighten (cable must still move freely beneath the clamp).

15A. Slide the throttle control lever on the engine as far toward the outside of the engine as it will go easily (just until resistance is felt) as shown in figure 8A. (Do not force it into the extreme outside position, which is the CHOKE position.) Tighten the screw to secure the throttle control cable in this position.

All Units:

16. Loosen the screw on the clamp on the side of the engine. Secure the cable away from the muffler. Be careful not to bend or kink the cable. Tighten the screw.

17. Secure cable casing to the front of engine with cable clamp (I) provided in hardware pack and screw removed from engine in step 13 (or 13A). Do not overtighten.

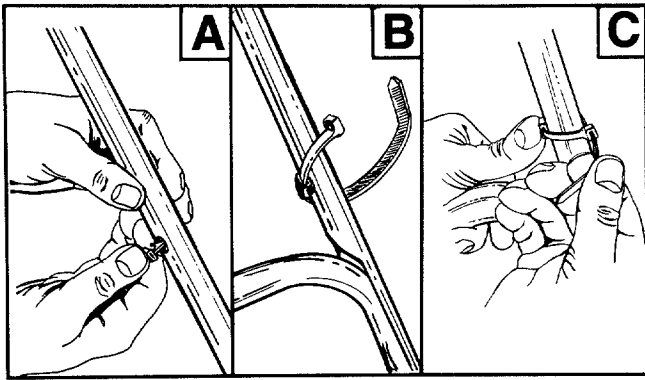


FIGURE 9.

18. Secure brake and throttle cables to the left side of the handle as follows.

A. Insert plastic cable anchors (G) into holes provided on the inside of the lower handle, one near the top and one near the bottom of lower handle. See figure 9A.

B. Slip cable ties (F) through cable anchors so the teeth in the cable tie will be against the handle (smooth side is away from the handle). See figure 9B.

C. Secure the cables with the cable ties. See figure 9C.

D. Cut off excess ends of cables ties.

19. Insert plastic plugs (H) into holes in the top rear of the deck by slipping one end of plug into hole, then pressing down on the other end of plug.

20. Check all nuts and bolts for correct tightness.

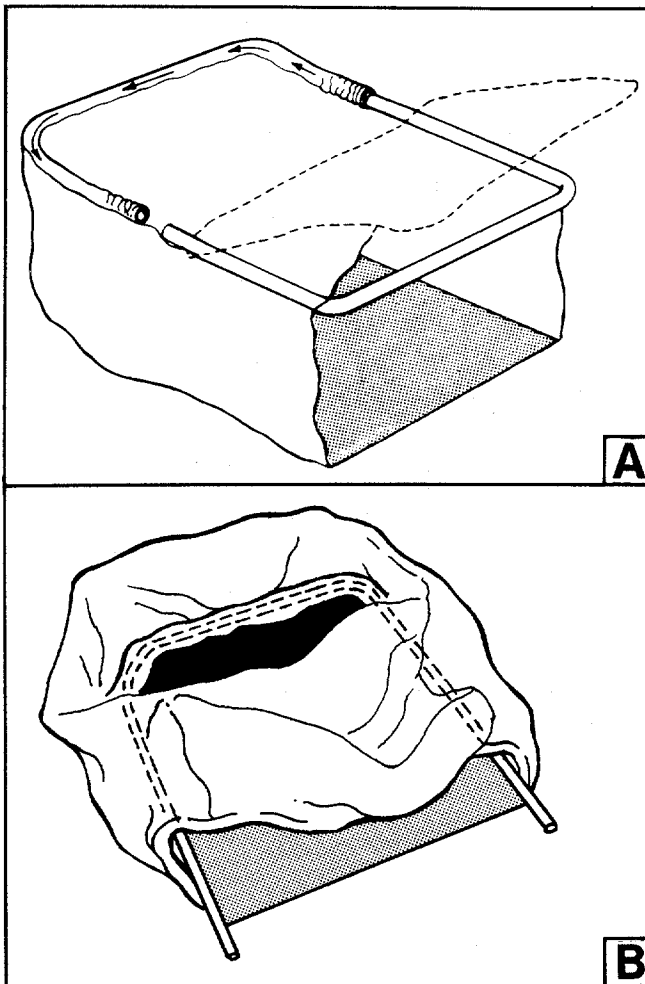


FIGURE 10—Bag with Flip Top Opening.

Grass Catcher Assembly

There are two different types of grass bags, bags with and without flip top openings. Follow the instructions which pertain to your unit.

1. Grass Bags with Flip Top Opening:

a. Attach bag to rear frame by inserting one end of frame into pocket from inside bag. See figure 10A.

b. Thread all material on one side of frame before working it around the frame.

c. After threading, both ends of frame should be inside the bag. See figure 10B.

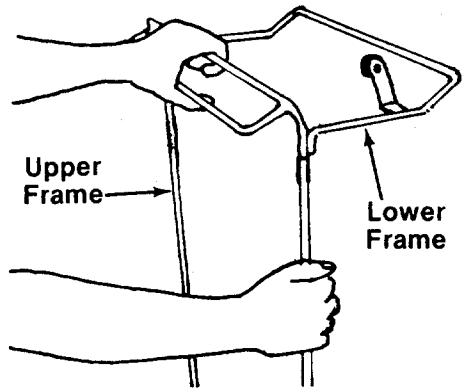


FIGURE 11.

2. Join the upper frame and lower frame assembly as shown in figure 11.

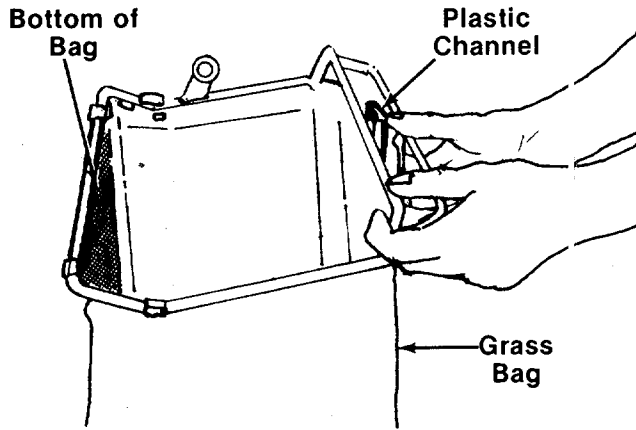


FIGURE 12.

3. Grass Bags without Flip Top Opening: Place bag over frame (black plastic side is the bottom of bag). Upper frame goes to the top of bag.
4. Secure bag to frame by slipping plastic channels on bag over frame. See figure 12.
5. Grass Bags with Flip Top Opening: Close top of bag by stretching loose material over the end of the frame.



WARNING

Never operate the mower with the bag open.

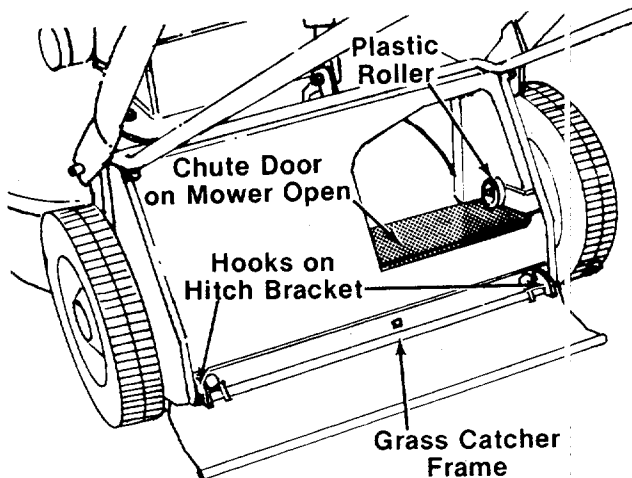


FIGURE 13.

To Attach Bag To Mower



WARNING

DO NOT operate the mower with the chute door open unless the complete grass catcher is properly mounted on the mower.

1. Attach the grass catcher frame to grass catcher hitch bracket on rear of the mower by hooking grass catcher into hooks on grass catcher hitch bracket. See figure 13.
2. Lift the rear of grass catcher up. The roller on the grass catcher will push the chute door on the mower open. See figure 13.



NOTE

Figure 13 is shown with the chute door open for clarity only.

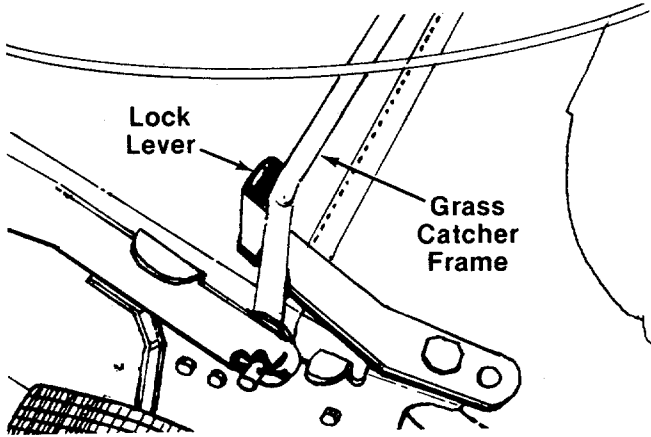


FIGURE 14.

The grass catcher frame will snap into place, secured by the lock lever. See figure 14.

To remove the grass catcher, unhook the lock lever and slip the grass catcher off the unit. See figure 14.

CONTROLS

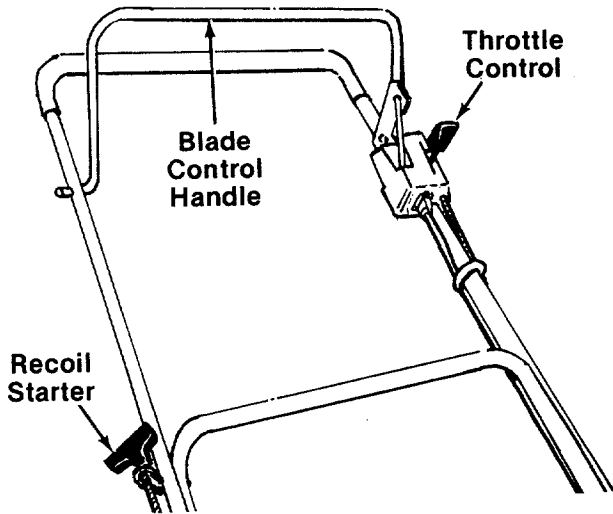


FIGURE 15.
BLADE CONTROL HANDLE

WARNING
THIS CONTROL MECHANISM IS A SAFETY DEVICE. NEVER ATTEMPT TO BYPASS ITS OPERATIONS

The blade control handle is located on the upper handle of the mower. See figure 15. The blade control handle must be depressed in order to operate the unit. Release the blade control handle to stop the engine and blade.



The blade will be rotating whenever the engine is running.

THROTTLE CONTROL

The throttle control is located on the left side of the upper handle. It is used to regulate the engine speed.



The throttle control cannot be used to stop the engine.

RECOIL STARTER

The recoil starter handle is attached to the handle. See figure 15. Stand behind the unit in the operating position to start the unit.

OPERATION

DO NOT OPERATE THIS MOWER WITH THE CHUTE DOOR OPEN, UNLESS THE COMPLETE GRASS-CATCHER IS PROPERLY MOUNTED ON THE MOWER.



FIGURE 16.

Keep hands and feet away from the chute area on cutting deck. See figure 16.

NOTE

For shipping purposes your mower is set with the wheels in a low cutting height position. For best results raise the cutting position until it is determined which height is best for your lawn. See cutting height adjustment section.

BEFORE STARTING

1. Fill sump with oil as instructed in the separate engine manual packed with your unit.
2. Fill fuel tank, using clean, fresh, unleaded, low-lead or regular grade leaded gasoline. Fill tank completely!
DO NOT MIX OIL WITH GASOLINE.
3. Attach spark plug wire to spark plug.
4. **Deluxe Briggs and Stratton engines:** Open fuel shut-off valve. See figure 17.

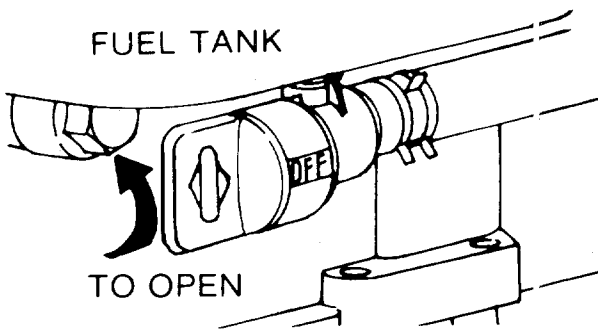


FIGURE 17.

TO START ENGINE AND ENGAGE BLADE

1. Move the throttle control lever to FAST or START position.

NOTE

On units with deluxe Briggs and Stratton engines, move throttle control lever to CHOKE position.

2. Standing behind the unit, depress the blade control handle and hold it against the upper handle as shown in figure 18.
3. Grasp the recoil starter handle as shown and pull back rapidly, extending rope fully. Return it slowly to the rope guide bolt.
4. After engine starts, move throttle control to desired engine speed.

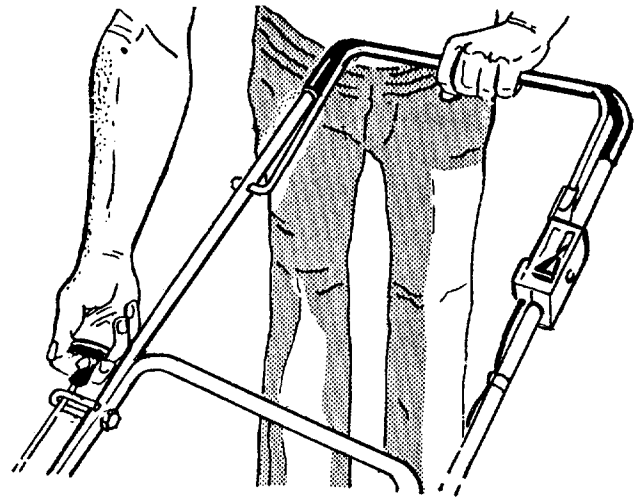


FIGURE 18.

TO STOP ENGINE AND BLADE

1. Release the blade control handle to stop the engine and blade.



WARNING

The blade continues to rotate for a few seconds after the engine is shut off.

2. Disconnect the spark plug wire and ground it against the engine to prevent accidental starting while equipment is unattended.

USING YOUR ROTARY MOWER



WARNING

DO NOT operate the mower with the chute door open unless the complete grass catcher is properly mounted on the mower.

Be sure that lawn is clear of stones, sticks, wire, or other objects which could damage lawn mower or engine. Such objects could be accidentally thrown by the mower in any direction and cause serious personal injury to the operator and others.

Operate a new engine at intermediate speeds and light load for the first few hours as you would a new automotive engine.

For the best results, do not cut wet grass because it tends to stick to the underside of the mower, preventing proper discharge of grass clippings, and could cause you to slip and fall. New grass, thick grass or wet grass may require a narrower cut. Blade speed should be adjusted to the condition of the lawn.

For best results, cut off one-third or less of the total length of the grass. Lawn should be cut in the fall as long as there is growth.

This mower is designed to be operated at full throttle to give you the best cut and do the most effective job of bagging the cut grass.

➔ IMPORTANT

If you strike a foreign object, stop the engine. Remove wire from spark plug, thoroughly inspect the mower for any damage, and repair the damage before restarting and operating the mower. Extensive vibration of the mower during operation is an indication of damage. The unit should be promptly inspected and repaired.

ADJUSTMENTS



Do not at any time make any adjustment to lawn mower without first stopping engine and disconnecting spark plug wire.

CUTTING HEIGHT ADJUSTMENT

An adjusting plate and thumb lever at each wheel position provides cutting height adjustment. Each adjusting plate has nine height positions. Height of cut will be changed when the thumb lever is moved from one hole to another. Simply depress the lever towards wheel and move wheel and lever assembly to desired position. See figure 19.

Cutting height will be raised as front levers are moved to the front, and rear levers are lowered. Cutting height will be lowered as front levers are moved to the rear, and rear levers are raised. All wheels must be placed in the same relative position.

For rough or uneven lawns, move the wheels to a position which will give a higher cutting height.

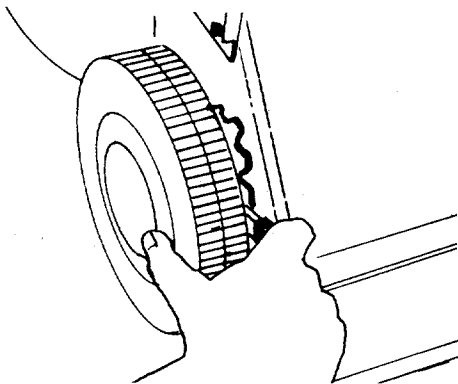


FIGURE 19.

THROTTLE

The throttle control wire assembly can be adjusted if necessary. Refer to steps 11 through 15 of assembly instructions.

CARBURETOR ADJUSTMENTS



If any adjustments are made to the engine while the engine is running (e.g. carburetor), keep clear of all moving parts. Be careful of heated surfaces and muffler.

Minor carburetor adjustment may be required to compensate for differences in fuel, temperature, altitude and load.

Refer to the separate engine manual packed with your mower for carburetor adjustment information.

LUBRICATION



Always stop engine and disconnect spark plug wire before cleaning, lubricating or doing any kind of work on lawn mower.

Blade Control—Lubricate the pivot points on the blade control handle and the brake cable at least once a season with light oil. See figure 20. The blade control must operate freely in both directions.

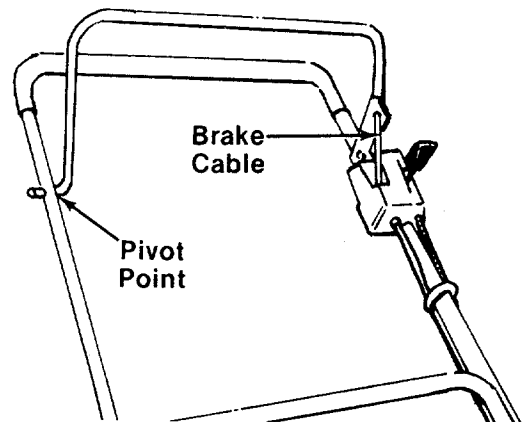


FIGURE 20.

Discharge Chute Door Mechanism—The torsion spring and pivot point should be lubricated periodically with light oil to prevent any rust or binding. Door must work freely.

Wheels—Mower may be provided with ball bearing wheels. Lubricate at least once a season with light oil. Also, if the wheels are removed for any reason, lubricate the surface of the axle bolt and the inner surface of the wheel with light oil. A 4 oz. plastic bottle of light oil lubricant is available. Order part number 737-0170. Engine oil may also be used.

Engine—Follow engine manual for lubrication instructions.

Throttle—Periodically lubricate throttle control lever and throttle wire assembly with a few drops of light oil for ease of operation.

MAINTENANCE



When tipping the unit, empty the fuel tank and keep engine spark plug side up.

CUTTING BLADE

A. Removal for Sharpening or Replacement



Be sure to disconnect and ground the spark plug wire before working on the cutting blade to prevent accidental engine starting. Protect hands by using heavy gloves or a rag to grasp the cutting blade.

Remove the large bolt and lock washer which holds the blade and adapter to the engine crankshaft. Remove the blade and adapter from the crankshaft.

If the blade or blade adapter needs replacing, remove the two small bolts, lock washers and nuts which hold the blade to the adapter.



Periodically inspect the blade adapter for cracks, especially if you strike a foreign object. Replace when necessary.

B. Sharpening

Remove the cutting blade by following the directions of the preceding section.

When sharpening the blade, follow the original angle of grind as a guide. It is **extremely important** that each cutting edge receives an equal amount of grinding to prevent an unbalanced blade. An unbalanced blade will cause excessive vibration when rotating at high speeds, may cause damage to the mower and could break, causing personal injury.

It is recommended that the blade always be removed from the adapter for the best test of balance. The blade can be tested by balancing it on a round shaft screwdriver. Remove metal from the heavy side until it balances evenly.

C. Reassembly

Before reassembling the blade and the blade adapter to the unit, lubricate the engine crankshaft and the inner surface of the blade adapter with light oil. Lubricating the bolt holes, bolts and inner surface of the nuts with light oil is also recommended. A 4 oz. plastic bottle of light oil lubricant is available. Order part number 737-0170. Engine oil may also be used.

When replacing the blade, be sure to install the blade with the side of the blade marked "Bottom" (or with part number) facing the ground when the mower is in the operating position.

Blade Mounting Torque

3/8" Dia. Bolt 375 in. lb. min., 450 in. lb. max.

5/16" Dia. Bolt 150 in. lb. min., 250 in. lb. max.

To insure safe operation of your unit, **all** nuts and bolts must be checked periodically for correct tightness.

DECK

The underside of mower deck should be cleaned after each period of use as grass clippings, leaves, dirt and other matter will accumulate. This accumulation of grass clippings, etc., is undesirable as it will invite rust and corrosion and may cause an uneven discharge of grass clippings at the next cutting.

The deck may be cleaned by tilting the mower forward or on its side and scraping clean with a suitable tool or by washing with a stream of water from a garden hose.



Do not direct the stream of water at a hot engine as damage to the engine may result.

ENGINE OIL

Check oil level before starting engine and after every 5 hours of operation. ADD oil as necessary to keep level to full mark on dipstick. Before removing dipstick, clean area around dipstick to prevent dirt from entering oil fill tube. Engine should be in a level position when checking oil.

Change oil after first 5 hours of operation. Thereafter change every 25 hours. Change oil while engine is warm. Oil may be drained thru oil drain on bottom of the engine. Oil capacity 1-1/4 pints.

AIR CLEANER

Service air cleaner every 25 hours under normal conditions. Clean every few hours under extremely dusty conditions. Poor engine performance and flooding usually indicates that the air cleaner should be serviced.

To service the air cleaner, refer to the separate engine manual packed with your unit.

SPARK PLUG

The spark plug should be cleaned and the gap reset once a season. Spark plug replacement is recommended at the start of each mowing season; check engine manual for correct plug type and gap specifications.

OFF-SEASON STORAGE

The following steps should be taken to prepare lawn mower for storage.

1. Clean and lubricate mower thoroughly as described in the lubrication instructions.
2. Refer to engine manual for correct engine storage instructions.
3. Coat mower's cutting blade with chassis grease to prevent rusting.
4. Store mower in a dry, clean area.



When storing any type of power equipment in an unventilated or metal storage shed, care should be taken to rustproof the equipment. Using a light oil or silicone, coat the equipment, especially cables and all moving parts.

HANDLE STORAGE

The handle may be placed in an upright position for storage.

Move hairpin cotters to outer hole on weld pins. See figure 2. Press outward on the bottom of the lower handle and push forward. The handle will lock in this position.

To place the handle in the operating position, remove the starter rope from the rope guide bolt. Grasp the lower handle at the bottom, pull apart slightly and tip the handle backward. Place the cotter hairpins in the inner holes. With the spark plug wire disconnected and grounded, depress the blade control handle and pull the starter rope out from the engine. Slip the starter rope into the rope guide bolt.

 **NOTE**

The use of any accessory on this Rotary Mower other than those manufactured by the mower manufacturer is **not** recommended.

GRASS CATCHER Model 028 is available as replacement equipment for the mower shown in this manual.

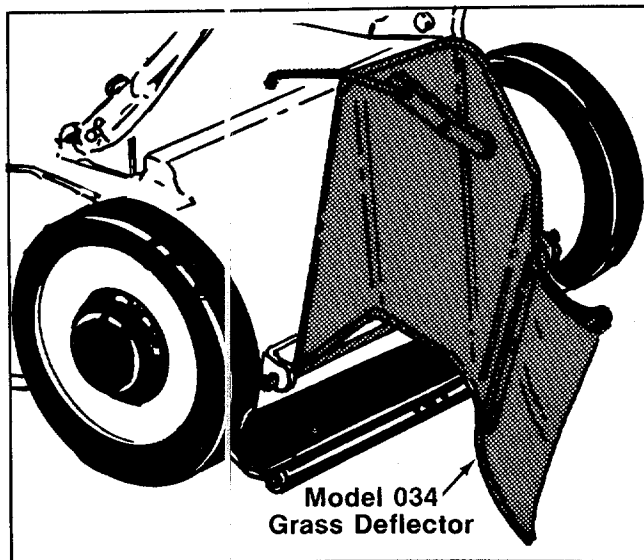
 **WARNING**

1. DO NOT operate the mower with the chute door open unless the complete grass catcher is properly mounted on the mower.
2. DO NOT operate the mower without the protective shield on the rear of the deck in place.

 **NOTE**

Under normal usage bag material is subject to wear and should be checked periodically. Be sure any replacement bag complies with the mower manufacturer's recommendations.

For replacement bags, use only factory authorized replacement bag No. 764-0171 (without flip top) or 764-0170 (with flip top).



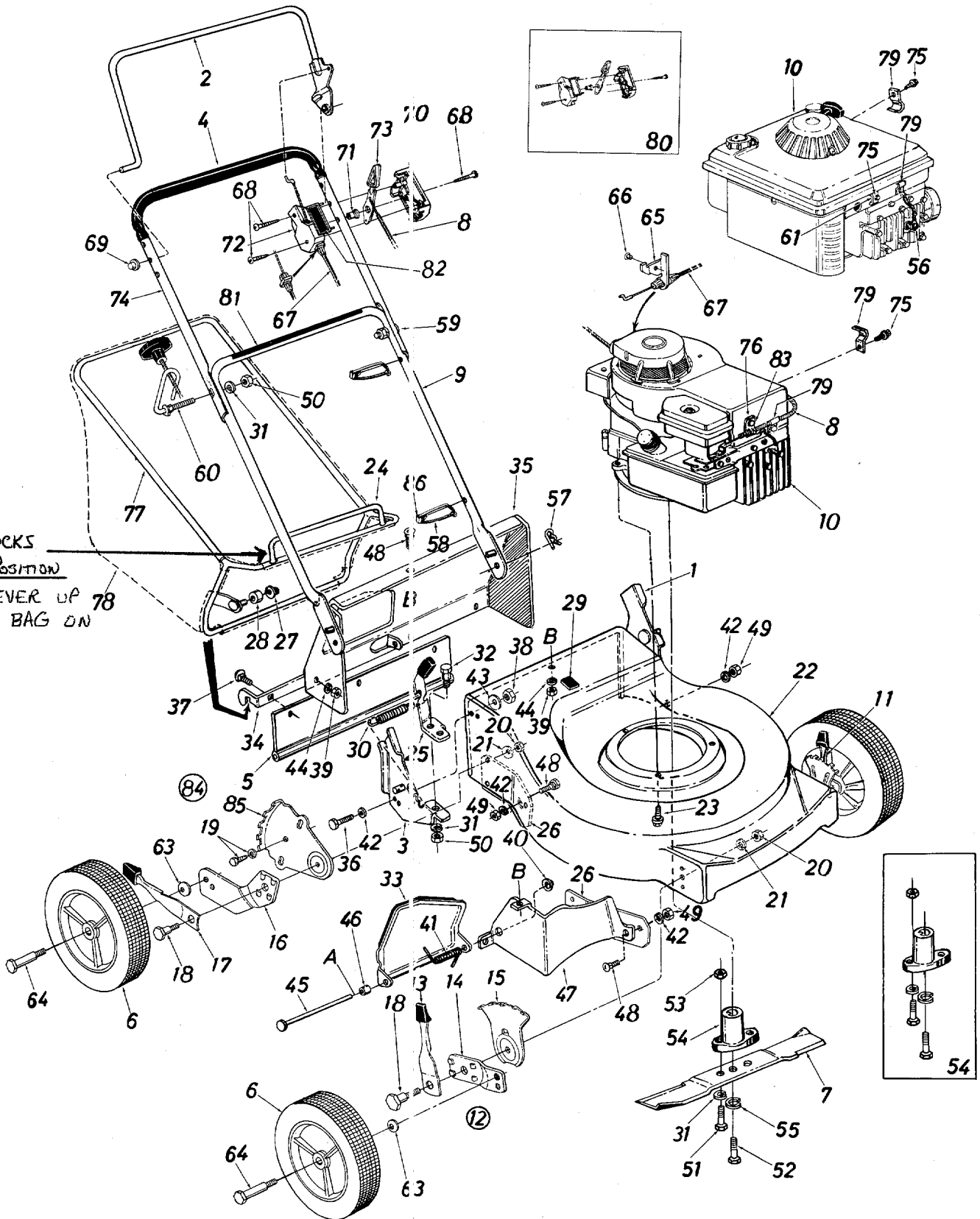
Grass Deflector model 196-034-000 is available as optional equipment.

Trouble Shooting Chart

Problem	Cause	Remedy
1 Engine fails to start	<p>A Blade control handle disengaged</p> <p>B Check fuel tank for gas</p> <p>C Fuel shut-off valve closed (on engines so equipped)</p> <p>D Spark plug lead wire disconnected</p> <p>E Throttle control lever not in the starting position</p> <p>F Faulty spark plug</p> <p>G Carburetor improperly adjusted, engine flooded</p> <p>H Old stale gasoline</p> <p>I Engine brake engaged</p>	<p>A Engage blade control handle.</p> <p>B Fill tank if empty.</p> <p>C Open fuel shut-off valve.</p> <p>D Connect lead wire.</p> <p>E Move throttle lever to start position.</p> <p>F Spark should jump gap between control electrode and side electrode. If spark does not jump, replace the spark plug.</p> <p>G Remove spark plug, dry the plug, crank engine with plug removed, and throttle in off position. Replace spark plug and lead wire and resume starting procedures.</p> <p>H Drain and refill with fresh gasoline.</p> <p>I Follow starting procedure.</p>
2 Hard starting or loss of power	<p>A Spark plug wire loose</p> <p>B Carburetor improperly adjusted</p> <p>C Dirty air cleaner</p>	<p>A Connect and tighten spark plug wire.</p> <p>B Adjust carburetor. See separate engine manual.</p> <p>C Clean air cleaner as described in separate engine manual.</p>
3 Operation erratic	<p>A Dirt in gas tank</p> <p>B Dirty air cleaner</p> <p>C Water in fuel supply</p> <p>D Vent in gas cap plugged</p> <p>E Carburetor improperly adjusted</p>	<p>A Remove the dirt and fill tank with fresh gas.</p> <p>B Clean air cleaner as described in separate engine manual.</p> <p>C Drain contaminated fuel and fill tank with fresh gas.</p> <p>D Clear vent or replace gas cap.</p> <p>E Adjust carburetor. See separate engine manual.</p>
4 Occasional skip (hesitates) at high speed	<p>A Carburetor idle speed too slow</p> <p>B Spark plug gap too close</p> <p>C Carburetor idle mixture adjustment improperly set</p>	<p>A Adjust carburetor. See separate engine manual.</p> <p>B Adjust to .030".</p> <p>C Adjust carburetor. See separate engine manual.</p>
5 Idles poorly	<p>A Spark plug fouled, faulty, or gap too wide</p> <p>B Carburetor improperly adjusted</p> <p>C Dirty air cleaner</p>	<p>A Reset gap to .030" or replace spark plug.</p> <p>B Adjust carburetor. See separate engine manual.</p> <p>C Clean air cleaner as described in separate engine manual.</p>
6 Engine overheats	<p>A Carburetor not adjusted properly</p> <p>B Air flow restricted</p> <p>C Engine oil level low</p>	<p>A Adjust carburetor. See separate engine manual.</p> <p>B Remove blower housing and clean as described in separate engine manual.</p> <p>C Fill crankcase with the proper oil.</p>
7 Excessive vibration	<p>A Cutting blade loose or unbalanced</p> <p>B Bent cutting blade</p>	<p>A Tighten blade and adapter. Balance blade.</p> <p>B Replace blade.</p>

Note: For repairs beyond the minor adjustments listed above, contact your local authorized service dealer.

Model 312

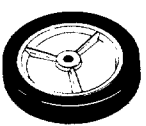
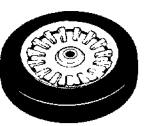


Model 312

PARTS LIST FOR MODEL 312 ROTARY MOWER

REF. NO.	PART NO.	COLOR CODE	DESCRIPTION	NEW PART	REF. NO.	PART NO.	COLOR CODE	DESCRIPTION	NEW PART
1	12297		Handle Brkt. Ass'y.—L.H.		46	750-0218		Spacer .262" I.D. x .31" O.D. x .58	
2	14321		Control Handle Ass'y.—L.H.		47	16259		Rear Baffle	
3	14592		Handle Brkt. Ass'y.—R.H.		48	710-0167		Carriage Bolt 1/4-20 x .50"*	
4	718-0145		Grip (Optional)		49	712-0287		Hex Nut 1/4-20 Thd.*	
5	731-0665		Rear Flap Ass'y.		50	712-0267		Hex Nut 5/16-18 Thd.*	
6	**		Wheel Ass'y.		51	710-0888		Hex Bolt 5/16-24 x 1.00" Lg. (Grade 5)	
7	742-0124		21" Blade		52	710-0331		Hex Bolt 3/8-24 x 2.25" Lg. (Grade 5)	
8	746-0633		Throttle Wire—58" (Black)	N	53	712-0123		Hex Nut 5/16-24 Thd.*	
9	749-0505		Lower Handle (Chrome)		54	753-0348		Blade Adapter Kit	
	749-0504		Lower Handle (Painted)		55	736-0217		L-Wash. 3/8" I.D.—H.D.	
10	—		Engine		56	735-0639		Spark Plug Boot†	
11	14579		Front L.H. Height Adj. Ass'y.		57	714-0104		Intern. Cot. Pin 5/16" Dia.	
12	14578		Front R.H. Height Adj. Ass'y.		58	725-0157		Cable Tie	
13	14832		Spring Lever Ass'y. w/Knob		59	710-0671		Curved Carriage Bolt 5/16-18 x 1.38" Lg.	
14	15262		Front Pivot Bar		60	710-0842		Rope Guide Bolt	
15	15261		Front Index Plate		61	751-0442		Casing Clamp†	N
16	14765		Rear Pivot Bar—R.H.		63	736-0105		Bell-Wash. .400" I.D. x .88" O.D. x .060	
	14766		Rear Pivot Bar—L.H. (Not Shown)		64	738-0102		Axle Bolt	
17	732-0417		Spring Lever w/Knob		65	14924		Cable Bracket	
18	738-0507		Shld. Bolt .50" Dia. x .375		66	728-0171		Pop Rivet .156" Dia. x .379	
19	710-0892		Hex Wash. Hd. Tap Scr. 1/4 x .62" Lg.		67	746-0477		Brake Control Cable—43"	
20	712-0798		Hex Nut 3/8-16 Thd.*		68	710-0796		Truss Mach. Hd. "B" Tap Scr. #12 x 1.50" Lg.	
21	736-0356		Bell-Wash. .39" I.D. x .38"		69	726-0135		Cap Speed Nut 5/16" Rod	
22	16241	462	20" Deck Ass'y.		70	731-0523		Control Panel Half	
23	710-0654		Self-Tap Screw 3/8-16 x .88"		71	731-0524		Control Disc Pin	
24	14582		Grass Catcher Lower Frame Ass'y.		72	731-0526		Clutch Panel Half	
25	14845		Grass Catcher Lock Lever w/Knob		73	731-0528		Throttle Control Lever	
26	16366		Baffle	N	74	749-0436		Upper Handle (Chrome)	
27	726-0100		Push Nut 3/8" Rod			749-0438		Upper Handle (Painted)	
28	731-0430		Plastic Roller		75	710-0429		Hex "B" Tap Scr. #10 x .38"	
29	731-0564		Plug—Catcher Hook Slot		76	751-0369		Casing Clamp	
30	732-0357		Tension Spring		77	749-0278		Grass Catcher Upper Frame	
31	736-0119		L-Wash. 5/16" I.D.*		78	764-0171		Grass Bag (Without Flip Top)	
32	738-0155		Shld. Bolt .437" Dia. x .162			764-0170		Grass Bag (With Flip Top)	
33	13407		Chute Door		79	12894		Casing Clamp	
34	14012		Grass Catcher Hitch Brkt.		80	753-0360	430	Control Housing Comp.	
35	16258	462	Rear Discharge Deck Section		81	777-5776		Instruction Label—Handle	N
36	710-0412		Hex Bolt 1/4-28 x .75" Lg.*		82	777-5773		Control Label—Throttle	N
37	710-0703		Carr. Bolt 1/4-20 x .75" Lg.*		83	710-0227		Hex Wash. Hd. AB-Tap Scr. #8 x .38" Lg.	
38	712-0138		Hex Nut 1/4-28 Thd.*		84	16106		Rear Height Adj. Ass'y.—R.H.	
39	712-0271		Sems Nut 1/4-20 Thd.*			16107		Rear Height Adj. Ass'y.—L.H.	
40	726-0106		Push Nut 1/4" Rod		85	14764		Rear Index Plate	
41	732-0346		Torsion Spring		86	726-0241		Cable Anchor	N
42	736-0329		L-Wash. 1/4" I.D.*		—	8312-000-6		Hardware Pack	
43	736-0270		Bell-Wash. 1/4" I.D. x .88"						
44	736-0211		Fl-Wash. .285" I.D. x 1.25"						
45	738-0386		Hinge Pin .250" Dia. x 7.25"						

**WHEEL CHART—8 x 1.75

Plastic Rim		Steel Rim			
		Twinline Tread	Waffle Tread	Smooth	Bearings
734-0841	734-1162	734-0661	734-0812	734-0843	1/2" I.D. Plastic Brg.—741-0262 (2 per Wheel)
		734-0643	734-0645	734-0845	Ball Brgs. 3/8" I.D.—741-0267, 1/2" I.D.—741-0484, Spacer—750-0434 (Use Axle Bolt 710-0427)


†Deluxe Briggs & Stratton Engine

*For faster service obtain standard nuts, bolts, and washers locally. If these items cannot be obtained locally, order by part number and size as shown on parts list.

If color or finish is important when ordering parts, use the appropriate color code shown below [i.e. (part no.)-462 for Red Flake Finish].

Color Codes


312—White	463—Topflite Red
436—Radiant Yellow	480—Brilliant Green
452—Black	483—Charcoal Grey
456—Radiant Tangerine	499—Beige
462—Red Flake	623—Silver Mist

 **NOTE**

This instruction manual covers various models and all specifications shown do not necessarily apply to your model. Specifications subject to change without notice or obligation.

NOTE: The engine is not under warranty by the mower manufacturer... If repairs or service is needed on the engine, please contact your nearest authorized engine service outlet. Check the "Yellow Pages" of your telephone book under "Engines—Gasoline."

**Find It Fast
In The
Yellow Pages**



Hub Caps Available

Color	Part No.
Red	731-0124
Orange	731-0254
Black	731-0354
Gray	731-0355

PARTS INFORMATION

POWER EQUIPMENT PARTS AND SERVICE

Parts and service are available through the authorized service firms listed below. All orders should specify the model number of your unit, part numbers, description of parts and the quantity of each part required.

NOTE: If any parts are found to be missing or defective upon assembly of this unit, write to advise the factory so that immediate replacement can be made.

ALABAMA	BIRMINGHAM		NORTH CAROLINA	GOLDSBORO
Auto Electric & Carburetor Co.	2625 4th Ave. S.	35233	Smith Hardware Co.	515 N. George St.
ARKANSAS	NORTH LITTLE ROCK			GREENSBORO
Sutton's Lawn Mower Shop	5301 Roundtop Drive		Dixie Sales Company	335 N. Green
	Box 368, Rt. 4	72117	OHIO	CARROLL
CALIFORNIA	PORTERVILLE		Stebe's Mid-State Mower Supply	Box 366, 71 High St.
Billious	75 North D Street	93257		CLEVELAND
COLORADO	DENVER		Bleckrie, Inc.	7900 Lorain Ave.
Spitzer Industrial Products Co.	6601 N. Washington St.	80229	National Central	687 Seville Rd.
FLORIDA	JACKSONVILLE		Burton Supply Co.	1301 Logan Ave. Box 929
Radco Distributors	4909 Victor St. Box 5459	32207	OKLAHOMA	MUSKOGEE
	HIALEAH		Victory Motors, Inc.	605 S. Cherokee
Small Eng. Dist.	7995 W. 26th Court	33016	OREGON	PORTLAND
GEORGIA	EAST POINT		Kenton Supply Co.	8216 N. Denver Ave.
East Point Cycle & Key Inc.	2834 Church St.	30344	PENNSYLVANIA	HARRISBURG
ILLINOIS	LYONS		EECO Inc.	4021 N. 6th St.
Keen Edge Co.	8615 Ogden Ave.	60534	Thompson Rubber Co.	850 Davisville Rd.
INDIANA	ELKHART		Bluemont Co.	11125 Frankstown Rd.
Parts & Sales Inc.	2101 Industrial Pkwy.	46516	Frank Roberts & Sons	R.D. 2
IOWA	DUBUQUE		Scranton Auto Ignition Co.	1133-35 Wyoming Ave.
Power Lawn & Garden Equip.	2551 J.F. Kennedy	52001	TENNESSEE	KNOXVILLE
LOUISIANA	NEW ORLEANS		Ace Distributors	2103 Magnolia
Suhren Engine Co.	8330 Earhart Blvd.	70118	American Sales & Service, Inc.	3035-43 Bellbrook
MARYLAND	TAKOMA PARK		TEXAS	DALLAS
Center Supply Co.	6867 New Hampshire Ave.	20912	Marr Brothers, Inc.	423 E. Jefferson
MASSACHUSETTS	SPRINGFIELD		Woodson Sales Corp.	6733 Baker Blvd. Hwy. 10
Morton B. Collins Co.	300 Birnie Ave.	01107	Bullard Supply Co.	2409 Commerce St.
MICHIGAN	LANSING		Engine House Inc.	8610 Botts Lane P.O. Box 17867
Lorenz Service Co.	2500 S. Pennsylvania	48910	UTAH	SALT LAKE CITY
Power Equipment Dist.	MOUNT CLEMENS		Powered Products	1661 N. Beck St.
MINNESOTA	HOPKINS		VIRGINIA	ASHLAND
Hance Distributing Inc.	420 Excelsior Ave. W.	55343	RBI Corp.	101 Cedar Ridge Dr.
MISSOURI	KANSAS CITY		WASHINGTON	SEATTLE
Automotive Equip. Service	3117 Holmes St.	64109	Equip. Northwest	1410 14th Ave.
Ross-Frazier Supply Co.	ST. JOSEPH		WISCONSIN	MILWAUKEE
	8th and Monterey	64503	Wisconsin Magneto Inc.	4727 N. Teutonia St.
Henzler, Inc.	ST. LOUIS			
NEW JERSEY	2015 Lemay Ferry Rd.	63125		
Lawnmower Parts Inc.	BELLMAWR			
NEW MEXICO	717 Creek Rd.	08030		
Spitzer Eng. & Parts Co.	ALBUQUERQUE			
NEW YORK	1023 Third Ave. N.W.	87103		
Gamble Dist., Inc.	CARTHAGE			
	West End Ave.	3619		

WARRANTY PARTS AND SERVICE POLICY

(0685)

The purpose of warranty is to protect the customer from defects in workmanship and materials, defects which are NOT detected at the time of manufacture. It does not provide for the unlimited and unrestricted replacement of parts. Use and maintenance are the responsibility of the customer. The manufacturer cannot assume responsibility for conditions over which it has no control. Simply put, if it's the manufacturer's fault, it's the manufacturer's responsibility; if it's the customer's fault, it's the customer's responsibility.

CLAIMS AGAINST THE MANUFACTURER'S WARRANTY INCLUDES:

1. Replacement of Missing Parts on new equipment.
2. Replacement of Defective Parts within the warranty period.
3. Repair of Defects within the warranty period.

All claims MUST be substantiated with the following information:

1. Model Number of unit involved.
2. Date unit was purchased or first put into service.
3. Date of failure.
4. Nature of failure.