

BLACK & DECKER®

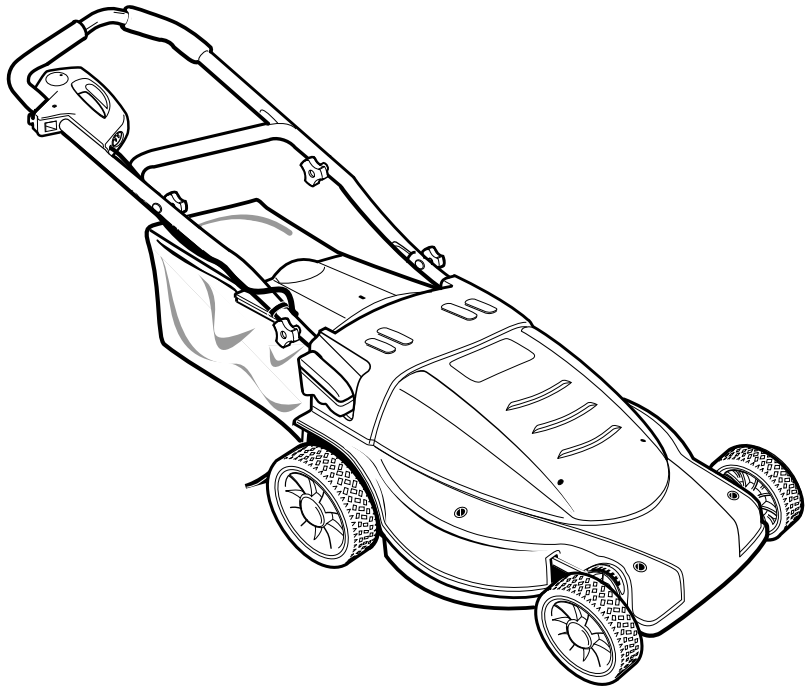


19 INCH (48cm) MULCHING MOWER

INSTRUCTION MANUAL

Date Code:

MM875



KEY INFORMATION YOU SHOULD KNOW:

- Lifetime 3 in 1 deck-Mulching, Discharging and Bagging.
- Do not operate mower unless handle is locked into position.
- For best cutting results, keep blade sharpened and balanced.
- Inspect and thoroughly clean your mower after each use (a deck with caked grass will degrade performance).
- Make sure mowing area is clear of other persons or pets prior to starting and during operation.

SAVE THIS MANUAL FOR FUTURE REFERENCE

THANK YOU FOR CHOOSING
BLACK & DECKER! GO TO
WWW.BLACKANDDECKER.COM/NEWOWNER
TO REGISTER YOUR NEW PRODUCT.

**BEFORE RETURNING THIS PRODUCT
FOR ANY REASON PLEASE CALL**

1-800-544-6986

BEFORE YOU CALL, HAVE THE CATALOG No. AND DATE CODE AVAILABLE. IN MOST CASES, A **BLACK & DECKER** REPRESENTATIVE CAN RESOLVE THE PROBLEM OVER THE PHONE. IF YOU HAVE A SUGGESTION OR COMMENT, GIVE US A CALL. YOUR FEEDBACK IS VITAL TO BLACK & DECKER.

SAFETY GUIDELINES - DEFINITIONS

It is important for you to read and understand this manual. The information it contains relates to protecting YOUR SAFETY and PREVENTING PROBLEMS. The symbols below are used to help you recognize this information.

⚠ DANGER: Indicates an imminently hazardous situation which, if not avoided, will result in death or serious injury.

⚠ WARNING: Indicates a potentially hazardous situation which, if not avoided, could result in death or serious injury.

⚠ CAUTION: Indicates a potentially hazardous situation which, if not avoided, may result in minor or moderate injury.

CAUTION: Used without the safety alert symbol indicates a potentially hazardous situation which, if not avoided, may result in property damage.

⚠ WARNING: IMPORTANT SAFETY WARNINGS AND INSTRUCTIONS

⚠ WARNING: When using electric gardening appliances, basic safety precautions should always be followed to reduce risk of fire, electric shock, and personal injury, including the following.

READ ALL INSTRUCTIONS

TO REDUCE RISK OF INJURY:

- Before any use, be sure everyone using this tool reads and understands all safety instructions and other information contained in this manual.
- Save these instructions and review frequently prior to use and in instructing others.

⚠ DANGER IMPORTANT SAFE PRACTICES FOR WALK-BEHIND MOWERS

This lawn mower is capable of amputating hands and feet and throwing objects. Failure to observe the following safety instructions could result in serious injury or death.

GENERAL OPERATION

1. Read, understand, and follow all instructions on the mower and in the instruction manual before starting.
2. Do not put hands or feet near or under the mower. Keep clear of the discharge opening at all times.
3. Only allow responsible adults, who are familiar with the instructions, to operate this mower.
4. Clear the area where the mower is to be used of objects such as rocks, sticks, wire, toys, bones, etc., which could be thrown by the blade. Objects struck by the blade can cause severe injury to persons. Stay behind the handle when the motor is running.
5. Be sure the area surrounding the mower is clear of bystanders before operating. All bystanders and pets should be kept at a safe distance. Stop the mower if anyone enters the area surrounding the mower.
6. Do not operate mower barefooted or while wearing sandals. Always wear substantial footwear.
7. Do not pull mower backward unless absolutely necessary. Always look down and behind before and while moving backward.
8. Never direct discharged material toward anyone. Avoid discharging

material against a wall or obstruction. Material may ricochet back toward the operator. Release switch lever to turn mower off and stop the blade when crossing gravel surfaces or when flipping the handle.

9. Do not operate mower without the entire grass catcher, discharge guard, rear guard, or other safety protective devices in place and working. Periodically check all guards and safety protective devices to ensure they are in good working order and will operate properly and perform their intended function. Replace a damaged guard or other safety device before further use.
10. Never leave a running mower unattended.
11. Always release the switch lever to stop the motor and wait until the blade comes to a complete stop and unplug the mower before cleaning the mower, removing the grass catcher, unclogging the discharge guard, when leaving the mower, or before making any adjustments, repairs or inspections.
12. Operate mower only in daylight or good artificial light when objects in the path of the blade are clearly visible from the operating area of the mower.
13. Do not operate mower while under the influence of alcohol or drugs, or when you are tired or ill. Always stay alert, watch what you are doing, and use common sense.
14. Avoid dangerous environments. Never operate mower in damp or wet grass, never use mower in the rain. Always be sure of your footing; walk; never run.
15. Disengage the drive system, if so equipped, before starting the motor.
16. If the mower should start to vibrate abnormally, release the switch lever, wait for the blade to stop and unplug the mower, then check for the cause immediately. Vibration is generally a warning of trouble.
17. Always wear proper eye and respiratory protection when operating the mower.
18. The use of any accessory or attachment not recommended for use with this mower could be hazardous. Only use accessories approved by Black & Decker.
19. Never overreach while operating the mower. Always be sure to keep proper footing and balance at all times while operating the mower.

SLOPE OPERATION

Slopes are a major factor related to slip and fall accidents, which can result in severe injury. Operation on all slopes requires extra caution. If you feel uneasy on a slope, do not mow it.

1. Mow across the face of slopes; never up and down. Exercise extreme caution when changing direction on slopes.
2. Watch for holes, ruts, bumps, rocks, or other hidden objects. Uneven terrain could cause a slip and fall accident. Tall grass can hide obstacles.
3. Do not mow on wet grass or excessively steep slopes. Poor footing could cause a slip and fall accident.
4. Do not mow near drop-offs, ditches, or embankments. You could lose your footing or balance.

CHILDREN

Tragic accidents can occur if the operator is not alert to the presence of children. Children are often attracted to the mower and the mowing activity. Never assume that children will remain where you last saw them.

1. Keep children out of the mowing area and under the watchful care of a responsible adult other than the operator.
2. Be alert and turn mower off if a child enters the area.
3. Never allow children to operate the mower.
4. Use extra care when approaching blind corners, shrubs, trees, or other objects that may block your view of a child.

GENERAL SERVICE


1. Never operate mower in a closed area.
2. Keep all nuts and bolts tight to be sure the equipment is in safe working condition.
3. Never tamper with safety devices. Check their proper operation regularly.
4. Keep mower free of grass, leaves, or other debris build-up. Allow mower to cool before storing.
5. If you strike a foreign object, release switch lever to turn mower off wait for the blade to stop and unplug the mower and then inspect the mower. Repair, any damage, before starting and operating the mower.
6. Never make any adjustments or repairs with the motor running or while the mower is plugged in.
7. Always unplug electric mowers before adjusting, cleaning, repairing, inspecting, transporting, storing or leaving the mower.

8. Check grass catcher components and the discharge guard frequently and when necessary replace with Black & Decker recommended parts only.
9. Mower blades are sharp. Wrap the blade or wear gloves, and use extra caution when servicing them.
10. Maintain or replace safety and instruction labels, as necessary.

⚠ WARNING: GENERAL SAFETY WARNINGS AND INSTRUCTIONS FOR ALL TOOLS

- **THIS TOOL CAN BE DANGEROUS.** Follow all warnings and Safety Instructions in this manual. The operator is responsible for following warnings and instructions in this manual and on unit. Restrict use of this mower to persons who read, understand and follow warnings and instructions in this manual and on unit.
- **STORE IDLE MOWER INDOORS.** Mowers should be stored indoors in dry, secured area – out of reach of children.
- **DON'T FORCE MOWER.** It will do the job better and with less likelihood of a risk of injury at the rate for which it was designed.
- **USE RIGHT APPLIANCE.** Do not use the mower for any job except that for which it is intended.
- **DRESS PROPERLY.** Do not wear loose clothing or jewelry. They can be caught in moving parts. Rubber gloves, long pants and substantial, non-skid footwear are recommended when working outdoors.
- **USE SAFETY GLASSES AND OTHER SAFETY EQUIPMENT.** Use safety goggles or safety glasses with side shields, complying with applicable safety standards and, when needed, a face shield. Also use face or dust mask if operation is dusty. This applies to all persons in the work area. Also use a hard hat, hearing protection, gloves, safety shoes and dust collection systems when specified or required. Safety glasses or the like are available at extra cost at your local dealer or Black & Decker Service Center.
- **DON'T ABUSE CORD.** Never carry mower by cord or yank it to disconnect from receptacle. Keep cord away from heat, oil, and sharp edges.
- **MAINTAIN MOWER WITH CARE.** Keep cutting edge clean and sharp for best performance and to reduce the risk of injury. Follow instructions for lubricating and changing accessories. Inspect mower cord periodically and if damaged, have it repaired by authorized service facility. Inspect extension cords periodically and replace if damaged. Keep handles dry, clean, and free from oil and grease.
- **AVOID UNINTENTIONAL STARTING.** Don't carry plugged-in mower with finger on switch. Be sure switch is off when plugging in.
- **BEFORE USING,** always visually inspect to see that the blade, blade fasteners and cutter assembly are not worn or damaged. Replace worn or damaged blades and fasteners in sets to preserve balance. Inspect the mower cord - ensure it is in good condition. Cord insulation must be intact with no cracks or deterioration.
- **TO REDUCE THE RISK OF ELECTRIC SHOCK,** this mower has polarized plug blades (one blade is wider than the other) and will require the use of a polarized extension cord. The mower plug will fit into a polarized extension cord only one way. If the plug does not fit fully into the extension cord, reverse the plug. If the plug still does not fit, obtain a correct polarized extension cord. A polarized extension cord will require the use of a polarized wall outlet. The extension cord plug will fit into the polarized wall outlet only one way. If the extension cord plug does not fit fully into the wall outlet, reverse the plug. If the extension cord plug still does not fit, contact a qualified electrician to install the proper wall outlet. Do not change the mower plug, extension cord receptacle, or extension cord plug in any way.
- **EXTENSION CORDS.** Make sure your extension cord is in good condition. Cord insulation must be intact with no cracks or deterioration. Plug connectors must be undamaged. When using an extension cord, be sure to use one heavy enough to carry the current your product will draw. An undersized extension cord will cause a drop in line voltage resulting in loss of power and overheating, which can shorten the life of the motor. The table shows the correct size to use depending on cord length and nameplate ampere rating. If in doubt, use the next heavier gage. The smaller the gage number, the heavier the cord.

Volts	Minimum Gage for Cord Sets			
	Total Length of Cord in Feet			
120V	0-25	26-50	51-100	101-150
	(0-7,6m)	(7,6-15,2m)	(15,2-30,4m)	(30,4-45,7m)
240V	0-50	51-100	101-200	201-300
	(0-15,2m)	(15,2-30,4m)	(30,4-60,9m)	(60,9-91,4m)
Ampere Rating		American Wire Gage		
More Than	Not more Than			
0 - 6	18	16	16	14
6 - 10	18	16	14	12
10 - 12	16	16	14	12
12 - 16	14	12	Not Recommended	

-  indicates the Mower is “DOUBLE INSULATED”
- **OUTDOOR USE EXTENSION CORDS.** To reduce the risk of electric shock, use only with an extension cord intended for outdoor use, such as an extension cord of type SW-A, SOW-A, STW-A, STOW-A, SJW-A, SJOW-A, SJTW-A, or SJTOW-A.
- **GROUND FAULT CIRCUIT INTERRUPTER (GFCI)** protection should be provided on the circuits or outlets to be used for the **mower**. Receptacles are available having built in GFCI protection and may be used for this measure of safety.
- **CHECK FOR DAMAGED PARTS.** Before further use of the mower, a guard or other part that is damaged should be carefully checked to determine that it will operate properly and perform its intended function. Check for alignment of moving parts, binding of moving parts, breakage of parts, mounting, and any other conditions that may affect their operation. A guard or other part that is damaged should be properly repaired or replaced by an authorized service center unless otherwise indicated elsewhere in this manual.
- **REPAIRS AND SERVICE.** Repairs, maintenance and any adjustments not specified in this manual should be performed by Black & Decker authorized service centers or other qualified service organizations, always using identical replacement parts.

⚠ DANGER: ADDITIONAL WARNINGS FOR MOWERS

- **ALWAYS** firmly grip handle with both hands when operating mower.
- **NEVER** wear radio or music headphones while operating mower.
- **CONTAIN** long hair.
- **NEVER** attempt to make a wheel height adjustment while the motor is running or while the mower is plugged in.
- **IF MOWER** stalls, release switch lever to turn mower off, wait for blade to stop and unplug the cord before attempting to unclog the chute or remove anything from under the deck.
- **KEEP HANDS** and feet away from cutting area.
- **KEEP BLADES** sharp. Always use protective gloves when handling the mower blade.
- **IF YOU** are using a grass catcher, check it frequently for wear and deterioration. If excessively worn, replace with new bag for your safety.
- **USE EXTREME CAUTION** when reversing or pulling mower toward you.

⚠ WARNING: Some dust created by this product contains chemicals known to the State of California to cause cancer, birth defects or other reproductive harm. Some examples of these chemicals are:

- compounds in fertilizers
- compounds in insecticides, herbicides and pesticides
- arsenic and chromium from chemically treated lumber

To reduce your exposure to these chemicals, wear approved safety equipment such as dust masks that are specially designed to filter out microscopic particles.

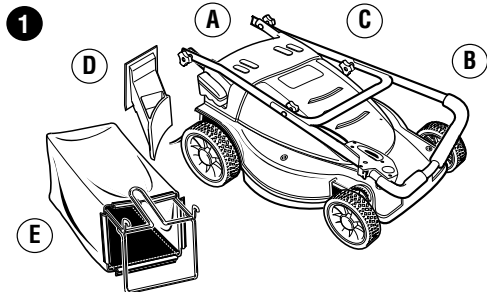
⚠ WARNING: This product contains chemicals, including lead, known to the State of California to cause cancer, and birth defects or other reproductive harm. Wash hands after handling.

SAVE THESE INSTRUCTIONS

ASSEMBLY INSTRUCTIONS

BEFORE ASSEMBLING YOUR MOWER, CHECK THAT YOU HAVE RECEIVED THE FOLLOWING IN THE SHIPPING CARTON. SEE FIGURE 1.

- A. Mower
- B. Upper Handle
- C. Lower Handle
- D. Mulch Insert (inside mower under rear door)
- E. Grassbag and Grassbag Frame

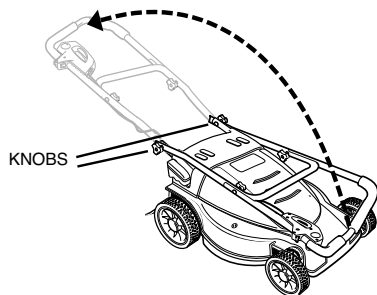


UNPACKING THE MOWER

1. Your mower carton contains the mower, 2 handles (attached), mulch insert and a grass bag and frame assembly.
2. Your mower has been completely assembled at the factory except for the grass bag. Remove the grassbag, grassbag frame, mower and fillers from the carton.

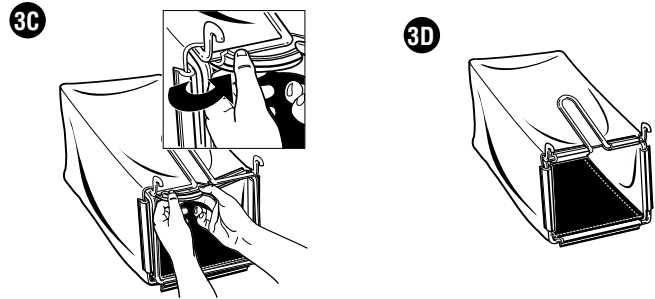
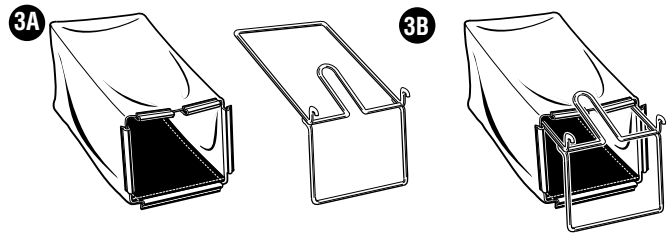
UNFOLDING AND ADJUSTING THE HANDLE (FIGURE 2)

1. UNPLUG TOOL, AND WAIT FOR BLADE TO COME TO A COMPLETE STOP.
2. Raise the handle section into place and secure by tightening the two knobs. Take care not to pinch or damage the power cord while adjusting the handles.
3. There are three holes on the upper handle, this allows the handle height to be set in three positions. Choose the hole that best suits your overall height. Install the bolts to the inside of the handles so that the knobs are on the outside (to avoid interference with the rear door and grassbag). Tighten the knobs securely.



ASSEMBLING THE GRASS CATCHER (FIGURE 3A,3B,3C,3D)

1. Before starting to assemble the grassbag to the frame, check that the grassbag and frame are similar to figure 3A.
2. Slide the grassbag onto the frame as shown in figure 3B.
3. Assemble the top clips to the frame as shown in figure 3C, then assemble the two side clips and the bottom clip last.
4. Completely assembled grass catcher is shown in figure 3D.



MULCHING

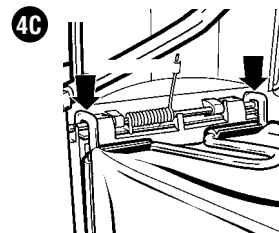
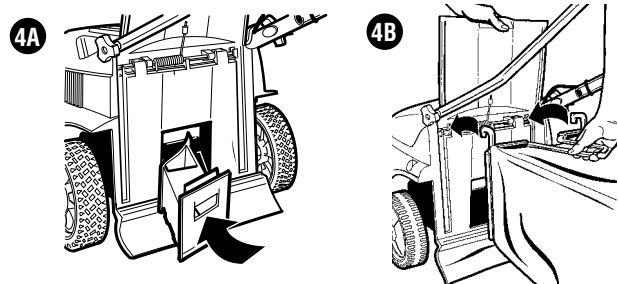
The mower is designed to mulch or discharge the grass depending on whether the mulch insert is installed and the mulch door is closed (mulching) or the mulch door is up and the discharge chute is in place (discharging). No further assembly steps are required if you are mulching. **PROCEED TO OPERATING INSTRUCTIONS.**

GRASS CATCHER INSTALLATION (FIGURE 4A,4B,4C)

(If you wish to bag the clippings rather than mulch, perform these steps)

1. **UNPLUG MOWER, AND WAIT FOR BLADE TO COME TO A COMPLETE STOP.**
2. Raise the rear discharge door and hold it up as shown in Figure 4A.
3. Locate your hand in the handle pocket as shown in Figure 4A, lift and pull out the mulch insert completely.
4. Pick up the grass catcher by the handle and lower the grass catcher between the mower handles as shown in Figure 4B. Position the grass catcher hanger hooks on the mower as shown in Figure 4C. The rear discharge door is spring loaded. When you release it the door will rest against top of bag assembly.

⚠ DANGER: Never operate the mower unless the hanger hooks on the grass catcher are seated properly on the mower and the rear discharge door rests firmly against the top of the grass catcher.



INSTALLING MULCH INSERT (MULCHING)

1. **UNPLUG MOWER, AND WAIT FOR BLADE TO COME TO A COMPLETE STOP.**
2. Raise the rear discharge door and hold it up as shown in Figure 4A.
3. Slide the mulch insert into the discharge opening until it is firmly in contact with the deck.
4. Release rear door and ensure it is properly closed.

OPERATING INSTRUCTIONS

NOTE: A mower is a major appliance and should not be operated simultaneously with other major appliances on the same house circuit.

⚠ WARNING: Make sure that other persons and pets are at least 100 feet away.

INSPECT CUTTING AREA

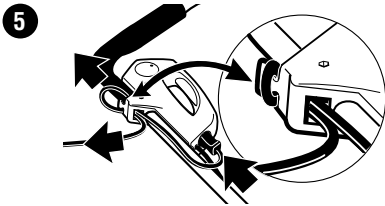


Remove all rocks, sticks, wire, toys, bones, and other debris or items which might be thrown by the rotating blades.

ATTACHING EXTENSION CORD TO MOWER (FIGURE 5)

DO NOT connect the extension cord to power source until you have finished reading this manual and you are ready to start mowing.

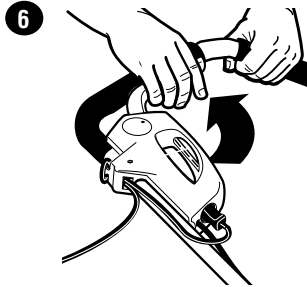
1. The extension cord must be polarized and will only plug in one way, orient the wide slot with the wide blade in the switch housing.
2. Loop the extension cord and push the loop up through the hole in the switch housing.
3. Pull the extension cord on the side of the loop that is plugged into the switch housing and remove all the slack in this section of the extension cord.
4. Place the loop over the strain relief tab on the switch housing and pull the extension cord so the loop draws down around the strain relief tab as shown in the detail. Double check to see that you did not loosen the extension cord.



SWITCH USE (FIGURE 6)

Your mower is equipped with a special switch. To operate the switch, insert your finger into the opening (Figure 6) and push the lever out so that you can grasp it with your other hand. Pull the lever back to turn the unit on and hold it against the mower handle to keep it running. To turn the mower off, just release the lever. The spring loaded "SNAP ACTION" lever will quickly turn the mower off.

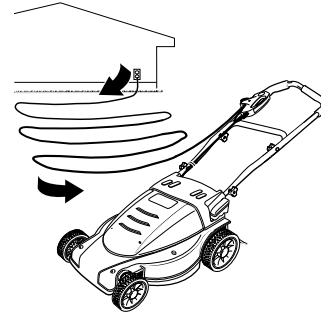
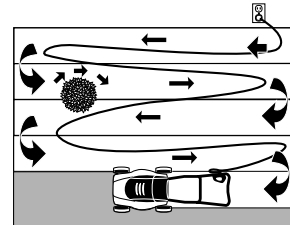
⚠ WARNING: NEVER ATTEMPT TO OVERRIDE THE OPERATION OF THIS SWITCH.



EXTENSION CORD TO ELECTRICAL OUTLET (FIGURE 7)

1. Place most of the extension cord close to the electrical outlet, out of the path of the mower. Attach extension cord to mower.
2. Start in direction where extension cord side of mower is closest to the outlet. Begin mowing in the area closest to the outlet and mow in a back and forth manner. Note the cord is kept on cut portion of lawn and out of the path of the mower. (FIGURE 7)
3. Avoid mowing in circles as cord will be harder to manage.

7



RECOMMENDED APPROXIMATE CUTTING HEIGHT

The cutting height should be higher in hot weather or shade, and lower for the last mow before winter.

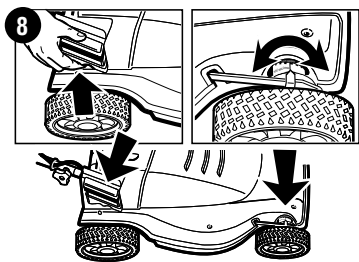
COOL SEASON GRASSES				
TYPE	SHADE (inches)		SUN (inches)	
CREeping BENT GRASS	1-1/3	33.7mm	2/3	16.7mm
VELVER BENT GRASS	1/4	6.3mm	1/2	12.7mm
ANNUAL BLUEGRASS	1/2	12.7mm	1	25.4mm
CANADA BLUEGRASS	3	76.2mm	4	101.6mm
KENTUCKY BLUEGRASS	2-1/2	63.5mm	3	76.2mm
ROUGH BLUEGRASS	1	25.4mm	1-1/2	38.1mm
SMOOTH BROMEGRASS	3	76.2mm	4	101.6mm
FINE RESUE	1-1/2	38.1mm	2-1/2	63.5mm
TALL FESCUE	2-1/2	63.5mm	4	101.6mm
ANNUAL RYEGRASS	2	50.8mm	2-1/2	63.5mm
WARM SEASON GRASSES				
TYPE	SHADE (inches)		SUN (inches)	
BAHIA GRASS	2	50.8mm	3	76.2mm
BERMUDA GRASS	1/2	12.7mm	1	25.4mm
BUFFALO GRASS	1-1/2	38.1mm	2-1/2	63.5mm
CARPET GRASS	1	25.4mm	2	50.8mm
CENTIPEDE GRASS	1	25.4mm	2	50.8mm
ST. AUGUSTINE GRASS	2	50.8mm	3	76.2mm
ZOYSIA GRASS	1/2	12.7mm	1	25.4mm

NOTE: The cutting height range for your mower is 1 in. - 3-1/2 in. 25.4mm - 88.9mm

WHEEL HEIGHT ADJUSTMENT (FIGURE 8)

1. **BEFORE MAKING ANY ADJUSTMENTS, TURN OFF, WAIT FOR BLADE TO STOP AND UNPLUG MOWER.**
2. Your mower features the Black & Decker one touch wheel height adjustment system. This system will adjust all four wheels at the same time.
3. To raise or lower the cutting height. See Figure 8. Rest the palm of your hand on the palm rest and with your fingers, squeeze upward on the finger grip and hold.
4. While holding the finger grip up you can raise or lower the cutting height. The mulcher has eight blade height adjustment positions. Refer to the scale and pointer (see Figure 8) at the front of the mower. The pointer will indicate the height setting for cutting your lawn. This setting can be a reference for the next time you want to cut your lawn at the same height. When you have the mower at the height you would like, simply release the finger grip to lock the height adjust.

Note: To ensure that the deck is securely locked in one of the eight positions, press down on the palm rest after releasing the finger grip.



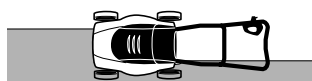
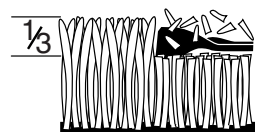
CUTTING HEIGHT POSITIONS		
Position	Cut	
1 (LOW)	1-1/4 in.	31.7mm
2	1-1/2 in.	38.1mm
3	1-3/4 in.	44.4mm
4	2 in.	50.8mm
5	2-1/2 in.	63.5mm
6	3 in.	76.2mm
7	3-1/4 in.	82.5mm
8 (HIGH)	3-1/2 in.	88.9mm

MULCHING TIPS

In the mulching configuration your new mower is designed to re-cut the grass clippings into short lengths.

These clippings, which are dispersed as you mow will biodegrade quickly and provide nutrients for the lawn.

- Set mower at highest cutting height when mowing in rough ground or in tall weeds.
- Do not cut the lawn when it is wet. Wet grass tends to form clumps with the mulching action. The best time to cut your lawn is in the afternoon.
- For best results, adjust the mower cutting height so that the mower cuts off only the top third of the grass blades.
- If your lawn is overgrown it may be necessary to increase the cutting height to reduce the pushing effect and prevent overloading the motor.
- For extremely heavy mulching make narrower cuts and mow slowly.
- Change your cutting pattern from week to week. Mow north to south one week and east to west the next week. This will help prevent matting and graining of the lawn.



CAUTION: Do not attempt to unclog the blade chamber by dropping or tapping the mower on the ground. This can damage the mower.

DISCHARGING (AVAILABLE AS AN OPTION AT EXTRA COST)

The mower, with optional discharge chute, can be used to discharge grass clippings back to the lawn.

1. Discharging may be necessary if the grass is too long to mulch or the bag fills too quickly.
2. Clippings may be further dispersed, if needed, by blowing them with a yard blower.
3. In heavy grass conditions, a narrower pass may be required

BAGGING

It is recommended to bag the clippings for the first few spring mowings and the last mowing of the season to discourage diseases.

1. Bagging the clipping is sometimes preferred to reduce tracking of clippings into pools, hot tubs, and homes.
2. Clippings can be added to your compost bin and used later for a natural fertilizer.

CLEANING AND STORAGE

DANGER: Be sure the mower is unplugged and the blade has stopped.

Remove and clean any debris from the outside of the mower and inside of guard before storage. Store under cover. See **MAINTENANCE** section.

Cleaning out the underside of the mower is done easiest immediately after mowing (**ENSURE MOWER IS UNPLUGGED AND BLADE HAS STOPPED**). A rag, crumpled newspaper or paper towels, can be used to wipe out caked clippings. Be careful of sharp edges of blade.

A clean mowing deck improves the efficiency of the blade and maintains high performance. When cleaning, **DO NOT** immerse mower in water or squirt it with a hose or pressure washer. Use only

mild soap and damp cloth to clean the mower. Never let any liquid get inside the mower; never immerse any part of the mower into a liquid.

NOTE: Do not store the mower on or adjacent to fertilizers or chemicals. Such storage can cause rapid corrosion to metal parts.

PREVENTING CORROSION

Fertilizers and other garden chemicals contain agents that greatly accelerate the corrosion of metals. If you use the mower in areas where fertilizers or chemicals have been used, the mower should be cleaned immediately afterwards.

Wipe all exposed parts with a damp cloth. You may lubricate only metal parts with a light petroleum based oil. Do not lubricate wheels.

MAINTENANCE

Before each mowing session unplug the mower and ensure that the blade has stopped. Check all nuts, bolts and screws to ensure proper tightness. Be sure to check the blade fastening system.

IMPORTANT: To assure product SAFETY and RELIABILITY, repairs, maintenance and adjustment should be performed by authorized service centers or other qualified service organizations. Use only identical replacement parts.

Inspect and thoroughly clean your mower at the beginning of each mowing season for longer life and better performance.

From time to time turn the mower off and wait for the blade to stop. Then unplug the power cord and turn the mower on its side. Using an object such as a stick or rag, wipe out any accumulation of grass in the blade area. Also clean out any grass or debris which may be packed around the discharge/mulch door area. Be careful of the sharp edges of the blade.

REMOVING AND INSTALLING BLADE (FIGURE 9,10,11)

1. **RELEASE SWITCH LEVER TO TURN MOWER OFF, WAIT FOR THE BLADE TO STOP, AND UNPLUG MOWER. THEN TURN THE MOWER OVER FOR ACCESS TO THE BLADE.**
2. Use a piece of 2x4 wood (about 2 feet long) to keep blade from turning while removing flange nut.
3. Wear gloves and proper eye protection. Be careful of sharp edges of blade. Position wood and remove flange nut as shown in Figure 9.
4. Remove square metal blade spacer, square plastic blade insulator, and blade (Figure 10). Examine blade insulator for damage and replace if necessary.
5. When replacing sharpened or new blade on shoulder of fan, make sure the "GRASS SIDE" on the blade will be facing the ground when the mower is returned to its normal upright position. After installing blade, place blade insulator on blade such that the raised lips on one side engage the edges of the blade. Then install the blade spacer so that it sits inside the raised lips on the other side of the blade insulator. Be sure to align the flats in the hole of the blade spacer with the flats of the shaft, rotating the blade and blade insulator together as necessary. Position piece of wood to keep blade from turning (Figure 11). Install flange nut with the flange against the blade spacer and securely tighten.

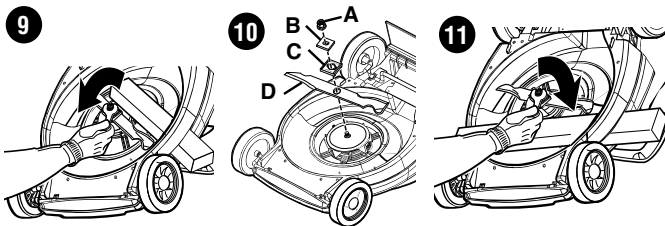
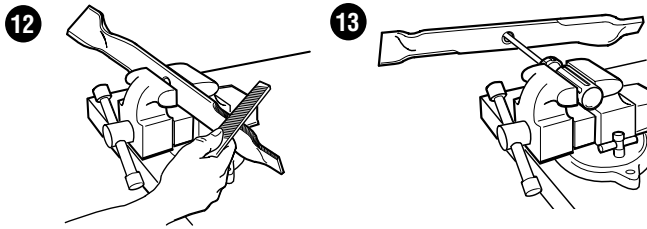


Fig. 10 A. nut, B. spacer, C. insulator, D. blade

SHARPENING AND BALANCING THE BLADE: (FIGURE 12,13)

1. **BE SURE THE SWITCH LEVER IS RELEASED AND THE BLADE HAS STOPPED AND THE CORD UNPLUGGED BEFORE REMOVING THE BLADE.**
2. At all times be careful of sharp edges of blade.
3. Remove blade from mower. See instructions for removing and installing blade.
4. Secure blade in a vise as shown in Figure 12.
5. Wear proper eye protection and be careful not to cut yourself.
6. Carefully file the cutting edges of the blade with a fine tooth file or sharpening stone, maintaining the original cutting angle.
7. Check balance of blade by placing center hole in blade over a nail or round shank screwdriver, clamped horizontally in a vise. If either end of the blade rotates down, file off additional material from that end. Blade is properly balanced when neither end drops. (Figure 13)

8. Replace blade on mower and tighten securely.



LUBRICATION:

No lubrication is necessary. Do not oil the wheels. They have plastic bearing surfaces which require no lubrication.

ACCESSORIES:

Recommended accessories for use with your tool are available from your local dealer or authorized service center. If you need assistance regarding accessories, please call: **1-800-544-6986**.

WARNING: The use of any accessory not recommended for use with this tool could be hazardous.

PROBLEM	CORRECTIVE ACTION
-Discharge/Bag plugging	<ul style="list-style-type: none"> - Turn mower off, wait for blade to stop and UNPLUG mower and carefully check blade for sharpness. - Grass may be too wet to cut. Wait for grass to dry. - Grass may be too wet, try again when grass is dry. - There is too much grass. Turn mower off, wait for blade to stop and UNPLUG mower and raise cutting height.

HERE ARE SOME HELPFUL HINTS TO GET THE MOST FROM YOUR BLACK & DECKER MOWER...AND KEEP YOUR LAWN LOOKING BEAUTIFUL

1. Lawns should first be mowed in the spring when the grass is about 2 1/2 to 3 inches high. Mowing too early restricts the grass root systems which renew themselves every spring. New grass should be clipped when it is about 2 1/2 inches high.
2. Do not remove too much grass blade surface at one time...never more than 1/3 of the leaf height during each cutting. Cutting too close "shocks" sensitive grass blades, resulting in a shallow root system and thus making it more difficult for your lawn to reach water in the soil.
3. Lawn care experts say that excessively close cutting is responsible for much of the difficulty experienced on many lawns. The depth and strength of the roots of grass are almost exactly proportional to its growth. Grasses of mature lawns often are seriously injured when mowed shorter than 1 1/2 inches, and a height of 1 1/2 to 2 inches is preferred on large lawns.
4. Mow your lawn when it is dry to avoid clumping of wet grass. If you have a choice, late afternoon is the ideal time for mowing, not only because the grass is dry, but also because the sensitive new cut area of the grass will not be exposed to intense sunlight.
5. Keep the mowing blade sharp for a nice clean cut. This improves the mower's performance and enhances the look of your lawn. A dull blade shatters and bruises the tips of the grass. This impairs the healthy growth of your lawn and increases susceptibility to turf diseases. If the grass tips are bruised it causes a brownish colour and gives your lawn an unhealthy appearance. A dull blade may also pull up young seedlings.
6. Try to mow your lawn at the same (consistent) cutting height. While there are times when you should vary the cutting height with the changing seasons, a consistent cutting height produces a healthier, lovelier lawn with generally fewer weeds. Mow more frequently during periods of fast growth. Frequent cutting ensures that the lower, less attractive portion of the grass will not show.
7. If your lawn has grown too long, (a vacation, for example, may interrupt your cutting schedule) mow at a cutting height one or two positions higher than normal. A second pass at "normal" cutting height a few days later will put your lawn back on schedule. Changing the cutting height is a simple matter with Black & Decker's One Touch Wheel Height Adjustment, which simultaneously adjusts all four wheels at once.
8. During the spring and fall, (or after an interruption to the cutting schedule) the grass will be longer and thicker. If the motor continually slows down while cutting, try setting the wheels for a higher cutting height. Excessive motor loading can result in uneven cutting, quicker discharge of the battery, and can cause the circuit breaker to trip, which stops the motor.
9. Three good ideas to enhance your lawn's appearance: Vary the mowing direction frequently; mow horizontally on hillsides; (this is also a good safety practice) and do not forget to overlap the mowing path on each pass.
10. Always mow grass so that clippings are discharged onto cut lawn. This will keep your lawn looking fresh by avoiding "Cut Grass" build-up which will eventually brown and appear ugly.

TROUBLE SHOOTING/CORRECTIVE ACTION GUIDE:

PROBLEM	CORRECTIVE ACTION
-Motor will not start	<ul style="list-style-type: none"> - Check fuse or circuit breaker to ensure power is to outlet - Check extension cord with another electrical device to ensure cord is good. - Call customer service representative 1-800-544-6986
-Motor keeps slowing down	<ul style="list-style-type: none"> - The underside of the mower may be plugged with clippings. Turn mower off, wait for blade to stop and UNPLUG mower and clean out. - Grass may be too tall, try pushing at a slower pace, or raise cutting height. - Check blade sharpness and balance, and correct if required. - If mulching, there is too much grass. Turn mower off, wait for blade to stop and UNPLUG mower and attach discharge chute to disperse grass
-Runs but poor cut results	<ul style="list-style-type: none"> - The blade may be dull. Turn mower off, wait for blade to stop and UNPLUG mower and carefully check for sharpness. - Blade may be damaged (bent or badly chipped). Turn mower off, wait for blade to stop and UNPLUG mower and replace if necessary. - Grass may be too high or thick for cutting height. Turn mower off, wait for blade to stop and UNPLUG mower and raise cutting height.
-Excess vibration	<ul style="list-style-type: none"> - Blade may be loose. Turn mower off, wait for blade to stop and UNPLUG mower then check blade for tightness. - Blade may be bent or badly chipped. Turn mower off, wait for blade to stop and UNPLUG mower and replace if necessary. - Blade may be unbalanced. Refer to blade balancing section of instruction manual.
-Mower is hard to push	<ul style="list-style-type: none"> - Mower is too close to the ground with the amount of grass being cut. Turn mower off, wait for blade to stop and UNPLUG mower and raise cutting height. - Turn mower off, wait for blade to stop and UNPLUG mower and check wheels and axles to ensure all are rotating easily.
-Mower leaves clumps of grass	<ul style="list-style-type: none"> - Turn mower off, wait for blade to stop and UNPLUG mower and raise cutting height. - If mulching, there is too much grass. Turn mower off, wait for blade to stop and UNPLUG mower and attach discharge chute to disperse grass

SERVICE INFORMATION

All Black & Decker Service Centers are staffed with trained personnel to provide customers with efficient and reliable power tool service. Whether you need technical advice, repair, or genuine factory replacement parts, contact the Black & Decker location nearest you. To find your local service location, refer to the yellow page directory under "Tools—Electric" or call: **1-800-544-6986** or visit **www.blackanddecker.com**

FULL TWO-YEAR HOME USE WARRANTY

Black & Decker (U.S.) Inc. warrants this product for two years against any defects in material or workmanship. The defective product will be replaced or repaired at no charge in either of two ways.

The first, which will result in exchanges only, is to return the product to the retailer from whom it was purchased (provided that the store is a participating retailer). Returns should be made within the time period of the retailer's policy for exchanges (usually 30 to 90 days after the sale). Proof of purchase may be required. Please check with the retailer for their specific return policy regarding returns that are beyond the time set for exchanges.

The second option is to take or send the product (prepaid) to a Black & Decker owned or authorized Service Center for repair or replacement at our option. Proof of purchase may be required. Black & Decker owned and authorized Service Centers are listed under "Tools-Electric" in the yellow pages of the phone directory.

This warranty does not apply to accessories. This warranty gives you specific legal rights and you may have other rights which vary from state to state or province to province. Should you have any questions, contact the manager of your nearest Black & Decker Service Center. This product is not intended for commercial use.

FREE WARNING LABEL REPLACEMENT: If your warning labels become illegible or are missing, call **1-800-544-6986** for a free replacement.

Deck Warranty

Lifetime Warranty for DECK only against any defects in material or workmanship.

This product is not intended for commercial use.



Imported by
Black & Decker (U.S.) Inc.,
701 E. Joppa Rd.
Towson, MD 21286 U.S.A.

See 'Tools-
Electric'
- Yellow Pages -
for Service &
Sales



BLACK & DECKER®



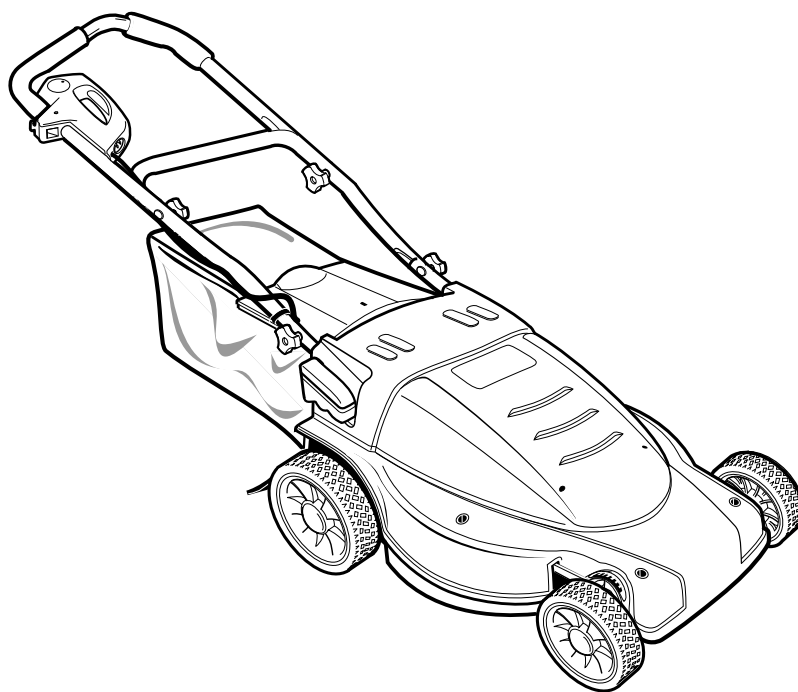
FRANÇAIS

LAWN HOG

TONDEUSE DÉCHIQUETEUSE 48 cm (19 po)

GUIDE D'UTILISATION

MODÈLE MM875



VOICI DES RENSEIGNEMENTS IMPORTANTS QU'IL VOUS FAUT SAVOIR :

- Châssis 3 en 1 avec garantie à vie-Déchiquetage, Éjection et Ensachage.
- Ne pas utiliser la tondeuse si la poignée n'est pas bloquée en position.
- Pour une meilleure coupe, maintenir la lame aiguisée et équilibrée.
- Examiner et nettoyer soigneusement la tondeuse après chaque utilisation (du gazon adhérent au châssis peut réduire le rendement).
- S'assurer que la surface à tondre est à l'écart de toute personne ou animal avant de démarrer et au cours de l'utilisation.

CONSERVER CE MANUEL POUR UN USAGE ULTÉRIEUR

MERCI D'AVOIR CHOISI BLACK & DECKER !
VISITEZ
WWW.BLACKANDDECKER.COM/NEWOWNER
POUR ENREGISTRER VOTRE NOUVEAU
PRODUIT.

**AVANT DE RETOURNER CE PRODUIT
POUR QUELQUE RAISON QUE CE SOIT,
COMPOSER LE
1-800-544-6986**

AVANT D'APPELER, AYEZ EN MAIN LE N° DE CATALOGUE ET LE CODE DE DATE.
DANS LA PLUPART DES CAS, UN REPRÉSENTANT DE BLACK & DECKER PEUT
RÉSOUTRE LE PROBLÈME PAR TÉLÉPHONE. SI VOUS AVEZ UNE SUGGESTION
OU UN COMMENTAIRE, APPELÉZ-NOUS. VOS
IMPRESSIONS SONT CRUCIALES POUR BLACK & DECKER.

▲ LIGNES DIRECTRICES EN MATIÈRE DE SÉCURITÉ - DÉFINITIONS

Il est important de lire et de comprendre ce mode d'emploi. Les informations qu'il contient concernent VOTRE SÉCURITÉ et visent à ÉVITER TOUT PROBLÈME. Les symboles ci-dessous servent à aider à reconnaître cette information.

▲ DANGER : indique une situation dangereuse imminente qui, si elle n'est pas évitée, entraînera la mort ou des blessures graves.

▲ AVERTISSEMENT : indique une situation potentiellement dangereuse qui, si elle n'est pas évitée, pourrait entraîner la mort ou des blessures graves.

▲ MISE EN GARDE : indique une situation potentiellement dangereuse qui, si elle n'est pas évitée, pourrait entraîner des blessures légères ou modérées.

MISE EN GARDE : utilisé sans le symbole d'alerte à la sécurité, indique une situation potentiellement dangereuse qui, si elle n'est pas évitée, pourrait entraîner des dommages matériels.

▲ AVERTISSEMENT : AVERTISSEMENTS DE SÉCURITÉ ET DIRECTIVES IMPORTANTES

▲ AVERTISSEMENT : si des outils électriques de jardinage sont utilisés, des précautions de base en matière de sécurité doivent être suivies afin de réduire le risque d'incendie, de choc électrique et de blessure corporelle, notamment les suivantes.

LIRE TOUTES CES DIRECTIVES

RÉDUCTION DES RISQUES ET DES BLESSURES :

- Avant tout usage, s'assurer que tout utilisateur de cet outil lise et comprenne toutes les consignes de sécurité ainsi que toute autre information comprise dans le présent mode d'emploi.
- Conserver ces directives et les passer fréquemment en revue avant d'utiliser l'appareil ou de donner des directives aux autres.

▲ DANGER MESURES DE SÉCURITÉ IMPORTANTES POUR TONDEUSE À CONDUCTEUR ACCOMPAGNANT

Cette tondeuse à gazon peut amputer les bras et les jambes et projeter des objets. Le non-respect des directives de sécurité ci-dessous peut provoquer de sérieuses blessures ou un décès.

UTILISATION GÉNÉRALE

1. Lire, comprendre et respecter les directives figurant sur la tondeuse et dans le mode d'emploi avant de commencer.
2. Ne pas approcher les mains ou les pieds de la tondeuse ou de sa partie inférieure. Toujours se tenir à l'écart de l'ouverture d'éjection.
3. Ne permettre qu'à des adultes responsables, familiers de ces directives, d'utiliser cette tondeuse.

4. Débarrasser la zone à tondre des objets tels les pierres, les tiges, les fils, les jouets, les os, etc., qui pourraient être projetés par la lame. Les objets heurtés par la lame peuvent causer de sévères blessures à des personnes. Se tenir derrière la poignée lorsque le moteur tourne.
5. S'assurer qu'il n'y a personne à proximité de la tondeuse avant l'utilisation. Tenir les curieux et les animaux à une distance sûre. Arrêter la tondeuse si quelqu'un pénètre dans la zone de tonte.
6. Ne pas utiliser l'appareil avec les pieds nus ou des sandales. Toujours mettre des chaussures épaisses.
7. Ne pas tirer la tondeuse vers l'arrière sauf en cas d'absolue nécessité. Regarder vers le bas et derrière soi avant et pendant tout déplacement en marche arrière.
8. Ne jamais diriger l'éjection en direction d'une personne. Éviter d'éjecter les substances contre un mur ou un obstacle. Les substances pourraient ricocher vers l'opérateur. Dégager la manette de l'interrupteur pour éteindre la tondeuse et arrêter la lame en traversant une zone graveleuse ou en basculant la poignée.
9. Ne pas utiliser la tondeuse sans installer le collecteur d'herbe, la protection de l'éjecteur, la protection arrière ou toute autre protection de sécurité en place et qui fonctionne. Vérifier régulièrement toutes les protections et tous les dispositifs de sûreté pour s'assurer qu'ils sont en bon état de fonctionnement afin d'assurer un fonctionnement adéquat selon sa fonction prévue. Remplacer toute protection ou autre dispositif de sûreté endommagé avant l'utilisation.
10. Ne jamais laisser une tondeuse en marche sans surveillance.
11. Toujours dégager la manette de commutation pour couper le moteur, attendre que la lame s'immobilise complètement et débrancher la tondeuse avant de nettoyer l'appareil, enlever le collecteur d'herbes, déboucher la protection de l'éjecteur avant de laisser la tondeuse ou avant tout réglage, dépannage ou vérification.
12. N'utiliser la tondeuse qu'à la lumière du jour ou avec un bon éclairage artificiel lorsque les objets situés dans le champ de la lame sont clairement visibles à partir du point d'opération de la tondeuse.
13. Ne pas utiliser la tondeuse sous l'emprise de l'alcool ou de drogues ou en cas de fatigue ou de maladie. Demeurer vigilant, surveiller le travail effectué, et faire preuve de jugement.
14. Éviter les conditions environnementales dangereuses. Ne jamais utiliser la tondeuse dans des endroits humides ou mouillés et ne jamais l'utiliser sous la pluie. Toujours s'assurer d'avoir le pied sûr; marcher; ne jamais courir.
15. Désengager le système d'entraînement, le cas échéant, avant de démarrer le moteur.
16. Si la tondeuse se met à vibrer de façon anormale, dégager la manette de l'interrupteur, attendre que la lame s'immobilise et débrancher la tondeuse, puis en rechercher immédiatement la raison. Une vibration signale généralement un problème.
17. Toujours mettre une protection respiratoire et pour les yeux durant l'utilisation de la tondeuse.
18. L'utilisation de tout accessoire ou pièce non recommandés avec cette tondeuse s'avère dangereuse. N'utiliser que les accessoires approuvés par Black & Decker.
19. Ne jamais trop tendre les bras en utilisant la tondeuse. Toujours s'assurer de conserver son équilibre à tout moment au cours de l'utilisation de la tondeuse.

UTILISATION SUR UNE PENTE

Les pentes sont un facteur majeur de glissades et de chutes, qui peuvent entraîner de graves blessures. L'utilisation sur toutes les pentes demande une attention particulière. Ne pas tondre une pente sur laquelle on ne se sent pas à l'aise.

1. Tondre les pentes en diagonale, jamais de haut en bas. Être extrêmement prudent lors des virages sur les pentes.
2. Faire attention aux trous, ornières, rebonds, pierres ou autres objets cachés. Une surface inégale peut provoquer une glissade ou une chute. Une herbe haute peut cacher des obstacles.
3. Ne pas tondre une herbe mouillée ou des pentes excessivement escarpées. Un équilibre instable peut provoquer une glissade ou une chute.
4. Ne pas tondre près des falaises, des fossés ou des talus. Il y a un risque de perdre sa stabilité ou son équilibre.

ENFANTS

Des incidents tragiques peuvent survenir si l'opérateur n'est pas vigilant en présence d'enfants. Les enfants sont parfois attirés par la tondeuse et l'opération de tonte. Ne jamais supposer qu'un enfant est resté au dernier endroit où il a été vu.

1. Tenir les enfants à l'écart de la zone de tonte et sous la surveillance attentive d'un adulte responsable autre que l'opérateur.
2. Rester vigilant et arrêter la tondeuse si un enfant pénètre dans la zone.
3. Ne jamais laisser un enfant utiliser la machine.
4. Être très prudent aux environs des virages, arbustes, arbres ou autres objets qui peuvent vous empêcher de voir un enfant.

RÉVISION GÉNÉRALE


1. Ne jamais utiliser la tondeuse dans un endroit clos.
2. Maintenir tous les écrous et les boulons serrés pour s'assurer que le matériel est en bon état de fonctionnement.
3. Ne jamais altérer le dispositif de sécurité. S'assurer régulièrement de son fonctionnement adéquat.
4. Éviter l'accumulation d'herbe, de feuilles et d'autres débris sur la tondeuse. Laisser la tondeuse refroidir avant de la stocker.
5. En cas de choc contre un obstacle, dégager la manette de l'interrupteur pour éteindre la tondeuse, attendre que la lame s'immobilise puis débrancher et examiner la tondeuse. Réparer tout dommage avant de démarrer et d'utiliser la tondeuse.
6. Ne jamais effectuer de réglages ou de réparations lorsque le moteur est en marche ni lorsque la tondeuse est branchée.
7. Toujours débrancher la tondeuse électrique avant les réglages, le nettoyage, le dépannage, l'inspection, le transport, le stockage, ou avant de la laisser.
8. Contrôler régulièrement les composants du collecteur d'herbes et la protection de l'éjecteur et en cas de besoin n'utiliser que des pièces de rechanges recommandées par Black & Decker.
9. Les lames de tondeuses sont tranchantes. Recouvrir la lame ou mettre des gants, et être très prudent lors de l'entretien.
10. Prendre soin ou remplacer les étiquettes et les directives de sécurité, au besoin.

⚠ AVERTISSEMENT : AVERTISSEMENTS ET DIRECTIVES DE SÉCURITÉ GÉNÉRALE POUR TOUS LES OUTILS

- **CET OUTIL PEUT ÊTRE DANGEREUX.** Respecter tous les avertissements et directives de sécurité contenues dans ce manuel. L'opérateur est responsable du respect des avertissements et directives de sécurité contenus dans ce manuel et indiqués sur la machine. Restreindre l'usage de cette tondeuse à des personnes capables de lire, de comprendre et de respecter les avertissements et directives de sécurité contenus dans ce manuel et indiqués sur la machine.
- **RANGER LA TONDEUSE INUTILISÉE À L'INTÉRIEUR.** Lorsqu'elle n'est pas utilisée, la tondeuse doit être rangée à l'intérieur dans un endroit sec et verrouillé - hors de la portée des enfants.
- **NE PAS FORCER LA TONDEUSE.** Elle fera un meilleur travail à la vitesse pour laquelle elle a été conçue, et ce, sans risque de blessure.
- **UTILISER L'APPAREIL ÉLECTRIQUE APPROPRIÉ.** Ne pas utiliser la tondeuse pour une autre application que celle pour laquelle elle a été prévue.
- **S'HABILLER DE MANIÈRE APPROPRIÉE.** Ne pas porter de vêtements amples ni de bijoux. Ils peuvent s'enchevêtrer dans les pièces mobiles. Des gants de caoutchouc, des pantalons longs et des chaussures antidérapantes sont recommandés pour les travaux à l'extérieur.
- **UTILISER DES LUNETTES DE SÉCURITÉ ET TOUT AUTRE ÉQUIPEMENT DE SÉCURITÉ.** Utiliser des lunettes de sécurité munies de protecteurs latéraux conformes aux normes en matière de sécurité et, le cas échéant, un protecteur facial. Utiliser également un masque facial ou anti-poussières si l'opération génère de la poussière. Ces directives s'appliquent à toutes les personnes dans la zone de travail. Utiliser aussi un casque de sécurité, des protecteurs auditifs, des gants, des chaussures sécuritaires et des systèmes de dépoussiérage lorsque prévus ou exigés. Des lunettes de sécurité et accessoires similaires sont disponibles pour l'achat chez votre détaillant ou à votre centre de réparation Black & Decker.
- **NE PAS UTILISER ABUSIVEMENT LE CORDON.** Ne jamais transporter la tondeuse par son cordon ou tirer sur ce dernier pour le débrancher du réceptacle. Tenir le cordon éloigné de la chaleur, de l'huile et des bords tranchants.

- **PRENDRE SOIN DE LA TONDEUSE.** Maintenir les arêtes de coupe tranchantes et propres afin d'assurer la meilleure performance et pour réduire le risque de blessures. Suivre les consignes de graissage et de changement d'accessoires. Inspecter régulièrement la tondeuse, en cas de dommages, la faire réparer par un centre de réparation autorisé. Inspecter régulièrement les rallonges électriques et les remplacer si endommagées. Maintenir les poignées sèches, propres et exemptes d'huile et de graisse.
- **ÉVITER UN RISQUE DE DÉMARRAGE ACCIDENTEL.** Ne pas transporter l'appareil électrique branché alors que le doigt repose sur l'interrupteur. S'assurer que l'interrupteur est à la position arrêt au moment de brancher l'outil.
- **AVANT UTILISATION,** toujours effectuer un examen visuel pour s'assurer que la lame, les attaches de la lame et le module de coupe ne sont pas usés ou endommagés. Réparer ou remplacer les lames et les attaches endommagées en même temps, pour maintenir l'équilibre. Examiner le cordon de la tondeuse - s'assurer qu'elle est en bon état. L'isolation du cordon doit être intacte, sans fissures ni brèches.
- **POUR RÉDUIRE LE RISQUE DE CHOCS ÉLECTRIQUES,** cette tondeuse comporte des lames à fiches polarisées (une lame est plus large que l'autre) et exigera l'utilisation d'une rallonge polarisée. La fiche de la tondeuse ne se branchera que d'une seule façon dans une rallonge polarisée. Si la fiche ne s'insère pas totalement dans la rallonge, la renverser. Si la prise ne s'insère toujours pas, rechercher une rallonge polarisée appropriée. Une rallonge polarisée exigera l'utilisation d'une prise murale polarisée. La fiche de la rallonge ne se branchera que d'une seule façon dans une prise murale polarisée. Si la fiche ne s'insère pas totalement dans la prise murale, renversez-la. Si elle ne s'insère toujours pas dans la prise, demandez à un électricien compétent d'installer une prise murale polarisée appropriée. Ne modifiez en aucune façon la fiche de l'appareil, la prise ou la fiche de la rallonge.
- **RALLONGES.** S'assurer que la rallonge est en bon état. L'isolation du cordon doit être intacte, sans fissures ni brèches. Les prises de connexion doivent être intactes. Lorsqu'une rallonge est utilisée, s'assurer d'en utiliser une de calibre suffisant pour assurer le transport du courant nécessaire au fonctionnement de l'appareil. Un cordon de calibre inférieur causera une chute de tension de ligne et donc une perte de puissance et une surchauffe, qui peuvent réduire la durée de vie du moteur. Le tableau indique le calibre approprié à utiliser selon la longueur du cordon et l'intensité nominale de la plaque signalétique. En cas de doute, utiliser le calibre supérieur suivant. Plus le numéro de calibre est petit, plus le cordon est lourd.

Tension	Calibre minimal des cordons de rallonge				
	Longueur totale du cordon en pieds				
120V	0-25	26-50	51-100	101-150	
	(0-7,6m)	(7,6-15,2m)	(15,2-30,4m)	(30,4-45,7m)	
240V	0-50	51-100	101-200	201-300	
	(0-15,2m)	(15,2-30,4m)	(30,4-60,9m)	(60,9-91,4m)	
Intensité (A)		Calibre moyen des fils (AWG)			
Au moins	Au plus				
0	- 6	18	16	16	14
6	- 10	18	16	14	12
10	- 12	16	16	14	12
12	- 16	14	12	Non recommandé	

-  indique que la tondeuse est « À DOUBLE ISOLATION ».
- **AVERTISSEMENT D'UTILISATION DE RALLONGES EN EXTÉRIEUR :** Afin de réduire le risque de choc électrique, utiliser cet outil uniquement avec une rallonge destinée à une utilisation à l'extérieur, comme les rallonges SW-A, SOW-A, STW-A, STOW-A, SJW-A, SJOW-A, SJTW-A ou SJTOW-A.
- **UN DISJONCTEUR DE FUITE DE TERRE** doit être installé pour protéger les circuits ou prises utilisés pour cette tondeuse. Des prises avec disjoncteur de fuite de terre intégré sont aussi disponibles et peuvent être utilisées comme mesure de sécurité.
- **VÉRIFIER QUE LES PIÈCES NE SONT PAS ENDOMMAGÉES.** Si un dispositif de protection, ou toute autre pièce, est endommagé, il faut faire examiner soigneusement l'outil, avant toute utilisation ultérieure, afin d'assurer un fonctionnement adéquat selon sa fonction prévue. Vérifier l'alignement des pièces mobiles, la présence de grippage des pièces mobiles et de rupture de pièces, l'assemblage et tout autre problème pouvant nuire au fonctionnement de l'outil. Un dispositif de protection endommagé, ou toute autre pièce endommagée, doit être réparé ou remplacé adéquatement par un centre de réparation autorisé à moins d'un avis contraire indiqué dans le présent mode d'emploi.

- **RÉPARATIONS ET ENTRETIEN.** Les réparations, l'entretien et tout réglage non précisés dans ce mode d'emploi devraient être effectués à un centre de réparation autorisé Black & Decker ou à tout autre centre de réparation professionnel. Utiliser toujours des pièces de rechange identiques.

⚠ DANGER : AVERTISSEMENTS SUPPLÉMENTAIRES POUR TONDEUSES

- **TOUJOURS** tenir fermement la poignée à deux mains durant l'utilisation de la tondeuse.
- **NE JAMAIS** mettre d'écouteur de radio ou de musique pendant l'utilisation de la tondeuse.
- **ATTACHER** les cheveux longs.
- **NE JAMAIS** effectuer un réglage de la hauteur de la roue alors que le moteur est en marche ou lorsque la tondeuse est branchée.
- **SI LA TONDEUSE** s'accroche, dégager la manette de l'interrupteur pour éteindre la tondeuse, attendre l'immobilisation de la lame et débrancher le cordon avant de désencrasser la goulotte ou d'enlever des substances de dessous le châssis.
- **TENIR LES MAINS** et les pieds éloignés de la zone de coupe.
- **MAINTENIR LES LAMES** affûtées. Toujours mettre des gants de protection en manipulant la lame de la tondeuse.
- **EN CAS** d'utilisation d'un collecteur d'herbe, le vérifier régulièrement pour détecter l'usure et les dommages. En cas d'usure excessive, remplacer avec un nouveau sac pour votre sécurité.
- **FAIRE TRÈS ATTENTION** au cours d'une marche arrière ou en tirant la tondeuse vers vous.

⚠ AVERTISSEMENT : certaines poussières produites par ce produit contiennent des produits chimiques identifiés par l'État de Californie comme pouvant causer le cancer, des anomalies congénitales et d'autres dangers pour la reproduction. Voici quelques exemples de ces produits chimiques :

- composés présents dans les engrais
- composés présents dans les insecticides, herbicides et pesticides
- arsenic et chrome provenant de bois traité chimiquement

Afin de réduire votre exposition à ces produits chimiques, utiliser un équipement de sécurité approuvé comme un masque anti-poussières spécialement conçu pour filtrer les particules microscopiques.

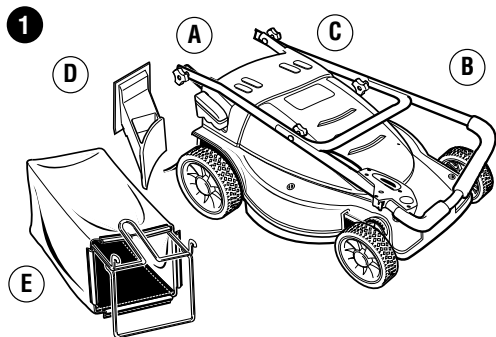
⚠ AVERTISSEMENT : ce produit contient des produits chimiques, notamment le plomb, identifiés par l'État de Californie comme étant cancérigènes et pouvant entraîner des anomalies congénitales et d'autres dangers relatifs à la reproduction. Se laver les mains après toute manipulation.

CONSERVER CES DIRECTIVES

DIRECTIVES DE MONTAGE

AVANT D'ASSEMBLER LA TONDEUSE, S'ASSURER QUE TOUTES LES PIÈCES SUIVANTES SE TROUVENT DANS L'EMBALLAGE. VOIR LA FIGURE 1.

- Tondeuse
- Partie supérieure du guidon
- Partie inférieure du guidon
- Pièce rapportée de déchetage (dans la tondeuse près de la porte arrière)
- Sac à herbe et cadre du sac

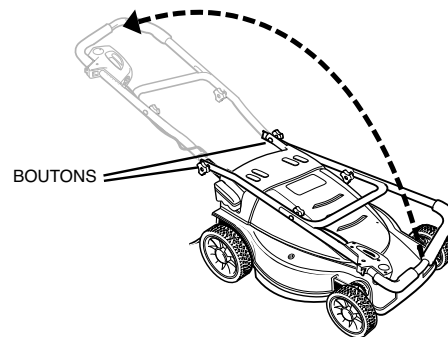


DÉBALLAGE

1. L'emballage de la tondeuse renferme la tondeuse, deux parties du guidon (fixées), une pièce rapportée de déchetage et un sac à herbe avec un cadre.
2. La tondeuse a été complètement montée en usine, à l'exception du sac à herbe. Sortir le cadre du sac à herbe, le sac à herbe, la tondeuse et les matériaux d'emballage.

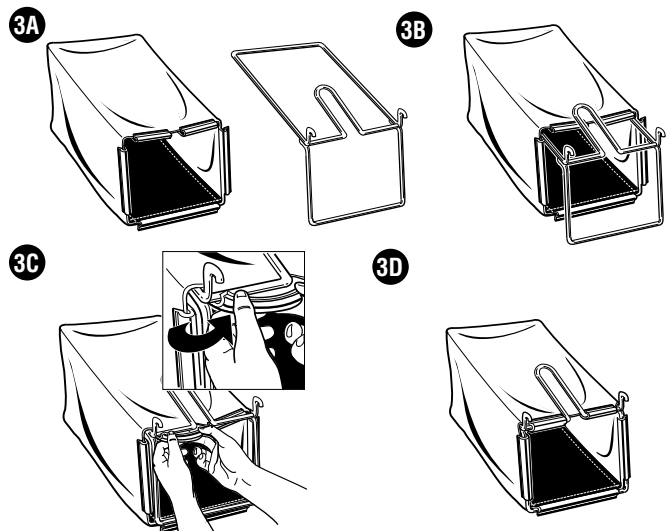
DÉPLIAGE ET RÉGLAGE DU GUIDON (FIGURE 2)

1. **DÉBRANCHER L'OUTIL ET ATTENDRE L'IMMOBILISATION COMPLÈTE DE LA LAME.**
2. Soulever le guidon en place et le fixer en serrant les deux boutons. Prendre soin de ne pas pincer ni endommager le cordon d'alimentation lors du réglage du guidon.
3. Il y a trois trous dans la partie supérieure du guidon permettant d'en régler la hauteur à trois positions. Choisir le trou convenant le mieux à sa taille. Installer les boulons du côté intérieur du guidon de sorte que les boutons se trouvent du côté extérieur (afin de ne pas nuire au fonctionnement de la porte arrière et du sac). Bien serrer les boutons.



ASSEMBLAGE DU COLLECTEUR D'HERBE (FIGURES 3A, 3B, 3C ET 3D)

1. Avant de monter le sac sur le cadre, vérifier le sac et le cadre pour s'assurer qu'ils correspondent à ceux illustrés à la figure 3A.
2. Faire glisser le sac sur le cadre de la façon illustrée à la figure 3B.
3. Commencer par fixer les pinces supérieures (fig. 3C), puis les deux pinces latérales et, enfin, la pince inférieure.
4. Le collecteur d'herbe entièrement assemblé est illustré à la figure 3D.



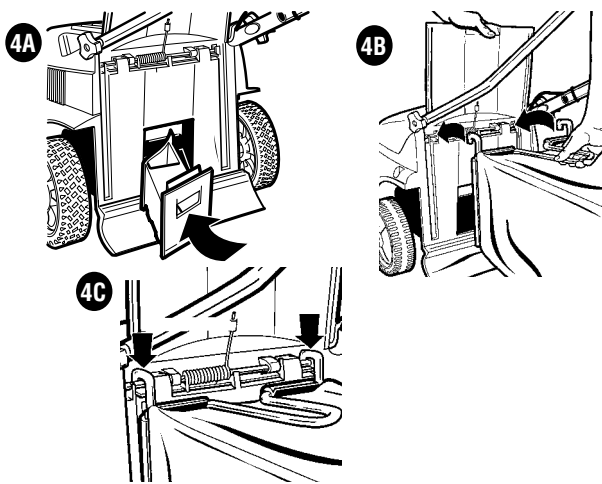
DÉCHIQUETAGE

La tondeuse est conçue pour déchiqeter ou éjecter l'herbe en fonction de la présence ou non du protecteur de l'éjecteur et si le panneau de la déchiqeteuse est fermé (mode déchiqetage) ou si le panneau est relevé et que la goulotte à éjection est en position (mode éjection de l'herbe). Aucune étape supplémentaire de montage n'est nécessaire pour le déchiqetage. PASSER AUX DIRECTIVES D'UTILISATION.

INSTALLATION DU SAC À HERBE (FIGURES 4A, 4B ET 4C) (Faire ce qui suit pour ensacher les brins d'herbes plutôt que de les déchiqeter.)

1. DÉBRANCHER L'OUTIL ET ATTENDRE L'IMMOBILISATION COMPLÈTE DE LA LAME.
2. Soulever la porte d'éjection arrière comme le montre la figure 4A.
3. Placer la main dans le creux illustré à la figure 4A, puis soulever et retirer complètement la pièce rapportée de déchiqetage.
4. Soulever le sac à herbe par sa poignée et l'abaisser entre le guidon de la tondeuse (fig. 4B). Placer les crochets du sac à herbe sur la tondeuse de la manière illustrée à la figure 4C. La porte d'éjection arrière comporte un ressort. Lorsqu'on la relâche, elle repose contre le dessus du sac.

⚠ DANGER : Ne jamais utiliser la tondeuse si les crochets du support du sac à herbe ne sont pas bien installés sur la tondeuse et si la porte d'éjection arrière ne repose pas bien contre le dessus du sac à herbe.



INSTALLATION DE LA PIÈCE RAPPORTÉE DE DÉCHIQUETAGE

1. DÉBRANCHER L'OUTIL ET ATTENDRE L'IMMOBILISATION COMPLÈTE DE LA LAME.
2. Soulever la porte d'éjection arrière comme le montre la figure 4A.
3. Faire glisser la pièce rapportée de déchiqetage dans l'ouverture d'éjection jusqu'à ce que la pièce entre fermement en contact avec le châssis de la tondeuse.
4. Relâcher le panneau arrière et s'assurer qu'il est correctement fermé.

DIRECTIVES D'UTILISATION

REMARQUE : Une tondeuse à gazon est un appareil électrique majeur et ne devrait pas être utilisée en même temps que d'autres appareils majeurs sur le même circuit domestique.

⚠ AVERTISSEMENT : s'assurer que toutes les personnes et animaux sont éloignés d'au moins 30,5 m (100 pi).

INSPECTION DE LA ZONE DE COUPE

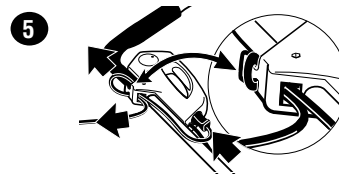


Enlever les objets tels les pierres, les tiges, les fils, les jouets, les os et autres débris ou objets qui pourraient être projetés par les lames pivotantes.

RACCORDEMENT DE LA RALLONGE À LA TONDEUSE (FIGURE 5)

NE PAS brancher la rallonge à la source d'alimentation avant d'avoir terminé la lecture de ce manuel et de pouvoir commencer la tonte.

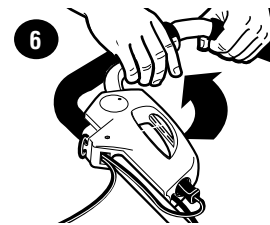
1. La rallonge doit être polarisée et ne se branchera que d'une façon, orienter la rainure avec la large broche dans le boîtier du commutateur.
2. Enrouler la rallonge et appuyer pour l'enfoncer à travers l'ouverture dans le boîtier de l'interrupteur.
3. Tirer la rallonge du côté de la boucle qui est connectée dans le boîtier du commutateur et supprimer tout le mou de cette partie de la rallonge.
4. Placer la boucle sur le panneau de renfort sur le boîtier et tirer la rallonge afin que la boucle soit entraînée vers le bas autour du panneau de renfort comme montré sur le schéma. Vérifier pour s'assurer que la rallonge n'a pas été desserrée.



UTILISATION DE L'INTERRUPTEUR (FIGURE 6)

La tondeuse est équipée d'un interrupteur spécial. Pour actionner l'interrupteur, insérer le doigt dans l'ouverture (Figure 6) et pousser la manette de façon à pouvoir l'attraper avec l'autre main. Tirer la manette vers l'arrière pour allumer l'appareil et la maintenir contre la poignée de la tondeuse pour la garder en marche. Pour arrêter la tondeuse, relâcher simplement la manette. La manette à ressort « SNAP ACTION » éteindra instantanément la tondeuse.

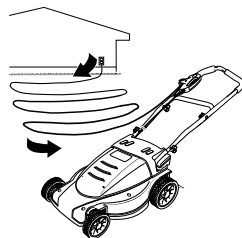
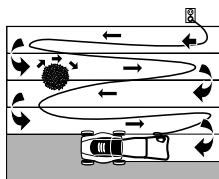
⚠ AVERTISSEMENT : NE JAMAIS ANNULER L'OPÉRATION.



RALLONGE À LA PRISE ÉLECTRIQUE (FIGURE 7)

1. Placer la plus grande partie de la rallonge près de la prise électrique, hors de la trajectoire de la tondeuse. Raccordement de la rallonge à la tondeuse.
2. Commencer dans la direction où la rallonge est plus proche de la prise. Commencer la tonte dans la zone la plus proche de la prise et tondre dans un mouvement de va-et-vient. Remarque : le cordon est maintenu sur la portion tondue de la pelouse et hors de la trajectoire de la tondeuse. (FIGURE 7)
3. Éviter de tondre en cercles sinon le cordon sera difficile à manoeuvrer.

7



HAUTEUR APPROXIMATIVE DE COUPE RECOMMANDÉE

La coupe devrait être plus haute par temps chaud et plus courte lors de la dernière coupe avant l'hiver.

PELOUSE - TEMPÉRATURES FRAÎCHES		
TYPE	OMBRE	SOLEIL
HERBE RECOURBÉE RAMPANTE	33,7 mm (1 1/3 po)	16,7 RAMPANTE mm (2/3 po)
HERBE RECOURBÉE VELOURS	6,3 mm (1/4 po)	12,7 mm (1/2 po)
PATURIN DES PRÉS	12,5 mm (1/2 po)	25,4 mm (1 po)
PATURIN COMPRIMÉ	76,2 mm (3 po)	101,6 mm (4 po)
HERBE BLEUE DU KENTUCKY	63,5 mm (2 1/2 po)	76,2 mm (3 po)
PTURIN DES PRÉS	25,4 mm (1 po)	38,1 mm (1 1/2 po)
BROME	76,2 mm (3 po)	101,6 mm (4 po)
HERBE « RESCUE » FINE	38,1 mm (1 1/2 po)	63,5 mm (2 1/2 po)
HERBE « RESCUE » HAUTE	63,5 mm (2 1/2 po)	101,6 mm (4 po)
FROMENTAL	50,8 mm (2 po)	63,5 mm (2 1/2 po)

PELOUSE - TEMPÉRATURES CHAUDES		
TYPE	OMBRE	SOLEIL
HERBE DE BAHIA	50,8 mm (2 po)	76,2 mm (3 po)
HERBE DES BERMUDES	12,7 mm (1/2 po)	25,4 mm (1 po)
HERBE DE BUFFALO	38,1 mm (1 1/2 po)	63,5 mm (2 1/2 po)
HERBE « CARPET »	25,4 mm (1 po)	50,8 mm (2 po)
HERBE « CENTIPEDE »	25,4 mm (1 po)	50,8 mm (2 po)
HERBE « ST. AUGUSTINE »	50,8 mm (2 po)	76,2 mm (3 po)
HERBE « ZOYSIA »	12,7 mm (1/2 po)	25,4 mm (1 po)

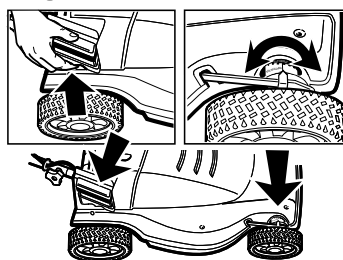
REMARQUE : La plage de hauteur pour cette tondeuse est de 25,4 mm à 88,9 mm (1 po à 3 1/2 po)

RÉGLAGE DE LA HAUTEUR DES ROUES (FIGURE 8)

1. AVANT D'EFFECTUER DES RÉGLAGES, ÉTEINDRE LA TONDEUSE, ATTENDRE QUE LA LAME S'IMMOBILISE ET DÉBRANCHER L'APPAREIL.
2. La tondeuse est dotée du système monotouche de réglage de la hauteur des roues de Black & Decker. Ce système permet de régler simultanément la hauteur des quatre roues.
3. Pour augmenter ou diminuer la hauteur de coupe, voir la figure 8. Placer la paume de la main sur l'appuie-main et se servir de ses doigts pour agripper la prise vers le haut et la retenir.
4. Tout en maintenant la prise à doigt, il est possible de relever ou d'abaisser la hauteur de coupe. La déchiqueteuse dispose de huit réglages de hauteur de lame. Se reporter à l'échelle et au pointeur (consulter la figure 8) situés à l'avant de la tondeuse. Le pointeur indiquera la position de la hauteur pour la coupe de la pelouse. La hauteur indiquée peut alors servir de référence pour la prochaine coupe à la même hauteur. Lorsque la tondeuse est à la hauteur souhaitée, relâcher simplement la prise à doigt pour bloquer le réglage de hauteur.

Note : Pour s'assurer que le châssis de la tondeuse est bien bloqué dans l'une des huit positions, abaisser l'appuie-main après avoir relâché la prise des doigts.

8



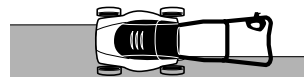
POSITIONS POUR LA HAUTEUR DE COUPE

Position	Hauteur de coupe
1 (BASSE)	31,7 mm (1 1/4 po)
2	38,1 mm (1 1/2 po)
3	44,4 mm (1 3/4 po)
4	50,8 mm (2 po)
5	63,5 mm (2 1/2 po)
6	76,2 mm (3 po)
7	82,5 mm (3 1/4 po)
8 (ÉLEVÉE)	88,9 mm (3 1/2 po)

CONSEILS D'UTILISATION DES DÉCHIQUETEUSES

Dans la configuration de déchiquetage cette nouvelle tondeuse est conçue pour la recoupe de l'herbe taillée en brins courts. Ces brins qui sont dispersés pendant l'utilisation de la tondeuse se biodégradent rapidement et fournissent des nutriments pour la pelouse.

- Régler la tondeuse à la hauteur maximale de coupe lorsque la tondeuse est utilisée sur un sol rugueux ou sur des grandes broussailles.
- Ne pas tailler la pelouse lorsqu'elle est mouillée. L'herbe mouillée a tendance à former des paquets sous l'action des déchiqueteuses. L'après-midi est le meilleur moment pour tailler une pelouse.
- Pour obtenir de meilleurs résultats, régler la hauteur de coupe de la tondeuse à gazon pour qu'elle ne coupe que le tiers supérieur des brins d'herbes.
- Si votre pelouse est broussailleuse il pourrait être nécessaire d'augmenter la hauteur de coupe pour réduire l'effet de poussée et éviter la surcharge du moteur.
- Pour un déchiquetage extrêmement difficile faire des passages étroits et tondre lentement.
- Changer le sens de coupe chaque semaine. Tondre du Nord au Sud une semaine et de l'Est à l'Ouest la semaine suivante. Ceci permettra d'éviter l'enchevêtrement ou le lignage de la pelouse.



⚠ MISE EN GARDE : Ne pas tenter de désencrasser le boîtier de la lame en jetant ou en tapotant la tondeuse contre le sol. Ceci peut endommager la tondeuse.

COULOIR D'ÉJECTION (VENDU SÉPARÉMENT)

La tondeuse peut servir avec un couloir d'éjection (vendu séparément) afin de disperser l'herbe coupée sur la pelouse.

1. Il peut être nécessaire d'éjecter les brindilles si l'herbe est trop longue pour être déchiquetée ou si le sac à herbe se remplit trop rapidement.
2. On peut disperser les brindilles un peu plus, le cas échéant, à l'aide d'une souffleuse.
3. Lorsque l'herbe est haute, il est conseillé de faire des passes étroites.

SAC À HERBE

Il est conseillé d'ensacher l'herbe de la première coupe du printemps et de la dernière tonte de la saison afin d'éviter les maladies.

1. On préfère parfois ensacher l'herbe pour éviter qu'elle ne se retrouve dans la piscine, dans les bains tourbillons ou dans la maison.
2. On peut verser les brindilles dans le compost et s'en servira plus tard comme fertilisant naturel.

NETTOYAGE ET RANGEMENT

⚠ DANGER : S'assurer que la tondeuse est débranchée et que la lame soit immobile.

Enlever et nettoyer chaque débris de l'extérieur de la tondeuse et du protège-lame avant le rangement. Ranger sous une couverture. Voir la section **ENTRETIEN**.

Le nettoyage de la face inférieure de la tondeuse est plus facile immédiatement après la tonte (**S'ASSURER QUE LA TONDEUSE EST DÉBRANCHÉE ET QUE LA LAME SOIT IMMOBILE**). Un chiffon, un papier froissé ou un papier essuie-tout, peuvent être utilisés pour nettoyer l'herbe accumulée. Faire attention aux arêtes tranchantes de la lame.

Un châssis de tondeuse propre améliore l'efficacité de la lame et maintient un rendement élevé. Lors du nettoyage, **NE PAS immerger** la tondeuse dans l'eau ou l'arroser avec un flexible ou avec une laveuse haute pression. N'utiliser qu'un détergent doux et un chiffon humide pour nettoyer la tondeuse. Ne jamais laisser un liquide pénétrer dans la tondeuse; ne jamais immerger une partie de la tondeuse dans un liquide.

REMARQUE : Ne pas ranger la tondeuse sur des engrais ou des produits chimiques ou près de ceux-ci. Ce genre de rangement peut provoquer une rapide corrosion des pièces métalliques.

PRÉVENTION DE LA CORROSION

Les engrais et autres produits chimiques de jardin renferment des agents qui accélèrent gravement la corrosion du métal. Après utilisation de la tondeuse dans des endroits où des engrais ou des produits chimiques ont été utilisés, la tondeuse doit être ensuite immédiatement nettoyée.

Essuyer toutes les pièces exposées avec un chiffon humide. Lubrifier uniquement les pièces métalliques avec de l'huile à base de pétrole léger. Ne pas lubrifier les roues.

ENTRETIEN

Avant chaque tonte débrancher la tondeuse et s'assurer que la lame soit immobile. Vérifier tous les écrous, les boulons et les vis pour s'assurer que le serrage est adéquat. S'assurer de la vérification du système de fixation de la lame.

IMPORTANT : Pour garantir la **SÉCURITÉ** et la **FIABILITÉ** du produit, les réparations, l'entretien et le réglage doivent être effectués par un centre de dépannage agréé ou autre centre professionnel de dépannage. Utiliser uniquement des pièces de rechange identiques.

Inspecter et nettoyer soigneusement la tondeuse au début de chaque saison de tonte pour une durée de vie prolongée et un meilleur rendement.

De temps à autre, éteindre la tondeuse et attendre que la lame s'immobilise. Débrancher ensuite le cordon d'alimentation et tourner la tondeuse sur le côté. À l'aide d'un objet comme une tige ou un chiffon, nettoyer toute accumulation d'herbe aux alentours de la lame. Nettoyer également toute herbe ou débris qui pourraient s'accumuler autour de l'orifice d'éjection ou de déchiquetage. Faire attention aux arêtes tranchantes de la lame.

RETRAIT ET INSTALLATION DE LA LAME (FIGURE 9, 10, 11)

- DÉGAGER LA MANETTE DE L'INTERRUPTEUR POUR ÉTEINDRE LA TONDEUSE, ATTENDRE QUE LA LAME S'IMMOBILISE, ET DÉBRANCHER LA TONDEUSE. TOURNER ENSUITE LA TONDEUSE POUR ACCÉDER À LA LAME.**
- Utiliser une pièce en bois de 2x4 (environ 2 pieds de longueur) pour empêcher la lame de tourner lors du retrait de l'écrou à embase.
- Porter des gants et des lunettes de protection appropriées. Faire attention aux arêtes tranchantes de la lame. Placer le morceau de bois et enlever l'écrou à embase comme indiqué à la figure 9.
- Enlever la cale métallique carrée de la lame, l'isolant plastique carré de la lame, et la lame (Figure 10). Examiner les défauts de l'isolant de la lame et le remplacer si nécessaire.
- Lors du remplacement d'une lame aiguisée ou neuve sur l'épaulement du ventilateur, prendre garde que le « **CÔTÉ GAZON** » de la lame fera face au sol lorsque la tondeuse sera retournée à sa position verticale normale. Après l'installation de la lame, placer l'isolant de la lame sur la lame de sorte que les bords élevés sur un côté engagent les bordures de la lame. Installer ensuite la cale de la lame afin qu'elle reste à l'intérieur des bords élevés de l'autre côté de l'isolant de la lame. S'assurer de bien aligner les méplats dans le trou de la cale de la lame avec les méplats de l'arbre, tournant ensemble la lame et l'isolant de la lame comme indiqué. Positionner une pièce de bois pour empêcher la lame de tourner (Figure 11). Installer les écrous à embase avec la bride contre la cale de la lame et serrer fermement.

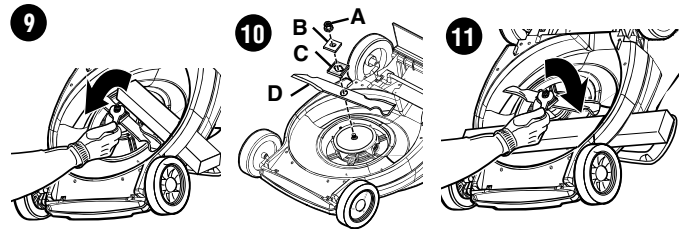
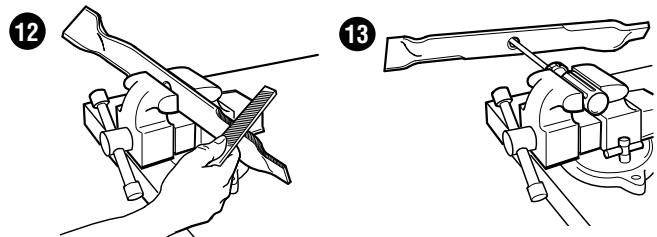


Fig. 10 A. écrou, B. cale, C. isolant, D. lame

AFFÛTAGE ET ÉQUILIBRAGE DE LA LAME : (FIGURE 12, 13)

- S'ASSURER QUE LA MANETTE DE L'INTERRUPTEUR EST DÉGAGÉE ET LA LAME COMPLÈTEMENT IMMOBILE ET LE CORDON D'ALIMENTATION DÉBRANCHÉ AVANT D'ENLEVER LA LAME.**
- Faire attention aux bordures tranchantes de la lame à chaque instant.
- Déposer la lame de la tondeuse. Voir les instructions de dépose et d'installation de la lame.
- Fixer la lame sur un étau comme indiqué à la figure 12.
- Porter des lunettes de protection appropriées et faire attention à ne pas se blesser soi-même.
- Aiguiser soigneusement les arêtes coupantes de la lame avec une lime à dents fines ou une pierre à affûter, tout en conservant l'angle original du biseau.
- Vérifier l'équilibre de la lame en plaçant le trou central de la lame au dessus d'un clou ou d'un tournevis à tige ronde, horizontalement fixé sur un étau. Si l'une des lames tourne vers le bas, enlever les couches de substances qui se sont accumulées à cette extrémité. La lame est correctement en équilibre quand aucune extrémité ne penche vers le bas. (Figure 13)
- Remettre la lame de la tondeuse et serrer solidement.



LUBRIFICATION :

Aucune lubrification n'est nécessaire. Ne pas huiler les roues. Elles possèdent des surfaces de roulements à billes en plastique qui ne nécessitent aucune lubrification.

ACCESSOIRES :

Les accessoires recommandés pouvant être utilisés avec l'outil sont disponibles auprès du distributeur local ou centre de réparation autorisé. Pour tout renseignement concernant les accessoires, composer le : **1-800-544-6986**

⚠ AVERTISSEMENT : l'utilisation de tout accessoire non recommandé avec cet outil pourrait s'avérer dangereuse.

GUIDE DE DÉPANNAGE/ACTIONS CORRECTIVES :

PROBLÈME	ACTION CORRECTIVE	PROBLÈME	ACTION CORRECTIVE
- Le moteur ne démarre pas	- Vérifier le fusible ou le disjoncteur pour s'assurer que la prise est alimentée - Essayer la rallonge avec un autre appareil électrique pour s'assurer que le cordon d'alimentation est en bon état. - Appeler le représentant du service à la clientèle 1 800 544-6986	-La tondeuse est difficile à pousser	- La tondeuse est trop proche du sol selon la quantité d'herbe coupée. Éteindre la tondeuse, attendre l'immobilisation de la lame et débrancher la tondeuse puis augmenter la hauteur de coupe. Éteindre la tondeuse, attendre l'immobilisation de la lame, débrancher la tondeuse puis vérifier les roues et les essieux pour s'assurer que l'assemblage tourne aisément.
-Le moteur ralentit continuellement	- La face inférieure de la tondeuse peut être bouchée par les débris. Éteindre la tondeuse, attendre que la lame s'immobilise et débrancher la tondeuse puis nettoyer. - L'herbe peut être trop haute, essayer de pousser à une vitesse plus lente ou augmenter la hauteur de coupe. - Vérifier le tranchant et l'équilibre de la lame et corriger si nécessaire. - En cas de déchiquetage, il y a trop d'herbes. Éteindre la tondeuse, attendre l'immobilisation de la lame, débrancher la tondeuse et fixer la goulotte d'éjection pour disperser l'herbe.	-La tondeuse laisse des touffes de feuilles	- Éteindre la tondeuse, attendre l'immobilisation de la lame et débrancher la tondeuse puis augmenter la hauteur de coupe. - En cas de déchiquetage, il y a trop d'herbes. Éteindre la tondeuse, attendre l'immobilisation de la lame, débrancher la tondeuse et fixer la goulotte d'éjection pour disperser l'herbe. - Éteindre la tondeuse, attendre l'immobilisation de la lame, débrancher la tondeuse et vérifier soigneusement le tranchant de la lame. - L'herbe peut être trop humide pour être taillée. Attendre que l'herbe sèche.
-Fonctionne mais tonte faible	- La lame peut être émoussée. Éteindre la tondeuse, résultats attendre l'immobilisation de la lame et DÉBRANCHER la tondeuse puis vérifier le tranchant avec soin. - La lame peut être endommagée (courbée ou ébréchée). Éteindre la tondeuse, attendre que la lame s'immobilise et débrancher la tondeuse si nécessaire. - L'herbe peut être trop haute ou épaisse pour la hauteur de coupe. Éteindre la tondeuse, attendre que la lame s'immobilise et la débrancher et augmenter la hauteur de coupe.	-Connexion de l'éjecteur/sac	- L'herbe peut être trop humide, essayer encore lorsque l'herbe est sèche. - Il y a trop d'herbe. Éteindre la tondeuse, attendre l'immobilisation de la lame et débrancher la tondeuse puis augmenter la hauteur de coupe.
-Vibration excessive	- La lame peut être desserrée. Éteindre la tondeuse, attendre l'immobilisation de la lame et débrancher la tondeuse attendre l'immobilisation de la lame et vérifier le serrage. - La lame peut être courbée ou ébréchée. Éteindre la tondeuse, attendre l'immobilisation de la lame, débrancher la tondeuse et remplacer si nécessaire. -La lame peut être en déséquilibre. Se reporter à la section d'équilibrage de la lame du manuel d'instruction.		

VOICI QUELQUES CONSEILS PRATIQUES POUR OPTIMISER L'UTILISATION DE VOTRE TONDEUSE BLACK & DECKER... ET OBTENIR UNE PELOUSE DE RÊVE.

1. Tondre la pelouse la première fois au printemps lorsque l'herbe atteint une hauteur de 64 mm à 76 mm (2-1/2 po à 3 po). Tondre la pelouse trop tôt limitera le développement des racines de la pelouse qui se renouvellent à chaque printemps. Couper la nouvelle herbe lorsqu'elle atteint une hauteur d'environ 64 mm (2-1/2 po).
2. Ne pas couper une trop grande proportion de la hauteur d'herbe en un seul passage. Jamais plus de 1/3 de la hauteur de la feuille à chaque passage. Des tontes trop rapprochées dans le temps « choquent » les tiges d'herbe sensibles, ce qui produit un système superficiel de racines et la pelouse éprouve de la difficulté par la suite à atteindre l'eau dans le sol.
3. Des spécialistes en soins de la pelouse déclarent qu'une bonne partie des problèmes de pelouse rencontrés provient de coupes trop rapprochées. La profondeur et la résistance des racines de l'herbe sont presque exactement proportionnelles à sa croissance. L'herbe sur des pelouses bien établies est souvent endommagée lorsque coupée plus courte que 38 mm (1-1/2 po). Une hauteur de 38 mm à 51 mm (1-1/2 po à 2 po) est préférable pour les pelouses de grande superficie.
4. Tondre la pelouse lorsqu'elle est sèche pour éviter la formation de mottes d'herbe mouillée. S'il est possible, la fin de l'après-midi est la période idéale pour tondre la pelouse non seulement parce que l'herbe est sèche, mais également parce que l'aire nouvellement coupée sera protégée des rayons forts du soleil.
5. Maintenir la lame affûtée pour une coupe bien nette. Cette pratique améliore le rendement de la tondeuse et l'apparence de la pelouse. Une lame émoussée casse et écrase les pointes de l'herbe. Ceci nuit à la saine croissance de la pelouse et accroît la susceptibilité aux maladies qui l'attaquent. Si les pointes de l'herbe sont écrasées, elles brunissent et la pelouse a l'air en mauvaise santé. Une lame émoussée peut également arracher les nouvelles pousses.
6. Essayer de tondre la pelouse toujours à la même (constante) hauteur de coupe. Il est parfois nécessaire de varier la hauteur de coupe pour en fonction de la saison. Toutefois, une coupe à hauteur constante produit une belle pelouse plus saine avec, en règle générale, moins de mauvaises herbes. Tondre la pelouse plus fréquemment en période de croissance rapide. Une coupe fréquente permet de cacher la section plus basse, moins attrayante de l'herbe. Si la pelouse devient trop longue (des vacances, par exemple, pourraient interrompre la tonte de la pelouse), couper la pelouse à une ou deux hauteur(s) plus élevée(s) que normalement. Quelques jours plus tard, un deuxième passage à une hauteur normale de coupe redonnera à la pelouse son air d'antan. La modification de la hauteur de coupe est simple avec la touche à effleurage pour le réglage de la hauteur des roues de Black & Decker qui ajuste simultanément les quatre roues de la tondeuse.
8. Au printemps et à l'automne (ou après toute interruption du rythme de coupe), l'herbe sera plus longue et plus épaisse. Si le moteur ralentit à tout moment en cours de tonte, régler les roues à une hauteur de coupe plus élevée. Une charge excessive sur le moteur peut entraîner une coupe inégale, un déchargement plus rapide de la batterie et un déclenchement du disjoncteur qui arrêterait le moteur.
9. Trois bonnes idées pour améliorer l'apparence de la pelouse : varier fréquemment le sens de coupe, couper horizontalement sur les pentes (ceci est également une bonne mesure de sécurité) et ne pas oublier de superposer le champ de coupe à chaque passage.
10. Couper toujours la pelouse de sorte que l'herbe coupée soit redistribuée sur la pelouse tondue. Cette technique donne à la pelouse une apparence fraîche en évitant une accumulation d'herbes coupées brunies et laides.

INFORMATION SUR LES RÉPARATIONS

Tous les centres de réparation Black & Decker sont dotés de personnel qualifié en matière d'outillage électrique; ils sont donc en mesure d'offrir à leur clientèle un service efficace et fiable. Que ce soit pour un avis technique, une réparation ou des pièces de rechange authentiques installées en usine, communiquer avec l'établissement Black & Decker le plus près de chez vous. Pour trouver l'établissement de réparation de votre région, consulter le répertoire des Pages jaunes à la rubrique « Outils électriques » ou composer le numéro suivant : **1-800-544-6986** ou consulter le site **www.blackanddecker.com**

GARANTIE COMPLÈTE DE DEUX ANS POUR UNE UTILISATION DOMESTIQUE

Black & Decker (É.-U.) Inc. garantit ce produit pour une durée de deux ans contre tout défaut de matériau ou de fabrication. Le produit défectueux sera remplacé ou réparé sans frais de l'une des deux façons suivantes :

La première façon consiste en un simple échange chez le détaillant qui l'a vendu (pourvu qu'il s'agisse d'un détaillant participant). Tout retour doit se faire durant la période correspondant à la politique d'échange du détaillant (habituellement, de 30 à 90 jours après l'achat). Une preuve d'achat peut être requise. Vérifier auprès du détaillant pour connaître sa politique concernant les retours hors de la période définie pour les échanges.

La deuxième option est d'apporter ou d'envoyer le produit (transport payé d'avance) à un centre de réparation autorisé ou à un centre de réparation de Black & Decker pour faire réparer ou échanger le produit, à notre discrétion. Une preuve d'achat peut être requise. Les centres Black & Decker et les centres de service autorisés sont répertoriés dans les pages jaunes, sous la rubrique « Outils électriques ».

Cette garantie ne s'applique pas aux accessoires. Cette garantie vous accorde des droits légaux spécifiques et vous pourriez avoir d'autres droits qui varient d'un État ou d'une province à l'autre. Pour toute question, communiquer avec le directeur du centre de réparation Black & Decker le plus près de chez vous. Ce produit n'est pas destiné à un usage commercial.

REMPLACEMENT GRATUIT DES ÉTIQUETTES

D'AVERTISSEMENT : si les étiquettes d'avertissement deviennent illisibles ou sont manquantes, composer le **1-800-544-6986** pour en obtenir le remplacement gratuit.

Garantie du châssis

Le châssis est garanti à vie seulement contre les vices de matière ou de fabrication.

Le produit n'est pas conçu pour une utilisation commerciale.

Importé par
Black & Decker Canada Inc.
100 Central Ave.
Brockville (Ontario) K6V
5W6

Voir la rubrique "Outils
électriques"
des Pages jaunes
pour le service et les ventes.





BLACK & DECKER®



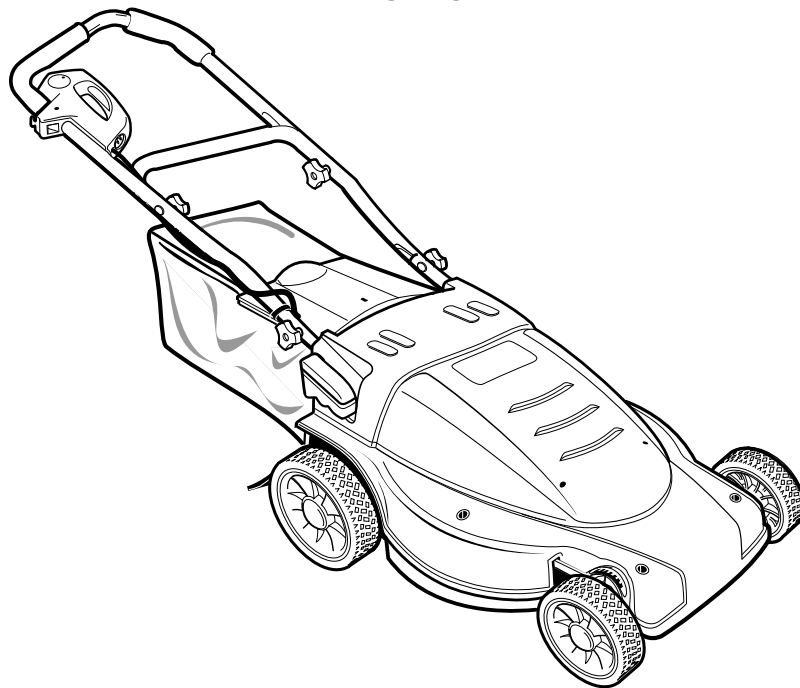
ESPAÑOL

LAWN HOG

PODADORA DESBROZADORA DE 48 CM (19 pulg.)

MANUAL DE INSTRUCCIONES

MM875



INFORMACIÓN CLAVE QUE USTED DEBE CONOCER:

- Plataforma 3 en 1 para toda la vida: desbroce, descarga y embolsado .
- Para operar esta podadora, el mango debe estar bloqueado en posición.
- Para obtener los mejores resultados de corte, mantenga la hoja afilada y balanceada.
- Examine y limpie minuciosamente la podadora después de cada uso (una plataforma con césped apelmazado degradará el rendimiento).
- Asegúrese de que antes de cortar el césped o durante la operación, el área esté libre de personas o mascotas.

CONSERVE ESTE MANUAL PARA FUTURAS CONSULTAS

¡GRACIAS POR ELEGIR BLACK & DECKER!

VAYA A

WWW.BLACKANDDECKER.COM/NEWOWNER

PARA REGISTRAR SU NUEVO PRODUCTO.

**ANTES DE DEVOLVER ESTE PRODUCTO
POR CUALQUIER MOTIVO, LLAME AL**

(55)5326-7100

ANTES DE LLAMAR, TENGA EL NÚMERO DE CATÁLOGO Y EL CÓDIGO DE FECHA PREPARADOS. EN LA MAYORÍA DE LOS CASOS, UN REPRESENTANTE DE BLACK & DECKER PUEDE RESOLVER EL PROBLEMA POR TELÉFONO. SI DESEA REALIZAR UNA SUGERENCIA O COMENTARIO, LLÁMENOS. SU OPINIÓN ES FUNDAMENTAL PARA BLACK & DECKER.

NORMAS DE SEGURIDAD: DEFINICIONES

Es importante que lea y comprenda este manual.

La información que contiene está relacionada con la protección de SU SEGURIDAD y la PREVENCIÓN DE PROBLEMAS. Los símbolos que siguen se utilizan para ayudarlo a reconocer esta información.

⚠ PELIGRO: Indica una situación de peligro inminente que, si no se evita, provocará la muerte o lesiones graves.

⚠ ADVERTENCIA: Indica una situación de peligro potencial que, si no se evita, podría provocar la muerte o lesiones graves.

⚠ PRECAUCIÓN: Indica una situación de peligro potencial que, si no se evita, puede provocar lesiones leves o moderadas.

PRECAUCIÓN: Utilizado sin el símbolo de alerta de seguridad indica una situación de peligro potencial que, si no se evita, puede provocar daños en la propiedad.

⚠ ADVERTENCIA: Instrucciones y advertencias de seguridad importantes

⚠ ADVERTENCIA: Al utilizar aparatos eléctricos para jardín, siempre se deben tomar ciertas precauciones básicas de seguridad para minimizar el riesgo de incendio, descarga eléctrica y lesiones personales.

LEA TODAS LAS INSTRUCCIONES

PARA REDUCIR EL RIESGO DE LESIONES:

- Antes de utilizar la herramienta, asegúrese de que todas las personas que la utilicen hayan leído y comprendido todas las instrucciones de seguridad y demás información incluida en este manual.
- Guarde estas instrucciones y revíselas con frecuencia antes de usar y al enseñarles a los demás.

⚠ PRÁCTICAS DE SEGURIDAD IMPORTANTES SOBRE PELIGROS PARA LAS PODADORAS MANUALES

Esta podadora puede amputar manos y pies y arrojar objetos. La inobservancia de las siguientes instrucciones de seguridad puede causar lesiones graves o la muerte.

OPERACIÓN GENERAL

1. Lea, comprenda y siga todas las instrucciones en la podadora y en el manual de instrucciones antes de comenzar.
2. No coloque las manos ni los pies cerca o debajo de la podadora. Manténgase alejado de la apertura de descarga en todo momento.
3. Sólo deje que adultos responsables, familiarizados con las instrucciones, operen esta podadora.
4. Limpie el área donde se usará la podadora de objetos como piedras, palos, alambres, juguetes, huesos, etc., que pueden ser arrojados por la hoja. Los objetos que la hoja golpee pueden causar lesiones graves a personas. Cuando el motor esté en funcionamiento, permanezca detrás del mango.
5. Antes de operar la podadora, asegúrese de que el área circundante esté libre de espectadores. Todos los espectadores y las mascotas se deben mantener a una distancia segura. Detenga la podadora si alguna persona ingresa en el área circundante.
6. No opere la podadora descalzo o con sandalias. Use siempre calzado cerrado.
7. No tire de la podadora hacia atrás a menos que sea absolutamente necesario. Siempre mire hacia abajo y hacia atrás antes y durante movimientos en retroceso.
8. Nunca apunte el material de descarga hacia una persona. Evite descargar el material contra una pared o un obstáculo. El material puede rebotar en dirección al operador. Cuando atraviese superficies con grava o cuando suelte el mango, libere la palanca del interruptor para apagar la podadora y detener la hoja.
9. No opere la podadora sin la cavidad para el césped, el protector de descarga, el protector trasero o todos los otros dispositivos de protección en su lugar y en funcionamiento. Controle periódicamente todos los protectores y dispositivos de seguridad para asegurarse de que estén en buenas condiciones, funcionen correctamente y cumplan con la función para la que fueron diseñados. Reemplace un protector u otro dispositivo de seguridad dañado antes de volver a usarlo.
10. Nunca deje de supervisar una podadora en funcionamiento.
11. Antes de quitar la cavidad para el césped, desatascar el protector de descarga o limpiar, ajustar, reparar, inspeccionar o dejar la podadora, siempre libere la palanca del interruptor para parar el motor, espere que la hoja se detenga por completo y desenchufe la podadora.
12. Sólo opere la podadora de día o con buena luz artificial de modo que los objetos en el área donde se usará la podadora y en el trayecto de la hoja sean claramente visibles.
13. No opere la podadora bajo el efecto de alcohol o drogas o cuando esté cansado o enfermo. Manténgase alerta, ponga atención en lo que está haciendo y use el sentido común.
14. Evite los ambientes peligrosos. Nunca opere la podadora sobre pasto húmedo o mojado o con lluvia. Asegure siempre su estabilidad; no corra, camine.
15. Si el sistema de impulsión está equipado, antes de arrancar el motor, destrábelo.
16. Si la cubierta de la podadora comienza a vibrar de modo anormal, libere la palanca del interruptor, espere que la hoja se detenga, desenchufe la podadora y verifique la causa de inmediato. Por lo general, la vibración es la advertencia de un problema.
17. Cuando opere la podadora, utilice siempre protección respiratoria y visual adecuada.
18. El uso de accesorios o dispositivos no recomendados para utilizar con esta podadora puede resultar peligroso. Sólo utilice accesorios aprobados por Black & Decker.
19. Nunca se estire demasiado cuando opere esta podadora. Conserve el equilibrio y párese adecuadamente en todo momento mientras opera la podadora.

FUNCIONAMIENTO EN PENDIENTE

Las pendientes son el factor principal relacionado con los resbalones y las caídas, que pueden causar lesiones graves. La operación en las pendientes requiere precaución extra. Si en una pendiente se siente inseguro, en dicha zona no corte el césped.

1. Corte el césped a través de la cara de las pendientes; nunca hacia arriba y hacia abajo. Tenga extremo cuidado cuando cambia de dirección en las pendientes.
2. Tenga cuidado con los pozos, los baches, las protuberancias u otros objetos escondidos. El terreno desnivelado puede causar un resbalón o una caída. El césped alto puede esconder obstáculos.
3. No corte el césped si el está mojado o en pendientes pronunciadas. Una mala pisada puede causar un resbalón o una caída.
4. No corte el césped cerca de barrancas, zanjas o terraplenes. Puede perder el equilibrio.

NIÑOS

Si el operador no está alerta ante la presencia de niños, pueden ocurrir accidentes trágicos. Los niños con frecuencia se sienten atraídos por las podadoras y su funcionamiento. Nunca dé por sentado que los niños permanecerán donde los vio por última vez.

1. Mantenga a los niños fuera del área donde se corta el césped y al cuidado de un adulto responsable que no sea el operador.
2. Esté alerta y apague la podadora si un niño ingresa en el área de corte.
3. Nunca deje que un niño opere la podadora.
4. Tenga extremo cuidado cuando se aproxima a esquinas, arbustos, árboles u otros objetos que puedan bloquear la presencia de un niño.

MANTENIMIENTO GENERAL


1. Nunca opere la podadora en un área cerrada.
2. Mantenga todas las tuercas y los pernos ajustados para asegurar que el equipo esté en condiciones seguras de funcionamiento.
3. Nunca altere la podadora con dispositivos de seguridad. Verifique que funcione correctamente con frecuencia.
4. Mantenga la podadora libre de césped, hojas u otros desechos acumulados. Antes de guardar la podadora, deje que se enfríe.
5. Si golpea un objeto extraño, libere la palanca del interruptor para apagar la podadora, espere que la hoja se detenga y desenchufe y examine la podadora. Antes de arrancar y operar la podadora, repare cualquier daño.
6. Nunca realice un ajuste ni repare la podadora con el motor en funcionamiento o la podadora enchufada.
7. Antes de ajustar, limpiar, reparar, examinar, transportar, almacenar o dejar una podadora eléctrica, desenchúfela siempre.
8. Controle los componentes de la cavidad para el pasto y el protector de descarga con frecuencia y, cuando sea necesario reemplazar una pieza, use solamente los repuestos recomendados por Black & Decker.
9. Las hojas de la podadora son filosas. Envuelva las hojas, use guantes y tenga mucho cuidado cuando realiza un mantenimiento.
10. Conserve o reemplace las etiquetas de las instrucciones y las etiquetas de seguridad, según sea necesario.

A ADVERTENCIA: ADVERTENCIAS E INSTRUCCIONES DE SEGURIDAD GENERALES PARA TODAS LAS HERRAMIENTAS

- **ESTA HERRAMIENTA PUEDE SER PELIGROSA.** Siga todas advertencias e instrucciones de seguridad contenidas en este manual. El operador es responsable de seguir las advertencias y las instrucciones en el manual y en la unidad. Limite el uso de esta podadora a personas que hayan leído y comprendido y que sigan las advertencias e instrucciones en este manual y en la unidad.
- **GUARDE LA PODADORA BAJO TECHO.** Las podadoras se deben guardar bajo techo, en un área seca y segura y fuera del alcance de los niños.
- **NO FUERCE LA PODADORA.** Trabaja mejor y con menos probabilidad de riesgo de daños si se opera a la velocidad para la que fue diseñado.
- **UTILICE EL APARATO ADECUADO.** Nunca utilice la podadora para otra tarea que no sea aquella para la que fue creada.
- **USE LA VESTIMENTA ADECUADA.** No use ropas holgadas o joyas. Pueden atascarse en las piezas en movimiento. Se recomienda utilizar guantes de goma, pantalones largos y calzado antideslizante al trabajar al aire libre.
- **USE ANTEOJOS DE SEGURIDAD Y CUALQUIER OTRO EQUIPO DE SEGURIDAD.** Use anteojos protectores o lentes de seguridad con protección lateral que cumplan con las normas de seguridad aplicables y, de ser necesario, un protector facial. Utilice también máscaras faciales o para polvo si la operación produce polvo. Esto se aplica a todas las personas que se encuentren en el área de trabajo. Utilice también un casco, protección auditiva, guantes, calzado de seguridad y sistemas de recolección de polvo cuando así se especifique o requiera. Puede conseguir anteojos de seguridad o similares a un costo adicional en su distribuidor local o en el Centro de mantenimiento de Black & Decker.
- **NO TIRE DEL CABLE.** Nunca transporte la podadora por el cable ni lo jale para desconectarlo del tomacorriente. Mantenga el cable alejado del calor, el aceite y los bordes afilados.

- **MANTENGA LA PODADORA CON CUIDADO.** Mantenga las hojas afiladas y limpias para un mejor rendimiento y para reducir el riesgo de lesiones personales. Siga las instrucciones para lubricar y cambiar los accesorios. Inspeccione el cable de la podadora periódicamente y, en caso de estar dañado, llévelo a una instalación de mantenimiento autorizada para que lo reparen. Inspeccione los cables prolongadores periódicamente y reemplácelos si están dañados. Mantenga los mangos secos, limpios y libres de aceite y grasas.
- **EVITE EL ENCENDIDO POR ACCIDENTE.** No transporte la podadora enchufada con el dedo en el interruptor. Asegúrese de que el interruptor esté apagado cuando lo enchufe.
- **ANTES DE USAR,** verifique siempre que la hoja, los sujetadores de la hoja y el conjunto del cortador no estén desgastados o dañados. Reemplace las hojas y los juegos de sujetadores desgastados o dañados para preservar el equilibrio. Examine el cable de la podadora. Asegúrese de que esté en buenas condiciones. El aislamiento del cable debe estar intacto, sin roturas ni deterioro.
- **PARA DISMINUIR EL RIESGO DE DESCARGAS ELÉCTRICAS,** esta podadora posee enchufes polarizados (una pata es más ancha que la otra) y requerirá el uso de un cable prolongador polarizado. El enchufe de la podadora se ajustará en un cable prolongador polarizado de una sola manera. Si el cable prolongador no se ajusta totalmente en el tomacorriente, invierta el enchufe. Si aún así no se ajusta, obtenga un cable prolongador polarizado adecuado. Un cable prolongador polarizado requerirá el uso de un tomacorriente de pared polarizado. El enchufe se ajustará en un tomacorriente de pared polarizado de una sola manera. Si el cable prolongador no se ajusta totalmente en el tomacorriente de pared, invierta el enchufe. Si aún así no se ajusta bien, recurra a un electricista calificado para que instale un tomacorriente de pared adecuado. No cambie el enchufe de la podadora, el tomacorriente del cable prolongador ni el enchufe del cable prolongador de ninguna manera.
- **CABLES PROLONGADORES.** Asegúrese de que el cable prolongador esté en buenas condiciones. El aislamiento del cable debe estar intacto, sin roturas ni deterioro. Los conectores del enchufe no deben estar dañados. Cuando utilice un cable prolongador, asegúrese de que tenga la capacidad para conducir la corriente que su producto exige. Un cable de menor medida provocará una disminución en el voltaje de la línea y causará pérdida de energía y sobrecalentamiento. La tabla muestra la medida correcta que debe utilizar según la longitud del cable y la capacidad nominal en amperios indicada en la placa. En caso de duda, utilice el calibre inmediatamente superior. Cuanto menor es el número de calibre, más grueso es el cable.

Volts	Calibre mínimo para cables de extensión				
	Longitud total del cable en pies				
120V	0-25	26-50	51-100	101-150	
	(0-7,6m)	(7,6-15,2m)	(15,2-30,4m)	(30,4-45,7m)	
240V	0-50	51-100	101-200	201-300	
	(0-15,2m)	(15,2-30,4m)	(30,4-60,9m)	(60,9-91,4m)	
Amperaje	Más de	No más de	American Wire Gage		
0	- 6	18	16	16	14
6	- 10	18	16	14	12
10	- 12	16	16	14	12
12	- 16	14	12	No se recomienda	

-  indica que la podadora tiene "AISLAMIENTO DOBLE".
- **ADVERTENCIA SOBRE LOS CABLES PROLONGADORES PARA USO EN EXTERIORES:** A fin de reducir el riesgo de descarga eléctrica, solamente use la podadora con un cable prolongador para uso en exteriores como SW-A, SOW-A, STW-A, STOW-A, SJW-A, SJOW-A, SJTW-A o SJTOW-A.
- La protección del **INTERRUPTOR DE CORTE POR FALLA A TIERRA (GFCI)** debe aplicarse a los circuitos o los tomacorrientes que se utilizarán para la podadora. Hay tomacorrientes con protección GFCI incorporada que pueden utilizarse para tomar esta medida de seguridad.
- **VERIFIQUE QUE NO HAYA PIEZAS DAÑADAS.** Antes de volver a utilizar la podadora, se debe controlar cualquier protección u otra pieza que esté averiada para determinar si funcionará correctamente y realizará la función para la que fue diseñado. Verifique la alineación de las piezas móviles, la rotura de piezas, el montaje y cualquier otra condición que pueda afectar su operación. Cualquier protección u otra pieza que esté dañada debe ser reparada correctamente o reemplazada por un centro de mantenimiento autorizado, a menos que este manual indique otra cosa.

- **MANTENIMIENTO Y REPARACIONES** Las reparaciones, el mantenimiento y los ajustes que no estén especificados en este manual deben ser realizados por los centros de mantenimiento autorizados de Black & Decker o por otras organizaciones de mantenimiento calificadas, y siempre deben usarse piezas de repuesto idénticas.

⚠ **PELIGRO: ADVERTENCIAS ADICIONALES PARA PODADORAS**

- Cuando opere la podadora, agarre **SIEMPRE** con firmeza el mango con ambas manos.
- **NUNCA** escuche radio o use auriculares para escuchar música cuando opere la podadora.
- **RECOJA** el cabello largo.
- **NUNCA** intente ajustar la altura de una rueda con el motor en funcionamiento o la podadora enchufada.
- **SI LA PODADORA SE ATASCA**, antes de desatorar el conducto de descarga y quitar lo que obstruye el paso debajo de la plataforma, libere la palanca del interruptor para apagar la podadora, espere que la hoja se detenga y desenchufe el cable.
- **MANTENGA LAS MANOS** y los pies lejos del área de corte.
- **MANTENGA LAS HOJAS** afiladas. Use siempre guantes protectores cuando maneje la hoja de la podadora.
- **SI USA** una cavidad para el césped, examínela con frecuencia para corroborar su desgaste o deterioro. Si está muy desgastado, reemplácelo por una bolsa nueva para su seguridad.
- **TENGA MUCHO CUIDADO** cuando maniobre la podadora en reversa o la jale hacia su persona.

⚠ **ADVERTENCIA:** Parte del polvo generado por este producto contiene sustancias químicas reconocidas por el Estado de California como causantes de cáncer, defectos de nacimiento u otros problemas reproductivos. Algunos ejemplos de estos productos químicos son:

- compuestos en fertilizantes
- compuestos en insecticidas, herbicidas y pesticidas
- arsénico y cromo de madera con tratamiento químico

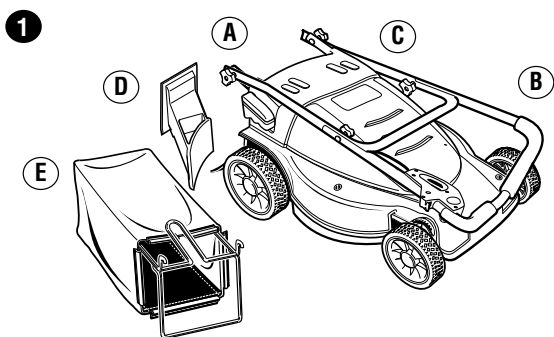
Para reducir su exposición a estas sustancias químicas, utilice el equipo de seguridad aprobado, como máscaras para polvo especialmente diseñadas para filtrar partículas microscópicas.

⚠ **ADVERTENCIA:** Este producto contiene sustancias químicas, incluido el plomo, reconocidas por el Estado de California como causantes de cáncer, defectos de nacimiento u otros problemas reproductivos. Lávese las manos después de utilizarlo.

CONSERVE ESTAS INSTRUCCIONES

INSTRUCCIONES PARA EL ENSAMBLAJE ANTES DE ENSAMBLAR SU PODADORA, VERIFIQUE QUE HAYA RECIBIDO LO SIGUIENTE EN LA CAJA. OBSERVE LA FIGURA 1.

- A. Podadora
- B. Mango superior
- C. Mango inferior
- D. Inserto de desbroce
- E. Bolsa para pasto y estructura

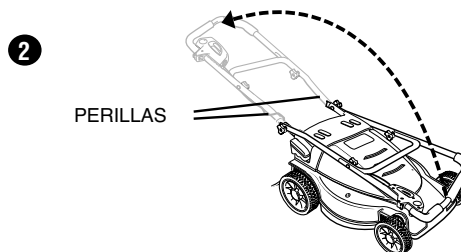


DESEMPAQUE LA PODADORA

1. La caja de su podadora debe contener la podadora, 2 mangos, instalados, el inserto de desbroce y la bolsa para pasto junto con su estructura.
2. Su podadora se ha ensamblado completamente en la fábrica con excepción de la bolsa para pasto. Saque la bolsa para pasto, la estructura, la podadora y el relleno de la caja.

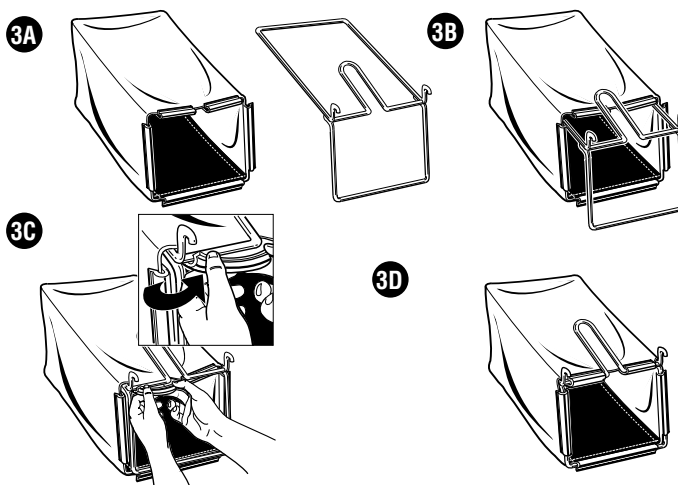
DESPLIEGUE Y AJUSTE DEL MANGO (FIGURA 2)

1. **DESCONECTE LA HERRAMIENTA, Y ESPERE A QUE LA CUCHILLA SE DETENGA COMPLETAMENTE.**
2. Levante la sección del mango y colóquela en la posición debida apretando las dos perillas. Tenga cuidado de no aprisionar o dañar el cable de alimentación al ajustar los mangos.
3. Hay tres orificios en el mango superior, que permiten ajustar la altura del mango en tres posiciones. Seleccione el orificio que mejor se adapte a su estatura. Instale los tornillos en el interior de los mangos de manera que las perillas queden por la parte externa (para evitar que interfieran con la puerta trasera y la bolsa para pasto). Apriete las perillas con firmeza.



ENSAMBLAJE DEL RECOLECTOR DE CÉSPED (FIGURAS 3A, 3B, 3C Y 3D)

1. Antes de empezar a ensamblar la bolsa para pasto con la estructura, verifique que ambas sean similares a la Figura 3A.
2. Deslice la bolsa para pasto en la estructura como se muestra en la Figura 3B.
3. Ensamble las pinzas de la parte superior a la estructura como se muestra en la figura 3C, a continuación ensamble las dos pinzas laterales y por último la pinza inferior.
4. En la Figura 3D, se muestra el recolector de césped totalmente armado.



DESBRUCE

La podadora está diseñada para escarificar o descargar el césped según si el inserto escarificador está instalado y si la puerta del escarificador está cerrada (escarificar) o si la puerta del escarificador está abierta y el conducto de descarga está en su lugar (descarga). Si está escarificando, no se requieren más pasos de montaje. CONTÍNE CON LAS INSTRUCCIONES DE OPERACIÓN.

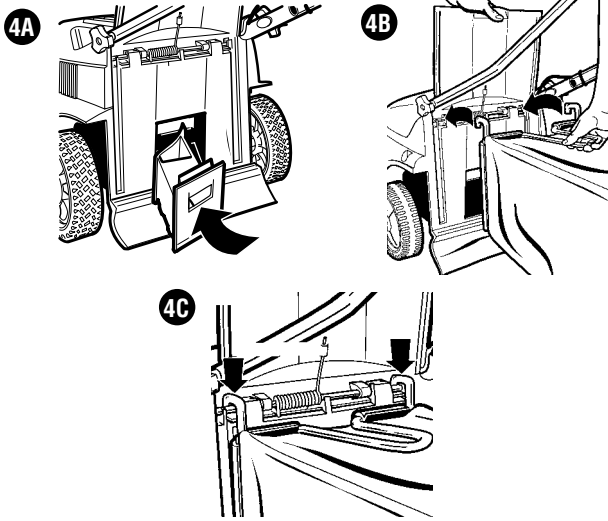
INSTALACION DE LA BOLSA PARA PASTO (FIGURAS 4A, 4B, 4C)

(Si desea embolsar los recortes en vez de desbrozarlos, efectúe estos pasos)

1. **DESCONECTE LA HERRAMIENTA Y ESPERE A QUE LA CUCHILLA SE DETENGA POR COMPLETO.**
2. Levante la puerta de descarga y sujétela arriba como se muestra en la Figura 4A.
3. Coloque su mano en el bolsillo del mango, como se muestra en la Figura 4A, levante y tire del inserto de desbroce por completo.
4. Tome la bolsa para pasto por el mango y baje la bolsa por entre los mangos de la podadora como se muestra en la Figura 4B.

Coloque los ganchos para colgar de la bolsa para pasto en la podadora como se ilustra en la Figura 4C. La puerta trasera para descarga funciona con un resorte, cuando la suelte, la puerta descansará contra el montaje de la bolsa para pasto.

⚠ PELIGRO: Nunca opere la podadora a menos que los ganchos para colgar de la bolsa para pasto hayan asentado apropiadamente en la podadora y la puerta de descarga trasera se apoye firmemente sobre la parte superior de la bolsa para pasto.



INSTALACION DEL INSERTO PARA DESBROCE (DESBROCE)

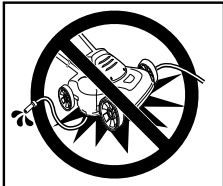
1. **DESCONECTE LA HERRAMIENTA Y ESPERE A QUE LA CUCHILLA SE DETENGA POR COMPLETO.**
2. Levante la puerta de descarga trasera y sujétela así como se muestra en la figura 4A.
3. Deslice el inserto de desbroce en la abertura de descarga hasta que haga contacto firme con la cubierta.
4. Suelte la puerta trasera y verifique que cierre correctamente.

INSTRUCCIONES DE OPERACIÓN

NOTA: Una podadora es un aparato eléctrico grande y no debe ser operado en forma simultánea con otros aparatos eléctricos grandes en el mismo circuito de la casa.

⚠ ADVERTENCIA: Asegúrese de que las demás personas y mascotas estén a no menos de 30,5 m (100 pies) de distancia.

REVISE LA ZONA DE CORTE

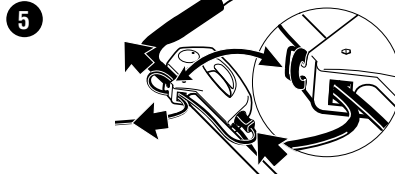


Quite todas las piedras, palos, alambres, juguetes, huesos y demás desechos u objetos que puedan ser arrojados por las hojas giratorias.

CONEXIÓN DEL CABLE PROLONGADOR A LA PODADORA (FIGURA 5)

NO conecte el cable prolongador a la fuente de alimentación hasta que no haya leído este manual y esté listo para comenzar a cortar el césped.

1. El cable prolongador debe ser polarizado y enchufa de una sola manera; oriente la ranura ancha con la hoja ancha en la carcasa del interruptor.
2. Forme un bucle con el cable prolongador y empuje el bucle hacia arriba, a través del orificio en la carcasa del interruptor.
3. Tire del cable prolongador en el extremo del bucle que está enchufado en la carcasa del interruptor y quite todo el remanente de esta sección del cable prolongador.
4. Coloque el bucle sobre la lengüeta de alivio de tensión en la carcasa del interruptor y tire del cable prolongador de forma que el bucle descienda alrededor de la lengüeta de alivio de tensión, como se muestra en el detalle. Controle no haber aflojado el cable prolongador.



USO DEL INTERRUPTOR (FIGURA 6)

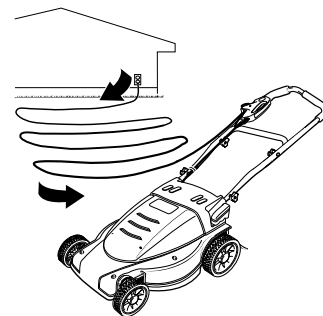
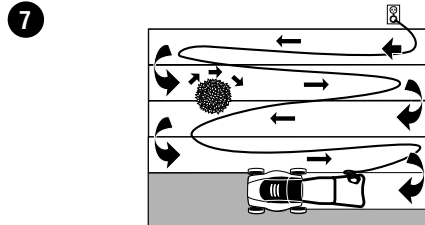
Su podadora está equipada con un interruptor especial. Para operar el interruptor, inserte un dedo en la apertura (Figura 6) y empuje la palanca hacia afuera de modo que pueda agarrarla con la otra mano. Para encender la unidad, tire de la palanca hacia atrás y sosténgala contra el mango de la podadora para mantenerla en funcionamiento. Para apagar la podadora, sólo libere la palanca. La palanca a resorte de ACCIÓN RÁPIDA apagará la podadora de inmediato.

⚠ ADVERTENCIA: NUNCA INTENTE ANULAR LA OPERACIÓN DE ESTE INTERRUPTOR.



TENDIDO DEL CABLE PROLONGADOR AL TOMACORRIENTE (FIGURA 7)

1. Coloque la mayor parte del cable prolongador cerca del tomacorriente eléctrico, fuera del paso de la podadora. Conecte el cable prolongador a la podadora.
2. Comience en la dirección donde el lado del cable prolongador de la podadora esté más cerca del tomacorriente. Comience a cortar el césped en el área más cercana al tomacorriente y con un movimiento hacia adelante y hacia atrás. Observe que el cable esté fuera del área de corte y del camino de la podadora. (FIGURA 7)
3. Evite cortar el césped en círculos, ya que será más difícil manejar el cable.



ALTURA DE CORTE APROXIMADA RECOMENDADA

La altura de corte debe ser más alta en condiciones climáticas calurosas o en la sombra y más baja la última vez que corte el césped antes del invierno.

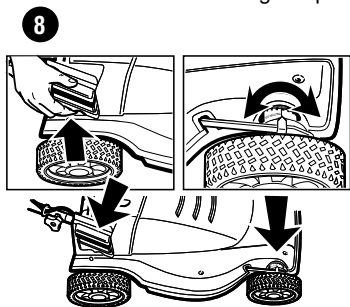
PASTOS DE TEMPORADA FRIA		
TIPO	SOMBRA	SOL
PASTO INCLINADO RASANTE	33.7 mm	16.7 mm
PASTO INCLINADO VELVER	6.3 mm	12.7 mm
PASTO AZULADO ANUAL	12.5 mm	25.4 mm
PASTO AZULADO DEL CANADA	76.2 mm	101.6 mm
PASTO AZULADO DE KENTUCKY	63.5 mm	76.2 mm
PASTO AZULADO ASPERO	25.4 mm	38.1 mm
BROMO SUAVE	76.2 mm	101.6 mm
RESUE FINO	38.1 mm	63.5 mm
FESCUE ALTO	63.5 mm	101.6 mm
BALLICO ANUA	50.8 mm	63.5 mm
PASTOS DE TEMPORADA CALIENTE		
TIPO	SOMBRA	SOL
PASTO BAHIA	50.8 mm	76.2 mm
PASTO BERMUDA	12.7 mm	25.4 mm
PASTO BUFFALO	38.1 mm	63.5 mm
PASTO ALFOMBRA	25.4 mm	50.8 mm
PASTO CENTIPEDO	25.4 mm	50.8 mm
PASTO SAN AGUSTIN	50.8 mm	76.2 mm
PASTO ZOYSIA	12.7 mm	25.4 mm

NOTA: La amplitud de la altura de corte de su podadora es 25,4 mm - 88,9 mm (1 pulg. - 3-1/2 pulg.).

AJUSTE DE ALTURA DE LAS RUEDAS (FIGURA 8)

1. ANTES DE REALIZAR AJUSTES, APAGUE LA UNIDAD, ESPERE QUE LA HOJA SE DETENGA Y DESENCHUFÉ LA PODADORA.
2. Su podadora cuenta con el sistema de ajuste de altura de ruedas de una palanca de Black & Decker. Este sistema ajusta la altura de las cuatro ruedas al mismo tiempo.
3. Para subir o bajar la altura de corte, observe la Figura 8. Apoye la palma de la mano en el apoyo, y con los dedos, oprima hacia arriba tomando la zona de agarre para los dedos, y sujete.
4. Mientras mantiene presionado el agarre digital, puede elevar o reducir la altura del corte. El escarificador tiene ocho posiciones de ajuste de altura de la hoja. Consulte la escala y el indicador (Figura 8) en la parte delantera de la podadora. El indicador señalará el ajuste de la altura para el corte de césped. Este valor puede servir como referencia para la próxima vez que desee cortar el césped a la misma altura. Cuando ya determinó la altura de corte de la podadora, libere el agarre dactilar para bloquear el ajuste de la altura.

Nota: Para asegurar que la cubierta este fija en un de las ocho posiciones de altura, presione sobre el apoyo para la para después de soltar la zona de agarre para los dedos.



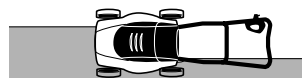
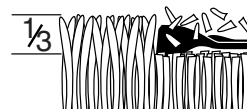
POSICIONES DE ALTURA DE CORTE

Posición	Corte
1 (BAJA)	31,7 mm (1-1 1/4 pulg.)
2	38,1 mm (1-1/2 pulg.)
3	44,4 mm (1-3/4 pulg.)
4	50,8 mm (2 pulg.)
5	63,5 mm (2-1/2 pulg.)
6	76,2 mm (3 pulg.)
7	82,5 mm (3-1/4 pulg.)
8 (ALTA)	88,9 mm (3-1/2 pulg.)

CONSEJOS PARA DESBROZAR

- En la configuración de desbroce, su podadora nueva está diseñada para volver a cortar los recortes de césped en pedazos más cortos. Estos recortes de césped, que se dispersan a medida que corta el césped, se biodegradan rápidamente y proveen nutrientes al césped.
- Cuando corte el césped en suelos escabrosos o con malezas altas, configure la podadora en la mayor altura de corte.
 - No corte el césped si está mojado. Con la acción de desbroce, el pasto mojado tiende a formar terrones. El mejor momento para cortar el césped es la tarde.
 - Para obtener los mejores resultados, ajuste la altura de corte de la podadora de modo que corte el tercio superior de las hojas de césped.

- Si el césped está muy crecido, es posible que sea necesario que aumente la altura de corte para reducir el efecto de empuje y evitar sobrecargar el motor.
- Para un desbroce muy espeso, haga cortes más angostos y corte el césped más despacio.
- Cambie el patrón de corte de una semana a otra. Corte el césped de norte a sur una semana y de este a oeste la siguiente. Esto evitará el mateado y veteado del césped.



PRECAUCIÓN: Para desatorar la cámara de la hoja, no deje caer o sacuda la podadora en el suelo. Esto puede dañar la podadora.

DESCARGA (DISPONIBLE COMO OPCION CON COSTO EXTRA)

La podadora, con la rampa de descarga opcional, se puede usar para dispersar los recortes de pasto en el césped.

1. La descarga puede ser necesaria si el pasto llena la bolsa opcional demasiado rápido.
2. Los recortes pueden dispersarse, en caso necesario, con la ayuda de un soplador de patio.
3. En condiciones de pasto pesado, se puede requerir de una pasada más angosta.

EMBOLSADO

Se recomienda embolsar los recortes de pasto en el primer podado de primavera y en el último podado de la temporada para desalentar las enfermedades.

1. Es preferible embolsar los recortes algunas veces para disminuir el desplazamiento de estos recortes a piscinas, tinas y al interior de la casa.
2. Los recortes se pueden añadir a su depósito de composta y utilizarse posteriormente como fertilizante natural.

LIMPIEZA Y ALMACENAMIENTO

PELIGRO: Asegúrese de que la podadora esté desenchufada y de que la hoja se haya detenido.

Antes de guardar la podadora, quite y limpie los desechos de la parte externa de la podadora y del interior del protector. Guarde bajo cubierta. Vea la sección de MANTENIMIENTO.

La limpieza de la parte inferior de la podadora se realiza con mayor facilidad inmediatamente después de cortar el césped. **(ASEGÚRESE DE QUE LA PODADORA ESTÉ DESENCHUFADA Y DE QUE LA HOJA SE HAYA DETENIDO).** Para limpiar los recortes de césped apelmazados puede usar un trapo, papel de diario arrugado o toallas de papel. Tenga cuidado con los bordes filosos de la hoja.

Una plataforma para cortar el césped limpia mejora la eficiencia de la hoja y mantiene un rendimiento elevado. Cuando realice la limpieza, NO sumerja la podadora en agua ni la rocíe con una manguera o lavadora a presión. Para limpiar la podadora, sólo utilice jabón suave y un paño húmedo. Nunca permita que penetre líquido dentro de la podadora ni sumerja ninguna de las piezas en un líquido.

NOTA: No guarde la podadora sobre o cerca de fertilizantes o productos químicos. Esa forma de almacenamiento puede causar la rápida corrosión de las piezas de metal.

CÓMO EVITAR LA CORROSIÓN

Los fertilizantes y otros productos químicos de jardinería contienen agentes que aceleran considerablemente la corrosión de los metales. Si usa la podadora en áreas donde se han usado fertilizantes o químicos, limpie la podadora inmediatamente después de usarla. Limpie todas las piezas expuestas con un paño húmedo. Las piezas de metal se pueden lubricar con un aceite liviano a base de petróleo. No lubrique las ruedas.

MANTENIMIENTO

Después de cada sesión de corte, desenchufe la podadora y asegúrese de que la hoja se haya detenido. Controle todas las tuercas, los pernos y los tornillos para corroborar que estén bien ajustados. Asegúrese de controlar el sistema de sujeción de la hoja.

IMPORTANTE: para asegurar la SEGURIDAD y la CONFIABILIDAD del producto, las reparaciones, el mantenimiento y los ajustes se deben realizar en los centros de mantenimiento autorizados o con otro personal de mantenimiento calificado. Utilice sólo piezas de repuesto idénticas.

Examine y limpie minuciosamente la podadora al comienzo de cada sesión de corte para prolongar la vida útil y mejorar el rendimiento. De vez en cuando, apague la podadora y espere que la hoja se detenga. Luego, desenchufe el cable eléctrico y vuelque la podadora de lado. Con un objeto como un palo un trapo, limpie cualquier acumulación de césped en el área de la hoja. También limpie el césped o los desechos que puedan estar acumulados alrededor del área de la puerta de desbroce/descarga. Tenga cuidado con los bordes filosos de la hoja.

EXTRACCIÓN E INSTALACIÓN DE LA HOJA (FIGURAS 9, 10, 11)

1. **LIBERE LA PALANCA DEL INTERRUPTOR PARA APAGAR LA PODADORA, ESPERE QUE LA HOJA SE DETENGA Y DESENCHUFE LA PODADORA. LUEGO VOLTEE LA PODADORA PARA ACCEDER A LA HOJA.**
2. Use un pedazo de madera de 2x4 (aproximadamente de 600 mm [2 pies] de largo) para evitar que la hoja gire mientras quita la tuerca de la brida.
3. Use guantes y protección para los ojos adecuada. Tenga cuidado con los bordes filosos de la hoja. Coloque la madera y quite la brida, como se muestra en la Figura 9.
4. Quite el espaciador cuadrado de metal de la hoja, el aislante cuadrado de plástico de la hoja y la hoja (Figura 10). Examine el aislante de la hoja en busca de daños y, de ser necesario, reemplácelo.
5. Cuando reemplace una hoja nueva o afilada en el hombro del ventilador, asegúrese de que el "LADO DEL CÉSPED" en la hoja esté de frente al suelo cuando coloca la podadora en su posición normal. Después de instalar la hoja, coloque el aislante de la hoja en la hoja de forma que los rebordes elevados en un costado se enganchen con los bordes de la hoja. Luego, instale el espaciador de la hoja de modo que se apoye dentro de los rebordes elevados en el otro costado del aislante de la hoja. Asegúrese de alinear los planos en el orificio del espaciador de la hoja con los planos del eje, girando la hoja y el aislante de la hoja a la vez, según sea necesario. Coloque un pedazo de madera para evitar que la hoja gire (Figura 11). Instale la tuerca de la brida con la brida contra el espaciador de la hoja y ajuste bien.

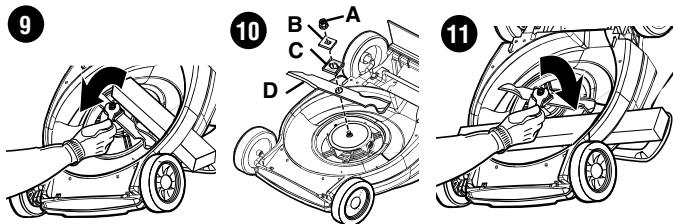
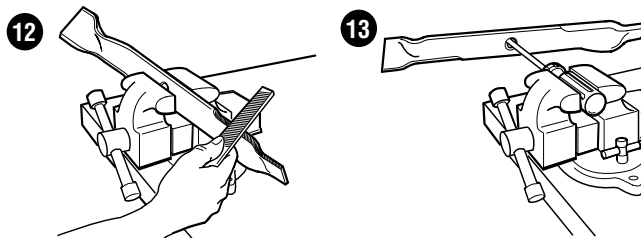


Fig. 10 A. tuerca, B. espaciador, C. aislante, D. hoja

AFILADO Y NIVELADO DE LA HOJA: (FIGURAS 12 Y 13)

1. **ANTES DE QUITAR LA HOJA, ASEGÚRESE DE LIBERAR LA PALANCA DEL INTERRUPTOR Y DE QUE LA HOJA SE HAYA DETENIDO Y DESENCHUFE EL CABLE.**
2. Tenga cuidado con los bordes filosos de la hoja en todo momento.
3. Saque la hoja de la podadora. Para extraer e instalar la hoja, consulte las instrucciones.
4. Asegure la hoja en una prensa, como se muestra en la Figura 12.
5. Use protección para los ojos adecuada y tenga cuidado de no cortarse.
6. Con cuidado, lime los bordes de corte de la hoja con una piedra de afilar o una lima de dientes finos, manteniendo el ángulo de corte original.
7. Para controlar el balance de la hoja, coloque el orificio central de la hoja en un clavo o un destornillador de vástago redondo, sujeto en forma horizontal en una prensa. Si cualquiera de los extremos de la hoja gira hacia abajo, lime el material remanente de ese extremo. La hoja está correctamente equilibrada cuando ninguno de los extremos cae. (Figura 13)
8. Vuelva a colocar la hoja en la podadora y ajuste con firmeza.



LUBRICACIÓN:

No se requiere lubricación. No aceite las ruedas. Las ruedas tienen superficies de rodamientos plásticas que no requieren lubricación.

ACCESORIOS:

Los accesorios que se recomiendan para la herramienta están disponibles en su distribuidor local o en el centro de mantenimiento autorizado. Si necesita asistencia en relación con los accesorios, por favor llame al **(55)5326-7100**

⚠️ ADVERTENCIA: El uso de accesorios no recomendados para utilizar con esta herramienta puede resultar peligroso.

SOLUCIÓN DE PROBLEMAS/GUÍA DE MEDIDAS CORRECTIVAS:

PROBLEMA	MEDIDA CORRECTIVA
- El motor no arranca	- Controle el fusible o el interruptor automático para asegurar que llegue corriente al tomacorriente - Controle el cable prolongador con otro dispositivo eléctrico para asegurar que funcione. - Llame al representante de atención al cliente al (55) 5326 7100
- El motor sigue funcionando despacio	- La parte inferior de la podadora puede estar taponada con recortes de césped. Apague la podadora, espere que la hoja se detenga, desenchufe la podadora y límpiela. - Es posible que el césped esté muy alto. Intente empujar a un ritmo más lento o aumente la altura de corte. - Controle el filo y el equilibrio de la hoja y, de ser necesario, corrija. - Está desbrozando y hay mucho césped. Apague la podadora, espere que la hoja se detenga, DESENCHUFE la podadora, y anexe el conducto de descarga para dispersar el césped.
- Funciona pero corta	- Es posible que la hoja esté desafilada. Apague la podadora, poco espere que la hoja se detenga, DESENCHUFE la podadora y verifique con cuidado el filo de la hoja. - Es posible que la hoja esté dañada (doblada o muy astillada). Apague la podadora, espere que la hoja se detenga, DESENCHUFE la podadora y, de ser necesario, reemplace la hoja. - Es posible que el césped sea muy alto o espeso para la altura de corte. Apague la podadora, espere que la hoja se detenga, DESENCHUFE la podadora y aumente la altura de corte.
- Exceso de vibración	- Es posible que la hoja esté floja. Apague la podadora, espere que la hoja se detenga, DESENCHUFE la podadora y verifique si la hoja está bien ajustada. - Es posible que la hoja esté doblada o muy astillada. Apague la podadora, espere que la hoja se detenga, desenchufe la podadora y, de ser necesario, reemplace la hoja. - Es posible que la hoja no esté nivelada. Consulte la sección de nivelado de la hoja del manual de instrucciones.
- La podadora no se puede mover con facilidad	- La podadora está muy cerca del suelo con respecto a la cantidad de césped que se desea cortar. Apague la podadora, espere que la hoja se detenga, DESENCHUFE la podadora y aumente la altura de corte. - Apague la podadora, espere que la hoja se detenga, DESENCHUFE la podadora y verifique que las ruedas y los ejes giren con facilidad.
-La podadora deja terrones de césped	- Apague la podadora, espere que la hoja se detenga, DESENCHUFE la podadora y verifique que las ruedas - Está desbrozando y hay mucho césped. Apague la podadora, espere que la hoja se detenga, DESENCHUFE la podadora, y anexe el conducto de descarga para dispersar el césped. - Apague la podadora, espere que la hoja se detenga, DESENCHUFE la podadora y verifique que la hoja esté afilada. - Es posible que el césped esté muy mojado para cortarlo. Espere que el césped se seque.
-Taponamiento de la bolsa o el conducto de descarga	- Es posible que el césped esté muy mojado. Vuelva a intentar cuando se seque. - Hay demasiado césped. Apague la podadora, espere que la hoja se detenga, DESENCHUFE la podadora y aumente la altura de corte.

A CONTINUACIÓN, LE BRINDAMOS ALGUNOS CONSEJOS ÚTILES PARA APROVECHAR AL MÁXIMO SU PODADORA BLACK & DECKER... Y CONSERVAR SU CÉSPED EN PERFECTAS CONDICIONES

1. El primer corte se debe realizar en primavera cuando el césped tiene aproximadamente 63 mm (2 1/2 pulg.) o 76 mm (3 pulg.) de alto. De lo contrario, si se corta el césped demasiado temprano, se limitan los sistemas radiculares que se autorenewan en cada primavera. El césped nuevo se debe cortar cuando alcanza una altura de 63 mm (2 1/2 pulg.).
2. No corte el césped de una altura excesiva de una sola vez... la pauta a seguir es no cortar nunca más de 1/3 de la altura de la hoja durante cada sesión de corte. El corte de césped demasiado corto da como resultado un sistema radicular de poca profundidad, lo que hace que el césped tenga dificultades para alcanzar el agua del suelo.
3. Los especialistas en césped indican que el corte excesivamente corto es la causa de muchas de las dificultades que se observan en el crecimiento de céspedes. La profundidad y la fortaleza de las raíces tienen una relación directamente proporcional al crecimiento. Los céspedes maduros con frecuencia sufren daños importantes cuando se los corta a una altura menor de 38 mm (1 1/2 pulg.) y en los terrenos más extensos es conveniente respetar una altura entre 38 mm (1 1/2 pulg.) y 50 mm (2 pulg.).
4. Corte el césped cuando está seco para evitar la compactación del césped húmedo. Si puede elegir, la última hora de la tarde es la hora ideal para cortar el césped, no sólo porque el pasto está seco sino porque además el área recientemente cortada no queda expuesta a la intensa luz solar.
5. Para lograr un corte limpio, mantenga la hoja de corte afilada. Esto optimiza el rendimiento de la podadora y realiza el aspecto de su césped. Una hoja sin filo destroza y lastima las puntas del césped, así se perjudica el crecimiento saludable y se incrementa su sensibilidad a desarrollar enfermedades. Las puntas lastimadas producen un color amarillado que otorgan al césped un aspecto poco saludable. Una hoja sin filo también puede desenterrar las plantas recién nacidas.
6. Trate de cortar el césped siempre a la misma altura de corte (corte uniforme). Si bien hay momentos en que debe variar la altura de corte debido al cambio de estaciones, también, respetar una altura de corte uniforme, produce un césped más sano, de mejor aspecto y con menor cantidad de malezas. Corte el césped más frecuentemente durante los períodos de crecimiento rápido. El corte frecuente garantiza que la porción inferior, menos atractiva del césped no sea visible.
7. Si su césped ha crecido a una altura excesiva (por ejemplo, las vacaciones pueden ocasionar la interrupción de su programa de cortes), realice el corte con una altura una o dos posiciones más altas que la posición habitual. Una segunda pasada con una altura de corte normal unos días más tarde, será suficiente para volver al programa de corte habitual. El cambio de la altura de corte es sumamente sencillo gracias al sistema Black & Decker de ajuste de altura de ruedas de un solo toque, este sistema permite ajustar las cuatro ruedas de una sola vez.
8. Durante la primavera y el otoño, (o después de una interrupción del programa de cortes), el césped estará más largo y más tupido. Si percibe que el motor reduce su velocidad continuamente durante la sesión de corte, intente ajustar las ruedas a una altura mayor de corte. La sobrecarga del motor da como resultado un corte desperejo, la descarga rápida de la batería y además puede provocar el disparo del disyuntor que a su vez provocará la detención del motor.
9. Tres buenas ideas para realzar el aspecto del césped: Varíe la dirección de corte con frecuencia, corte en dirección horizontal en las laderas (esto es también una buena práctica de seguridad) y no se olvide de solapar el recorrido de corte en cada pasada.
10. Siempre corte el césped para que los recortes se descarguen sobre el terreno. De esta manera, el césped tendrá un aspecto siempre fresco al evitarse la acumulación de "césped cortado" que a su turno tomará una coloración marrón y dará un aspecto descuidado.

INFORMACIÓN DE MANTENIMIENTO

Todos los Centros de mantenimiento de Black & Decker cuentan con personal altamente capacitado dispuesto a brindar a todos los clientes un servicio eficiente y confiable en la reparación de herramientas eléctricas. Si necesita consejo técnico, reparaciones o piezas de repuesto originales de fábrica, póngase en contacto con el centro de mantenimiento de Black & Decker más cercano a su domicilio. Para ubicar su centro de servicio local, consulte la sección "Herramientas eléctricas" (Tools-Electric) de las páginas amarillas, llame al **(55)5326-7100** o visite nuestro sitio **www.blackanddecker.com**.

GARANTÍA COMPLETA DE DOS AÑOS PARA USO EN EL HOGAR

Black & Decker (Estados Unidos) Inc. ofrece una garantía de dos años por cualquier defecto del material o de fabricación de este producto. El producto defectuoso se reparará o reemplazará sin costo alguno de dos maneras.

La primera opción, el reemplazo, es devolver el producto al comercio donde se lo adquirió (siempre y cuando se trate de un comercio participante). Las devoluciones deben realizarse conforme a la política de devolución del comercio (generalmente, entre 30 y 90 días posteriores a la venta). Le pueden solicitar comprobante de compra. Consulte en el comercio acerca de la política especial sobre devoluciones una vez excedido el plazo establecido.

La segunda opción es llevar o enviar el producto (con flete pago) a un Centro de mantenimiento propio o autorizado de Black & Decker para su reparación o reemplazo según nuestro criterio. Le pueden solicitar el comprobante de compra. Los Centros de mantenimiento autorizados y de propiedad de Black & Decker se detallan en la sección "Herramientas eléctricas" (Tools-Electric) de las páginas amarillas de la guía telefónica.

Esta garantía no se extiende a los accesorios. Esta garantía le concede derechos legales específicos; usted puede tener otros derechos que pueden variar según el estado o la provincia. Si tiene alguna pregunta, comuníquese con el gerente del Centro de mantenimiento de Black & Decker de su zona. Este producto no está diseñado para uso comercial.

REEMPLAZO GRATUITO DE LAS ETIQUETAS DE ADVERTENCIAS: si sus etiquetas de advertencia se tornan ilegibles o faltan, llame al **(55)5326-7100** para que se le reemplacen gratuitamente.

Garantía en la cubierta

Garantía de por vida para la CUBIERTA únicamente contra cualquier defecto en el material o mano de obra.

Este producto no ha sido diseñado para uso comercial.

Para reparación y servicio de sus herramientas eléctricas, favor de dirigirse al Centro de Servicio más cercano:

CULIACAN, SIN

Av. Nicolás Bravo #1063 Sur
(667) 7 12 42 11
Col. Industrial Bravo

GUADALAJARA, JAL

Av. La Paz #1779
(33) 3825 6978
Col. Americana Sector Juárez

MEXICO, D.F.

Eje Central Lázaro Cardenas
No. 18
(55) 5588 9377
Local D, Col. Obrera

MERIDA, YUC

Calle 63 #459-A
(999) 928 5038
Col. Centro

MONTERREY, N.L.

Av. Francisco I. Madero
No.831
(81) 8375 2313
Col. Centro

PUEBLA, PUE

17 Norte #205
(222) 246 3714
Col. Centro

QUERETARO, QRO

Av. Madero 139 Pte.
(442) 214 1660
Col. Centro

SAN LUIS POTOSI, SLP

Av. Universidad 1525
(444) 814 2383
Col. San Luis

TORREON, COAH

Bldv. Independencia, 96
Pte.
(871) 716 5265
Col. Centro

VERACRUZ, VER

Prolongación Díaz Mirón
#4280
(229)921 7016
Col. Remes

VILLAHERMOSA, TAB

Constitución 516-A
(993) 312 5111
Col. Centro

PARA OTRAS LOCALIDADES LLAME AL: (55) 5326 7100

**Vea "Herramientas
eléctricas (Tools-
Electric)"**

**- Páginas amarillas -
para Servicio y ventas**



BLACK & DECKER S.A. DE C.V.
BOSQUES DE CIDROS ACCESO RADIATAS
NO. 42
COL. BOSQUES DE LAS LOMAS.
05120 MEXICO, D.F
TEL. 55-5326-7100

