



# Walk-Behind Lawn Mowers

## Parts Manual

---

### Models

911150 - BRP21

911151 - BRP21 CARB

911152 - BRSP21

911153 - BRSP21 CARB

911154 - BRSPE21



# THE MANUAL

---

Before you operate your unit, carefully and completely read manuals supplied with the unit. The contents will provide you with an understanding of safety instructions and controls during normal operation and maintenance.

For your safety and the safety of others always read, understand, and follow all DANGER, WARNING, and CAUTION messages found in manuals and on safety decals.

Hardware descriptions are given in decimals.

Decimals to Fractions			
.063	1/16	.563	9/16
.125	1/8	.625	5/8
.188	3/16	.688	11/16
.250	1/4	.750	3/4
.313	5/16	.813	13/16
.375	3/8	.875	7/8
.438	7/16	.938	15/16
.500	1/2	1.00	1

## SERVICE AND REPLACEMENT PARTS

---

When ordering replacement parts or making service inquiries, know the Model and Serial numbers of your unit and engine.

Numbers are located on the product registration card in the unit literature package. They are printed on a serial number label, located on the frame of your unit.

- Record Unit Model and Serial numbers here:

- Record Engine Model and Serial numbers here:

## UNAUTHORIZED REPLACEMENT PARTS

Use only Ariens replacement parts. The replacement of any part on this vehicle with anything other than an Ariens authorized replacement part may adversely affect the performance, durability, or safety of this unit and may void the warranty. Ariens disclaims liability for any claims or damages, whether warranty, property damage, personal injury or death arising out of the use of unauthorized replacement parts.

# PRODUCT REGISTRATION

---

The Ariens dealer must register the product at the time of purchase. Registering the product will help the company process warranty claims or contact you with the latest service information. All claims meeting requirements during the limited warranty period will be honored, whether or not the product registration card is returned. Keep a proof of purchase if you do not register your unit.

**Customer Note:** If the dealer does not register your product, please fill out, sign, and return the product registration card to Ariens.

## YOUR SATISFACTION IS IMPORTANT

---

**Questions? Please follow these helpful steps:**

1. Refer to the manuals supplied with your unit.  
They will guide you through safe and proper operation and maintenance.  
They contain specifications on your unit.  
If your questions are not answered in these manuals, go to step number two.
2. Contact Your Dealer.  
Our dealers will be happy to supply any service or advice required to keep your unit operating at peak efficiency.  
A factory trained staff is available to support your equipment needs. They stock genuine Ariens parts and lubricants manufactured with the same precision and skill as the original.  
If your questions are not resolved by the support staff, ask for the manager or owner.  
When contacting your Dealer supply your model and serial numbers.

## TO SPEED PARTS ORDERING:

1. Know the model and serial numbers of your unit.
2. Know the part number required.
3. Know the quantity required.
4. Know the part description.

## MODELS

---

### **Model 911150 (BRP21)**

Kohler XT-7  
Recoil, Push  
Serial No. 000101 and up

### **Model 911151 (BRP21) - CARB Engine**

Kohler XT-7  
Recoil, Push  
Serial No. 000101 and up

### **Model 911152 (BRSP21)**

Kohler XT-7  
Recoil, Self-Propelled  
Serial No. 000101 and up

### **Model 911153 (BRSP21) - CARB Engine**

Kohler XT-7  
Recoil, Self-Propelled  
Serial No. 000101 and up

### **Model 911154 (BRSPE21)**

5.5 hp Honda GCV 160  
Electric Start, Self-Propelled  
Serial No. 000101 and up

## TABLE OF CONTENTS

---

### **DECALS**

---

Decals ..... 4

### **FRAME**

---

Handlebar and Controls ..... 6

Mower Deck and Bagger ..... 8

### **WHEELS, HEIGHT OF CUT, TRANSMISSION**

---

Wheels and Height of Cut ..... 10

Transmission & Height of Cut ..... 12

### **ENGINE**

---

Engine, Blade and Belt ..... 14

### **ELECTRICAL**

---

Continuity & Electrical Diagram ..... 15

Electrical Harness & Battery ..... 16

# DECALS

---

Model 911150, 151, 152, 153, 154



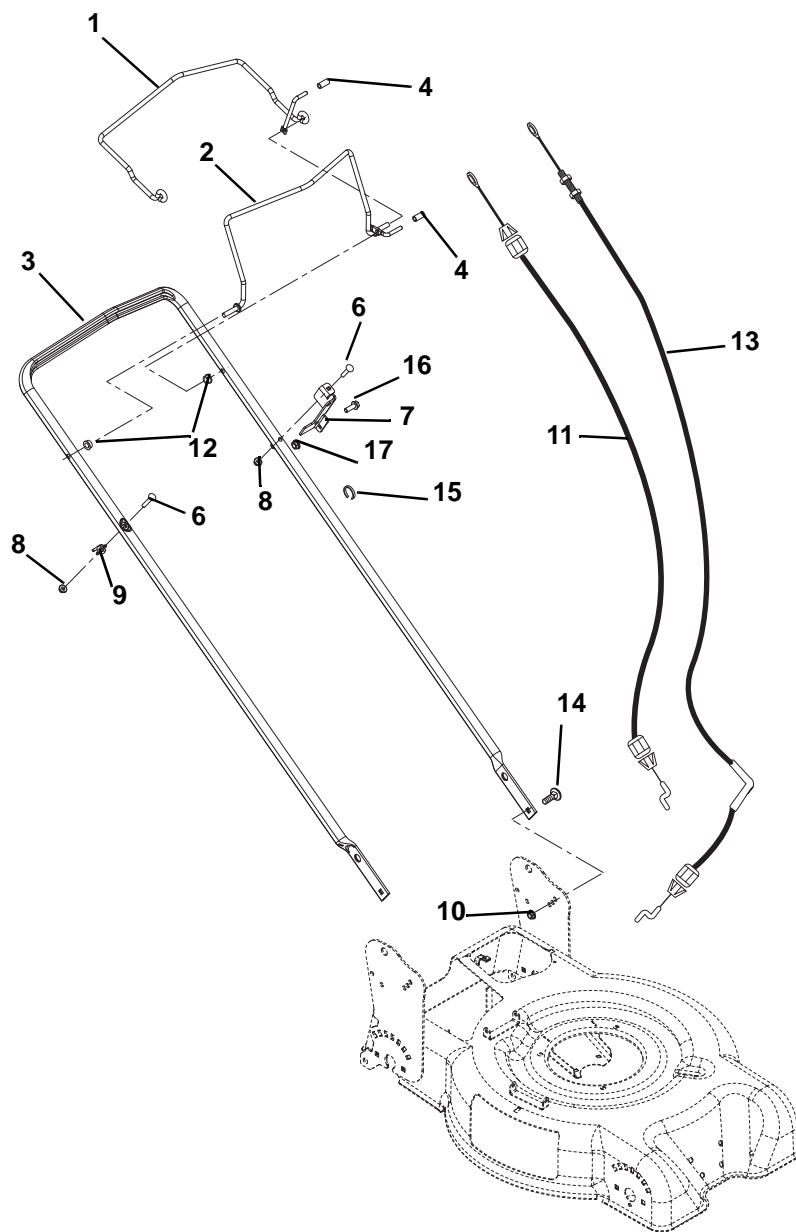
Item	Part No.	Qty.	Description
1	05303100	1	Ariens, Jewel
2	01285500	1	Decal, Ariens Blade Runner

# NOTES

---

# HANDLEBAR AND CONTROLS

Model 911150, 151, 152, 153, 154



# HANDLEBAR AND CONTROLS

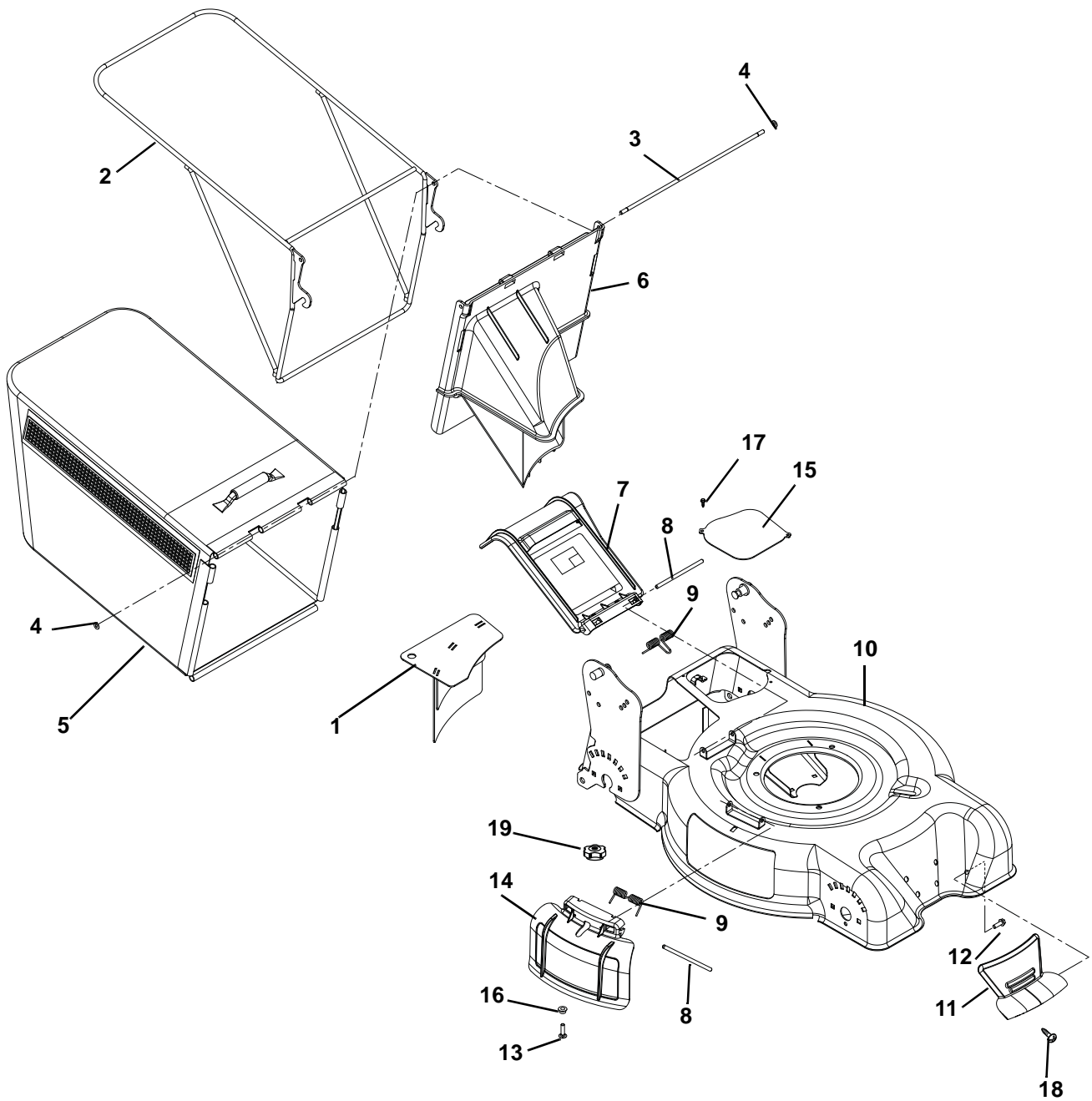
---

Model 911150, 151, 152, 153, 154

Item	Part No.	Qty.	Description
1	01263851	1	Bail, Drive
2	01263751	1	Bail, Operator Presence
3	01261351	1	Handlebar
4	07517000	2	Cap, Vinyl .25 I.D.
5	07517000	1	Cap, Vinyl .25 I.D.
6	06220100	2	Bolt, Round Head Square Neck .25-20 x 1.25
7	01250651	1	Anchor, Cable Thumb Adjustment
8	06543500	2	Nut, Locking-Top-Flange .25-20
9	04642100	1	Guide, Pullcord
10	06530400	2	Nut, Flange Spinlock .312-18
11	01281900	1	Cable, Operator Presence
12	05514500	2	Bushing, Flange .325 x .444 x.440 x.560
13	01266700	1	Cable, Traction Thumb Adjustment
14	06220800	2	Bolt, Round Head Square Short Neck .31-18 x .75 Grade 5
15	07539300	2	Clip, Conduit
16	05947400	1	Bolt, Hex .25-20 x 1.25 Grade 5
17	06543500	1	Nut, Locking-Top-Flange .25-20

# MOWER DECK AND BAGGER

Model 911150, 151, 152, 153, 154





# MOWER DECK AND BAGGER

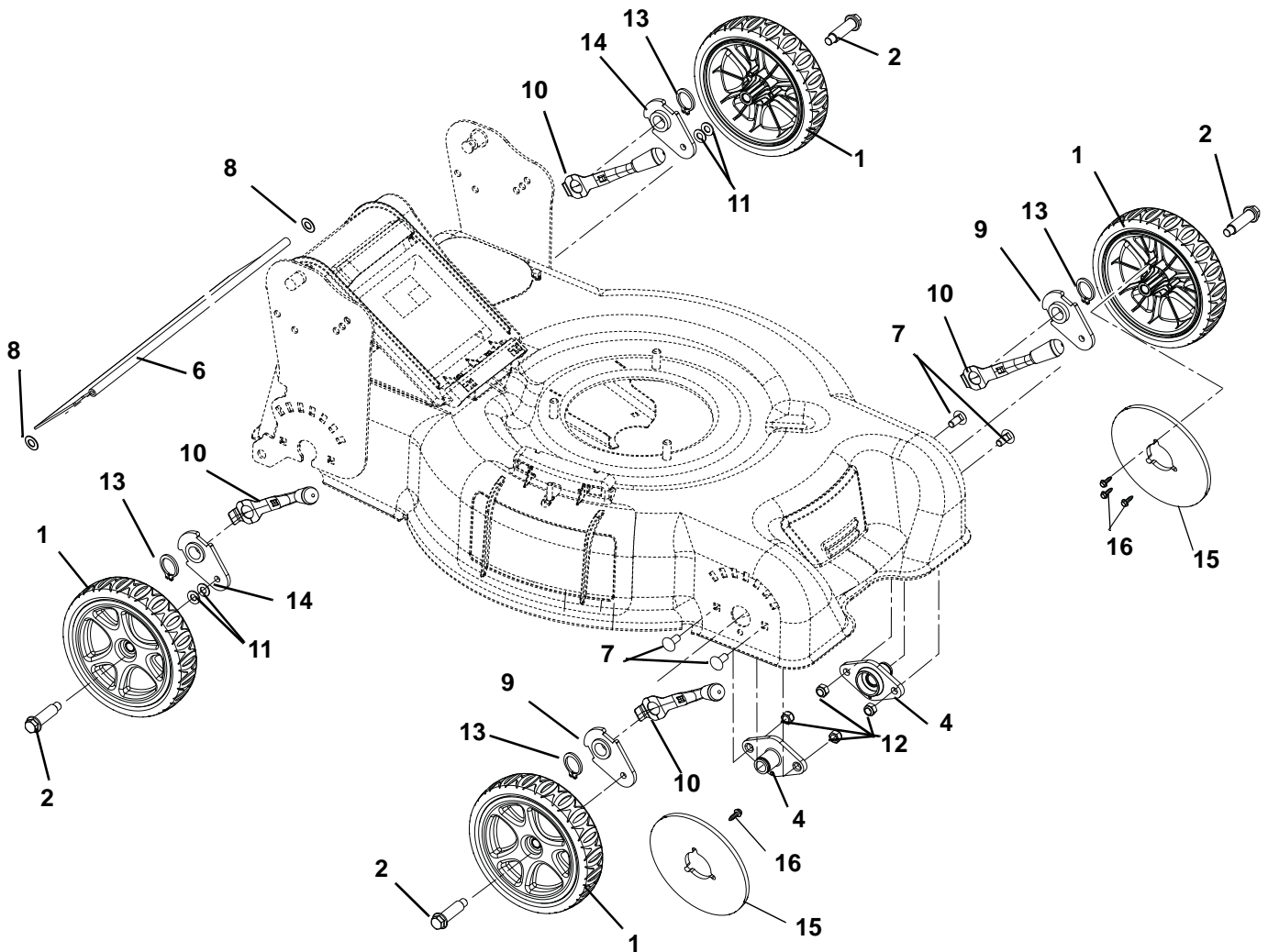
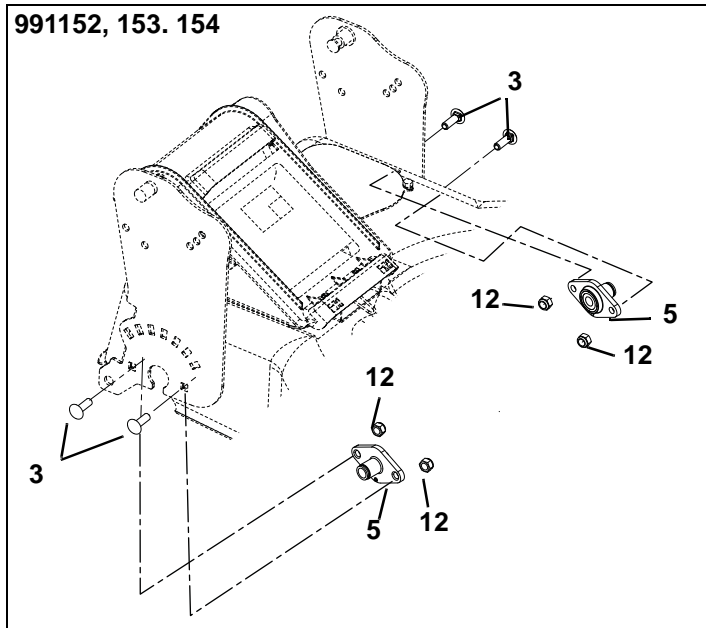
---

Model 911150, 151, 152, 153, 154

Item	Part No.	Qty.	Description
1	01268051	1	Mulch Plug
2	01278551	1	Frame, Bagger (911152, 153, 154)
3	01253200	1	Rod, Hinge (911152, 153, 154)
4	07027600	2	Nut, Push .25 x .50 O.D. (911152, 153, 154)
5	01250700	1	WBLM, Ariens Bagger (911152, 153, 154)
6	01253400	1	Bagger Door (911152, 153, 154)
7	01251400	1	Rear Discharge Cover
8	01260900	2	Pin, Hinge
9	08300035	2	Spring, Torsion
10	01253059	1	21" Deck Weldment
11	01264100	1	Grill Insert
12	07400011	2	Screw, Tapping 12-12 x .75
13	06219900	1	Bolt, Round Head Square Neck .25-20 x .75
14	01260500	1	Mulch Cover
15	01262351	1	Cover, Transmission Access
16	07276000	1	Pushnut
17	07412100	2	Screw, Tapping 10-24 x .375 Hex Washer Head Thread Rolling (911150, 151, 152, 153)
18	07400012	2	Screw, Self Drill/Tap
19	07500011	1	Knob, Clamping, .250-20 Nyloc

# WHEELS AND HEIGHT OF CUT

Model 911150, 151, 152, 153, 154



# WHEELS AND HEIGHT OF CUT

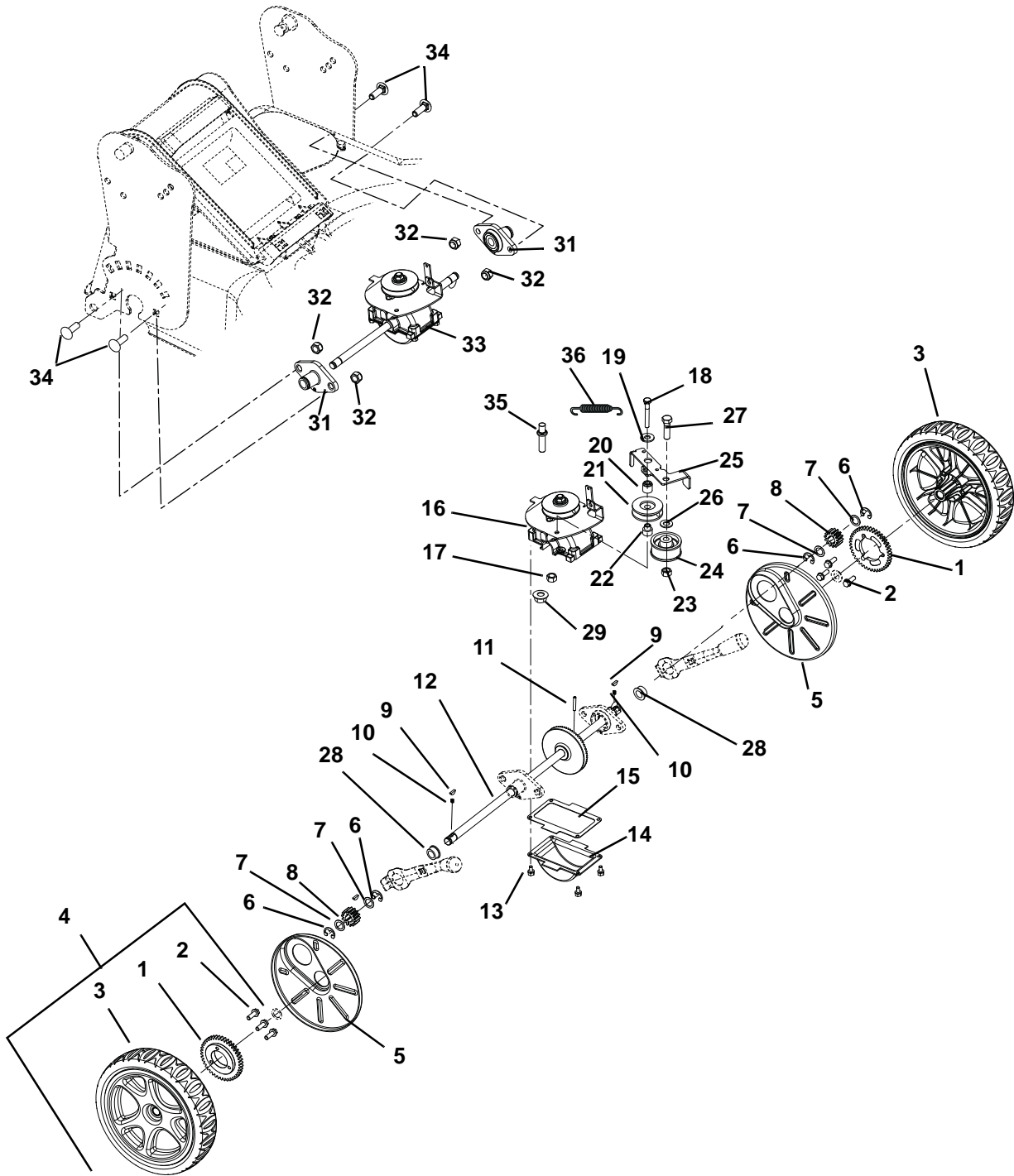
---

Model 911150, 151, 152, 153, 154

Item	Part No.	Qty.	Description
1	01266600	4	Wheel, 8.5" WBLM Assembly
2	01265100	4	Bolt, Wheel Shoulder
3	06216100	4	Bolt, Round Head Square Neck .31-18 x 1.00 Grade 5
4	01263000	4	Wheel Mount Hub (911150, 151)
5	51110700	2	Wheel Mount Hub (911152, 153, 154)
6	01250900	1	Guard, WBLM
7	06220800	4	Bolt, Round Head Square Short Neck .31-18 x .75 Grade 5 (911150, 151)
8	00548400	2	Retainer, .38 Push-On
9	01268500	2	Plate, Front Wheel Mount
10	01266400	4	Height of Cut Lever
11	06439900	4	Washer, Flat Steel .406 x .812 x .065 (911152, 153, 154)
12	06543100	8	Nut, Locking Top Flange .31-18
13	05714600	4	Ring, Retaining - External .689 x .077
14	01268600	2	Plate, Rear Wheel Mount
15	00606951	2	Weight, Wheel (991154)
16	07400008	6	Screw-Tapping .25-15X.75 Hi-LO Hex Washer Head (991154)

# TRANSMISSION & HEIGHT OF CUT

911152, 153, 154



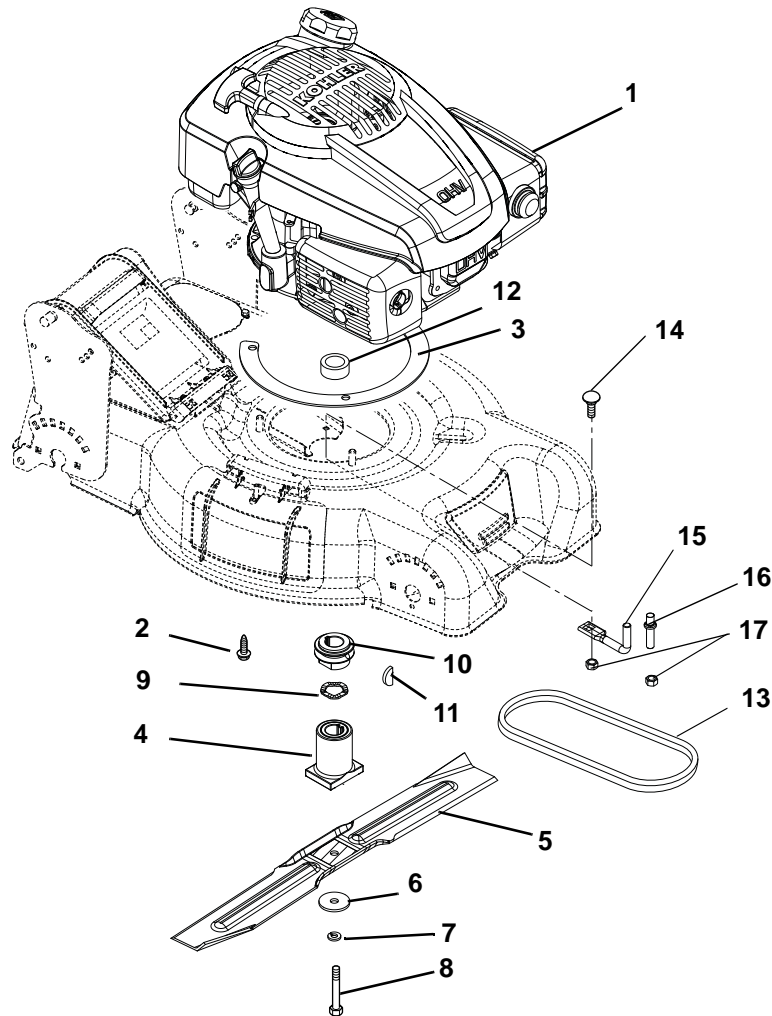
# TRANSMISSION & HEIGHT OF CUT

Model 911152, 153, 154

Item	Part No.	Qty.	Description
1	01291000	2	Gear, Wheel (Order as part of kit 51111000. See item 4.)
2	07400008	6	Screw, Tapping .25-15 x .75 Hi-Lo Hex Washer Head (Order as part of kit 51111000. See item 4.)
3	01250500	2	Wheel (Order as part of kit 51111000. See item 4.)
4	51111000	2	Kit, Assembly, LM Rear Wheel (Contains items 1, 2 and 3)
5	01263300	2	Wheel Cover
6	05710200	4	Ring, Retaining External .500 x .042
7	06400015	4	Washer, .500 x .750 x .020 Thrust
8	01255600	2	Pinion, WBLM Drive
9	06600004	2	Key, Woodruff .125 x .50 x .20
10	08300016	2	Spring, .134 x .186 x .144 Compression
11*	05802900	1	Pin, Roll .156 x 1.00
12	01255700	1	Shaft, Transmission Output
13	07412100	4	Screw, Tapping 10-24 x .375 Hex Washer Head
14	01255251	1	Sump, Gearbox
15	01256400	1	Gasket, Transmission
16	51112900	1	Kit, WBLM Transmission Housing
17	06543500	1	Nut, Locking Top Flange .25-20
18	05952700	1	Bolt, Hex .25-20 x 2.25 Grade 8
19	06435800	1	Washer, Flat Steel .328 x 1.0 x .094
20	01259000	1	Spacer, .390 x .75 x .189
21	00444400	1	Idler, 3L Front Side .38 x 1.875
22	01258900	1	Spacer, Idler Pulley
23	06529600	1	Nut, Locking Center .38-16
24	07326500	1	Idler, Flat 1.875 OD x .75 Wide
25	01258000	1	Arm, Transmission Idler
26	06436200	1	Washer, Flat Steel .406 x .812 x .065
27	05900021	1	Bolt, Hex .38-16 x 1.38 Grade 5
28	01255300	2	Bushing, Transmission Output Shaft
29	06530100	1	Nut, Locking Flange .250-20
30	01257600	1	Bracket, Transmission Control
31	51110700	2	Kit, Wheel Mount Hub Service
32	06543100	4	Nut, Locking Top Flange .31-18
33	51112800	1	Kit, Transmission Service
34	06216100	4	Bolt, Round Head Square Neck .31-18 x 1.00 Grade 5
35	01265600	1	Belt, Finger
36	08325200	1	Spring, Tension .051 x .60 x 2.25

# ENGINE, BLADE AND BELT

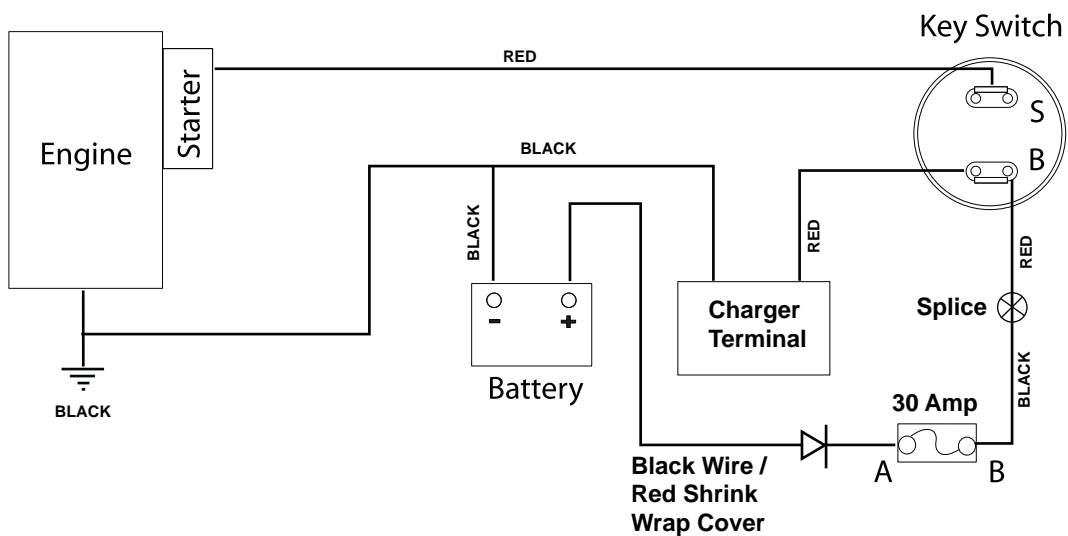
Model 911150, 151, 152, 153, 154



Item	Part No.	Qty.	Description
1	08200312	1	Engine, Kohler XT-7 (911150, 152)
	08200313	1	Engine, Kohler XT-7 (911151, 153)
	08200050	1	Engine, Honda GCV 160 5.5 hp, Electric Start (Honda Engine Model # - GCV160A) (911154)
2	07414100	3	Screw, Tapping .38-16X1.00 Hex Washer Head
3	01268100	1	Ring, Engine Bolt
4	09734700	1	Adapter, Blade Hub (911150, 151, 152, 153)
	09735400	1	Adapter, Blade Hub (911154)
5	01252100	1	21" Mower Blade
6	06441700	1	Washer, Flat Steel .39 x 1.5 x .125
7	06308800	1	Washer, Locking .38 x .094 Regular
8	05900029	1	Bolt, .38-24 x 2.5 Grade 8 (911150, 151, 152, 153)
	05976000	1	Bolt, Hex .38-24 x 2.00 Grade 8 (911154)
9	01192900	1	Washer, Wave .885 x 1.311 x .125 (911150, 151, 152, 153)
	09250700	1	Washer, Wave 1.09 x 1.37 x .016 (911154)
10	09733100	1	Pulley, Sintered Iron LM (911152, 153)
	09735300	1	Pulley, 1" Crank Drive (911154)
11	06600900	1	Key, Woodruff .156 x .625 x .25 (911150, 151, 152, 153)
	06601400	1	Key, Woodruff .188 x .625 x .25 (911154)
12	05500002	1	Spacer, .875 x 1.125 x .551 (911154)
	05535100	1	Spacer, Honda Electric Start Crank (911154)
13	07200505	1	Belt, 3L Wrapped 37.00"
14	06220600	1	Bolt, Round Head Square Neck .25-20 x .50 Grade 5
15	01265700	1	Finger, Belt
16	01265600	1	Finger, Belt
17	06530100	2	Nut, Locking-Flange .250-20

# CONTINUITY & ELECTRICAL DIAGRAM

Model 911154

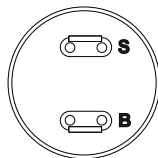


The diagram below shows the various states of connection for electrical components. The solid lines on switches show continuity.

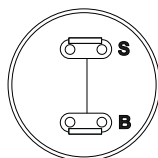
**NOTE:** All switches are viewed from the rear.

## Key Switch

01190600



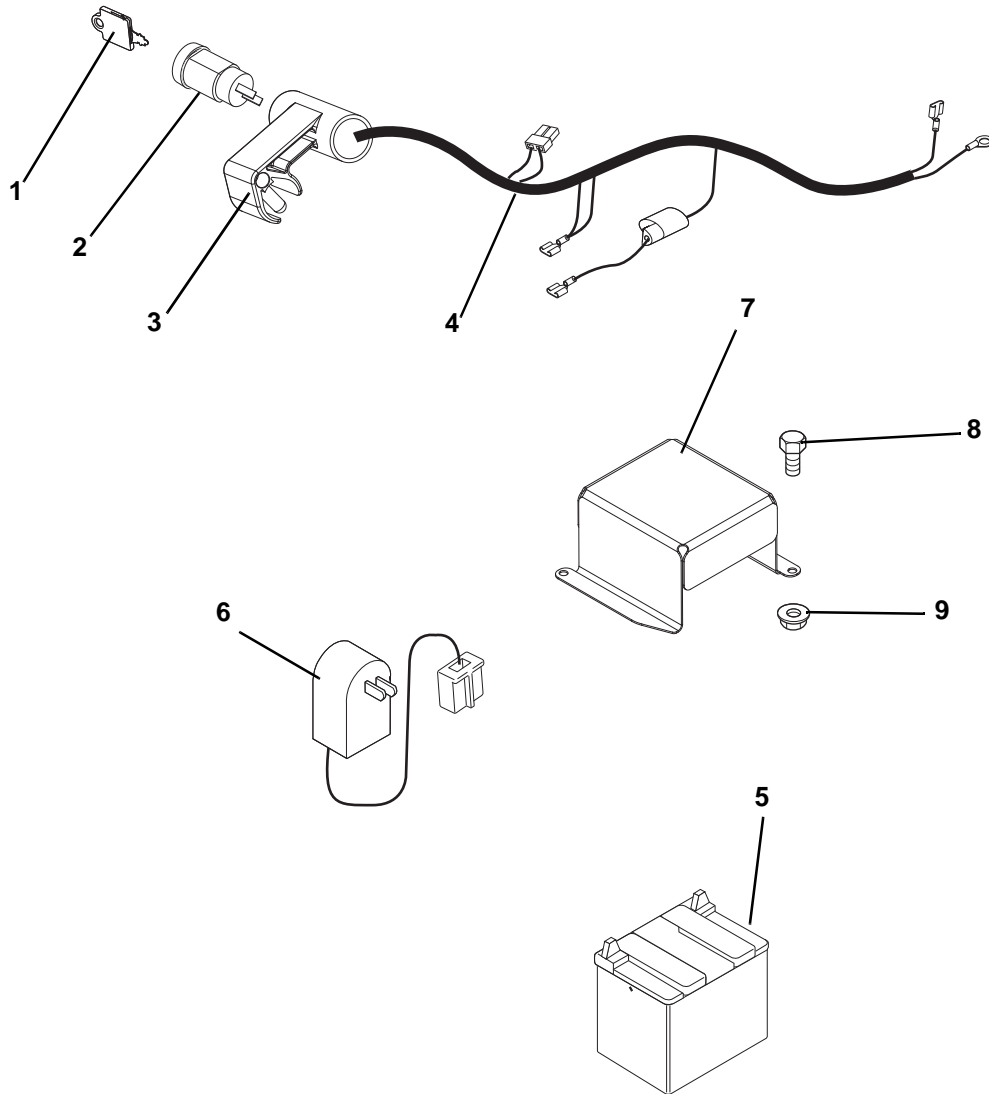
OFF POSITION



START POSITION

# ELECTRICAL HARNESS & BATTERY

Model 911154



Item	Part No.	Qty.	Description
1	02460700	1	Key
2	01269400	1	Key, Switch
3	01269200	1	Housing, Switch
4	01268800	1	Harness, Wire
5	01269300	1	Battery
6	01281100	1	Battery, Charger
7	01269151	1	Cover, Battery
8	06200013	2	Bolt, Hex 8-32 x .5
9	06531300	2	Nut, Locking-Nylon 8-32





Ariens Company  
655 West Ryan Street  
Brillion, WI 54110-1072  
920-756-2141  
Fax 920-756-2407  
[www.ariens.com](http://www.ariens.com)