



# Walk-Behind Lawn Mowers®

## Parts Manual

---

### Models

911110 - SP21

911111 - SSP21

911112 - DSP21

911113 - DESP21



# THE MANUAL

---

Before you operate your unit, carefully and completely read manuals supplied with the unit. The contents will provide you with an understanding of safety instructions and controls during normal operation and maintenance.

For your safety and the safety of others always read, understand, and follow all DANGER, WARNING, and CAUTION messages found in manuals and on safety decals.

Hardware descriptions are given in decimals.

Decimals to Fractions			
.063	1/16	.563	9/16
.125	1/8	.625	5/8
.188	3/16	.688	11/16
.250	1/4	.750	3/4
.313	5/16	.813	13/16
.375	3/8	.875	7/8
.438	7/16	.938	15/16
.500	1/2	1.00	1

## SERVICE AND REPLACEMENT PARTS

---

When ordering replacement parts or making service inquiries, know the Model and Serial numbers of your unit and engine.

Numbers are located on the product registration card in the unit literature package. They are printed on a serial number label, located on the frame of your unit.

- Record Unit Model and Serial numbers here:

- Record Engine Model and Serial numbers here:

## UNAUTHORIZED REPLACEMENT PARTS

Use only Ariens replacement parts. The replacement of any part on this vehicle with anything other than an Ariens authorized replacement part may adversely affect the performance, durability, or safety of this unit and may void the warranty. Ariens disclaims liability for any claims or damages, whether warranty, property damage, personal injury or death arising out of the use of unauthorized replacement parts.

# PRODUCT REGISTRATION

---

The Ariens dealer must register the product at the time of purchase. Registering the product will help the company process warranty claims or contact you with the latest service information. All claims meeting requirements during the limited warranty period will be honored, whether or not the product registration card is returned. Keep a proof of purchase if you do not register your unit.

**Customer Note:** If the dealer does not register your product, please fill out, sign, and return the product registration card to Ariens.

## YOUR SATISFACTION IS IMPORTANT

---

**Questions? Please follow these helpful steps:**

1. Refer to the manuals supplied with your unit.  
They will guide you through safe and proper operation and maintenance.  
They contain specifications on your unit.  
If your questions are not answered in these manuals, go to step number two.
2. Contact Your Dealer.  
Our dealers will be happy to supply any service or advice required to keep your unit operating at peak efficiency.  
A factory trained staff is available to support your equipment needs. They stock genuine Ariens parts and lubricants manufactured with the same precision and skill as the original.  
If your questions are not resolved by the support staff, ask for the manager or owner.  
When contacting your Dealer supply your model and serial numbers.

## TO SPEED PARTS ORDERING:

1. Know the model and serial numbers of your unit.
2. Know the part number required.
3. Know the quantity required.
4. Know the part description.

## MODELS

---

### Model 911110 (SP21)

6.5 hp Briggs Quantum  
Recoil, Push  
Serial No. 000101 and up

### Model 911111 (SP21)

6.5 hp Briggs Quantum  
Recoil, Self-Propelled  
Serial No. 000101 and up

### Model 911112 (DSP21)

5.5 hp Honda GCV 160  
Recoil, Self-Propelled, Deluxe  
Serial No. 000101 and up

### Model 911113 (DESP21)

5.5 hp Honda GCV 160  
Electric Start, Self-Propelled, Deluxe  
Serial No. 000101 and up

## TABLE OF CONTENTS

---

### DECALS

---

Decals ..... 4

### FRAME

---

Handlebar and Controls ..... 6]

Handlebar and Controls - Deluxe ..... 8

Mower Deck and Bagger ..... 10

### WHEELS, HEIGHT OF CUT, TRANSMISSION

---

Wheels and Height of Cut ..... 12

Transmission & Height of Cut ..... 14

### ENGINE

---

Engine, Blade and Belt ..... 16

### ELECTRICAL

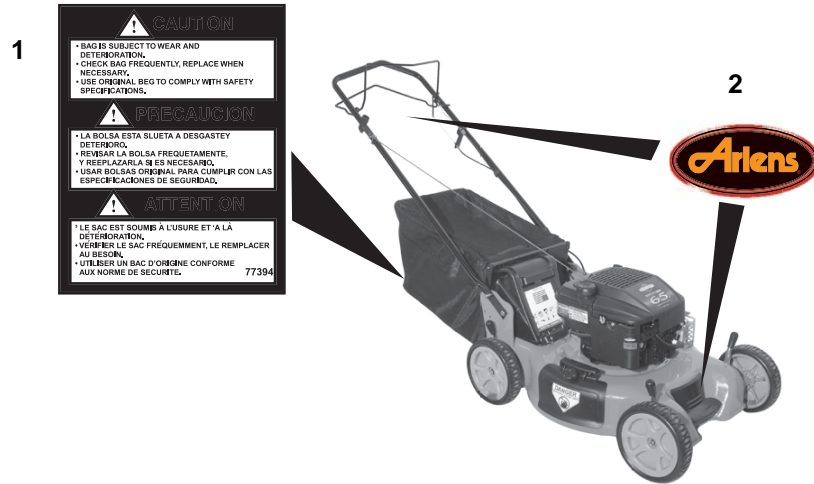
---

Continuity & Electrical Diagram ..... 17

Electrical Harness & Battery ..... 18

# DECALS

Model 911110, 111, 112, 113



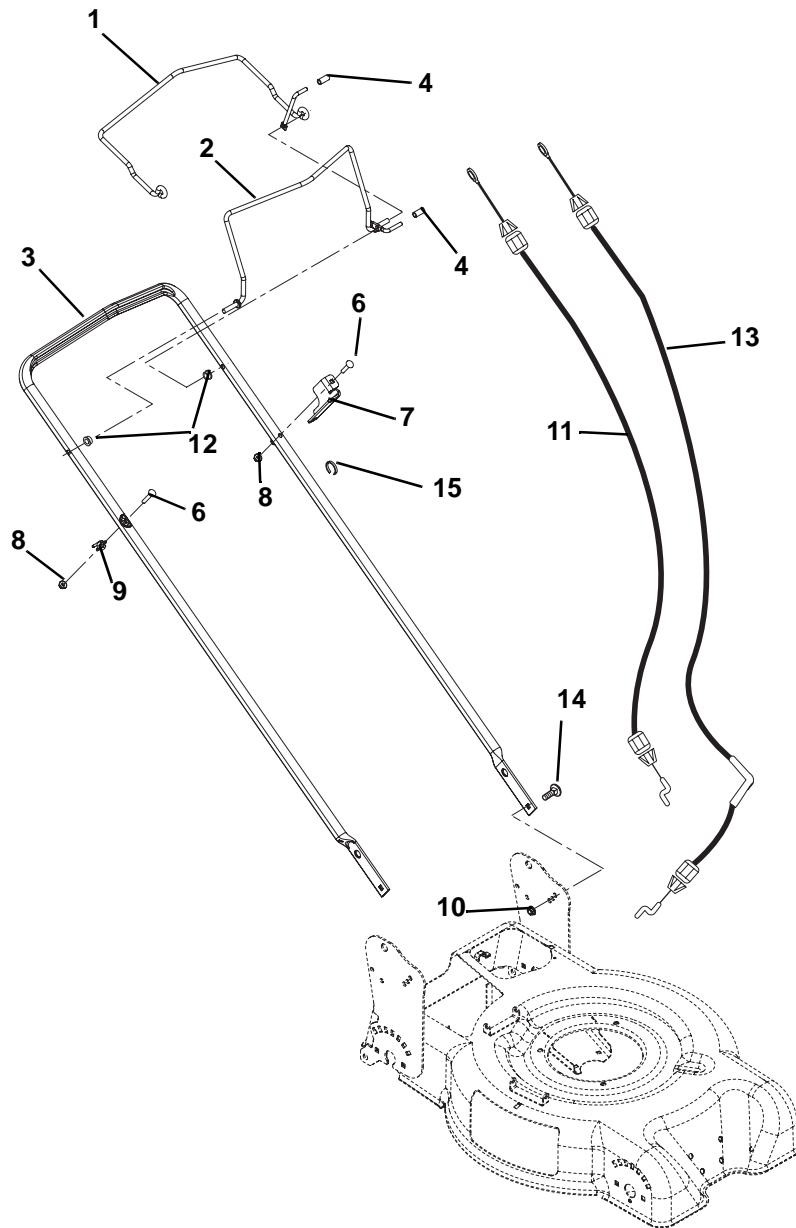
Item	Part No.	Qty.	Description
1	07739400	1	Label, Bagger 21"
2	05303100	1	Ariens Jewel (110, 111)
	05303100	2	Ariens Jewel (112, 113)

# NOTES

---

# HANDLEBAR AND CONTROLS

Model 911110, 111



PM0028

# HANDLEBAR AND CONTROLS

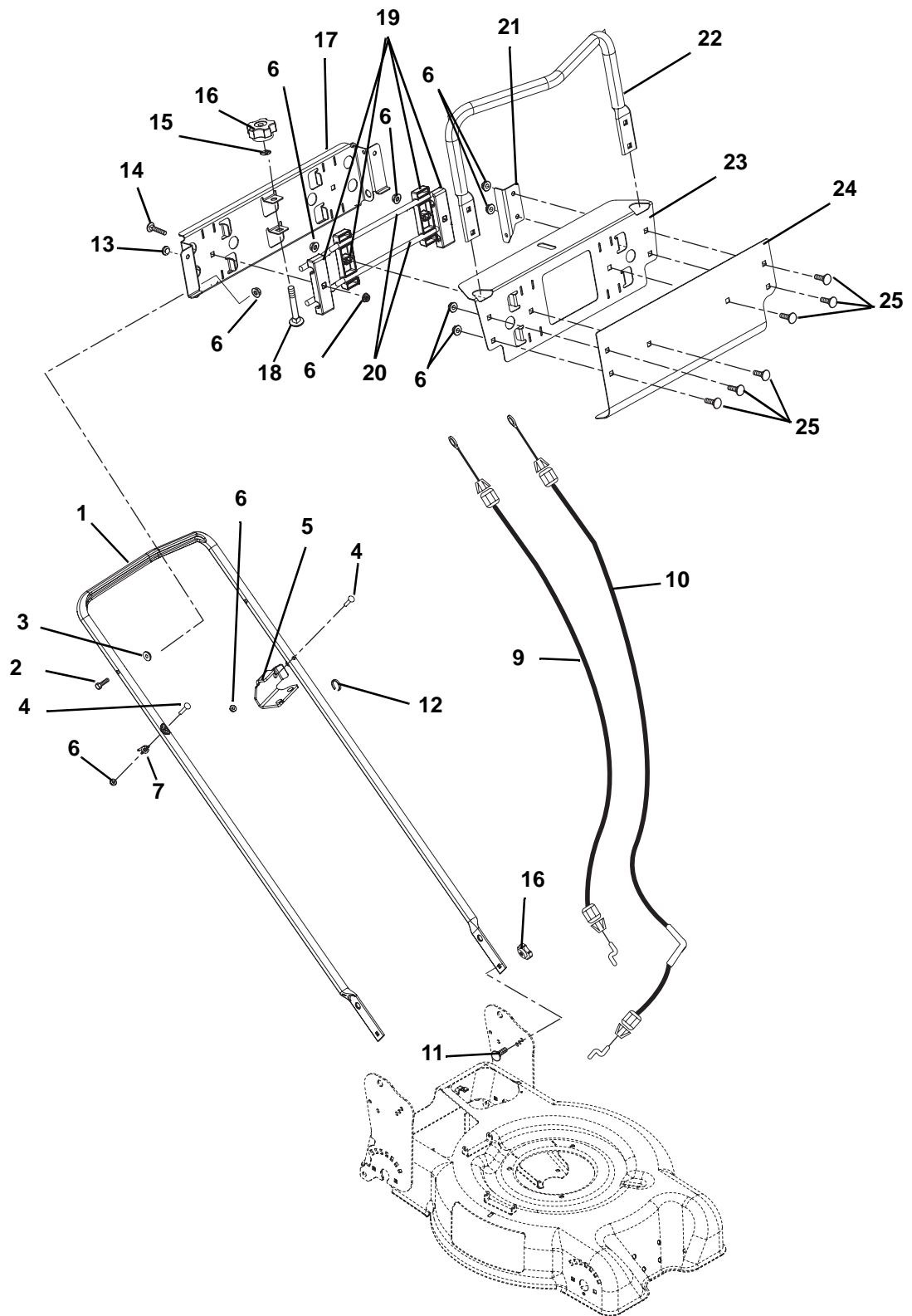
---

Model 911110, 111

Item	Part No.	Qty.	Description
1	01263851	1	Bail, Drive (911111)
2	01263751	1	Bail, Operator Presence
3	01261351	1	Handlebar
4	07517000	2	Cap, Vinyl .25 I.D. (911111)
5	07517000	1	Cap, Vinyl .25 I.D. (911110)
6	06220100	2	Bolt, Round Head Square Neck .25-20 x 1.25
7	01256251	1	Anchor, Cable
8	06543500	2	Nut-Locking-Top-Flange .25-20
9	04642100	1	Guide, Pullcord
10	06530400	2	Nut, Flange Spinlock .312-18
11	01264400	1	Cable, Operator Presence
12	05514500	2	Bushing-Flange .325 x .444 x.440 x.560 (911110)
13	01264300	1	Cable, Traction (911111)
14	06220800	2	Bolt, Round Head Square Short Neck .31-18 x .75 Grade 5
15	07539300	2	Clip, Conduit

# HANDLEBAR AND CONTROLS - DELUXE

Model 911112, 113





# HANDLEBAR AND CONTROLS - DELUXE

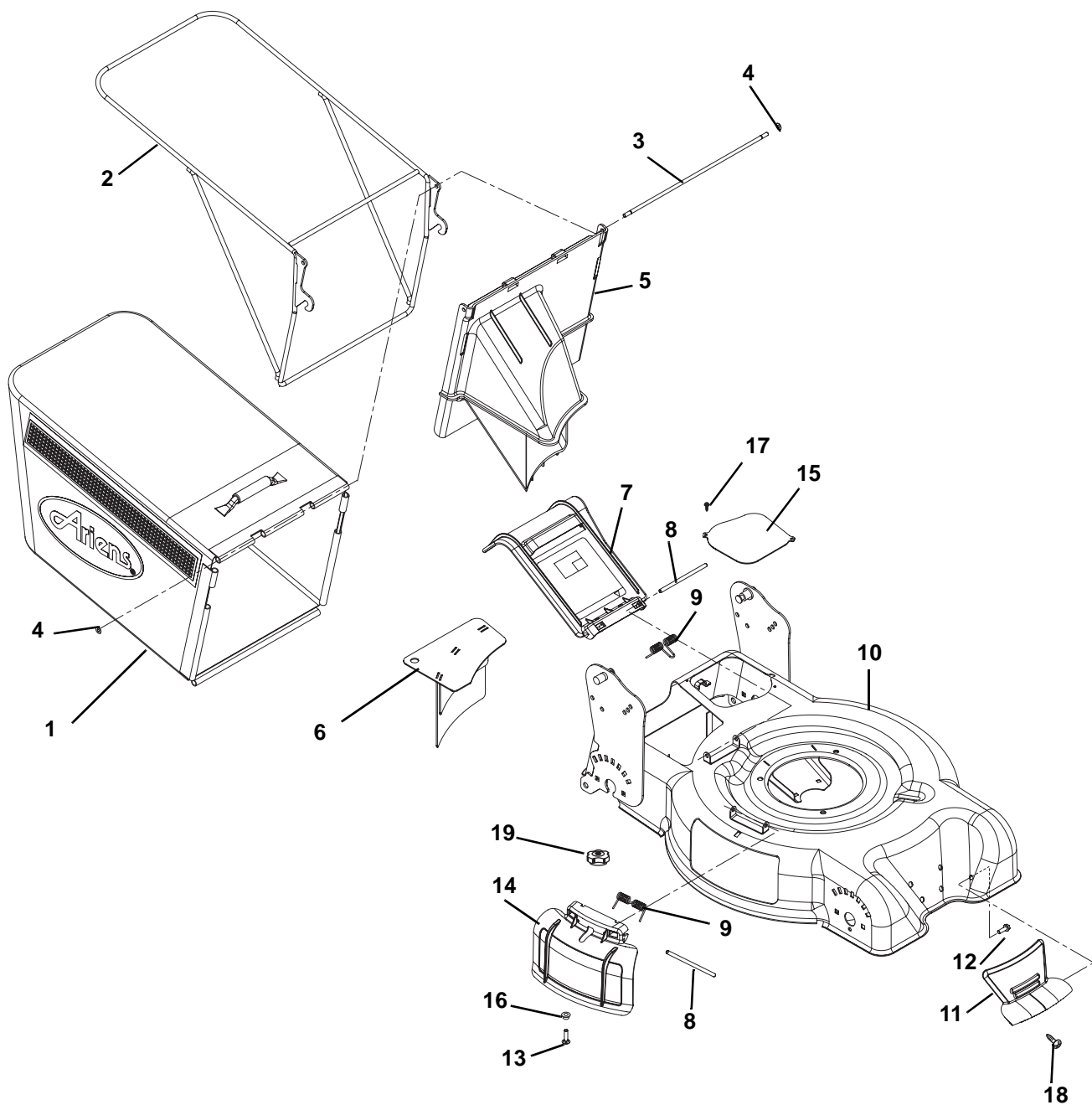
---

Model 911112, 113

Item	Part No.	Qty.	Description
1	01269051	1	Handlebar
2	05964700	2	Bolt, Hex .25-20 x 1.75 Grade 5
3	05513400	2	Bushing, Flange .265 x .437 x .250 x .750
4	06220100	2	Bolt, Round Head Square Neck .25-20 x 1.25
5	00589051	1	Bracket, Cable Anchor
6	06543500	10	Nut-Locking-Top-Flange .25-20
7	04642100	1	Guide, Pullcord
8	06530400	2	Nut, Flange Spinlock .312-18
9	01264900	1	Cable, Operator Presence
10	01264800	1	Cable, Traction
11	06220800	2	Bolt, Round Head Square Short Neck .31-18 x .75 Grade 5
12	07539300	2	Clip, Conduit
13	06219800	1	Bolt, Round Head Square Neck .25-20 x 1.00 Grade 5
14	07511800	2	Bumper
15	06514900	1	Nut, Push .312
16	07534800	3	Knob, Nyloc Clamping, .312-18
17	00581051	1	Plate, Hinge
18	06226200	1	Bolt, Full Thread Round Head Square Neck .31-18 x 5 Grade 5
19	00587100	4	Clamp, 4-Bar
20	00581200	2	Rod, 4-Bar
21	00586951	1	Bracket, Cable Anchor
22	00584651	1	Bail, .750 Tube
23	00581351	1	Cover, Operator Presence Control
24	00595651	1	Cover, Sheetmetal
25	06219800	1	Bolt, Round Head Square Neck .25-20 x 1.00 Grade 5

# MOWER DECK AND BAGGER

Model 911110, 111, 112, 113



PM0020

# MOWER DECK AND BAGGER

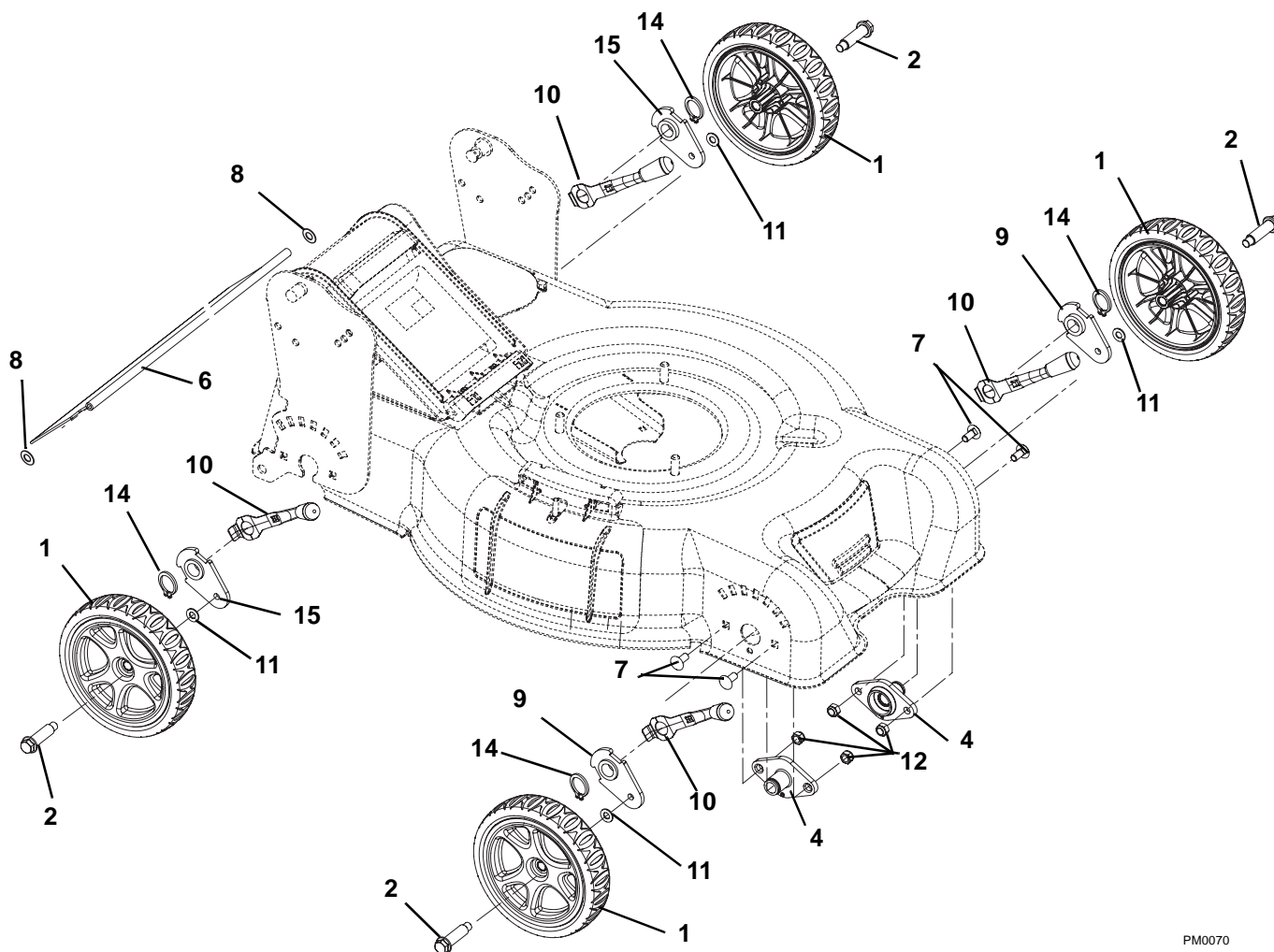
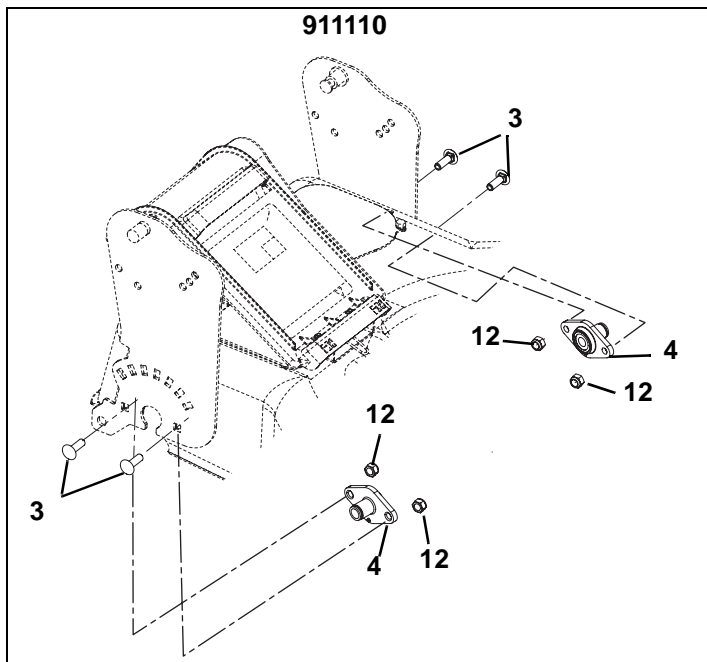
---

Model 911110, 111, 112, 113

Item	Part No.	Qty.	Description
1	01250700	1	WBLM, Ariens Bagger (911111, 112, 113)
2	01253351	1	Frame, Bagger (911111, 112, 113)
3	01253200	1	Rod, Hinge (911111, 112, 113)
4	07027600	2	Nut, Push .25 x .50 O.D. (911111, 112, 113)
5	01253400	1	Bagger Door (911111, 112, 113)
6	01268051	1	Mulch Plug
7	01251400	1	Rear Discharge Cover
8	01260900	2	Pin, Hinge
9	01258100	2	Spring, Torsion
10	01253059	1	21" Deck Weldment
11	01264100	1	Grill Insert
12	07400011	2	Screw, Tapping 12-12 x .75
13	06219900	1	Bolt, Round Head Square Neck .25-20 x .75
14	01260500	1	Mulch Cover
15	01262351	1	Cover, Transmission Access
16	07276000	1	Pushnut
17	07412100	2	Screw, Tapping 10-24 x .375 Hex Washer Head Thread Rolling (911110, 111, 112)
18	07400012	2	Screw, Self Drill/Tap
19	07500011	1	Knob, Clamping, .250-20 Nyloc

# WHEELS AND HEIGHT OF CUT

Model 911110, 111, 112, 113



PM0070

## WHEELS AND HEIGHT OF CUT

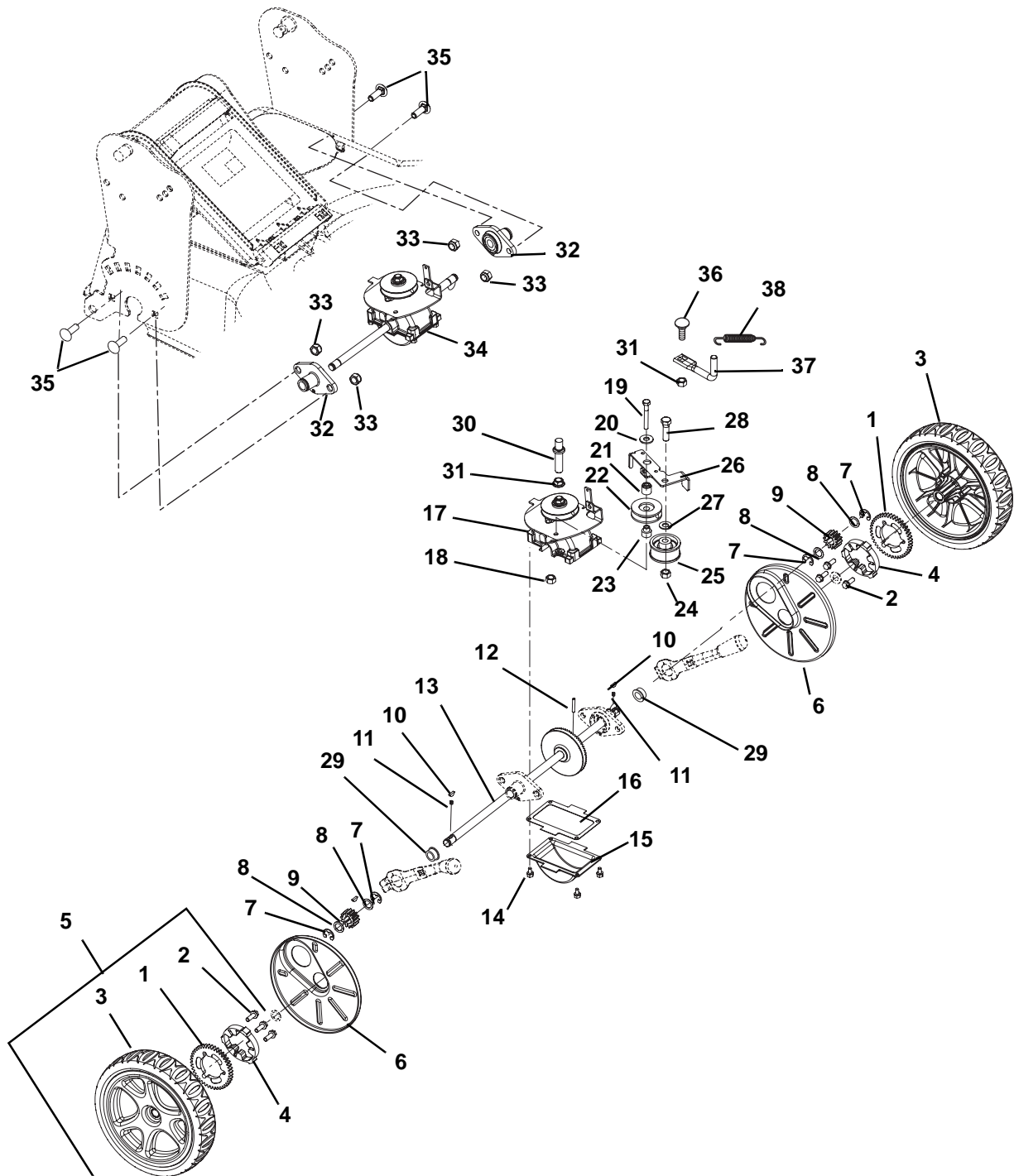
---

Model 911110, 111, 112, 113

Item	Part No.	Qty.	Description
1	01250500	4	Assembly, Wheel
2	01265100	4	Bolt, Wheel Shoulder
3	06216100	4	Bolt, Round Head Square Neck .31-18 x 1.00 Grade 5
4	01263000	4	Wheel Mount Hub (911110)
5	01263000	2	Wheel Mount Hub (911111, 112, 113)
6	01250900	1	Guard, WBLM
7	06220800	4	Bolt, Round Head Square Short Neck .31-18 x .75 Grade 5 (911110)
8	00548400	2	Retainer, .38 Push-On
9	01263200	2	Weldment, Front Wheel Bracket
10	01266400	4	Height of Cut Lever
11	06436200	4	Washer, Flat Steel .406 x .812 x .065
12	06543100	8	Nut, Locking Top Flange .31-18 (911110)
13	06543100	4	Nut, Locking Top Flange .31-18 (911111)
14	05714600	4	Ring, Retaining-External .689 x .077
15	01263100	2	Weldment, Rear Wheel Bracket

# TRANSMISSION & HEIGHT OF CUT

Model 911111, 112, 113



PM0090

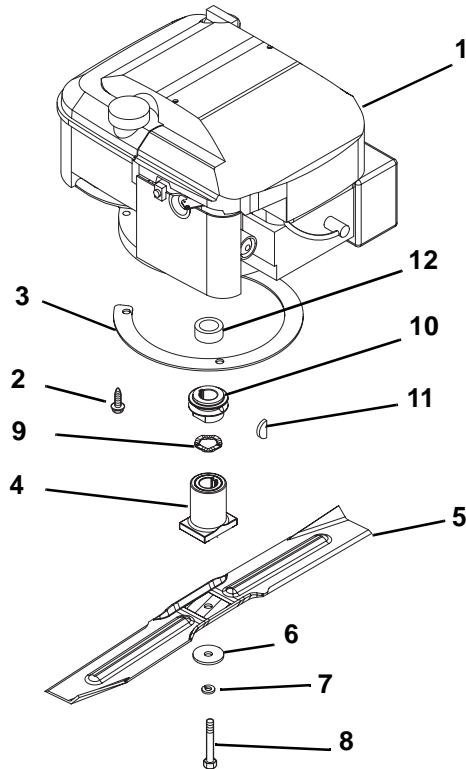
# TRANSMISSION & HEIGHT OF CUT

Model 911111, 112, 113

Item	Part No.	Qty.	Description
1	01296500	2	Gear, Wheel (Order as part of kit 5111100. See item 5.)
2	07400008	6	Screw, Tapping .25-15 x .75 Hi-LO Hex Washer Head (Order as part of kit 5111100. See item 5.)
3	01250500	2	Wheel (Order as part of kit 5111100. See item 5.)
4	01273900	2	Ring, Torque (Order as part of kit 5111100. See item 5.)
5	51111000	2	Kit, Assembly, LM Rear Wheel (Contains items 1, 2, 3 and 4)
6	01263300	2	Wheel Cover
7	05710200	4	Ring, Retaining External .500 x .042
8	06400015	4	Washer, .500 x .750 x .020 Thrust
9	01255600	2	Pinion, WBLM Drive
10	06600004	2	Key, Woodruff .125 x .50 x .20
11	08300016	2	Spring, .134 x .186 x .144 Compression
12*	05802900	1	Pin, Roll .156 x 1.00
13	01255700	1	Shaft, Transmission Output
14	07412100	4	Screw, Tapping 10-24 x .375 Hex Washer Head
15	01255251	1	Sump, Gearbox
16	01256400	1	Gasket, Transmission
17	51110600	1	Kit, WBLM Transmission Housing
18	06543500	1	Nut, Locking Top Flange .25-20
19	05967100	1	Bolt, Hex .25-20 x 2.00 Grade 5
20	06435800	1	Washer, Flat Steel .328 x 1.0 x .094
21	01259000	1	Spacer, .390 x .75 x .189
22	00444400	1	Idler, 3L Front Side .38 x 1.875
23	01258900	1	Spacer, Idler Pulley
24	06529600	1	Nut, Locking Center .38-16
25	07326500	1	Idler, Flat 1.875OD x .75WIDE
26	01258000	1	Arm, Transmission Idler
27	06436200	1	Washer, Flat Steel .406 x .812 x .065
28	05900021	1	Bolt, Hex .38-16 x 1.38 Grade 5
29	01255300	2	Bushing, Transmission Output Shaft
30	01265600	1	Belt, Finger
31	06530100	2	Nut, Locking Flange .250-20
32	51110700	2	Kit, Wheel Mount Hub Service
33	06543100	4	Nut, Locking Top Flange .31-18
34	51110500	1	Kit, Transmission Service
35	06216100	4	Bolt, Round Head Square Neck .31-18 x 1.00 Grade 5
36	06220600	1	Bolt, Round Head Square Neck .25-20 x .50 Grade 5
37	01265700	1	Belt, Finger
38	08325200	1	Spring, Tension .051X.60X2.25

# ENGINE, BLADE AND BELT

Model 911110, 111, 112, 113



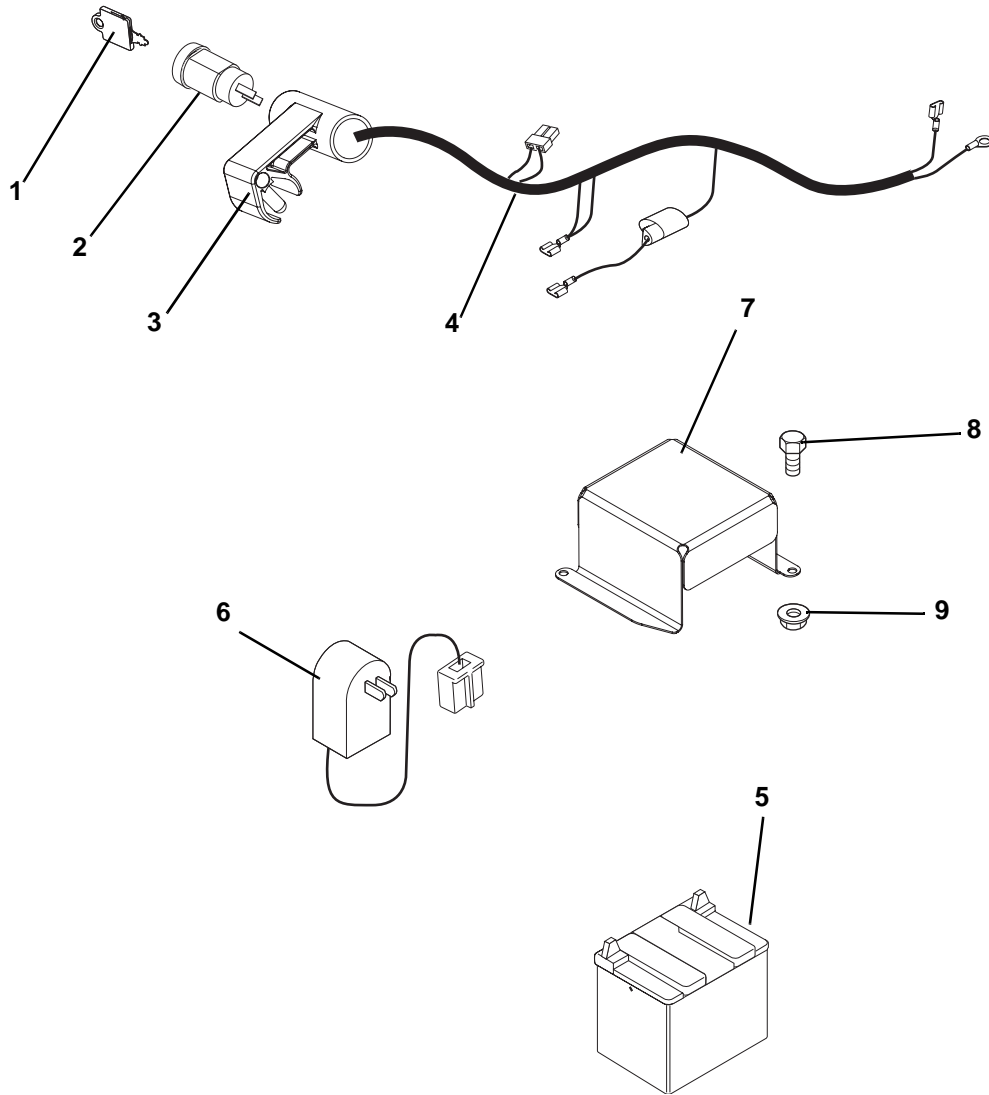
Item	Part No.	Qty.	Description
1	08268700	1	Engine, Briggs and Stratton Quantum 6.5 hp (Briggs Engine Model # - 123K02) (911110, 111)
	08270800	1	Engine, Honda GCV 160 5.5 hp (Honda Engine Model # - GCV160A) (911112)
	08200050	1	Engine, Honda GCV 160 5.5 hp, Electric Start (Honda Engine Model # - GCV160A) (911113)
2	07414100	3	Screw-Tapping .38-16X1.00 Hex Washer Head
3	01268100	1	Ring, Engine Bolt
4	09734700	1	Adapter, Blade Hub (911110, 111, 112)
	09735400	1	Adapter, Blade Hub (911113)
5	01252100	1	21" Mower Blade
6	06441700	1	Washer, Flat Steel .39 x 1.5 x .125
7	06308800	1	Washer, Locking .38 x .094 Regular
8	05900029	1	Bolt, .38-24 x 2.5 Grade 8 (911110, 111, 112)
	0597600	1	Bolt, Hex .38-24 x 2.00 Grade 8 (911113)
9	01192900	1	Washer, Wave .885 x 1.311 x .125 (911110, 111, 112)
	09250700	1	Washer, Wave 1.09 x 1.37 x .016 (911113)
10	09733100	1	Pulley-Sintered Iron LM (911111, 112)
	09735300	1	Pulley, 1" Crank Drive (911113)
11	06600900	1	Key, Woodruff .156 x .625 x .25 (911110, 111, 112)
	06601400	1	Key, Woodruff .188 x .625 x .25 (911113)
12	05500002	1	Spacer, .875 x 1.125 x .551 (911112)
	05535100	1	Spacer, Honda Electric Start Crank (911113)





# ELECTRICAL HARNESS & BATTERY

Model 911113



Item	Part No.	Qty.	Description
1	02460700	1	Key
2	01269400	1	Key, Switch
3	01269200	1	Housing, Switch
4	01268800	1	Harness, Wire
5	01269300	1	Battery
6	01268900	1	Battery, Charger
7	01269151	1	Cover, Battery
8	06200013	2	Bolt, Hex 8-32 x .5
9	06531300	2	Nut-Locking-Nylon 8-32



Ariens Company  
655 West Ryan Street  
P.O. Box 157  
Brillion, WI 54110-0157  
920-756-2141  
Fax 920-756-2407  
[www.ariens.com](http://www.ariens.com)