

# Ariens®

## EZRider™

### Owner/Operator Manual



**MODELS**

008 - 1540

009 - 1648

010 - 1540

# Ariens®

## Thank You

*Ariens outdoor power equipment is engineered to be the best from start to finish. We have one fundamental belief: Value is not measured solely by price; value is a durable, easy-to-use machine that performs season after season.*

*This manual and the engine manual are your guides. By following the instructions and procedures in them, your Ariens equipment will serve you well for many years. The care you give this unit will determine your overall satisfaction and its service life.*

*Safety is up to you. Obey all correct operating practices and procedures for this unit. Prevent serious injury or death.*

*Three reasons safety is important:*

- 1. Accidents can disable and kill.*
- 2. Accidents can be avoided.*
- 3. Accidents always cost.*

*Ariens proudly offers one of the finest warranties in the business. Contact your Ariens Dealer with any questions, comments or orders. Ariens equipment for the world is made in the USA.*



**Crafted in  
America  
Since 1933**

## YOUR SATISFACTION IS IMPORTANT

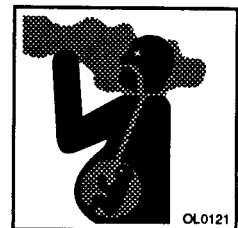
Questions? Please follow these helpful steps:

### 1. Always Refer to Your Owner/Operator or Engine Manual First.

- Its detail will guide you through safe and proper operation and maintenance.
- It contains specifications on your model.
- If your questions are not answered in these manuals, go to step number two.

### 2. Contact Your Ariens Dealer.

- Our dealers will be happy to supply any service or advice required to keep your unit operating at peak efficiency.
- A factory trained staff is available to support your equipment needs. They stock genuine Ariens parts and lubricants manufactured with the same precision and skill as the original.
- If your questions are not resolved by the support staff, ask for the manager or owner.
- When contacting your Ariens Dealer supply your model and serial numbers.



## ⚠️ WARNING

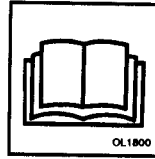
The engine exhaust from this product contains chemicals known to the State of California to cause cancer, birth defects or other reproductive harm.

# A TABLE OF CONTENTS

## MODELS

- Model 915008**  
1540, 15 HP Briggs & Stratton, 40" Deck
- Model 915009**  
1648, 16 HP Briggs & Stratton, 48" Deck
- Model 915010**  
1540, 15 HP Kohler, 40" Deck

## SECTION 1: INTRODUCTION



The Manual .....	1
Service and Replacement Parts .....	1
Product Registration .....	1
Disclaimer .....	1

## SECTION 2: SAFETY



Safety Alert Symbol .....	2
Signal Words .....	2
Practices and Laws .....	2
Required Operator Training .....	2
Safety Decals and Locations .....	3
Safety Precautions .....	4

## SECTION 3: OPERATION



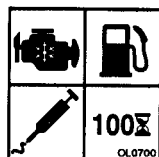
Controls and Features .....	8
Pre-Start .....	11
Starting and Shut-Off .....	12
Operation .....	12
Mowing .....	12
Parking .....	13
Mowing Tips .....	13

## SECTION 4: GENERAL MAINTENANCE



Service Position .....	14
Fuel Tank .....	14
Hardware .....	14
Engine .....	15
Engine Cooling .....	15
Engine Oil .....	15
Belts .....	15
Lubrication .....	16
Tire Pressure .....	17
Hydraulics and Transaxles .....	17
Sharpening Mower Blades .....	17
Battery .....	17
Adjustments .....	19
Transport .....	21
Cleaning and Storage .....	21

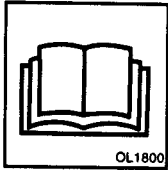
## SECTION 5: SPECIFICATIONS



Models .....	22
Engine .....	22
Tires .....	22
Hydrostatic System .....	22
Dimensions .....	22
Weight .....	22
Waranty .....	Inside Back Cover

© Copyright 1998 Ariens Company  
All rights reserved. No part of this publication may be reproduced, transmitted,  
transcribed, stored in a retrieval system, or translated into any language in any form by  
any means without the written permission of Ariens Company

## Introduction



### THE MANUAL

Before you operate your unit, carefully and completely read manuals supplied with the unit. The contents will provide you with an understanding

of safety instructions and controls during normal operation and maintenance. Graphics are provided to help you understand the text.

All reference to left, right, front or rear are given from the operator sitting in the operation position and facing the front of the unit.



### SERVICE AND REPLACEMENT PARTS

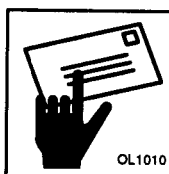
When ordering replacement parts or making service inquiries, know the Model and Serial Numbers of your unit and attachment. Numbers are located on the product registration card in the attachment literature package. They are printed on a Serial Number Label, located on the frame of the attachment (Figure 1).

Transfer Model & Serial Number Label from product registration here.

Record numbers on this page for convenience and quick reference.

#### Unit Model and Serial Numbers:

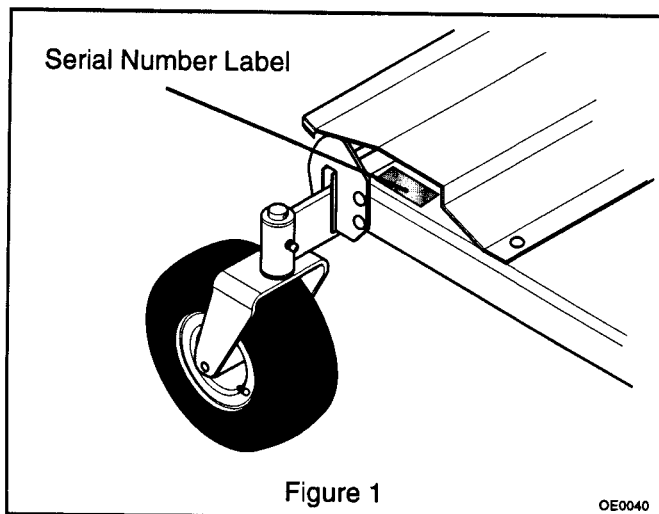
#### Attachment Model and Serial Numbers:



### PRODUCT REGISTRATION

A warranty registration card must be filled out by the Ariens dealer, signed, and returned at sale. This card activates the warranty. The

replacement of any part on this unit with anything other than a Ariens authorized replacement part may adversely affect the performance, durability, or safety of this unit and may void the warranty. Claims meeting requirements during limited warranty period will be honored. To guarantee full warranty service, make sure your registration card has been returned to Ariens.



### DISCLAIMER

Ariens Company is hereinafter referred to as Ariens. Ariens reserves the right to discontinue, make changes to, and add improvements upon its products at any time without public notice or obligation. Ariens disclaims liability for any claims or damages, whether regarding property, personal injury or death arising out of the use of unauthorized replacement parts. The descriptions and specifications contained in this manual were in effect at printing. Units described within this manual may not be identified as either standard or optional. Illustrations may not be applicable to your unit.

# Safety

## SAFETY ALERT SYMBOL



This is a Safety Alert Symbol. It means:

- **ATTENTION!**
- **YOUR SAFETY IS INVOLVED!**

When you see this symbol:

- **BECOME ALERT!**
- **OBEY ITS MESSAGE!**

## SIGNAL WORDS

The Safety Alert Symbol is used with the Signal Words **DANGER**, **WARNING**, and **CAUTION** to alert you to safety messages.

They are used in Safety Decals on the unit and with proper operation procedures in this manual. They alert you to the existence of and relative degree of hazards.

Understand the safety message. It contains important information about personal safety. For your safety and the safety of others **ALWAYS** read, understand, and follow all **▲DANGER**, **▲WARNING**, and **▲CAUTION** messages.

**▲ DANGER**

**IMMINENTLY HAZARDOUS SITUATION** which, if not avoided, will result in death or serious injury.

**▲ WARNING**

**POTENTIALLY HAZARDOUS SITUATION** which, if not avoided, could result in death or serious injury.

**▲ CAUTION**

**POTENTIALLY HAZARDOUS SITUATION** which, if not avoided, may result in minor or moderate injury. It may also be used to alert against unsafe practices.

## Notations

**NOTE:** General reference information for proper operation and maintenance practices.

**IMPORTANT:** Specific procedures or information required to prevent damage to unit or attachment.

**▲ WARNING**

**IMPROPER OPERATION** of this unit can result in death or serious injury. Before starting engine, follow these three steps:

1. Read and understand this manual and all safety decals on unit or attachment.
2. Keep children and people away when operating unit.
3. Always clear area before operation of unit.

## PRACTICES AND LAWS

Practice usual and customary safe working precautions, for the benefit of yourself and others. Understand and follow all safety messages. Be alert to unsafe conditions and the possibility of minor, moderate or serious injury or death.

Information in this manual does not replace any safety rules or laws in your area. Before operating this unit, learn all applicable rules and laws in your area.

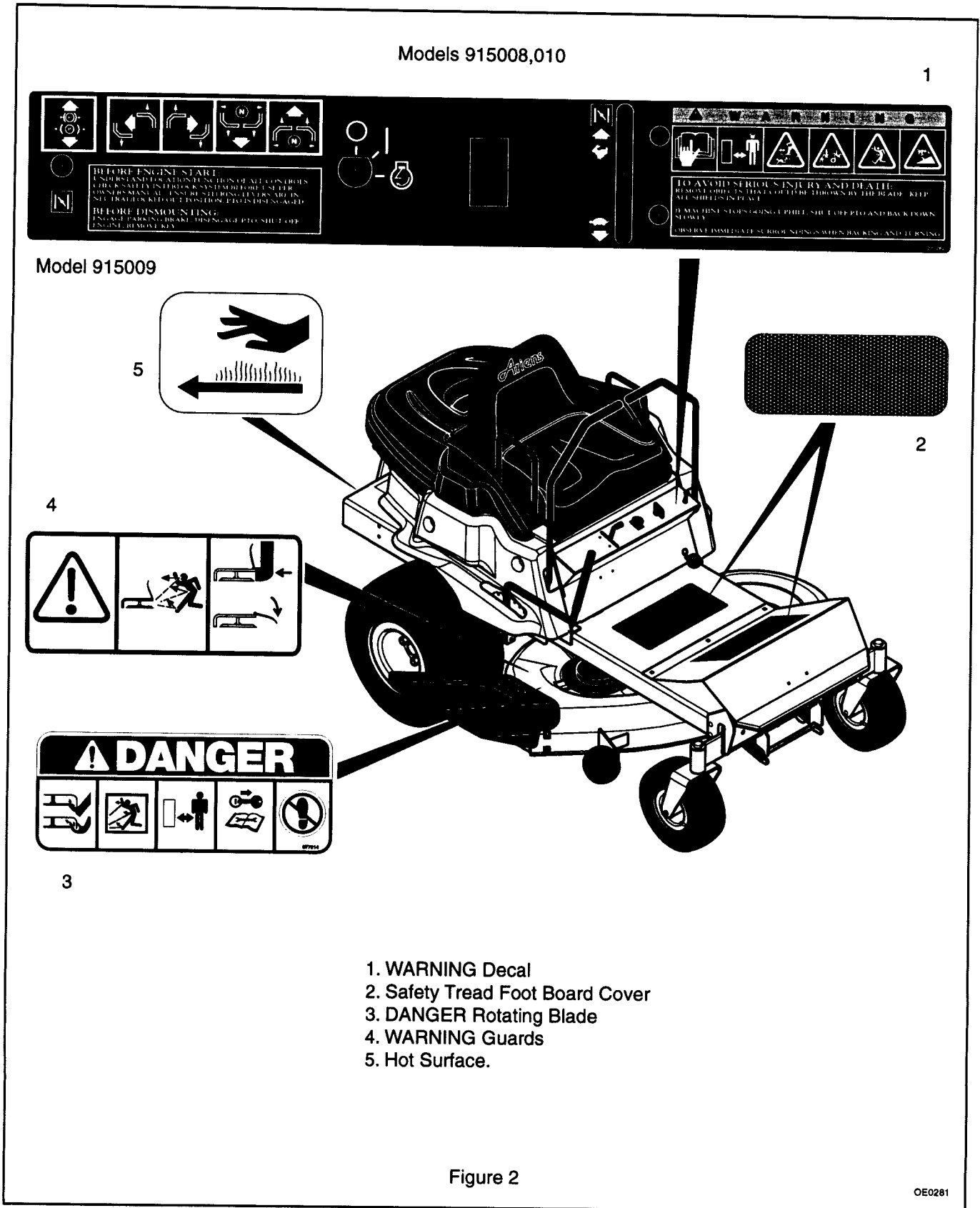
## REQUIRED OPERATING TRAINING

Original purchaser of unit was instructed by seller on safe and proper operation and use. If this unit is to be used by someone other than original purchaser such as loaned, rented or sold, **ALWAYS** provide this manual and any needed safety training before operation.

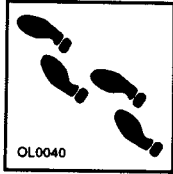
# SAFETY DECALS AND LOCATIONS

ALWAYS replace missing or damaged Safety Decals.

Refer to Figure 2 for Safety Decal Locations.



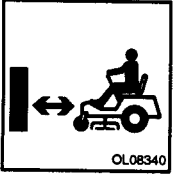
## UNIT SAFETY



### Walk Around Inspection

Complete a walk around inspection of unit and work area to understand:

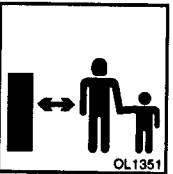
- Work area
- Your unit
- All safety decals



### Clearances

ALWAYS check overhead and side clearances carefully before operation.

ALWAYS be aware of traffic when operating along streets or curbs.



### Work Area

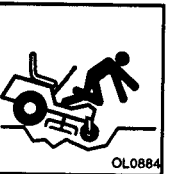
Keep children and people away.

Keep children out of work area and under watchful care of a responsible adult.



### Clear Work Area

Keep area of operation clear of all toys, pets, and debris. Thrown objects can cause injury.



### Avoid Falls

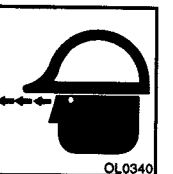
Check for weak spots on dock, ramps or floors. Avoid uneven work areas and rough terrain.



### Slippery Surfaces

Avoid slippery surfaces. ALWAYS be sure of your footing.

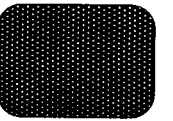
DO NOT operate on wet grass to avoid sliding.



### Visual Obstruction

Dust, smoke, fog, etc. can reduce vision and cause an accident.

Operate unit only when there is good visibility and light.



### Safety Surfaces

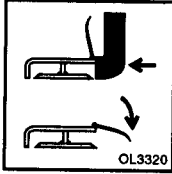
Keep all nonskid surfaces clean. Replace safety treads if worn, damaged, or missing.



### Safety Guards and Devices

ALWAYS keep protective structures, guards, and panels in good repair, in place and securely fastened.

NEVER modify or remove safety devices.



### Discharge Covers

ALWAYS keep discharge cover or complete grass catcher in place and in proper working condition.



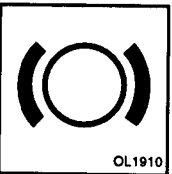
### Safety Interlock System

Safety Interlock System must function properly. DO NOT operate unit if operator presence control is damaged or disabled.



### Modification

NEVER modify, alter, or permit anyone to modify or alter the unit or its components.



### Brakes

Check brake operation frequently. Adjust and service as required.

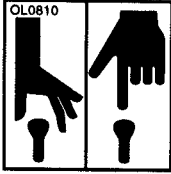


### No Step

DO NOT step on rotary mower deck.



# OPERATIONAL SAFETY



## Rules of Operation

Understand:

- How to operate all controls
- The functions of all controls
- How to STOP in an Emergency
- Braking and steering characteristics
- Turning radius and clearance

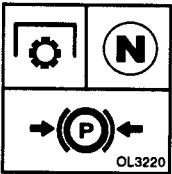


## Child Safety

NEVER allow children to operate, play on or near unit.



Be alert and shut-off unit if children enter area.



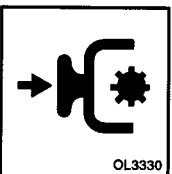
## Pre-Start

Before starting engine: disengage PTO, place unit in neutral, lower attachment, and set parking brake (if applicable).



## Speed Ranges

DO NOT operate at too fast a rate. DO NOT change engine governor settings or over speed engine. Slow down and turn corners slowly.



## PTO Control

Disengage PTO when attachment is not in use. ALWAYS turn off power to attachment when transporting, crossing drives, etc.



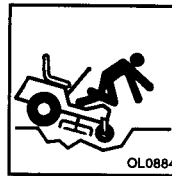
## No Riders

NEVER carry passengers.



## Reverse

DO NOT operate in reverse unless absolutely necessary. ALWAYS backup slowly. ALWAYS look down and behind, before and while backing.



## Avoid Tip over

Avoid uneven and rough terrain. DO NOT operate near drop offs, ditches, or embankments. Unit can suddenly turn over if a wheel is over the edge of a cliff or ditch, or if an edge caves in.



DO NOT try to stabilize unit by putting foot on ground.



## Hazardous Slopes

DO NOT operate on steep slopes.

Operate up and down slopes, not across slopes.

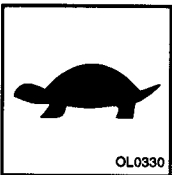


DO NOT operate on side hill slope of more than 10°.



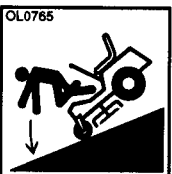
DO NOT operate on a downhill slope of more than 15°.

AVOID starting and stopping on a slope.



Keep all movement on slopes slow and gradual. Use a slow speed to avoid stops or shifts on slopes.

DO NOT make sudden changes in speed or direction.



## Traction

DO NOT turn on slopes unless necessary, and then, turn slowly and gradually down the slope.

If tires lose traction, turn off PTO, and proceed slowly straight down slope.

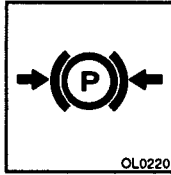


If you cannot back up the slope or feel uneasy, DO NOT mow it.



### Shut-Off

ALWAYS disengage PTO, stop unit and engine, remove key and allow moving parts to stop.



Engage parking brake before leaving operator's position.



### Abnormal Vibrations, Foreign Objects, Clogged Unit

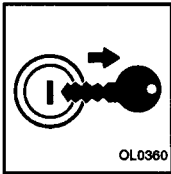
Immediately shut off unit.

INSPECT for any damage or loose parts and repair before restart.



### Parking

NEVER leave a running unit unattended. ALWAYS shut off engine before leaving unit.



ALWAYS remove key to prevent unauthorized use.



### Unit Roll-Away

DO NOT park unit on a slope unless absolutely necessary. When parking on a slope always cock or block the wheels. ALWAYS set parking brake.



## PERSONAL SAFETY

### Responsible Operators

- Only trained adults may operate unit
- Training includes actual operation

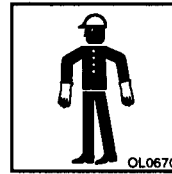


### No Drugs or Alcohol

NEVER operate unit after or during the use of medication, drugs or alcohol. Safe operation requires your complete and unimpaired attention at all times.



NEVER allow anyone to operate this unit when their alertness or coordination is impaired.

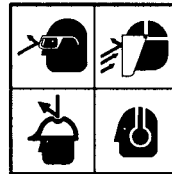


### Safety Gear

Wear adequate safety gear, protective gloves and footwear.



NEVER wear open sandals or canvas shoes during operation.



Protect eyes, face and head from objects that may be thrown from unit. Wear appropriate hearing protection.



### Avoid Sharp Edges

Sharp edges can cut. Movement of parts can cut off fingers or a hand. Wrap blade(s), wear gloves and use extreme caution when servicing.

**IMPORTANT:** On multi-blade mowers, rotation of one blade will cause all blades to rotate.



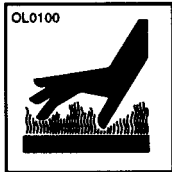
### Avoid Rotating Parts

ALWAYS keep hands and feet away from all rotating parts during operation. Rotating parts can cut off body parts



### Avoid Pinch Points

ALWAYS keep hands away from all pinch points.



### Avoid Hot Surfaces

DO NOT touch unit parts which might be hot from operation. Allow parts to cool before attempting to maintain, adjust or service.

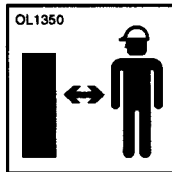


### Avoid Entanglement

NEVER place your hands or any part of your body or clothing inside or near any moving part while unit is running.



DO NOT wear loose clothing or jewelry and tie back hair that may get caught in rotating parts.



### Safe Distances

Keep children and people away from unit during operation.



### Avoid Thrown Objects

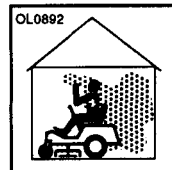
Deflected materials can cause injury and property damage. DO NOT point discharge at anyone or discharge directly onto paved or gravel surfaces.

Always stand clear of the discharge area when operating this unit.



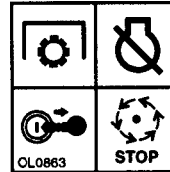
### Avoid Exhaust Fumes

Fumes from engine exhaust can cause injury or death.



### Ventilation

DO NOT run engine in an enclosed area. Always provide good ventilation and wait until hazard has been removed.



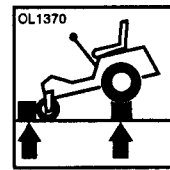
## MAINTENANCE AND SERVICE SAFETY

### Prepare Unit

Before making any inspections, repairs, etc.: disengage PTO, stop unit and engine, remove key, allow moving parts to stop.



Allow hot parts to cool.



### Service Position

ALWAYS block wheels and know all jack stands are strong and secure and will hold weight of unit during maintenance.



### Explosive Fuel

Fuel is highly flammable and its vapors are explosive. Handle with care. Use an approved fuel container.



No smoking, No sparks, No flames. ALWAYS allow engine to cool before servicing.

NEVER fill fuel tank when engine is running or hot from operation.

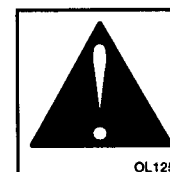
NEVER fill or drain fuel tank indoors.

Replace fuel cap securely and clean up spilled fuel.



### Replacement Parts

ALWAYS maintain unit in safe operating condition. Damaged or worn out muffler can cause fire or explosion.



### Hardware

Keep hardware, especially blade attachment bolts, tight.



### Battery

Avoid Electric Shock. DO NOT reverse battery connections.

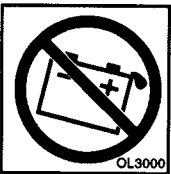


### Explosive Gases!

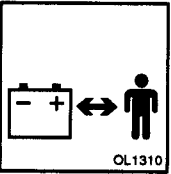
Poisonous battery fluid contains sulfuric acid and its contact with skin, eyes, or clothing can cause severe burns.



No flames, No sparks, No smoking near battery. ALWAYS wear safety glasses and protective gear near battery.



DO NOT TIP battery beyond a 45° angle in any direction.



ALWAYS keep batteries out of reach of children.



### Hydraulics

HYDRAULIC FLUID WILL CAUSE SEVERE BURNS. Fluid in the hydraulic system can penetrate the skin and cause death or serious injury.



### Cleaning

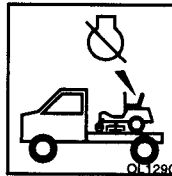
Keep unit free of grass, leaves, or other debris. Clean up oil or fuel spills.



### Storage

For unit storage or extended storage:

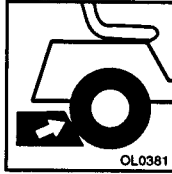
- NEVER store with fuel in fuel tank, inside a building where any ignition sources are present
- Allow engine to cool completely



### Transport

NEVER push or pull (tow) unit with another vehicle. Transmission damage will occur.

Use extra care when loading or unloading unit onto trailer or truck.



Block wheels and secure unit chassis to transport vehicle. NEVER secure from rods or linkages that could be damaged.

DO NOT transport machine while engine is running.

## ATTACHMENTS AND ACCESSORIES

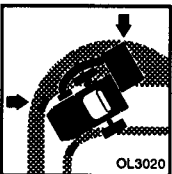
Use only attachments or accessories designed for your unit.

Check attachment components frequently. If worn or damaged, replace with manufacturer's recommended parts.



### Avoid Tipover

Use extra care with grass catchers and other attachments. These can change the stability of the unit. Use only approved hitch points.



### Clearances

ALWAYS be aware of attachments when turning. ALWAYS allow adequate clearance between attachments, personnel, and other objects.



DO NOT transport with attachment in the lowered (operating) position

ALWAYS lower attachment when unit is parked or stored.



### Load Capacity

Know the weight of loads. Limit loads to those you can safely control and the unit can safely handle.

## Operation

### CONTROLS AND FEATURES

See Figure 3 for Controls and Features locations.

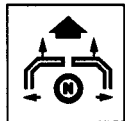
#### Travel-Steering Control Levers

The Travel-Steering Control Levers are used to start, stop, steer and control the travel direction of the unit.



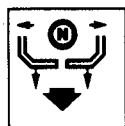
#### Neutral Lock

To start, lock unit in neutral by pushing both Travel-Steering Control Levers outward –to each side– from centered (neutral) position (Figure 4).



#### Straight Forward

Push the Travel-Steering Control Levers SLOWLY forward the same distance from the centered (neutral) position. The further you move the levers, the faster the unit will travel forward. (Travel-Steering Control Levers have quick response timing.)

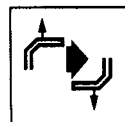


#### Straight Backwards (Reverse)

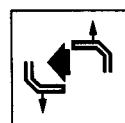
Pull the Travel-Steering Control Levers back the same distance from the centered (neutral) position. The further you move the levers, the faster the unit will travel in reverse.

#### Turns

Move one Travel-Steering Control Lever forward and the other backward. Pushing the lever forward from the centered position moves the unit forward on that side; pulling the lever back from the centered position moves the unit backward on that side.



1. Left Lever further forward than Right Lever: turns unit to the right.



2. Right Lever further forward than Left Lever: turns unit to the left.

#### Throttle Lever

(Also Choke Lever on 1540 models)

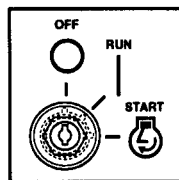
The Throttle Lever is used to change the speed of the engine.



Moving the lever to the "FAST" position increases the engine speed.

Moving the lever to the "SLOW" position decreases engine speed.

#### Ignition Switch



The Ignition Switch is operated with a removable key. The switch may be turned clockwise from the "OFF" position to the "START" position then the key will spring back to the "RUN" position.

**"OFF" Position:** Ignition system is shut down.

**"RUN" Position:** All controls are operable.

**"START" Position:** Starter turns over the engine.

To start the engine the key must be in the "START" position. To stop the engine, turn the key to the "OFF" position.

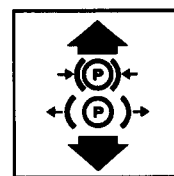


#### Choke Control

**1648 Models:** The engine is choked by pulling Choke control out to "CHOKE" position.

**1540 Models:** The engine is choked by moving the Throttle Lever to the "CHOKE" position.

#### Parking Brake

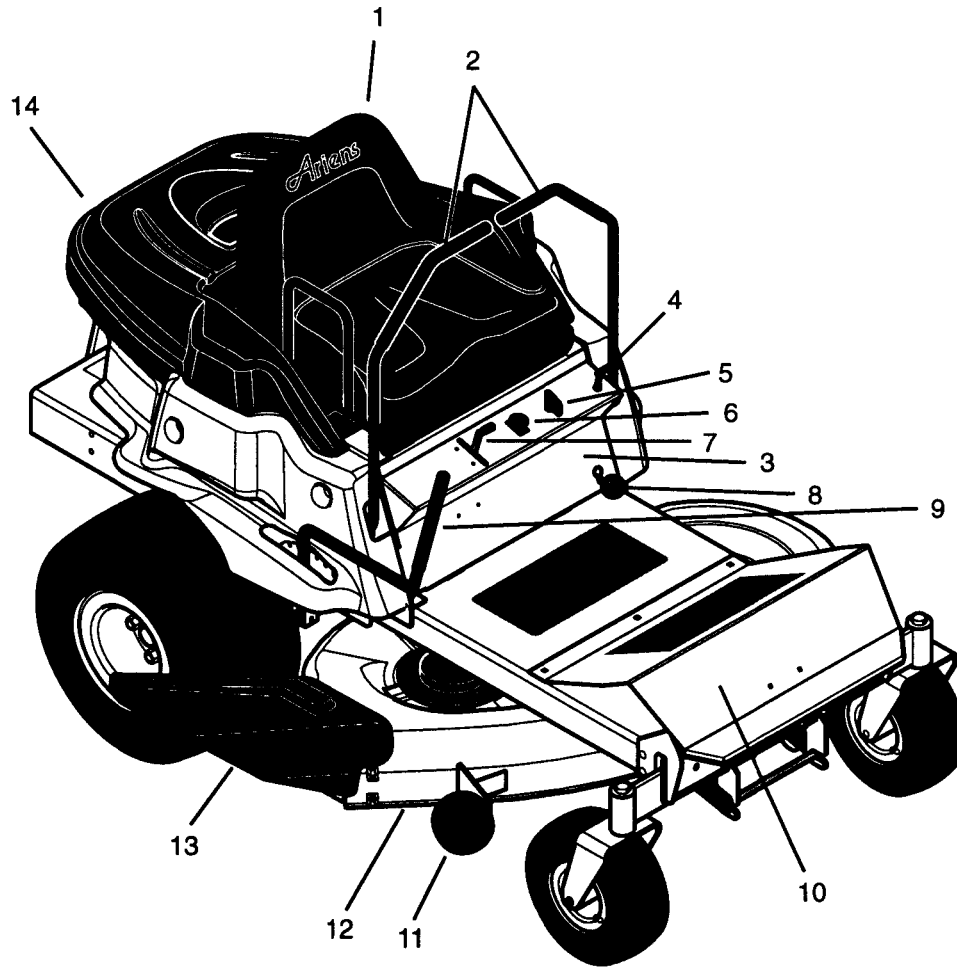


To engage the Parking Brake, lift up on knob and pull forward until it stops.

To disengage Parking Brake, lift up on knob and push backward until it stops.

If one or both of the rear wheels do not turn easily, check brake to assure it is disengaged.

**NOTE:** Engine will shut off if control levers are taken out of neutral with brake engaged.



- |  |                                     |
|--|-------------------------------------|
| 1. Operator's Seat                                     | 8. Parking Brake Knob               |
| 2. Travel-Steering Control Levers                      | 9. Mower Deck Attachment Lift Lever |
| 3. Battery Compartment                                 | 10. Foot Rest                       |
| 4. Choke Control (1648 Models)                         | 11. Anti-Scalp Rollers              |
| 5. Ignition Switch                                     | 12. Mower Deck Attachment           |
| 6. PTO Switch  | 13. Discharge Chute                 |
| 7. Throttle Lever (also Choke Control for 1540 Models) | 14. Engine Shroud Cover             |

Figure 3

OE0102

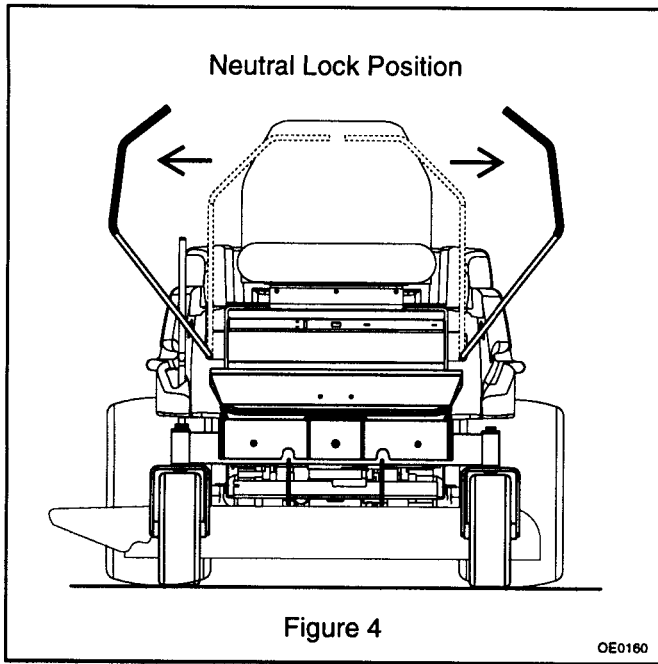
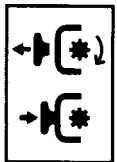


Figure 4

OE0160

### Power Take Off (PTO) Switch

The Power Take Off Switch is used to engage and disengage the attachment.



When the PTO Switch is pulled out, it is in the "ON" position and the attachment is engaged.

When the PTO Switch is pushed in, it is in the "OFF" position and the attachment is disengaged.

### Attachment Lift Lever



To raise the attachment, move the lever to the right to unlock it and pull up on lever.

To lower the attachment, move the lever to the right to unlock it and push lever down.

Maximum cutting height is 5"; lowest cutting height is 1.38". Intermediate positions allow selection of cutting heights between these values.

### Safety Interlock System

The engine must shut off if the operator leaves the seat while the Travel-Speed Control Levers are in any position other than the "NEUTRAL LOCK" position and the PTO Switch is in the "ON" position.

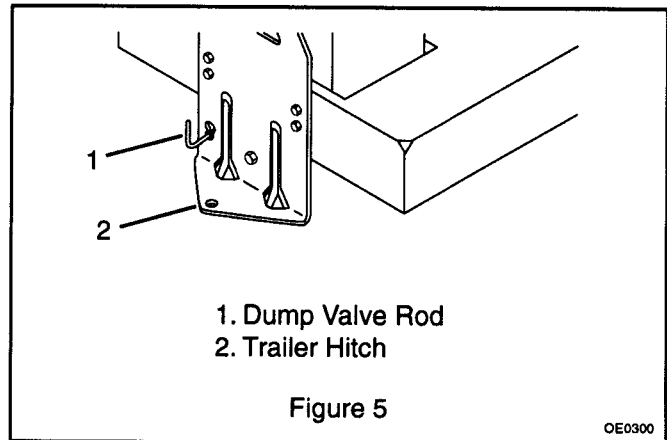
### Transmission Dump Valves

Closing the Dump Valves allows the unit to be pushed by hand. Dump Valves must be open to drive unit.

**IMPORTANT:** NEVER push or pull (tow) the unit with another vehicle. Use a truck or trailer when transporting or transmission damage can occur.

To Open the Dump Valves: Lift up on the Dump Valve Rod and pull rearward until the expanded section of the rod comes through the hole in the trailer hitch. Push the rod back down to lock it into position (Figure 5).

To Close the Dump Valves: Lift up on the Dump Valve Rod and push it back forward.



- 1. Dump Valve Rod
- 2. Trailer Hitch

Figure 5

OE0300

## PRE-START

### Check Tires

Before each use, make a visual check of tires.

### Check Engine Oil

Check that the engine oil is at proper level using dipstick. Fill or change per instructions in General Maintenance.

### Check Seat Adjustment

Be sure all controls can be reached safely from operator's position. If seat needs adjustment, refer to Adjustments.

### Test Operation of All Controls

**CAUTION**

Check function of all controls before starting engine. All safety devices and guards must be in position and operating properly or injury may result.

## STARTING AND SHUT-OFF

See Figure 3 for Controls and Features Locations.

### Starting

1. The operator must be seated.
2. Travel-Steering Control levers must be in the "NEUTRAL LOCK" position (Figure 4).
3. The PTO Switch must be in the "OFF" position.
4. If the engine is cold, apply choke. See Engine Manual for detailed instructions.
5. Set Throttle to proper starting position (see Engine Manual).
6. Turn the ignition switch key clockwise to the "START" position. Release the key when the engine starts.
7. As soon as the engine starts, adjust choke as needed. Wait until the engine is running smoothly before operating the unit.

### Shut-Off

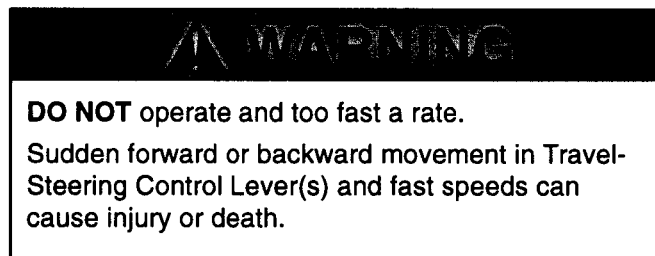
1. With both Travel-Steering Control Levers pulled back to centered (neutral) position, bring unit to a complete stop on level ground.
2. Put PTO in the "OFF" position.
3. Move the Throttle Lever to "SLOW".
4. Turn the Ignition Key to "OFF".
5. Engage the Parking Brake.

## OPERATION

See Figure 3 for Controls and Features Locations.

**NOTE:** This unit is equipped with an internal combustion engine. **DO NOT** use equipment on or near any unimproved, forest-covered or brush-covered land unless exhaust system is equipped with a spark arrestor meeting applicable local, state or federal laws. A spark arrestor, if it is used, must be maintained in effective working order by operator.

### Speed



Move one or both Travel-Steering Control Lever(s) forward and backward **SLOWLY** until you learn how to operate the unit properly. The further you move the levers, the faster the unit will travel.

**NOTE:** This unit is designed to be highly maneuverable and responds quickly to movement of the Travel-Steering Control Levers. Practice operation of the controls in a flat open area until you are comfortable with their operation. **ALWAYS** start and backup slowly and make turns with caution.

## MOWING

To mow with the unit:

1. Adjust deck to desired height.
2. Move Throttle Lever to about half speed.
3. Pull the PTO Switch to the "ON" position to engage the mower.
4. Move the Throttle Lever forward to full engine speed.
5. Move Travel-Steering Control Levers forward to mow.

**IMPORTANT:** NEVER engage the PTO if the mower is plugged with grass or other material. This may cause damage to the PTO Belt.



## PARKING

### ⚠ WARNING

MACHINE ROLL AWAY can cause injury or death. ALWAYS engage Parking Brake when leaving unit unattended.

Stop engine and remove key before cleaning or servicing unit.

To park, stop the unit and engage the Parking Brake. Always take all possible precautions when leaving unit unattended.

## MOWING TIPS

The following tips will help you to mow safely, achieve maximum performance from your unit and maintain the desired appearance of your lawn.

**NOTE:** Clean mower pan after each use. DO NOT allow grass clumps or a coating of grass and debris to collect inside of mower pan. Avoid operation over bare ground intermittent with grass cutting as this causes dirt and grass to collect and cake under pan surface.

Grass should be cut when it is dry, not when it is wet from dew, rain or watering. Wet grass tends to pack inside mower pan and will not discharge, mulch or bag properly, especially if height of cut is set too low.

Keep mower blades sharp. Dull blades will tear grass and a white cast will result over a freshly cut lawn. The tips of the grass blades will then turn brown.

A new lawn has soft blades of grass and a high moisture content. It is important to cut a new lawn with sharp blades.

Proper leveling and pitch of the rotary mower pan is needed for a smooth even lawn. If the pitch of the mower pan is reversed or inadequate, grass will be cut twice, resulting in frayed grass ends. Too much pitch will cause an uneven cut.

Upon first use of mower, cut the grass at a longer length than usual. This will prevent scalping due to the irregularities in the lawn.

To insure the most complete and even cut, overlap each swath.

Plan your cutting so that you always trim with the left side of the mower pan.

Following the same pattern each time you mow the lawn can develop ridges. Change direction in mowing pattern (when possible) to prevent ridges.

Generally, grass should be cut at about 1-1/2" long in the spring and not less than 2" long in the hot summer weather.

Lower unit speed at turns to prevent scuffing.

If grass is high, or if it contains a high degree of moisture, cut it first with the mower pan set high. Cut the grass a second time, with the mower pan set lower, for a better distribution of clippings and a cleaner cut.

For thick, lush or heavy growth lawns do not set the cutting height too low. Grass cut too short may die.

When the mower pan is set too low, the mower pan will drag on the grass and restrict air flow, causing a reduction in the discharge of grass clippings.

Discharge grass clippings away from borderline objects (sidewalks, driveways, fences) when cutting grass. Discharge grass clippings over cut grass when not cutting borderlines. This will prevent buildup of grass clippings on uncut areas.

Adjust Anti-Scalp Rollers properly for smooth appearance in cut (see Adjustments).

Mow with engine set a full throttle to maintain proper blade speed and air flow for discharge of clippings.

**NOTE:** Grass catcher components are subject to wear, damage and deterioration which could expose moving parts or allow objects to be thrown. Frequently check components and replace with manufacturer's recommended parts when necessary.

## General Maintenance

Ariens Dealers will provide any service which may be required to keep your unit operating at peak efficiency. Should engine service be required, it can be obtained from an Ariens Dealer or an authorized engine manufacturer's service center.

### WARNING

**ALWAYS** turn PTO Switch "OFF", place Travel-Steering Control Levers in "NEUTRAL LOCK" position, set Parking Brake, turn ignition switch "OFF", wait for moving parts to stop, and remove wire from spark plug before any maintenance or adjustment.

### SERVICE POSITION

Place the unit on a flat, level surface. **ALWAYS** stop engine and disengage PTO. Assure unit is secure and will not tip over. Strap and clamp onto lift if used.

### CAUTION

Remove enough fuel so that no spillage will occur. **DO NOT** touch engine or drive parts which are hot from operation. Allow such parts to cool before servicing.

### FUEL TANK

### WARNING

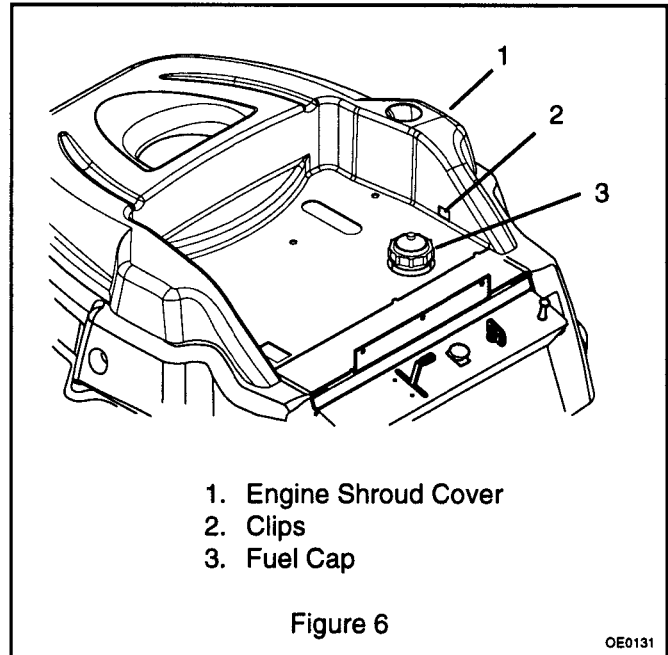
Fuel is highly flammable and its vapors are explosive. Handle with care.  
**NO** smoking, **NO** sparks, **NO** flames.

Add fuel to the fuel tank as needed. See the Engine Manual for the correct type and grade of fuel.

To add fuel to the fuel tank:

1. **ALWAYS** place unit in open or well ventilated area.
2. Stop engine and allow to cool for 2 minutes.

3. Tilt seat forward.
4. Clean the fuel cap and the area around the fuel cap to prevent dirt from entering the fuel tank (Figure 6).



5. Remove the cap from the fuel tank.
6. Fill the fuel tank. Use care; do not spill fuel.
7. Replace the cap on the fuel tank and tighten.
8. **ALWAYS** clean up any spilled fuel before starting engine.
9. Lower Seat.

### HARDWARE

Keep all nut, bolts and screws tight and be sure equipment is in safe working condition. Check all hardware at regular intervals.

## ENGINE

Correct maintenance can increase the life of the engine. See Engine Manual for information on the operation and maintenance of the engine.

**IMPORTANT:** DO NOT change engine governor setting or over speed engine.

To access engine:

1. Flip seat forward.
2. Unhook Engine Shroud Cover latch.
3. Push in on clips located under seat and lift Cover up and off unit. Place aside (Figure 6).
4. After engine service is complete, replace and fasten Engine Shroud Cover.

## ENGINE COOLING

Each day before operation, every 12 hours, or more often if conditions require, check the following:

1. Check the level of oil in the engine. NEVER operate the engine when oil level is below the add mark.
2. Check air cleaner element. Dirt can decrease the flow of air to the engine.
3. Check the air cooling system on the engine. Debris can decrease the flow of air to the engine.

**IMPORTANT:** DO NOT operate engine with cooling fins plugged or removed; this will cause overheating and engine damage.

## ENGINE OIL

### Check and Add Engine Oil

The engine crankcase oil should be checked daily or every 5 hours of operation. Oil level MUST be maintained in safe operating range on dipstick at all times or engine damage will result (see Engine Manual).

To Check Engine Crankcase Oil:

1. Park unit on a flat, level surface. Place Travel-Steering Control Levers in neutral and set brake.
2. Stop engine and remove Engine Shroud Cover.
3. Clean debris away from oil cap.
4. Remove oil cap and dipstick. Wipe oil off dipstick with a clean cloth. Replace dipstick until cap bottoms on tube.
5. Remove dipstick again and observe oil level. Oil should be at the Full (F) mark.
6. If low, add oil at oil fill opening and bring oil level up to the Full (F) mark.

**IMPORTANT:** DO NOT over fill. Oil level must not exceed Full (F) mark. Overheating and engine damage will occur. Be sure engine is level when adding oil.

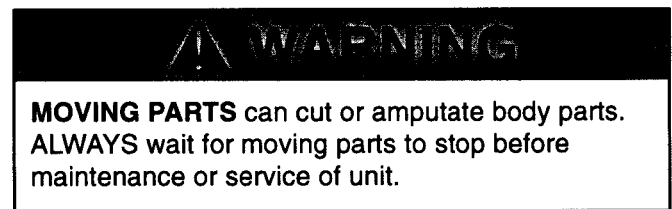
7. Replace oil cap and dipstick.
8. Clean up any spilled oil.

### Change Engine Oil

To drain engine crankcase oil:

1. Open the valve, located on the left side of the engine at the back of the unit. The oil will drain through a tube under the back of the frame.
2. Close valve when drained.

## BELTS



### Mower Drive Belt Replacement

Refer to Figure 7.

1. Disconnect main idler spring from frame.
2. Remove belt from electric clutch and mower pan.
3. Install new belt in reverse order, checking for belt alignment and clearance.
4. Connect main idler spring to frame.

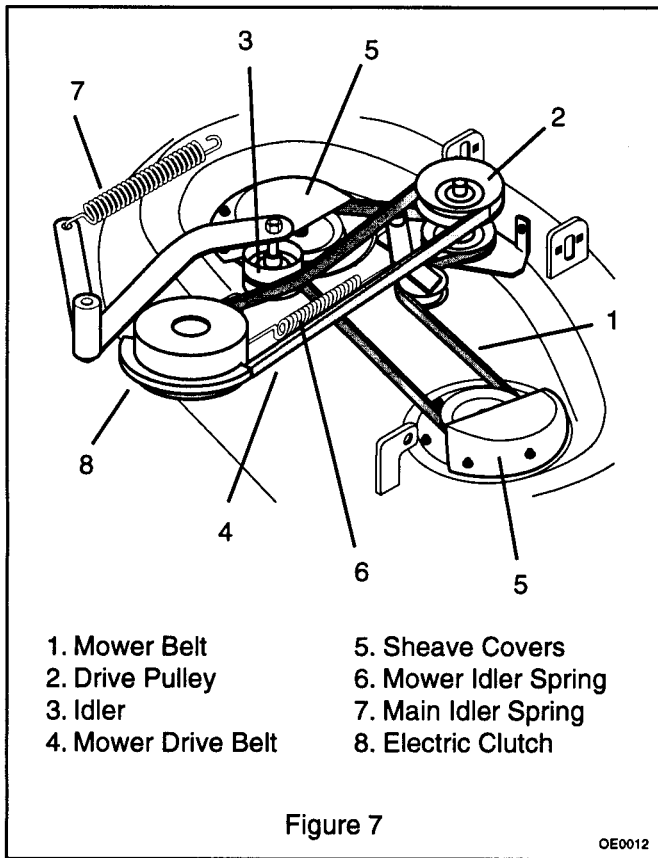
### Rotary Mower Belt Replacement

Refer to Figure 7.

1. Remove mower drive belt.
2. Remove sheave covers.
3. Remove idler spring.
4. Remove belt.
5. Reverse procedure for installation.

### Transaxle Belt Replacement

1. Remove transaxle idler spring from frame.
2. Remove belt from belt from transaxles (Figure 8).
3. Remove belt from engine sheave.
4. Install new belt in reverse order, checking for belt alignment and clearance.
5. Connect transaxle idler spring.



### Clutch Shaft Belt Replacement

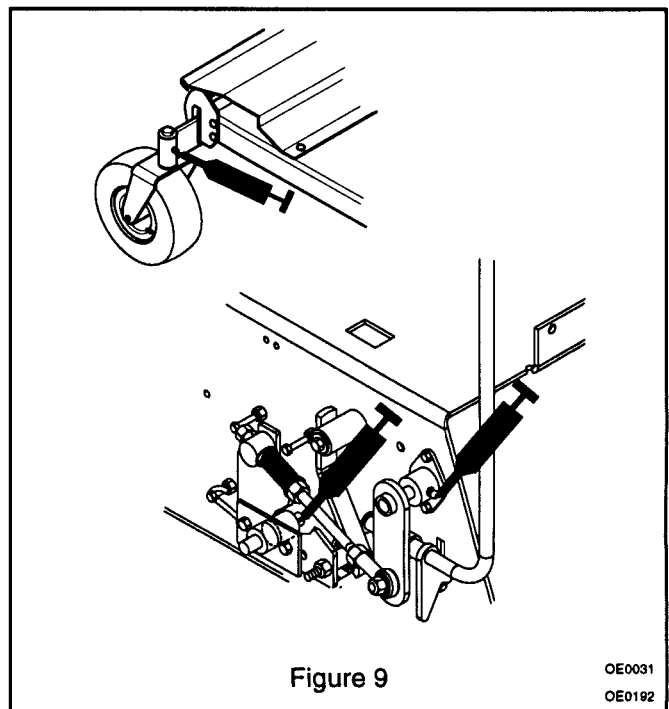
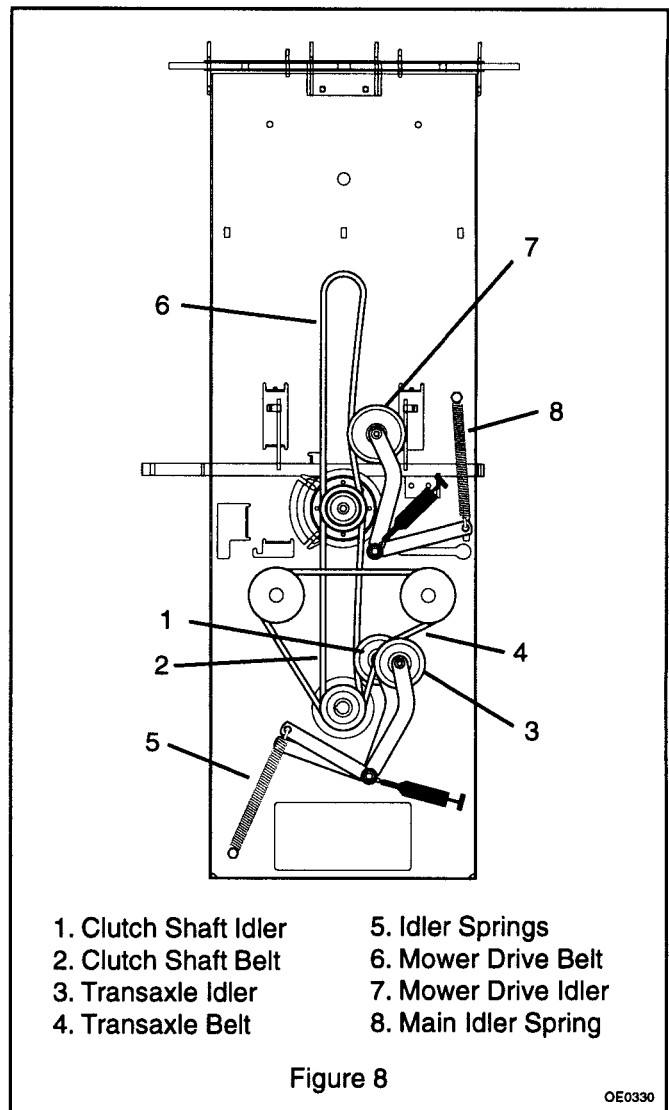
1. Remove transaxle belt (Figure 8).
2. Remove clutch shaft idler spring from frame.
3. Remove belt from engine sheave.
4. Remove belt from clutch sheave.
5. Install new belt in reverse order, checking for belt alignment and clearance.
5. Connect clutch idler spring to frame.
6. Reinstall transaxle belt.

### LUBRICATION

Apply a small amount of oil to the pivot points as required for smooth and proper operation.

Grease the fittings on the front wheel spindles, the idler arms, and the steering controls every 50 hours of operation (Figures 8 and 9).

Apply **USton Mix** Hi-Temp Grease or equivalent to the lube fittings. Order P/N: 00036800 - Three pack of 3 oz. cartridges or 00036700 - Ten pack of 14 oz. cartridges.



## TIRE PRESSURE

Before each use, make a visual check of tires. The correct air pressure is 10-12 psi (65-83 kN/m<sup>2</sup>).

## HYDRAULICS AND TRANSAXLES

### ⚠ WARNING

**HYDRAULIC FLUID WILL CAUSE SEVERE BURNS.** Fluid in the hydraulic system can penetrate the skin and cause serious injury or death.

Keep body and hands away from pin holes or nozzles which expel hydraulic fluid when under pressure. Use paper or cardboard and not hands to search for leaks.

Make sure all hydraulic fluid connections are tight and all hydraulic hoses and lines are in good condition before applying pressure to the system.

Foreign fluid injected into the skin must be surgically removed within a few hours by a doctor familiar with this form of injury or gangrene may result.

### Transaxle Fluid

The transaxle fluid is a lifetime oil which need not be changed over the unit life.

## SHARPENING MOWER BLADES

### ⚠ CAUTION

**MOVING PARTS AND SHARP BLADES** can cut or amputate body parts.

**ALWAYS** use sturdy gloves or padding to protect hands when working with mower blades.

1. Shut off the engine and unit. Remove the ignition key. Remove the ignition wire from the spark plug.
2. Remove the locknuts, flat washers, and blades from the spindle shafts.
3. Sharpen the beveled edges of the blades in a straight line. **DO NOT** change the angle of the beveled edge. If more than 0.5 inch (12.7 mm) are removed from the width of a blade, discard the used blade. Make sure the sharpened blades are balanced. Balance must be held within 1.3 in. oz.
4. Put the blades, washers, and locknuts back on the spindle shafts.
5. Tighten lock nuts to a torque of 60 ft. lbs. (82 Nm).
6. Put the ignition wire back on the spark plug.

## BATTERY

### ⚠ WARNING

**ELECTRIC SHOCK** may result in injury and/or damage to unit.

**DO NOT** allow objects to come into contact with both terminals at the same time.

**REVERSE CONNECTIONS** may result in sparks which can cause serious injury. **ALWAYS** connect positive (+) lead of charger to positive (+) terminal, and negative (-) lead to negative (-) terminal.

**ALWAYS** connect positive (+) cable **FIRST**, and negative (-) cable **SECOND**.

### ⚠ WARNING

**EXPLOSIVE GASES** from battery can cause death or serious injury. **ALWAYS** keep open flames, sparks, or smoking materials away from batteries.

**POISONOUS BATTERY FLUID** contains sulfuric acid and its contact with skin, eyes, or clothing can cause severe chemical burns. **ALWAYS** wear safety glasses and protective gear near battery.

**DO NOT TIP** any battery beyond a 45° angle in any direction.

**ALWAYS KEEP BATTERIES OUT OF REACH** of children.

### Battery Electrolyte First Aid

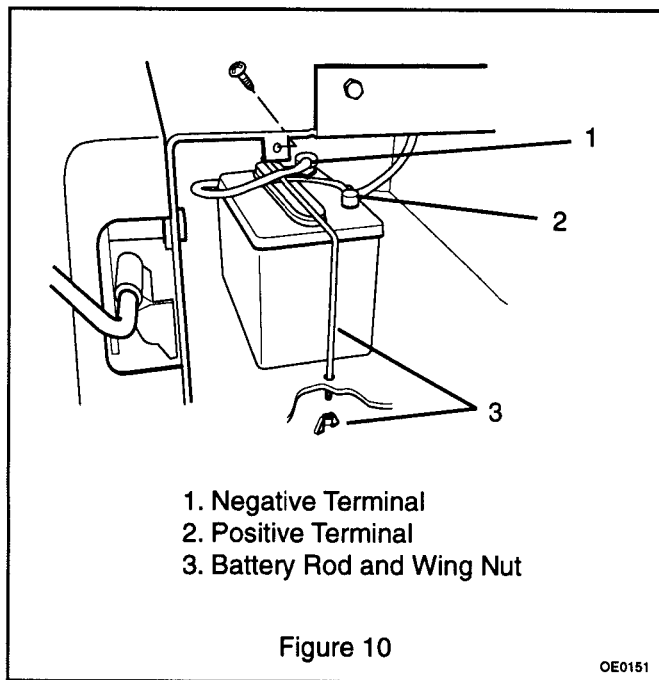
Follow First Aid directions for contact with battery fluid.

- **External Contact:** Flush with water.
- **Eyes:** Flush with water for at least 15 minutes and get medical attention immediately!
- **Internal Contact:** Drink large quantities of water. Follow with Milk of Magnesia, beaten egg or vegetable oil. Get medical attention immediately!

**IMPORTANT:** In case of internal contact, **DO NOT** induce vomiting.

## Battery Removal

Remove battery from unit before servicing (Figure 10).



To remove the battery from the unit:

1. Remove the four screws at the front of the seat support; use a 7/16" wrench.
2. Pull the control panel forward.
3. Remove wing nut from the Battery Rod and remove the rod.
4. Disconnect the negative (-) cable first.
5. Disconnect the positive (+) cable second.
6. Lift the battery out of the unit and place battery on a bench or other well ventilated area where an acid spill will not create damage.

When service is finished, reinstall battery into unit and connect positive (+) cable first, then negative (-) cable.

## Electrolyte Level

Every 25 hours or each week, check the electrolyte level of each cell by removing caps one at a time. The electrolyte level should be at level indicator. Use distilled water to fill each cell if needed.

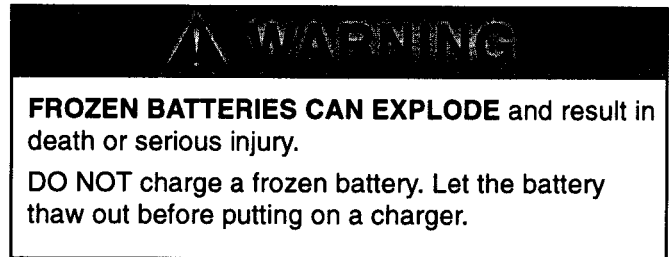
**IMPORTANT:** When distilled water is added to battery during freezing weather, it must be charged to mix water with electrolyte or water will remain at top and freeze.

## Battery Charger

Under normal conditions the engine alternator will have no trouble keeping the battery charged. When unit has not been operated for an extended period of time and the battery has been completely discharged, a battery charger will be required for recharging.

Before using a charger, an attempt can be made to recharge the battery using the engine alternator by jump starting the unit and allowing the engine to run.

## Charging



ALWAYS follow information provided on battery by battery manufacturer. Contact battery manufacturer for extensive instructions to charge battery.

To charge:

1. Remove battery from unit per removal instructions above.
2. Remove caps and fill each cell to level indicated with electrolyte at  $1.230 \pm$  specific gravity and  $80^{\circ} \text{ F}$  ( $27^{\circ} \text{ C}$ ).
3. Let battery stand for one half hour.
4. Check electrolyte level and add more if necessary.
5. Connect positive (+) lead of charger to positive (+) terminal of battery.
6. Connect negative (-) lead of charger to negative (-) terminal of battery.
7. Charge the battery at two and a half amps for ten hours or until all cells are gassing freely and the specific gravity is constant over three 30 minute intervals.
8. Immediately after charging, check electrolyte level. If low, add distilled water to bring cell(s) up to required level.
9. Reinstall battery into unit and connect positive (+) cable first, then negative (-) cable.

## Jump Starting

Jump starting, battery charging or replacement is required when the starter motor will not crank the engine.

To jump start engine:

1. Ensure battery is not frozen. If the fluid is frozen, remove battery from unit and allow it to thaw before charging.
2. The unit used for jump starting should have a 12 volt battery with at least 500 cold cranking amperes and a negatively grounded system.

### WARNING

**UNIT MOVEMENT** can result in death or serious injury. NEVER jump start unit directly to the starter or starter solenoid. Unit can move forward or backward and injure the person jump starting unit.

3. Connect the positive (+) jumper cable to the positive terminal of the discharged battery.
4. Connect the other end of the same jumper cable to the positive (+) terminal of the booster battery.
5. Connect one end of the second jumper cable to the negative (-) terminal of the booster battery.
6. Make the final jumper cable connection to the engine block or the furthest ground point away from the discharged battery.
7. Follow Starting and Shut-Off steps in Operation section.
8. Remove jumper cables in the reverse order of their connection. Remove cable from: the ground point, then the negative (-) terminal of the booster battery, then the positive (+) terminal of the booster battery, and finally the positive (+) terminal of the discharged battery.

## ADJUSTMENTS

Ariens recommends that adjustments be made by the Ariens dealer. Should the decision be made to make the following adjustments on the unit yourself, Ariens recommends calling the dealer for answers to any questions that might arise.

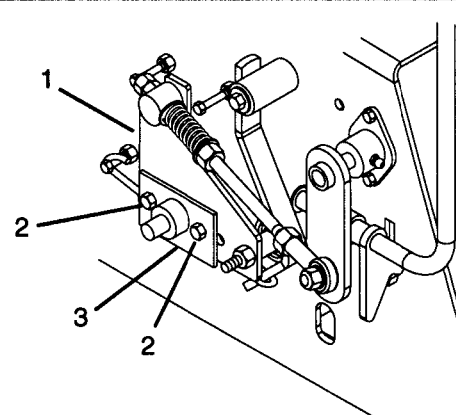
### Neutral Adjustment (Speed Control Lever)

1. Stop the engine. Remove the ignition key. Push the PTO knob in the "OFF" position.

### CAUTION

**PREVENT** personal injury! **ALWAYS KNOW** that jack(s) or blocks used are stable, strong and will support the weight of the unit.

2. Place jack(s) under rear transaxles only. If jack(s) are not available, place support blocks under both transaxles at the rear of unit.
3. Raise the rear drive wheels off the floor. Remove side shrouds. Place aside for replacement.
4. Start the engine and run it at part throttle.
5. Loosen the two lock nuts holding the Speed Control Arm (Figure 11).
6. Turn and loosen the connection to the Speed Control Arm with the Flange Bushing until the wheel stops rotating.
7. Lock the Speed Control Arm in place by tightening the two lock nuts.
8. Repeat procedure for other side of unit .



1. Speed Control Arm
2. Locknuts and Bolts
3. Flange Bushing

Figure 11

OE0082

## Parking Brake Adjustment

There are two knob positions for the Parking Brake.  
"ON" or Engaged – Pull the knob up and forward.  
"OFF" or Disengaged – Pull the knob up and push backward.

To adjust the "ON" position:

1. Pull the Parking Brake knob up in the travel slot until the nut on the rod can pass through the keyway. The knob can now be pulled forward.
2. Turn the nut on the rod threads until the rod can not move backward when it is dropped in the travel slot. The rod will now stay in the "ON" or Engaged position.

## Seat Adjustment

Lift up and tilt seat forward to locate seat adjustment screws on the seat plate. Loosen the two front and two back screws that hold the rear springs. Slide operator seat forward or rearward as desired. Retighten screws as required.

## Mower Level (Side to Side)

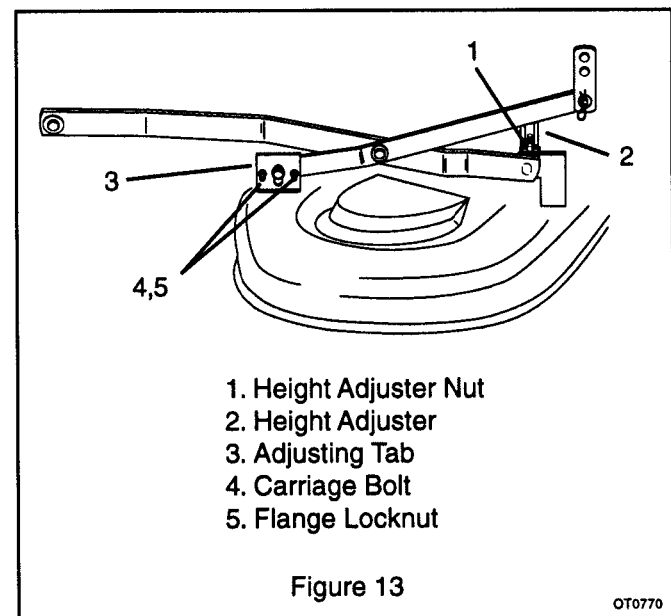
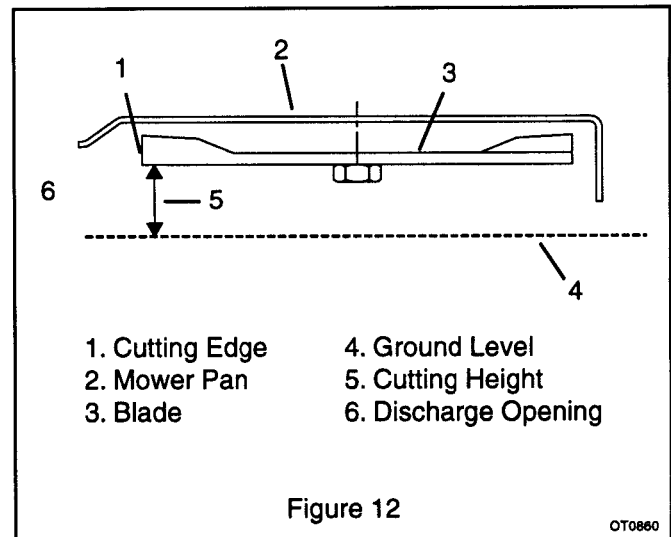
**NOTE:** A wood block (about 1" square by 5" long) may be used under pan for blade measurement. Wrap block with masking tape, mark tape with cutting edge of blade and measure distance from end of block to mark(s). (This method avoids errors by having to read any measurements under pan.)

To Check Side to Side Level:

1. Position unit on a smooth, flat, level surface. Set tire pressure properly.
2. Position blade(s) side to side, measure distance of blade tips to floor at right and left side of mower pan (Figure 12). Rotate blade(s) 180° and check again. The measurement should be equal within 1/8" side to side.

To Adjust Side to Side Level:

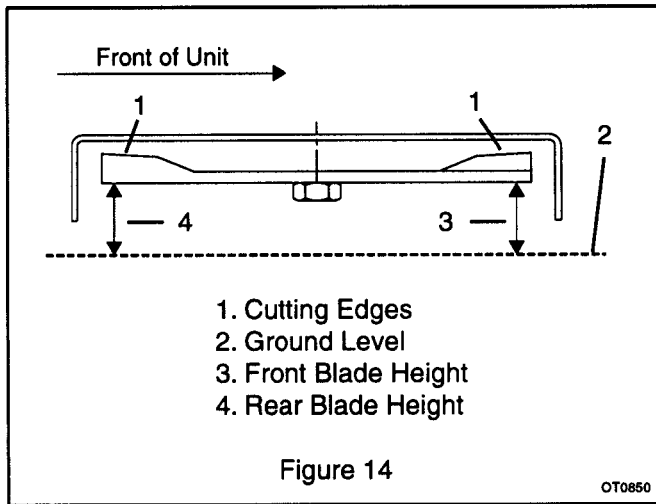
1. Loosen nut on height adjuster (Figure 13).
2. Turn height adjuster nut clockwise on low side of mower pan to raise low side one half the difference in height. Turn height adjuster nut counterclockwise on high side to lower high side the other one half of the height difference.





## Mower Pitch

Proper blade pitch is when the blade tip, measured from the bottom surface, is 1/8" to 1/4" lower at front of mower pan than when same tip is at rear of mower pan (Figure 14).



To Adjust pitch loosen flange lock nuts and slide adjusting tabs up or down to achieve proper pitch (Figure 13).

## Mower Height

Adjusting hanger hooks equally raises or lowers the mower pan and changes cutting height.

To adjust:

1. Loosen upper nuts on hanger hooks and turn lower nuts equally clockwise to lower or counterclockwise to raise rear of rotary mower. With mower attachment lift in highest position, front blade height should measure 5" from ground level.
2. Secure hanger hooks by tightening nuts.

## Mower Belt

The mower belt idler system is designed to provide constant tension on the belt.

## Anti-Scalp Rollers

Secure rollers in top position for average lawn mowing. Use lowest roller position when mowing in higher cutting height or rough terrain to guard against most scalping. Use top roller position when cutting at lowest cutting height.

For a smooth appearance, cut lawn using frame suspended models with anti-scalp rollers. Keep anti-scalp roller adjusted to the minimum 1/2" above flat, hard, smooth surface.

**NOTE:** Rollers are intended for anti-scalping, not for controlling cutting height.

## TRANSPORT

Equipment should be shut off when transporting. To move unit without the engine running, open the Dump Valves (refer to Controls and Features). Close the Dump Valves before operating.

**IMPORTANT:** NEVER push or pull (tow) the unit with another vehicle. Use a truck or trailer when transporting or transmission damage can occur.

## CLEANING AND STORAGE

**IMPORTANT:** NEVER spray unit with water or store unit outdoors to aid in prevention of rust or corrosion. Water can seep into sealed bearings, which are sealed against dirt and debris only, causing reduced component life.

Keep all nuts, bolts and screws tight and be sure equipment is in safe working condition. Check all hardware at regular intervals.

Never store equipment with fuel in tank inside a building where fumes may reach an open flame or spark. Allow engine to cool before storing in any enclosure.

## EZRIDER SPECIFICATIONS

Model	915008	915009	915010
Engine	15 HP Briggs&Stratton	16 HP Briggs&Stratton	15 HP Kohler
Model Number	28P777-0647E1	303777-114281	PS-41531
Type	OHV		
Speed	3250 rpm		
Fuel Tank Capacity	3.5 gals. US (13.3 liters)		
Crankcase Capacity	56 oz. (1.66 liters)	4 pts. (1.9 liters)	64 oz. (1.89 liters)
Fuel Type	See Engine Manual		
Lubricant Type	See Engine Manual		
<b>Tires</b>			
Rear	18 x 8.50-8 4 ply rating		
Front	11.0 x 4.00-5		
Pressure (all tires)	10 to 12 psi (83 to 103 kN/m <sup>2</sup> )		
<b>Hydrostatic System</b>			
Lubricant Type	20W-50		
Speeds @ 3200 rpm			
Forward	0 to 5.7 mph (9.1 km/hr)		
Reverse	0 to 4.1 mph (6.6 km/hr)		
Speeds @ 2900 rpm			
Forward	0 to 5.2 mph (8.4 km/hr)		
Reverse	0 to 3.6 mph (5.8 km/hr)		
<b>Length</b>	71.88 in (182.5 cm)		
<b>Width</b>	52 in (132 cm)	60 in (152.4 cm)	52 in (132 cm)
<b>Height</b>	44.7 in (113.5 cm)		
<b>Weight</b>	588 lbs. (267 kg)	628 lbs. (385kg)	588 lbs. (267 kg)

Q U A L I T Y

Q U A L I T Y

P R O D U C T S

G U A R A N T E E



Ariens Company hereby warrants to the original consumer purchaser that products manufactured by Ariens Company will be free from defects in material and workmanship FOR A PERIOD OF FIVE YEARS FROM THE DATE OF PURCHASE, EXCEPT AS NOTED BELOW

	<p><b>PROTECTION PLAN</b></p> <ul style="list-style-type: none"> <li>The Company will provide for the replacement of any part found upon examination by the Company to be defective. Such repair or replacement will be free of charge to the purchaser (labor and parts) for two years (24 months) from the date of purchase. Ariens manufactured parts (but not labor) will be free of charge for an additional three years (36 months) thereafter.</li> </ul>	
	<p><i>This warranty is subject to the following exceptions and limitations:</i></p> <p><b>PURCHASER RESPONSIBILITIES</b></p> <ul style="list-style-type: none"> <li>Maintenance &amp; minor adjustments per owners manual</li> <li>Notification of need for warranty service</li> <li>Transportation to/from place of warranty repair</li> </ul>	
	<p><b>PRODUCT REGISTRATION</b></p> <ul style="list-style-type: none"> <li>Return of registration card required to validate warranty</li> </ul>	
	<p><b>PURCHASED COMPONENTS &amp; NORMAL WEAR</b></p> <ul style="list-style-type: none"> <li><b>Two year</b> labor and parts on purchased components i.e., (tractor drive train components manufactured by Dana, Eaton, Foote, Sundstrand and any plastic and electrical components, wire harness, bags, boots, tubes, etc.).</li> <li><b>Two year</b> labor and parts on normal wear items i.e., (belts and rubber components, bearings, cables, controls, clutches, tines, etc.).</li> </ul>	
	<p><b>BATTERY WARRANTY PRORATED</b></p> <ul style="list-style-type: none"> <li><b>One to six months - free replacement</b></li> <li>Seven to twelve months - 50% credit</li> <li>Thirteen to twenty-four months - 25% credit</li> </ul>	
	<p><b>WARRANTY - COMMERCIAL PRODUCTS</b></p> <ul style="list-style-type: none"> <li><b>One year</b> parts and labor</li> <li>Product labeled commercial/professional</li> <li>Household use - 5 year limited warranty applies</li> </ul>	
	<p><b>RENTAL USE - ALL PRODUCTS</b></p> <ul style="list-style-type: none"> <li>NINETY DAYS LABOR &amp; PARTS</li> </ul> <p><b>CONSUMER PRODUCT - PUT TO COMMERCIAL, INDUSTRIAL, INSTITUTIONAL USE</b></p> <ul style="list-style-type: none"> <li>NINETY DAYS LABOR &amp; PARTS</li> </ul> <p><b>SERVICE PARTS &amp; ACCESSORIES</b></p> <ul style="list-style-type: none"> <li>NINETY DAYS LABOR &amp; PARTS</li> </ul> <p><b>SERVICE</b></p> <ul style="list-style-type: none"> <li>For warranty service, contact any Ariens Distributor or Dealer. For the name and location of the Ariens Distributor or Dealers in your area, and for further warranty information, write or call Ariens Company.</li> </ul> <p><b>ENGINES, ENGINE ACCESSORIES, &amp; PEERLESS PRODUCTS</b></p> <ul style="list-style-type: none"> <li>Covered only by manufacturer's warranty</li> </ul> <p><b>EXCLUSIONS</b></p> <ul style="list-style-type: none"> <li>No warranty is extended to blades, mower vanes, skid shoes, runners, scraper blades, shear bolts, light bulbs, headlights and any equipment which has been altered, misused, misassembled, improperly adjusted, neglected, or damaged by accident.</li> <li>No warranty is extended for service completed by anyone other than an authorized distributor or dealer.</li> <li>No warranty is extended on any parts that are not genuine Ariens service parts.</li> <li>Ariens Company reserves the right to incorporate any changes in design into its products without obligation to make such changes on products previously manufactured.</li> </ul>	



**DISCLAIMER OF FURTHER WARRANTY**

There is no other express warranty. Implied warranties, including any warranty of merchantability or fitness for a particular purpose, are limited to the duration of this written warranty, and are excluded to the extent permitted by law. There are no warranties which extend beyond the description of the product contained herein. In no event shall the company be liable for indirect, special or consequential damages (such as loss of anticipated profits)

in connection with the consumer's use of the product. This warranty gives you specific legal rights, and you may also have other rights which vary from state to state. Some states do not allow the exclusion of incidental or consequential damages, or limitations on how long an implied warranty lasts, so the above limitation and exclusions may not apply to you.

# Ariens®

655 West Ryan Street • P.O. Box 157 • Brillion, WI 54110-0157 • 920-756-2141 • Fax 920-756-4421



***Ask Your Dealer For Information On  
These Other Fine Ariens Products***

- **Front and Rear Tine Tillers**
- **Walk-Behind Lawn Mowers**
- **Zero-Turning Radius Mowers**
- **Rear Engine Riding Mowers**
- **Yard and Garden Tractors**
- **Commercial Walk-Behind and Riding Mowers**
- **Sno-Thros**