



Very Well Connected™

INSTALLATION INSTRUCTIONS

<u>Product</u> 7160-0472-00, 00-P, 00-E, -03, 03-P, 03-E, -04 and -05 INSTRUCTION SHEET - JT-B1 DOCK	<u>Revision</u> Rev.B	<u>Form</u> INST-595 Printing Spec: PS-001
---	---------------------------------	--

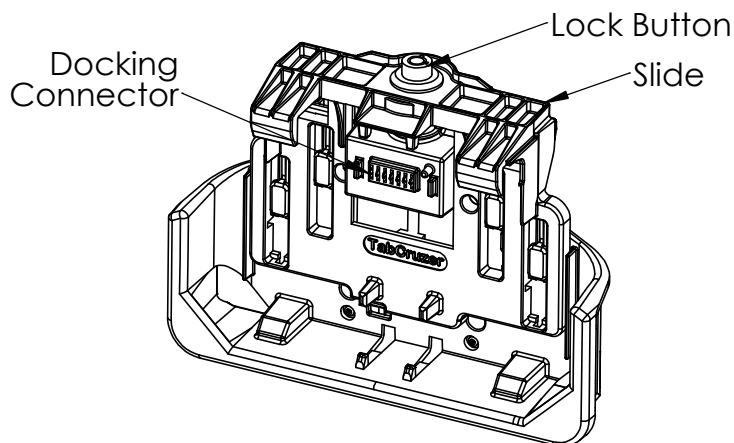
This device is a docking station for the Panasonic JT-B1 Toughpad.

Installation:

1. The dock requires 12 volts DC input. Depending on the configuration of the dock power can be supplied from Lind #PA1220-3910 (Barrel Connector) or Lind #PA1220-3618 (Square Connector). Connect the appropriate power supply to the dock (Figure 2 and 3)
2. Connect Ethernet and USB devices to the dock as desired (Figure 2).
3. Strain relief all cables using the provided cable ties and strain relief points (Figure 1).
4. Open the dock and mount the dock using the provided M4 hardware. Note: The mounting pattern is 75mm VESA.
5. The tablet hand strap should be installed so the "bump" is opposite the docking connector.

Use:

1. Open the dock by fully depressing the Lock Button.
2. Insert the tablet into the dock with the docking connector facing up. Note: The text on the tablet will be on the left hand side.
3. Depress the Slide of the dock until the lock engages and a click is heard.

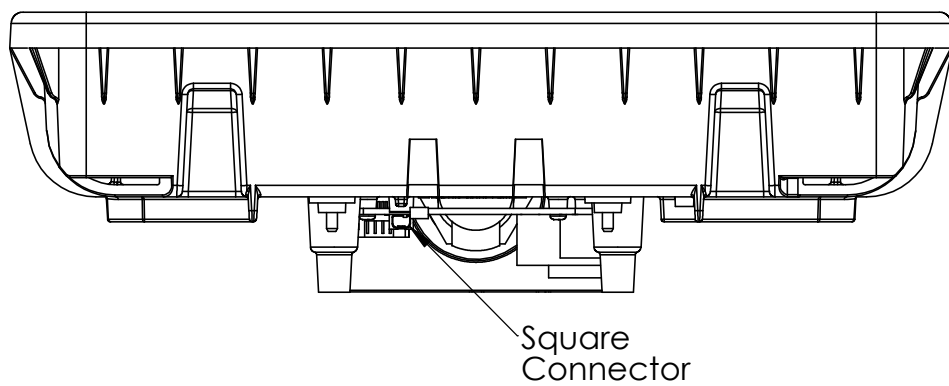
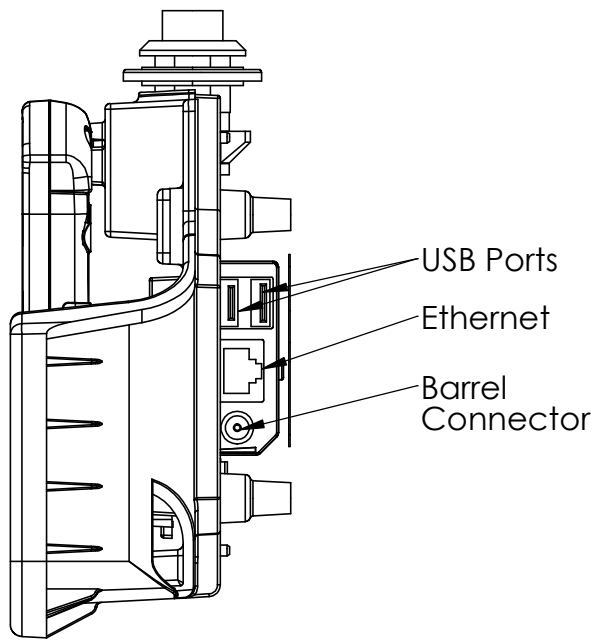
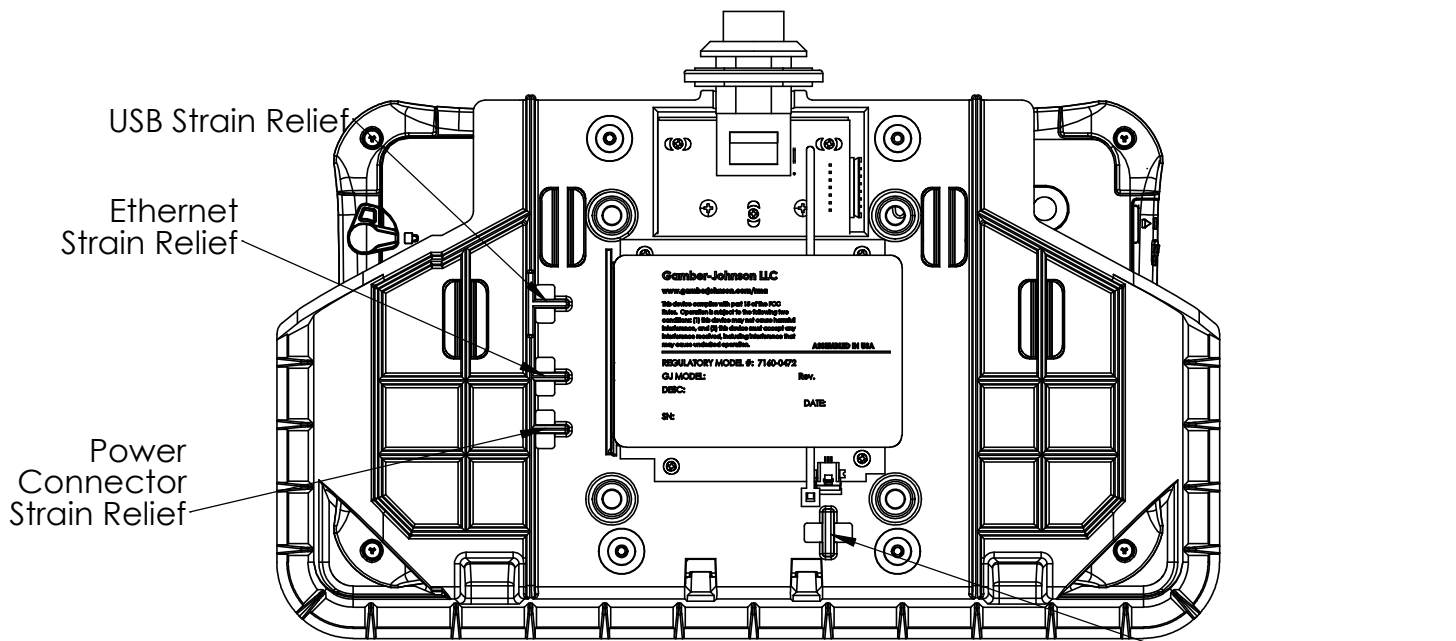


Product Mounting Disclaimer

Gamber-Johnson is not liable under any theory of contract or tort law for any loss, damage, personal injury, special, incidental or consequential damages for personal injury or other damage of any nature arising directly or indirectly as a result of the improper installation or use of its products in vehicle or any other application. In order to safely install and use Gamber-Johnson products full consideration of vehicle occupants, vehicle systems (i.e., the location of fuel lines, brakes lines, electrical, drive train or other systems), air-bags and other safety equipment is required. Gamber-Johnson specifically disclaims any responsibility for the improper use or installation of its products not consistent with the original vehicle manufactures specifications and recommendations, Gamber-Johnson product instruction sheets, or workmanship standards as endorsed through the Gamber-Johnson Certified Installer Program.

© Copyright 2013 Gamber-Johnson, LLC

If you need assistance or have questions, call Gamber-Johnson at 1-800-456-6868



Regulatory Certification Information

Regulatory Model #: 7160-0472

GJ Model #'s: 7160-0472-00, 7160-0472-00-E, 7160-0471-00-P, 7160-0472-03, 7160-0472-03-E, 7130-0472-03-P, 7160-0472-04, 7160-0472-05

Descriptions: Dock-Panasonic-JT-B1

Certifications:

- EN 55022:2010 CISPR 22:2008 Class B
- EN 50498:2010
- EN 50581:2012
- IEC 60950-1/A1:2009
- EN 60950-1/A12:2011
- CAN/CSA C22.2 No. 60950-1/A1:2011
- UL 60950-1/R:2011-12

This device complies with Part 15 of the FCC Rules. Operation is subject to the following two conditions. (1) this device may not cause harmful interference, and (2) this device must accept any interference received, including interference that may cause undesired operation.



Gamber-Johnson LLC, 3001 Borham Ave.,
Stevens Point, WI, 54481, USA, 715-344-3482