

SEARS

OWNER'S MANUAL

Model No.
47002

CAUTION:

**Read and Follow All Safety
Rules and Operating Instructions
Before Every Use of this Product.**

6/2 AMP MANUAL BATTERY CHARGER

Table Of Contents

| | | | |
|--|---|---|----|
| Warranty | 1 | Using Your Battery Charger | 6 |
| Important Safety Instructions | 2 | Setting the controls | 6 |
| Parts | 3 | Charging your battery | 6 |
| Before Using Your Battery Charger | 4 | Calculating charge time | 9 |
| Plugging it in | 4 | Maintenance and care | 10 |
| Using an extension cord | 4 | Troubleshooting | 11 |
| Preparing your battery to be charged | 5 | | |

Please read this Owner's Manual before using your Battery Charger

The Sears model 47002, Manual Battery Charger, offers a wide range of features to accommodate the needs for home or light commercial use. This manual will show you how to use your charger safely and effectively. Please read and follow these instructions and precautions carefully.

Warranty

FULL TWO-YEAR WARRANTY

If, within two years from the date of purchase this battery charger fails due to a defect in materials or workmanship, simply RETURN IT TO THE NEAREST SEARS STORE IN CANADA, and Sears will replace it, free of charge.

This warranty gives you specific legal rights, and you may also have other rights which vary from province to province.

Sears Canada, Inc.
Toronto, Ontario, M5B 2B8

Important Safety Instructions

– SAVE THESE INSTRUCTIONS –

WARNING

To reduce the risk of explosion, explosive gases, or injury while using your battery charger, follow the precautions listed below:

- Read **all** instructions and cautions printed on the battery charger, battery, and vehicle or equipment using battery.
- Use charger only on **lead-acid** type rechargeable batteries, such as those used in cars, trucks, tractors, airplanes, vans, RV's, trolling motors, etc. This charger is not intended to supply power to a low voltage electrical system other than in an automotive application.
- **Use only** attachments recommended or sold by manufacturer. The use of attachments not recommended by the manufacturer may result in fire, electric shock, or injury.
- **Do not** disassemble charger. Take it to a qualified service professional if service or repair is required. Incorrect assembly may result in fire or electrical shock.
- To reduce risk of electrical shock, **unplug** the charger from the outlet before attempting any maintenance or cleaning.
- **Always** charge battery in a well ventilated area.

Help us help you

Remember:

- **Place** charger as far away from battery being charged as the charger cables will permit.
- **Do not** expose charger to rain or snow.
- **Never** charge a frozen battery. If battery fluid (electrolyte) becomes frozen, bring battery into a warm area to thaw before you begin charging.
- **Never** allow battery acid to drip on charger when reading specific gravity or filling battery.
- **Never** set a battery on top of the charger.
- **Never** place charger directly above battery being charged. The gases from the battery will corrode and damage the charger.
- **Never** use charger for charging dry-cell batteries that are commonly used with home appliances. These batteries may burst and cause personal injury.
- **Never** touch the battery clamps together when the charger is energized.
- **Never** operate charger if it has received a hard blow, been dropped, or otherwise damaged. Take it to a qualified professional for inspection and repair.
- **Be sure** to position the charger power cord to prevent it from being stepped on, tripped over, or damaged.
- **Never** pull out the plug by the cord when unplugging the charger. Pulling on the cord may cause damage to the cord or the plug.
- **Do not** operate the charger if it has a damaged power cord or plug. Have the cord replaced.

Personal Safety Precautions

For your own personal safety, please follow the following precautions:

- **Wear complete eye and clothing protection** when working with lead-acid batteries.
- **Be sure** that someone is within range of your voice to come to your aid if needed while you work with or are near a lead-acid battery.
- **Have plenty of fresh water and soap** nearby for use in case battery acid contacts your eyes, skin, or clothing. If this happens, wash immediately with soap and water. Then get medical attention.
- **Avoid touching your eyes** while working with a battery. Acid particles (corrosion) may get into your eyes. If this occurs, flush eyes immediately with running cold water for at least 10 minutes. Then immediately get medical attention.
- **Remove all personal metal items** from your body, such as rings, bracelets, necklaces, and watches while working with a lead-acid battery. A battery can produce a short circuit current high enough to weld a ring (or the like) to metal, causing a severe burn.
- **Take care** not to drop any metal tool or metal object onto the battery. This may spark or short circuit the battery or another electrical device that may cause an explosion.
- **Always** operate your battery charger in an open, well ventilated area.
- **Never** smoke or allow a spark or flame in the vicinity of the battery or engine. Batteries generate explosive gases.
- **Neutralize** any acid spills thoroughly with baking soda before attempting to clean up.

Parts

This section shows an illustration of your battery charger. Use it to become familiar with where all the parts are located, and what they look like.

| Replacement Parts List Sears 47002 | | |
|------------------------------------|---|-------------|
| Item | Description | Part Number |
| 1 | Cover | 3799001402 |
| 2 | Heatsink/Diode Assembly | 2299000825 |
| 3 | Base | 3799001382 |
| 4 | AC Power Cord | 90026058 |
| 5 | Transformer | 93026433 |
| 6 | Output Cable | 3899000016 |
| 7 | Circuit Breaker (12A) | 3999000044 |
| 8 | 50A Clamp (1) | 2299000248 |
| | Sleeving Red (2) required | 0399000007 |
| | Sleeving Black (2) required | 0399000008 |
| 9 | Meter | 5399100090 |
| 10 | Switch SPDT | 0499000032 |
| 11 | Front Panel | 3799001392 |
| 12 | Decal | 0899000530 |
| 13 | Handle | 3599000240 |
| 14 | Screw 8-18 x 3/8" (4) | 5181806256 |
| 15 | Owner's Manual and Parts List (Not Shown) | 0000000548 |

Wiring diagram

Before Using Your Battery Charger

It is important to prepare your charger for use. This section will tell you about your charger's electrical requirements and how to prepare a battery for charging.

Plugging it in

⚠ WARNING

Electrical Shock Hazard

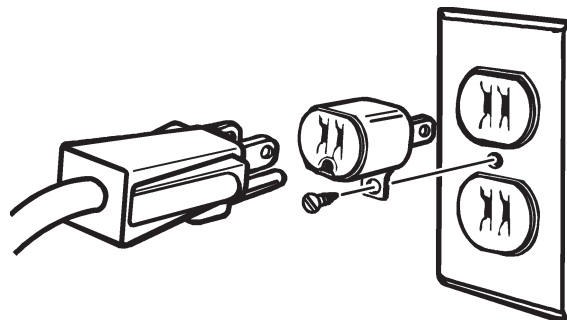
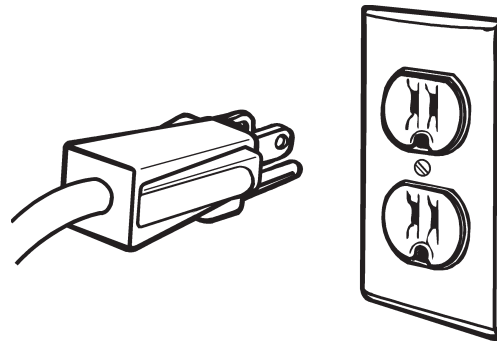
Be sure that power cord fits properly into outlet. If not, have a qualified technician install a proper outlet. Never alter the AC cord or plug provided. Improper connection can result in electrical shock.

Your charger should be grounded to reduce the risk of electrical shock.

Your charger is equipped with an electrical cord that has an equipment grounding conductor and a grounding plug designed to be used on a 120 volt circuit. The plug must be plugged into an outlet that has been properly installed and grounded in accordance with all local codes and ordinances.

A **TEMPORARY** adapter may be used to connect the charger to a two-pole outlet if a properly grounded outlet is not available. Use the adapter **ONLY** until a properly grounded outlet can be installed by a qualified electrician.

DANGER: Before using an adapter as illustrated, be certain that the center screw of the outlet plate is grounded. The green colored grounding clip of the adapter must be attached by a screw to a properly grounded outlet. If unsure whether outlet is properly grounded, contact a professional electrician. If necessary, replace the original outlet cover screw with a longer one that will secure the grounding clip to the outlet cover and make a ground connection to the grounded outlet.



Using an extension cord

The use of an extension cord is not recommended. If you must use an extension cord, please make sure that you follow these guidelines:

- Make sure the pins on the plug of the extension cord are the same number, size, and shape as those of the plug on the charger.
- Use only 3-conductor (grounded) extension cord when necessary.
- Check that the extension cord is properly wired and in good electrical condition.
- Make sure that the wire size is large enough for its length and for the AC ampere rating as specified in the accompanying chart.

MINIMUM RECOMMENDED EXTENSION CORD

| Length of Cord, in Feet | 25 | 50 | 100 | 150 |
|-------------------------|----|----|-----|-----|
| AWG* Size of Cord | 18 | 18 | 16 | 14 |

*AWG=American Wire Gauge

Preparing your battery to be charged

It is important that you read and follow these guidelines while you are preparing to charge your battery.

- Make sure that you have a 12 volt lead-acid battery.
- Clean the battery terminals. Be careful to keep corrosion from getting in or around your eyes.
- If you have a battery with removable cell caps, if required, add distilled water to each cell until the battery acid reaches the level recommended by the manufacturer. This will help purge excessive gases from the cells. Be careful not to overfill. If you have a sealed battery without cell caps, no action is necessary. Continue to the next step listed below.
- Take time to read all battery manufacturer's specific precautions, such as removing or not removing cell caps while charging, and recommended rates of charge.
- Wear safety glasses. See additional "Personal Safety Precautions" on page 2.
- Be sure that the area around the battery is well ventilated while it is being charged. If ventilation is poor, gas can be manually blown away by using a piece of cardboard or other non-metallic material as a fan.
- If it is necessary to remove the battery from the vehicle to charge it, always remove the grounded terminal from the battery first. A spark may be caused if all accessories in the vehicle are not completely turned off.

NOTE: A marine battery installed in a boat must be removed and charged on shore.

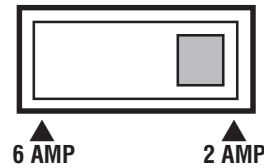
Using Your Battery Charger

For best results from your battery charger, learn to use it properly. This section tells how to set the controls and how to charge a battery in or out of the vehicle.

Setting the Controls

SELECTOR SWITCHES:

A 2-way switch is used to select the 2-AMP or the 6-AMP charge rate.

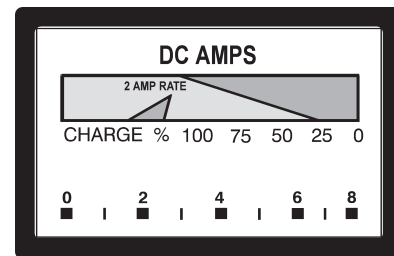


AMMETER:

The AMMETER indicates the measured amount of amperes being drawn by the battery. When you first start charging a battery, the reading will be high, with the needle near 6 using the 6 amp charging rate. As the battery charges, the needle will fall to about 2 or 3 amps, indicating a charged battery.

At the 2 amp charging rate, as the battery charges the needle will fall to about 3/4 to 1 amp indicating a charged battery.

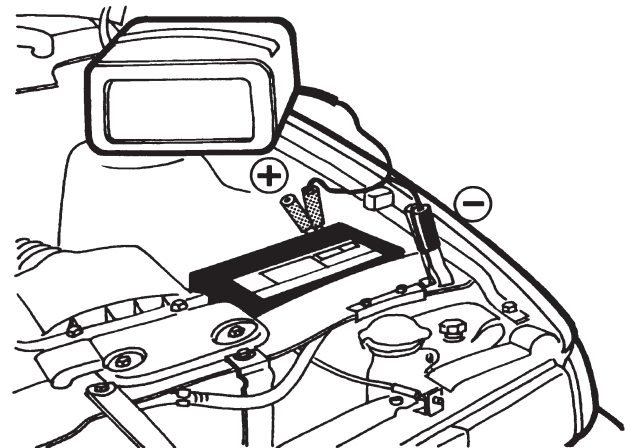
The percent of charge scale is intended as a visual aid to help simplify reading the state of charge of the battery. The meter is scaled for use with the 10 amp charge rate only. For the 2 amp charge rate use the red triangle. The percent of charge is based on current drawn by the battery. For this reason accuracy will vary with the size and battery type.



Charging Your Battery

Charging a battery in the vehicle:

1. Arrange the power cord and charging leads carefully to avoid damage that could be caused by the hood, door, or moving engine parts.
2. Keep clear of fan blades, belts, pulleys, and other parts that can cause injury.
3. Check the polarity of the battery posts as indicated on the battery case: POSITIVE (POS, P, or +) and NEGATIVE (NEG, N or -). NOTE: The positive post on top-post batteries is usually larger than the negative post.
4. Identify which battery post is ground or connected to the chassis. **THE NEGATIVE POST IS NORMALLY THE ONE THAT IS GROUNDED.**
5. **To charge a negative grounded post system:** Connect the red (POSITIVE) battery charger clamp to the ungrounded POSITIVE (POS, P, +) post of the battery. Then connect the black (NEGATIVE) clamp to a heavy, unpainted metal part of the chassis or engine block, away from the battery. Do not connect clamp to carburetor, fuel lines, or sheet metal parts.



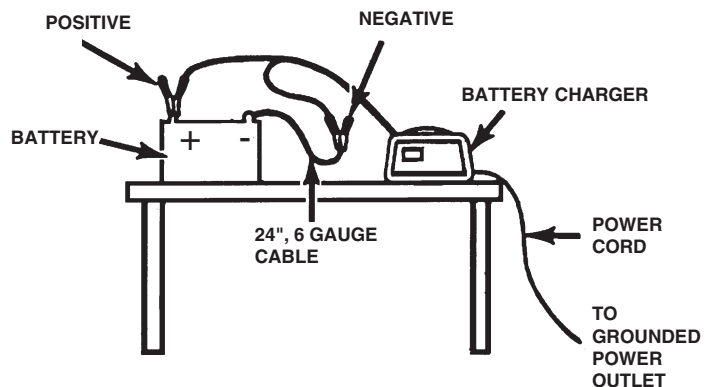
NEGATIVE GROUNDED SYSTEM

To charge a positive grounded post system: Connect the black (NEGATIVE) battery charger clamp to the NEGATIVE (NEG, N, -) ungrounded post of the battery. Then connect the red (POSITIVE) clamp to a heavy, unpainted metal part of the chassis or engine block. Do not connect clamp to carburetor, fuel lines, or sheet metal parts.
IMPORTANT: Wear safety glasses and face away from the battery while making connections.

6. Connect the clamp to the battery post and twist or rock back and forth to make a solid connection. This will help keep the clamps from slipping off the posts and causing sparks.
7. Select the charge rate with the Selector Switch then plug the power cord into a grounded AC outlet to begin charging.
8. The charger **will not stop** when the battery is fully charged. For this reason it is important to check charging progress frequently. Overcharging can damage a battery, you must monitor and unplug charger when battery is fully charged.
9. When the battery is fully charged, the AMMETER pointer will fall to about half the charge rate selected. For specific positions, refer to the "Ammeter" section in "Using your battery charger" on page 6.
10. When the battery is fully charged, unplug the charger power cord before attempting to disconnect charger clamps.
11. Standing away from the battery, remove the charger clamps in this order: (1) from the chassis connection and, (2) from the battery post or terminal.
12. Clean and store the battery charger in a dry location.

Charging your battery outside the vehicle:

1. Remove the battery from vehicle, making sure to disconnect grounded terminal first with all accessories and lights turned off in the vehicle.
2. Check the polarity of the battery posts as indicated on the battery case: POSITIVE (POS, P, +) and NEGATIVE (NEG, N, -).
NOTE: On top-post batteries, the positive battery terminal usually has a larger diameter post than the negative one.
3. Connect the red (POSITIVE) charger clamp to the POSITIVE post of the battery. Be sure to rock the clip back and forth to make a solid connection.
4. Attach a 6-gauge (AWG) or a 4-gauge (SAE) insulated battery cable of at least 24-inches in length to the NEGATIVE battery post. This cable will provide a safer connection because arcing and sparking will occur away from the battery. (The battery cable is not provided with the charger, but may be purchased at most automotive accessory outlets.)
5. Take the other end of the 6-gauge (AWG) or a 4-gauge (SAE) insulated 24-inch cable and, standing as far away from the battery as possible, connect the black (NEGATIVE) lead of the charger to the free end of the cable. Rock the clamp to make a solid connection.
IMPORTANT: Wear safety glasses and face away from the battery while making this final connection.
6. Select the rate of charge with the Selector Switch then plug the power cord into a grounded AC outlet to begin charging.
7. The charger **will not stop** when the battery is fully charged. For this reason it is important to check charging progress frequently. Overcharging can damage a battery, you must monitor and unplug charger when battery is fully charged.



8. When the battery is fully charged, the AMMETER pointer will fall to about half the charge rate selected. For specific positions, refer to the "Ammeter" section in "Using your battery charger" on page 6.
9. When the battery is fully charged, unplug the charger power cord before attempting to disconnect charger clamps.
10. Stand away from the battery and remove the charger leads from the NEGATIVE connection first, then from the POSITIVE battery post or terminal.
11. Clean and store the battery charger in a dry location.

Calculating charge time

The Chart Method

Use the following table to more accurately determine the time it will take to bring a battery to full charge. First, identify where your battery fits into the chart.

- Small batteries — motorcycles, garden tractors, etc. — are usually rated in Ampere Hours (AH). For example; 6 to 12 AH, or 12 to 32 AH.
- Batteries in cars and smaller trucks are usually rated in Reserve Capacity (RC), Cold-Cranking Amps (CCA), or both.

- Marine, or deep-cycle batteries are usually rated in Reserve Capacity (RC).
- **NR** means that the charger setting is NOT RECOMMENDED.

Find your battery's rating on the chart below and note the charge time given for each charger setting. The times given are for batteries with a **50-percent charge** prior to recharging. Add more time for severely discharged batteries.

| BATTERY SIZE/RATING | | | CHARGE RATE/CHARGING TIME - HOURS | |
|---------------------|----------------------------------|-------------|-----------------------------------|--------|
| | | | 2 AMP | 6 AMP |
| SMALL BATTERIES | Motorcycle, garden tractor, etc. | 6 - 12 AH | 2 - 4 | NR |
| | | 12 - 32 AH | 4 - 10 | NR |
| CAR/TRUCKS | 200 - 315 CCA | 40 - 60 RC | 11 - 14 | 4 - 5 |
| | 315 - 550 CCA | 60 - 85 RC | 14 - 18 | 5 - 6 |
| | 550 - 1000 CCA | 85 - 190 RC | 18 - 35 | 6 - 12 |
| MARINE/DEEPCYCLE | | 80 RC | 18 | 6 |
| | | 140 RC | 27 | 9 |
| | | 160 RC | 30 | 10 |
| | | 180 RC | 33 | 11 |

The Hydrometer or Electronic Method

To find the time needed to fully charge your battery, determine the battery's charge level with a hydrometer or electronic Percent-of-Charge Tester. The following table will help you convert hydrometer readings to percent of charge values.

| SPECIFIC GRAVITY | PERCENT OF CHARGE | PERCENT OF CHARGE NEEDED |
|------------------|-------------------|--------------------------|
| 1.265 | 100% | 0% |
| 1.225 | 75% | 25% |
| 1.155 | 25% | 75% |
| 1.120 | 0% | 100% |

When you know the percent of charge and the Amp Hour (AH) rating of your battery, you can calculate the approximate time needed to bring your battery to a full charge.

To **convert** Reserve Capacity to Amp Hours, divide Reserve Capacity by 2, and add 16:

$$\text{Amp Hours} = \frac{\text{Reserve Capacity}}{2} + 16$$

To calculate time needed for a charge:

- Find the percent of **charge needed**. (A battery at 50 percent charge that will be charged to 100 percent needs another 50 percent (.50).
- Multiply the Amp Hour rating by the charge needed (.50) and divide by the charger setting (2 or 6 amps).
- Multiply the result by 1.25 and you'll have the approximate time needed, in hours, to bring the battery to full charge.
- Add one additional hour for a deep-cycle battery.

Example:

$$\frac{\text{Amp Hour Rating} \times \% \text{ of charge needed} \times 1.25}{\text{Charger Setting}} = \text{hours of charge}$$

$$\frac{100 \text{ (AH Rating)} \times .50 \text{ (charge needed)} \times 1.25}{6 \text{ (Charger Setting)}} = 10.4 \text{ hours}$$

$$\frac{100 \times .50}{6} = 8.33 \times 1.25 = 10.4$$

You would need to charge your 100-Ampere Hour Battery for approximately 10½ hours at the 6-Amp charge rate using the above example.

Maintenance and care

A minimal amount of care can keep your battery charger working properly for years.

1. Clean the clamps each time you are finished charging. Wipe off any battery fluid that may have come in contact with the clamps to prevent corrosion.
2. Coil the input and output cords neatly when storing the charger. This will help prevent accidental damage to the cords and charger.
3. Occasional cleaning of the case of the charger with a soft cloth will keep the finish shiny and help prevent corrosion.

Troubleshooting

Performance problems often result from little things that you can fix yourself. Please read through this chart for a possible solution if a problem occurs.

| PROBLEM | POSSIBLE CAUSE | SOLUTION/REASONS |
|---|---|--|
| No ammeter reading. | Clamps not making good connection. 2-amp charge rate. No AC power reaching charger. | Check for poor connection at battery. Make sure clamps and posts are clean. Ammeter needle will indicate little activity at the 2-amp charge rate. Check AC outlet and extension cords for loose fitting plug. Check for open fuse or circuit breaker supplying AC outlet. |
| Circuit breaker in charger cycles on and off with a clicking sound. | Shorted battery clamps. Shorted battery. Charger leads reversed on battery. | Separate the clamps. Circuit breaker cycles when current draw is too high. Check for worn cables and replace if needed. Have qualified Sears technician test the battery. Correct connections. |
| Ammeter reads less than selected charge rate when charging. | Extension cord too long or wire gauge too small. Battery has weak cell or sulfated plate. Battery is only partially discharged. | Use shorter or heavier extension cord. Sulfated battery will eventually take a normal charge if left connected. If the battery will not take a charge, have it tested by a qualified Sears technician. Continue charging battery. |
| Charger makes a loud buzz or hum. | Transformer laminations vibrate (buzz). Shorted diode (hum). | Continue charging. Buzz is not abnormal. Have charger tested by qualified technician. |

If the above solutions do not eliminate the problem...
call toll-free from anywhere in the U.S.A. or Canada
1-800-SEARS-64
(1-800-732-7764)
7 AM to 4:30 PM CST Monday through Friday

SEARS

OWNER'S MANUAL

Model No.
200.47002

When requesting service or ordering parts, always provide the following information:

- Product Type
- Model Number
- Part Number
- Part Description

6/2 AMP MANUAL BATTERY CHARGER

For information about troubleshooting
Call toll-free from anywhere in the U.S.A. or Canada
7 am to 4:30 pm CST Monday through Friday
1-800-SEARS-64
(1-800-732-7764)

SEARS