

**Satellite M35X series**

| Model Name | Description  | Part Number   | UPC Code     |
|------------|--|---------------|--------------|
| M35X-S114  | Intel® Celeron® M Processor 350, 15" XGA, 256MB, 40GB (4200 RPM), DVD/CD-RW, 802.11bg, TV-out, IEEE 1394, Microsoft® Windows® XP Home (SP2), 1-year Limited Warranty         | PSA72U-3HC00U | 032017331785 |
| M35X-S1141 | Intel® Celeron® M Processor 350, 15" XGA, 256MB, 40GB (4200 RPM), DVD/CD-RW, 802.11bg, TV-out, IEEE 1394, Microsoft® Windows® XP Professional (SP2), 1-year Limited Warranty | PSA72U-3HC00Y | 032017331778 |

**System Characteristics<sup>1</sup>**

**Operating System**

- Microsoft® Windows® XP Home (SP2)
- Microsoft® Windows® XP Professional (SP2)

**Processor and Chipset<sup>2</sup>**

- Intel Celeron® M Processor 350 [1.3GHz, 1MB L2 cache, 400MHz FSB]
- Intel 855GME Chipset

**Memory<sup>3</sup>**

- Configured with 256MB
- 256MB (Min)/2048MB (Max), 2 available memory slots for 256MB, 512MB, or 1024MB PC2700 DDR333 SDRAM 2.5V SODIMM memory modules. Both slots may be occupied.

**Mass Storage**

**Hard Drive<sup>4</sup>**

- 40GB (4200 RPM). Enhanced IDE (ATA-6) hard disk drive; 9.5mm height; user removable

**Optical Disk Drive**

- Fixed Bay CD-RW/DVD drive:
  - Maximum Speed:
    - CD-ROM (24x:read), CD-R (24x:write), CD-RW (4x:write), DVD-ROM (8x:read)
  - Compatibility:
    - CD-ROM (read), CD-R (read/write), CD-RW (read/re-write), DVD-ROM (read), DVD-R (read), DVD-R/RW/RAM (read only)

**Display<sup>5</sup>**

- 15" diagonal TFT active-matrix LCD display at 1024x768 native resolution
- Maximum Brightness 150 Cd/m<sup>2</sup>
- Brightness Control

**Graphics<sup>6</sup>**

- Intel Extreme Graphics 16MB-64MB (DVMA) shared video memory

**Input Devices**

- Keyboard
  - 85 key US keyboard, 2.7mm key stroke, 6mm keyboard height, 19.05mm key pitch
  - Hot Key Functions (FN); please see electronic User's Guide for more information
  - Windows Key Function
  - Application Key Function
- Pointing Device:
  - Touch Pad

**Expandability**

- 2 main memory slots. Both slots may be occupied.
- 1 PC Card slot support 1 Type II, PCMCIA R2.01, PC Card16, CardBus

**Communications<sup>7</sup>**

- Integrated V.92 modem
- Atheros® 802.11b/g wireless-LAN supporting Atheros SuperG™ technology<sup>8</sup>
- Realtek -10/100Base-TX Ethernet

**Ports**

- RGB (monitor) port
- TV-out (S-Video)
- i.LINK(TM) IEEE-1394
- 3 Universal Serial Bus (USB) ports (v2.0)

- External Microphone jack
- Headphone jack
- RJ-45 LAN port
- RJ-11 modem port

**Physical Description**

- Dimensions (WxDxH Front/H Rear): 14.4" (365mm) x 10.83" (275mm) x 1.16" (29.5mm)[F]/1.48" (37.5mm)[R] without feet
- Weight<sup>9</sup>: Starting at 6.8 lbs depending upon configuration
- Indicators: Power, Hard Drive, CD/DVD-ROM, Wireless indicator, Caps Lock, Arrow Lock, Numeric Lock, Main Battery Charging Status, Sleep Suspend Mode.

**Sound**

- Software Sound
- 16-bit stereo; Built-in stereo speakers
- 3D Sound Support, Direct 3D Sound; DirectSound, Direct Music, MIDI (playback) Support
- Sound Volume Control Dial

**Power Supply**

- 65W (19V 3.42A) Auto sensing external AC Adapter, 100-240V / 50-60Hz frequency (Universal) input.
- Dimensions (WxDxH): 4.25" (108mm) x 1.85" (47mm) x 1.10" (28mm)
- Weight: starting at 0.67 lbs (305g)

**Battery<sup>10</sup>**

- 4-cell (2150mAh) rechargeable, removable Lithium Ion (Li-Ion) battery pack
- Weight: starting at 0.58 lbs (265g)
- Dimensions (WxDxH): 5.56" (141.2mm) x 3.64" (92.4mm) x 0.76" (19.4mm)
- Battery Life: Up to 1:30 hours:minutes (measured by MobileMark™) (4-cell battery)
- Recharge Time
  - Main Battery Off/On – approximately 4.0 hrs/approximately 12.0 hrs

**Security**

- Slot for cable lock;
- Items protected by a screw: HDD, memory
- Passwords: User Power-on password, Supervisor Password
- Hotkey locks: Screen Blank
- Software: Screen Saver

**BIOS**

- ACPI v1.0b, PNP v1.0a, VESA v3.0, DPMS, DDC, SM BIOS v2.34, PC BIOS v2.2 support

**Software<sup>11</sup>**

**Toshiba Software and Utilities**

- Toshiba Notebook Maximizer
- Toshiba Speech System
- Toshiba ConfigFree™
- Toshiba Custom Utilities
- Toshiba Touch and Launch
- TOSHIBA MyConnect™ - 45 day free trial offer  
MYCONNECT OFFER DETAILS: <sup>1</sup> Valid in the US only! You must cancel your Access Plan before the end of the trial period to avoid being charged the \$39.95 monthly Access Service fee for the six month plan commitment period. Monthly automatic renewal feature after end of commitment period. Available to new members in the U.S., age 18 or older, and a major credit card for billing is required. Offer is for unlimited dial-up, wired broadband, or Wi-Fi remote access connection time in the 50 United States and the District of Columbia within the MyConnect service area for 30 day continuous service periods. Use of optional 800 telephone number dial-up usage will incur additional fees even during the trial period. Other terms and conditions apply. Offer

# TOSHIBA

expires June 30, 2005. Information, prices, and availability subject to change without notice.

## Third-party Software

- Microsoft® Works
- Microsoft® Office Trial Version Student/Teacher
- Microsoft® Office OneNote™ 2003
- Software Decoder: Intervideo® (WinDVD™ 5)-w/SRS TruSurround XT® Technology
- Sonic® Solutions Drive Letter Access (DLA)
- Sonic® Solutions RecordNow!™ Basic
- ArcSoft ShowBiz® DVD Version 1.3
- Intuit® Quicken® New User Edition 2004
- Norton AntiVirus™ 2004 – w/3-Month Subscription
- AOL® (3 –Month offer)

*AOL OFFER DETAILS: Availability may be limited, especially during peak times. TO AVOID BEING CHARGED A MONTHLY MEMBERSHIP FEE, SIMPLY CANCEL BEFORE THE THREE-MONTH PROMOTIONAL PERIOD ENDS. Premium services carry surcharges and communication surcharges may apply, including AK, even during promotional period. Members may incur telephone charges on their phone bill, depending on their location and calling plan, even during promotional period. Available to new AOL members in the United States, age 18 or older; a major credit card or checking account is required.*

- Adobe® Acrobat Reader
- AT&T® Worldnet® Service – 1 Month FREE  
*Telephone access and other charges and other terms and conditions may apply. Offer available to new customers only.*
- QuickTime™ Player
- RealOne™ Player 8 Basic
- Microsoft® Internet Explorer
- Napster® online digital music service (30-day trial)

## Environmental Specifications

|   | Operating                   | Non-Operating                  |
|---|-----------------------------|--------------------------------|
| <b>Temperature</b>                      | 5° to 35°C<br>(41° to 95°F) | -20° to 65°C<br>(-4° to 149°F) |
| <b>Thermal Gradient</b>                 | 15°C per hour<br>maximum    | 20°C per hour<br>maximum       |
| <b>Relative Humidity</b>                | 20% to 80%                  | 10% to 95%                     |
| <b>Altitude (relative to sea level)</b> | 0 to 3000 meters            | 0 to 10,000 meters             |
| <b>Shock</b>                            | 10G                         | 60G                            |
| <b>Vibration</b>                        | 5G                          | 1.0G                           |

## Limited Warranty

### 1-year Standard, Limited Warranty

### Limited Warranty Upgrades and Extensions

Toshiba offers many different warranty extensions and enhanced service plans such as SystemGuard®, At-Home Repair, and Service Express to provide additional support to your notebook PC. For a full description and complete list of programs, please visit [www.accessories.toshiba.com](http://www.accessories.toshiba.com)

### Recommended Services

#### Warranty Extension

Extends the standard warranty for up to 4 years from the original notebook purchase date. See Toshiba Service Plan Agreement for program terms and conditions at [www.pcsupport.toshiba.com](http://www.pcsupport.toshiba.com).

| Part Number | Description  |
|-------------|--|
| SWC-PEQQ2V  | 2 <sup>nd</sup> Year Warranty Extension                  |
| SWP-PEQQ3V  | 2 <sup>nd</sup> /3 <sup>rd</sup> Year Warranty Extension |

#### SystemGuard Accidental Damage Coverage<sup>1</sup>

Provides coverage of accidental damage caused by drops, spills and even screen breakage. Warranty Extension included except with 1 Year plan. <sup>1</sup>SystemGuard must be purchased within 30 days of purchase.

| Part Number | Description   |
|-------------|---|
| SWC-PSGQ1V  | 1 <sup>st</sup> Year  |
| SWC-PEGQ2V  | 1 <sup>st</sup> /2 <sup>nd</sup> Year + Warranty Extension                  |
| SWP-PEGQ3V  | 1 <sup>st</sup> /2 <sup>nd</sup> /3 <sup>rd</sup> Year + Warranty Extension |

## ServiceExpress

Select your express repair service with either Depot Express or Carry-In Express. Depot Express: Notebook repaired the same day it is received, and returned via overnight delivery. Shipping and box provided. Carry-In Express: Notebook repaired by the next business day at any Premier Authorized Service Provider. Warranty Extension included except with 1 Year plan.

| Part Number | Description   |
|-------------|---|
| SWC-PSQP1V  | 1 <sup>st</sup> Year  |
| SWC-PEQP2V  | 1 <sup>st</sup> /2 <sup>nd</sup> Year + Warranty Extension                  |
| SWP-PEQP3V  | 1 <sup>st</sup> /2 <sup>nd</sup> /3 <sup>rd</sup> Year + Warranty Extension |

## At-Home Repair

A technician arrives with parts at the customer's business location the next business day and performs the necessary hardware repairs.

Warranty Extension included except with 1 Year plan.

| Part Number | Description   |
|-------------|---|
| SWC-PSQH1V  | 1 <sup>st</sup> Year  |
| SWC-PEQH2V  | 1 <sup>st</sup> /2 <sup>nd</sup> Year + Warranty Extension                  |
| SWP-PEQH3V  | 1 <sup>st</sup> /2 <sup>nd</sup> /3 <sup>rd</sup> Year + Warranty Extension |

## SystemGuard1 + ServiceExpress

Combines SystemGuard and ServiceExpress coverage. Warranty Extension included except with 1 Year plan.

| Part Number | Description   |
|-------------|---|
| SWC-PSGP1V  | 1 <sup>st</sup> Year  |
| SWC-PEGP2V  | 1 <sup>st</sup> /2 <sup>nd</sup> Year + Warranty Extension                  |
| SWP-PEGP3V  | 1 <sup>st</sup> /2 <sup>nd</sup> /3 <sup>rd</sup> Year + Warranty Extension |

## SystemGuard1 + At-Home Repair

Combines SystemGuard and Business On-Site Repair coverage.

Warranty Extension included except with 1 Year plan.

| Part Number | Description   |
|-------------|---|
| SWC-PSGH1V  | 1 <sup>st</sup> Year  |
| SWC-PEGH2V  | 1 <sup>st</sup> /2 <sup>nd</sup> Year + Warranty Extension                  |
| SWP-PEGH3V  | 1 <sup>st</sup> /2 <sup>nd</sup> /3 <sup>rd</sup> Year + Warranty Extension |

## Accessories

For additional and most update accessories, please visit [www.accessories.toshiba.com](http://www.accessories.toshiba.com).

## Memory

|             |                                   |
|-------------|-----------------------------------|
| KTT3311/256 | Kingston PC2100/PC2700, 256MB DDR |
| KTT3311/512 | Kingston PC2100/PC2700, 512MB DDR |
| KTT3311/1G  | Kingston PC2100/PC2700, 1GB DDR   |

## Power

|              |   |
|--------------|---|
| PA3396U-1ACA | Toshiba 65W Global AC Adapter           |
| PA3395U-1BRS | Toshiba Primary Li Ion Battery (8 cell) |

## Security

|              |  |
|--------------|--|
| PA1370U-1ETC | Toshiba Keyboard Protector (Tecra/Satellite/Protégé) |
|--------------|--|

## Storage & Back-up

|              |                                   |
|--------------|-----------------------------------|
| PA3109U-1FDD | Toshiba USB Floppy Disk Drive Kit |
|--------------|-----------------------------------|

# TOSHIBA

## Return Policy

Notwithstanding anything to the contrary in any third party License Agreement or product documentation supplied with your PC, Toshiba America Information Systems, Inc. ("TAIS") does not accept the return of component parts, or bundled software, that have been removed from the PC system. Pro-rata refunds on individual PC components or bundled software, including the operating system, will not be granted. If you wish to return a complete PC system, contact the TAIS dealer where you purchased the product, and comply with the dealer's standard return policies and procedures.

Toshiba America Information Systems, Incorporated ("TAIS")  
9740 Irvine Boulevard  
Irvine CA 92618  
ToshibaDirect website: <http://www.toshibadirect.com>  
TAIS website for resellers: <http://sell.toshiba.com>  
TAIS PC Support website: <http://pcsupport.toshiba.com>

Portégé, Satellite, Tecra, Slim SelectBay and SystemGuard are registered trademarks and ConfigFree is a trademark of Toshiba America Information Systems, Inc. and/or Toshiba Corporation. Intel, Celeron, Centrino, Intel Inside, Pentium, the Intel Centrino logo, and the Intel Inside logo are trademarks or registered trademarks of Intel Corporation or its subsidiaries in the United States and other countries. Microsoft and Windows are registered trademarks and OneNote is a trademark of Microsoft Corporation in the United States and/or other countries. Winstone® is a registered trademark and BatteryMark™ is a trademark of Ziff Davis Publishing Holdings Inc. in the U.S. and other countries. MobileMark™ is a trademark of the Business Applications Performance Corporation. Wi-Fi is a registered certification mark of the Wi-Fi Alliance. The Bluetooth word mark and logos are owned by the Bluetooth SIG, Inc. and any use of such marks by Toshiba is under license. NVIDIA and GeForce are registered trademarks or trademarks of NVIDIA Corporation in the United States and/or other countries. All other trademarks are the property of their respective owners.

## <sup>1</sup> Subject to Change

While Toshiba has made every effort at the time of publication to ensure the accuracy of the information provided herein, product specifications, configurations, prices, system/component/options availability are all subject to change without notice. For the most up-to-date product information about your computer, or to stay current with the various computer software or hardware options, visit Toshiba's Web site at <http://pcsupport.toshiba.com>. The product specifications and configuration information are designed for a product Series. Your particular model may not have all the features and specifications listed or illustrated. For more detailed information about the features and specifications on your particular model, please visit Toshiba's Web site at <http://pcsupport.toshiba.com>.

## <sup>2</sup> CPU Disclaimer.

Central Processing Unit ("CPU") Performance Disclaimer.

CPU performance in your computer product may vary from specifications under the following conditions:

1. use of certain external peripheral products
2. use of battery power instead of AC power
3. use of certain multimedia, computer generated graphics or video applications
4. use of standard telephone lines or low speed network connections
5. use of complex modeling software, such as high end computer aided design applications
6. use of several applications or functionalities simultaneously
7. use of computer in areas with low air pressure (high altitude >1,000 meters or >3,280 feet above sea level)
8. use of computer at temperatures outside the range of 5°C to 30°C (41°F to 86° F) or >25°C (77°F) at high altitude (all temperature references are approximate and may vary depending on the specific computer model – please refer to your Resource Guide or visit the Toshiba website at [www.pcsupport.toshiba.com](http://www.pcsupport.toshiba.com) for details).

CPU performance may also vary from specifications due to design configuration.

Under some conditions, your computer product may automatically shut-down. This is a normal protective feature designed to reduce the risk of lost data or damage to the product when used outside recommended conditions. To avoid risk of lost data, always make back-up copies of data by periodically storing it on an external storage medium. For optimum performance, use your computer product only under recommended conditions. Read additional restrictions under "Environmental Conditions" in your product Resource Guide. Contact Toshiba Technical Service and Support for more information.

## <sup>3</sup> Main Memory Disclaimer

The graphics system in your computer may use part of the main system memory for graphics performance and therefore reduce the amount of system memory available for other computing activities. The amount of system memory allocated to support graphics may vary depending on the graphics system, applications utilized, system memory size and other factors.

## <sup>4</sup> Hard Drive Capacity Disclaimer

1 Gigabyte (GB) means  $1000 \times 1000 \times 1000 = 1,000,000,000$  bytes using powers of 10. The computer operating system, however, reports storage capacity using powers of 2 for the definition of 1 GB =  $1024 \times 1024 \times 1024 = 1,073,741,824$  bytes, and therefore may show less storage capacity. Available storage capacity will also be less if the product includes pre-installed Microsoft Operating System and/or application software. Actual formatted capacity may vary.

## <sup>5</sup> Display

### TFT Disclaimer.

Small bright dots may appear on your TFT display when you turn on your PC. Your display contains an extremely large number of thin-film transistors (TFT) and is manufactured using high-precision technology. Any small bright dots that may appear on your display are an intrinsic characteristic of the TFT manufacturing technology.

Over a period of time, and depending on the usage of the computer, the brightness of the LCD Screen will deteriorate. This is an intrinsic characteristic of LCD technology. Screen will dim when the computer is operated on battery power and you may not be able to increase the brightness of the screen.

## <sup>6</sup> Graphics

Graphics processor unit ("GPU") performance may vary depending on product model, design configuration, applications, power management settings and features utilized. GPU performance is only optimized when operating in AC power mode and may decrease considerably when operating in battery power mode.

## <sup>7</sup> FCC Modem Speed Disclaimer.

Due to FCC limitations, speeds of 53 kbps are the maximum permissible transmission rates during download. Actual data transmission speeds will vary depending on line conditions.

**Wireless or Connectivity Claims.**

Wireless connectivity and some features may require you to purchase additional software, external hardware or services. Availability of public wireless LAN access points is limited. The transmission speed over the wireless LAN and the distance over which wireless LAN can reach may vary depending on surrounding electromagnetic environment, obstacles, access point design and configuration, and client design and software/hardware configurations. The actual transmission speed will be lower than the theoretical maximum speed.

<sup>8</sup> To use the Atheros SuperAG™ or SuperG™ function, your client and access point must support the corresponding feature. Performance of these functions may vary depending on the format of data transmitted.

**<sup>9</sup> Weight Disclaimer**

Weight may vary depending on product configuration, vendor components, manufacturing variability and options selected.

**<sup>10</sup> BAPCo® MobileMark Battery Life Data Disclaimer**

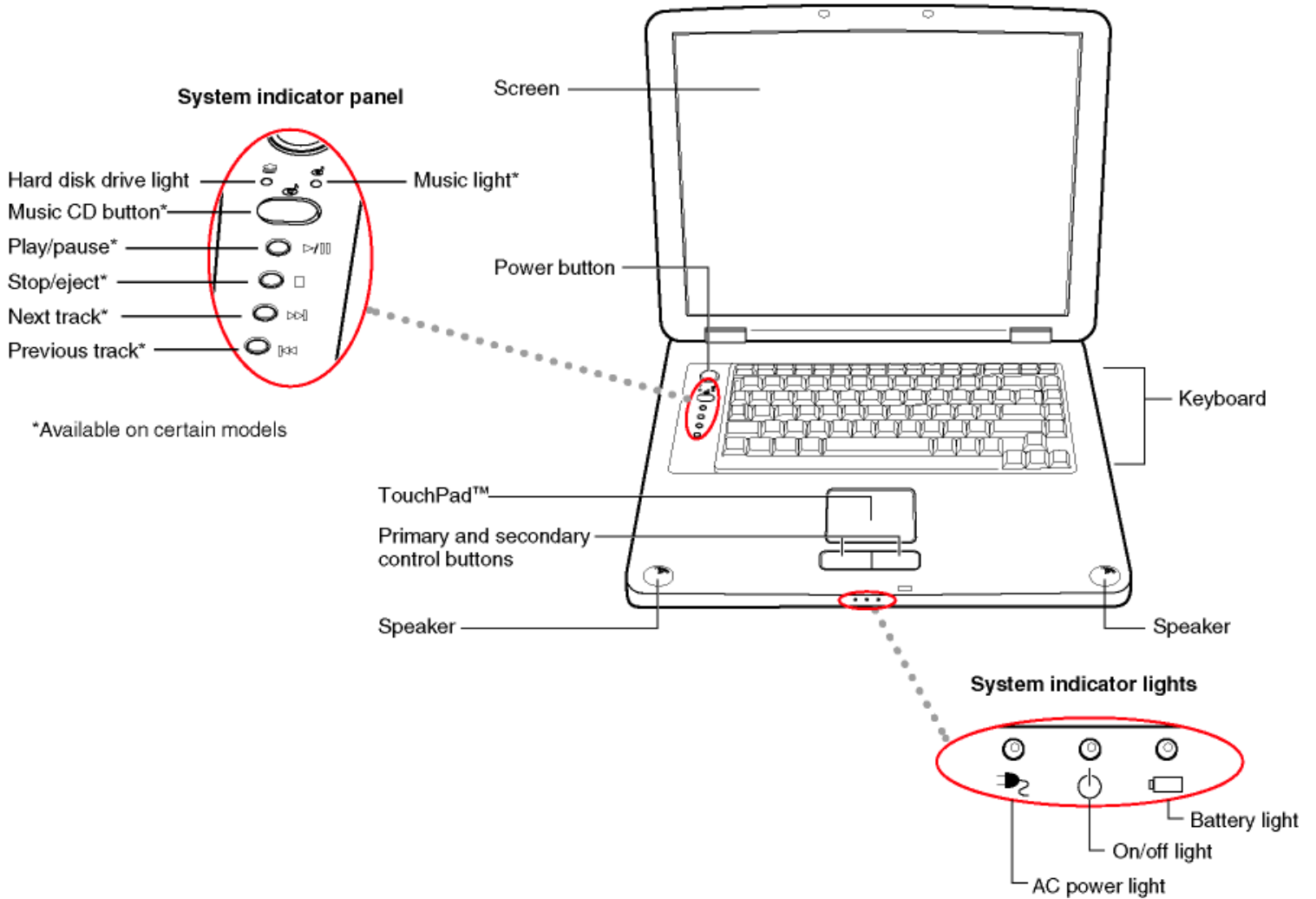
These models achieved the battery life times shown using Business Applications Performance Corporation ("BAPCo®") MobileMark™ 2002. BAPCo does not make any representations or warranties as to the results of the tests. MobileMark™ and BAPCo® are registered trademarks of Business Applications Performance Corporation in the U.S. and other countries. © Copyright 2004 BAPCo. All Rights Reserved.

\*Battery life may vary considerably from specifications depending on product model, configuration, applications, power management settings and features utilized, as well as the natural performance variations produced by the design of individual components. Published battery life numbers are achieved on select models and configurations tested by Toshiba at the time of publication. Recharge time varies depending on usage. Battery may not charge while computer is consuming full power. After a period of time, the battery will lose its ability to perform at maximum capacity and will need to be replaced. This is normal for all batteries. To purchase a new battery pack, see the accessories information that shipped with your computer or visit the Toshiba web site at [www.accessories.toshiba.com](http://www.accessories.toshiba.com).

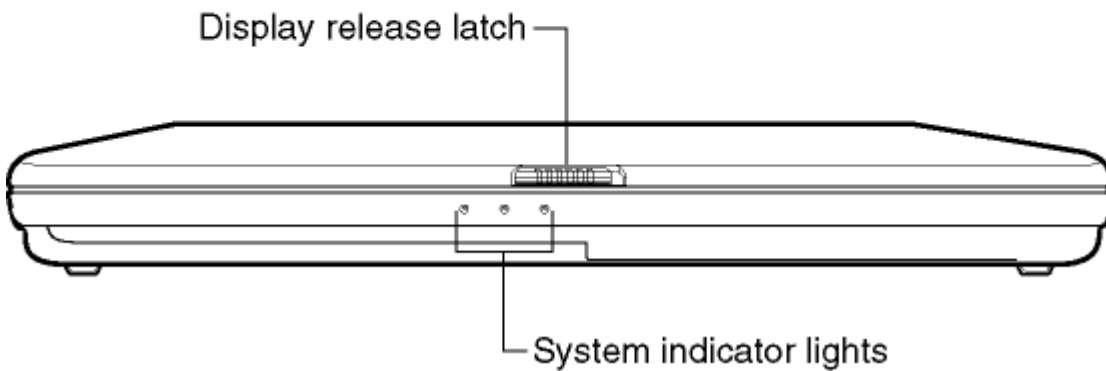
**<sup>11</sup> Software Disclaimer**

Some software may differ from its retail version (if available), and may not include user manuals or all program functionality.

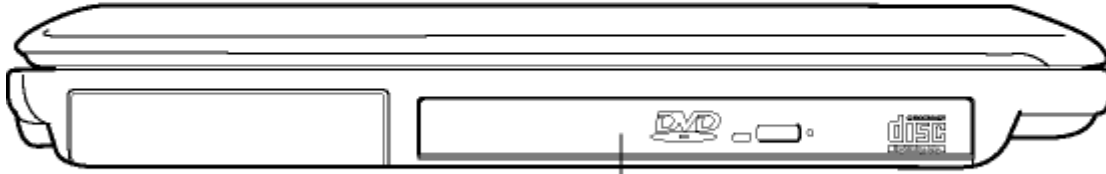
# Front with display open



# Front with display closed

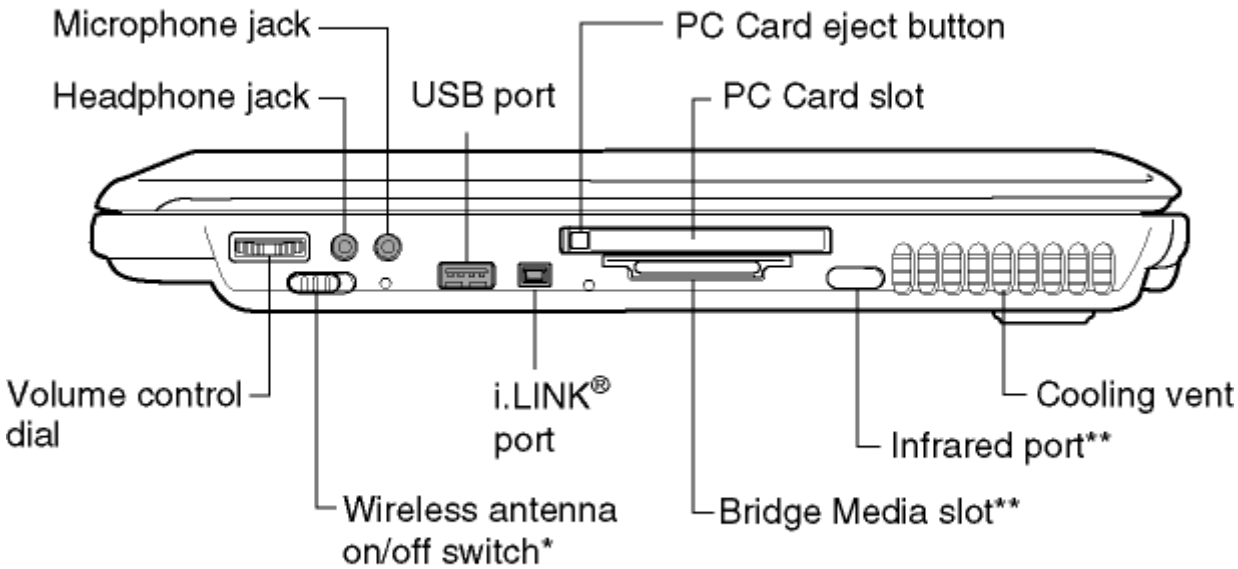


# Left side



DVD-ROM or multi-function  
sample drive shown

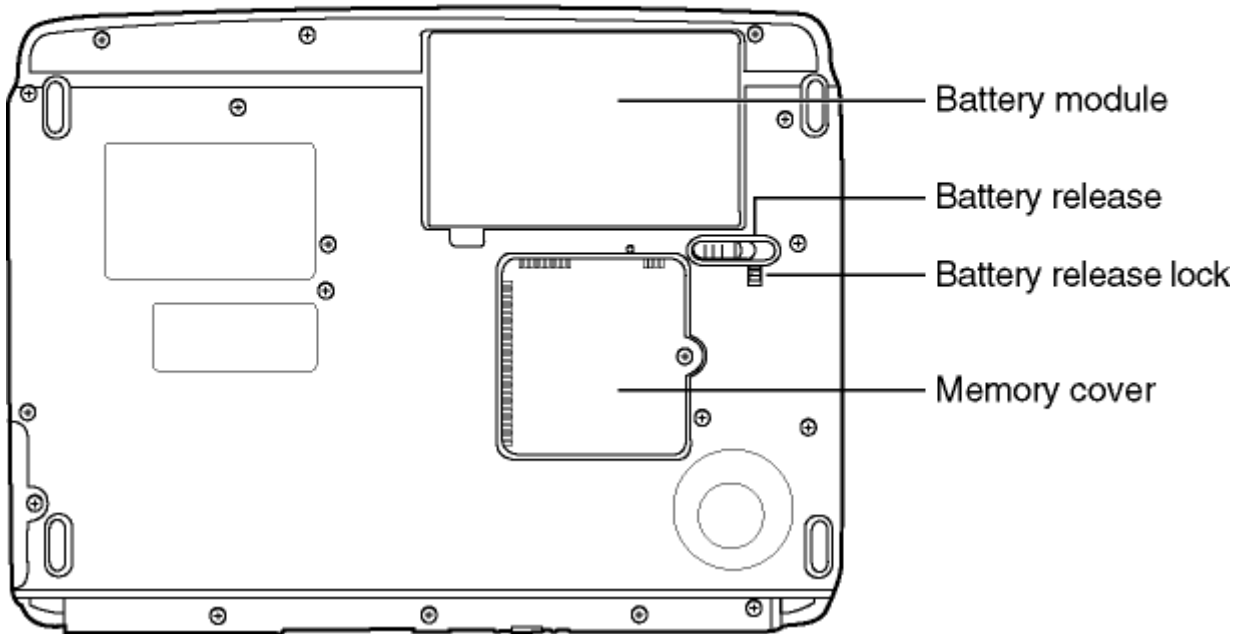
# Right side



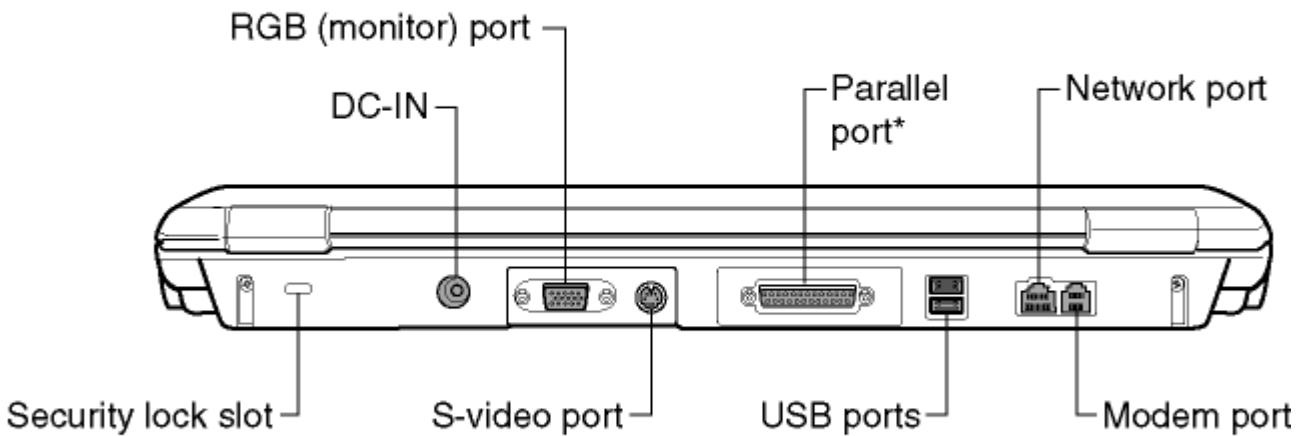
\*Functional only on systems with wireless module installed.

\*\*Available on certain models.

# Underside



# Back



\*Available on certain models