

**Satellite P35 Series<sup>1</sup>**

Model Name	Description	Part Number	UPC Code
Satellite P35-S605	Intel® Pentium® 4 Processor 552, 17.0" TruBrite™, 512MB, 100GB (5400 RPM), ATI MOBILITY™ RADEON® Integrated Graphics, 8x DVD-SuperMulti (Double Layer), 802.11b/g, TV-Out, i.LINK™1394, Bridge Media Adaptor, CD Play/Instant Play button, Microsoft Windows XP Home (SP2), 1-year Limited Warranty	PSP30U-21V001	032017367838
Satellite P35-S6051	Intel® Pentium® 4 Processor 552, 17.0" TruBrite™, 512MB, 100GB (5400 RPM), ATI MOBILITY™ RADEON® Integrated Graphics, 8x DVD-SuperMulti (Double Layer), 802.11b/g, TV-Out, i.LINK™1394, Bridge Media Adaptor, CD Play/Instant Play button, Microsoft Windows XP Pro (SP2), 1-year Limited Warranty	PSP30U-21V006	032017367845

**System Characteristics<sup>2</sup>**

**Operating System<sup>3</sup>**

- Microsoft® Windows® XP Home (SP2)
- Microsoft® Windows® XP Professional (SP2)

**Processor & Chipset<sup>4</sup>**

- Mobile Intel® Pentium® 4 Processor 552 supporting HT Technology [3.46GHz, 1MB L2 cache, 533MHz Front Side Bus],
- ATI MOBILITY™ RADEON® 9000 IGP

**Memory<sup>5</sup>**

- 512MB (Both slots may be occupied)
- 256MB (Min) /2048MB (Max) PC2700 DDR333 SDRAM 2.5V SODIMM Memory; configurable from 256MB to 2048MB.

**Mass Storage**

**Hard Drives<sup>6</sup>:**

- 100GB (5400 RPM). Enhanced IDE (ATA-6) hard disk drive; 9.5mm height; user removable

**Optical Disk Drive:**

- Fixed Bay 8x DVD Super Multi Drive Double Layer, 5.25" EIDE, 12.7mm height. Maximum Speed CD-ROM (24x read), CD-R (24x write), CD-RW (10x write), DVD-ROM (8x read), DVD-R (8x write), DVD-RW (4x write), DVD+R (8x write), DVD+RW (4x write), DVD-RAM (3x write), DVD+R [Double Layer] (2.4x write)

**Optional Floppy Disk Drive**

- External USB Floppy Drive, 3.5", 1.44MB

**Display<sup>7</sup>**

- 17" diagonal widescreen TruBrite™ TFT active-matrix LCD display at 1440x900 native resolution (WXGA)
- Maximum Brightness 200 Cd/m<sup>2</sup>
- Brightness Control

**Graphics<sup>8</sup>**

- ATI MOBILITY™ RADEON® 9000 IGP with 128MB DDR shared memory

**Sound**

- Realtek ALC250
- 16-bit stereo
- Built-in harman/kardon® stereo speakers
- 3D Sound Support, Direct 3D Sound; DirectSound, MIDI (playback), Direct Music
- Sound Volume Control Dial

**Input Devices**

- Keyboard: Full sized 85 keys with 12 function keys, 2.7mm key stroke, 6mm height; Dedicated Windows® & Application keys support; HotKey function
- Pointing Device: Touch Pad
- Buttons: CD Control Function

**Expandability**

- 2 Expansion memory slots (including Main Memory). Both slots may be occupied.
- 1 PC Card slot support 1 Type II, PCMCIA R2.01, PC Card16, CardBus
- Bridge Media Adaptor (Secure Digital®, Memory Stick™, Memory Stick Pro™, SmartMedia™, Multi Media Card, xD-Picture [shared slots])

**Communications**

- Integrated V.92 modem<sup>9</sup>
- Realtek - 10/100Base-TX Ethernet
- Integrated Atheros® 802.11b/g wireless-LAN supporting Atheros SuperG™ technology<sup>10</sup>

**Ports**

- RGB (monitor) port
- TV-Out port (S-Video)
- 3 Universal Serial Bus (USB) port (v2.0)
- External Microphone jack
- Headphone jack
- RJ-45 LAN port
- RJ-11 modem port
- i.LINK™ IEEE 1394

**Physical Description**

- Dimensions (WxDxH Front/H Rear): 16.5"(420mm) x 11.5"(293mm) x 1.57" (40mm) /1.85" (47mm)
- Weight<sup>11</sup>: Starting at 9.49 lbs (4.3kg) depending upon configuration
- LED Indicators: DC-In, Power, Primary Battery, Hard Drive, CD/DVD ROM, Wireless indicator, Caps Lock, Arrow Lock, Numeric Lock, Main Battery Charging Status, Sleep Suspend Mode, Secure Digital Card, Multiple Digital Media Card Slot.

**Power Supply**

- 120W (19V 6.3A) Auto-sensing external AC Adapter, 100-240V / 50-60Hz input
- Weight: 1.43lbs.(650g)
- Dimensions (WxDxH): 5.91" (150mm) x 2.56" (65mm) x 1.42" (36mm)

**Battery<sup>12</sup>**

- 12-cell (6450mAh) rechargeable, removable Lithium Ion (Li-Ion) battery pack
- Weight: starting at 1.49 lbs (675g)
- Dimensions (WxDxH): 10.7" (271mm) x 2.83" (72mm) x 1.04" (26mm)
- Battery Life: Up to 2.0 hours (measured by Winstone™) (12-cell battery)<sup>13</sup>
- Recharge Time
  - Main Battery Off/On – up to 4.0 hrs/up to 12.0 hrs

**Security**

- Slot for cable lock, HDD, memory (by screw only); User Power-on password, Supervisor Password, Screen Blank (by Hotkey), Screen Saver (by software).

**BIOS**

- ACPI v1.0b, PNP v1.0a, VESA v2.0, DPMS, DDC, SM BIOS v2.31, PCI BIOS v2.2 support

**Software<sup>14</sup>**

**Toshiba Software and Utilities**

- Toshiba ConfigFree™
- Toshiba Custom Utilities
- Electronic User's Guide

**Third-party Software**

- Microsoft® Works
- Microsoft® Office OneNote™ 2003
- WinDVD Creator
- WinDVD SRS® TruSurround XT® Technology with Virtual Surround with Dialog Clarity (SRS® TruSurround XT® Technology features:

## TOSHIBA

TruSurround, SRS Dialog Clarity FOCUS, & TruBass)

- Sonic® Solutions Drive Letter Access (DLA)
- Sonic® Solutions RecordNow!™ Basic
- ArcSoft ShowBiz® DVD Version 1.3
- Intuit® Quicken® New User Edition 2004
- Norton AntiVirus™ 2004 – w/3-Month Subscription
- Adobe® Acrobat® Reader
- AOL® (3 –Month offer)<sup>15</sup>
- AT&T® Worldnet® Service – 1 Month FREE<sup>16</sup>
- QuickTime™ Player
- RealOne™ Player 8 Basic
- Microsoft® Internet Explorer
- Napster® digital music service (30-day trial)

### Environmental Specifications

	Operating	Non-Operating
<b>Temperature</b> <sup>17</sup>	5° to 30°C (41° to 86°F)	-20° to 65°C (-4° to 149°F)
<b>Thermal Gradient</b>	15°C per hour maximum	20°C per hour maximum
<b>Relative Humidity</b>	20% to 80%	10% to 95%
<b>Altitude (relative to sea level)</b>	0 to 3000 meters	0 to 12,000 meters
<b>Shock</b>	10G	60G
<b>Vibration</b>	0.5G	1.0G

### Limited Warranty<sup>18</sup>

#### 1-year Standard, Limited Warranty

#### Limited Warranty Upgrades and Extensions

Toshiba offers many different limited warranty extensions and enhanced

### Subject to Change

While Toshiba has made every effort at the time of publication to ensure the accuracy of the information provided herein, product specifications, configurations, prices, system/component/options availability are all subject to change without notice. For the most up-to-date product information about your computer, or to stay current with the various computer software or hardware options, visit Toshiba's Web site at <http://www.pcsupport.toshiba.com>.

### Return Policy

Notwithstanding anything to the contrary in any third party License Agreement or product documentation supplied with your PC, Toshiba America Information Systems, Inc. ("TAIS") does not accept the return of component parts, or bundled software, that have been removed from the PC system. Pro-rata refunds on individual PC components or bundled software, including the operating system, will not be granted. If you wish to return a complete PC system, contact the TAIS dealer where you purchased the product, and comply with the dealer's standard return policies and procedures.

Toshiba America Information Systems, Incorporated ("TAIS")

9740 Irvine Boulevard

Irvine CA 92618

ToshibaDirect website: <http://www.toshibadirect.com>

TAIS website for resellers: <http://sell.toshiba.com>

TAIS PC Support website: <http://pcsupport.toshiba.com>

Portégé, Satellite, Tecra, Slim SelectBay and SystemGuard are registered trademarks and ConfigFree is a trademark of Toshiba America Information Systems, Inc. and/or Toshiba Corporation. Intel, Celeron, Centrino, Intel Inside, Pentium, the Intel Centrino logo, and the Intel Inside logo are trademarks or registered trademarks of Intel Corporation or its subsidiaries in the United States and other countries. Microsoft and Windows are registered trademarks and OneNote is a trademark of Microsoft Corporation in the United States and/or other countries. Winstone® is a registered trademark and BatteryMark™ is a trademark of Ziff Davis Publishing Holdings Inc. in the U.S. and other countries. MobileMark™ is a trademark of the Business Applications Performance Corporation. Wi-Fi is a registered certification mark of the Wi-Fi Alliance. The Bluetooth word mark and logos are owned by the Bluetooth SIG, Inc. and any use of such marks by Toshiba is under license. NVIDIA and GeForce are registered trademarks or trademarks of NVIDIA Corporation in the United States and/or other countries. All other trademarks are the property of their respective owners.

<sup>1</sup> **Product Series Legal Footnote.** The product specifications and configuration information are designed for a product Series. Your particular model may not have all the features and specifications listed or illustrated.

**Product Offering Legal Footnote.** Toshiba America Information Systems, Inc. reserves the right to modify or withdraw this offer at anytime without notice.

<sup>2</sup> **Build-to-Order/Configure-to-Order.** Certain notebook chassis are designed to accommodate all possible configurations for an entire product series. Your select model may not have all the features and specifications corresponding to all of the icons or switches shown on the notebook chassis, unless you have selected all those features. Configuring (customization) of your notebook takes an additional 12 to 15 working days.

<sup>3</sup> **Operating System.** Certain Microsoft® software product(s) included with this computer may use technological measures for copy protection. IN SUCH

service plans such as SystemGuard®, At-Home Repair, and Service Express to provide additional support to your notebook PC. For a full description and complete list of programs, please visit

[www.accessories.toshiba.com](http://www.accessories.toshiba.com)

## Accessories

### Memory

Part Number	Description
KTT3311/512	Kingston PC2100/PC2700, 512MB DDR
KTT3311/1G	Kingston PC2100/PC2700, 1GB DDR

### Power

Part Number	Description
PA3290U-2ACA	Toshiba 120W Global AC Adapter
PA3383U-1BRS	Toshiba Primary Li Ion Battery (12 cell)

### Security & Protection

Part Number	Description
NWDEFCL	Targus-Noteworthy DEFCON CL Cable Lock
PA1370U-1ETC	Toshiba Keyboard Protector

### Storage & Back-up

Part Number	Description
PA3109U-1FDD	Toshiba USB Floppy Disk Drive Kit

### Other

Part Number	Description
PA3455U-1BTM	Toshiba Bluetooth V2.0 + EDR USB Adapter

For additional and most updated accessories, please visit

[www.accessories.toshiba.com](http://www.accessories.toshiba.com)

EVENT, YOU WILL NOT BE ABLE TO USE THE PRODUCT IF YOU DO NOT FULLY COMPLY WITH THE PRODUCT ACTIVATION PROCEDURES. Product activation procedures and Microsoft's privacy policy will be detailed during initial launch of the product, or upon certain reinstallations of the software product(s) or reconfigurations of the computer, and may be completed by Internet or telephone (toll charges may apply). Some software may differ from its retail version (if available), and may not include user manuals or all program functionality.

#### <sup>4</sup> **Processor (Central Processing Unit).**

CPU performance in your computer product may vary from specifications under the following conditions:

1. use of certain external peripheral products
2. use of battery power instead of AC power
3. use of certain multimedia, computer generated graphics or video applications
4. use of standard telephone lines or low speed network connections
5. use of complex modeling software, such as high end computer aided design applications
6. use of several applications or functionalities simultaneously
7. use of computer in areas with low air pressure (high altitude >1,000 meters or >3,280 feet above sea level)
8. use of computer at temperatures outside the range of 5°C to 30°C (41°F to 86° F) or >25°C (77°F) at high altitude (all temperature references are approximate and may vary depending on the specific computer model – please visit the Toshiba website at [www.pcsupport.toshiba.com](http://www.pcsupport.toshiba.com) for details).

CPU performance may also vary from specifications due to design configuration.

Under some conditions, your computer product may automatically shut-down. This is a normal protective feature designed to reduce the risk of lost data or damage to the product when used outside recommended conditions. To avoid risk of lost data, always make back-up copies of data by periodically storing it on an external storage medium. Use your computer product only under recommended conditions. Read additional restrictions under "Environmental Conditions" in your product "Detailed Specs." Contact Toshiba Technical Service and Support for more information.

<sup>5</sup> **Memory (Main System).** Part of the main system memory may be used by the graphics system for graphics performance and therefore reduce the amount of main system memory available for other computing activities. The amount of main system memory allocated to support graphics may vary depending on the graphics system, applications utilized, system memory size and other factors.

<sup>6</sup> **Hard Disk Drive (HDD) Capacity.** 1 Gigabyte (GB) means  $1000 \times 1000 \times 1000 = 1,000,000,000$  bytes using powers of 10. The computer operating system, however, reports storage capacity using powers of 2 for the definition of  $1 \text{ GB} = 1024 \times 1024 \times 1024 = 1,073,741,824$  bytes, and therefore may show less storage capacity. Available storage capacity will also be less if the product includes one or more pre-installed operating systems, such as Microsoft Operating System and/or pre-installed software applications, or media content. Actual formatted capacity may vary.

<sup>7</sup> **Display.** Small bright dots may appear on your screen display when you turn on your PC. Your display contains an extremely large number of thin-film transistors (TFT) and is manufactured using high-precision technology. Any small bright dots that may appear on your display are an intrinsic characteristic of the TFT manufacturing technology. Over a period of time, and depending on the usage of the computer, the brightness of the screen will deteriorate. This is also an intrinsic characteristic of the screen technology.

When the computer is operated on battery power, the screen will dim and you may not be able to increase the brightness of the screen while on battery power.

<sup>8</sup> **Graphics (Graphics Processing Unit).** GPU performance may vary depending on product model, design configuration, applications, power management settings and features utilized. GPU performance is only optimized when operating in AC power mode and may decrease considerably when operating in battery power mode.

<sup>9</sup> **Modem Speed.** Due to FCC limitations, speeds of 53 kbps are the maximum permissible transmission rates during download. Actual data transmission speeds will vary depending on line conditions.

<sup>10</sup> **Wireless.** Wireless connectivity and some features may require you to purchase additional software, external hardware or services. Availability of public wireless LAN access points may be limited. The transmission speed over the wireless LAN and the distance over which wireless LAN can reach may vary depending on surrounding electromagnetic environment, obstacles, access point design and configuration, and client design and software/hardware configurations. The actual transmission speed will be lower than the theoretical maximum speed. To use the Atheros SuperAG™ or SuperG™ wireless function, if available, your client and access point must support the corresponding feature. Performance of these functions may vary depending on the format of data transmitted.

<sup>11</sup> **Weight.** Weight may vary depending on product configuration, vendor components, manufacturing variability and options selected.

<sup>12</sup> **Battery Life.** Battery life may vary considerably from specifications depending on product model, configuration, applications, power management settings and features utilized, as well as the natural performance variations produced by the design of individual components. Published battery life numbers are achieved on select models and configurations tested by Toshiba at the time of publication. See "Detailed Specs" for specific battery measurement test. Recharge time varies depending on usage. Battery may not charge while computer is consuming full power. After a period of time, the battery will lose its ability to perform at maximum capacity and will need to be replaced. This is normal for all batteries. To purchase a new battery pack, see the accessories information that shipped with your computer or visit the Toshiba web site at [www.accessories.toshiba.com](http://www.accessories.toshiba.com).

#### <sup>13</sup> **Battery Life - Business Winstone® BatteryMark™ Version 1.0.**

These models achieved the battery life times shown using Ziff Davis Media Inc.'s Business Winstone® 2002 BatteryMark™ Version 1.0. These tests were performed without independent verification by the VeriTest testing division of Lionbridge Technologies, Inc. ("VeriTest"). Neither Ziff Davis Media Inc. nor VeriTest makes any representations or warranties as to the results of the tests. Winstone® is a registered trademark and BatteryMark™ is a trademark of Ziff Davis Publishing Holdings Inc. in the U.S. and other countries. Copyright 2002 Ziff Davis Media Inc. All Rights Reserved. All products used in the tests were shipping versions available to the general public. The battery life results were achieved running the Business Winstone® 2002 BatteryMark™ Version 1.0 on the following system parameters. System parameters were set according to Ziff Davis Media Inc.'s recommendations.

**Business Winstone 2002 BatteryMark Version 1.0" Score**

Battery Life	Catalog Spec (1st) (1st+2nd)	2H	
	Number of Conditioning Phase	1	
	Life Test Run	3	
A	CPU Name	Mobile Intel® Pentium® 4 processor 552 supporting Hyper-Threading Technology	
	Processor info	speed	3.46GHz
		number of processors	1
	amount of RAM	512MB+512MB	
	Amount of secondary RAM cache	1MB	
B	Battery	type(1st)	Li-Ion
			<b>14.8V x 6450mAh</b>
		model number(1st)	PA3383U-1BRS/BAS
		type(2nd)	-
		model number(2nd)	-
		number of batteries	1
C	Graphics	ATI M11P(External GFX)	
	amount and type of RAM	64MB	
	graphics driver name and version	6.14.10.6458	
	graphics resolution and color depth, refresh rate	1440x900, 32bit, 60Hz	
D	hard disk capacity	100G (5400rpm)	
	hard disk file system & transfer mode	Enhanced IDE	
	hard disk controller model	ATI IXP150	
	size of hardware cache if any	-	
E	operating system version, service pack	Windows XP Professional Service Pack 2	
	other special conditions	N/A	
F	BIOS version	1.00A	
	Power management setting	see another sheet	

		Business Winstone 2002 BatteryMark Version 1.0	
		Portability P4 3.46GHz	
Power Save Mode	Cooling Method	MaximumPerformance	
	Intel SpeedStep(R) Technology	-	
	Processor speed	100%-75%	3
		74%-50%	3
		49%-25%	3
		24%-0%	3
	Monitor brightness (* See Notes)	100%-75%	4
		74%-50%	4
		49%-25%	4
		24%-0%	4
	Turn off monitor	100%-75%	NEVER
		74%-50%	NEVER
		49%-25%	NEVER
		24%-0%	NEVER
	Turn off hard disks	100%-75%	3min
		74%-50%	3min
		49%-25%	3min
		24%-0%	3min
	System standby	100%-75%	NEVER
		74%-50%	NEVER
49%-25%		NEVER	
24%-0%		NEVER	
System Hibernate	100%-75%	NEVER	
	74%-50%	NEVER	
	49%-25%	NEVER	
	24%-0%	NEVER	
System Power Mode	When I press the power button	Power off	
	When I close the lid	Hibernate	
	Prompt for password when computer goes off Standby or Hibernation	Off	
Alarm	Activate low battery alarm when power level reaches	Off	
	Low Battrey Alarm Action	Sound alarm	Off
		Display message	Off
		When the alarm goes off,the computer will:	Off
		When the alarm occurs, run this program:	Off
	Activate critical battery alarm when power level reaches	Off	
	Critical Battrey Alarm Action	Sound alarm	Off
		Display message	Off
When the alarm goes off,the computer will:		Off	
When the alarm occurs, run this program:		Off	
Hibernate	Enable Hibernate Support	On	

<sup>14</sup> **Software.** Some software may differ from its retail version (if available), and may not include user manuals or all program functionality.

Certain Microsoft® software product(s) included with this computer may use technological measures for copy protection. IN SUCH EVENT, YOU WILL NOT BE ABLE TO USE THE PRODUCT IF YOU DO NOT FULLY COMPLY WITH THE PRODUCT ACTIVATION PROCEDURES. Product activation procedures and Microsoft's privacy policy will be detailed during initial launch of the product, or upon certain reinstallations of the software product(s) or reconfigurations of the computer, and may be completed by Internet or telephone (toll charges may apply).

<sup>15</sup> **AOL OFFER DETAILS:** Availability may be limited, especially during peak times. TO AVOID BEING CHARGED A MONTHLY MEMBERSHIP FEE, SIMPLY CANCEL BEFORE THE THREE-MONTH PROMOTIONAL PERIOD ENDS. Premium services carry surcharges and communication surcharges may apply, including AK, even during promotional period. Members may incur telephone charges on their phone bill, depending on their location and calling plan, even during promotional period. Available to new AOL members in the United States, age 18 or older; a major credit card or checking account is

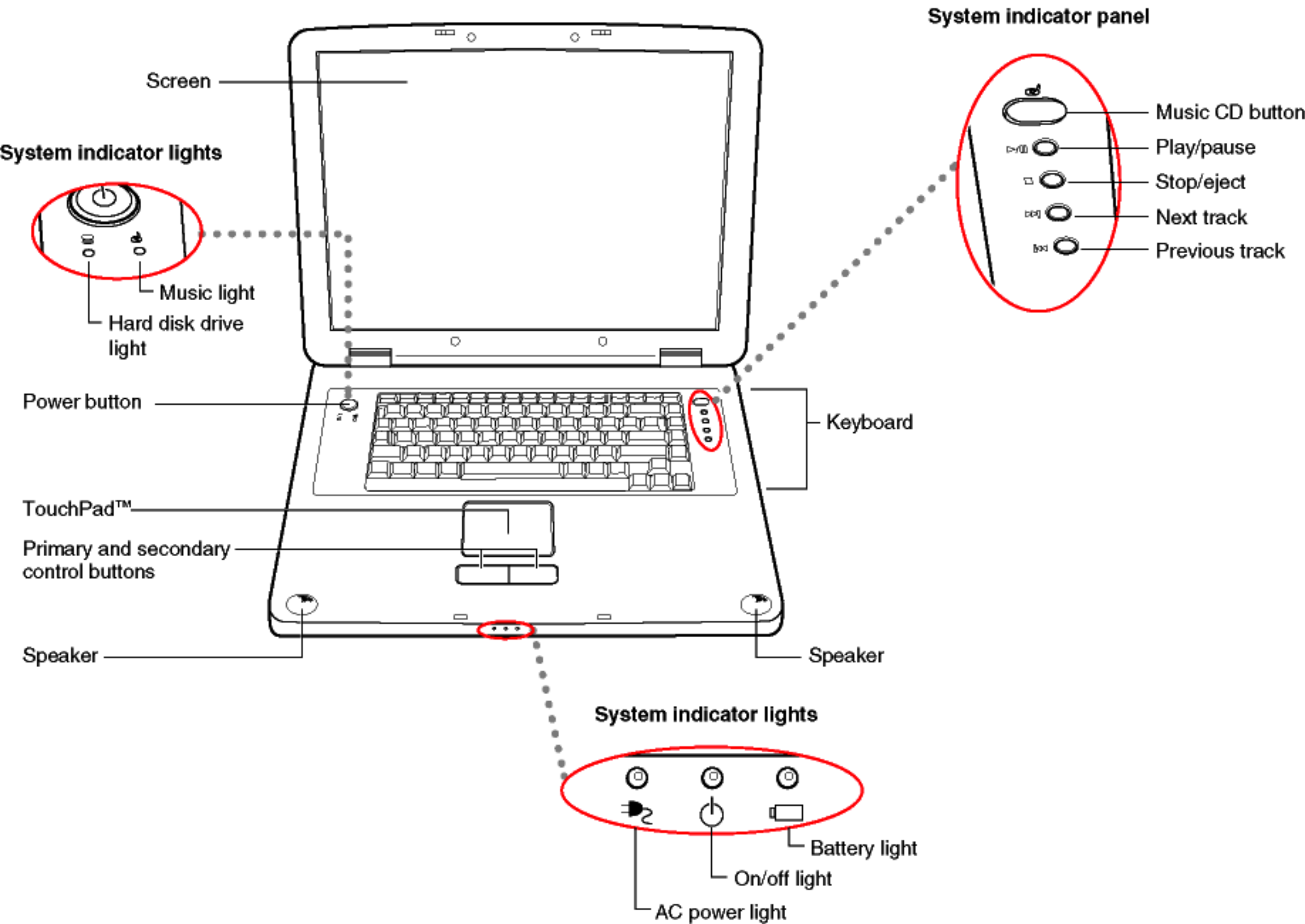
required.

<sup>16</sup> **AT&T® Worldnet® Service.** Telephone access and other charges and other terms and conditions may apply. Offer available to new customers only.

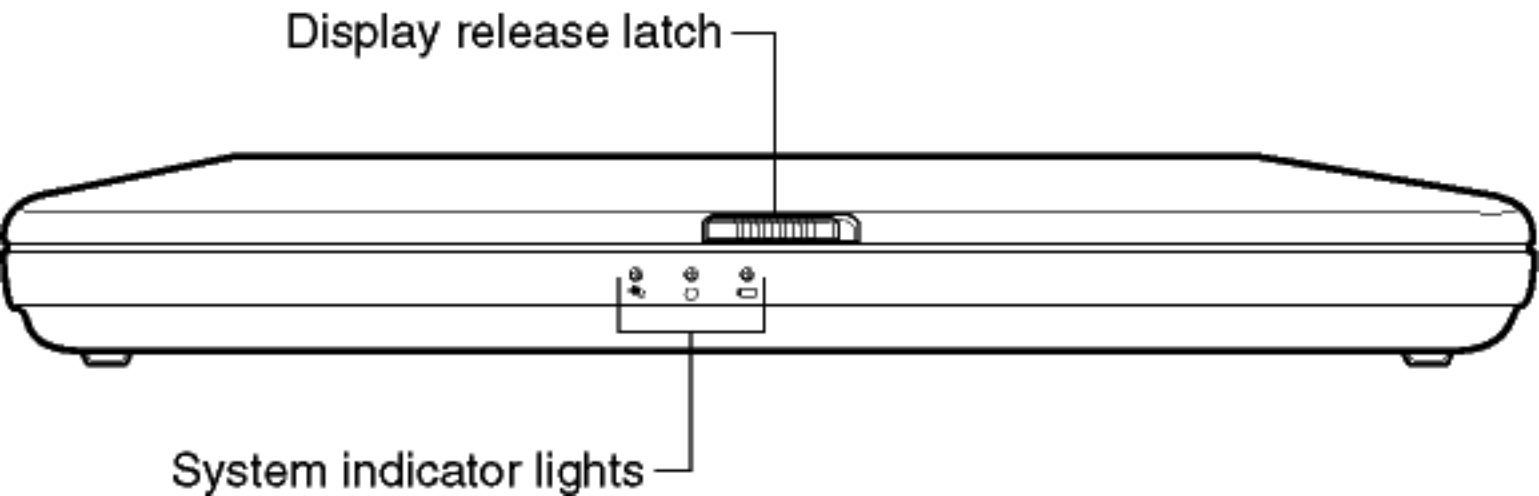
<sup>17</sup> **Temperature (Environmental) Conditions.** All temperature references are approximate and the performance of your computer may vary from specifications even when operating within the recommended temperature range.

<sup>18</sup> **Limited Warranty.** Toshiba's standard limited warranty, extended warranty and service upgrade terms and conditions are available at <http://www.warranty.toshiba.com>.

# Front with display open



# Front with display closed



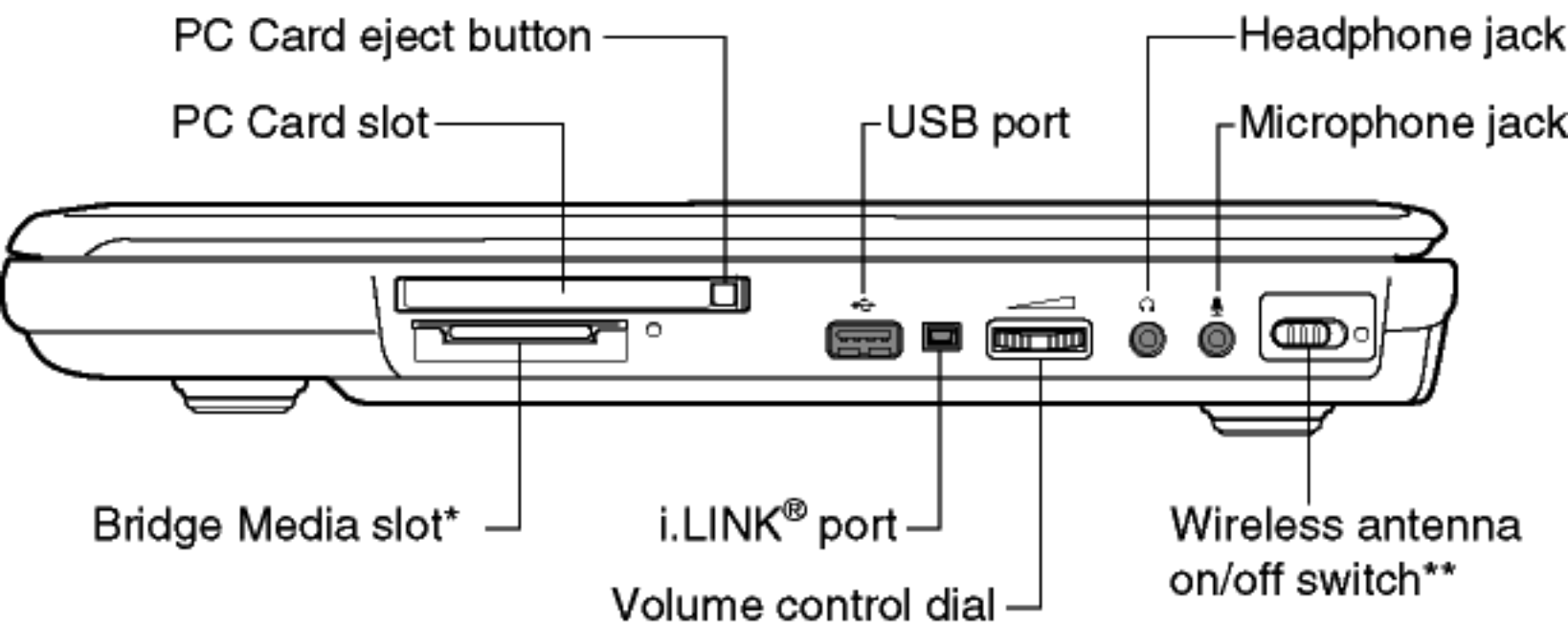


# Left side



DVD-ROM or multi-function  
sample drive shown

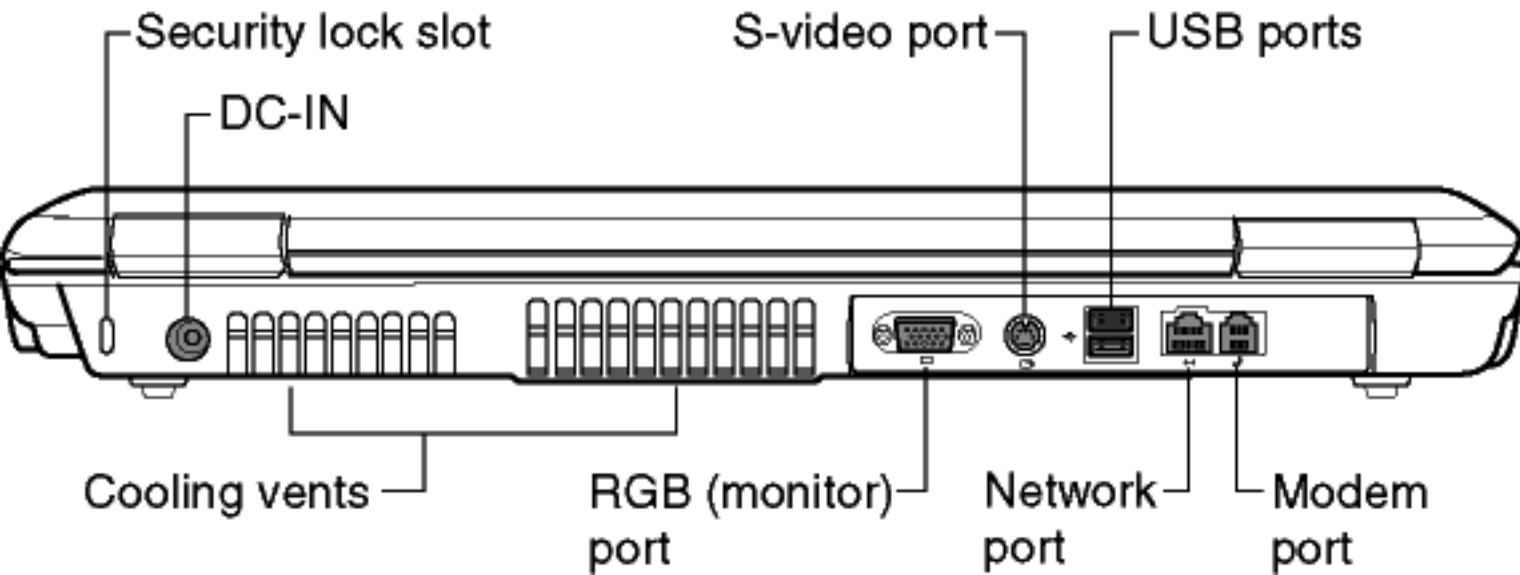
# Right side



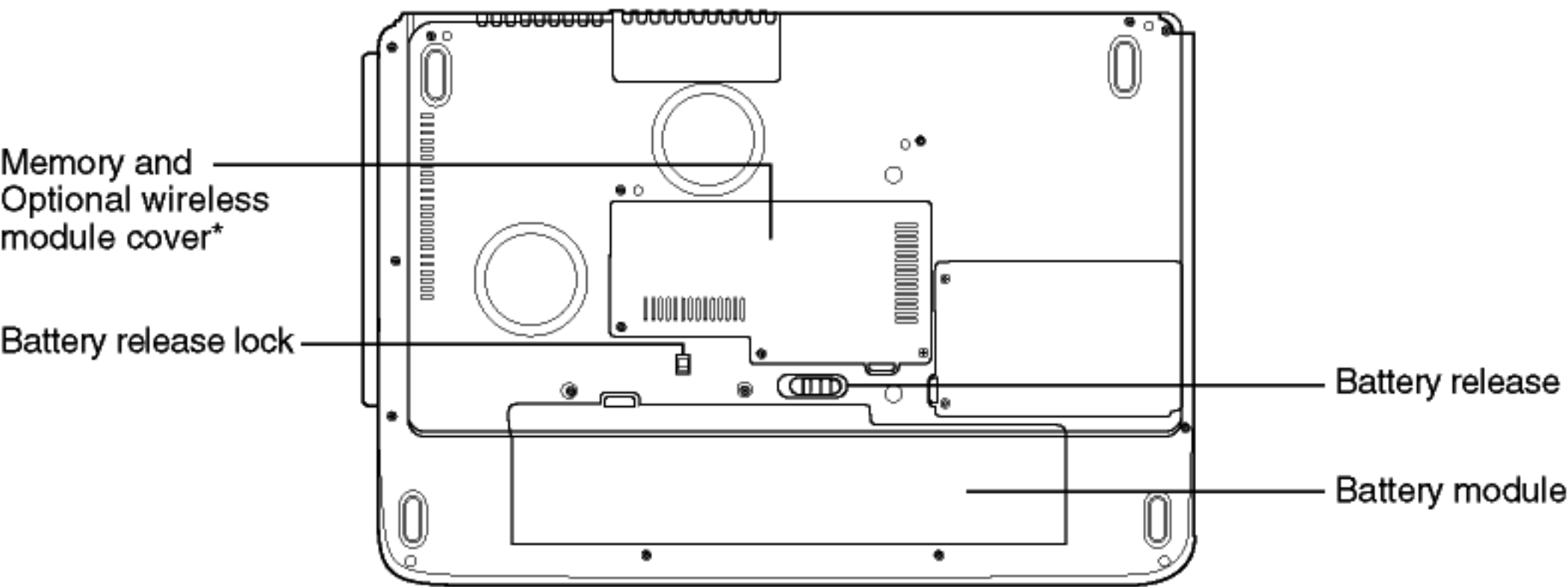
\*Available on certain models.

\*\*Functional only on systems with wireless module installed.

# Back



# Underside



\*Functional only on systems with wireless module installed.