

Qosmio G35-AV600 Detailed Product Specification¹

Model Name	Description	Part Number	UPC
G35-AV600	Genuine Windows® XP Media Center Edition 2005, Intel® Core™ Duo Processor T2400, 1024MB (2x512MB) DDR2 SDRAM, 160GB HDD (2x80GB HDD) (5400RPM), 17" WXGA Ultimate TruBrite™, DVD SuperMulti Double Layer, 802.11a/b/g, NVIDIA® GeForce Go 7300 256MB GDDR2 SDRAM VRAM, Bluetooth V. 2.0 + EDR, TV Tuner, Toshiba QosmioPlayer™	PQG30U-00P006	032017522909

Operating System²

- Genuine Windows® XP Media Center Edition 2005
- Windows Vista™ Capable
- TOSHIBA QosmioPlayer³
 - Quick access for CD, DVD, and TV watching
 - Pause live TV for 1 to 5 hours (depending on video quality selected)

Processor and Chipset⁴

Intel® Centrino® Duo Mobile Technology featuring:

- Intel Core™ Duo Processor T2400 (Dual 1.83GHz)
 - 1.83GHz, 2MB L2, 667MHz FSB
- Mobile Intel 945PM Express Chipset
- Intel PRO/Wireless 3945ABG (802.11a/b/g)

Memory⁵

- Configured with 1024MB DDR2 SDRAM (using two memory modules in dual-channel configuration)
- 256MB(min)/4096MB (max), 2 memory slots using 256MB, 512MB, or 1024MB PC4200 DDR2 533MHz SDRAM, dual-channel support requires two memory modules of same capacity and clockspeed

Hard Disk Drive⁶

- 160GB (5400 rpm) using two Serial-ATA (SATA) hard disk drives; 9.5mm height; 5GB is reserved to support QosmioPlayer features
 - Primary + Secondary drive: 80GB + 80GB
 - 5GB (10GB with RAID) is reserved to support QosmioPlayer features
 - RAID 0 (striping) supported by TOSHIBA RAID Software⁷
 - RAID 1 (mirroring) supported by TOSHIBA RAID Software⁸

Fixed Optical Disk Drive⁹

- DVD SuperMulti (+/-R double layer) drive supporting 11 formats
 - Maximum speed and compatibility: CD-ROM (24x:read), CD-R (24x:write), CD-RW (16x:write), DVD-ROM (8x:read), DVD-R (Single Layer, 8x:write), DVD-R (Double Layer, 2x: write), DVD-RW (4x:write), DVD+R (Single Layer, 8x:write), DVD+R (Double Layer, 2.4x:write), DVD+RW (4x:write), DVD-RAM (5x:write)

Toshiba TV Tuner¹⁰

- Region/Standard - US/NTSC Standard Definition (720x480)
- Parental Control and Closed Caption
- TV Tuner Enhancements: 3D Y/C separator, Digital noise reduction, 10-bit A/D conversion, Time-based correction

Display¹¹

- 17" diagonal widescreen Ultimate TruBrite™ TFT active-matrix LCD display at 1440x900 native resolution (WXGA)
 - Maximum Brightness:
 - When Plugged into AC – Up to 480 Cd/m²

- When in Battery Mode – Up to 220 Cd/m²
 - Color Saturation: 72%
 - Contrast Ratio: 700:1
 - Horizontal Viewing Angle: 140 Degree
 - Vertical Viewing Angle: 120 Degree
- QosmioEngine digital video processing system

Graphics¹²

- PCI-Express™ x16 graphics subsystem, featuring:
- NVIDIA GeForce™ Go 7300 with 256MB GDDR2 discrete graphics memory

Sound

- 1-bit Digital Amplifier
- Built-in harman/kardon® Bass Reflex stereo speakers
- Dolby Home Theater Digital audio enhancements¹³
- 16-bit stereo software sound
 - Supports 3D Sound, Direct 3D Sound, DirectSound, Direct Music, MIDI (playback), High Definition Audio
- Sound Volume Control Dial
- Built-in microphone

Input Devices

- Keyboard
 - 85 key US keyboard
 - Hot Key Functions (Fn)
 - Windows Key Function
 - Application Key Function
- Dual Mode Pad pointing device
- Remote Control
 - Toshiba QosmioPlayer and Microsoft Windows Media Center Edition 2005 remote control
 - External USB RC-6 IR Blaster receiver

Communications

- Toshiba V.92 software modem¹⁴
- Intel PRO/1000 VE Network Connection - 10/100/1000 Base-TX Ethernet
- Integrated Intel Pro/Wireless Network Connection 3945ABG (802.11a/b/g)¹⁵
- Bluetooth® version 2.0 plus Enhanced Data Rate (EDR) with Toshiba Bluetooth driver software
- Consumer Infrared for remote control

Expandability

- 2 main memory slots. Both slots may be occupied.
- 1 PC Card slot support 1 Type II, PCMCIA R2.01, PC Card16, CardBus
- ExpressCard slot supporting ExpressCard/34 and ExpressCard/54
- 5-in-1 Bridge Media Adapter
 - Secure Digital, Memory Stick™, Memory Stick PRO™, Multi Media Card, xD Picture Card [shared slots]
 - Secure Digital slot supports SDIO

Ports

- Video
 - RGB (monitor) output port
 - S-Video output port
 - Component output port
 - Via included D-connector cable
 - Composite input port (shared with stereo input)
 - Via included 3-in-1 cable
 - S-Video input port
- Audio
 - Stereo input port (shared with composite video input)
 - Via included 3-in-1 cable
 - S/P DIF output port (shared with headphone port)
 - Microphone input port
 - Headphone output port
- Data
 - i.LINK(tm) IEEE-1394
 - Universal Serial Bus (USB v2.0) – 4 ports
 - RJ-45 LAN port
 - RJ-11 modem port

Physical Description for this Product Series

- Dimensions (WxDxH Front/H Rear): 16.0" (406.0mm) x 11.6" (295mm) x 1.79" (45.5mm)[F]/2.11" (53.5mm)[R] without feet
- Weight: Starting at 10.1 lbs (4.5 kg) depending upon configuration¹⁶
- Physical Security
 - Slot for cable lock; 1 slot
 - Items protected by a screw: 1 screw
 - Fingerprint Reader (includes software for password and identity management)

Power Supply

- 120W (15V x 8A) Auto sensing external AC Adapter, 100-240V / 50-60Hz frequency (Universal) input.
- Dimensions (WxDxH): 2.17" (55.1mm) x 1.73" (43.9mm) x 5.71" (145mm)
- Weight: starting at 1.43 lbs (0.6 kg)

Battery¹⁷

- 6-cell (4700mAh) rechargeable, removable Lithium Ion (Li-Ion) battery pack
- Dimensions (WxDxH): 5.55" (140.0mm) x 13.86" (98.1mm) x 0.80" (20.3mm)
- Weight: starting at 0.76 lbs (0.3 kg)
- Battery Life (measured by MobileMark™)¹⁸
 - Included 6-cell battery: 2 hours, 09 minutes
 - Optional 9-cell battery: 3 hours, 18 minutes
- Recharge Time
 - Main Battery Off/On – approximately 3.0 hrs/approximately 3.0 to 3.5 hrs

BIOS

- ACPI v1.0b, VESA v2.0, DPMS, DDC, SM BIOS v2.3, PCI BIOS v2.3 support, PCI BIOS v.2.1

Software¹⁹

- Toshiba Software and Utilities
 - TOSHIBA ConfigFree®
 - TOSHIBA Custom Utilities
 - Electronic User's Guide
- Third-party Software
 - Microsoft Office® OneNote® 2003
 - Microsoft Works® Version 8.5
 - Intuit® Quicken® New User Edition 2005
 - Sun® Java™ 2 Runtime Environment
 - Adobe® Acrobat® Reader 7.0
 - InterVideo® WinDVD® 5
 - InterVideo® WinDVD Creator 2 Platinum
 - Sonic Solutions® PrimeTime™

- Sonic Solutions® RecordNow!™ Basic for Toshiba
- Sonic Solutions® Drive Letter Access™ (DLA)
- Microsoft® Windows Media Player version 10
- Yahoo! Music Engine
- Google Toolbar
- MyYahoo! Toshiba Start Page
- Trial Software
 - Microsoft Office® Student Teacher Edition (30-day trial)
 - McAfee® VirusScan® (30-day trial)
 - McAfee® antiSpyware (30-day trial)
 - McAfee® SpamKiller® (30-day trial)
 - AOL® Internet Service (90-day trial)²⁰

Environmental Specifications

	Operating	Non-operating
Temperature ²¹	5° to 35° C (41° to 95° F)	-20° to 65° C (-4° to 149° F)
Thermal Gradient	15° C per hour (max)	20° C per hour (max)
Relative Humidity (non-condensing)	20% to 80%	10% to 90%
Altitude (relative to sea level)	-60 to 3,000 meters	-60 to 10,000 meters
Shock	1.5	60G
Vibration	0.25G	1.0G

- This product is compatible with European Union Directive 2002/95/EC, Restriction of the use of certain Hazardous Substances in electrical and electronic equipment (RoHS)²², restricting use of lead, cadmium, mercury, hexavalent chromium, PBB, and PBDE.

QOSMIO – 1 YEAR STANDARD LIMITED WARRANTY + AT-HOME REPAIR²³

Service Upgrades and Extensions

Toshiba offers many different enhanced services such as SystemGuard®, At-Home Repair, and Service Express to provide additional support to your notebook PC. For a full description and complete list of programs, please visit www.pcsupport.toshiba.com.

Recommended Services

Extended Service Plan

Provides an extended service plan for up to 4 total years from the original notebook purchase date. On-site service will be provided at customer's home location (excluding weekends and holidays) to perform the necessary hardware repairs.

Part Number	Description
WSN-QEQH2V	2nd Year Extended Service Plan + At-Home Repair
WSN-QEQH3V	2nd/3rd Year Extended Service Plan + At-Home Repair
WSN-QEQH4V	2nd/3rd/4th Year Extended Service Plan + At-Home Repair

SystemGuard Accidental Damage Service²⁴

Provides advanced protection from damage caused from handling. On-site service will be provided at customer's home location (excluding weekends and holidays) to perform the necessary hardware repairs. Extended Service Plan included except with 1 Year plan. SystemGuard coverage must be purchased within the first 30 days of notebook purchase.

Part Number	Description
WSN-QEGH2V	1st/2nd Year + Extended Service Plan + At-Home Repair
WSN-QEGH3V	1st/2nd/3rd Year + Extended Service Plan + At-Home Repair
WSN-QEGH4V	1st/2nd/3rd/4th Year + Extended Service Plan + At-Home Repair

Accessories

For memory compatibility and the most updated accessories, please visit www.accessories.toshiba.com

Memory

Part Number	Description
PA3389U-2M25	Toshiba 256MB DDR2-533 Memory Kit, RoHS
PA3412U-2M51	Toshiba 512MB DDR2-533 Memory Kit, RoHS
PA3411U-2M1G	Toshiba 1GB DDR2-533 Memory Kit, RoHS

Power

Part Number	Description
PA3237U-3ACA	Toshiba 120W Global AC Adapter, RoHS
PA3475U-1BRS	Toshiba Primary Li ION Battery Pack (9 cell), RoHS
PA3091U-1CHG	Toshiba Battery Charger w/Integrated AC Adapter

Security & Protection

Part Number	Description
PA1370U-1ETC	Toshiba Keyboard Protector

Wireless/Bluetooth

Part Number	Description
PA1381U-1ETC	Toshiba Wireless Audio Headphone with Bluetooth Technology
PA1380U-1NMS	Toshiba Wireless Travel Mouse with Bluetooth Technology

Subject to Change

While Toshiba has made every effort at the time of publication to ensure the accuracy of the information provided herein, product specifications, configurations, prices, system/component/options availability are all subject to change without notice. For the most up-to-date product information about your computer, or to stay current with the various computer software or hardware options, visit Toshiba's Web site at <http://www.pcsupport.toshiba.com>

Return Policy

Notwithstanding anything to the contrary in any third party License Agreement or product documentation supplied with your PC, Toshiba America Information Systems, Inc. ("TAIS") does not accept the return of component parts, or bundled software, that have been removed from the PC system. Pro-rata refunds on individual PC components or bundled software, including the operating system, will not be granted. If you wish to return a complete PC system, contact the TAIS dealer where you purchased the product, and comply with the dealer's standard return policies and procedures.

Toshiba America Information Systems, Incorporated ("TAIS")

9740 Irvine Boulevard

Irvine CA 92618

ToshibaDirect website: <http://www.toshibadirect.com>

TAIS website for resellers: <http://sell.toshiba.com>

TAIS PC Support website: <http://pcsupport.toshiba.com>

Portégé, Satellite, Tecra, SelectBay, ConfigFree and SystemGuard are registered trademarks and Qosmio and EasyGuard are trademarks of Toshiba America Information Systems, Inc. and/or Toshiba Corporation. Intel, Celeron, Centrino, Intel Inside, Pentium, the Intel Centrino logo, and the Intel Inside logo are trademarks or registered trademarks of Intel Corporation or its subsidiaries in the United States and other countries. Microsoft and Windows are registered trademarks and OneNote registered is a trademark of Microsoft Corporation in the United States and/or other countries. Winstone® is a registered trademark and BatteryMark™ is a trademark of Ziff Davis Publishing Holdings Inc. in the U.S. and other countries. MobileMark™ is a trademark of the Business Applications Performance Corporation. Wi-Fi is a registered certification mark of the Wi-Fi Alliance. The Bluetooth word mark and logos are owned by the Bluetooth SIG, Inc. and any use of such marks by Toshiba is under license. NVIDIA and GeForce are registered trademarks or trademarks of NVIDIA Corporation in the United States and/or other countries. All other trademarks are the property of their respective owners.

¹ **Product Series Legal Footnote.** The product specifications and configuration information are designed for a product Series. Your particular model may not have all the features and specifications listed or illustrated. For more detailed information about the features and specifications on your particular model, please visit Toshiba's Web site at pcsupport.toshiba.com.

Product Offering Legal Footnote. Toshiba America Information Systems, Inc. reserves the right to modify or withdraw this offer at anytime without notice.

² **Operating System.** Certain Microsoft® software product(s) included with this computer may use technological measures for copy protection. IN SUCH EVENT, YOU WILL NOT BE ABLE TO USE THE PRODUCT IF YOU DO NOT FULLY COMPLY WITH THE PRODUCT ACTIVATION PROCEDURES. Product activation procedures and Microsoft's privacy policy will be detailed during initial launch of the product, or upon certain reinstallations of the software product(s) or reconfigurations of the computer, and may be completed by Internet or telephone (toll charges may apply).

Some software may differ from its retail version (if available), and may not include user manuals or all program functionality.

Offers. Offer terms, duration and product availability all subject to change without notice

³ **QosmioPlayer:** The QosmioPlayer is not a Windows-based application.

⁴ **Processor (Central Processing Unit).**

CPU performance in your computer product may vary from specifications under the following conditions:

1. use of certain external peripheral products
2. use of battery power instead of AC power
3. use of certain multimedia, computer generated graphics or video applications
4. use of standard telephone lines or low speed network connections
5. use of complex modeling software, such as high end computer aided design applications
6. use of several applications or functionalities simultaneously
7. use of computer in areas with low air pressure (high altitude >1,000 meters or >3,280 feet above sea level)
8. use of computer at temperatures outside the range of 5°C to 30°C (41°F to 86° F) or >25°C (77°F) at high altitude (all temperature references are approximate and may vary depending on the specific computer model – please visit the Toshiba website at www.pcsupport.toshiba.com for details).

CPU performance may also vary from specifications due to design configuration.

Under some conditions, your computer product may automatically shut-down. This is a normal protective feature designed to reduce the risk of lost data or damage to the product when used outside recommended conditions. To avoid risk of lost data, always make back-up copies of data by periodically storing it on an external storage medium. Use your computer product only under recommended conditions. Read additional restrictions under "Environmental Conditions" in your product "Detailed Specs." Contact Toshiba Technical Service and Support for more information.

⁵ **Memory (Main System).** Part of the main system memory may be used by the graphics system for graphics performance and therefore reduce the amount of main system memory available for other computing activities. The amount of main system memory allocated to support graphics may vary depending on the graphics system, applications utilized, system memory size and other factors. For PC's configured with 4 GB of system memory, the full system memory space for computing activities will be considerably less and will vary by model and system configuration.

⁶ **Hard Disk Drive (HDD) Capacity.**

1 Gigabyte (GB) means $10^9 = 1,000,000,000$ bytes using powers of 10. The computer operating system, however, reports storage capacity using powers of 2 for the definition of $1 \text{ GB} = 2^{30} = 1,073,741,824$ bytes, and therefore shows less storage capacity. Available storage capacity will also be less if the product includes one or more pre-installed operating systems, such as Microsoft Operating System and/or pre-installed software applications, or media content. Actual formatted capacity may vary.

⁷ **Toshiba RAID:** Toshiba RAID is only supported on Toshiba-certified hard disk drives. Visit Toshiba's website for details.

⁸ **Toshiba RAID:** Toshiba RAID is only supported on Toshiba-certified hard disk drives. Visit Toshiba's website for details.

⁹ **Optical Drive.** Due to manufacturing and quality variations in third party optical media (e.g., CD or DVD) or optical media players/recorders, in certain cases, your Toshiba optical drive may not record on certain optical media that bear the applicable logo, or playback optical media recorded by other PCs or optical media recorders. Additionally, certain optical media recorded on your optical drive may not playback or operate properly on other PCs or optical media players. These problems are not due to any defect in your Toshiba PC or optical drive. Please refer to your PC's product specification for listing of specific format compatibilities.

Copy protection technology may also prevent or limit recording or viewing of certain optical media.

¹⁰ **Qosmio TV Tuner:** TV tuner will function only in the country where the computer was purchased.

¹¹ **Display.** Small bright dots may appear on your screen display when you turn on your PC. Your display contains an extremely large number of thin-film transistors (TFT) and is manufactured using high-precision technology. Any small bright dots that may appear on your display are an intrinsic characteristic of the TFT manufacturing technology. Over a period of time, and depending on the usage of the computer, the brightness of the screen will deteriorate. This is also an intrinsic characteristic of the screen technology.

When the computer is operated on battery power, the screen will dim and you may not be able to increase the brightness of the screen while on battery power.

¹² **Graphics (Graphics Processing Unit).**

GPU performance may vary depending on product model, design configuration, applications, power management settings and features utilized. GPU performance is only optimized when operating in AC power mode and may decrease considerably when operating in battery power mode.

¹³ **Dolby Digital Audio Enhancements.** Dolby Digital audio enhancements are available in the Microsoft Windows operating system only.

¹⁴ **Modem Speed.** Due to FCC limitations, speeds of 53 kbps are the maximum permissible transmission rates during download. Actual data transmission speeds will vary depending on line conditions.

¹⁵ **Wireless.** Wireless connectivity and some features may require you to purchase additional software, external hardware or services. Availability of public wireless LAN access points may be limited. The transmission speed over the wireless LAN and the distance over which wireless LAN can reach may vary depending on surrounding electromagnetic environment, obstacles, access point design and configuration, and client design and software/hardware configurations. The actual transmission speed will be lower than the theoretical maximum speed. To use the Atheros SuperAG™ or SuperG™ wireless function, if available, your client and access point must support the corresponding feature. Performance of these functions may vary depending on the format of data transmitted.

¹⁶ **Weight.** Weight may vary depending on product configuration, vendor components, manufacturing variability and options selected.

¹⁷ **Battery Life.** Battery life may vary considerably from specifications depending on product model, configuration, applications, power management settings and features utilized, as well as the natural performance variations produced by the design of individual components. Published battery life numbers are achieved on select models and configurations tested by Toshiba at the time of publication. See "Detailed Specs" for specific battery measurement test. Recharge time varies depending on usage. Battery may not charge while computer is consuming full power. After a period of time, the battery will lose its ability to perform at maximum capacity and will need to be replaced. This is normal for all batteries. To purchase a new battery pack, see the accessories information that shipped with your computer or visit the Toshiba web site at www.accessories.toshiba.com.

The QosmioPlayer is not a Windows based application. Battery life will be less than when using similar applications in the Windows Operating System

¹⁸ **Battery Life - MobileMark™.** Measured by MobileMark. MobileMark is a trademark of the Business Applications Performance Corporation.

¹⁹ **Software.** Some software may differ from its retail version (if available), and may not include user manuals or all program functionality.

Certain Microsoft® software product(s) included with this computer may use technological measures for copy protection. IN SUCH EVENT, YOU WILL NOT BE ABLE TO USE THE PRODUCT IF YOU DO NOT FULLY COMPLY WITH THE PRODUCT ACTIVATION PROCEDURES. Product activation procedures and Microsoft's privacy policy will be detailed during initial launch of the product, or upon certain reinstallations of the software product(s) or reconfigurations of the computer, and may be completed by Internet or telephone (toll charges may apply).

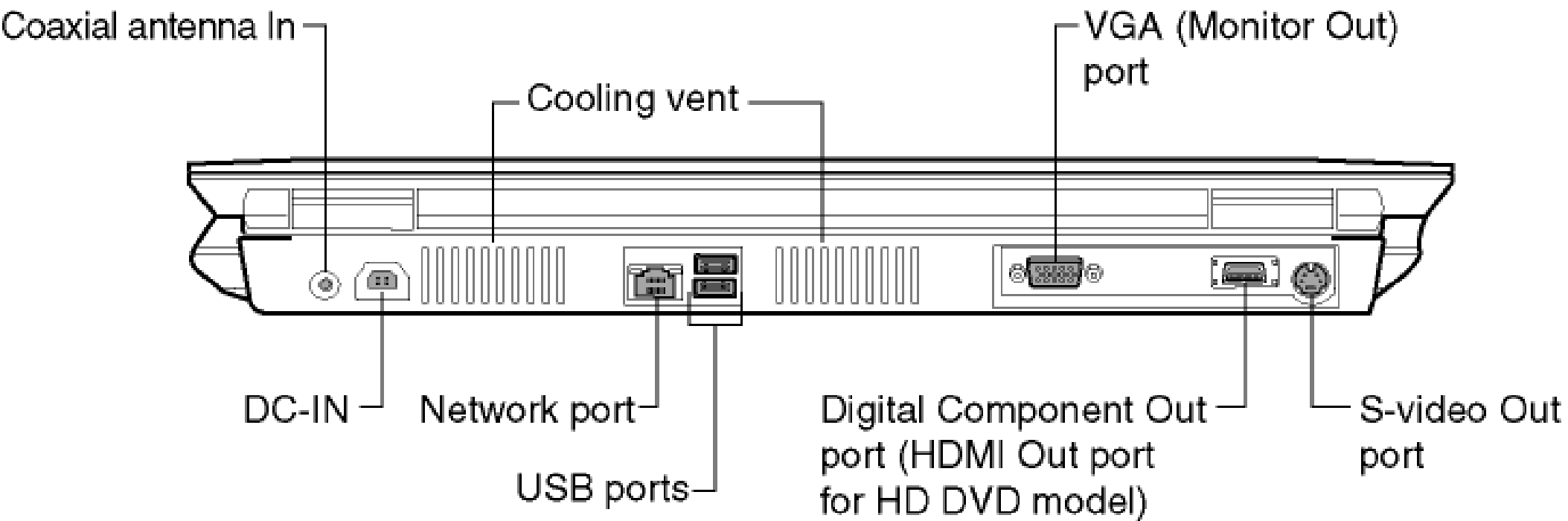
²⁰ **AOL® Internet Service.** Availability may be limited, especially during peak times. TO AVOID BEING CHARGED A MONTHLY MEMBERSHIP FEE, SIMPLY CANCEL BEFORE THE THREE-MONTH PROMOTIONAL PERIOD ENDS. Premium services carry surcharges and communication surcharges may apply, including AK, even during promotional period. Members may incur telephone charges on their phone bill, depending on their location and calling plan, even during promotional period. Available to new AOL members in the United States, age 18 or older; a major credit card or checking account is required.

²¹ **Temperature (Environmental) Conditions.** All temperature references are approximate and the performance of your computer may vary from specifications even when operating within the recommended temperature range.

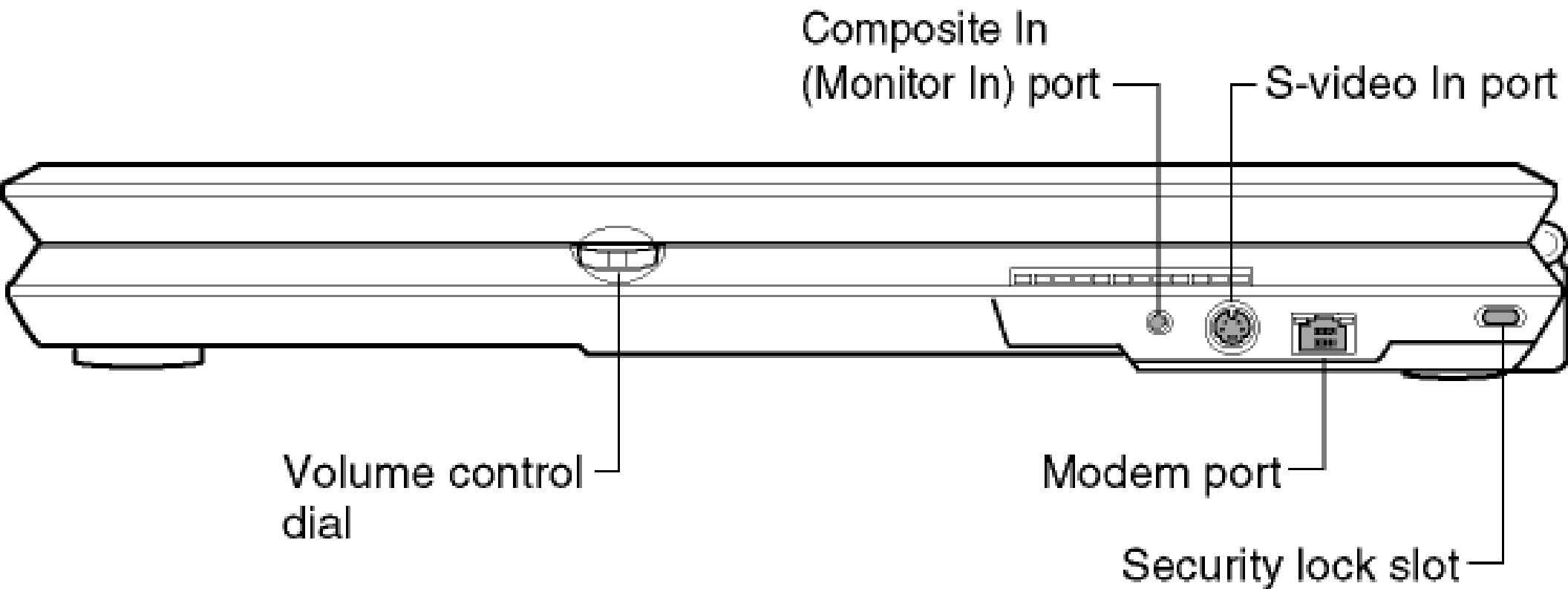
²² **RoHS.** This product is compatible with European Union Directive 2002/95/EC, Restriction of the use of certain Hazardous Substances in electrical and electronic equipment (RoHS), which restricts use of lead, cadmium, mercury, hexavalent chromium, PBB, and PBDE.

²³ **Warranty:** Toshiba's standard limited warranty terms and conditions are available at www.warranty.toshiba.com.

Back

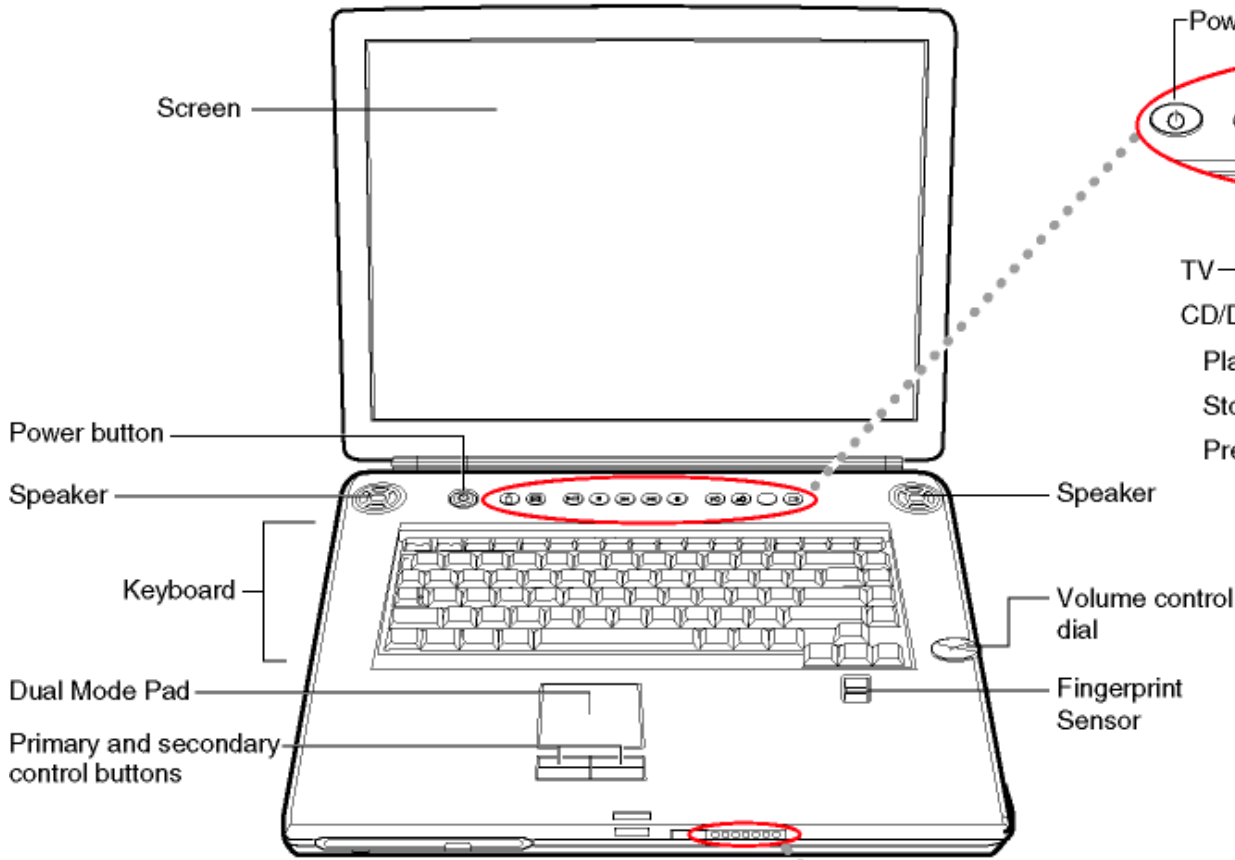
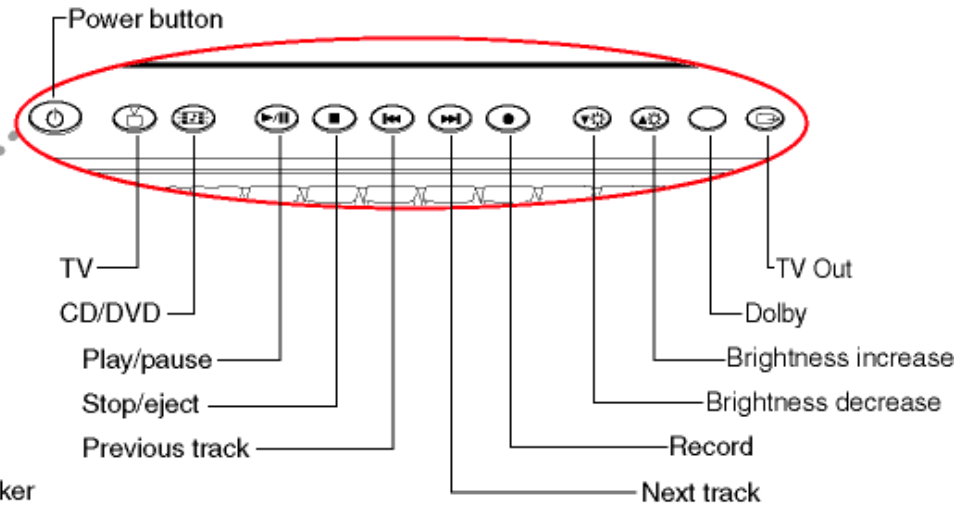


Right side

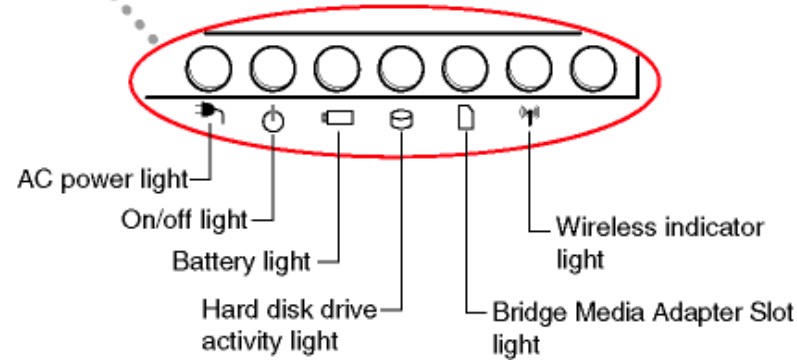


Front with display open

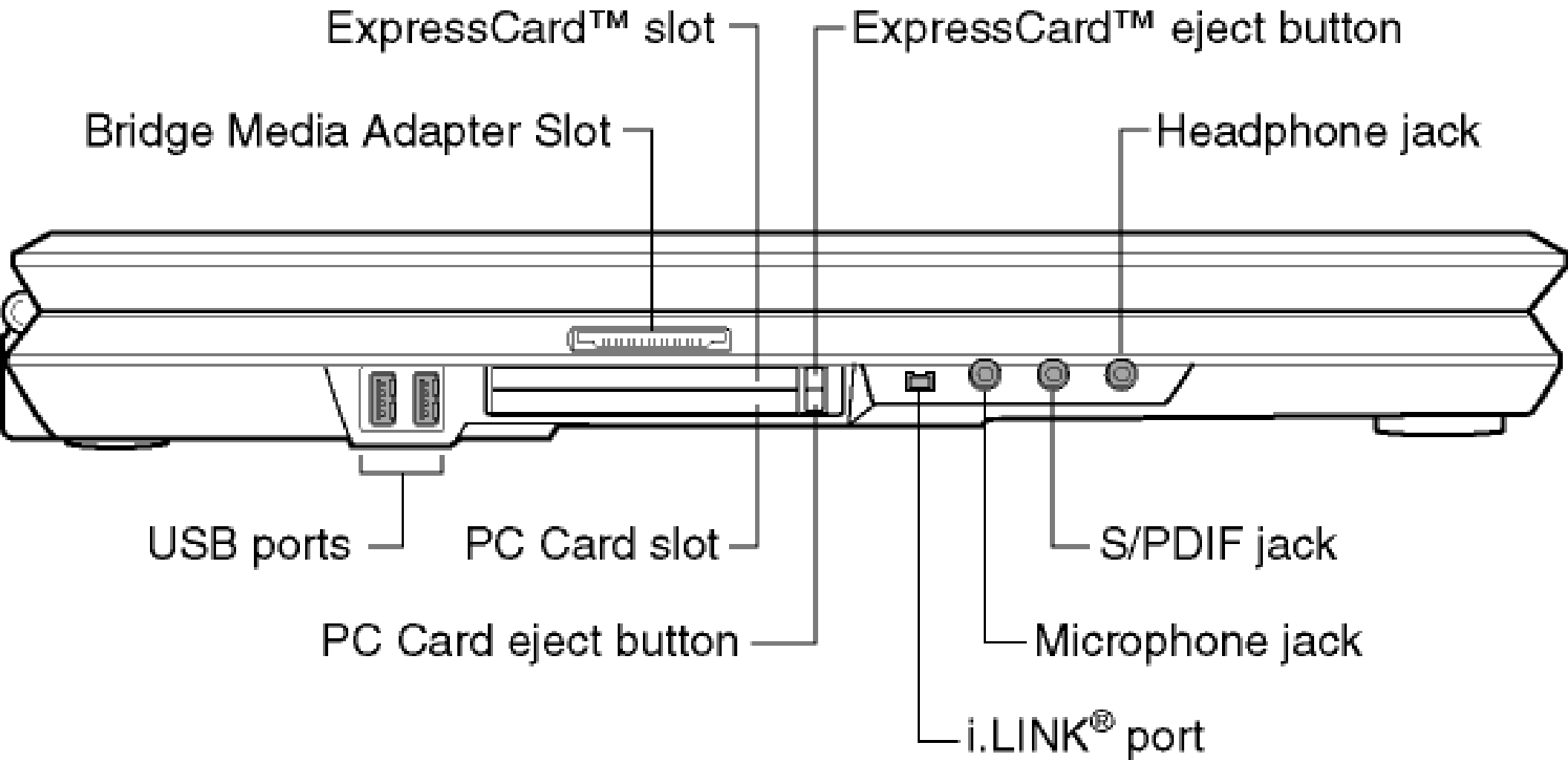
System control panel



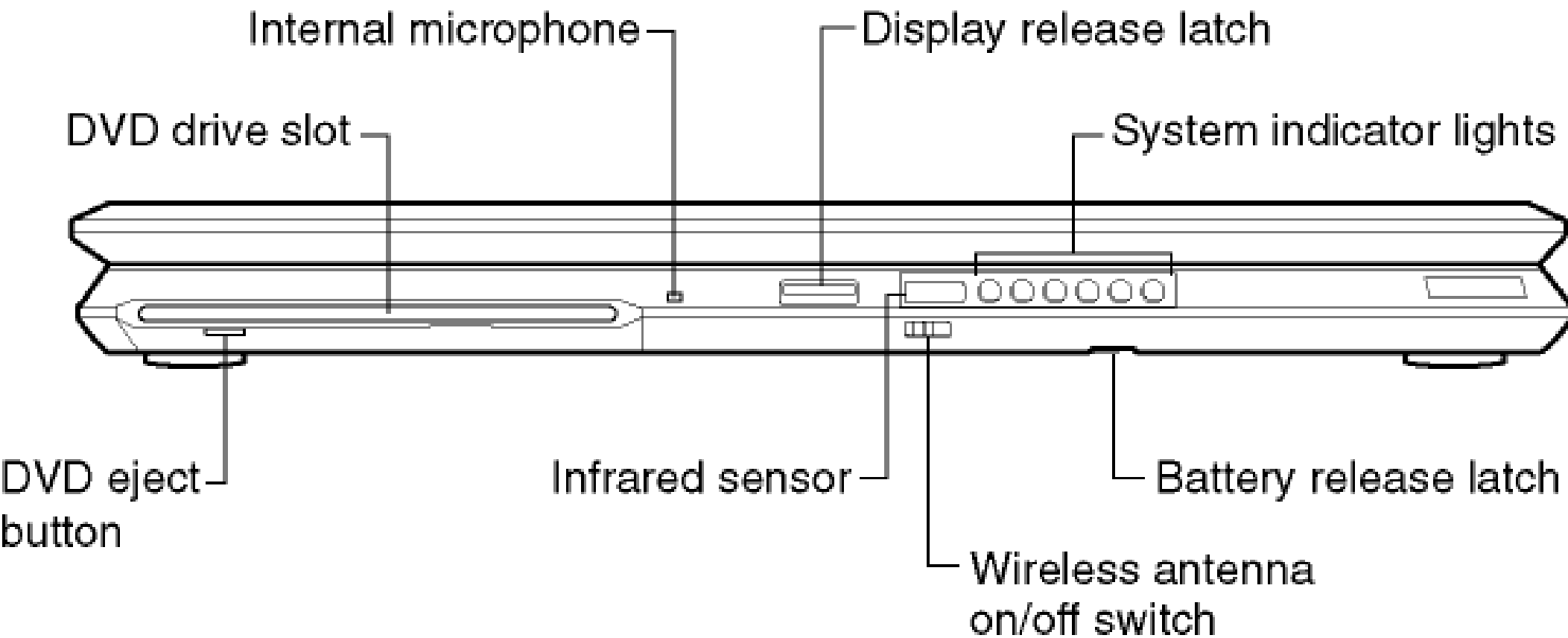
System indicator lights



Left side



Front with display closed



Underside

