

**User's Guide**  
**Extensa™ 600 Series**  
**Notebook Computers**

**Copyright © 1996 Texas Instruments  
All Rights Reserved — Printed in Taiwan**

Extensa™ Series Notebook Computer User's Guide  
TI Part No. 9811345-0001  
Original Issue: August 1996  
First Revision: September 1996

Changes may be made periodically to the information in this publication. Such changes will be incorporated in new editions of this manual.

Record the serial number, purchase date, and model number in the space provided below. The serial number and model number are recorded on the label affixed to the case. All correspondence concerning your unit should include the serial number, model number, and date of purchase.

No part of this publication may be reproduced, stored in a retrieval system, or transmitted, in any form or by any means, electronic, mechanical, photocopy, recording, or otherwise, without the prior written permission of Texas Instruments.

**Extensa Notebook Computer**

Model \_\_\_\_\_ Serial No. \_\_\_\_\_ Purchase Date \_\_\_\_\_

Extensa is a trademark of Texas Instruments. The icons in the Windows Notebook and Startup groups are copyrighted by Texas Instruments.

IBM, AT, PS/2, and Token Ring are registered trademarks and OS/2 is a trademark of International Business Machines Corporation.

Microsoft, MS-DOS, Windows and Xenix are registered trademarks of Microsoft Corporation.

Ethernet is a registered trademark of Xerox Corporation.

Kensington is a registered trademark of Kensington Microware, Inc.

Synaptics is registered trademark of Synaptics, Inc.

SimulSCAN is a trademark of Cirrus Logic, Inc.

IrDA is a trademark of Infra Red Data Association.

XJACK is a registered trademark of Megahertz Corporation.

---

This device has been tested and found to comply with the limits for a Class B digital device pursuant to Part 15 of the FCC Rules. These limits are designed to provide reasonable protection against harmful interference in a residential installation. This device generates, uses, and can radiate radio frequency energy and, if not installed and used in accordance with the instructions, may cause harmful interference to radio communications.

However, there is no guarantee that interference will not occur in a particular installation. If this device does cause harmful interference to radio or television reception, which can be determined by turning the device off and on, the user is encouraged to try to correct the interference by one or more of the following measures:

- Reorient or relocate the receiving antenna
- Increase the separation between the device and receiver
- Connect the device into an outlet on a circuit different from that to which the receiver is connected
- Consult the dealer or an experienced radio/television technician for help

### **Notice: Shield Cables**

All connections to other computing devices must be made using shielded cables to maintain compliance with FCC regulations.

### **Notice: Peripheral Devices**

Only peripherals (input/output devices, terminals, printers, etc.) certified to comply with the Class B limits may be attached to this equipment. Operation with non-certified peripherals is likely to result in interference to radio and TV reception.

### **Caution**

Changes or modifications not expressly approved by the manufacturer could void the user's authority, which is granted by the Federal Communications Commission, to operate this computer.

## Use Conditions

This part complies with Part 15 of the FCC Rules. Operation is subject to the following two conditions: (1) this device may not cause harmful interference, and (2) this device must accept any interference received, including interference that may cause undesired operation.

## Notice: Canadian Users

This Class B digital apparatus meets all requirements of the Canadian Interference-Causing Equipment Regulations.

## Remarque à l'intention des utilisateurs canadiens

Cet appareil numérique de la classe B respecte toutes les exigences du Règlement sur le matériel brouilleur du Canada.

# Duracell Notice

The Texas Instruments Extensa 600 and 605 are designed to use a Duracell DR35S or DR201 Rechargeable Battery. Texas Instruments participates in the Duracell pro.link program. If you would like to purchase additional batteries, please call the Authorized Duracell Purchase Hotline at 1-800-603-8225. If you have questions about battery performance, recycling a used battery, or any other battery-related question, please call Duracell Consumer Relations at 1-800-551-2355 (9:00 AM - 5:00 PM EST).

# Contents

## Preface

### Chapter 1 Before You Begin

Creating Backup Disks .....	1-2
Features of the Computer .....	1-3
Environmental Specifications .....	1-5
Using the Computer .....	1-6
Power Saving Modes .....	1-8
Securing the Computer .....	1-10
Using the AC Adapter .....	1-11

### Chapter 2 Using Your Computer

Starting the Computer .....	2-3
Running the Demo Program .....	2-4
Using the Brightness and Contrast Controls ..	2-6
Turning the Speakers On and Off .....	2-7
Using PC Cards .....	2-8
Using Indicator Lights .....	2-11
Using the Touchpad .....	2-14
Using Disk Drives .....	2-16
Adding Memory .....	2-29
Using the Keyboard .....	2-30
Using the Internal Numeric Keypad .....	2-34
Using Connectors and Ports .....	2-36

### Chapter 3 Using Battery Power

Guidelines for Battery Use .....	3-2
Switching to Battery Power .....	3-4
Responding to Low Battery Conditions .....	3-5
Recharging the Battery .....	3-7
Conditioning the Battery .....	3-8
Removing and Installing the Battery Pack .....	3-9
Conserving Battery Power .....	3-11

## Chapter 4 Options

AC Adapter.....	4-2
PC Cards.....	4-3
Numeric Keypad .....	4-4
External Monitor .....	4-5
External Mouse .....	4-6
External Keyboard .....	4-7
Memory.....	4-8
Audio Options .....	4-9
External Floppy Disk Drive .....	4-11
Miscellaneous Options.....	4-12

## Chapter 5 Using Software

Using Supplied Software.....	5-2
Getting Online Help.....	5-3
Guidelines for Installing Applications .....	5-4
Using System Passwords .....	5-6

## Chapter 6 Mobility

Overview of Mobility .....	6-1
Disconnecting from the Desktop .....	6-3
Moving Around.....	6-4
Taking the Computer Home .....	6-5
Traveling with the Computer.....	6-8
Traveling Internationally with the Computer ..	6-9

## Chapter 7 Care and Troubleshooting

Cleaning the Computer.....	7-2
Troubleshooting Tips .....	7-3
Startup Error Messages .....	7-4

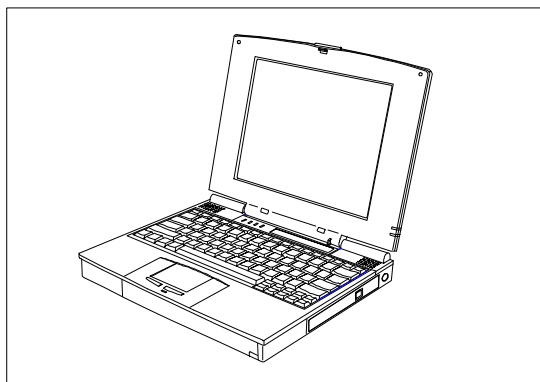
## Appendix A Where to Get Help



# Preface

This manual describes features of the Texas Instruments Extensa notebook computers. The Extensa series computers are similar in appearance and incorporate such features as CardBus, 16-bit stereo audio and internal pointing device.

The following figure displays the Extensa computer.



**Extensa**

This manual should answer most of the questions you have about the day-to-day operation of your Extensa notebook computer.

Use the *Just for Starters...* instructions that came with your computer to get your computer running for the first time.

You should also take advantage of the online help files that are available with almost all of the programs shipped with your computer.

We hope you enjoy your Extensa computer. With proper care, your computer will provide you with years of productive service.

# Before You Begin

---

After completing instructions in *Just for Starters...*, read this chapter to learn about important functions of your computer. Some, such as *Creating Backup Disks*, should be performed as soon as possible after the purchase of your computer.

## Contents

Creating Backup Disks .....	1-2
Features of the Computer .....	1-3
Standard Features .....	1-3
Customizing Features .....	1-4
Environmental Specifications .....	1-5
Using the Computer.....	1-6
Power Saving Modes .....	1-8
0V Suspend Mode.....	1-8
Standby Mode .....	1-9
Securing the Computer .....	1-10
Using the AC Adapter .....	1-11

# Creating Backup Disks

You should create your backup system disks as soon as possible after purchasing your computer. The process you follow depends on the operating system you selected when you installed the computer for the first time.

## Windows<sup>®</sup>95

Backing up Windows 95 requires approximately 43 formatted 3 1/2-inch, 1.44 MB diskettes. Labels for the disks are included with the manual.

To create backup system disks, use the Create System Disk tool that is part of Windows 95.

## Windows for Workgroups

Backing up MS-DOS and Windows for Workgroups requires approximately twenty 3 1/2-inch, 1.44 MB diskettes.

To create backup system disks, use the Make Disk utility that is in the Main program group.

# Features of the Computer

## Standard Features

The following list displays the standard features:

- 8 MB EDO (Extended Data Out) memory
- 1 MB EDO video memory
- Fast video graphics accelerator
- 0-Volt Suspend and Standby functions
- No-reboot setup function
- STN color display
- 16-bit stereo audio
- Serial infrared communication
- Duracell NiMH (Nickel-Metal-Hydride) or optional Li-Ion (Lithium-Ion) battery pack
- 810 MB (or higher) capacity hard disk with Local Bus
- Internal CD-ROM drive and external floppy disk drive or Internal floppy drive depending on model
- Internal touchpad pointing device
- Small, lightweight AC adapter

# Features of the Computer

## Customizing Features

The following features allow you to customize your computer to fit your requirements.

- PS/2 port for connecting an external keyboard, numeric keypad, or mouse
- 9-pin serial port for connecting external devices such as a modem or mouse
- Simultaneous display with external CRT
- One Type III or two Type II/I PC Card slots
- Parallel port with EPP and ECP for connecting to a printer or an external floppy disk drive
- 8 MB, 16 MB and 32 MB EDO 32-bit type small outline dual inline memory module (soDIMM) upgrades

# Environmental Specifications

This section provides information on the optimum operating environment for your Extensa notebook computer.

## Temperature

Operating:	50° to 95°F (10° to 35°C)
Storage:	-4° to 140°F (-20° to +60°C)

## Relative Humidity (Noncondensing)

Operating:	20% to 85%
Storage:	20% to 85%

## Shock

Operating:	Maximum 5g pulse in X, Y, and Z orientations
Storage:	Maximum 50g pulse in X, Y, and Z orientations

## Vibration

Operating:	Sinusoidal 5 to 25.6 Hz limited to 0.015 inch peak-to-peak maximum displacement
	0.5g, 25.6 to 250 Hz
Storage:	Sinusoidal 5 to 27.1 Hz limited to 0.016 inch peak-to-peak maximum displacement
	2.0g, 27.1 to 500 Hz

# Using the Computer

- ❑ Never pick up or carry your computer by the display.
- ❑ Never use the computer in harsh environments where it could be subjected to rapid temperature changes or excessive dust.
- ❑ Never expose the computer to excessive vibration.
- ❑ Never expose the hard disk or floppy disk(s) to strong magnetic fields, such as those generated by audio system speakers or telephone handsets.
- ❑ To avoid overheating the computer, never place anything on top of the computer when it is operating or recharging the battery.
- ❑ Before moving an active computer, press the **OV Suspend** hot key (**Fn+F2**) to put the computer into *OV Suspend* mode and close the display (refer to *OV Suspend Mode* in the next section).
- ❑ Do not try to force the display beyond its fully opened position –about 180 degrees.



# Using the Computer

---

**Caution:** In the rare event that you should see or smell anything that indicates overheating (smoke or a strange smell):



- 1. Turn off the power.**
  - 2. Disconnect the AC adapter from the power source and the computer.**
  - 3. Remove the battery pack.**
  - 4. Contact your Texas Instruments dealer or service center.**
-

# Power Saving Modes

## 0V Suspend Mode

Suspend mode saves battery power when you are not actively using your computer.

In 0V Suspend mode, the computer saves the current system state onto your hard disk drive then shuts off. When you turn the computer on again, it restores the system to the saved state.

Press the **0V Suspend** hot key (**Fn+F2**) to enter 0V Suspend mode. To resume normal operation, press the power switch. 0V Suspend mode occurs automatically if the 0 VOLT SUSPEND TIMEOUT parameter in Setup is enabled and times out or if the BATTERY LOW SUSPEND option is enabled.



---

**Note:** If the computer is unable to enter 0V Suspend mode, the Standby indicator lights up. When this happens, data remains in memory and is lost if power is lost.

---

## Standby Mode

In Standby mode, data remains in memory while the computer powers down unused devices to save power. The standby indicator lights up in Standby mode.

Press the **Standby** hot key (**Fn+F4**) to enter Standby mode. The computer also enters Standby mode if the STANDBY TIMEOUT parameter in Setup is enabled and times out.

To resume from Standby mode, press any key or touch the touchpad. When enabled in setup, the computer also resumes from Standby mode if an incoming ring is detected by an attached modem.



---

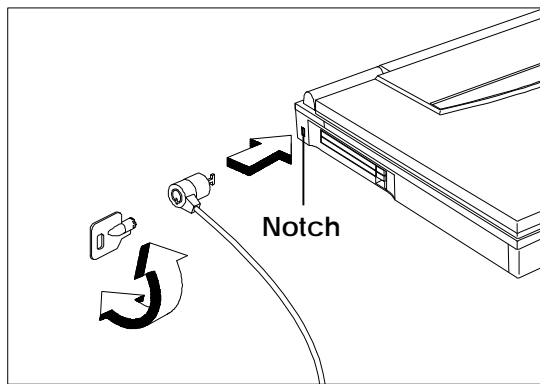
**Note:** The computer acts on the key you press. To prevent accidental entry of a key, press a non-printing character such as **Shift, Ctrl or Alt.**

---

# Securing the Computer

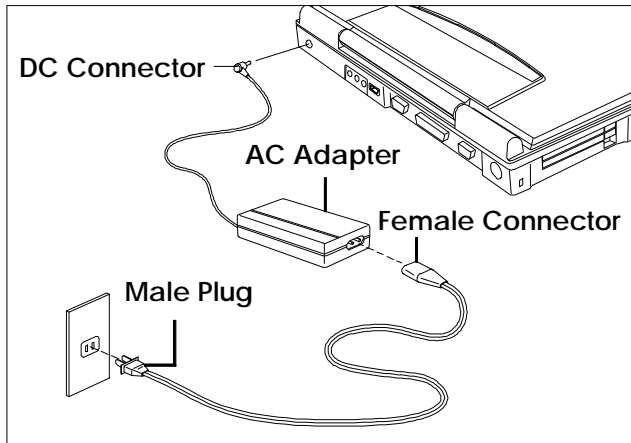
Your computer comes with a Kensington® lock notch. If your computer store does not carry Kensington locks, you can buy one directly from Texas Instruments. To secure your computer, follow these steps:

1. Wrap the cable of a portable computer Kensington security lock ( optional) around a table, desk drawer handle or any immovable object.
2. Insert the lock into the notch at the rear of the computer.
3. Turn the key to secure the lock.
4. Remove the key from the lock.



Securing the Computer

# Using the AC Adapter



## AC Adapter

**AC Adapter** Charges the internal battery pack and operates the computer on AC power whether or not a battery pack is installed. The AC adapter can be operated anywhere where the outlet supplies between 100-240 volts AC at 50 - 60 Hz. The AC adapter has a detachable AC power cord.



---

**Caution: Use only the AC adapter supplied with your computer. Another adapter can damage your computer and create a safety hazard.**

---

# Using Your Computer

---

Before beginning this chapter, ensure you have read and understood Chapter 1. Chapter 2 describes how to start and use your Extensa notebook computer.

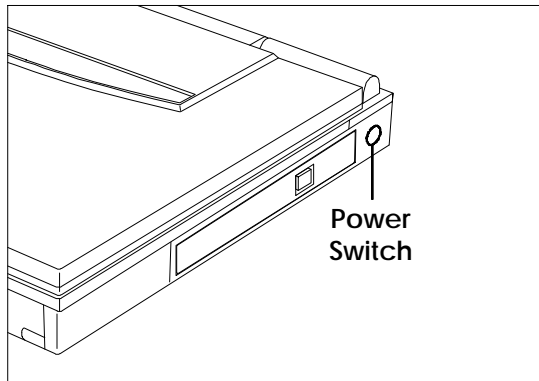
## Contents

Starting the Computer .....	2-3
Running the Demo Program .....	2-4
Contents of the Demo Program.....	2-4
Running the Demo Program.....	2-4
Deleting the Demo Program .....	2-5
Using the Brightness and Contrast Controls .....	2-6
Turning the Speakers On and Off.....	2-7
Using PC Cards .....	2-8
Inserting PC Cards.....	2-8
Ejecting PC Cards.....	2-9
Using Indicator Lights.....	2-11
Using the Touchpad.....	2-14
Moving the Cursor .....	2-14
Configuring the Touchpad.....	2-15
Using Disk Drives.....	2-16
Hard Disk Drive Guidelines.....	2-17
Installing a Hard Disk Drive.....	2-17

---

Connecting an External Floppy Disk Drive .....	2-25
Floppy Disk Drive Guidelines .....	2-26
CD-ROM Drive Guidelines .....	2-27
Adding Memory .....	2-29
Using the Keyboard .....	2-30
Special Keys .....	2-30
Windows 95 Keys.....	2-33
Using the Internal Numeric Keypad .....	2-34
Num Lock On .....	2-34
Num Lock Off .....	2-35
Using Connectors and Ports.....	2-36

# Starting the Computer



## Power Switch



### Power Switch

Turns the computer on and off for both AC and battery operation; also resumes from 0V Suspend mode. When the power is off, the battery continues to charge (if a powered AC adapter is connected to the computer); however, all computer functions cease.



# Running the Demo Program

## Contents of the Demo Program

Your computer is loaded with an entertaining and informative demo program which includes the following information:

- The features of your computer and how to use them
- The **livegear** accessories available for your computer
- The software loaded on your computer
- How to get service and technical support
- More about Texas Instruments

## Running the Demo Program

To run the demo program, do one of the following:

### In Windows 95

1. Double-click on the **About Your Extensa** icon on the desktop.
2. Follow the directions to use the program.

### In Windows for Workgroups

1. From the Program Manager double-click on the **Texas Instruments Multimedia group**.
2. Double-click on **About Your Extensa** icon.
3. Follow the directions to use the program

# Running the Demo Program

## Deleting the Demo Program

An uninstall program helps you delete all or part of the demo program to free up space on your hard disk drive.

### In Windows 95

1. Double-click on the **Uninstall Demo** icon on the desktop.
2. When the **Uninstall** window appears, you can choose a complete or partial uninstall. If you want to keep some parts of the demo, you can deselect those parts, then click on **OK**. To uninstall the entire demo, click on the large uninstall button, then click on **OK**.

### In Windows for Workgroups

1. From the Program Manager double-click on the **Texas Instruments Multimedia group**.
2. Double-click on **Uninstall Demo** icon.
3. When the **Uninstall** window appears, you can choose a complete or partial uninstall. If you want to keep some parts of the demo, you can deselect those parts, then click on **OK**. To uninstall the entire demo, click on the large uninstall button, then click on **OK**.

# Using the Brightness and Contrast Controls

You can adjust the screen brightness and contrast levels using hot keys.



---

**Note:** The hot keys for brightness and contrast are continuous keys. They will adjust as long as you hold them down.

---



## Brightness Control

Press **Fn+↑** and **Fn+↓** to increase and decrease the brightness of the display respectively.

The brighter the screen, the more power is used during battery operation.



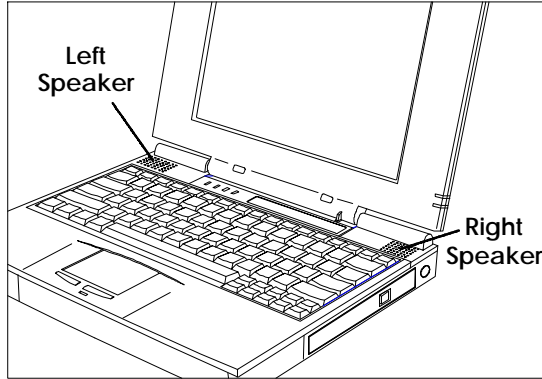
## Contrast Control

Press **Fn+→** and **Fn+←** to increase and decrease the contrast of the display respectively.

The higher the contrast setting, the more power is used during battery operation.

# Turning the Speakers On and Off

Your computer comes with 16-bit stereo audio. Two built-in speakers are located near the LCD hinges.



## Built-in Speakers

You can turn the built-in speakers on and off using a hot key.

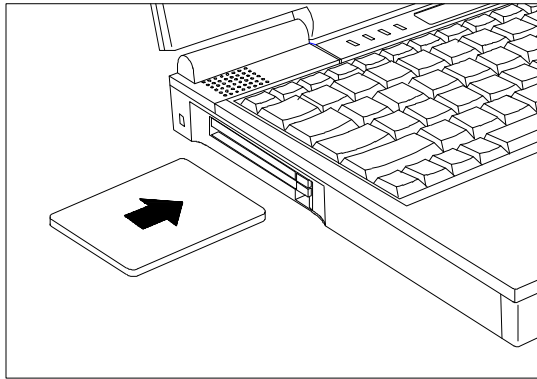
<b>Speaker On/Off</b>	Press <b>Fn+End</b> to toggle the speaker output on and off.
-----------------------	--

You can also enable or disable the speaker from your Setup screen. The setting in Setup determines whether the speakers are enabled when you reboot or turn on your computer. Pressing **Fn+End** overrides the setting.

# Using PC Cards

## Inserting PC Cards

You can insert up to two Type I or Type II PC cards, or one Type III PC card, in the slots on the side of the computer.



Inserting a PC Card

### In Windows 95

Windows 95 beeps to indicate it has detected a PC card when you insert one. If Windows 95 recognizes the PC card, it will set up the necessary drivers. If Windows 95 does not recognize the PC card, you are asked to load the driver for the card.

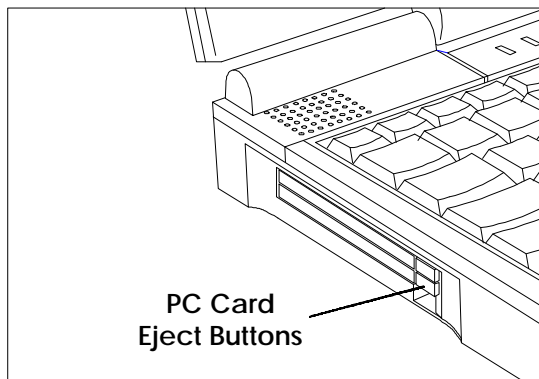
## In Windows for Workgroups

Windows for Workgroups beeps to indicate it has detected the card. If a driver for the PC card has already been loaded, you can use the card immediately. If a driver has not been loaded, you must manually load the driver. Windows for Workgroups does not ask you to load a driver.

## Ejecting PC Cards

Eject buttons are located beside each PC card slot. Pressing an eject button ejects the PC Card from the slot. To eject a Type III card, press both eject buttons.

The eject buttons fold out of the way when a PC card is inserted in the slot. To eject the card, flip out the corresponding eject button, and press in on the eject button.



PC Card Eject Buttons

# Using PC Cards

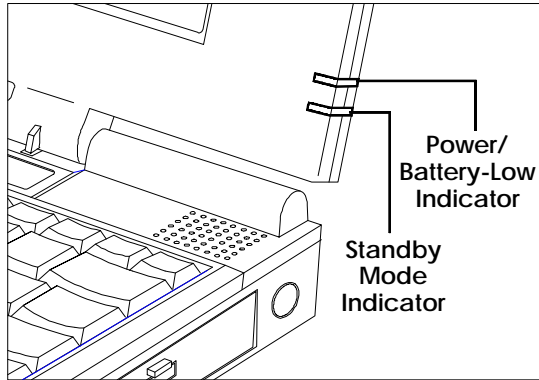
## In Windows 95

Follow these steps to eject a PC Card while using Windows 95.

1. Open the Control Panel.
2. Click on the **PC Card** icon.
3. Select the card you want to eject.
4. Click on **Stop**.
5. When Windows 95 responds with the message *You may safely remove this device*, flip out and press the eject button to eject the PC Card.

# Using Indicator Lights

The computer uses the following indicator lights to show the status of certain functions.



## LCD Panel Indicator Lights



**Power/  
Battery-low  
Indicator**

Lights when the system is on and there is power to the system.

Flashes when the battery power is low. Connect a powered AC adapter to the computer as soon as possible.



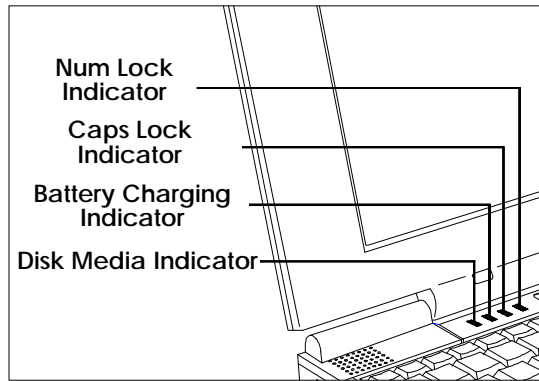
**Standby  
Mode  
Indicator**

Lights when the computer enters Standby mode.

The computer enters Standby mode if you press the **Standby** hot key (**Fn+F4**) or the STANDBY TIMEOUT parameter in Setup is enabled and expires. Closing the display also puts the system in **Standby** mode.



# Using Indicator Lights



## Front Indicator Lights



### Disk Media Indicator

Lights when the computer writes to or reads from the hard disk drive, or reads from the CD-ROM drive.



### Battery Charging Indicator

Lights when a powered AC adapter connected to the computer is charging the battery.

Flashes when there is a problem with the battery or the battery is not recognized by the smart charger.

Turns off when there is no battery or the battery is fully charged.

# Using Indicator Lights



**Caps Lock  
Indicator**

Lights when the caps lock function is toggled ON using the Caps Lock key.



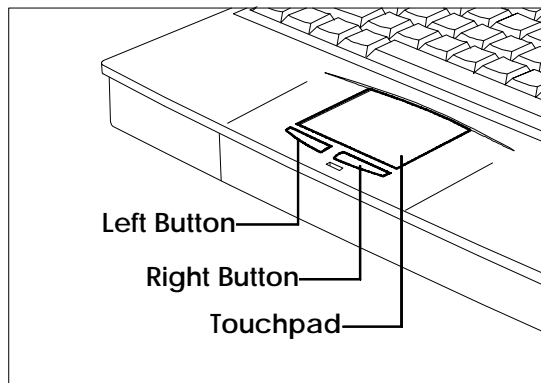
**Num Lock  
Indicator**

Lights when the embedded numeric keypad is toggled ON using the Num Lock hot key (**Fn+F7**). Refer to *Using the Internal Numeric Keypad* later in this section for further details.

# Using the Touchpad

## Moving the Cursor

The embedded touchpad offers a unique and efficient way of pointing and selecting in a Windows environment. The following figure shows the touchpad.



### Touchpad

The touchpad responds to finger movements on its surface. To move the cursor, move your finger on the touchpad surface.

Once the cursor is in the proper place, tap once on the surface of the touchpad or use the left button to click just as you would a mouse. Tap twice to double-click.



---

**Note:** You may also connect an external PS/2 or serial mouse to your computer. Refer to *Using Connectors and Ports* later in this chapter.

---

## Configuring the Touchpad

You can personalize the control of the touchpad by configuring various settings using the Synaptics® Touchpad utility. You can configure the touchpad using the Mouse utility located in the Control Panel Window. Follow these steps to configure the touchpad:

### In Windows 95

1. Select the **Start** button, then select **Settings**.
2. Select **Control Panel** to display the Control Panel window.
3. Double-click on the **Mouse** icon.
4. Select the Touchpad tab to customize the touchpad to your preference.
5. Click on **Enhancements** to bring up more features and to get to the online **Help** for the Synaptics® Touchpad drivers.

### In Windows for Workgroups

1. From the **Program Manager** double-click on the **Main** program group.
2. Double-click on the **Control Panel** icon.
3. Double-click on **Mouse** icon.
4. Select the Touchpad tab to customize the touchpad to your preference.
5. Click on **Help** for the Synaptics® Touchpad drivers online documentation.

# Using Disk Drives

**Hard Disk Drive** The Extensa computer comes with a 810-million byte (810 MB) or higher capacity hard disk drive. The hard disk drive is formatted and loaded with software during manufacture. **Do not** format the hard disk.

**Floppy Disk Drive** All models come with a floppy disk drive. In models with a CD-ROM drive, you can use the floppy disk externally by connecting it to the parallel port.

The floppy disk drive can access formatted 3.5-inch, double-sided, high-density (2HD), 1.44 MB floppy disks and lower capacity, 720 KB, double-density (2DD) floppy disks. The floppy disk drive does not function at low speed with the OS/2™ or Xenix operating systems.

**CD-ROM Drive** The Extensa 600CD and 605CD comes with a CD-ROM drive, bringing you portable multimedia.

## Hard Disk Drive Guidelines

If you format the hard disk drive, all data on the hard disk drive will be erased.

Do not move the computer when the Disk Media indicator is on. Press the **OV Suspend** hot key (**Fn+F2**) to suspend your system or turn off the computer before moving it.

If the HARD DISK TIMEOUT parameter in Setup is enabled and expires, the hard disk drive will spin down to save power.



---

**Caution: If the hard disk drive is damaged, you can lose data. To reduce the impact of data loss, back up data frequently.**

---

## Installing a Hard Disk Drive

These instructions show you how to install a hard disk drive on your Extensa computer. They include the following:

- Backing up your old hard disk drive
- Replacing the hard disk drive
- Loading software onto your new hard disk drive

# Using Disk Drives

Please read completely through these directions before starting the process. If you have any questions about how to proceed, call the Customer Satisfaction Line at 1-800-TI-TEXAS or 1-817-771-5856.

## Backing Up Your Old Hard Disk Drive

After you install your hard disk drive, the data will still exist on your old hard disk drive. To be able to use the data on your new hard disk drive, however, you must back up the data before removing the old hard disk drive.

The steps to follow depend on your hardware and software options, so a specific procedure is not possible. The following process, however, describes in general terms how to back up the files on the old hard disk drive.

### Checking the Files

You can help ensure the files you move to the new hard disk drive are good by running the following programs before backing up the files.

- ScanDisk -- checks for damaged files
- Defrag -- eliminated fragmentation in files
- An anti-virus program -- use the anti-virus software you have to check your files for computer virus infection

## Backing Up the Operating System on Floppy Disk

If you have not already done so, you need to make a full backup of your operating system onto floppy disks.

- ❑ Windows 95 requires approximately 30 floppy disks
- ❑ MS-DOS and Windows for Workgroups require approximately 17 floppy disks

## Back Up Your Programs and Personal Data

The amount of programs and data on the old hard disk drive may prohibit backing up to floppy disk, so you may need another way to back up the remaining information on the old hard disk drive.

Use one of the following ways to back up the programs and data.

- ❑ Another computer -- Use TranXit software to back up the data to another computer. If you do this, make sure you created a TranXit disk when backing up the operating system.
- ❑ Server -- If your computer is connected to a network, back up the data to a server.



# Using Disk Drives

- ❑ Tape Drive -- If you have a tape drive connected to a PC card, you can back up to tape. If you do this, ensure you have the original floppy disks for the backup programs; otherwise, you need to back up the tape backup programs to a floppy disk.
- ❑ MSBACKUP -- If you must back up data to floppy disks, use the MSBACKUP program that is part of your operating system. Be sure to use the same version of MSBACKUP that you plan to use when you restore the files on the new hard disk drive. Different versions of MSBACKUP are incompatible.

## Replacing your Hard Disk Drive

Follow the steps below to remove and install the hard disk drive.



---

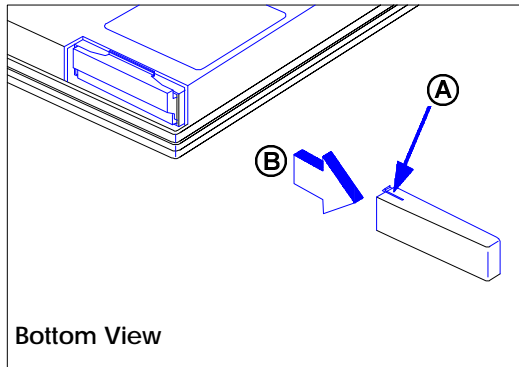
**Caution: Turn off the notebook computer before removing or installing a hard disk drive.**

---

1. Turn off the computer. Disconnect the AC adapter and remove any batteries.
2. Disconnect external devices such as keyboard or monitor and remove all PC cards.
3. Turn the computer over and locate the hard disk drive bay cover.

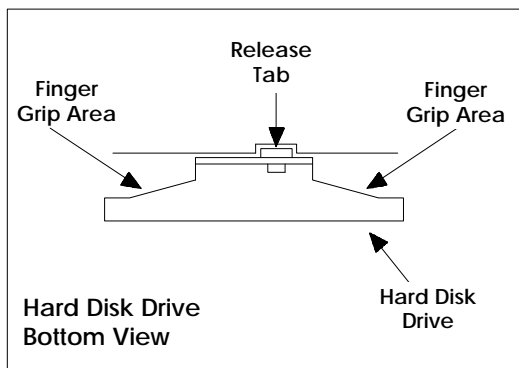
# Using Disk Drives

4. Locate the release tab on the bottom side of the hard disk drive bay cover. While pressing slightly on the release tab (A), slide the cover to the right (B) and set aside.

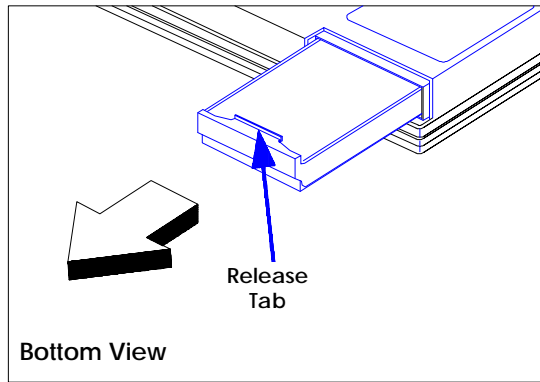


## Removing the Hard Disk Drive Bay Cover

5. While lifting up the hard disk drive release tab (with your fingernails) on the front of the hard disk drive module, use both finger grip areas to pull the module out of the computer. The following illustrations shows the bottom view for clarity.

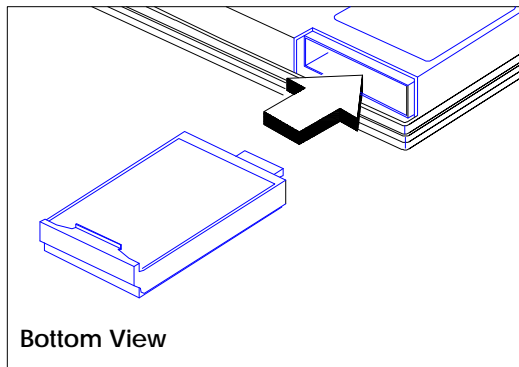


# Using Disk Drives



## Removing a Hard Disk Drive

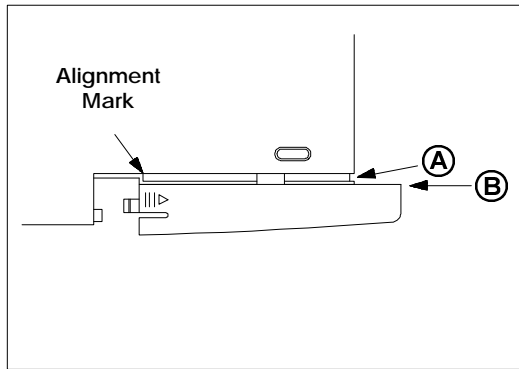
6. Remove the new hard disk drive from its antistatic bag. (The old hard disk drive should be stored in the antistatic bag.)
7. Insert the replacement hard disk drive into the bay with the release tab facing up. Slide the hard disk drive all the way in until you feel it engage with a slight click.



## Inserting a Hard Disk Drive

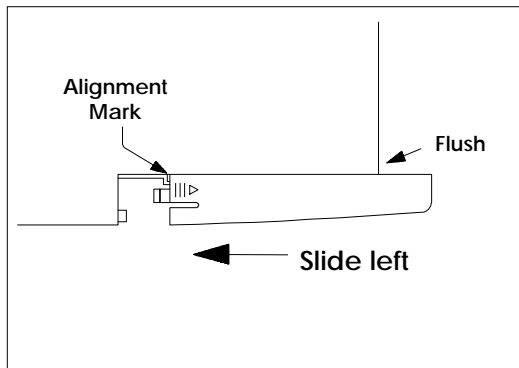
# Using Disk Drives

8. Replace the hard disk drive cover by aligning the release tab with the alignment mark on the computer and then seat the cover into the slot (A) making sure the back edge of the cover (B) is flush with the computer. Make sure the bottom of the cover is also flush with the computer.



## Aligning the Hard Disk Drive Bay Cover

9. Slide the hard disk drive bay cover to the left until the release tab snaps into place.



## Replacing the Hard Disk Drive Bay Cover

## Configuring the New Hard Disk Drive

The process you follow to configure the new hard disk drive mirrors the process you used to back up the old hard disk drive.

### Load the Operating System

Use the floppy disk backup of the operating system to install the operating system onto the new hard disk drive.

### Load the Backup Software

After loading the operating system, load the software you used to back up the data from the old hard disk drive.

- If you copied the files to another computer using TranXit software, load the TranXit software.
- If you copied the files to a server, load the files you need to access the server.
- If you backed up the files on tape, load the tape backup software.
- If you used MSBACKUP to save files on floppy disks, load the same version of MSBACKUP.

## Restore the Remaining Files

Restore the remaining program and data files following the procedures for the backup software.

## Check the New Hard Disk Drive

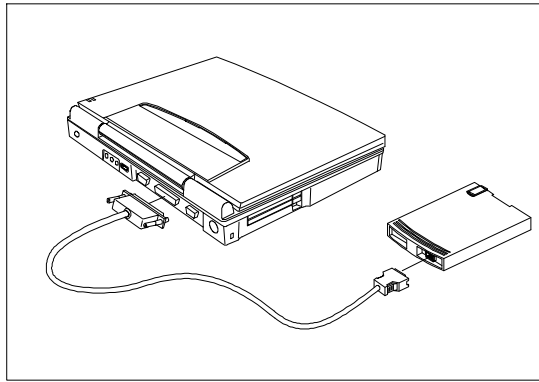
After restoring all the files, run ScanDisk and Defrag to check the condition of the hard disk drive.

## Connecting an External Floppy Disk Drive

Models with CD-ROM drives have external floppy disk drives. To connect the external floppy disk drive to your computer, follow these steps.

- 1.** Plug the 25-pin end of the floppy disk drive cable into the parallel port on the rear panel of the computer.
- 2.** Attach the other end of cable to the floppy disk drive.

# Using Disk Drives



## Connecting an External Floppy Disk Drive

## Floppy Disk Drive Guidelines

Failure to observe the following precautions can damage both the floppy disk drive and the data on the floppy disk:

- ❑ Insert the floppy disk into the floppy disk drive slot label side up and the metal-shutter end first. Gently push the floppy disk into the floppy disk drive slot until the floppy disk clicks into place.
- ❑ To remove a floppy disk, press the eject button until the floppy disk pops out.
- ❑ Never remove a floppy disk while the indicator on the floppy disk drive is on.
- ❑ Never force open the access shutter on a floppy disk.

# Using Disk Drives

- ❑ Always remove a floppy disk from the floppy disk drive before turning off the computer.
- ❑ Never transport the computer with a floppy disk in the floppy disk drive. Doing so can damage the drive head.
- ❑ If a floppy disk is damaged, try to make a copy of it and immediately discard it.
- ❑ When floppy disks are not in use keep them in a storage box to protect them from damage or loss.
- ❑ When using an external floppy disk drive, make sure the connecting cable is securely connected to the drive and to the parallel port on the computer's rear panel..

## CD-ROM Drive Guidelines

Failure to observe the following precautions can damage both the CD-ROM drive and the data on the CD-ROM:

- ❑ Do not open the disc tray except when inserting or removing a disc.
- ❑ Never attempt to push down on an opened disc tray.

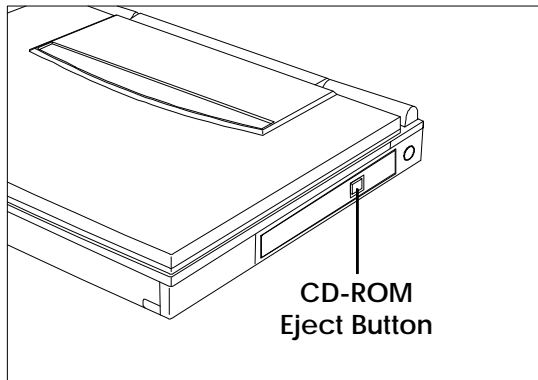


# Using Disk Drives

- ❑ When handling discs:
  - ❑ Always handle a disc by its edges. Do not touch the surface of the disc.
  - ❑ Never write on a disc or place a label on the disc surface.
  - ❑ Always store a disc in its case to prevent dust contamination, scratches, bending and other damages.
  - ❑ To remove dust or fingerprints, use a clean, soft and dry cloth. Never use benzene or anti-static fluids.
  - ❑ Do not subject a disc to high temperature or direct sunlight.

## Ejecting the Disc Tray

To eject the disc tray, press the eject button on the CD-ROM drive. You can eject the disc tray even when the computer is off.



Ejecting the Disc Tray

# Adding Memory

Your computer is equipped with 8 MB of EDO random access memory (RAM). You can increase the amount of RAM up to 64 MB. Refer to Chapter 4, *Options*, or to the installation instructions that come with optional memory for further information.



---

**Caution: TI does not warrant the use of non-TI memory. TI will not be held responsible for problems or degradation of performance incurred by using any memory other than TI memory described in this document.**

---

# Using the Keyboard

The computer has many special keys, but most of them depend on an application for their functionality.

## Special Keys

The following keys have special functions at the command level of MS-DOS<sup>®</sup> and within many programs.

<b>Ctrl+Pause</b>	Stops a command or application; primarily used to stop the screen from scrolling; pressing any other key resumes the execution of the command or application
<b>Shift+Prt Sc</b>	Sends the contents of the screen to the printer port; prints only text characters unless you have run the GRAPHICS.COM utility to enable printing graphics
<b>Ctrl+Break</b>	Terminates the current command or application
<b>Ctrl+P</b>	Sets the computer to echo keystrokes to the printer; prints a line when you press <b>Enter</b> ; continues until you press <b>Ctrl-P</b> again

# Using the Keyboard

Ctrl-Alt-Del	Terminates all programs, reloads MS-DOS and executes the AUTOEXEC file; also called “warm start” or “warm
F2 (during POST)	Loads the ROM-based Setup when pressed during POST (power on self test) at system startup.
Fn+F1	Brings up the Setup screen anytime
Fn+F2	Invokes 0V Suspend
Fn+F3	Invokes Standby
Fn+F4	Invokes Standby
Fn+F6	Toggles the scroll lock function <b>ON</b> and <b>OFF</b> . When <b>ON</b> , the screen moves one line up and down when you press the up and down keys.
Fn+F7	Toggles the NumLock function <b>ON</b> and <b>OFF</b> . The internal keypad is activated when NumLock is <b>ON</b> . When off, the internal keypad can be accessed when a keypad number is pressed with the <b>Fn</b> key.

# Using the Keyboard

<b>Fn+F11</b>	Turns the LCD backlight off (blanks the screen). Press any key to turn it back on.
<b>Fn+F12</b>	Toggles the screen output between the LCD, external CRT or both (SIMULSCAN)
<b>Fn+T</b>	Enables/disables the internal touchpad
<b>Fn+↑</b>	Adjusts the brightness up
<b>Fn+↓</b>	Adjusts the brightness down
<b>Fn+→</b>	Adjusts the contrast brighter
<b>Fn+←</b>	Adjusts the contrast darker
<b>Fn+End</b>	Toggles the speaker on and off

## Windows 95 Keys

The keyboard also has two Windows 95-specific keys that allow you to perform special functions under Windows 95.

**Windows logo key**

Start button

Combinations with this key performs special functions. Below are a few examples:

**Windows logo key + Tab**

Activates next Taskbar button

**Windows logo key + E**

Explore My Computer

**Windows logo key + F**

Find Document

**Windows logo key + M**

Minimize All

**Windows logo key + R**

Display Run dialog box

**Application key**

Displays the application's context menu (same as a right-click)

Please refer to your Windows 95 manual for more information on these Windows 95-specific keys and their functions.

# Using the Internal Numeric Keypad

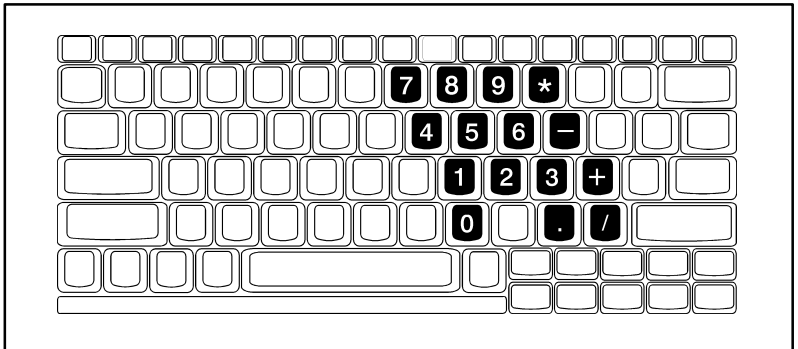
The keyboard has an embedded keypad that provides the same functions as the discrete numeric keypad on an AT<sup>®</sup> enhanced keyboard.

The embedded numeric keypad keys shown in the following figure generate AT-keypad characters and functions when pressed in conjunction with **Num Lock**, **Fn** and **Shift**.

The embedded numeric keypad has two modes you can enter by toggling **Num Lock (Fn+F7)** as signaled by the **Num Lock** indicator: **ON** or **OFF**.

## Num Lock On

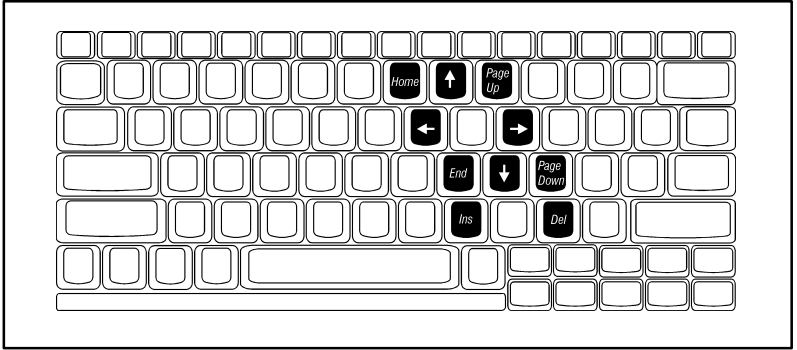
When the **Num Lock** indicator is on, pressing a key generates the characters shown in the following figure.



Num Lock On

# Using the Internal Numeric Keypad

Pressing **Shift** with a key generates the characters shown in the following figure.



## Num Lock On (with Shift)

If you press and hold **Fn** in this mode, the keypad generates their normal characters.

## Num Lock Off

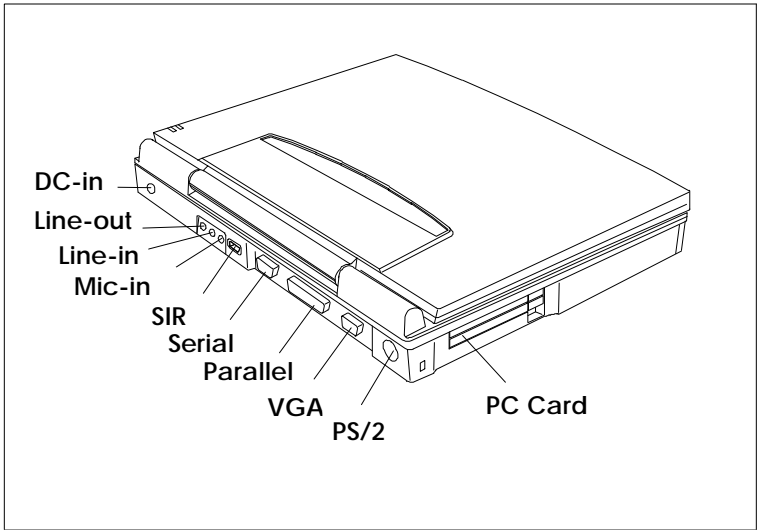
When the **Num Lock** indicator is **OFF**, the keyboard acts as normal.

Pressing **Fn** with a key generates the same characters shown in the previous figure, *Num Lock On (with Shift)*.



# Using Connectors and Ports

This section provides a description of connectors and ports on the rear and left side panel of the Extensa notebook computer.



## Ports



### DC In

Connects the AC adapter output connector to this jack to recharge the battery and supply power to the computer.



**Caution: Use only the supplied AC adapter with your computer. Other adapters can cause serious damage to the electronic circuits.**

# Using Connectors and Ports



**Line out**

Connects to a line out device such as headphones or amplified speakers.



**Line in**

Connects to a line in device such as a synthesizer, stereo walkman or audio CD player.



**Microphone in**

Connects to an external microphone.



**SIR**

Connects to serial IrDa devices (such as another IrDA-compliant computer or printer) without the use of a cord or cable.



**Serial  
(9-pin)**

Connects to external devices such as a serial printer. 16550 UART compatible.



**Parallel  
(25-pin)**

Connects to a parallel printer or other device that uses a standard parallel interface. EPP/ECP compatible. Also connects to the external floppy disk drive.



**External  
Monitor  
(15-pin)**

Connects to an external analog monitor.

# Using Connectors and Ports



PS/2

Connects to an external PS/2 keyboard, numeric keypad or mouse. If you are connecting a keyboard with a 5-pin DIN connector, you need to purchase a 6-pin mini-DIN adapter.



PC Card

The PC Card slots supports one Type III or two Type II/I PC Cards.

# Using Battery Power

---

The primary difference between using battery power and AC power is the limited time you can operate before you must recharge the battery.

This chapter covers charging the battery and maximizing the time between charges and assumes that you installed and charged the battery as directed in *Just for Starters....*

## Contents

Guidelines for Battery Use .....	3-2
Switching to Battery Power .....	3-4
Responding to Low Battery Conditions .....	3-5
Recharging the Battery .....	3-7
Conditioning the Battery .....	3-8
Removing and Installing the Battery Pack.....	3-9
Removing the Battery Pack .....	3-9
Installing the Battery Pack .....	3-10
Conserving Battery Power .....	3-11

# Guidelines for Battery Use



---

**Caution: Never dispose of exhausted batteries in a fire. Recycle if possible.**

---

The battery should be handled carefully to ensure maximum life. In particular:

- ❑ Do not drop the battery or subject it to shocks.
- ❑ Do not expose the battery to direct sunlight, moisture, chemicals, or temperature extremes.
- ❑ Do not short the battery leads or insert the battery upside down.
- ❑ Charge the battery after several days of disuse to keep it fully charged. If your computer is idle for an extended period of time, charge the battery every 3 months.
- ❑ Never use the battery to power other products.
- ❑ The battery pack has thermal fuses to prevent unsafe computer operation. The computer may not operate on battery power after storage in a very warm place until the thermal fuses cool.
- ❑ Keep the Duracell DR35S NiMH battery properly conditioned to maintain a maximum charge by following the conditioning instructions in this chapter.

# Guidelines for Battery Use

- ❑ This system is designed to only work with the Smart Duracell battery packs. Only use the authorized DR35S and DR201 packs with this system.



---

**Note:** The Texas Instruments Extensa 600 and 605 are designed to use a Duracell DR35S or DR201 Rechargeable Battery. Texas Instruments participates in the Duracell pro.link program. If you would like to purchase additional batteries, please call the Authorized Duracell Purchase Hotline at 1-800-603-8225. If you have questions about battery performance, recycling a used battery, or any other battery-related question, please call Duracell Consumer Relations at 1-800-551-2355 (9:00 AM - 5:00 PM EST).

---

# Switching to Battery Power

To use battery power, install batteries as described in *Installing the Battery Pack* later in this section.

As long as the battery has a charge remaining, you can switch to battery power by removing the connection to the AC adapter, even if the computer is already on.

Your computer switches back to AC power when an AC adapter is plugged into the computer, even if the computer is already on.

To maintain a full charge on your battery, always reconnect the computer to the AC adapter whenever possible.

# Responding to Low Battery Conditions

There are two battery low stages in this computer. When the battery capacity reaches 7% capacity (about 10 minutes remaining), the system enters the first stage of battery-low warning. At this time the battery low LED found on the LCD panel flashes and an audible warning sounds. You can disable the speaker with the **Fn+End** speaker on/off hot key. You can also keep the battery audible warning from ever sounding by disabling the BATTERY LOW WARNING BEEP option in Setup. If the BATTERY LOW SUSPEND option is enabled in Setup, the system enters 0V Suspend mode after 1 minute of system inactivity if no AC is plugged in.

When the battery capacity reaches 4% capacity (about 2 minutes remaining), a second audible warning sounds. If the BATTERY LOW SUSPEND option is enabled in Setup, the system enters 0V Suspend mode after 10 seconds of system inactivity if no AC is plugged in.

The following actions can maximize the time before the battery is depleted and minimize the effect of losing power:

- Set the screen brightness and contrast control to the lowest possible setting.
- Save your work in progress to minimize the danger of losing data.



# Responding to Low Battery Conditions

- ❑ If you are using a RAM disk, save the contents of the RAM disk to the hard disk drive.
- ❑ Press the **Standby** hot key (**Fn+F4**) to put the computer into Standby mode whenever you are not actively using the computer.
- ❑ Turn off the computer or put the computer in 0V Suspend mode (**Fn+F2**) if it does not need to be active. The computer does not consume power in 0V Suspend mode.

Once your system enters 0V Suspend mode, you can install a fully-charged battery and then resume from 0V Suspend mode. AC power can be connected anytime.

# Recharging the Battery



**Caution: Never recharge the battery differently from the procedure described in this manual.**

The following procedure is acceptable under most circumstances:

1. Install the battery pack in your computer (if not already installed).
2. Connect the AC adapter.

To maintain a full charge, leave the computer connected to the AC adapter except when transporting the computer.

# Conditioning the Battery

The Duracell battery is either a Nickel-Metal-Hydride (NiMH) DR35S or Lithium-Ion (Li-Ion) DR201 rechargeable battery. While Li-Ion batteries do not need conditioning, NiMH batteries require occasional conditioning to maintain a full battery charge. An unconditioned NiMH battery may hold less than half of full charge.

You should condition the battery when you first use your computer and after every five to eight shallow discharges, that is, after you use only a small portion of the battery charge before recharging the battery.

Follow this procedure to condition the battery.

1. Exit Windows 95 by selecting **Restart in MS-DOS Mode** from the Shutdown menu.
2. Enter Setup by pressing the **Setup** hot key (**Fn+F1**).
3. Set the POWER MANAGEMENT FUNCTION parameter to Disabled.
4. Disable the BATTERY LOW SUSPEND parameter.
5. Exit Setup using **Esc** to exit and save the changes.
6. Allow the system to run down completely until it powers off on its own.
7. Connect the AC power, and charge the battery overnight.

# Removing and Installing the Battery Pack

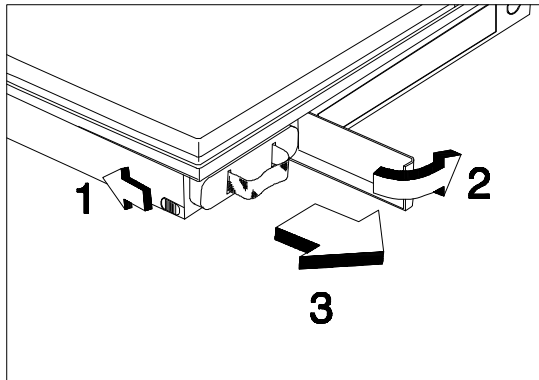
## Removing the Battery Pack

Follow these steps to remove the battery:



**Caution: Turn off the computer or enter 0V Suspend mode before removing a battery pack.**

1. Unlatch the battery compartment door.
2. Slide the battery compartment door out slightly then swing the door open.
3. Pull the battery out by pulling on the loop attached to the battery.



Removing the Battery

# Removing and Installing the Battery Pack

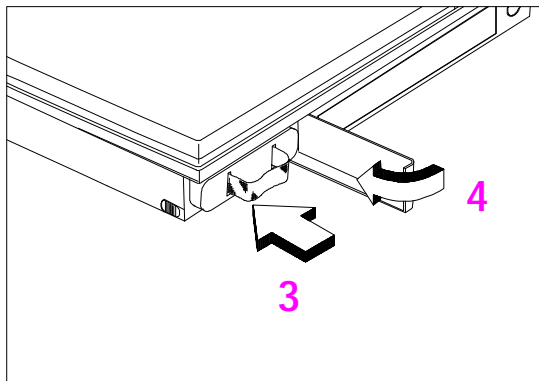
## Installing the Battery Pack

Follow these steps to install the battery:



**Caution: Turn off the computer or enter Suspend mode before installing a battery pack.**

1. Unlatch the battery compartment door.
2. Slide the battery compartment cover out slightly then swing the door open.
3. Insert the battery pack (connector side up) into the compartment, then push the battery completely into the compartment until you feel the contacts engage.
4. Swing the door closed, then slide it back in until it clicks into place and the battery door latches.
5. Reconnect the AC adapter (if necessary).



Sliding the Battery in Place

# Conserving Battery Power

The following tips can help you prolong the life of a battery charge:

- ❑ Keep the display at the lowest comfortable brightness and contrast level. Reducing brightness and contrast even a small amount can significantly reduce power consumption and increase operating time.
- ❑ Set the power management settings in Setup to optimize the time-outs.
- ❑ You can minimize the number of times the computer needs to access the hard disk drive by using disk caches or RAM disks.
- ❑ Disconnect or turn off external options that you are not using.
- ❑ Use only Texas Instruments options. These options are designed to operate with the least possible energy consumption. Third-party options (such as RAM and mouse devices) can drain the battery more quickly.

This chapter provides information on options available for your Extensa computer. For further information, refer to the installation instructions that come with the specific option.

## Contents

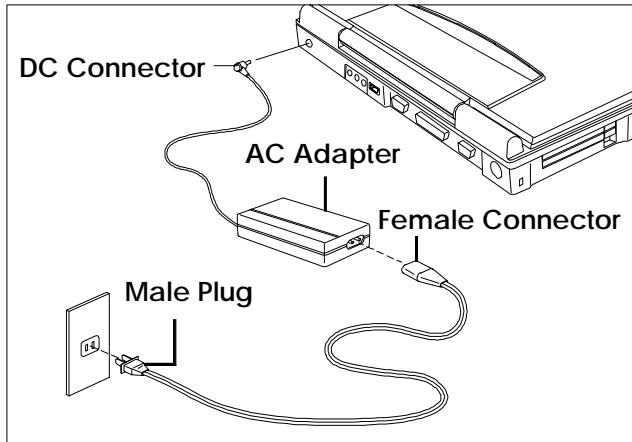
AC Adapter.....	4-2
PC Cards.....	4-3
Numeric Keypad .....	4-4
External Monitor .....	4-5
External Mouse .....	4-6
External Keyboard .....	4-7
Memory.....	4-8
Audio Options .....	4-9
External Floppy Disk Drive .....	4-11
Miscellaneous Options.....	4-12

# AC Adapter

The AC adapter charges the internal battery pack and operates the computer on AC power. The AC adapter can be operated anywhere between 100 - 240 volts AC and has a detachable AC power cord.



**Caution: Use only the AC adapter recommended in this document (TI Part No. 9813497-0001). Another adapter may damage your computer.**



AC Adapter



PC cards are used to add functionality to your computer, such as communicating over a telephone or connecting to a network.

The computer has built-in slots that support one Type III or two Type II/I PC Cards. For a Type III card, insert it into the lower slot.

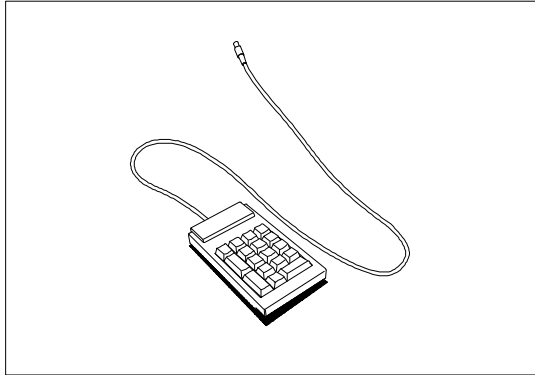
The following PC Cards are available:

- 14.4 KB data/send/receive/fax/ voice modem with XJACK®  
(TI Part No. 9798074-0001).
- Token Ring® Card  
(TI Part No. 9791774-0001)
- 10BaseT Ethernet® Twisted-Pair Card  
(TI Part No. 9791773-0001)
- 10Base2 Ethernet Thin Coax Card  
(TI Part No. 9791773-0002)

For the current list of available PC cards, call 1-800-TI-TEXAS, option 2, 1.

# Numeric Keypad

The optional PS/2 Numeric Keypad (TI Part No. 2581381-0001) can be used instead of the internal numeric keypad.



## PS/2 Numeric Keypad

To use the PS/2 numeric keypad, turn the computer off. Plug the keypad's cable connector into the computer's PS/2 (Mouse/Keyboard) connector located on the rear of the computer (Refer to *Using Connectors and Ports* in Chapter 2).

For further information on the PS/2 Numeric Keypad, refer to instructions that come with your keypad.

# External Monitor

You can connect the computer to external monitors, many of which can display resolutions higher than 640 x 480.

When the computer is connected to an external monitor, you can use the computer with the display closed.

You can also display images on the external and internal display at the same time. This feature is called SimulSCAN™. To enable this feature, set the DISPLAY parameter in Setup to Both. Setup is accessed via the Setup hot key (**Fn+F1**). There is also a hotkey (**Fn+F12**) that lets you easily switch between LCD, CRT or Both (SimulSCAN).

# External Mouse

Although the Extensa comes with a pointing device already installed, you may use an external PS/2 or serial mouse.

- ❑ To connect a PS/2 mouse, insert the connector into the the PS/2 port in the rear of the Extensa.
- ❑ To connect a serial mouse, attach the connector to the 9-pin serial port in the rear of the Extensa.

To detect a serial mouse once plugged in, use the **Add New Hardware** icon in the Control Panel.

# External Keyboard

You can connect any IBM -compatible external PS/2 keyboard. Follow these steps.

1. Attach the six-pin mini-DIN connector to the PS/2 connector on the rear of the Extensa.
2. If the external keyboard is not automatically detected by Windows 95, use the **Add New Hardware** icon in the Control Panel.

# Memory

Your computer is equipped with 8 MB of random access memory (RAM), occupying one memory upgrade slot. There is another memory upgrade slot on the computer. You can increase memory by installing an upgrade module into this slot. You may order the following options from TI:

- ❑ 8 MB RAM (TI Part No. 9811344-0001)
- ❑ 16 MB RAM (TI Part No. 9811344-0002)
- ❑ 32 MB RAM (TI Part No. 9811344-0003)

You can expand RAM from 8 MB up to 64 MB.

For further information, refer to the installation instructions that come with your optional memory.



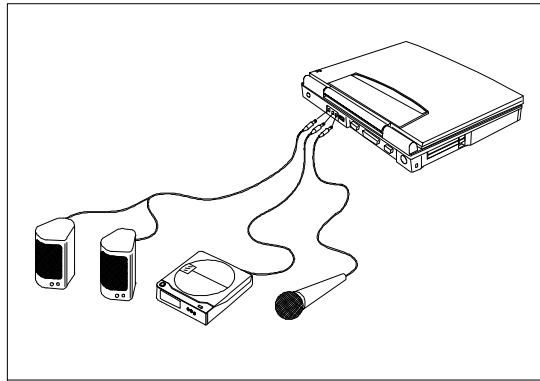
---

**Caution: TI does not warrant the use any memory other than that supplied by TI specifically for the Extensa computer. TI will not be held responsible for problems or degradation of performance incurred by using any memory other than TI memory described in this document.**

---

# Audio Options

Your system comes with a set of built-in stereo speakers, but if you wish to use other stereo equipment and/or use a microphone, the system comes with three audio jacks — Line Out, Line In and Microphone In.



## Connecting Audio Devices

Line Out allows you to use external speakers or headset. The system's internal speakers are disabled when external speakers or headsets are plugged in.

Line In allows you to input an external stereo source into your computer. This allows you to play an external CD through the system speakers, for example, or make a recording if you have the correct software.

# Audio Options

Microphone In allows you to record input into the system through the microphone and allows you to use the speakerphone functions of the Data Race WinMAX™ PCMCIA speakerphone/modem offered by TI.

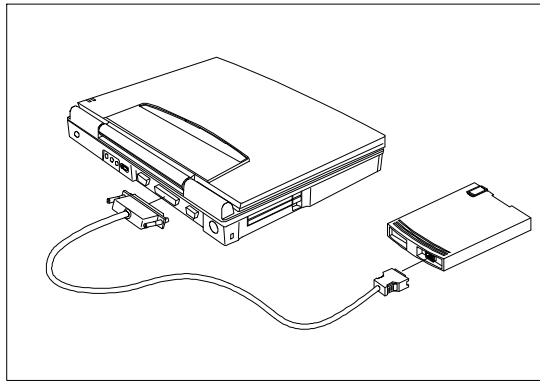


# External Floppy Disk Drive

To connect the external floppy disk drive to your computer you will need the floppy disk drive cable that was included in the accessory box with the floppy disk drive.

Follow these steps.

- 1.** Plug the 25-pin end of the floppy disk drive cable into the parallel port on the rear panel of the computer.
- 2.** Attach the other end of the cable to the floppy disk drive.



Connecting an External Floppy Disk Drive

# Miscellaneous Options

There are additional options available for use with your computer . These include:

**Batteries**      You can purchase spare batteries — Duracell NiMH or Li-Ion — from your local computer store or directly from Duracell. A list of phone numbers to call to order the Duracell batteries is listed in your system. Simply click on the **Duracell** icon to view the directory.

For information on these batteries, refer to Chapter 3, Using Battery Power.

**Carrying Case**      Helps protect the computer and accessories during transport.

Several carrying cases are available including leather cases, accessory cases, portfolios and backpacks.

For the current list of available accessories, call 1-800-TI-TEXAS.

**Printers**      You can connect a parallel printer to the parallel port or a serial printer to the serial port connectors.

This chapter describes the software supplied with the computer and how to configure application software to run on the computer.

## Contents

Using Supplied Software .....	5-2
Getting Online Help .....	5-3
Guidelines for Installing Applications .....	5-4
Adjusting the Software for the Computer .....	5-4
Configuring the Computer for the Software .....	5-5
Using System Passwords.....	5-6
Setting a System Password .....	5-7
Disabling or Changing a System Password.....	5-8

# Using Supplied Software

Your computer is shipped with the following software installed on the hard disk drive:

- Microsoft® Windows 95
- Power-saving utilities
- PC-Doctor (runs from DOS mode only)
- Various third-party application software

# Getting Online Help

All of the supplied software have online help files, which reduce the need to refer to printed manuals and provide you with help information any time it's needed.

To obtain Windows 95 help, select the **Start** button and then select **Help**.

# Guidelines for Installing Applications

## Adjusting the Software for the Computer

Your computer can execute almost all programs written to execute on AT computers. When installing software, you may need to provide the following information to the installation program:

**Display**            The 10.4-inch display has a 640x480 (VGA) resolution. The 12.1-inch display has an 800x600 (SVGA) resolution. When installing an application, select the highest resolution configuration that both the program and the computer can support. If you are using the computer with a high-resolution external monitor, you can select resolutions up to 1024x768 depending on the model of your monitor.

If you select a resolution larger than that supported by your display, you can still view the display panning the screen.

**Keyboard**            The computer keyboard emulates all functions of an IBM AT-101 enhanced keyboard. When installing an application, select the IBM 101 or AT enhanced keyboard configuration.

# Guidelines for Installing Applications

## Mouse

If you are using the built-in pointing device or an external PS/2 mouse, you may select the Microsoft or Standard PS/2 port mouse.

You can also select Synaptics PS/2 touchpad for the built-in pointing device.

## Configuring the Computer for the Software

Some programs require you to modify the way the computer operates to ensure compatibility.

## RAM

Your computer has 8 MB of memory. This is sufficient to run most software. For improved operation, you may want to install additional RAM (refer to Chapter 4 for information on upgrading your memory).

# Using System Passwords

The computer implements a two-password security system –Supervisor and User.

The Supervisor password is used by system administrators who manage multiple notebooks and gives an extra level of security while still allowing users to set their individual Setup preferences in the system Setup menu. If only one password is set, the Supervisor password is also the User password.

If both the Supervisor password and the User password is set, the Supervisor password must be entered to gain access to the Setup Security options: Supervisor Password, Diskette Access, and Fixed disk boot sector.

Both passwords prevent unauthorized access to the computer at system startup or when the computer resumes from 0V Suspend mode if the PASSWORD CHECK DURING RESUME parameter in Setup is enabled.



## Setting a System Password



---

**Caution:** If you forget the system password, you will not be able to use your computer. To regain access, you will need to send your computer to Texas Instruments. See Appendix A. *This service is not covered by warranty.*

---

To set a password in Setup, follow these steps:

1. Press **Fn+F1** (or just F2 during boot) to enter Setup.
2. Press the arrow keys to move to SECURITY.
3. Move down the screen to a Password parameter, then press **Enter**. (Note the Supervisor password must be set before the User password can be set)
4. A box pops up requesting a new password.
5. Enter the new password (up to seven printable text characters) and press **Enter**, then retype the password for verification and press **Enter**.
6. The password will be active once you save the changes and exit Setup.

If you set a password, you will be prompted for the new password before starting your system or entering Setup.

# Using System Passwords

## Disabling or Changing a System Password

To disable or change a system password:

1. Press **Fn+F1** (or just F2 during boot) to enter Setup.
2. Enter your password when prompted.
3. Press the arrow keys to move to SECURITY.
4. Move down the screen to a Password parameter, then press **Enter**.



---

**Note:** You will only be able to change the User Password if you used the User password to enter Setup. You will be able to change both the User Password and the Supervisor Password if you used the Supervisor password to enter Setup.

---

5. Enter a new password to set a new password, or only press **Enter** with no entries to clear the password. Verify your entry, then press **Enter**.
6. Save the changes then exit Setup.

This chapter describes all the considerations to help you take advantage of your computer's mobility.

## Contents

Overview of Mobility .....	6-1
Disconnecting from the Desktop.....	6-3
Moving Around.....	6-4
Preparing the Computer.....	6-4
What to Bring to Short Meetings .....	6-4
What to Bring to Long Meetings .....	6-4
Taking the Computer Home .....	6-5
Preparing the Computer.....	6-5
What to Bring with You.....	6-5
Special Considerations.....	6-6
Setting Up a Home Office .....	6-7
Traveling with the Computer.....	6-8
Preparing the Computer.....	6-8
What to Bring with You.....	6-8
Special Considerations.....	6-8
Traveling Internationally with the Computer .	6-9
Preparing the Computer.....	6-9
What to Bring with You.....	6-9
Special Considerations.....	6-9

# Overview of Mobility

## Disconnecting from the Desktop

No matter where you are taking your computer, you need to disconnect it from your desktop accessories.

## Moving Around

“Moving around” refers to using your computer at different locations within the same building, for example, taking it with you to meetings.

## Taking the Computer Home

Since you are taking the computer to the same place every night, you can save yourself time and effort by setting up a home desktop.

## Traveling with the Computer

The farther you get away from home or office, the more important it is to bring the necessary equipment and supplies with you.

## Traveling Internationally with the Computer

Traveling internationally with your computer creates special concerns you need to address before you leave the country.

# Disconnecting from the Desktop

Follow these steps to disconnect your computer from external accessories.

- 1.** Save your work in progress.
- 2.** Shut down the operating system.
- 3.** Turn off the computer.
- 4.** Disconnect the cord from the AC adapter.
- 5.** Disconnect the keyboard, pointing device, printer, external monitor, and other external devices.
- 6.** Disconnect the Kensington lock if you are using one to secure the computer.

## Preparing the Computer

Before moving the computer, press **Fn-F2** to place it in 0V Suspend mode. After placing the computer in 0V Suspend mode, close and latch the cover. You can now safely take the computer anywhere you go within the building.

When you turn on the computer, the system is restored to its saved state.

## What To Bring to Short Meetings

A fully charged battery runs the computer for 2-3 hours under most circumstances. If your meeting is shorter than that, you probably do not need to bring anything with you other than the computer.

## What To Bring to Long Meetings

If your meeting will last longer than 3 hours or if your battery is not fully charged, you may want to bring the AC adapter with you to plug in your computer in the meeting room.

If the meeting room does not have an electrical outlet, reduce the drain on the battery by putting the computer in Standby mode (**Fn-F4**) whenever you are not actively using the computer.

# Taking the Computer Home

## Preparing the Computer

After disconnecting the computer from your desktop, follow these steps to prepare the computer for the trip home.

1. Remove all media from the drives. Failure to remove the media can damage the drive head.
2. Pack the computer in a protective case that can prevent the computer from sliding around and cushion it if it should fall.



---

**Caution: Avoid packing items next to the top cover of the computer. Pressure against the top cover can damage the screen**

---

## What To Bring with You

Unless you already have some items at home, bring the following items with you.

- AC adapter
- The printed user's manual

## Special Considerations

Follow these guidelines to protect your computer while traveling to and from work.

- ❑ Minimize the effect of temperature changes by keeping the computer with you.
- ❑ If you need to stop for an extended period of time and cannot bring the computer with you, leave the computer in the trunk of the car to avoid exposing the computer to excessive heat.
- ❑ Changes in temperature and humidity can cause condensation. Allow the computer to return to room temperature, and inspect the screen for condensation before turning on the computer. If the temperature change is greater than 18°F (10°C), allow the computer to come to room temperature slowly. If possible, leave the computer for 30 minutes in an environment with a temperature between outside and room temperature.



# Taking the Computer Home

## Setting Up a Home Office

If you frequently work on your computer at home, it may be worthwhile purchasing a second AC adapter for use at home. With a second AC adapter, you can avoid transporting the extra weight to and from home.

If you use your computer at home for significant periods of time, you might also want to add an external keyboard, monitor, or mouse.

# Traveling with the Computer

## Preparing the Computer

Prepare the computer as if you were taking it home. Be sure the battery in the computer is charged. Airport security often requires you to turn on your computer when bringing it to the gate area.

## What To Bring with You

Bring the following items with you.

- AC adapter
- Modular bay accessories
- Spare, fully-charged battery packs
- Additional printer driver files if you plan to use another printer
- The printed user's manual

## Special Considerations

In addition to the guidelines for taking the computer home, follow these guidelines to protect your computer while traveling.

- Always take the computer as carry-on luggage
- Have the computer inspected by hand. Do not put the computer through a security X-ray machine or a metal detector.

# Traveling Internationally with the Computer

## Preparing the Computer

Prepare the computer as you would normally prepare it for traveling.

## What To Bring with You

Bring the following items with you.

- AC adapter
- Power cords that are appropriate to the country to which you are traveling
- Modular bay accessories
- Spare, fully-charged battery packs
- Additional printer driver files if you plan to use another printer
- Proof of purchase, in case you need to show it to Customs officials
- The printed User's Manual

## Special Considerations

Follow the same special considerations as when traveling with the computer.

# Care and Troubleshooting

---

This chapter tells you how to clean your computer safely and solve operational problems.

## Contents

Cleaning the Computer .....	7-2
Troubleshooting Tips .....	7-3
Startup Error Messages .....	7-4

# Cleaning the Computer

Regularly take the time to check your computer and clean the screen, keyboard, and case to ensure trouble-free computing.



---

**Caution: Never use alcohol, benzene, thinner, or strong chemical agents that could damage the computer's case, and never apply liquid directly to the computer, only to a clean cloth. Never spray cleaning fluid or any liquid directly onto the case or screen.**

---

Keep the case of the computer free of dust. Apply a small amount of mild liquid cleaner to a dry, lint-free cloth, and wipe the case with the cloth.

The surface of the screen is covered with a protective plastic film that may become smeared and accumulate dust during use. Avoid touching the screen with your fingers.

Clean the screen regularly by applying a small amount of diluted neutral detergent to a dry, lint-free cloth. Gently rub the surface of the screen with the cloth.

# Troubleshooting Tips

Computer does not come on when power switch is pressed

- ❑ Low battery; use AC adapter and recharge battery.
- ❑ Ensure AC adapter cable and power cord are securely connected.
- ❑ Connect AC adapter to another outlet.

Computer power is on but screen is blank

- ❑ Adjust contrast and brightness control.
- ❑ The LCD standby timer in Setup is enabled and has expired. Press any key or move the mouse.
- ❑ Computer set for external monitor; cycle power, use **Fn+F12** to switch to LCD panel display, or plug in an external monitor.

Computer indicates an error at start-up

- ❑ Turn the computer off; wait several seconds; then turn the computer on again. If error persists, check list of error messages for corrective action. Press **Fn+F1** to ensure all settings are correct.

# Startup Error Messages

## Disk drive A error

- ❑ Drive A: is present but fails the BIOS POST disk tests.
- ❑ Enter Setup and check that the drive is defined with the proper disk type.

## Extended RAM Failed at offset: *nnnn*

- ❑ Extended memory is not working or configured properly at offset *nnnn*.
- ❑ Contact your dealer or an authorized service center.

## Failing Bits: *nnnn*

- ❑ The *nnnn* is a map of the bits at the RAM address which failed the memory test.
- ❑ Contact your dealer or an authorized service center.

## Fixed Disk 0 Failure

- ❑ Hard disk drive is not working or not configured properly.

## Fixed Disk Controller Failure

- ❑ Run Setup to check if the hard disk drive type is correctly identified (try setting this to [Auto]).

## Incorrect Drive A type

- ❑ The disk drive type is not correctly identified in Setup.
- ❑ Run Setup and set the correct disk drive type.

# Startup Error Messages

Invalid NVRAM media type

- ❑ There is a problem with NVRAM (CMOS) access.
- ❑ Contact your dealer or an authorized service center.

Keyboard controller error

- ❑ The keyboard controller failed the test.
- ❑ You may have to replace the keyboard or the controller. Contact your dealer or an authorized service center.

Keyboard error

- ❑ The keyboard is not working.
- ❑ Contact your dealer or an authorized service center.

Keyboard error *nn*

- ❑ BIOS discovered a stuck key and displays the scan code *nn* for the key.
- ❑ Loosen the key.

Operating system not found

- ❑ Operating system cannot be located on either Drive A: or Drive C:.
- ❑ Enter Setup and verify that these two parameters are properly identified.
- ❑ Reset the HDD or reinsert the floppy disk.



# Startup Error Messages

Press <F1> to resume,  
<F2> to Setup

- ❑ This message is displayed after any recoverable error message. Press **F1** to start the boot process or **F2** to enter Setup and change any settings.

Previous boot  
incomplete - Default  
configuration used

- ❑ Previous POST did not complete successfully. POST then loads default values and offers to run Setup.

Real time clock error

- ❑ Run Setup to check for incorrect settings.

- ❑ Realtime clock fails test.

- ❑ This may require board repair. Contact your dealer or an authorized service center.

Shadow Ram Failed at  
offset: *nnnn*

- ❑ Shadow RAM failed at offset *nnnn* of the 64K block at which the error was detected.

- ❑ Contact your dealer or an authorized service center.

System battery is dead  
- Replace and run  
SETUP

- ❑ The CMOS clock battery indicator shows that the battery is dead.
- ❑ Replace the battery and run Setup to reconfigure the system.

# Startup Error Messages

System cache error -  
Cache disabled

- ❑ RAM cache failed the BIOS test and BIOS disabled the cache.
- ❑ Contact your dealer or an authorized service center.

System CMOS  
checksum bad -  
run SETUP

- ❑ System CMOS has been corrupted or modified incorrectly, perhaps by an application program that changes data stored in CMOS.
- ❑ Run Setup and reconfigure the system either by restoring default values and/or making your own selections.

System RAM Failed at  
offset: *nnnn*

- ❑ System RAM failed at offset *nnnn* of the 64K block at which the error was detected.
- ❑ Contact your dealer or an authorized service center.

System time error

- ❑ The timer test failed.
- ❑ This requires system board repair. Contact your dealer or an authorized service center.



# Where To Get Help

---

## Technical Assistance

Customer support for your computer is available 24 hours a day, 7 days a week. Please have your serial number ready when you call.

<b>Phone (US / Canada)</b>	(800) 848-3927
<b>Phone (International)</b>	(817) 771-5856
<b>Fax</b>	(817) 774-6660
<b>TDD</b>	(800) 735-2989
<b>Email</b>	<a href="mailto:nbk_techsupport@tx.acer.com">nbk_techsupport@tx.acer.com</a>
<b>Mail</b>	Customer Satisfaction Line P.O. Box 6102 MS 3258 Temple, TX 76503-6102

# Where To Get Help

## Ordering Notebook Products

Phone (US / Canada)	(800) TI-TEXAS Option 2,1
Phone (International)	(817) 774-6969
Fax	(800) 44FAX-TI
TDD	(800) 735-2989
BBS	(817) 774-6809
Email	2TI@msg.ti.com
Mail	TI Express P.O. Box 6102 MS 3255 Temple, TX 76503-6102

## World Wide Web

<http://www.ti.com/notebook/index.html>

## Feedback on Manuals

To comment on the manuals for your computer, send email to \*PUBT@msg.ti.com

# Worldwide Sales Offices

## Australia

Texas Instruments Australia Ltd.  
6-10 Talavera Road  
North Ryde, NSW 2113  
Tel: (02) 878-9000  
Fax: (02) 805-1186

Royal Domain Centre  
14th Floor  
380 St. Kilda Road  
Melbourne, VIC. 3004  
Tel: (03) 696-1211  
Fax: (03) 696-4446

## Belgique/België (Belgium)

S.A. Texas Instruments Belgium  
N.V.  
11, Avenue Jules Bordetlaan 1,  
1140 Bruxelles, Brussel  
Tel: (32) 27 45 54 00  
Fax: (32) 27 45 54 10  
Telex: 61161 TEXTBEL

## Canada

Texas Instruments Incorporated  
Personal Productivity Products  
41 Shelley Road  
Richmond Hill  
Ontario L4C 564

## Danmark (Denmark)

Texas Instruments A/S  
Borupvang 2D  
DK-2750 Ballerup  
Tel: (45) 44 68 74 00  
Fax: (45) 44 68 64 00  
Telex: 35123 TEXIN

## Deutschland (Germany)

Texas Instruments Deutschland  
GmbH.  
Personal Productivity Products  
Haggertystraße 1  
85356 Freising  
Tel: 0180/2326878  
Fax: 0180/2326879

## Eire (Ireland)

Texas Instruments Ireland Ltd.  
( )

## España (Spain)

Texas Instruments España S.A.  
C/Gobelas, 43  
Ctra de la Coruña Km. 14  
La Florida  
28023 Madrid  
Tel: (91) 307 72 18  
Fax: (91) 307 68 64

## France

Texas Instruments France  
Produits de Productivité  
Personnelle  
Avenue Morane Saulnier, B.P. 67  
Vélizy Villacoublay cedex  
Service après-vente  
Tel: (1) 30 70 11 02  
Fax: (1) 30 70 12 32

## Greece

( )

# Worldwide Sales Offices

## Holland

S.A. Texas Instruments Belgium  
N.V.  
11, Avenue Jules Bordetlaan 1,  
1140 Bruxelles, Brussel  
Tel: (32) 27 45 54 00  
Fax: (32) 27 45 54 10  
Telex: 61161 TEXBEL

## Hong Kong

Texas Instruments Hong Kong  
Ltd.  
15th Floor, Tower 2, The  
Gateway  
25-27 Canton Road  
Kowloon, Hong Kong  
Tel: (852) 9567288  
Fax: (852) 9561078

## Hungary

( )

## India

( )

## Israel

( )

## Italia (Italy)

Texas Instruments Italia S.p.A.  
Personal Productivity Products  
Centro Direzionale Colleoni  
Palazzo Perseo  
Via Paracelso 12  
20041 Agrate Brianza Milano  
Tel: +39-(0)39-68421  
Fax: +39-(0)39-652206

## Korea

Texas Instruments Supply  
Company  
Korea Branch  
( )

## Latin America Region

Texas Instruments  
P.O. Box 149149, MS 2223  
Austin, Texas 78714-9149  
U.S.A.  
Tel: (512) 250-4051  
Fax: (512) 250-7456

## Malaysia

Texas Instruments Malaysia Sdn  
Bhd - Asia Pacific Division  
100 Jalan Tun Perak  
Lot 36-1, Menara Maybank  
50050 Kuala Lumpur  
Tel: 02-03-2085708/02-03-2086001  
Fax: 02-03-2306605

## Middle-East and Africa

Texas Instruments Italia S.p.A.  
Personal Productivity Products  
Centro Direzionale Colleoni  
Palazzo Perseo  
Via Paracelso 12  
20041 Agrate Brianza Milano  
Tel: +39-(0)39-68421  
Fax: +39-(0)39-652206

## Norge (Norway)

Texas Instruments Norge A/S  
PB 106 - Refstad (Sinsenveien 53)  
0513 Oslo 5  
Tel: (02) 155090

# Worldwide Sales Offices

## **Österreich (Austria)**

Texas Instruments G.m.b.H.  
Laxenburgerstraße 52  
A-1100 Wien  
Tel: 01/604 19 31 71  
Fax: 01/604 19 31 85

## **Schweiz/Suisse**

Texas Instruments (Switzerland)  
Bernstr. 388  
CH-8953 Dietikon  
Tel: (41) 01/745 58 58  
Fax: (41) 01/742 06 16

Route de la Chocolatière 3  
CH-1026 Echandens-Denges  
Tel: 021/701 53 54  
Fax: 021/702 24 94

## **Singapore**

Texas Instruments Singapore  
(PTE) Ltd.  
Personal Productivity Products  
Asia Pacific Region  
990, Bendemeer Road,  
Singapore 1233  
Republic of Singapore  
Tel: 65-3907149 / 65-3907080  
Fax: 65-3907060

## **Suomi Finland**

Texas Instruments OY  
Tekniikatie 12  
SF-02150  
Espoo, Finland  
Tel: (90) 435 42033  
Fax: (90) 467 323

## **Sverige (Sweden)**

Texas Instruments International  
Trade Corporation  
(Sverigefilialen)  
Box 30  
S-164 93 Kista  
Isafjordsgatan 7  
Tel: (08) 752 58 00  
Fax: (08) 751 97 15

## **Taiwan**

Texas Instruments Taiwan Ltd.  
26F, 216, Sec. 2, Tun Hua S. Road,  
Taipei 106, Taiwan  
Tel: 886-2-3762889  
Fax: 886-2-3772908

## **United Kingdom**

Texas Instruments Ltd.  
Kempton Point  
68 Staines Road Wes  
Sunbury on Thamest  
Middlesex TW16 7AX  
Tel : 01784 212 200  
Fax : 01784 212 662

## **United States of America**

Texas Instruments Incorporated  
5701 Airport Road  
Temple, Texas 76502  
U.S.A.  
Tel: 817-771-5856