

Service Manual

Notebook Computer
CF-28

Simplified

TOUGHBOOK

This is the Service Manual for
the following areas.
M...for U.S.A. and Canada

Model Number Reference

The following models are numbered in accordance with the types of CPU, LCD and HDD etc. featured by product.

Model No. CF-281230545

- 1: CPU type
S: Mobile Intel® Pentium® III Processor-M 1.0 GHz
- 2: LCD type
R: 12.1" TFT Color with Touch Screen
- 3: HDD type / RAM size
J: 30 GB / 256 MB
- 4: Operation System
K: Microsoft® Windows® XP Professional
- 5: Area
M: Refer to above area table

WARNING


This service information is designed for experienced repair technicians only and is not designed for use by the general public. It does not contain warnings or cautions to advise non-technical individuals of potential dangers in attempting to service a product. Products powered by electricity should be serviced or repaired only by experienced professional technicians. Any attempt to service or repair the product or products dealt with in this service information by anyone else could result in serious injury or death.

Panasonic®

© 2003 Matsushita Electric Industrial Co., Ltd. All rights reserved. Unauthorized copying and distribution is a violation of law.








Replacement Parts List

Note: Important Safety Notice

Components identified by  mark have special characteristics important for safety. When replacing any of these components, use only manufacturer's specified parts.

CF-28SRJ05KM

Main Block Unit, Accessories and Mechanical Parts

REF. NO and AREA	PART NO.	DESCRIPTION	RTL	Q'TY
Main Block Unit				
E 1	DL3U11151JXB	PCB, MAIN	RTL	1
E 2	DL3U21151JXB	PCB, RJ	RTL	1
E 3	DL3U31151JXB	PCB, IR	RTL	1
E 4	DL3U41151JXB	PCB, BATT	RTL	1
E 6	DL3U11162CAA	PCB, I/O	RTL	1
E 7	N5BDBA000002	PCB, TOUCH SCREEN		1
E 8	DL3UP1163AAA	FPC UNIT, MP		1
E 9	N3CABQD00009	HDD		1
E 10	DFWV99A0072	HDD MOUNTING KIT		1
E 10-01	DL3UP1120AXA	FPC UNIT, HDD		1
E 13	L5BDD3N00008	LCD		1
E 15	DFJE40N027BB	FFC, I/O CONNECTION		2
E 16	DFJE9137ZA	FFC, TOUCH PAD		1
E 18	N2EAEEC00001	TOUCH PAD		1
E 19	DFJS659WA	CABLE, INNER, RJ11		1
E 21	DFJS669ZA	CABLE, SPEAKER		1
E 22	DFSE058ZB	POWER SWITCH, WIRED		1
E 23	DFSE059ZA	MICROPHONE, WIRED		1
E 24	DFSE060YA	LEAD SWITCH, WIRED		1
E 25	L0AA02A00017	SPEAKER		1
E 26	DFJS711YB	CABLE, LCD		1
E 27	DFJS666ZA	CABLE, TS EXTENSION		1
E 28	 N0GF1J000002	INVERTER		1
E 29	DFSX1A71TATG	KEYBOARD		1
E 30	DFWP0125UA	MODEM MODULE		1
E 31	CR2032/S5J	BATTERY, COIN		1
E 32	DL1BA0151AAA	ASS'Y, FDD		1
E 32-01	DFJE9077ZA	FFC, FDD		1
E 32-02	 N3AAAAA00004	FDD		1
E 32-03	DL3U21162CAA	PCB, FDD	RTL	1
E 41	DL3U61151JXB	PCB, TS12		1
E 42	DL3UP1143AAA	PCB, SENSOR	RTL	1
E 43	DFWV84A0216	TOUCH SCREEN PANEL KIT		1
E 43-1	DFHG1473YA	TP SPACER A		2
E 43-2	DFHG1474YA	TP SPACER B		2
E 44	DFJS671ZA	CABLE, INVERTER EXTENSION		1
E 51	L9DZAA000003	HEATER		1
E 215	DFJS663YA	CONNECTOR/CABLE, RJ45		1
E 216	N5HBC0000001	LAN UNIT		1
Accessories				
A 1	 DFQX5323XA	OPERATING INSTRUCTION MANUAL		1
A 2	 CF-AA1653M1	AC ADAPTER		1
A 4	DFHS9017ZA	CLOTH, LCD		1
A 5	 DFJS535ZB	MODEM CABLE		1
A 6	DFKH1012ZA-0	STRAP		1
A 7	 K2CG3DR00003	AC CABLE		1
A 8	 N4HUNSA00002	BATTERY PACK, LITHIUM		1
A10	DFHR9039ZA-0	STYLUS PEN		1
Packing Material				
P 1	DFPE0611ZA	HOLDER, MANUAL		1
P 2	DFPK1063YA	CASE		1
P 3	DFPN0754YA	CUSHION, PACKAGE		1
Mechanical				
K 201	DXQT2+D25VL	SCREW		5

K 202	DFHG1415ZA	DAMPER (A), HDD	1
K 203	DFHG1462YB	TAB (A), HDD	1
K 204	DFHM0229ZA	SHAFT, HDD CONNECTOR	1
K 205	DFHR5851YA	CONNECTOR GUIDE, HDD	1
K 206	DFHR3193YA	DAMPER, HDD, B	1
K 207	DFHR3192YA	DAMPER, HDD, A	1
K 208	DFHR7961YA	TAB (B), HDD	1
K 210	DFMD2133WA	HOLDER, HDD	1
K 211	DFMD9073ZB	HDD COVER	1
K 212	DFMX0909ZA	FPC SHEET, HDD	1
K 213	DFQT6244ZA	HDD SHEET	2
K 301	DFGL0018ZC-3	LENS, FDD	1
K 302	DFGX0178PA-0	CABINET, FDD	1
K 303	DFGX0179VA-0	BACK PANEL, FDD	1
K 304	DFHE5076YA	SCREW	4
K 305	DFHR4050ZA	TUBE, LED	1
K 306	DFHR5440YA	GUIDE, FDD CONNECTOR	1
K 308	DFHR8295ZC	LS DAMPER, UNDER-1	1
K 309	DFHR8296ZB	LS DAMPER, UNDER-2	2
K 310	DFHR8297ZC	DAMPER, FDD	2
K 311	DFHE0088ZA	CUSHION, FDD	3
K 312	DFMD7339ZA	CHASSIS, FDD	1
K 313	DFMD7340ZA	CLAMP, FDD	2
K 314	DFMD7445YA	CLAMP, FDD CONNECTOR, PCB	1
K 315	XTB2+6GFZ	SCREW	1
K 316	XTB26+8GFZ	SCREW	4
K 404	DFWV80A0325	ASSY, LCD FRONT CABINET	1
K 404-1	DFKF0218YA-4	LCD FRONT CABINET	1
K 404-2	DFHE0418ZA	LID MAGNET	1
K 404-3	DFHP7113ZB	SHEET, LCD PANEL	1
K 404-4	DFHG1309ZAT	LCD PACKING	1
K 404-5	DFHG1347XAT	TS DAMPER	4
K 404-6	DFHG1487ZA	TS DAMPER B	10
K 500	DFUV0070ZA	BLIND SHEET (TOP), PCMCIA	1
K 501	DFUQ0081ZA	SPRING, R	2
K 502	DFMD7846ZA	ANGLE, MP FPC	1
K 503	DFMC0613ZA	TAPE A, EMI	1
K 504	DFMC0722YA	SPRING, L, EARTH	1
K 505	DFMC0723ZA	SHEET, CONDUCTIVE	1
K 506	DFMX0939ZA	SHEET 11, RJ11	1
K 507	DFMX0973YA	SHEET, INSULATING, MAIN PWB	1
K 508	DFMX0999ZA	SHEET, FIXING, RJ11 CABLE	1
K 509	DFMX1006ZA	SHEET, CABLE	1
K 510	DFMY0294ZA	RUBBER, HEAT RADIATION, CPU	2
K 511	DFHE5104YA	SCREW	2
K 512	DFHG1539YA	PACKING, WATERPROOF, KB CABLE, UPPER	1
K 513	DFHG1541YA	PACKING, WATERPROOF, LCD CABLE, UPPER	1
K 514	DXSB3+8VL	SCREW	2
K 515	DFHG1464YB	PACKING, WATERPROOF, LCD CABLE	1
K 516	DFHG1532ZA-0	PACKING, WATERPROOF, PAD BUTTON	1
K 517	DFHG1540ZA	PACKING, WATERPROOF, KB CABLE, LOWER	1
K 518	DFHG1542ZA	PACKING, WATERPROOF, LCD CABLE, LOWER	1
K 519	DXSN26+5FNL	SCREW	4
K 520	DFHP7115ZA	TAPE, WATERPROOF, TOUCH PAD BUTTONS	1
K 521	DFBC0281ZA	BUTTON, PAD	1
K 522	DFKE0630ZA-0	BACK GUARD, BOTTOM, R	1
K 523	DFGE9004ZA-0	ASSY, LOCK DUMMY	1
K 524	DFHR3183YA	NET, SPEAKER	1
K 525	DFHR3198ZA-0	LABEL, POWER SW	1
K 526	DFHR3293ZA	SHEET, MP EJECT	1
K 528	DFHR9042ZB	ASSY, KNOB R	1
K 529	DFHR9043WB	ASSY, KNOB L	1
K 530	DFKE0629ZB-4	HOLDER, REINFORCEMENT	1

K 531	DFKE0655YA-0	COVER, HINGE	1
K 532	DFKE0657ZA	COVER, KB CABLE	1
K 533	DFKE0658ZB-4	COVER, HDD/BAT	1
K 534	DFHR3181ZA	PACKING, HDD/BATT COVER	1
K 535	DFHR3278ZA	CORE HOLDER, RJ11	1
K 538	DFHR7968ZA	SHEET, CDD	1
K 540	DFHE0489ZB	CUSHION, HDD	1
K 541	DFHP7106YA	TAPE, KEYBOARD	1
K 542	DFQT9675ZA	LABEL, ENERGY STAR	1
K 543	DFQT9821ZA	LABEL, MODEM	1
K 544	DFJE10T032BS	FFC, IrDA	1
K 545	DFMC0724ZA	SHEET, CONDUCTIVE, HDD	1
K 546	DFMX0921ZA	SHEET, INSULATION, RJ11	1
K 547	DFMX1063ZA	SHEET, INSULATION, IrDA	1
K 548	DFMX1000ZA	SHEET, CONDUCTIVE, CPU	1
K 549	DFWV82A0127	ASS'Y, MP COVER	1
K 550	DFWV82A0128	ASS'Y, CONNECTOR COVER	1
K 551	DFWV82A0129	ASS'Y, PC CARD COVER	1
K 552	DFHR3203ZA	SHEET, LCD SPACER	2
K 553	DFHG1568ZA	DAMPER, LCD HINGE	2
K 2	DFBE0010YA-0	RING, POWER SW	1
K 3	DFGL0096XA-0	LENS (A), LED	1
K 4	DFGL0097ZB-0	LENS (B), LED	1
K 5	DFGX0293ZA-0	COVER PLATE, LAN	1
K 6	DFGX0289XA-0	COVER, PALM TOP, MID	1
K 7	DFGX0290ZA-0	COVER, PALM TOP, L	1
K 8	DFGX0291ZA-0	COVER, PALM TOP, R	1
K 9	DXQT2+D25VL	SCREW	10
K 10	DXSB26+5VL	SCREW	24
K 11	DFHE5058ZA	SCREW	6
K 13	DXSB26+6VL	SCREW	8
K 14	DFHE5104YA	SCREW	9
K 16	DFHG1407YA	PACKING, WATERPROOF, RJ11	1
K 17	DFHG1423XA-0	COVER, SERIAL PORT	1
K 18	DFHG1424WB-0	COVER, USB PORT	1
K 19	DFHG1433YA	CUSHION, SPEAKER	1
K 20	DFHG1609ZA-0	COVER, DC-IN	1
K 21	DFHG1463ZA	CUSHION, MICROPHONE	1
K 22	DFHG1481ZA	PACKING, WATERPROOF, ANTENNA CABLE	1
K 23	DFHG1465ZA	PACKING, WATERPROOF, BODY	1
K 25	DFHG1467ZB	CUSHION, LEAD SWITCH	1
K 28	DFHG809ZA	RUBBER, LCD STOP	2
K 31	DFHG814ZB	PACKING RING, WATERPROOF, POWER SW	1
K 32	DFHG815XA	PACKING, WATERPROOF, TOUCH PAD	1
K 40	DFHR7938ZC	SHEET, WATERPROOF, MICROPHONE	1
K 42	DFHR7940ZB	SHEET, SW COVER, WM	1
K 49	DFKH1011ZA-4	ASS'Y, HANDLE	1
K 50	DFMC0406XA	GASKET, MP	1
K 52	DFMD1144YA	ANGLE, LOCK STOPPER	1
K 53	DFMD1145YA	ANGLE, PCMCIA	1
K 54	DFMD4032ZA	PLATE, COVER, SERIAL PORT	1
K 55	DFMD4033ZA	PLATE, COVER, DC-IN/USB PORT	2
K 57	DFMD7745ZA	ANGLE, MODEM CONNECTOR	1
K 58	DFMD7747ZA	ANGLE-A, HEAT PIPE	1
K 59	DFMD7748ZA	ANGLE-B, HEAT PIPE	1
K 60	DFMD7749ZB	ANGLE, LOCK BACK	1
K 62	DFMD7753WA	HOLDER, LED LENS	1
K 63	DFMD7756YA	ANGLE-A, BATTERY HOOK	1
K 64	DFMD7757YA	ANGLE-B, BATTERY HOOK	2
K 67	DFMX0900ZA	SHEET, INSULATING	1
K 68	DFMX0903ZA	TAPE	2
K 71	DFMY0276YA	RUBBER, HEAT PIPE	1
K 73	DFMY9014ZC	HEAT PIPE	1
K 76	DFUS0279ZA	GROUND BOARD SPRING-A	1
K 77	DFUS0280ZA	GROUND BOARD SPRING-B	1
K 82	DFUW0109ZA	SPRING, POWER SWITCH	1


K 84	XTB2+6GFZ	SCREW	2
K 86	DXYN3+J10V	SCREW	7
K 87	DXSB3+5VL	SCREW	7
K 88	DFGB0087ZA-0	BADGE, TOUGH BOOK	1
K 89	DFHG1478XA	DAMPER, LCD BACK	1
K 90	DFWV80C0461	ASS'Y, BOTTOM CABINET	1
K 90-01	DFBD0146YA-0	LOCK KNOB, MP	1
K 90-02	DFBE0011ZA-4	EJECT TAB, MP	1
K 90-03	DFHM0234ZA	SHEET, MP TAB	1
K 90-04	DFGX0308ZA-0	PAT, BOTTOM BACK, L	1
K 90-05	DFGX0309ZA-0	PAT, BOTTOM BACK, R	1
K 90-06	DXQT2+D25VL	SCREW	6
K 90-07	DFHR5848XA	MP EJECT	1
K 90-08	DFHR5870ZA	MP EJECT GEAR	1
K 90-09	DFHR3012ZA	SHEET, MP EJECT	1
K 90-10	DFHR7937ZA	MP WATER PROOF SHEET	1
K 90-11	DXYN2+F4V	SCREW	2
K 90-12	DFMX0962ZA	SPACER, MP LEVER	1
K 90-13	DFKE0058ZA-4	LID, CONFIG	1
K 90-14	DFKF0225YA-4	BOTTOM CABINET	1
K 90-15	DFMD4030ZB-4	EJECTOR, MP	1
K 90-16	DFUQ0061ZBT	MP LOCK SPRING	1
K 90-17	DFUW0064YAT	MP EJECT SPRING	1
K 90-18	DXQT2+H3FNLT	SCREW	1
K 90-19	DFHR3200ZAT	SHEET, COVER, BOTTOM CONFIG	1
K 90-20	DFHR3019ZA	TAPE, BOTTOM, R	1
K 90-21	DFHR3020ZA	TAPE, BOTTOM, L	1
K 91	DFWV80A0327	ASS'Y, TOP CABINET	1
K 91-01	DFBH1080YAT	HINGE	6
K 91-02	DFGL0095ZA-0	IrDA PANEL	1
K 91-03	DFGX0273WA-0	CORNER GUARD A	1
K 91-04	DFGX0274WA-0	CORNER GUARD B	1
K 91-05	DFGX0341ZA-0	CORNER GUARD C	1
K 91-06	DFGX0342ZA-0	CORNER GUARD D	1
K 91-08	DXQT2+D25VL	SCREW	18
K 91-09	DFHG1130ZAT	CUSHION	1
K 91-10	DFHG1533ZA	PACKING, MEDIA POCKET	1
K 91-11	DFHG1534ZA	PACKING, CARD SLOT	1
K 91-12	DFHM0247ZA-4	LATCH, CARD SLOT LID	1
K 91-13	DFHM0248ZA-4	LATCH, MEDIA POCKET LID	1
K 91-14	DFHR5857ZA-0	LATCH, I/O LID	1
K 91-15	DFHR7922XA	CUSHION	1
K 91-16	DFHR7923YA	CUSHION	1
K 91-17	DFKE0439ZBT0	SLIDING DOOR	1
K 91-19	DFKE0580YB-4	LID, I/O	1
K 91-20	DFKE0581XA-4	LID, MEDIA POCKET	1
K 91-21	DFKE0582YB-4	LID, CARD SLOT	1
K 91-22	DFKE0583ZA-0	COMM PACK HOUSING L	1
K 91-23	DFKM0409YA-4	TOP CABINET	1
K 91-24	DFMD2109ZBT	BACK ANGLE	1
K 91-25	DFMD7751XA	PLATE, MEDIA POCKET	1
K 91-26	DFMD7752YA	PLATE, CARD SLOT	1
K 91-27	DFUQ0089ZA	SPRING	2
K 91-28	DFUQ0084YA	SPRING	1
K 91-29	DXSB2+5VL	SCREW	4
K 91-30	DFMX0937ZA	SHEET, WATERPROOF, TOP CABINET	1
K 91-35	DFHE5104YA	SCREW	2
K 92	DFWV80C0460	ASS'Y, REAR CABINET, LCD	1
K 92-1	DFKM0379XA-4	LCD REAR CABINET	1
K 92-2	DFHG1365ZAT	LCD SUPPORTER A	1
K 92-3	DFGX0269XB-0	LCD CORNER GUARD A	1
K 92-4	DFGX0270XB-0	LCD CORNER GUARD B	1
K 92-5	DFGX0271YA-0	LCD CORNER GUARD C	1
K 92-6	DFGX0272YA-0	LCD CORNER GUARD D	1
K 92-7	DFHR3021ZB	TAPE	2
K 92-8	DFHR3022ZA	LCD TAPE B	2
K 93	DFBH1117YA	HINGE L	1
K 94	DFBH1118YA	HINGE R	1

K 95	DFBS9002XA-4	LCD LATCH	1
K 96	DFGB0070ZA-1	BADGE, PANA	1
K 97	DFHG1476XA	DAMPER, LCD SIDE B	1
K 99	DFHG1432ZC-0	RUBBER, ANTENNA WATERPROOF	1
K 100	DFHG1475YA	DAMPER, LCD HINGE A	2
K 101	DFHG1488YA	DAMPER, LCD HINGE B	2
K 102	DFHP7093ZA	SHEET, CONNECT FPC	2
K 105	DFHR7973ZA	DAMPER, TAPE, BACK	2
K 106	DFHR7974YA	SHEET, INV HOLD	1
K 107	DFMD7772YA	PLATE, LCD HOLD	2
K 108	DFMX0383ZA	COVER, INSULATION	7
K 109	DFMX0868YA	COVER, INSULATION, INV	1
K 110	DFMX0869XA	COVER, INSULATION, TS	1
K 111	DFMX0907YA	CABLE GUIDE, INV	1
K 112	DFMX0906ZA	COVER, TS EXTENSION	1
K 115	DFHG1420ZA	RUBBER, ANTENNA	1
K 117	DFMY0278YA	SHEET, LCD	2
K 118	DFUW0095ZC	SPRING, LATCH	1
K 119	DXYN26+J10V	SCREW	14
K 120	DXYN26+J8VL	SCREW	2
K 121	DFGT0899ZA	RATING LABEL	1
K 122	DFQT9664ZA-1	SEAL, TOUGH BOOK	1
K 123	DXQT2+D25VL	SCREW	8
K 124	DFHE5119ZA	SCREW	4
K 125	DFHR7955ZA	CUSHION, BATT	1
K 126	DFMX0383WA	SHEET, INSULATION	2
K 128	DFMX0902ZA	SHEET, CPU	1
K 129	DFMX0904ZA	SHEET, CONNECT DIMM	1
K 131	DFMY3104ZA	ANGLE, CPU	1
K 132	K1NBD6G00002	CONNECTOR, PCMCIA	1
K 133	K1YY68000006	CONNECTOR, PCMCIA	1
K 140	DFHE0450ZA	GASKET	2
K 141	DFMD7743YA	ANGLE, JACK	1
K 142	DFMD7847YA	PLATE, IrDA	1
K 143	DFGT0823ZB	SHEET, HEAT	1
K 144	DFMC0689ZA	CONDUCTIVE CLOTH, PCMCIA	1
K 145	DFHE5104YA	SCREW	1
K 146	DFMC0683ZA	GASKET, PCMCIA	1
K 147	DFHR7986ZB	MICROPHONE SPACER	1
K 154	DXYN3+J8VL	SCREW	4
K 157	DFHG1429YA	RUBBER, PACKING	1
K 161	DFHR5886ZA	DROP HOLDER, LCD	2
K 162	DFMC0684ZA	GASKET, KB	4
K 163	DFHG1480ZA	SHEET, L. SENSOR WATERPROOF	1
K 164	DFHE0473ZA	GLASS FILTER	1
K 165	DFHR5896ZA	HOLDER, L, SENSOR	1
K 166	DFHG1477ZB	DAMPER, LCD SIDE C	2
K 167	DXSB26+5VL	SCREW	1
K 174	DFHP7107ZA	SHEET, WATERPROOF, LED INDICATORS	1
K 177	DFMX0938ZA	SPACER, T/PAD	1
K 182	DFHE0241ZA	CUSHION, HDD /BATTERY LID	1
K 186	DFHG370ZA	RUBBER, FOOT	2
K 189	DFMD7784ZA	ANGLE, BATTERY PCB	1
K 197	DFMX1066ZA	SHEET, INSULATION	2
K 750	DFMC0772ZA	SHEET, LCD EMI	1
K 826	DFMC0693ZA	GASKET, LAN	1
K 827	DFMX0921ZA	SHEET, INSULATION, LAN	1
K 828	DFHG1468ZA	RUBBER, RJ11 PACKING	1
K 830	DFHE0610ZA	GASKET	1
K 831	DFHE0611ZA	GASKET	1
K 832	DFHE0612ZA	GASKET	1
K 833	DFHE0615ZA	GASKET	2
K 834	DFHE0612ZA	GASKET	1
K 835	DFHE0613ZA	GASKET	1
K 836	DFHE0614ZA	GASKET	1
K 837	DFHR7952ZA	CUSHION, LAN	1
K 838	DFHR7953ZA	SHEET, LAN	1
K 839	DFHR7970ZA	SPACER, LAN	1

K 840	DFQT9800ZA	LABEL, POWER SW	1
K 880	DFHE0618ZA	KB INSULATION SHEET	1
K 881	DXSB2+5VL	SCREW	3
K 882	DFKE0577ZB-0	COMM PACK HOUSING R	1
K 950	DFHR3310ZA	SHEET, MP PAC TOP	1
K 951	DFHR3311ZA	SHEET B, MP PAC TOP	1
K 952	DFHG845ZA	SHEET	1
K 953	DFHP7139ZA	TAPE, CORE	1
K 954	DFHR5922ZA	LOCK BLOCK	1
K 955	DFHR3370ZA	SPACER, SPEAKER	1
K 956	DFMX0634ZA	SHEET, CD EDGE	5
K 957	DXSB26+5VL	SCREW	1

Replacement Parts List Comparison Table

Note: Important Safety Notice

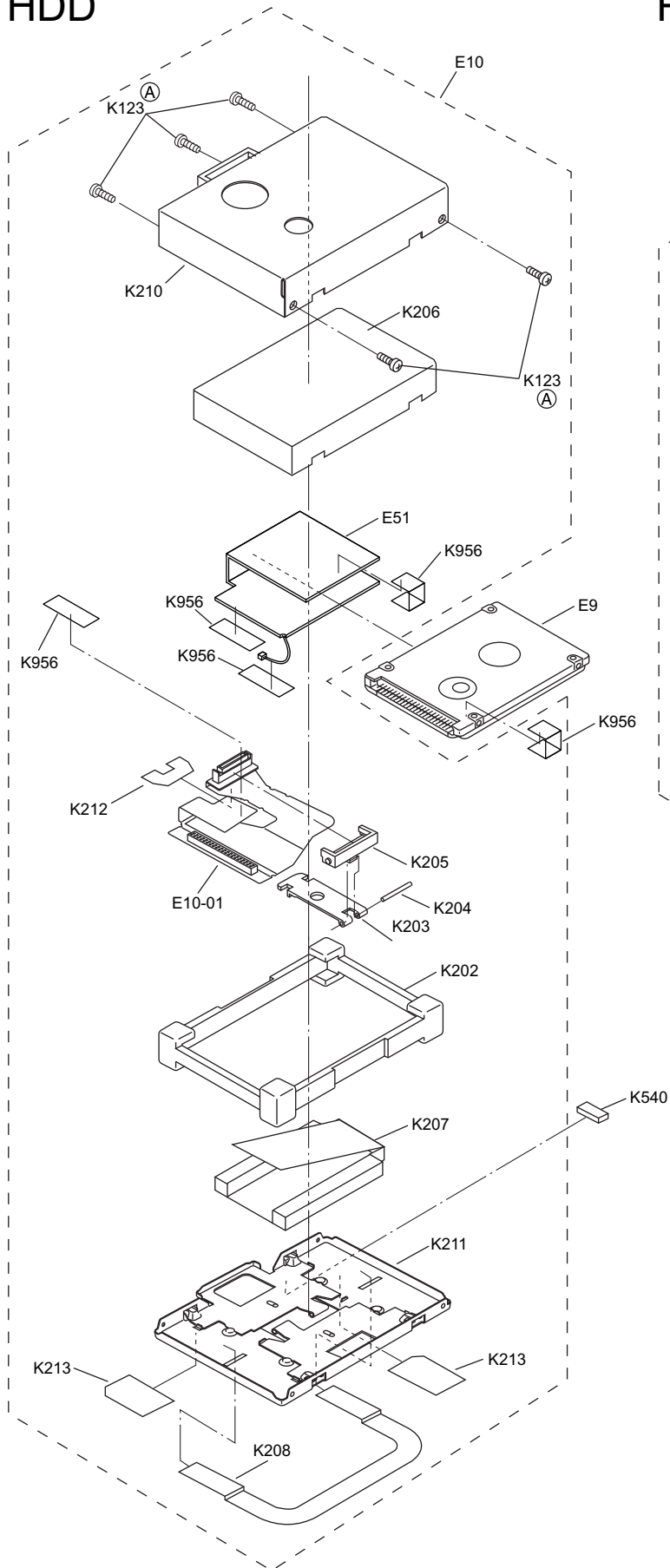
Components identified by  mark have special characteristics important for safety.

When replacing any of these components, use only manufacturer's specified parts.

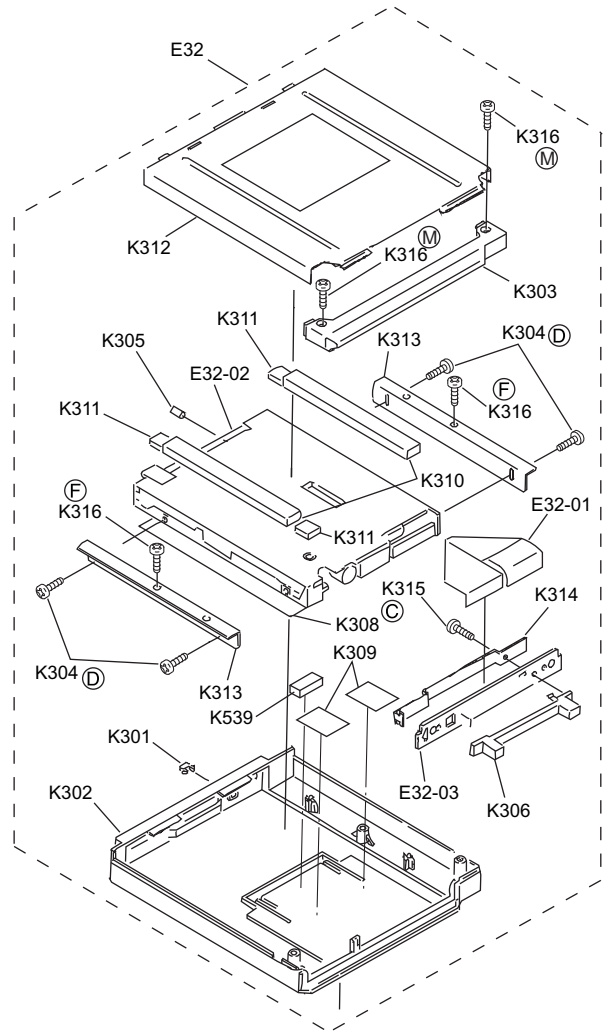
CF-28SRJ05KM

REF. NO. and AREA	PART NO.		DESCRIPTION	Q'TY
	CF-28S3JGZKM	CF-28SRJ05KM		
TS12 PCB				
CN852	-----	K1MN08B00073	CONNECTOR	0->1
CN853	-----	K1KA04B00137	CONNECTOR	0->1
SENSOR PCB				
C1 2 4 5 6	-----	ECUV1C104ZV	CAPACITOR, 16V, 0.1μF	0->5
C3	-----	DCUE1C106MBY	CAPACITOR, 16V, 10μF	0->1
CN1	-----	DFJP217ZA006	CONNECTOR	0->1
CN2	-----	K1KA07A00132	CONNECTOR	0->1
IC1	-----	B3JB00000007	IC, PHOTO	0->1
IC2	-----	C0DBZHC00014	IC, REGULATOR	0->1
IC3	-----	DA7ST08U85L0	IC, CMOS	0->1
Q1	-----	2SC4081RT107	TRANSISTOR	0->1
R1 4	-----	ERJ3GEYJ103V	RESISTOR, 1/16W, 10kΩ	0->2
R2	-----	ERA3YED221V	RESISTOR, 1/16W, 220Ω	0->1
R3	-----	ERA3YED101V	RESISTOR, 1/16W, 100Ω	0->1

HDD



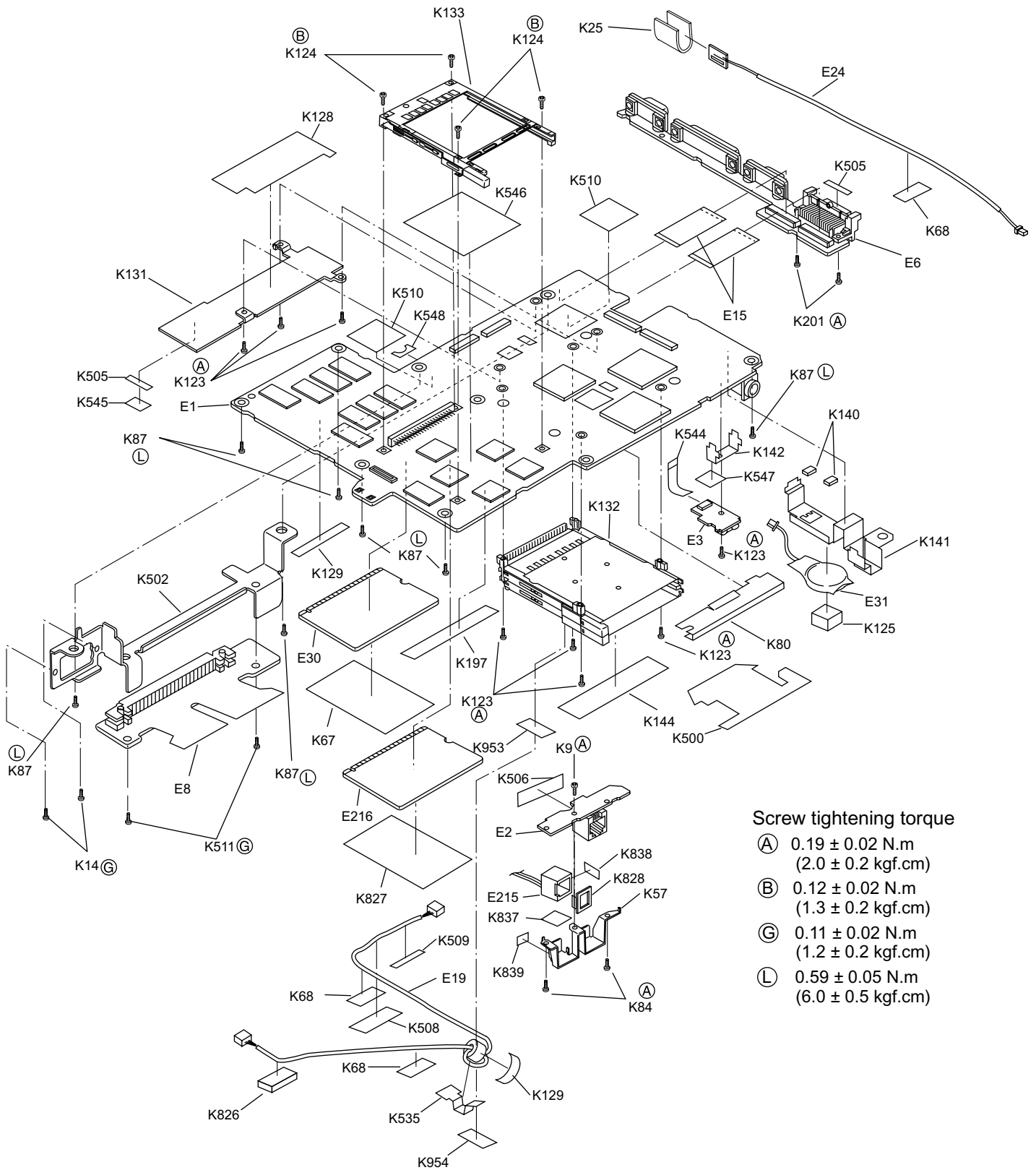
FDD



Screw tightening torque

- (A) 0.19 ± 0.02 N.m
(2.0 ± 0.2 kgf.cm)
- (B) 0.12 ± 0.02 N.m
(1.3 ± 0.2 kgf.cm)
- (C) 0.216 ± 0.0196 N.m
(2.2 ± 0.2 kgf.ácm)
- (D) 0.314 ± 0.0196 N.m
(3.2 ± 0.2 kgf.cm)
- (E) 0.49 ± 0.05 N.m
(5.0 ± 0.5 kgf.cm)
- (F) 0.441 ± 0.049 N.m
(4.5 ± 0.5 kgf.cm)
- (G) 0.11 ± 0.02 N.m
(1.2 ± 0.2 kgf.cm)
- (M) 0.45 ± 0.03 N.m
(4.5 ± 0.3 kgf.cm)

PCB



Screw tightening torque

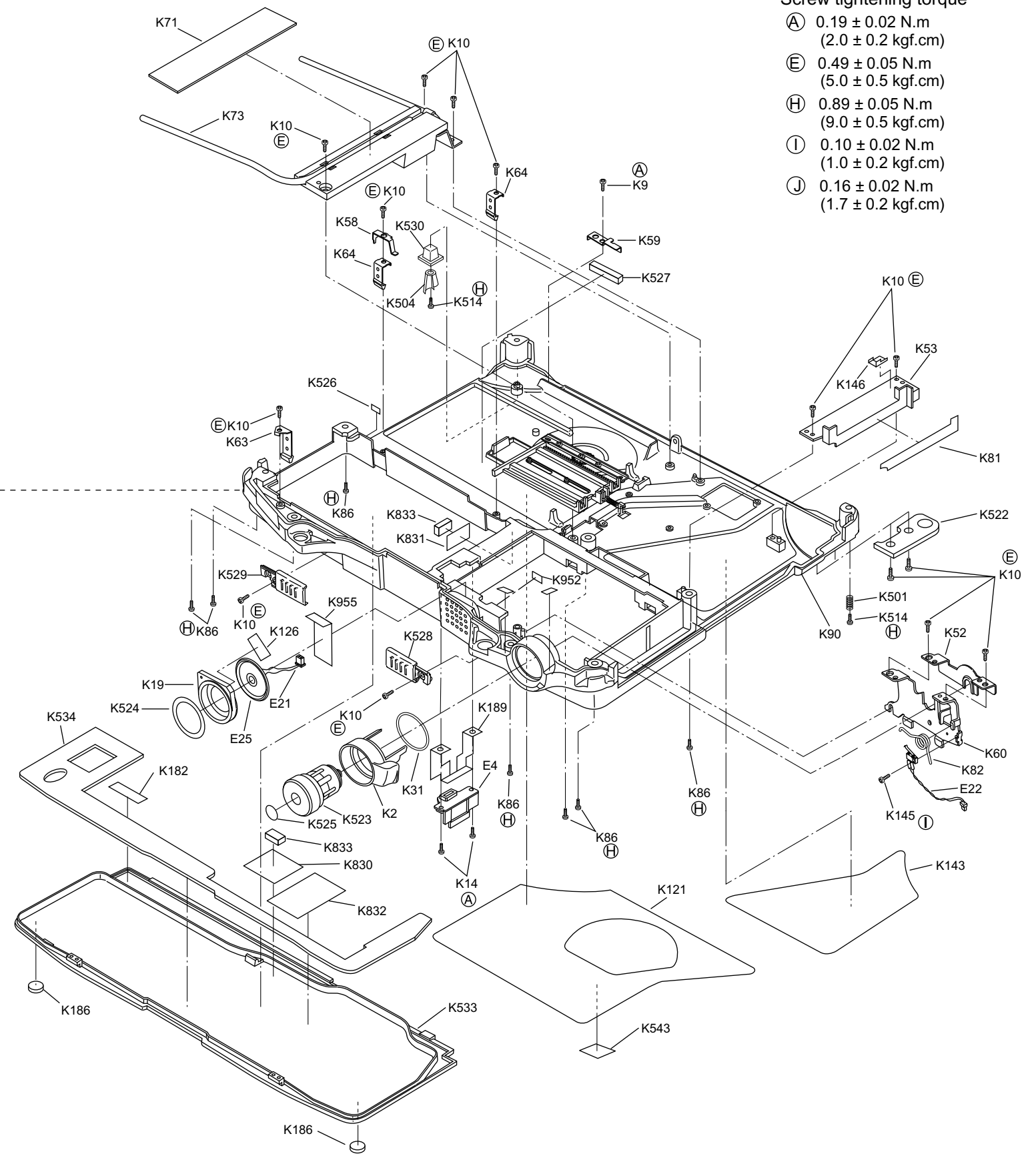
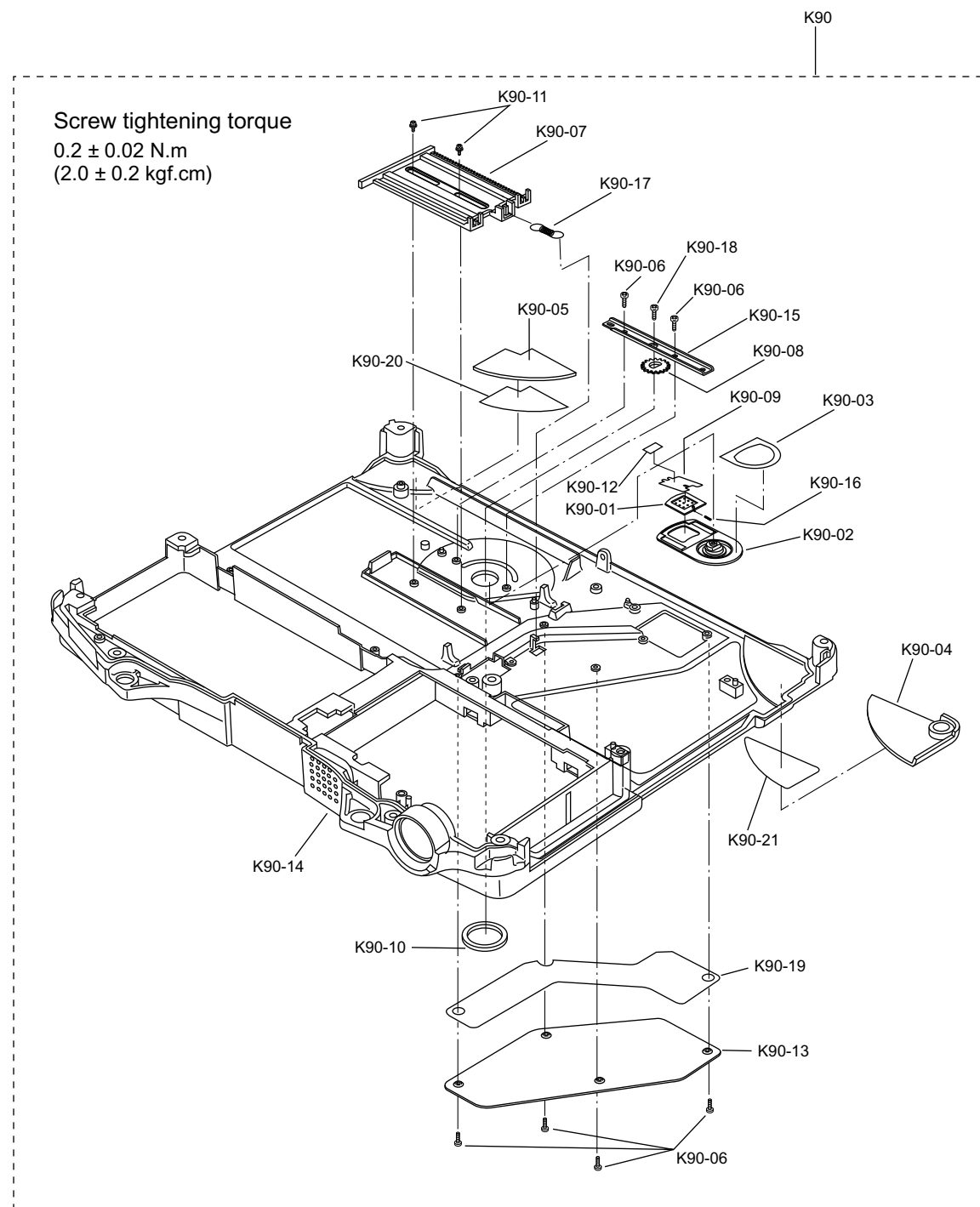
- (A) 0.19 ± 0.02 N.m
(2.0 ± 0.2 kgf.cm)
- (B) 0.12 ± 0.02 N.m
(1.3 ± 0.2 kgf.cm)
- (G) 0.11 ± 0.02 N.m
(1.2 ± 0.2 kgf.cm)
- (L) 0.59 ± 0.05 N.m
(6.0 ± 0.5 kgf.cm)

BOTTOM CABINET

Screw tightening torque

- Ⓐ 0.19 ± 0.02 N.m
(2.0 ± 0.2 kgf.cm)
- Ⓔ 0.49 ± 0.05 N.m
(5.0 ± 0.5 kgf.cm)
- Ⓕ 0.89 ± 0.05 N.m
(9.0 ± 0.5 kgf.cm)
- Ⓖ 0.10 ± 0.02 N.m
(1.0 ± 0.2 kgf.cm)
- Ⓙ 0.16 ± 0.02 N.m
(1.7 ± 0.2 kgf.cm)

Screw tightening torque
0.2 ± 0.02 N.m
(2.0 ± 0.2 kgf.cm)



LCD

Screw tightening torque

Ⓚ 0.55 ± 0.051 N·m
(5.5 ± 0.5 kgf·cm)

