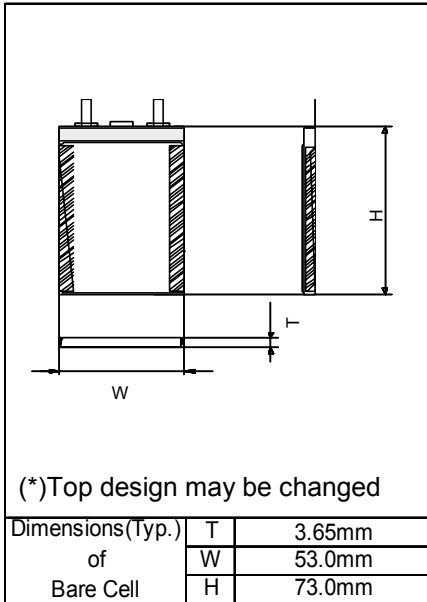


## Lithium Polymer

# Cell Type UPF385374

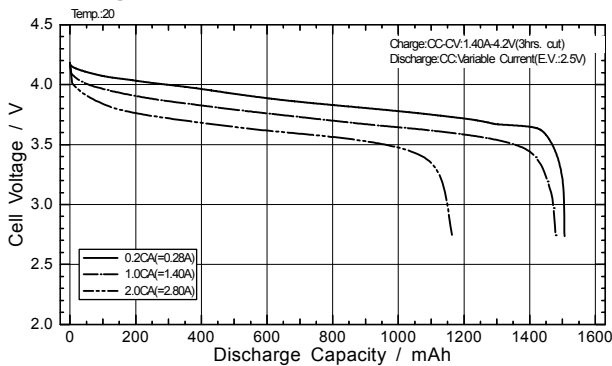
## Specifications



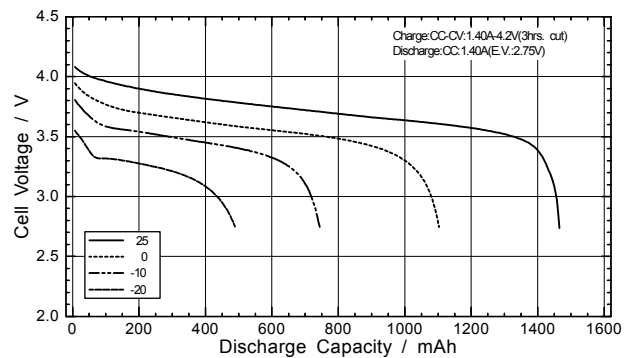
Nominal Capacity		1400mAh
Nominal Voltage		3.7V
Charging Method		Constant Current -Constant Voltage
Charging Voltage		4.2V
Charging Current		Std. 1400mA
Charging Time		3.0hrs.
Ambient Temperature	Charge	0~+40°C
	Discharge	-20~+60°C
	Storage	-20~+60°C
Weight (Max.)		31.0g
Dimensions (Max.)	(T) *	3.85mm
	(W)	53.00mm
	(H)	73.50mm
Volumetric Energy Density		345Wh/l
Gravimetric Energy Density		167Wh/kg

### Typical Characteristics

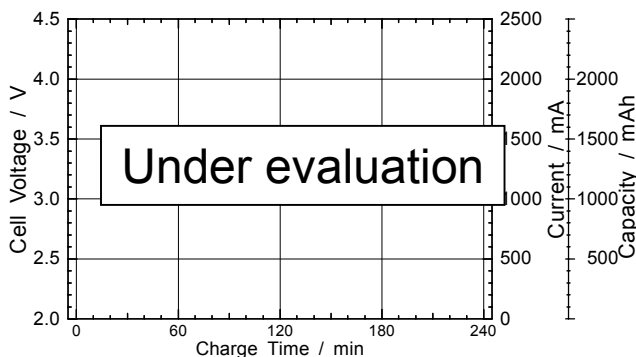
Discharge rate characteristics



Discharge temperature characteristics



Charge characteristics



Cycle characteristics

