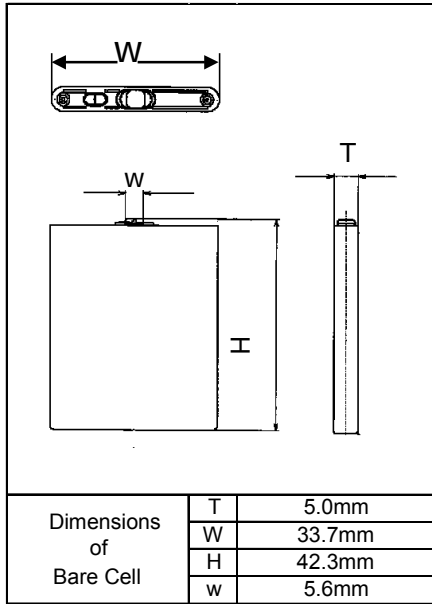




**Lithium ion**

# Cell Type UF553443R

## Specifications



Nominal Capacity		Min.800mAh
Nominal Voltage		3.7V
Charging Method		Constant Current -Constant Voltage
Charging Voltage		4.2V
Charging Current		Std. 800mA
Charging Time		2.5hrs.
Ambient Temperature	Charge	0~+40°C
	Discharge	-20~+60°C
	Storage	-20~+50°C
Weight (Max.)		16.9g
Dimensions (Max.)	(T)	5.40mm
	(W)	33.85mm
	(H)	42.60mm
Volumetric Energy Density		380Wh/l
Gravimetric Energy Density		175Wh/kg

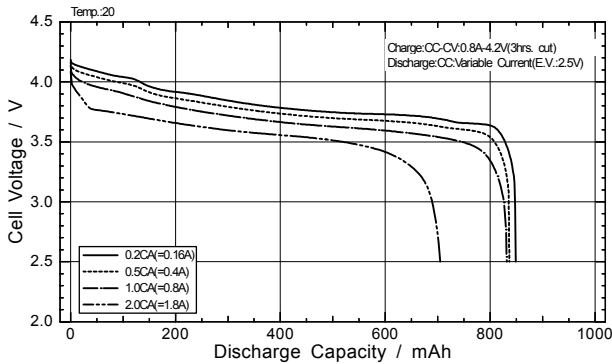
Discharged State after Assembling

\*The maximum thickness of the standard shipment charging condition

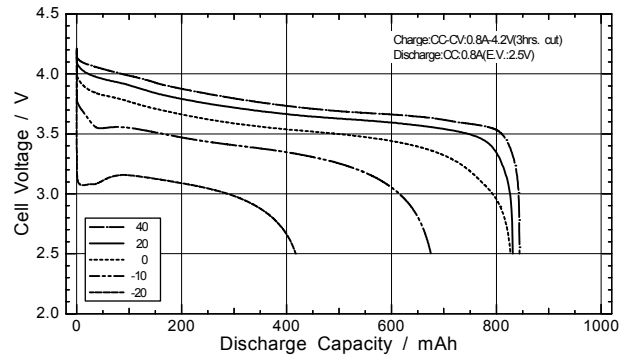
### Typical Characteristics

\*When designing a battery pack, get the precise information on a cell battery drawing

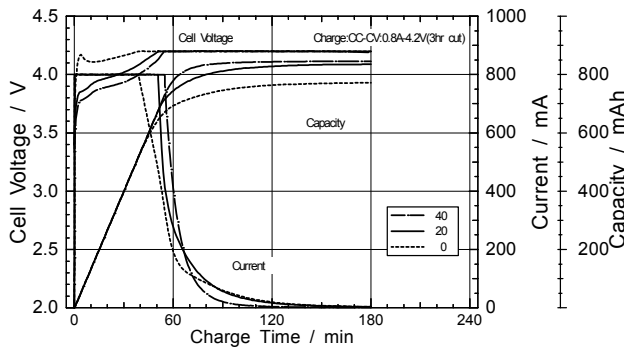
#### Discharge rate characteristics



#### Discharge temperature characteristics



#### Charge characteristics



#### Cycle characteristics

