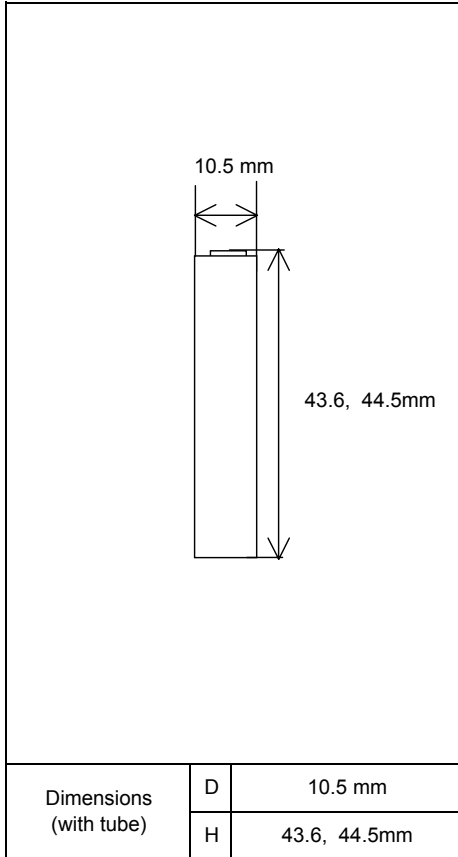


## Specifications



Type : Nickel-Metal Hydride Battery		Size : AAA
Capacity <sup>1)</sup>	Typical	730mAh
	Minimum	650mAh
Nominal Voltage		1.2V
Charging Current x Time	Fast Charge <sup>2)</sup>	730 mA x about 1.1h
Ambient Temp.	Charge Condition	Fast Charge <sup>2)</sup>
	Discharge Condition	0°C - 50°C
	Storage Condition	Less than 30days
Less than 90days		-20°C - 40°C
Less than 1year		-20°C - 30°C
Internal Impedance <sup>3)</sup> (after discharge to E.V.=1.0V)		About 35mΩ(at 1000Hz)
Weight <sup>4)</sup>		About 13 g
Size <sup>4)</sup> : (Diameter) x (Height)		10.5(D) x 43.6, 44.5(H)

1)Single cell capacity under the following condition.

Charge : 73mA×16h, Discharge : 146mA(E.V.=1.0V) at 20°C

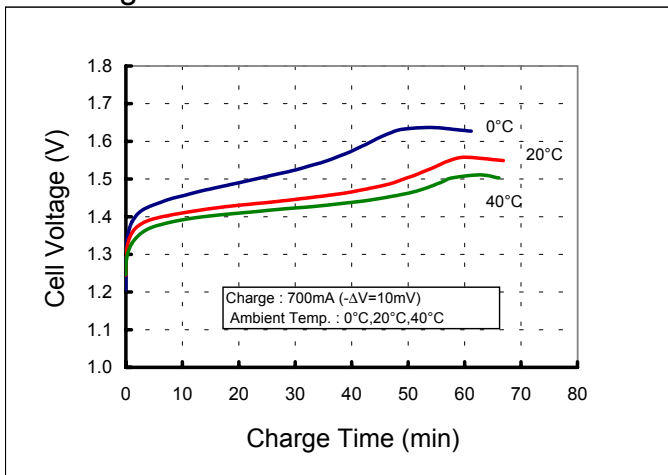
2)Use recommended charging system.

3)After a few charge and discharge cycles under the above 1) condition.

4)With tube.

## Typical Characteristics

### Charge



### Discharge

