



# **Maintenance and Service Guide**

HP Compaq nx6110/nc6110 and  
nx6120/nc6120 Notebook PCs

Document Part Number: 373146-001

February 2005

This guide is a troubleshooting reference used for maintaining and servicing the notebook. It provides comprehensive information on identifying notebook features, components, and spare parts; troubleshooting notebook problems; and performing notebook disassembly procedures.

© Copyright 2005 Hewlett-Packard Development Company, L.P.

Microsoft and Windows are U.S. registered trademarks of Microsoft Corporation. Intel, Pentium, and Celeron are trademarks or registered trademarks of Intel Corporation or its subsidiaries in the United States and other countries. Bluetooth is a trademark owned by its proprietor and used by Hewlett-Packard Company under license.

The information contained herein is subject to change without notice. The only warranties for HP products and services are set forth in the express warranty statements accompanying such products and services. Nothing herein should be construed as constituting an additional warranty. HP shall not be liable for technical or editorial errors or omissions contained herein.

Maintenance and Service Guide  
HP Compaq nx6110/nc6110 and nx6120/nc6120  
Notebook PCs  
First Edition February 2005  
Document Part Number: 373146-001

---

# Contents

## 1 Product Description

- 1.1 Features . . . . . 1-2
- 1.2 Resetting the Notebook . . . . . 1-4
- 1.3 Power Management . . . . . 1-5
- 1.4 External Components . . . . . 1-6
- 1.5 Design Overview . . . . . 1-22

## 2 Troubleshooting

- 2.1 Computer Setup . . . . . 2-1
- 2.2 Troubleshooting Flowcharts . . . . . 2-5

## 3 Illustrated Parts Catalog

- 3.1 Serial Number Location . . . . . 3-1
- 3.2 Notebook Major Components . . . . . 3-2
- 3.3 Miscellaneous Plastics Kit . . . . . 3-12
- 3.4 Miscellaneous Cable Kit . . . . . 3-13
- 3.5 Mass Storage Devices . . . . . 3-14
- 3.6 Miscellaneous (Not Illustrated) . . . . . 3-15
- 3.7 Sequential Part Number Listing . . . . . 3-18

## 4 Removal and Replacement Preliminaries

- 4.1 Tools Required . . . . . 4-1
- 4.2 Service Considerations . . . . . 4-2
- 4.3 Preventing Damage to Removable Drives . . . . . 4-3
- 4.4 Preventing Electrostatic Damage . . . . . 4-4
- 4.5 Packaging and Transporting Precautions . . . . . 4-5
- 4.6 Workstation Precautions . . . . . 4-6
- 4.7 Grounding Equipment and Methods . . . . . 4-6

## **5 Removal and Replacement Procedures**

5.1	Serial Number . . . . .	5-2
5.2	Disassembly Sequence Chart . . . . .	5-3
5.3	Preparing the Notebook for Disassembly . . . . .	5-5
5.4	Notebook Feet . . . . .	5-10
5.5	Bluetooth Board . . . . .	5-11
5.6	External Memory Module . . . . .	5-12
5.7	Mini PCI Communications Card . . . . .	5-15
5.8	Optical Drive . . . . .	5-17
5.9	Keyboard . . . . .	5-19
5.10	Switch Cover . . . . .	5-24
5.11	LED Board . . . . .	5-26
5.12	Fan . . . . .	5-28
5.13	Heat Sink . . . . .	5-29
5.14	Processor . . . . .	5-31
5.15	Modem Board . . . . .	5-33
5.16	Internal Memory Module . . . . .	5-34
5.17	RTC Battery . . . . .	5-36
5.18	Display Assembly . . . . .	5-37
5.19	Top Cover . . . . .	5-40
5.20	Speaker . . . . .	5-45
5.21	Digital Media Board . . . . .	5-48
5.22	USB/Audio Board . . . . .	5-50
5.23	System Board . . . . .	5-52
5.24	Serial Connector Module . . . . .	5-55

## **6 Specifications**

### **A Connector Pin Assignments**

### **B Power Cord Set Requirements**

### **C Screw Listing**

### **Index**

# 1

---

## Product Description

The HP Compaq nx6110/nc6110 and nx6120/nc6120 Notebook PCs offer advanced modularity, Intel® Pentium® M and Celeron® processors, and extensive multimedia support.



*HP Compaq nx6110/nc6110 and nx6120/nc6120  
Notebook PCs*

## 1.1 Features

- The following processors are available, varying by notebook model:
  - ❑ Intel Pentium M 2.13-, 2.00-, 1.86-, 1.73-, 1.60-, or 1.30-GHz processor,
  - ❑ Intel Celeron 1.5- or 1.4-GHz
- The following displays are available, varying by notebook model:
  - ❑ 15.0-inch, SXGA+WVA, TFT (1400 × 1050) with over 16.8 million colors
  - ❑ 15.0-inch, XGA, TFT (1280 × 800) with over 16.8 million colors
  - ❑ 14.1-inch, XGA, TFT (1280 × 800) with over 16.8 million colors
- 80-, 60-, 40-, or 30-GB high-capacity hard drive, varying by notebook model
- 256-MB DDR2 synchronous DRAM (SDRAM) at 400 and 533 MHz, expandable to 2.0 GB
- Microsoft® Windows® XP Home Edition or Windows XP Professional, varying by notebook model
- Full-size Windows keyboard with embedded numeric keypad
- TouchPad pointing device, including a dedicated vertical scroll region and a button that enables/disables TouchPad operation.
- Integrated 10 Base-T/100 Base-TX Ethernet local area network (LAN) network interface card (NIC) with RJ-45 jack
- Integrated high-speed 56K modem with RJ-11 jack
- Integrated wireless support for Mini PCI IEEE 802.11b or 802.11b/g WLAN device
- Support for one or two Type II PC Card slots, with support for both 32-bit (CardBus) and 16-bit PC Cards, varying by notebook model

- External 65-watt AC adapter with 3-wire power cord, varying by notebook model
  - 6-cell Li-Ion battery pack
  - Stereo speakers
  - Volume up, volume mute, and volume down buttons (full-featured models only)
- 



Numerous references are made throughout this *Maintenance and Service Guide* to “full-featured” and “defeatured” units. A notebook model is considered to be full-featured if it has 4 Universal Serial Bus ports, 2 PC Card slots, and the following components:

- Volume control buttons
- Info Center button
- Infrared port
- 6-in-1 Digital Media Slot
- Serial port
- Parallel port
- S-Video-out jack
- Docking connector

A notebook model is considered to be defeatured if it has only 2 Universal Serial Bus ports, 1 PC Card slot, and none of the components in the preceding list.

---

- Support for the following optical drives:
  - DVD±RW and CD-RW Combo Drive
  - DVD/CD-RW Combo Drive
  - DVD-ROM drive
  - CD-ROM drive

- Connectors:
  - ❑ Audio-out (headphone)
  - ❑ Audio-in (microphone)
  - ❑ Universal Serial Bus (USB) v. 2.0 (4 ports on full-featured notebook models, 2 ports on defeatured notebook models)
  - ❑ Power
  - ❑ External monitor
  - ❑ RJ-11 (modem)
  - ❑ RJ-45 (network)
  - ❑ IEEE 1394
  - ❑ Travel battery
  - ❑ Infrared (full-featured models only)
  - ❑ Digital Media Slot (full-featured models only)
  - ❑ Parallel port (full-featured models only)
  - ❑ S-Video-out (full-featured models only)
  - ❑ Docking connector (full-featured models only)

## 1.2 Resetting the Notebook

If the notebook you are servicing has an unknown password, follow these steps to clear the password. These steps also clear CMOS:

1. Prepare the notebook for disassembly (refer to [Section 5.3, “Preparing the Notebook for Disassembly,”](#) for more information).
2. Remove the real-time clock (RTC) battery (refer to [Section 5.17, “RTC Battery,”](#) for more information on removing and replacing the RTC battery).



3. Wait approximately 5 minutes.
4. Replace the RTC battery and reassemble the notebook.
5. Connect AC power to the notebook. Do not reinsert any battery packs at this time.
6. Turn on the notebook.

All passwords and all CMOS settings have been cleared.

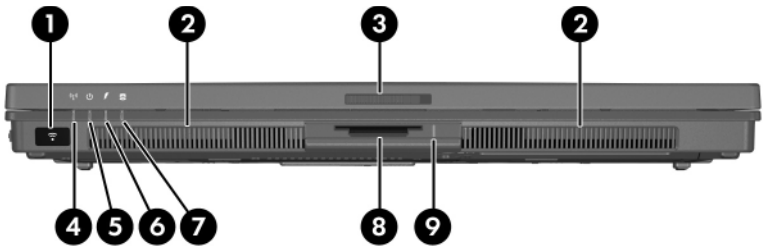
## 1.3 Power Management

The notebook comes with power management features that extend battery operating time and conserve power. The notebook supports the following power management features:

- Standby
- Hibernation
- Setting customization by the user
- Hotkeys for setting the level of performance
- Battery calibration
- Lid switch standby/resume
- Power/standby button
- Advanced Configuration and Power Management (ACPM) compliance

## 1.4 External Components

The external components on the front of the notebook are shown below and described in Table 1-1.



*Front Components*

---

**Table 1-1**

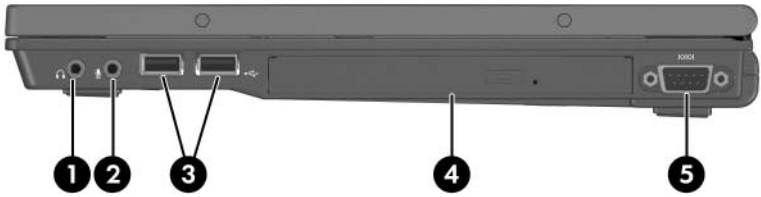
**Front Components**

Item	Component	Function
1	Infrared port (full-featured models only)	Provides wireless communication between the notebook and an optional IrDA-compliant device.
2	Stereo speakers (2)	Produce stereo sound.
3	Display release latch	Opens the notebook.

**Table 1-1**  
**Front Components (Continued)**

<b>Item</b>	<b>Component</b>	<b>Function</b>
4	Wireless light	On: an integrated wireless device has been enabled.
5	Power/standby light	<ul style="list-style-type: none"> <li>■ Green: The notebook is on.</li> <li>■ Blinking green: The notebook is in standby mode.</li> <li>■ Off: The notebook is off or in hibernation.</li> </ul>
6	Battery light	<ul style="list-style-type: none"> <li>■ Amber: A battery pack is charging.</li> <li>■ Green: A battery pack is close to full charge capacity.</li> <li>■ Blinking amber: A battery pack that is the only available power source has reached a low-battery condition. When the battery reaches a critical low-battery condition, the battery light begins blinking more quickly.</li> <li>■ Off: If the notebook is connected to an external power source, the light is turned off when all batteries in the notebook are fully charged. If the notebook is not connected to an external power source, the light is turned off until the battery reaches a low-battery condition.</li> </ul>
7	Integrated Drive Electronics (IDE) drive light	Blinking: The hard drive or optical drive is being accessed.
8	6-in-1 Digital Media Slot (full-featured models only)	Supports 6 optional digital memory card formats: SD (Secure Digital) Memory Card, MultiMediaCard, Memory Stick, Memory Stick Pro, SmartMedia, and xD-Picture Card.
9	6-in-1 Digital Media Slot light (full-featured models only)	On: A digital memory card is being accessed.

The external components on the right side of the notebook are shown below and described in Table 1-2.

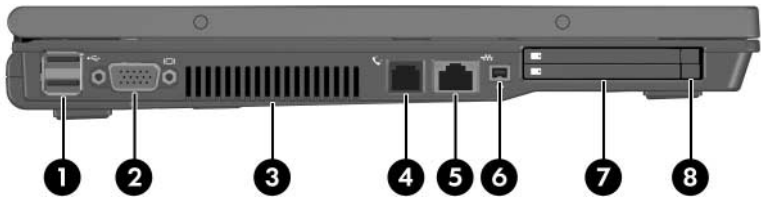


*Right-Side Components*

**Table 1-2**  
**Right-Side Components**

<b>Item</b>	<b>Component</b>	<b>Function</b>
1	Audio-out (headphone) jack	Connect optional headphones or powered stereo speakers. Also connects the audio function of an audio/video device such as a television or VCR.
2	Audio-in (microphone) jack	Connects an optional monaural microphone.
3	USB ports (2) (full-featured models only)	Connect USB 1.1- and 2.0-compliant devices to the notebook using a standard USB cable, or connect an optional External MultiBay II to the notebook. The MultiBay II must also be connected to an external power source.
4	Optical drive	Supports an optical disc. The type of optical drive varies by model.
5	Serial port (full-featured models only)	Connects an optional serial device.

The external components on the left side of the notebook are shown below and described in Table 1-3.



*Left-Side Components*

---


**Table 1-3**

**Left-Side Components**

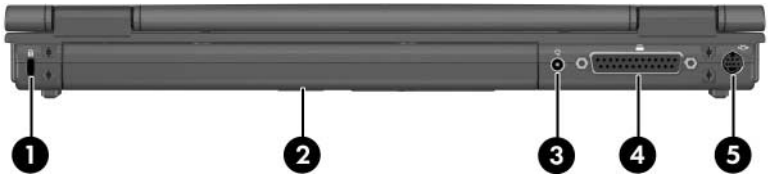
Item	Component	Function
1	USB ports (2)	Connect USB 1.1- and 2.0-compliant devices to the notebook using a standard USB cable, or connect an optional External MultiBay II to the notebook. The MultiBay II must also be connected to an external power source.
2	External monitor port	Connects an optional VGA external monitor or projector.

---

**Table 1-3**  
**Left-Side Components (Continued)**

<b>Item</b>	<b>Component</b>	<b>Function</b>
3	Exhaust vent	Provides airflow to cool internal components.   To prevent overheating, do not obstruct vents. Do not allow a hard surface, such as a printer, or a soft surface, such as pillows, thick rugs, or clothing, to block airflow.
4	RJ-11 (modem) jack	Connects the modem cable.
5	RJ-45 (network) jack	Connects an optional network cable.
6	1394 port	Connects an optional 1394a device such as a scanner, digital camera, or digital camcorder.
7	PC Card slots (2 slots on full-featured models, 1 slot on defeatured models)	Support an optional Type I, Type II, or Type III 32-bit (CardBus) or 16-bit PC Card.
8	PC Card eject buttons (2 buttons on full-featured models, 1 button on defeatured models)	Eject an optional PC Card from the PC Card slot.


The external components on the rear panel of the notebook are shown below and described in Table 1-4.



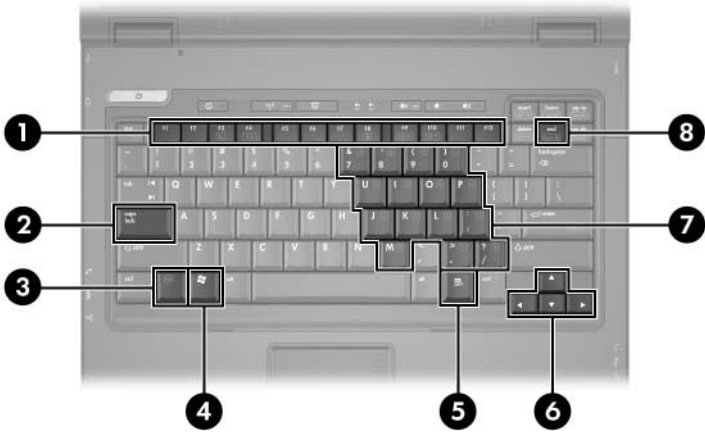
*Rear Panel Components*



**Table 1-4**  
**Rear Panel Components**

<b>Item</b>	<b>Component</b>	<b>Function</b>
1	Security cable slot	Attaches an optional security cable to the notebook.   Security solutions are designed to act as deterrents. These deterrents may not prevent a product from being mishandled or stolen.
2	Battery bay	Holds a battery pack.
3	Power connector	Connects an AC adapter or an optional automobile or aircraft adapter.
4	Parallel port (full-featured models only)	Connects an optional parallel device, such as an external diskette drive or a printer.
5	S-Video-out jack (full-featured models only)	Connects an optional S-Video device, such as a television, VCR, camcorder, projector, or video capture card.

The standard keyboard components of the notebook are shown below and described in Table 1-5.



*Standard Keyboard Components*

**Table 1-5**  
**Standard Keyboard Components**

<b>Item</b>	<b>Component</b>	<b>Function</b>
1	<b>fn</b> to <b>f12</b> keys (12)	Perform system and application tasks. When combined with the <b>fn</b> key, several keys and buttons perform additional tasks as hotkeys.
2	<b>caps lock</b> key	Enables caps lock and turns on the caps lock light.
3	<b>fn</b> key	Executes frequently used system functions when pressed in combination with a function key or the <b>esc</b> key.
4	Windows logo key	In Windows, displays the Windows Start menu.
5	Windows applications key	In Windows, displays a shortcut menu for items beneath the pointer.
6	Arrow keys	Moves the cursor around the screen.
7	Keypad keys (15)	In Windows, can be used like the keys on an external numeric keypad.
8	<b>num lock</b> key	Enables numeric lock, turns on the embedded numeric keypad, and turns on the num lock light.

The notebook top components are shown below and described in Table 1-6.



*Top Components, Part 1*


---

**Table 1-6**  
**Top Components, Part 1**

Item	Component	Function
1	Power/standby button	<p>When the notebook is:</p> <ul style="list-style-type: none"><li>■ Off, press to turn on the notebook.</li><li>■ On, briefly press to initiate hibernation.</li><li>■ In standby, briefly press to resume from standby.</li><li>■ In hibernation, briefly press to restore from hibernation.</li></ul> <p>If the system has stopped responding and Windows shutdown procedures cannot be used, press and hold for 5 seconds to turn off the notebook.</p>

---

**Table 1-6**  
**Top Components, Part 1 (Continued)**

Item	Component	Function
2	Display lid switch	<ul style="list-style-type: none"> <li>■ If the notebook is closed while on, turns off the display.</li> <li>■ If the notebook is opened while in standby, turns on the notebook (resumes from standby).</li> </ul>
3	Info Center button (full-featured models only)	Launches Info Center.
4	Wireless button	<p>Turns the wireless functionality on or off, but does not create a wireless connection.</p> <p> To establish a wireless connection, a wireless network must already be set up.</p>
5	Presentation mode button	Turns on Presentation mode.
6	Caps lock light	On: <b>caps lock</b> is on.
7	Num lock light	On: <b>num lock</b> or the numeric keypad is on.

The notebook top components are continued below and described in Table 1-7.

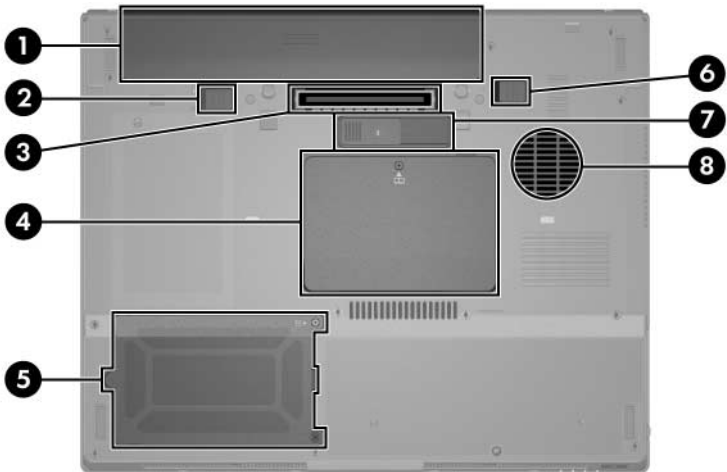


*Top Components, Part 2*

**Table 1-7**  
**Top Components, Part 2**

<b>Item</b>	<b>Component</b>	<b>Function</b>
1	Volume mute button (full-featured models only)	Mutes or restores system volume.
2	Volume down button (full-featured models only)	Decreases system volume.
3	Volume up button (full-featured models only)	Increases system volume.
4	TouchPad	Moves the pointer and selects or activates items on the screen. Can be set to perform other mouse functions, such as scrolling, selecting, and double-clicking.
5	Left/right TouchPad buttons	Function like the left and right buttons on an external mouse.
6	TouchPad scroll zone	Scrolls up or down.

The external components on the bottom of the notebook are shown below and described in Table 1-8.



*Bottom Components*

---



**Table 1-8**  
**Bottom Components**

<b>Item</b>	<b>Component</b>	<b>Function</b>
1	Primary battery bay	Holds the primary battery pack.
2	Primary battery locking latch	Secures the primary battery pack into the battery bay.
3	Docking connector (full-featured models only)	Connects the notebook to an optional docking device.

---



**Table 1-8**  
**Bottom Components (Continued)**

Item	Component	Function
4	Memory module compartment	Contains 2 memory slots that support replaceable memory modules. The number of preinstalled memory modules varies by notebook model.
	Mini PCI compartment	<p>Holds an optional wireless LAN device.</p> <p> To prevent an unresponsive system and the display of a warning message, install only a Mini PCI device authorized for use in your notebook by the governmental agency that regulates wireless devices in your country. If you install a device and then receive a warning message, remove the device to restore notebook functionality. Then contact Customer Care.</p>
5	Hard drive bay	Holds the primary hard drive.
6	Primary battery release latch	Releases the primary battery pack from the battery bay.
7	Travel battery connector	Connects an optional travel battery.
8	Fan	<p>Provides airflow to cool internal components.</p> <p> To prevent overheating, do not obstruct fans. Do not allow a hard surface, such as a printer, or a soft surface, such as pillows, thick rugs, or clothing, to block airflow.</p>

## 1.5 Design Overview

This section presents a design overview of key parts and features of the notebook. Refer to [Chapter 3, “Illustrated Parts Catalog,”](#) to identify replacement parts, and [Chapter 5, “Removal and Replacement Procedures,”](#) for disassembly steps.

The system board provides the following device connections:

- Memory module
- Mini PCI communications devices
- Hard drive
- Display
- Keyboard and TouchPad
- Audio
- Intel Pentium M and Intel Celeron processors
- PC Card



**CAUTION:** To properly ventilate the notebook, allow at least a 7.6-cm (3-inch) clearance on the left and right sides of the notebook.

---

The notebook uses an electric fan for ventilation. The fan is controlled by a temperature sensor and is designed to be turned on automatically when high temperature conditions exist. These conditions are affected by high external temperatures, system power consumption, power management/battery conservation configurations, battery fast charging, and software applications. Exhaust air is displaced through the ventilation grill located on the left side of the notebook.

---

# Troubleshooting



**WARNING:** Only authorized technicians trained by HP should repair this equipment. All troubleshooting and repair procedures are detailed to allow only subassembly-/module-level repair. Because of the complexity of the individual boards and subassemblies, do not attempt to make repairs at the component level or modifications to any printed wiring board. Improper repairs can create a safety hazard. Any indication of component replacement or printed wiring board modification may void any warranty or exchange allowances.

---

## 2.1 Computer Setup

Computer Setup is a system information and customization utility that can be used even when the operating system is not working or will not load. This utility includes settings that are not available in Windows.

### Using Computer Setup

Information and settings in Computer Setup are accessed from the **Main**, **Security**, **Advanced**, or **Tools** menus:

1. Turn on or restart the notebook. Press **f10** while the F10 = ROM-Based Setup message is displayed in the lower-left corner of the screen.
  - ❑ To change the language, use the cursor control keys to navigate to the **Advanced** menu.
  - ❑ To view navigation information, press **f1**.
  - ❑ To return to the Computer Setup menu, press **esc**.

2. Select the **Main**, **Security**, **Advanced**, or **Tools** menu.
3. To close Computer Setup and restart the notebook:
  - ❑ Select **Exit > Exit Saving Changes**, and then press **enter**.  
— or —
  - ❑ Select **Exit > Exit Discarding Changes**, and then press **enter**.  
— or —
  - ❑ Select **Exit > Load Setup Defaults**, and then press **enter**.
4. When you are prompted to confirm your action, press **f10**.

## Selecting from the Main Menu

---




**Table 2-1**  
**Main Menu**

Select	To Do This
System Information	<ul style="list-style-type: none"><li>■ Change the system time and system date.</li><li>■ View identification information about the notebook.</li><li>■ View specification information about the processor, memory and cache size, and system ROM.</li></ul>

---

## Selecting from the Security Menu

**Table 2-2**  
**Security Menu**

Select	To Do This
Administrator Password	Enter, change, or delete an Administrator password.
Power-on Password	Enter, change, or delete a power-on password.
DriveLock Passwords	<p>Enable/disable DriveLock; change a DriveLock user or master password.</p> <p> DriveLock Settings are accessible only when you enter Computer Setup by turning on (not restarting) the notebook.</p>
Password Options (Password options can be selected only when a power-on password has been set.)	<p>Enable/disable:</p> <ul style="list-style-type: none"> <li>■ QuickLock</li> <li>■ QuickLock on Standby</li> <li>■ QuickBlank</li> </ul> <p> To enable QuickLock on Standby or QuickBlank, you must first enable QuickLock.</p>
Device Security	<p>Enable/disable:</p> <ul style="list-style-type: none"> <li>■ Diskette drive startup*</li> <li>■ CD-ROM or diskette startup</li> </ul> <p> Settings for a DVD-ROM can be entered in the CD-ROM field.</p>

\*Not applicable to SuperDisk LS-120 drives.

## Selecting from the Advanced Menu

---

**Table 2-3**  
**Advanced Menu**

Select	To Do This
Language	Change the Computer Setup language.
Boot Order	Enable/disable MultiBoot, which sets a startup sequence that can include most bootable devices and media in the system.
Accessibility Options	Allows electronic and information technology to be accessible to people with varying ranges of abilities.
Video Memory	Displays the amount of video memory available on the notebook.

---

## Selecting from the Tools Menu

---

**Table 2-4**  
**Tools Menu**

Select	To Do This
Hard Drive Self Test	Run a quick comprehensive self test on hard drives in the system that support the test features.

---

## 2.2 Troubleshooting Flowcharts

**Table 2-5**  
**Troubleshooting Flowcharts Overview**

<b>Flowchart</b>	<b>Description</b>
2.1	"Flowchart 2.1—Initial Troubleshooting"
2.2	"Flowchart 2.2—No Power, Part 1"
2.3	"Flowchart 2.3—No Power, Part 2"
2.4	"Flowchart 2.4—No Power, Part 3"
2.5	"Flowchart 2.5—No Power, Part 4"
2.6	"Flowchart 2.6—No Video, Part 1"
2.7	"Flowchart 2.7—No Video, Part 2"
2.8	"Flowchart 2.8—Nonfunctioning Docking Device (if applicable)"
2.9	"Flowchart 2.9—No Operating System (OS) Loading"
2.10	"Flowchart 2.10—No OS Loading, Hard Drive, Part 1"
2.11	"Flowchart 2.11—No OS Loading, Hard Drive, Part 2"
2.12	"Flowchart 2.12—No OS Loading, Hard Drive, Part 3"
2.13	"Flowchart 2.13—No OS Loading, Diskette Drive"

---

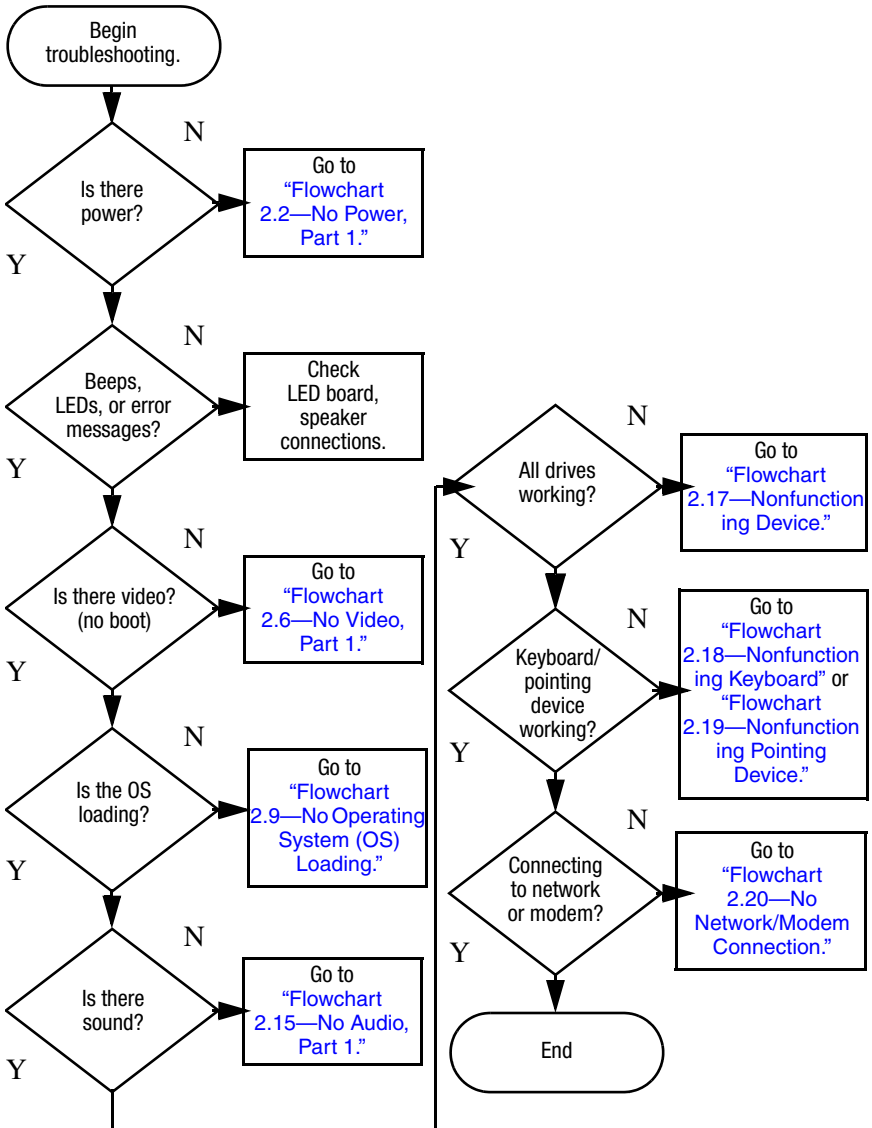
**Table 2-5**  
**Troubleshooting Flowcharts Overview (*Continued*)**

<b>Flowchart</b>	<b>Description</b>
2.14	"Flowchart 2.14—No OS Loading, Optical Drive"
2.15	"Flowchart 2.15—No Audio, Part 1"
2.16	"Flowchart 2.16—No Audio, Part 2"
2.17	"Flowchart 2.17—Nonfunctioning Device"
2.18	"Flowchart 2.18—Nonfunctioning Keyboard"
2.19	"Flowchart 2.19—Nonfunctioning Pointing Device"
2.20	"Flowchart 2.20—No Network/Modem Connection"

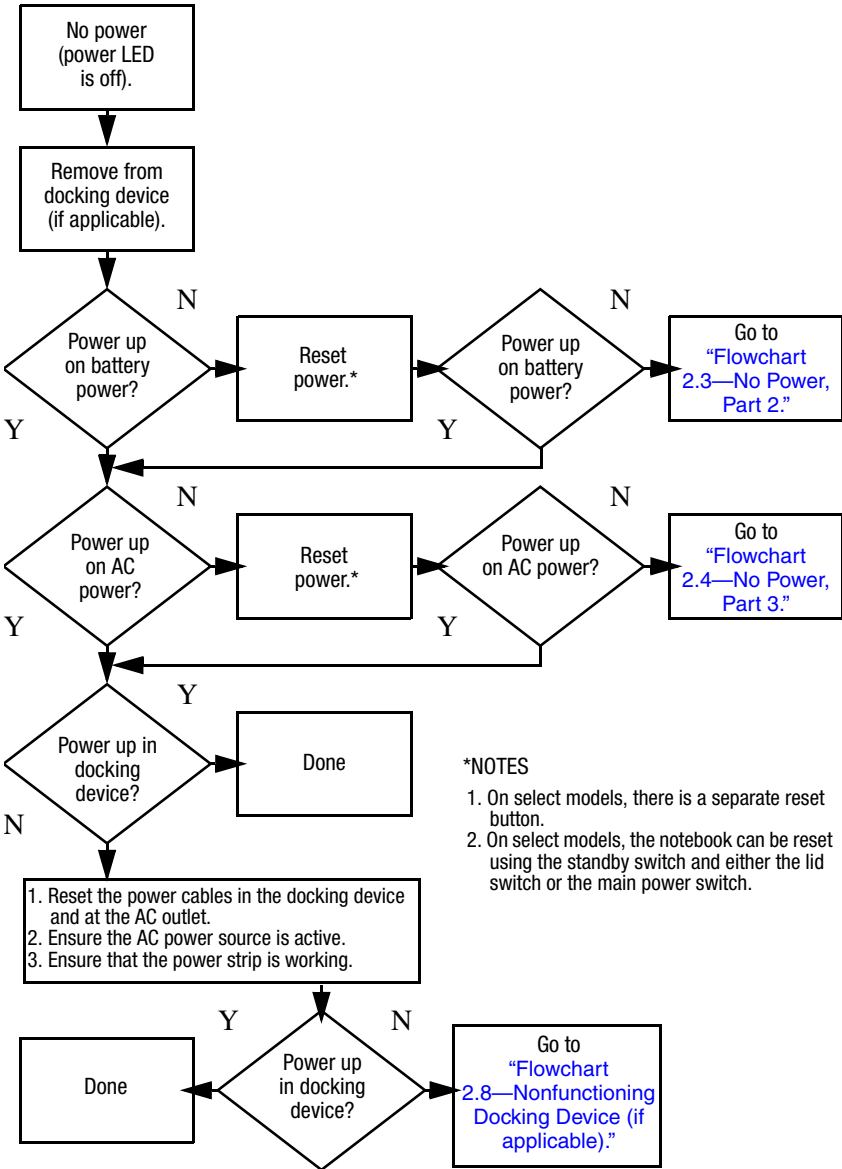
---



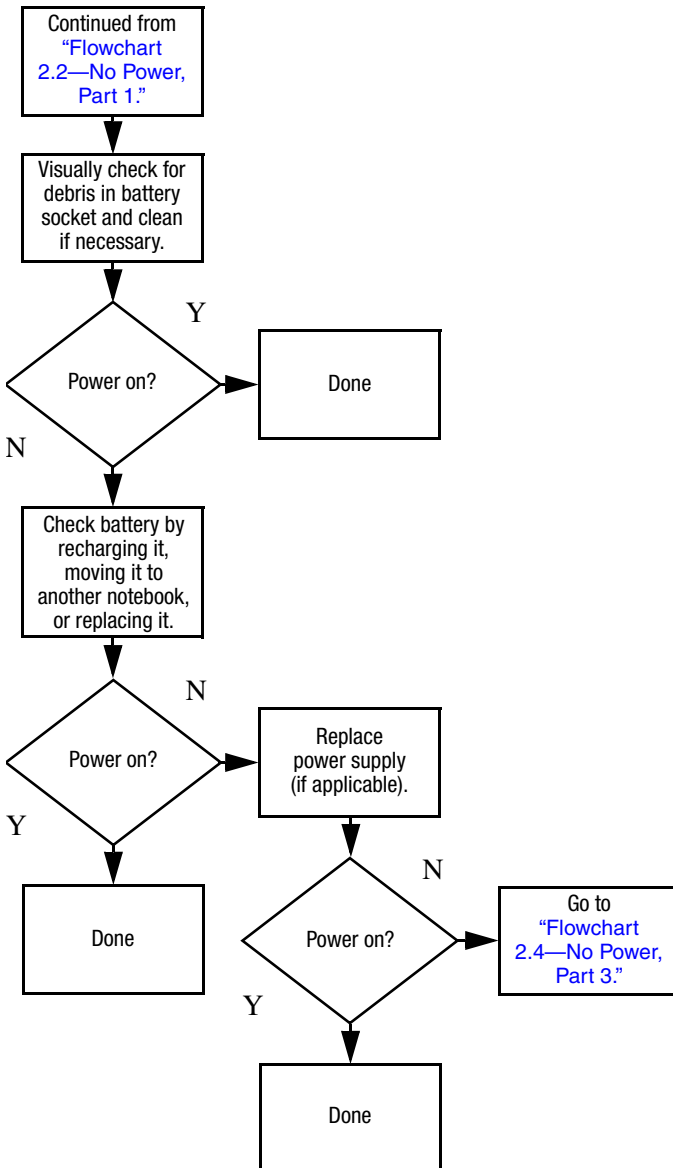
## Flowchart 2.1 – Initial Troubleshooting



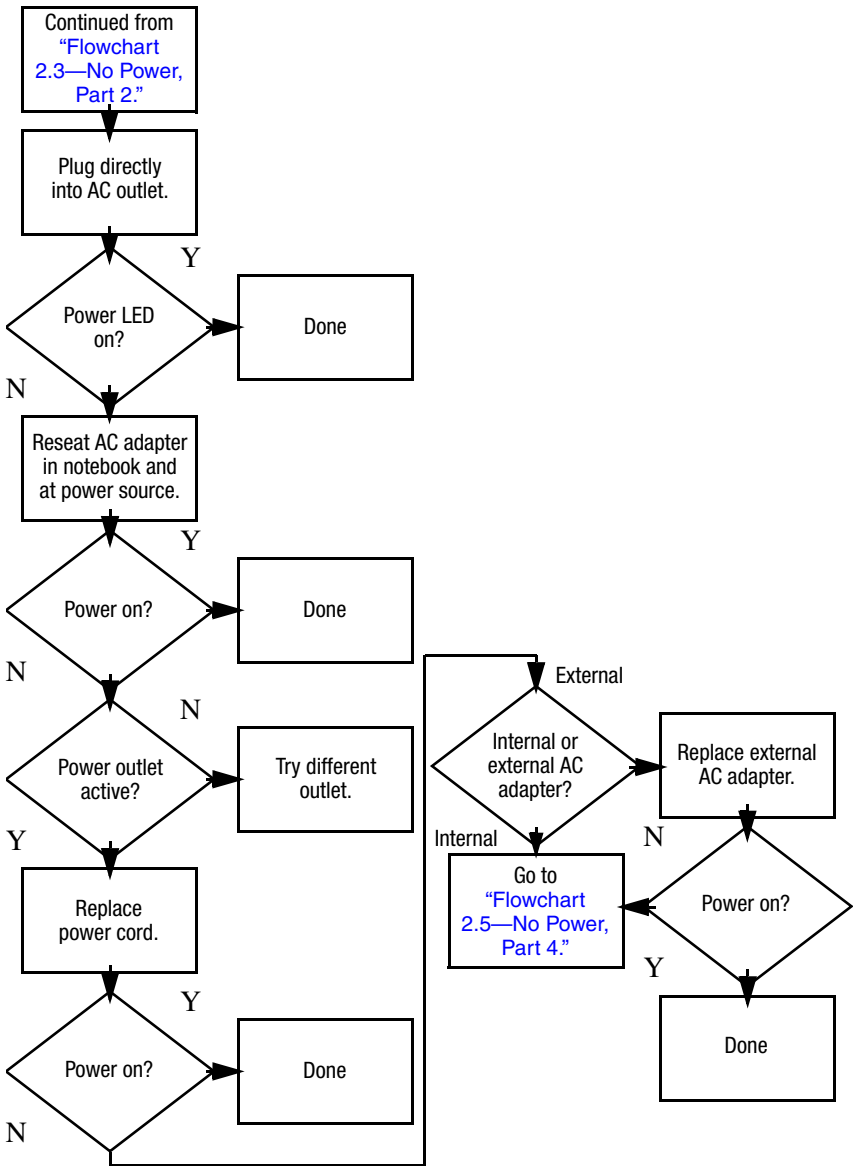
## Flowchart 2.2—No Power, Part 1



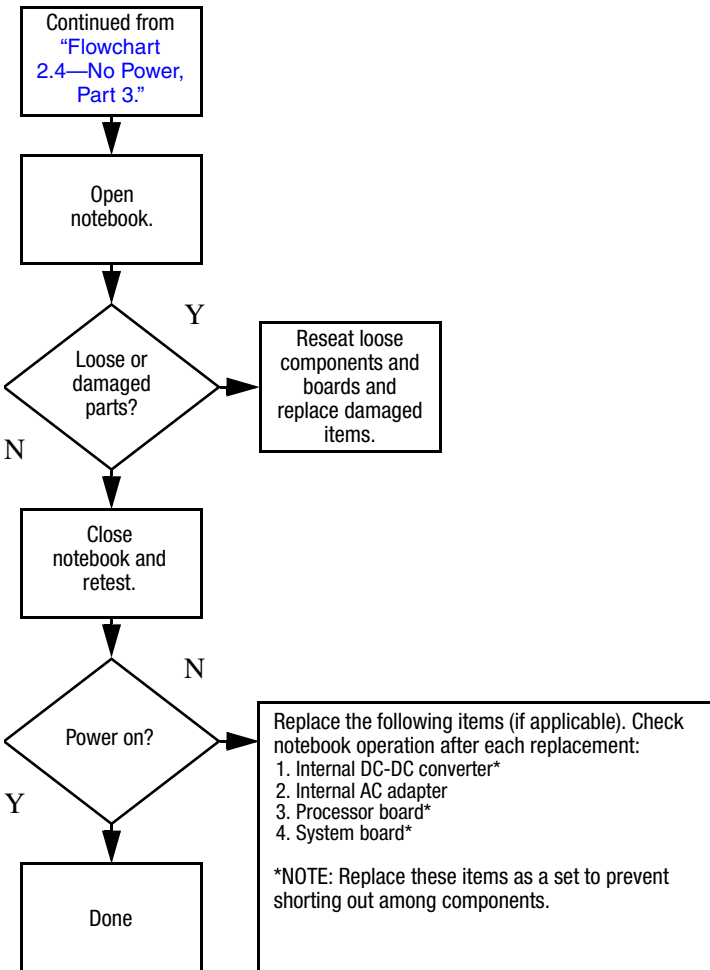
## Flowchart 2.3—No Power, Part 2



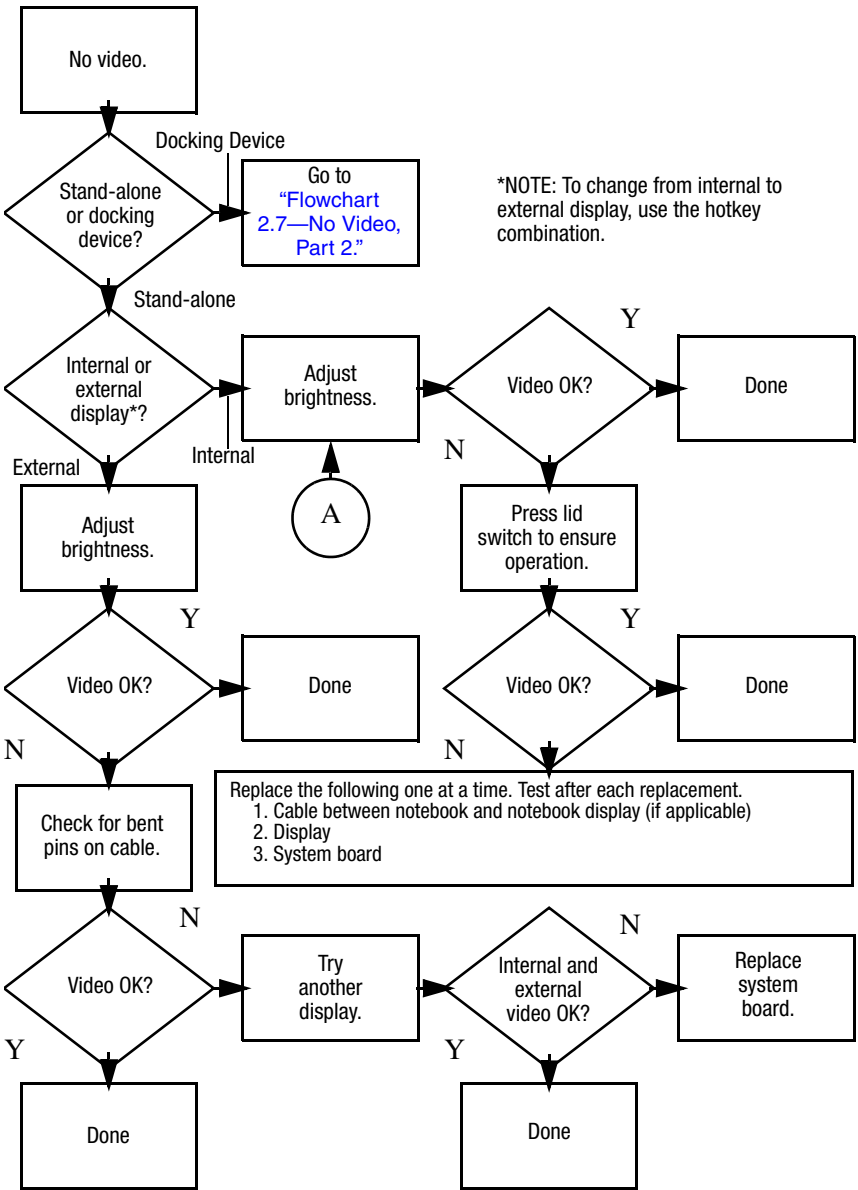
### Flowchart 2.4—No Power, Part 3



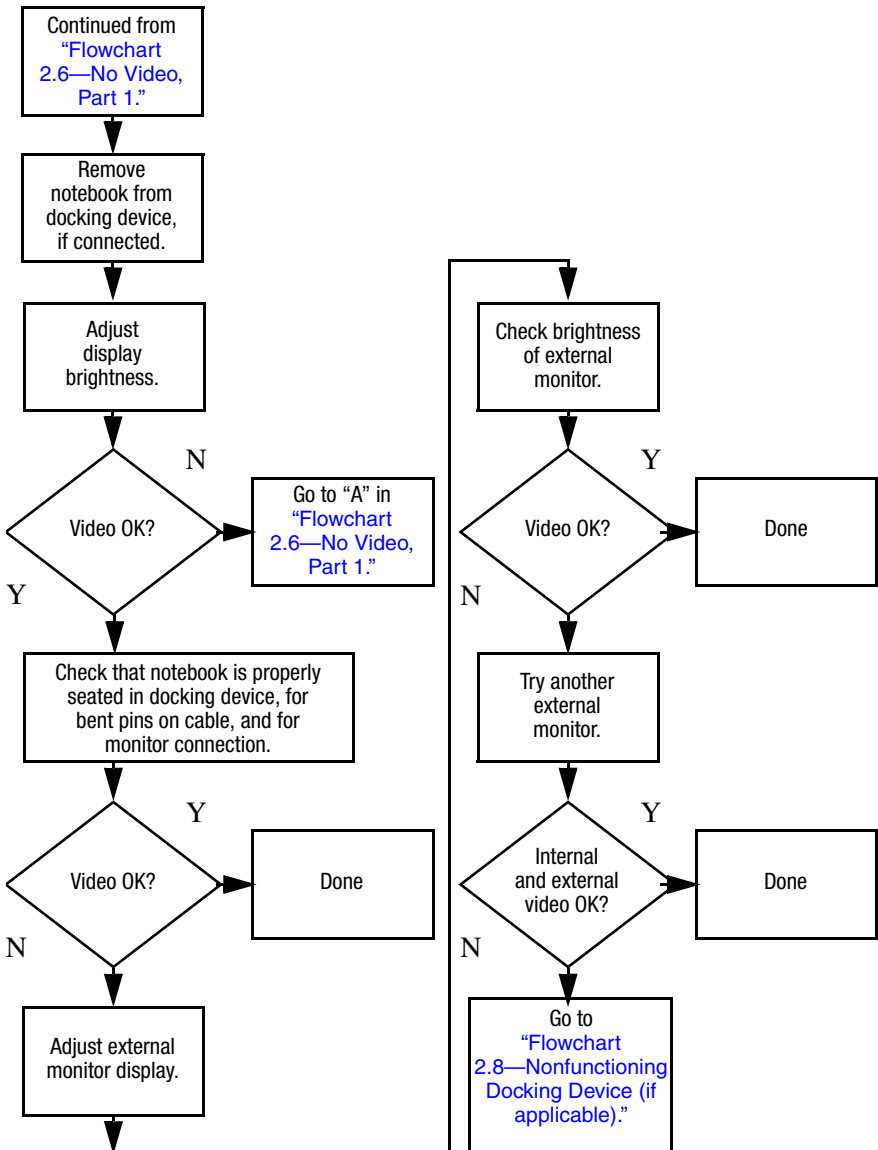
## Flowchart 2.5—No Power, Part 4



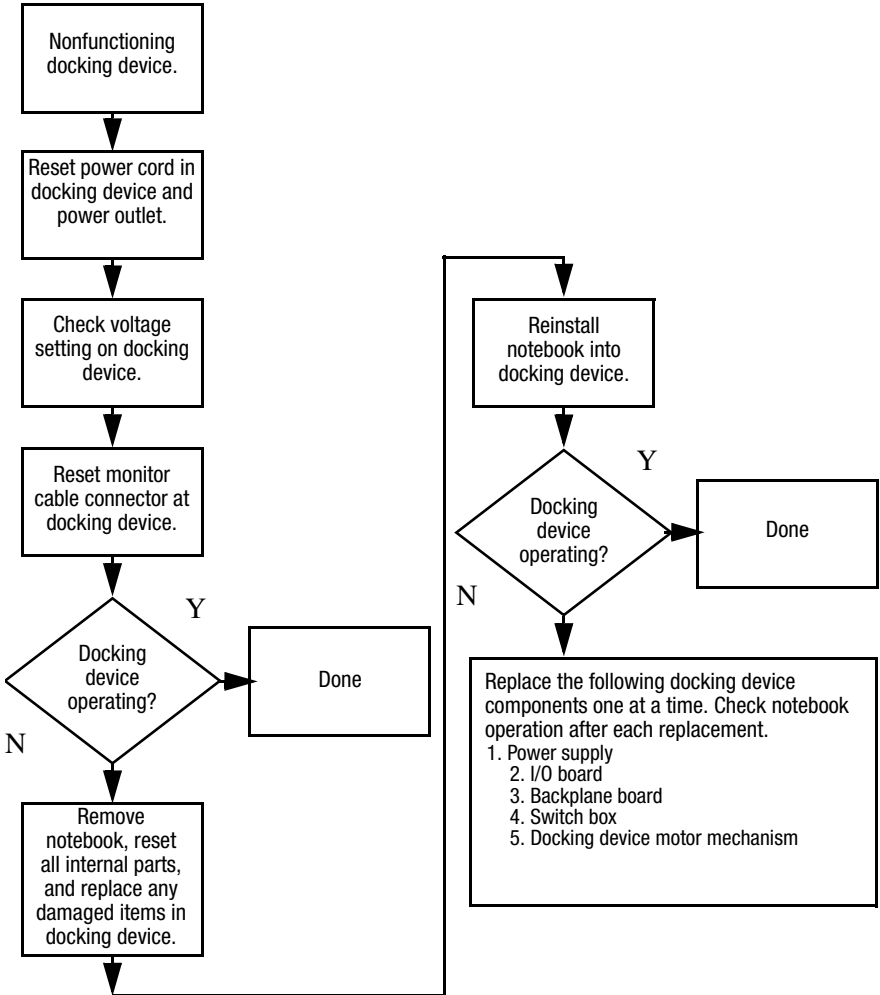
## Flowchart 2.6—No Video, Part 1



## Flowchart 2.7—No Video, Part 2

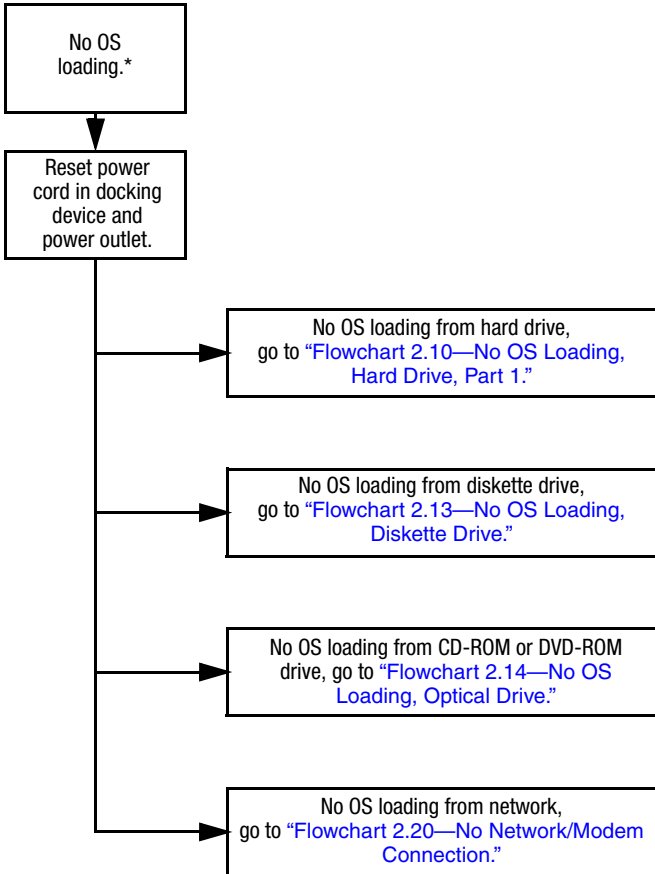


## Flowchart 2.8—Nonfunctioning Docking Device (if applicable)



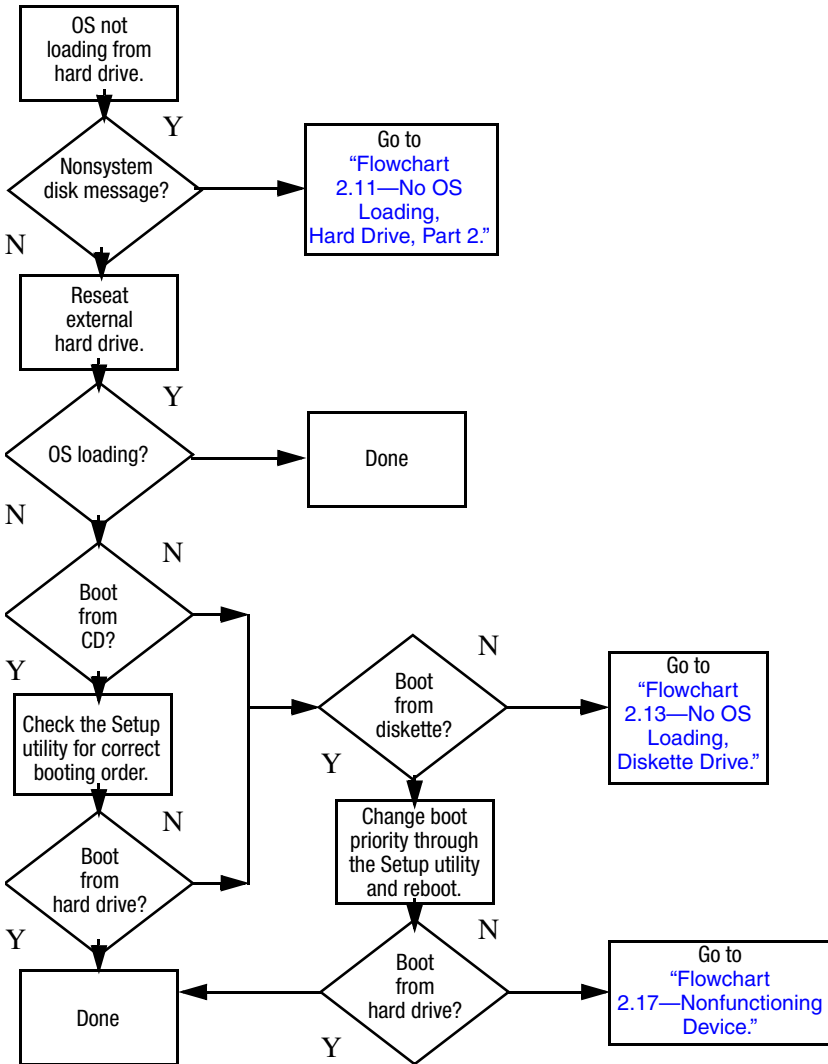


## Flowchart 2.9—No Operating System (OS) Loading

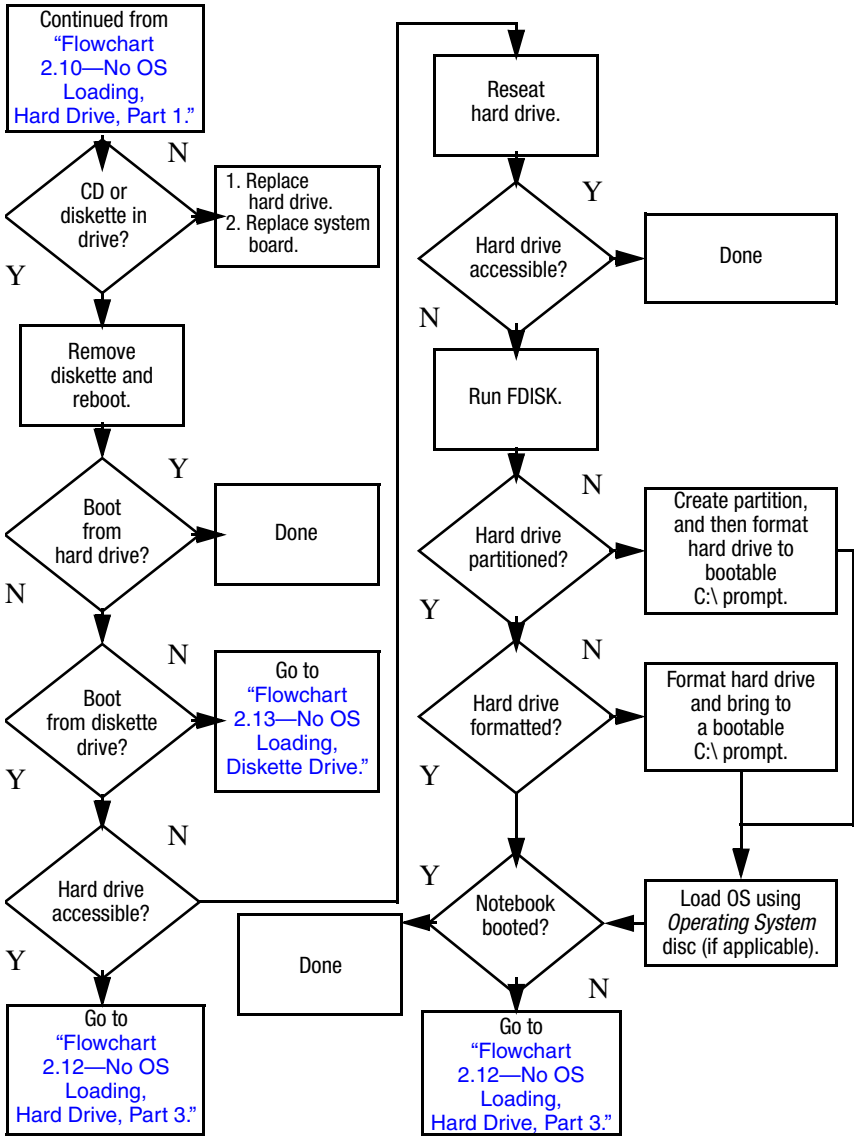


\*NOTE: Before beginning troubleshooting, always check cable connections, cable ends, and drives for bent or damaged pins.

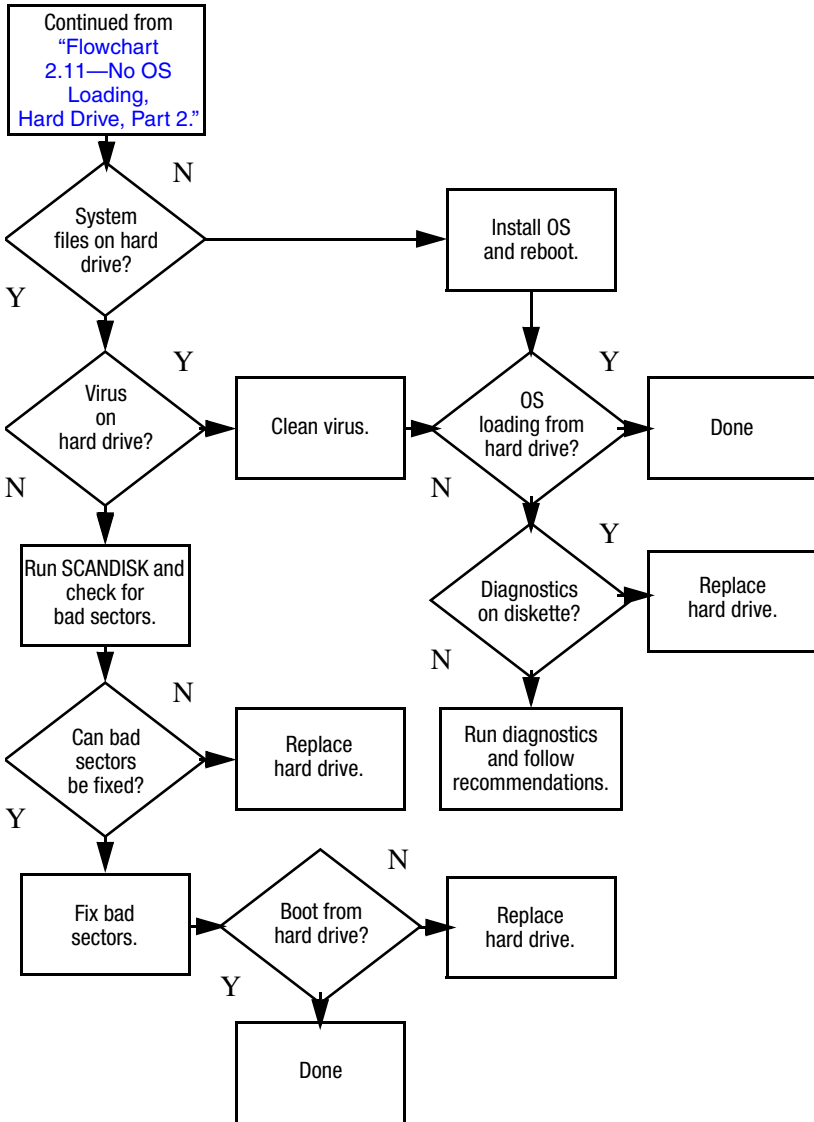
## Flowchart 2.10—No OS Loading, Hard Drive, Part 1



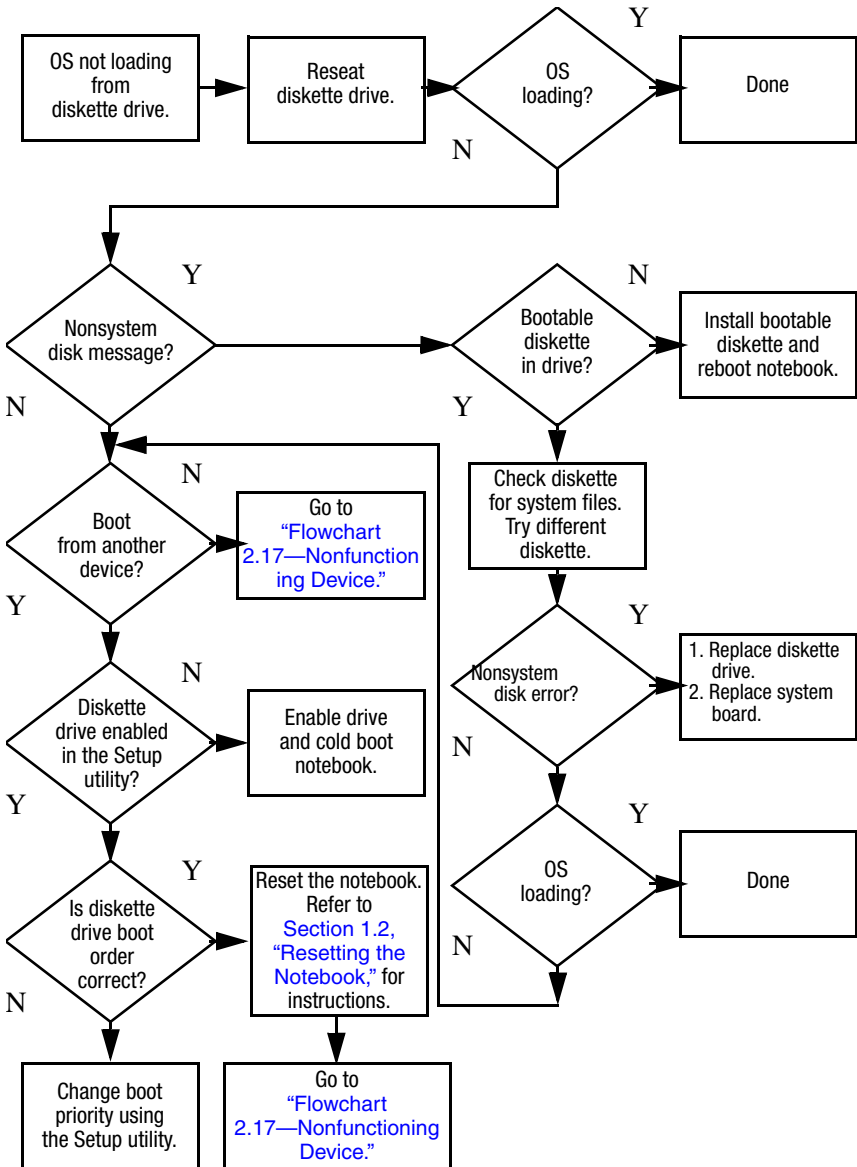
## Flowchart 2.11 – No OS Loading, Hard Drive, Part 2



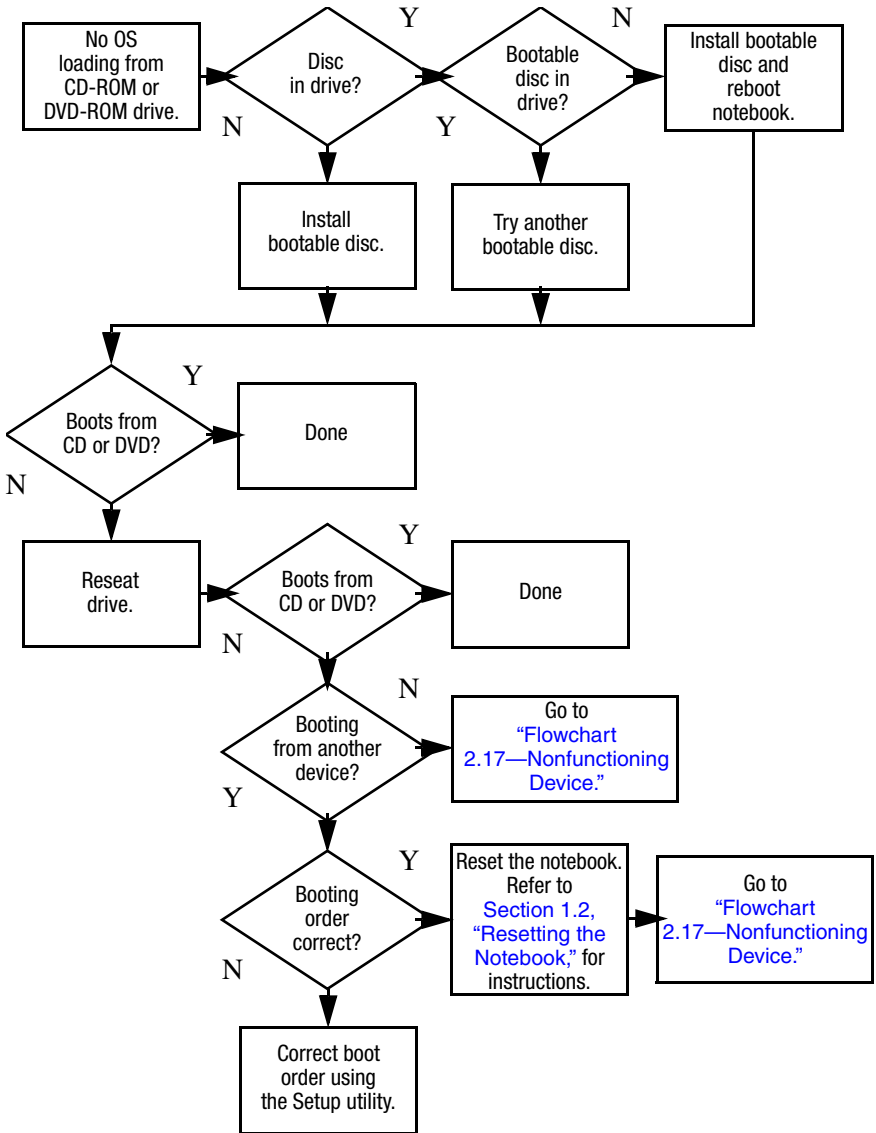
## Flowchart 2.12—No OS Loading, Hard Drive, Part 3



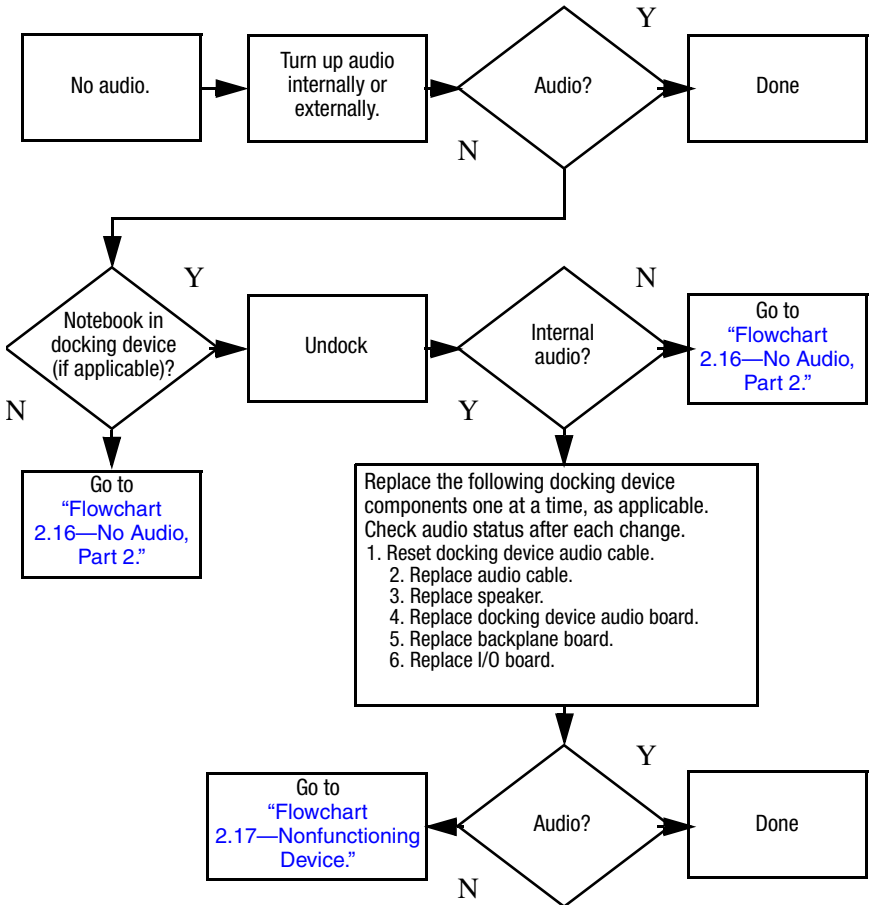
## Flowchart 2.13—No OS Loading, Diskette Drive



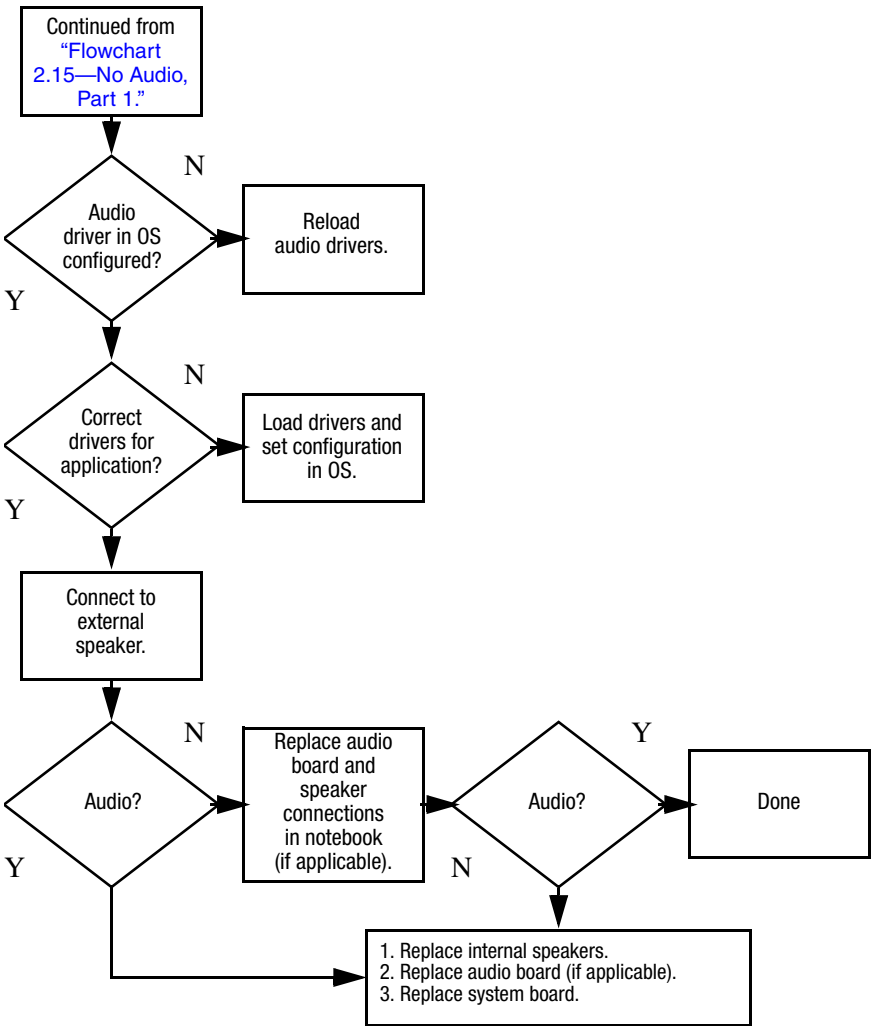
## Flowchart 2.14—No OS Loading, Optical Drive



## Flowchart 2.15—No Audio, Part 1

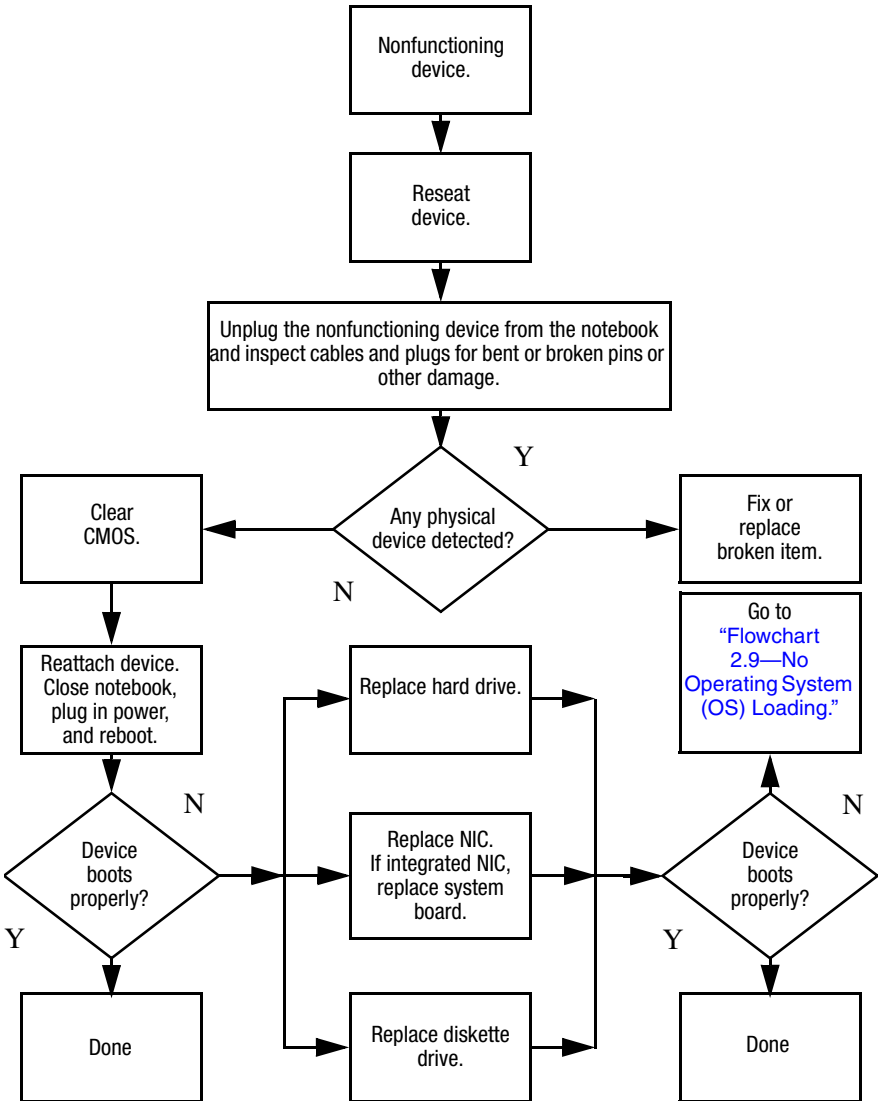


## Flowchart 2.16—No Audio, Part 2

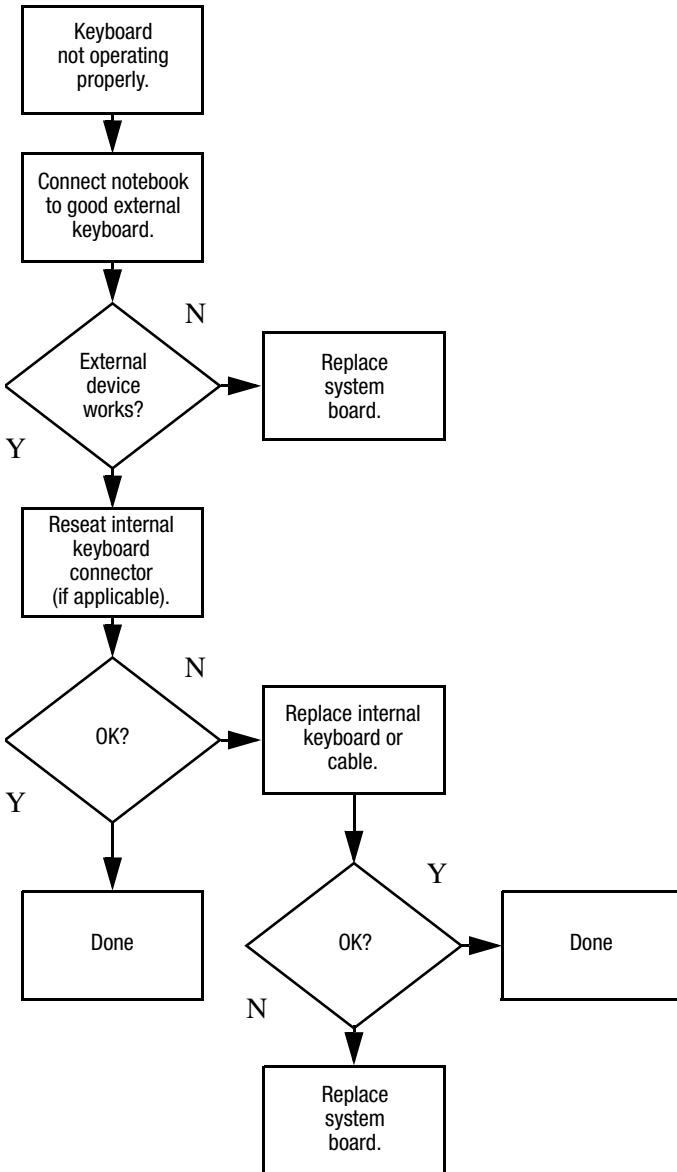




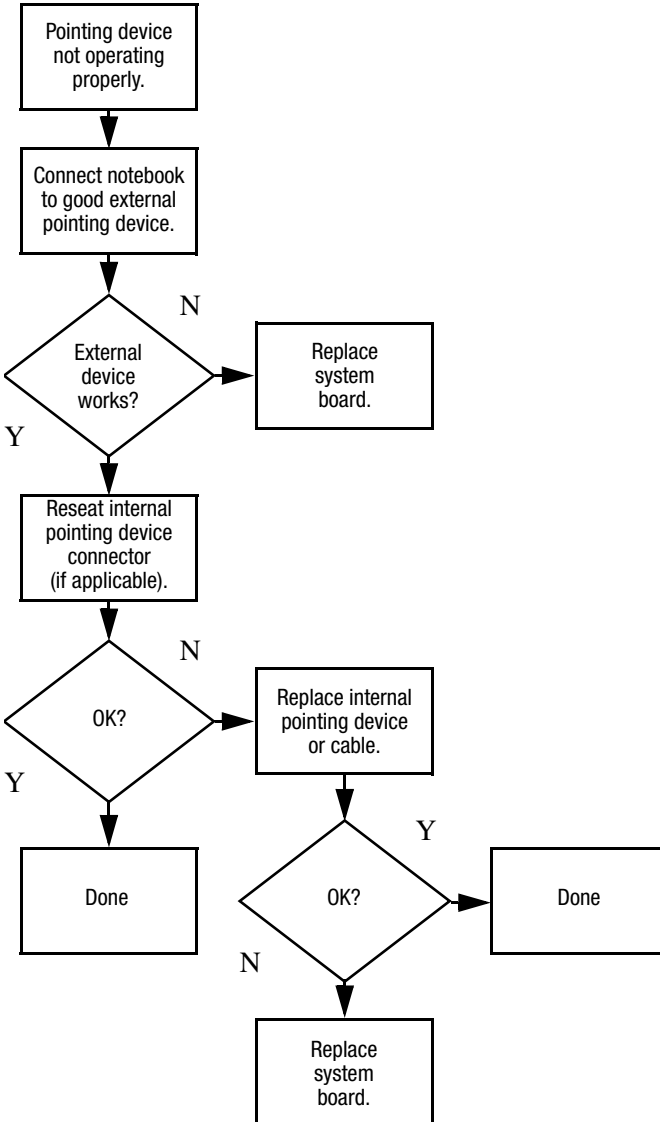
## Flowchart 2.17—Nonfunctioning Device



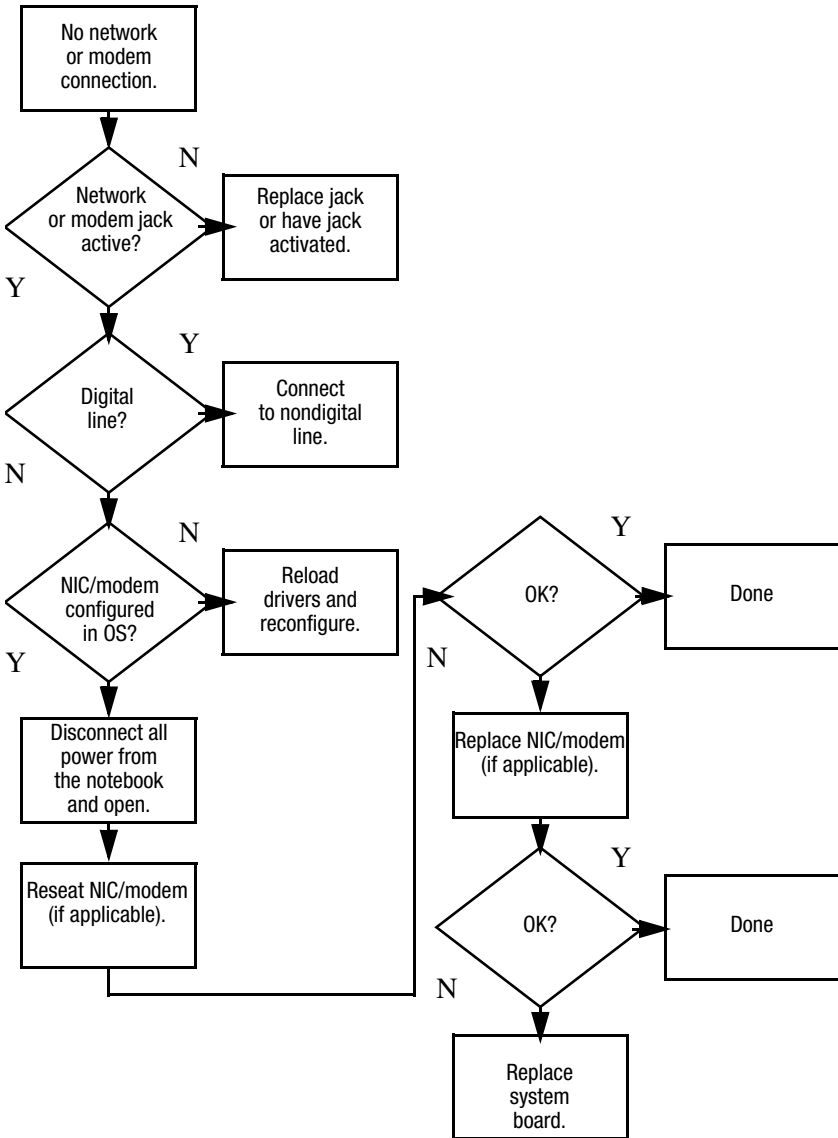
## Flowchart 2.18—Nonfunctioning Keyboard



## Flowchart 2.19—Nonfunctioning Pointing Device



## Flowchart 2.20—No Network/Modem Connection



# 3

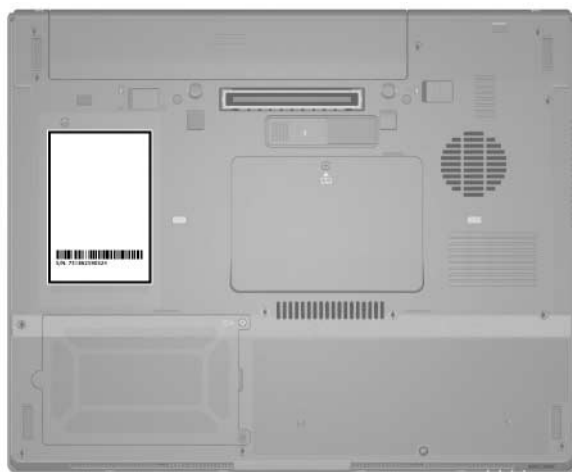
---

## Illustrated Parts Catalog

This chapter provides an illustrated parts breakdown and a reference for spare part numbers.

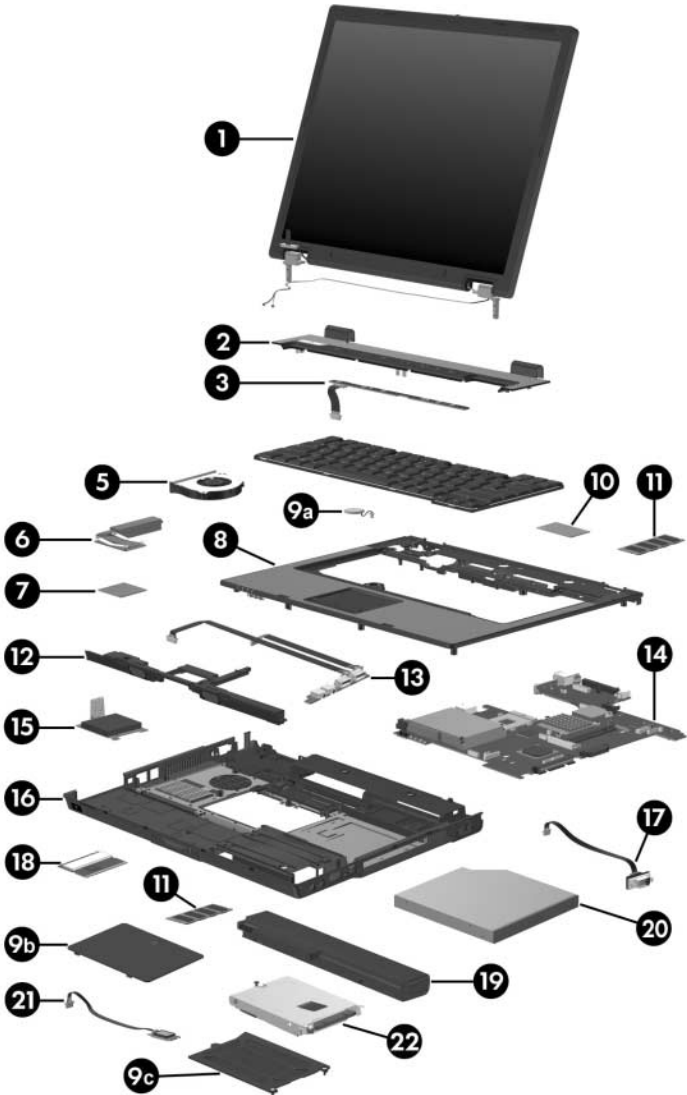
### 3.1 Serial Number Location

When ordering parts or requesting information, provide the notebook serial number and model number located on the bottom of the notebook.



*Serial Number Location*

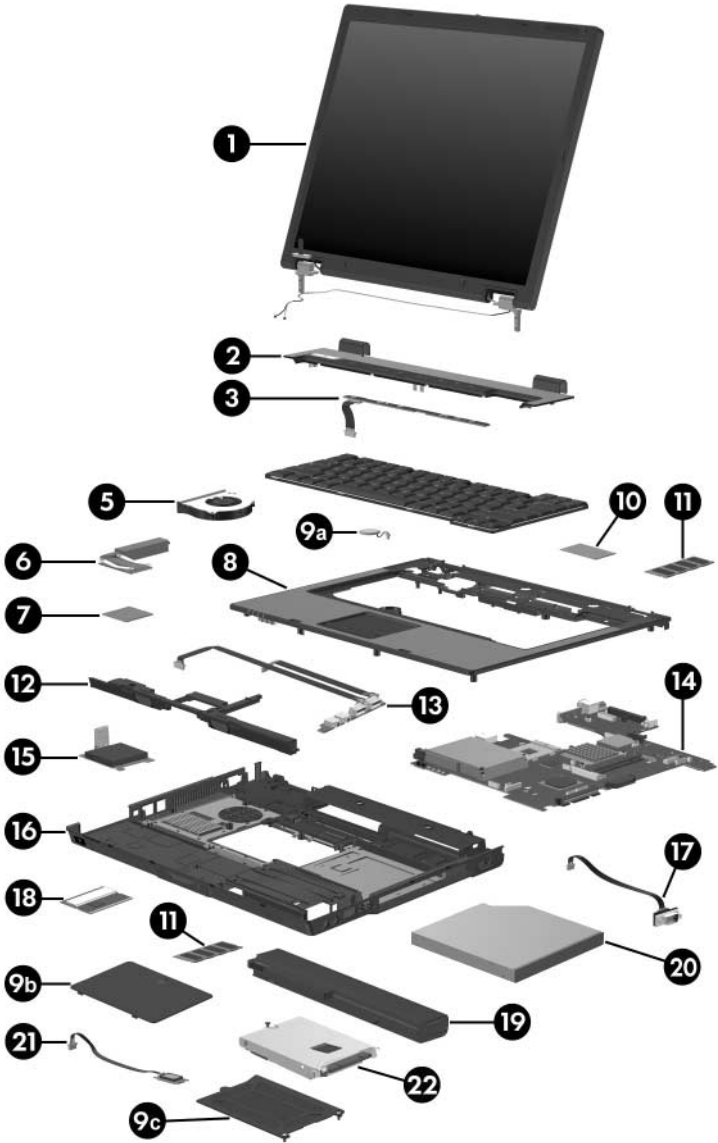
## 3.2 Notebook Major Components



Notebook Major Components

**Table 3-1**  
**Spare Parts: Notebook Major Components**

Item	Description	Spare Part Number
1	<b>Display assemblies</b> (include wireless antenna boards and cables)	
	15.0-inch, SXGA+WVA, TFT	378210-001
	15.0-inch, XGA, TFT	378209-001
	14.1-inch, XGA, TFT	378208-001
2	<b>Switch covers</b>	
	For use with full-featured models	378232-001
	For use with defeatured models	378242-001
3	<b>LED board</b> (for use only with full-featured models; includes LED board cable)	378228-001
4	<b>Keyboards</b>	
	Belgium	378248-181
	Brazil	378248-201
	Czech Republic	378248-221
	Denmark	378248-081
	France	378248-051
	French Canada	378248-121
	Germany	378248-041
	Greece	378248-151
	Hungary	378248-211
	Iceland	378248-DD1
	International	378248-002
	Israel	378248-BB1
	Italy	378248-061
	Japan	378248-291
	Korea	378248-AD1
	Latin America	378248-161
	Norway	378248-091
	Portugal	378248-131
	Russia	378248-251
	Saudi Arabia	378248-171
	Slovakia	378248-231
	Slovenia	378248-BA1
	Spain	378248-071
	Sweden	378248-101
	Switzerland	378248-111
	Taiwan	378248-AB1
	Thailand	378248-281
	Turkey	378248-141
	United Kingdom	378248-031
	United States	378248-001
5	<b>Fan</b>	378233-001
6	<b>Heat sink</b> (includes thermal paste)	379799-001

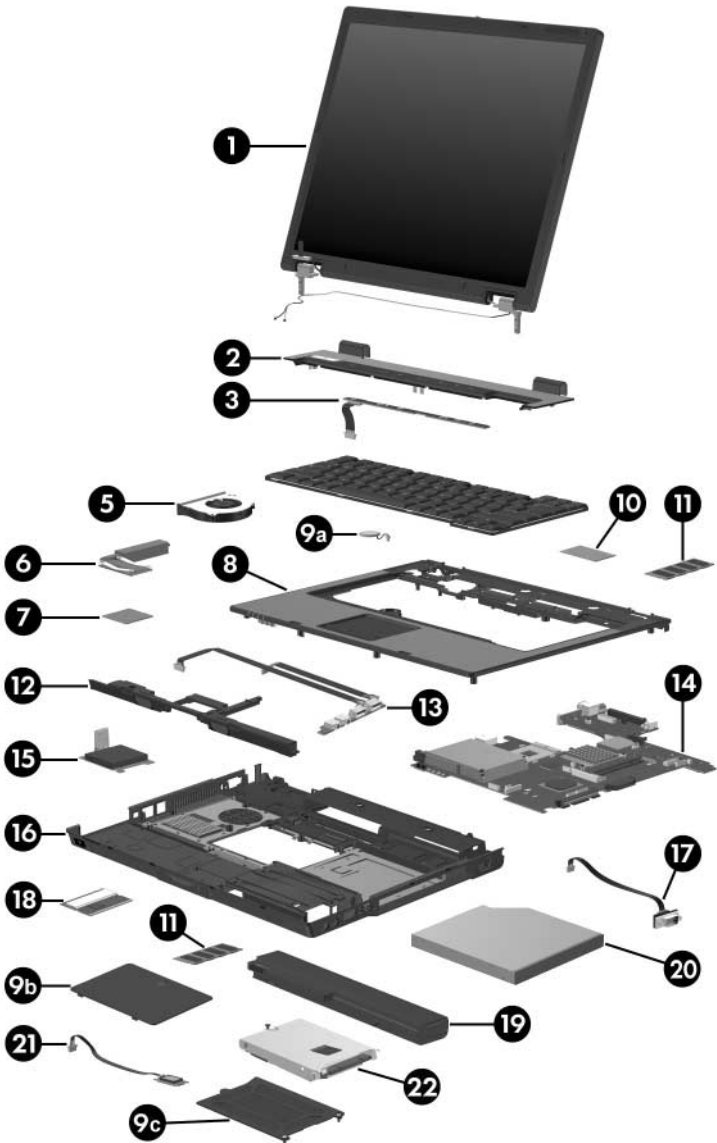


Notebook Major Components



**Table 3-1****Spare Parts: Notebook Major Components (Continued)**

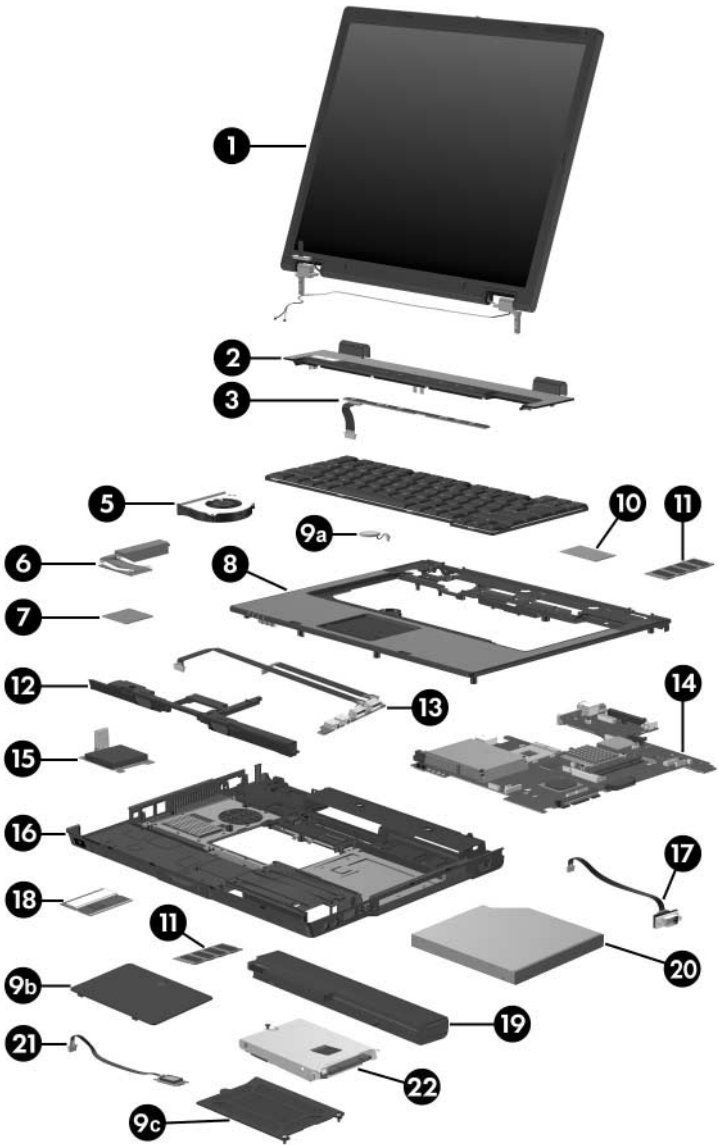
<b>Item</b>	<b>Description</b>	<b>Spare Part Number</b>
7	<b>Processors</b> (include thermal paste)	
	Intel Pentium M 2.13-GHz	378224-001
	Intel Pentium M 2.00-GHz	378223-001
	Intel Pentium M 1.86-GHz	378222-001
	Intel Pentium M 1.73-GHz	378221-001
	Intel Pentium M 1.60-GHz	378220-001
	Intel Pentium M 1.30-GHz	378219-001
	Intel Celeron 1.5-GHz	378218-001
	Intel Celeron 1.4-GHz	378217-001
8	<b>Top covers</b> (include TouchPad)	
	For use with full-featured models	378230-001
	For use with defeatured models	378239-001
	<b>Miscellaneous Plastics Kit</b>	378236-001
	Includes:	
9a	RTC battery	
9b	Memory module/Mini PCI compartment cover (includes 1 captive screw)	
9c	Hard drive cover (includes 2 captive screws)	
	Not illustrated:	
	Notebook feet	
	PC Card slot space savers (2)	
10	<b>Modem board</b>	380774-001
11	<b>Memory modules</b> (400-MHz DDR2)	
	1024 MB	336579-001
	512 MB	336578-001
	256 MB	366577-001
12	<b>Speaker</b>	378237-001



Notebook Major Components

**Table 3-1**  
**Spare Parts: Notebook Major Components (Continued)**

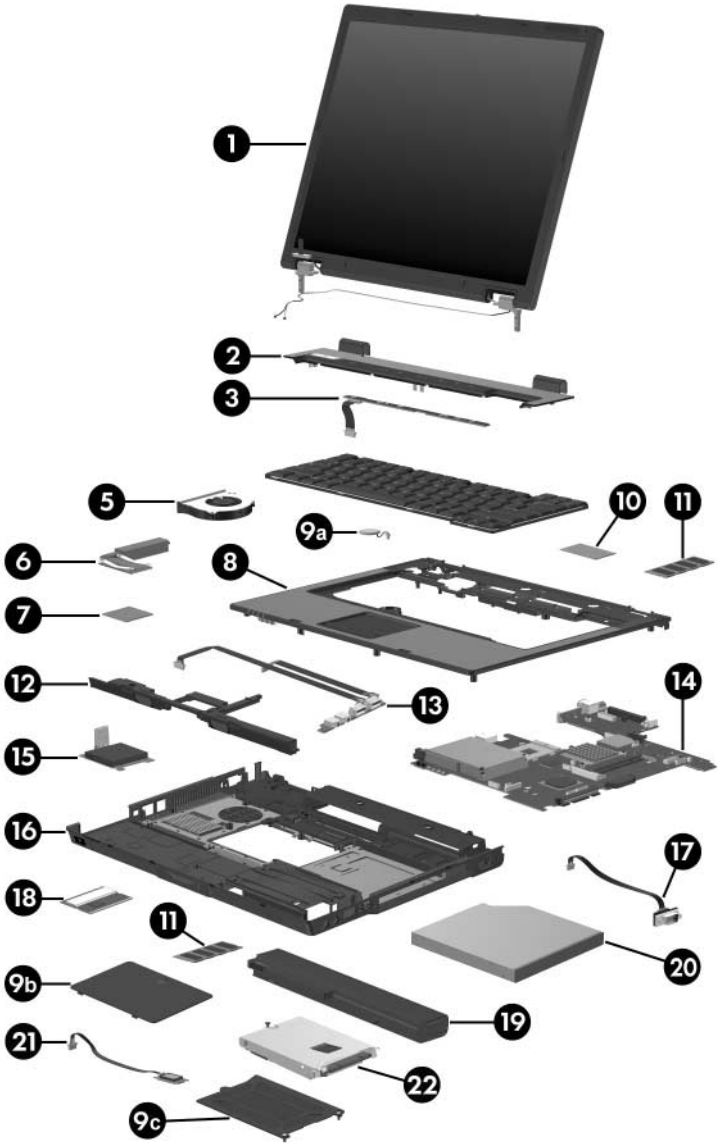
<b>Item</b>	<b>Description</b>	<b>Spare Part Number</b>
13	<b>USB/audio board</b> (for use only with full-featured models; includes audio board cable, and USB board cable)	378226-001
	<b>Audio board</b> (for use only with defeatured models; includes audio board cable)	378241-001
14	<b>System boards</b>	
	For use with full-featured models	378225-001
	For use with defeatured models-GML	378238-001
	For use with defeatured models-GM	383219-001
15	<b>Digital media board</b> (for use only with full-featured models; includes digital media board cable)	378229-001
16	<b>Base enclosure</b>	
	For use with full-featured models	378231-001
	For use with defeatured models	378240-001
17	<b>Serial connector module</b> (for use only with full-featured models; includes serial connector board cable)	378227-001



Notebook Major Components

**Table 3-1****Spare Parts: Notebook Major Components (Continued)**

<b>Item</b>	<b>Description</b>	<b>Spare Part Number</b>
18	<b>Mini PCI communications cards</b>	
	802.11b/g WLAN card, for use in MOW	381582-001
	802.11b/g WLAN card, for use in the ROW	381583-001
	802.11b/g combination WLAN card, for use internationally	373032-002
	802.11b/g combination WLAN card, for use Japan	373032-291
	802.11b/g combination WLAN card, for use in the United States	373032-001
	802.11a/b/g combination WLAN card, for use in Europe, Middle East, Africa	373900-021
	802.11a/b/g combination WLAN Mini PCI communications card for use Japan	373900-291
	802.11a/b/g combination WLAN card, for use internationally	373033-002
	802.11a/b/g combination WLAN card, for use Japan	373033-291
	802.11a/b/g combination WLAN card, for use in MOW	373900-001
	802.11a/b/g combination WLAN card, for use in the United States	373033-001
	802.11a/b/g High Band combination WLAN card	373901-001
19	<b>Battery packs</b>	
	6-cell, 4.4-AHr	372772-001
	6-cell, 4.4-AHr	383220-001
	6-cell, 2.2-AHr	364602-001

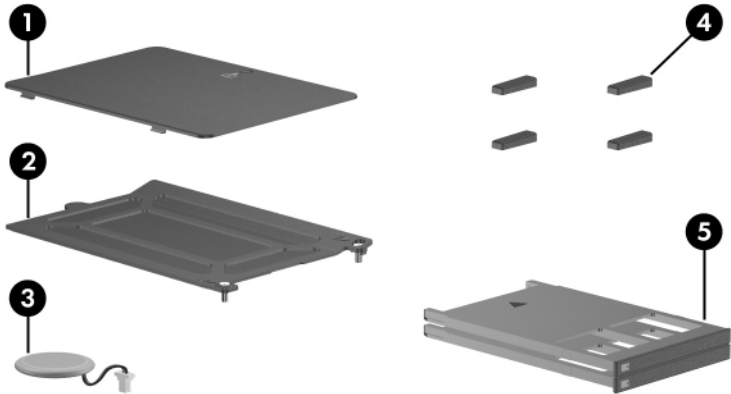


Notebook Major Components

**Table 3-1****Spare Parts: Notebook Major Components (Continued)**

<b>Item</b>	<b>Description</b>	<b>Spare Part Number</b>
20	<b>Optical drives</b> (include bezel)	
	24X Max CD-ROM drive	380768-001
	8X Max DVD-ROM drive	380770-001
	4X Max DVD±RW and CD-RW Combo Drive	380771-001
	DVD/CD-RW Combo Drive	380772-001
	8X Max DVD±RW and CD-RW Combo Drive	380773-001
21	<b>Broadcomm Bluetooth® wireless board</b> (includes Bluetooth board cable)	367871-001
22	<b>Hard drives</b> (include frame and connector)	
	5400-rpm	4200-rpm
	80-GB      380108-001	80-GB      378214-001
	60-GB      378215-001	60-GB      378213-001
	40-GB      380107-001	30-GB      378211-001

### 3.3 Miscellaneous Plastics Kit



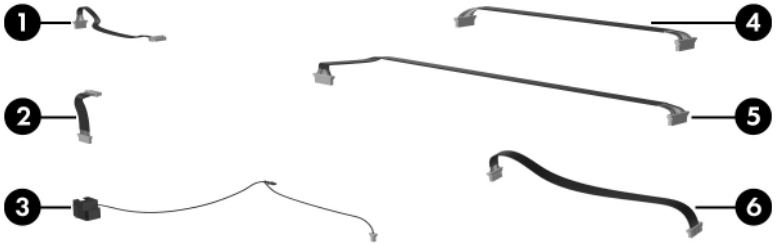
**Table 3-2**

**Spare Part Number 378236-001**

<b>Item</b>	<b>Description</b>
1	Memory module/Mini PCI compartment cover (includes 1 captive screw)
2	Hard drive cover (includes 2 captive screws)
3	RTC battery
4	Notebook feet (4)
5	PC Card slot space savers (2)



### 3.4 Miscellaneous Cable Kit



**Table 3-3**  
**Spare Part Number 381709-001**

Item	Description
1	Bluetooth board cable
2	LED board cable
3	RJ-11 connector module and cable
4	Audio board cable
5	USB board cable
6	Serial connector module cable

### 3.5 Mass Storage Devices



**Table 3-4**  
**Spare Part Number Information**

Item	Description	Spare Part Number
1	<b>Hard drives</b> (include frame and connector)	
	5400-rpm	4200-rpm
	80-GB	80-GB
	380108-001	378214-001
	60-GB	60-GB
	378215-001	378213-001
	40-GB	30-GB
	380107-001	378211-001
2	<b>Optical drives</b> (include bezel)	
	24X Max CD-ROM drive	380768-001
	8X Max DVD-ROM drive	380770-001
	4X Max DVD±RW and CD-RW Combo Drive	380771-001
	DVD/CD-RW Combo Drive	380772-001
	8X Max DVD±RW and CD-RW Combo Drive	380773-001

## 3.6 Miscellaneous (Not Illustrated)

**Table 3-5**  
**Spare Part Information**

<b>Description</b>	<b>Spare Part Number</b>
<b>65 watt AC adapter</b>	239704-001
<b>HP Advanced Docking Station</b>	374804-001
<b>HP Docking Station</b>	374803-001
<b>Docking Station Miscellaneous Plastics Kit</b>	380089-001
<b>Carrying cases</b>	
Nylon top load	325815-001 and 325815-002
Nylon entry-level	325814-001
<b>External MultiBay cradle</b>	366143-001
<b>External MultiBay cradle power cable and stand</b>	366144-001
<b>MultiBay 24X DVD/CD-RW Combo Drive</b>	373315-001
<b>MultiBay 8X DVD-ROM Drive</b>	373314-001
<b>MultiBay hard drive, 80-GB, 5400-rpm</b>	375198-001
<b>8-cell travel battery</b>	367456-001
<b>USB 1.1 diskette drive</b>	359118-001

**Table 3-5**  
**Spare Part Information (Continued)**

Description	Spare Part Number
<b>Screw Kit</b> (includes the following screws; refer to <a href="#">Appendix C, "Screw Listing,"</a> for more information on specifications and usage)	378235-001
<ul style="list-style-type: none"> <li>■ Hex socket HM5.0x9.0 screw lock</li> <li>■ Phillips PM2.5x13.0 spring-loaded screw</li> <li>■ Phillips PM2.5x4.0 shoulder screw</li> <li>■ Phillips PM2.5x4.0 screw</li> <li>■ Phillips PM2.0x8.0 shoulder screw</li> <li>■ Phillips PM2.0x7.0 screw</li> </ul>	<ul style="list-style-type: none"> <li>■ Phillips PM2.0x4.0 screw</li> <li>■ Phillips PM2.0x3.0 screw</li> <li>■ Phillips PM1.5x4.0 screw</li> <li>■ Phillips PM1.5x3.5 screw</li> <li>■ Torx8 M2.0x9.0 screw</li> <li>■ Torx8 M2.0x4.0 screw</li> <li>■ Torx8 M2.0x2.0 screw</li> </ul>

**Table 3-5**  
**Spare Part Information (Continued)**

Description	Spare Part Number
<b>Power cords</b>	
For use in:	
Australia and New Zealand	246959-011
Belgium, Europe, Finland, France, Germany, Greece, the Netherlands, Norway, Portugal, Spain, and Sweden	246959-021
Brazil	246959-201
Canada, French Canada, Latin America, Taiwan, Thailand, and the United States	246959-001
Denmark	246959-081
Hong Kong and the United Kingdom	246959-031
Israel	246959-BB1
Italy	246959-061
Japan	246959-291
Korea	246959-AD1
Sweden	246959-AG1

## 3.7 Sequential Part Number Listing

---

**Table 3-6**  
**Sequential Part Number Listing**

<b>Spare Part Number</b>	<b>Description</b>
239704-001	65-watt AC adapter
246959-001	Power cord for use in Canada, French Canada, Latin America, Taiwan, Thailand, and the United States
246959-011	Power cord for use in Australia and New Zealand
246959-021	Power cord for use in Belgium, Europe, Finland, France, Germany, Greece, the Netherlands, Norway, Portugal, Spain, and Sweden
246959-031	Power cord for use in Hong Kong and the United Kingdom
246959-061	Power cord for use in Italy
246959-081	Power cord for use in Denmark
246959-201	Power cord for use in Brazil
246959-291	Power cord for use in Japan
246959-AD1	Power cord for use in Korea
246959-AG1	Power cord for use in Sweden
246959-BB1	Power cord for use in Israel
325814-001	Nylon entry-level carrying case
325815-001	Nylon top load carrying case
325815-002	Nylon top load carrying case
336578-001	512-MB memory module, 400-MHz DDR2

**Table 3-6**  
**Sequential Part Number Listing (*Continued*)**

<b>Spare Part Number</b>	<b>Description</b>
336579-001	1024-MB memory module, 400-MHz DDR2
359118-001	USB 1.1 diskette drive
364602-001	6-cell, 2.2-AHr battery pack
366143-001	External MultiBay cradle
366144-001	External MultiBay cradle power cable and stand
366577-001	256-MB memory module, 400-MHz DDR2
367456-001	8-cell travel battery
367871-001	Broadcomm Bluetooth wireless board, includes cable
372772-001	6-cell, 4.4-AHr battery pack
373032-001	802.11b/g combination WLAN Mini PCI communications card for use in the United States
373032-002	802.11b/g combination WLAN Mini PCI communications card for use internationally
373032-291	802.11b/g combination WLAN Mini PCI communications card for use Japan
373033-001	802.11a/b/g combination WLAN card Mini PCI communications card for use in the United States
373033-002	802.11a/b/g combination WLAN Mini PCI communications card for use internationally
373033-291	802.11a/b/g combination WLAN Mini PCI communications card for use in Japan
373314-001	MultiBay 8X DVD-ROM Drive
373315-001	MultiBay 24X DVD/CD-RW Combo Drive

**Table 3-6**  
**Sequential Part Number Listing (*Continued*)**

<b>Spare Part Number</b>	<b>Description</b>
373900-001	802.11a/b/g combination WLAN card Mini PCI communications card for use in MOW
373900-021	802.11a/b/g combination WLAN Mini PCI communications card for use Europe, Middle East, and Africa
373900-291	802.11a/b/g combination WLAN Mini PCI communications card for use Japan
373901-001	802.11a/b/g High Band combination WLAN Mini PCI communications card
374803-001	HP Docking Station
374804-001	HP Advanced Docking Station
375198-001	MultiBay hard drive, 80-GB, 5400-rpm
378208-001	14.1-inch, XGA, TFT, display assembly, includes wireless antenna boards and cables
378209-001	15.0-inch, XGA, TFT, display assembly, includes wireless antenna boards and cables
378210-001	15.0-inch, SXGA+WVA, TFT display assembly, includes wireless antenna boards and cables
378211-001	30-GB hard drive, 4200-rpm, includes frame and connector
378213-001	60-GB hard drive, 4200-rpm, includes frame and connector
378214-001	80-GB hard drive, 4200-rpm, includes frame and connector
378215-001	60-GB hard drive, 5400-rpm, includes frame and connector



**Table 3-6**  
**Sequential Part Number Listing (*Continued*)**

<b>Spare Part Number</b>	<b>Description</b>
378217-001	Intel Celeron 1.4-GHz processor, includes thermal paste
378218-001	Intel Celeron 1.5-GHz processor, includes thermal paste
378219-001	Intel Pentium M 1.30-GHz processor, includes thermal paste
378220-001	Intel Pentium M 1.60-GHz processor, includes thermal paste
378221-001	Intel Pentium M 1.73-GHz processor, includes thermal paste
378222-001	Intel Pentium M 1.86-GHz processor, includes thermal paste
378223-001	Intel Pentium M 2.00-GHz processor, includes thermal paste
378224-001	Intel Pentium M 2.13-GHz processor, includes thermal paste
378225-001	System board, for use only with full-featured models
378226-001	USB/audio board, includes audio board cable and USB board cable, for use only with full-featured models
378227-001	Serial connector board, includes serial connector board cable
378228-001	LED board, includes LED board cable
378229-001	Digital media board, includes digital media board cable
378230-001	Top cover, includes TouchPad, for use only with full-featured models
378231-001	Base enclosure, for use only with full-featured models
378232-001	Switch cover, for use only with full-featured models
378233-001	Fan
378235-001	Miscellaneous Screw Kit

---

**Table 3-6**  
**Sequential Part Number Listing (*Continued*)**

---

<b>Spare Part Number</b>	<b>Description</b>
378236-001	Miscellaneous Plastics Kit
378237-001	Speaker
378238-001	System board, for use only with defeatured models (GML)
378239-001	Top cover, includes TouchPad, for use only with defeatured models
378240-001	Base enclosure, for use only with defeatured models
378241-001	Audio board, includes audio cable, for use only with defeatured models
378242-001	Switch cover, for use only with defeatured models
378248-001	Keyboard for use in United States
378248-002	Keyboard for use internationally
378248-031	Keyboard for use in United Kingdom
378248-041	Keyboard for use in Germany
378248-051	Keyboard for use in France
378248-061	Keyboard for use in Italy
378248-071	Keyboard for use in Spain
378248-081	Keyboard for use in Denmark
378248-091	Keyboard for use in Norway
378248-101	Keyboard for use in Sweden
378248-111	Keyboard for use in Switzerland
378248-121	Keyboard for use in French Canada

---

**Table 3-6**  
**Sequential Part Number Listing (*Continued*)**

<b>Spare Part Number</b>	<b>Description</b>
378248-131	Keyboard for use in Portugal
378248-141	Keyboard for use in Turkey
378248-151	Keyboard for use in Greece
378248-161	Keyboard for use in Latin America
378248-171	Keyboard for use in Saudi Arabia
378248-181	Keyboard for use in Belgium
378248-201	Keyboard for use in Brazil
378248-211	Keyboard for use in Hungary
378248-221	Keyboard for use in the Czech Republic
378248-231	Keyboard for use in Slovakia
378248-251	Keyboard for use in Russia
378248-281	Keyboard for use in Thailand
378248-291	Keyboard for use in Japan
378248-AB1	Keyboard for use in Taiwan
378248-AD1	Keyboard for use in Korea
378248-BA1	Keyboard for use in Slovenia
378248-BB1	Keyboard for use in Israel
378248-DD1	Keyboard for use in Iceland
379799-001	Heat sink, includes thermal paste
380107-001	40-GB hard drive, 5400-rpm, includes frame and connector
380108-001	80-GB hard drive, 5400-rpm, includes frame and connector
380768-001	24X Max CD-ROM drive, includes bezel

**Table 3-6**  
**Sequential Part Number Listing (*Continued*)**

<b>Spare Part Number</b>	<b>Description</b>
380770-001	8X Max DVD-ROM drive, includes bezel
380771-001	4X Max DVD±RW and CD-RW Combo Drive, includes bezel
380772-001	DVD/CD-RW Combo Drive, includes bezel
380773-001	8X Max DVD±RW and CD-RW Combo Drive, includes bezel
380774-001	Modem board
381582-001	802.11b/g WLAN Mini PCI communications card for use in MOW
381583-001	802.11b/g WLAN Mini PCI communications card for use in ROW
381709-001	Miscellaneous Cable Kit
383219-001	System board, for use only with defeated models (GM)
383220-001	6-cell, 4.0-AHr battery pack

---

## Removal and Replacement Preliminaries

This chapter provides essential information for proper and safe removal and replacement service.

### 4.1 Tools Required

You will need the following tools to complete the removal and replacement procedures:

- Magnetic driver
- Phillips P0 driver
- 5.0-mm socket for system board locks
- Flat-bladed driver
- Tool kit—includes connector removal tool, loopback plugs, and case utility tool

## 4.2 Service Considerations

The following sections include some of the considerations that you should keep in mind during disassembly and assembly procedures.



As you remove each subassembly from the notebook, place the subassembly (and all accompanying screws) away from the work area to prevent damage.

---

### Plastic Parts

Using excessive force during disassembly and reassembly can damage plastic parts. Use care when handling the plastic parts. Apply pressure only at the points designated in the maintenance instructions.

### Cables and Connectors



**CAUTION:** When servicing the notebook, ensure that cables are placed in their proper locations during the reassembly process. Improper cable placement can damage the notebook.

---

Cables must be handled with extreme care to avoid damage. Apply only the tension required to unseat or seat the cables during removal and insertion. Handle cables by the connector whenever possible. In all cases, avoid bending, twisting, or tearing cables. Ensure that cables are routed in such a way that they cannot be caught or snagged by parts being removed or replaced. Handle flex cables with extreme care; these cables tear easily.

## 4.3 Preventing Damage to Removable Drives

Removable drives are fragile components that must be handled with care. To prevent damage to the notebook, damage to a removable drive, or loss of information, observe the following precautions:

- Before removing or inserting a hard drive, shut down the notebook. If you are unsure whether the notebook is off or in hibernation, turn the notebook on, and then shut it down through the operating system.
- Before removing a diskette drive or optical drive, ensure that a diskette or disc is not in the drive and ensure that the optical drive tray is closed.
- Before handling a drive, ensure that you are discharged of static electricity. While handling a drive, avoid touching the connector.
- Handle drives on surfaces covered with at least one inch of shock-proof foam.
- Avoid dropping drives from any height onto any surface.
- After removing a hard drive, an optical drive, or a diskette drive, place it in a static-proof bag.
- Avoid exposing a hard drive to products that have magnetic fields, such as monitors or speakers.
- Avoid exposing a drive to temperature extremes or liquids.
- If a drive must be mailed, place the drive in a bubble pack mailer or other suitable form of protective packaging and label the package “FRAGILE: Handle With Care.”

## **4.4 Preventing Electrostatic Damage**

Many electronic components are sensitive to electrostatic discharge (ESD). Circuitry design and structure determine the degree of sensitivity. Networks built into many integrated circuits provide some protection, but in many cases, the discharge contains enough power to alter device parameters or melt silicon junctions.

A sudden discharge of static electricity from a finger or other conductor can destroy static-sensitive devices or microcircuitry. Often the spark is neither felt nor heard, but damage occurs.

An electronic device exposed to electrostatic discharge might not be affected at all and can work perfectly throughout a normal cycle. Or the device might function normally for a while, then degrade in the internal layers, reducing its life expectancy.



## 4.5 Packaging and Transporting Precautions

Use the following grounding precautions when packaging and transporting equipment:

- To avoid hand contact, transport products in static-safe containers, such as tubes, bags, or boxes.
- Protect all electrostatic-sensitive parts and assemblies with conductive or approved containers or packaging.
- Keep electrostatic-sensitive parts in their containers until the parts arrive at static-free workstations.
- Place items on a grounded surface before removing items from their containers.
- Always be properly grounded when touching a sensitive component or assembly.
- Store reusable electrostatic-sensitive parts from assemblies in protective packaging or nonconductive foam.
- Use transporters and conveyors made of antistatic belts and roller bushings. Ensure that mechanized equipment used for moving materials is wired to ground and that proper materials are selected to avoid static charging. When grounding is not possible, use an ionizer to dissipate electric charges.

## 4.6 Workstation Precautions

Use the following grounding precautions at workstations:

- Cover the workstation with approved static-shielding material (refer to [Table 4-2, “Static-Shielding Materials”](#)).
- Use a wrist strap connected to a properly grounded work surface and use properly grounded tools and equipment.
- Use conductive field service tools, such as cutters, drivers, and vacuums.
- When fixtures must directly contact dissipative surfaces, use fixtures made only of static-safe materials.
- Keep the work area free of nonconductive materials, such as ordinary plastic assembly aids and Styrofoam.
- Handle electrostatic-sensitive components, parts, and assemblies by the case or PCM laminate. Handle these items only at static-free workstations.
- Avoid contact with pins, leads, or circuitry.
- Turn off power and input signals before inserting or removing connectors or test equipment.

## 4.7 Grounding Equipment and Methods

Grounding equipment must include either a wrist strap or a foot strap at a grounded workstation.

- When seated, wear a wrist strap connected to a grounded system. Wrist straps are flexible straps with a minimum of one megohm  $\pm 10\%$  resistance in the ground cords. To provide proper ground, wear a strap snugly against the skin at all times. On grounded mats with banana-plug connectors, use alligator clips to connect a wrist strap.

- When standing, use foot straps and a grounded floor mat. Foot straps (heel, toe, or boot straps) can be used at standing workstations and are compatible with most types of shoes or boots. On conductive floors or dissipative floor mats, use foot straps on both feet with a minimum of one megohm resistance between the operator and ground. To be effective, the conductive strips must be worn in contact with the skin.

Other grounding equipment recommended for use in preventing electrostatic damage includes:

- Antistatic tape
- Antistatic smocks, aprons, and sleeve protectors
- Conductive bins and other assembly or soldering aids
- Nonconductive foam
- Conductive tabletop workstations with ground cords of one megohm resistance
- Static-dissipative tables or floor mats with hard ties to the ground
- Field service kits
- Static awareness labels
- Material-handling packages
- Nonconductive plastic bags, tubes, or boxes
- Metal tote boxes
- Electrostatic voltage levels and protective materials

Table 4-1 shows how humidity affects the electrostatic voltage levels generated by different activities.

---

**Table 4-1**  
**Typical Electrostatic Voltage Levels**

Event	Relative Humidity		
	10%	40%	55%
Walking across carpet	35,000 V	15,000 V	7,500 V
Walking across vinyl floor	12,000 V	5,000 V	3,000 V
Motions of bench worker	6,000 V	800 V	400 V
Removing DIPS from plastic tube	2,000 V	700 V	400 V
Removing DIPS from vinyl tray	11,500 V	4,000 V	2,000 V
Removing DIPS from Styrofoam	14,500 V	5,000 V	3,500 V
Removing bubble pack from PCB	26,500 V	20,000 V	7,000 V
Packing PCBs in foam-lined box	21,000 V	11,000 V	5,000 V



A product can be degraded by as little as 700 V.

---

Table 4-2 lists the shielding protection provided by antistatic bags and floor mats.

---

**Table 4-2**  
**Static-Shielding Materials**

Material	Use	Voltage Protection Level
Antistatic plastic	Bags	1,500 V
Carbon-loaded plastic	Floor mats	7,500 V
Metallized laminate	Floor mats	5,000 V

# 5

---

## Removal and Replacement Procedures

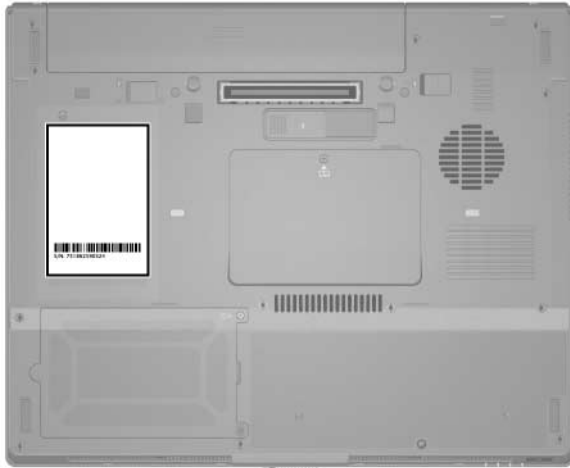
This chapter provides removal and replacement procedures.

There are 62 screws and screw locks, in 11 different sizes, that must be removed, replaced, or loosened when servicing the notebook. Make special note of each screw and screw lock size and location during removal and replacement.

Refer to [Appendix C, “Screw Listing”](#) for detailed information on screw and screw lock sizes, locations, and usage.

## 5.1 Serial Number


Report the notebook serial number to HP when requesting information or ordering spare parts. The serial number is located on the bottom of the notebook.



*Serial Number Location*

## 5.2 Disassembly Sequence Chart

Use the chart below to determine the section number to be referenced when removing notebook components.

Disassembly Sequence Chart		
Section	Description	# of Screws Removed
5.3	Preparing the notebook for disassembly	
	Battery pack	0
	Hard drive	2 loosened to remove the hard drive cover 1 loosened to remove the hard drive 6 to disassemble hard drive
5.4	Notebook feet	0
5.5	Bluetooth board	0
5.6	External memory module	1 loosened to remove the memory module/Mini PCI compartment cover
5.7	Mini PCI Communications Card	1 loosened to remove the memory module/Mini PCI compartment cover
	 To prevent an unresponsive system and the display of a warning message, install only a Mini PCI device authorized for use in your notebook by the governmental agency that regulates wireless devices in your country. If you install a device and then receive a warning message, remove the device to restore notebook functionality. Then contact Customer Care.	
5.8	Optical drive	1

**Disassembly Sequence Chart (Continued)**

<b>Section</b>	<b>Description</b>	<b># of Screws Removed</b>
5.9	Keyboard	2
5.10	Switch cover	2
5.11	LED board	4
5.12	Fan	2 loosened
5.13	Heat sink	4 loosened
5.14	Processor	1 loosened
5.15	Modem board	2
5.16	Internal memory module	0
5.17	RTC battery	0
5.18	Display assembly	6
5.19	Top cover	15
5.20	Speaker	4
5.21	Digital media board	0
5.22	USB/audio board	1
5.23	System board	1 screw 4 screw locks on HP Compaq nc6110 and nc6120 models 2 screw locks on HP Compaq nx6110 and nx6120 models
5.24	Serial connector module	2 screw locks



## 5.3 Preparing the Notebook for Disassembly

Before you begin any removal or installation procedures:

1. Shut down the notebook. If you are unsure whether the notebook is off or in hibernation, turn the computer on, and then shut it down through the operating system.
2. Disconnect all external devices connected to the notebook.
3. Disconnect the power cord.

---

### Battery Pack Spare Part Number Information

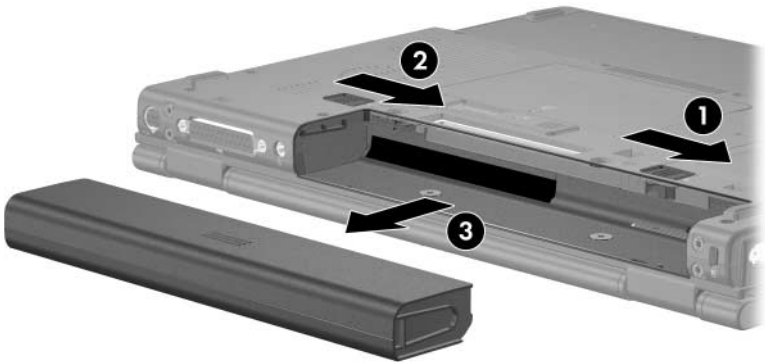
---

6-cell, 4.4-AHr	372772-001
6-cell, 4.4-AHr	383220-001
6-cell, 2.2-AHr	364602-001

---

4. Remove the battery pack by following these steps:
  - a. Turn the notebook upside down with the rear panel toward you.

- b. Slide and hold the battery pack lock latch **1** to the right.
- c. Slide the battery pack release latch **2** to the right. (The battery pack disengages from the notebook.)
- d. Slide the battery pack straight back **3** and remove it.



*Removing the Battery Pack*

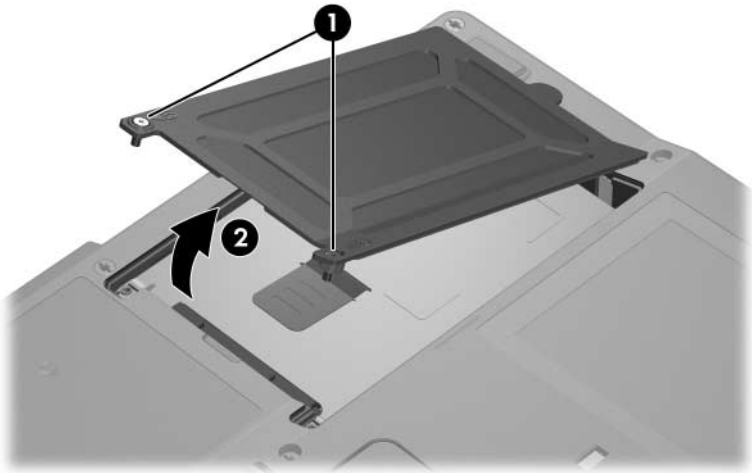
Reverse the above procedure to install the battery pack.

5. Remove the hard drive by following these steps:
  - a. Loosen the 2 PM2.0×4.0 screws ❶ that secure the hard drive cover to the notebook.
  - b. Lift the left side of the hard drive cover and swing it to the right ❷.
  - c. Remove the hard drive cover.



The hard drive cover is included in the Miscellaneous Plastics Kit, spare part number 378236-001.

---



*Removing the Hard Drive Cover*

---

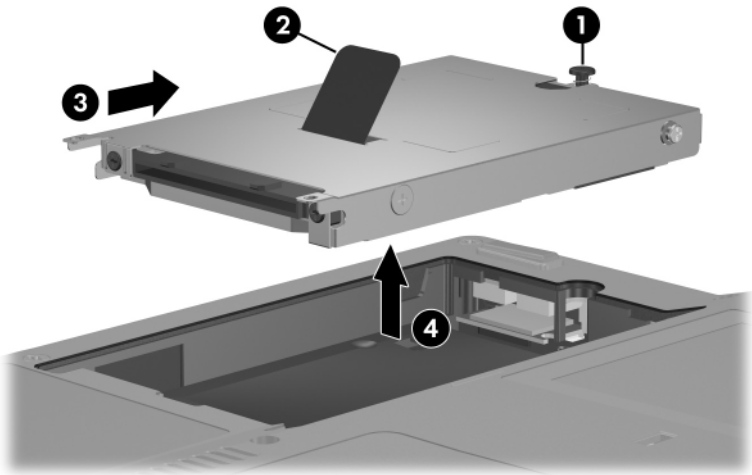
### Hard Drive Spare Part Number Information

---

5400-rpm		4200-rpm	
80-GB	380108-001	80-GB	378214-001
60-GB	378215-001	60-GB	378213-001
40-GB	380107-001	30-GB	378211-001

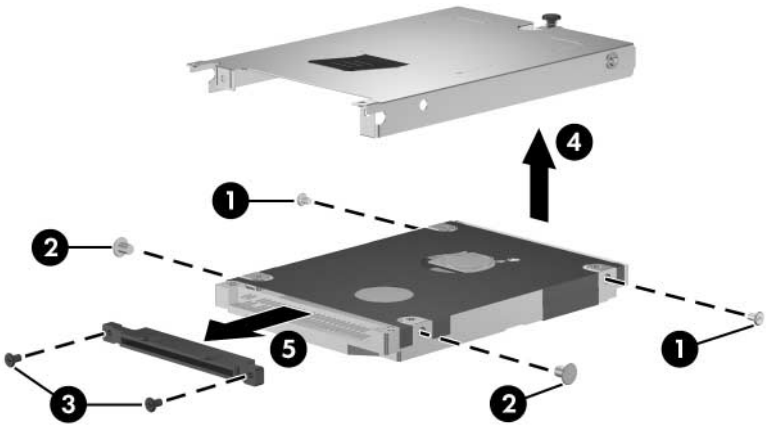
---

- d. Loosen the PM2.5×13.0 spring-loaded hard drive retention screw ❶.
- e. Grasp the mylar tab ❷ on the left side of the hard drive and slide the hard drive to the right ❸ to disconnect it from the system board.
- f. Remove the hard drive from the hard drive bay ❹.



*Removing the Hard Drive*

- g. Remove the 2 PM2.5×4.0 hard drive frame shoulder screws **1** from each side of the hard drive.
- h. Remove the 2 PM2.5×4.0 hard drive frame screws **2** from each side of the hard drive.
- i. Remove the 2 PM1.5×3.5 hard drive frame screws **3** from the front of the hard drive.
- j. Lift the frame straight up **4** to remove it from the hard drive.
- k. Remove the hard drive connector **5** from the hard drive.



*Removing the Hard Drive Frame and Connector*

Reverse the above procedure to install and reassemble the hard drive.

## **5.4 Notebook Feet**

The notebook feet are adhesive-backed rubber pads. The feet are included in the Miscellaneous Plastics Kit, spare part number 378236-001.



*Replacing the Notebook Feet*

## 5.5 Bluetooth Board

---

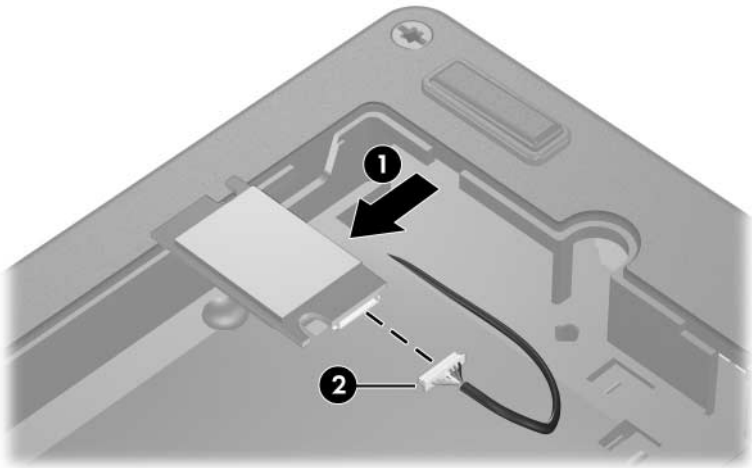
### Bluetooth Board Spare Part Number Information

---

Broadcomm Bluetooth wireless board (includes Bluetooth board cable)	367871-001
---	------------

---

1. Prepare the notebook for disassembly (refer to [Section 5.3](#)).
2. Slide the Bluetooth board out of the clip **1** in the hard drive compartment.
3. Disconnect the Bluetooth board cable **2** from the board.



#### *Removing the Bluetooth Board*

Reverse the above procedure to install a Bluetooth board.

## 5.6 External Memory Module

---

### Memory Module Spare Part Number Information

---

1024 MB	336579-001
512 MB	336578-001
256 MB	366577-001

---

1. Prepare the notebook for disassembly (refer to [Section 5.3](#)).
2. Position the notebook with the front toward you.

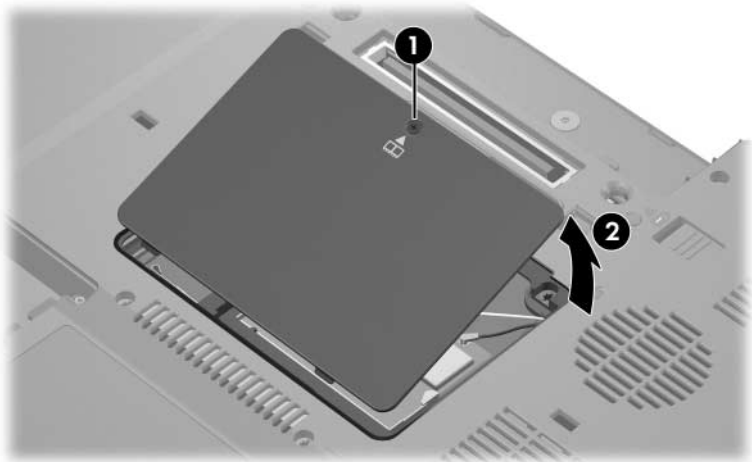


3. Loosen the PM2.0x4.0 screw **1** that secures the memory module/Mini PCI compartment cover to the notebook.
4. Lift the rear edge of the cover up and swing it toward you **2**.
5. Remove the memory module/Mini PCI compartment cover.



The memory module/Mini PCI compartment cover is included in the Miscellaneous Plastics Kit, spare part number 378236-001.

---



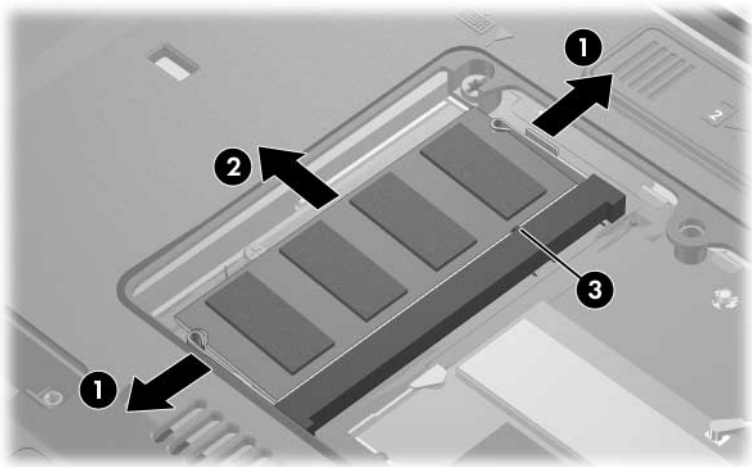
*Removing the Memory Module/Mini PCI Compartment Cover*

6. Spread the retaining tabs **1** on each side of the memory module socket to release the memory module board. (The edge of the module opposite the socket rises away from the notebook.)
7. Slide the module away from the socket at an angle **2**.
8. Remove the memory module board.



Note that memory modules are slotted **3** to prevent incorrect installation into the memory module socket.

---



*Removing the Memory Module*

Reverse the above procedure to install a memory module.

## 5.7 Mini PCI Communications Card

### Mini PCI Communications Card Spare Part Number Information

802.11b/g WLAN card, for use in MOW	381582-001
802.11b/g WLAN card, for use in the ROW	381583-001
802.11b/g combination WLAN card, for use internationally	373032-002
802.11b/g combination WLAN card, for use Japan	373032-291
802.11b/g combination WLAN card, for use in the United States	373032-001
802.11a/b/g combination WLAN card, for use in Europe, Middle East, and Africa	373900-021
802.11a/b/g combination WLAN Mini PCI communications card for use Japan	373900-291
802.11a/b/g combination WLAN card, for use internationally	373033-002
802.11a/b/g combination WLAN card, for use Japan	373033-291
802.11a/b/g combination WLAN card, for use in MOW	373900-001
802.11a/b/g combination WLAN card, for use in the United States	373033-001
802.11a/b/g High Band combination WLAN card	373901-001

1. Prepare the notebook for disassembly ([Section 5.3](#)).
2. Remove the memory module/Mini PCI compartment cover ([Section 5.6](#)).
3. Position the notebook with the front toward you.

4. Disconnect the auxiliary and main ❶ antenna cables from the Mini PCI communications card.

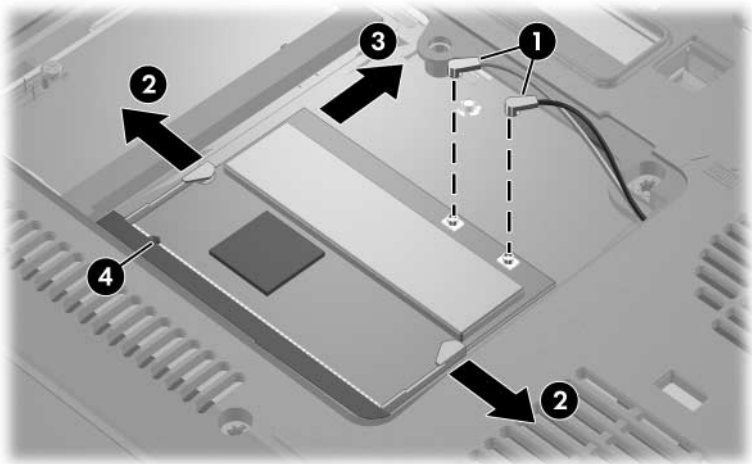


Make note of which antenna cable is attached to which antenna clip on the Mini PCI communications card before disconnecting the cables.

5. Spread the 2 retaining tabs ❷ on each side of the Mini PCI socket to release the Mini PCI communications card. (The edge of the card opposite the socket rises away from the notebook.)
6. Remove the Mini PCI communications card by pulling the card away from the socket at a 45-degree angle ❸.



Note that the Mini PCI communications card is slotted ❹ to prevent incorrect installation.



*Removing a Mini PCI Communications Card*

Reverse the above procedure to install a Mini PCI communications card.

## 5.8 Optical Drive

---

### Optical Drive Spare Part Number Information

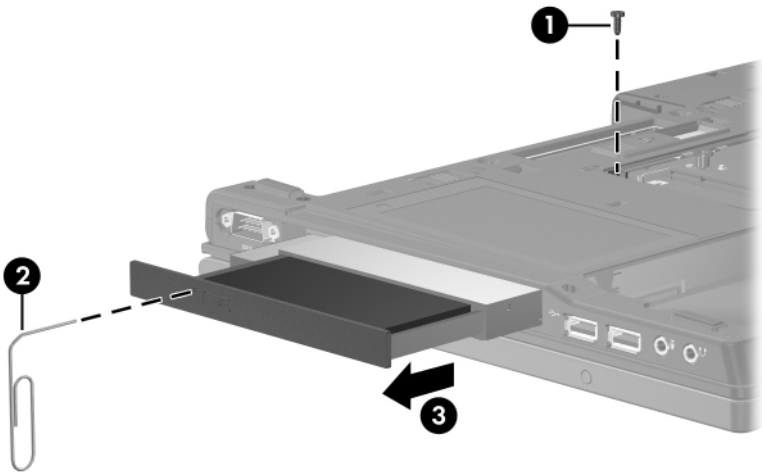
---

24X Max CD-ROM drive	380768-001
8X Max DVD-ROM drive	380770-001
4X Max DVD±RW and CD-RW Combo Drive	380771-001
DVD/CD-RW Combo Drive	380772-001
8X Max DVD±RW and CD-RW Combo Drive	380773-001

---

1. Prepare the notebook for disassembly ([Section 5.3](#)).
2. Remove the memory module/Mini PCI compartment cover ([Section 5.6](#)).
3. Position the notebook with right side toward you.

4. Remove the T8M2.0×9.0 screw ❶ that secures the optical drive to the notebook.
5. Insert a thin tool, such as an unbent paper clip ❷, into the media tray release hole and release the media tray.
6. Use the media tray to slide the optical to the left and out of the notebook ❸.
7. Remove the optical drive.



### *Removing the Optical Drive*

Reverse the above procedure to install an optical drive.

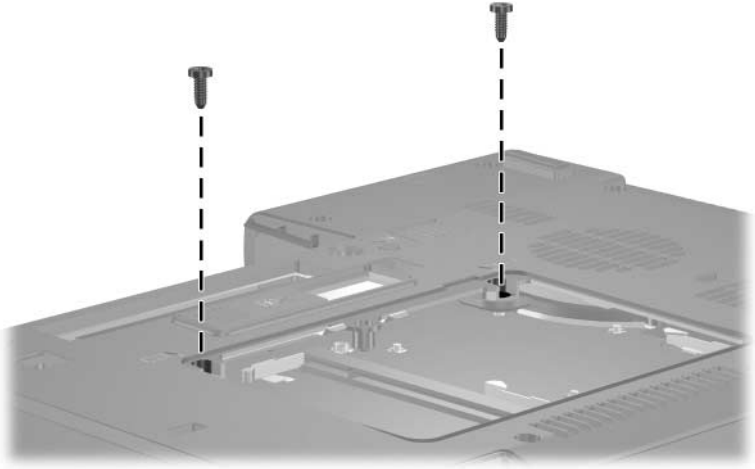
## 5.9 Keyboard

### Keyboard Spare Part Number Information

Belgium	378248-181	Latin America	378248-161
Brazil	378248-201	Norway	378248-091
Czech Republic	378248-221	Portugal	378248-131
Denmark	378248-081	Russia	378248-251
France	378248-051	Saudi Arabia	378248-171
French Canada	378248-121	Slovakia	378248-231
Germany	378248-041	Slovenia	378248-BA1
Greece	378248-151	Spain	378248-071
Hungary	378248-211	Sweden	378248-101
Iceland	378248-DD1	Switzerland	378248-111
International	378248-002	Taiwan	378248-AB1
Israel	378248-BB1	Thailand	378248-281
Italy	378248-061	Turkey	378248-141
Japan	378248-291	United Kingdom	378248-031
Korea	378248-AD1	United States	378248-001

1. Prepare the notebook for disassembly ([Section 5.3](#)).
2. Remove the memory module/Mini PCI compartment cover ([Section 5.6](#)).

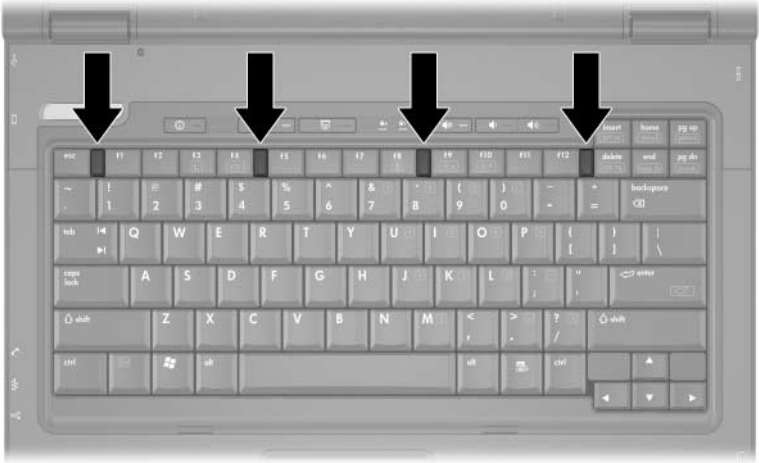
3. Remove the 2 T8M2.0×9.0 screws that secure the keyboard to the notebook.



*Removing the Keyboard Screws*



4. Turn the notebook display-side up with the front toward you.
5. Open the notebook as far as possible.
6. Slide the 4 keyboard retaining latches toward you.



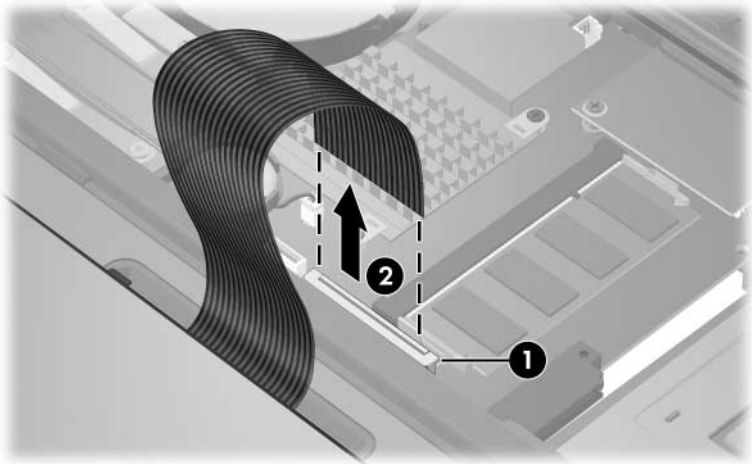
*Releasing the Keyboard Latches*

7. Lift the rear edge of the keyboard up and swing it toward you until it rests on the palm rest.



*Releasing the Keyboard*

8. Release the zero insertion force (ZIF) connector **1** to which the keyboard cable is attached and disconnect the keyboard cable **2**.



*Disconnecting the Keyboard Cable*

9. Remove the keyboard.

Reverse the above procedure to install the keyboard.

## 5.10 Switch Cover

---

### Switch Cover Spare Part Number Information

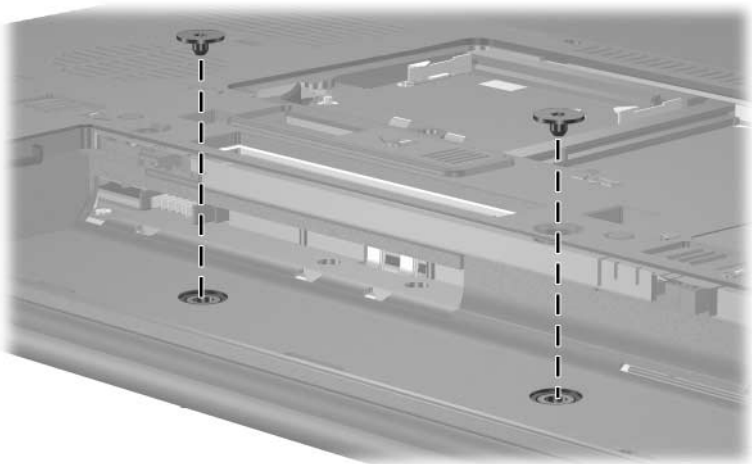
---

#### Switch covers

For use with full-featured models	378232-001
For use with defeatured models	378242-001

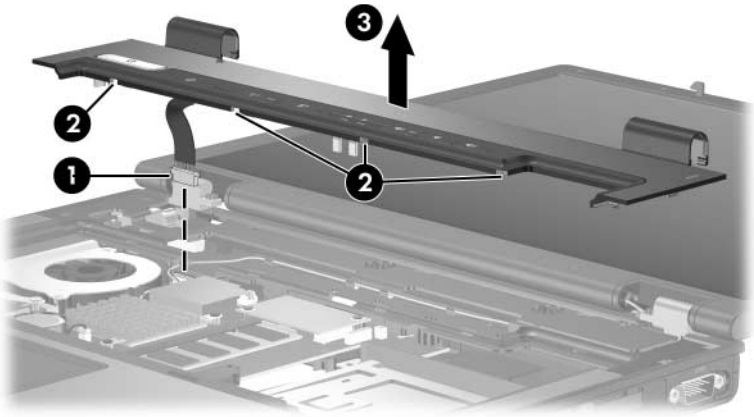
---

1. Prepare the notebook for disassembly ([Section 5.3](#)).
2. Remove the keyboard ([Section 5.9](#)).
3. Turn the notebook upside down with the rear panel toward you.
4. Remove the 2 T8M2.0x2.0 screws that secure the switch cover to the notebook.



*Removing the Switch Cover Screws*

5. Turn the notebook display-side up with front toward you.
6. Open the notebook as far as possible.
7. Disconnect the LED board cable ❶ from the system board.
8. Insert a flat blade driver into the four notches ❷ on the front edge of the switch cover and lift up ❸ until the cover disengages from the notebook.
9. Remove the switch cover.



### *Removing the Switch Cover*

Reverse the above procedure to install the switch cover.

## 5.11 LED Board



---

This section applies only to full-featured models.

---

---

### LED Board Spare Part Number Information

---

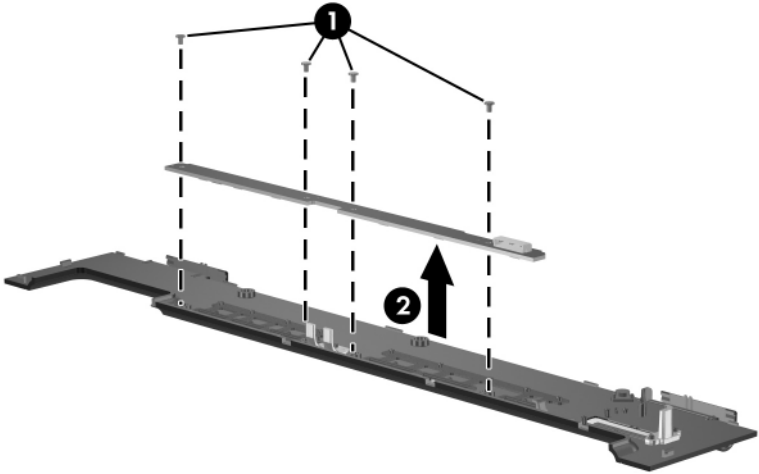
LED board (includes LED board cable)

378228-001

---

1. Prepare the notebook for disassembly ([Section 5.3](#)).
2. Remove the keyboard ([Section 5.9](#)).
3. Remove the switch cover ([Section 5.10](#)).
4. Turn the notebook upside down with the rear panel toward you.
5. Turn the switch cover upside down.

6. Remove the 4 PM1.5×4.0 screws ❶ that secure the LED board to the switch cover.
7. Remove the LED board ❷.



*Removing the LED Board*

Reverse the above procedure to install the LED board.

## 5.12 Fan

---

### Fan Spare Part Number Information

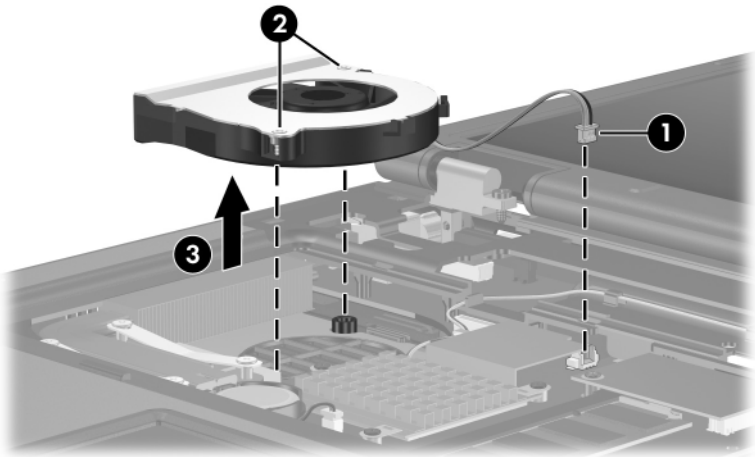
---

Fan

378233-001

---

1. Prepare the notebook for disassembly ([Section 5.3](#)).
2. Release the keyboard ([Section 5.9](#)).
3. Disconnect the fan cable ❶ from the system board.
4. Loosen the 2 PM2.0×7.0 screws ❷ that secure the fan to the notebook.
5. Remove the fan ❸.



#### *Removing the Fan*

Reverse the above procedure to install the fan.



## 5.13 Heat Sink

---

### Heat Sink Spare Part Number Information

---

Heat sink (includes thermal paste)

379799-001

---

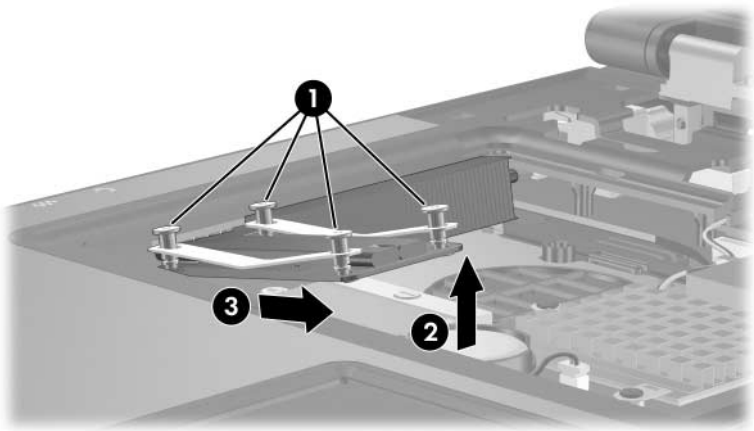
1. Prepare the notebook for disassembly ([Section 5.3](#)).
2. Release the keyboard ([Section 5.9](#)).
3. Remove the fan ([Section 5.12](#)).

4. Loosen the 4 PM2.0×8.0 shoulder screws ❶ that secure the heat sink to the notebook.
5. Lift the right side of the heat sink ❷ to disengage it from the processor.
6. Slide the heat sink up and to the right ❸ to remove it.



Due to the adhesive quality of the thermal paste located between the heat sink and processor, it may be necessary to move the heat sink from side to side to detach the heat sink from the processor.

---



### Removing the Heat Sink

Reverse the above procedure to install the heat sink.

## 5.14 Processor

---

### Processor Spare Part Number Information

---

Intel Pentium M 2.13-GHz	378224-001
Intel Pentium M 2.00-GHz	378223-001
Intel Pentium M 1.86-GHz	378222-001
Intel Pentium M 1.73-GHz	378221-001
Intel Pentium M 1.60-GHz	378220-001
Intel Pentium M 1.30-GHz	378219-001
Intel Celeron 1.5-GHz	378218-001
Intel Celeron 1.4-GHz	378217-001

---

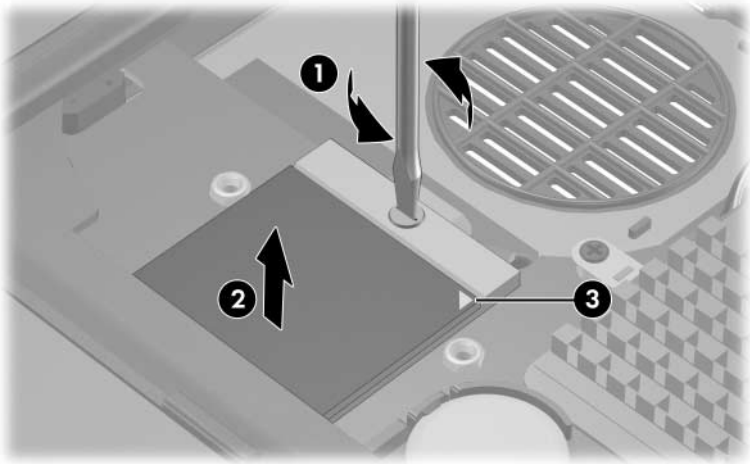
1. Prepare the notebook for disassembly ([Section 5.3](#)).
2. Release the keyboard ([Section 5.9](#)).
3. Remove the fan ([Section 5.12](#)).
4. Remove the heat sink ([Section 5.13](#)).

5. Use a flat-blade screw driver to turn the processor locking screw one-quarter turn counterclockwise ❶ until you hear a click.
6. Lift the processor straight up and remove it ❷.



The gold triangle ❸ on the processor should be aligned in the front right corner when you install the processor.

---



### *Removing the Processor*

Reverse the above procedure to install the processor.

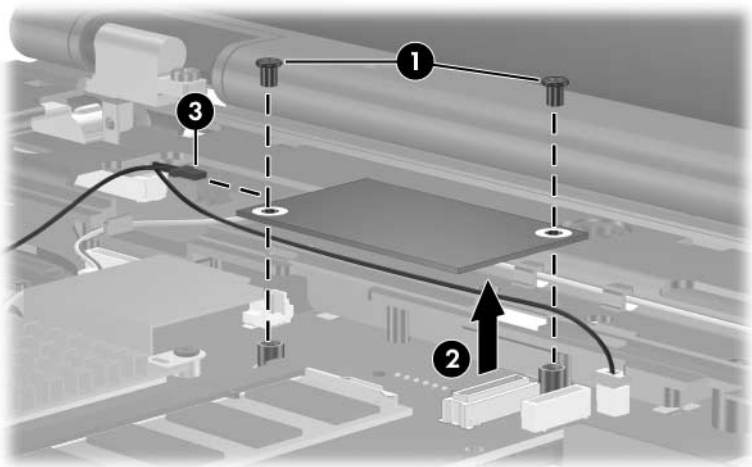
## 5.15 Modem Board

### Modem Board Spare Part Number Information

Modem board

380774-001

1. Prepare the notebook for disassembly ([Section 5.3](#)).
2. Release the keyboard ([Section 5.9](#)).
3. Remove the 2 PM2.0×3.0 screws **1** that secure the modem board to the notebook.
4. Lift the right side of the modem board **2** to disconnect it from the system board.
5. Disconnect the modem cable **3** from the modem board.
6. Remove the modem board.



*Removing the Modem Board*

Reverse the above procedure to install the modem board.

## 5.16 Internal Memory Module

---

### Memory Module Spare Part Number Information

---

1024 MB	336579-001
512 MB	336578-001
256 MB	366577-001

---

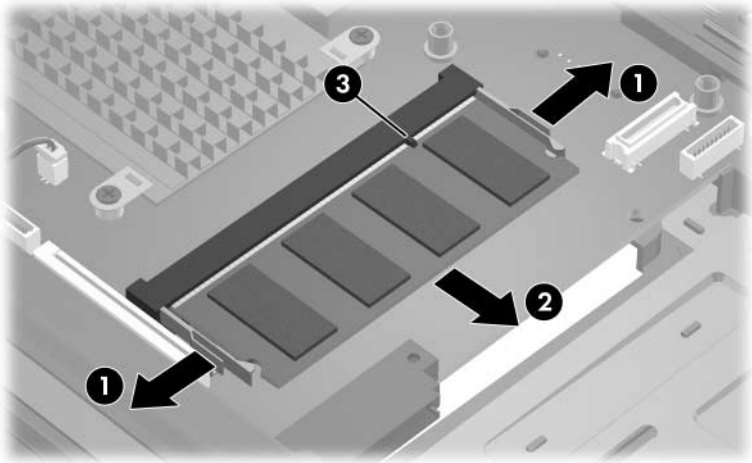
1. Prepare the notebook for disassembly ([Section 5.3](#)).
2. Release the keyboard ([Section 5.9](#)).

3. Spread the retaining tabs **1** on each side of the memory module socket to release the memory module board. (The edge of the module opposite the socket rises away from the notebook.)
4. Slide the module away from the socket at an angle **2**.
5. Remove the memory module board.



Note that memory modules are slotted **3** to prevent incorrect installation into the memory module socket.

---



### *Removing the Memory Module*

Reverse the above procedure to install a memory module.

## 5.17 RTC Battery

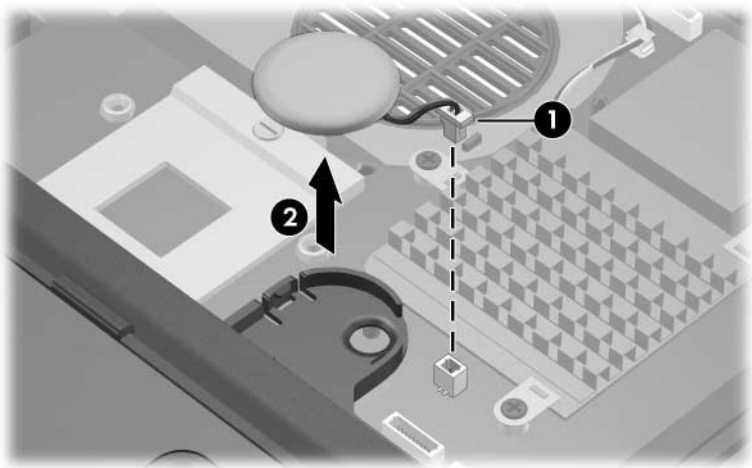
---



The RTC battery is included in the Miscellaneous Plastics Kit, spare part number 378236-001.

---

1. Prepare the notebook for disassembly ([Section 5.3](#)).
2. Release the keyboard ([Section 5.9](#)).
3. Disconnect the RTC battery cable ❶ from the system board.
4. Remove the RTC battery ❷ from the clip in the top cover.



*Removing the RTC Battery*

Reverse the above procedure to install an RTC battery.



## 5.18 Display Assembly

---

### Display Assembly Spare Part Number Information

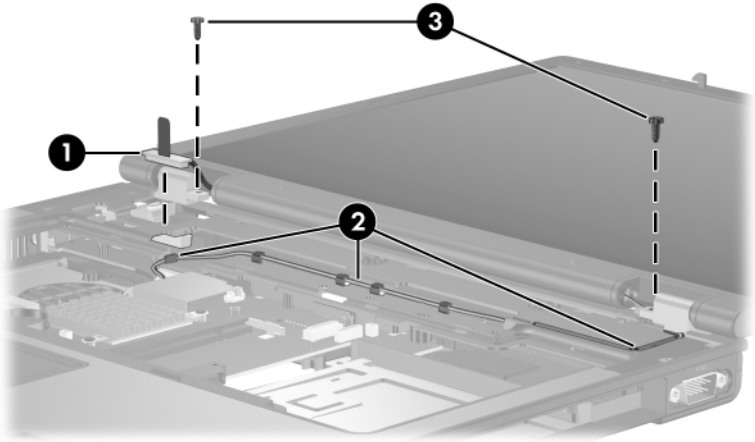
---

15.0-inch, SXGA+WVA, TFT	378210-001
15.0-inch, XGA, TFT	378209-001
14.1-inch, XGA, TFT	378208-001

---


1. Prepare the notebook for disassembly ([Section 5.3](#)), and then remove the following components:
  - a. Memory module/Mini PCI compartment cover ([Section 5.6](#))
  - b. Optical drive ([Section 5.8](#))
  - c. Keyboard ([Section 5.9](#))
  - d. Switch cover ([Section 5.10](#))
2. Disconnect the wireless antenna cables from the Mini PCI communications board ([Section 5.7](#)).
3. Turn the notebook display-side up with the front toward you.
4. Open the notebook as far as possible.

5. Disconnect the display cable ❶ from the system board.
6. Remove the wireless antenna cables from the Mini PCI compartment and the top cover clips ❷.
7. Remove the 2 T8M2.0×9.0 screws ❸ that secure the display assembly to the notebook.



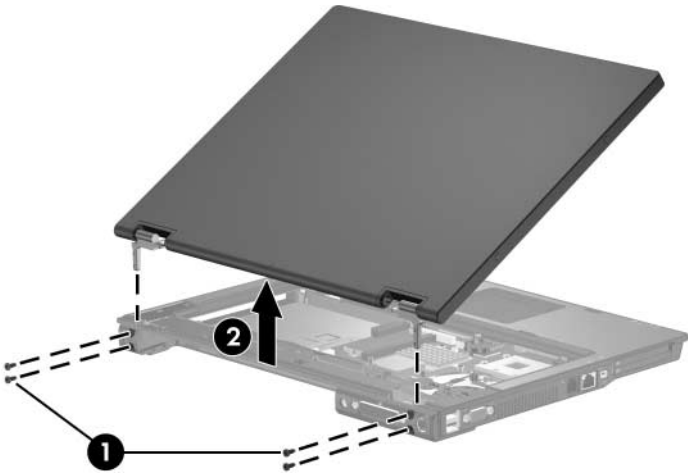
*Disconnecting the Display Cable and Removing the Display Screws*

8. Swing the display assembly into a partially closed position.
9. Position the notebook with the rear panel toward you.

 **CAUTION:** Support the display assembly when removing the following screws. Failure to support the display assembly can result in damage to the display assembly and other notebook components.

---

10. Remove the 4 T8M2.0x9.0 screws **1** that secure the display assembly to the notebook.
11. Lift the display assembly straight up and remove it **2**.



### *Removing the Display Assembly*

Reverse the above procedure to install the display assembly.

## 5.19 Top Cover

---

### Top Cover Spare Part Number Information

---

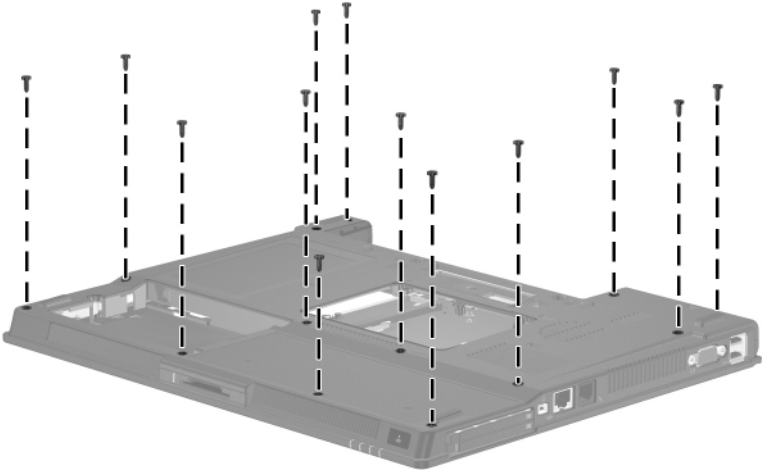
**Top covers** (include TouchPad)

For use with full-featured models	378230-001
For use with defeatured models	378239-001

---

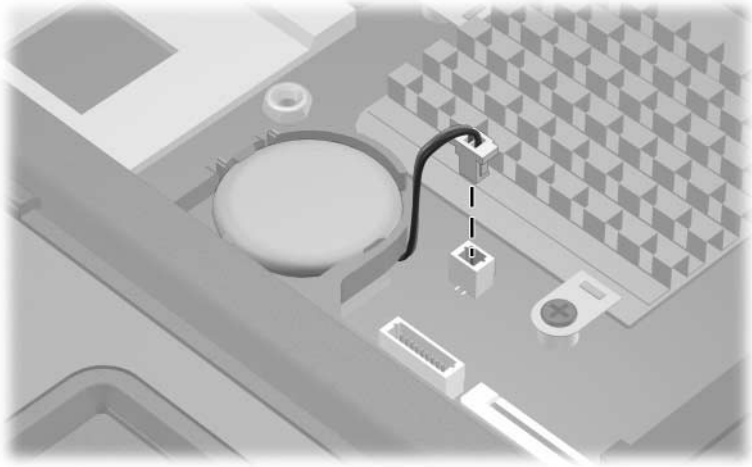
1. Prepare the notebook for disassembly ([Section 5.3](#)), and then remove the following components:
  - a. Memory module/Mini PCI compartment cover ([Section 5.6](#))
  - b. Optical drive ([Section 5.8](#))
  - c. Keyboard ([Section 5.9](#))
  - d. Switch cover ([Section 5.10](#))
  - e. Display assembly ([Section 5.18](#))
2. Turn the notebook upside down with the rear panel toward you.

3. Remove the 13 T8M2.0×9.0 screws that secure the top cover to the notebook.



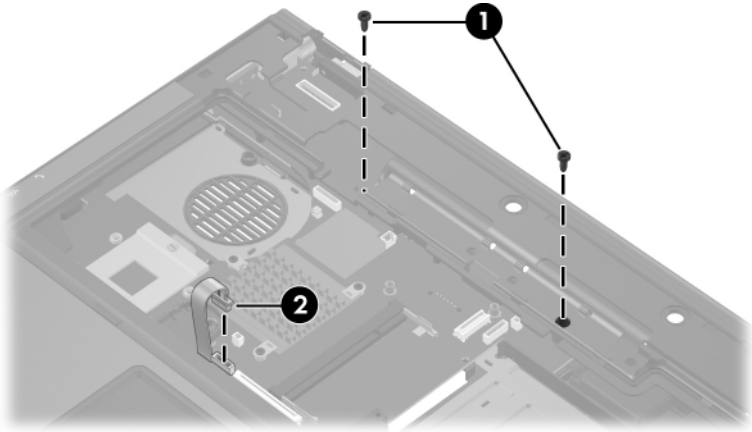
*Removing the Top Cover Screws, Part 1*

4. Turn the notebook right-side up with the front toward you.
5. Disconnect the RTC battery cable from the system board.



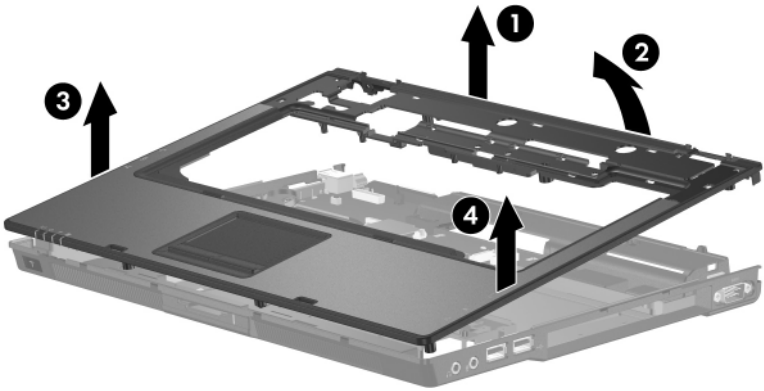
*Disconnecting the RTC Battery Cable*

6. Remove the 2 T8M2.0×9.0 screws **1** that secure the top cover to the notebook.
7. Disconnect the TouchPad cable **2** from the system board.



*Removing the Top Cover Screws, Part 2*

8. Lift up the rear edge of the top cover ❶ until it disengages from the base enclosure.
9. Swing the top cover toward you ❷ until the left and right sides of the top cover disengage from the base enclosure.
10. Lift up on the left ❸ and right sides ❹ of the top cover until the top cover disengages from the base enclosure.



### *Releasing the Top Cover*

11. Lift the top cover straight up until the front edge of the top cover disengages from the base enclosure and remove the top cover.

Reverse the above procedure to install the top cover.



## 5.20 Speaker

---

### Speaker Spare Part Number Information

---

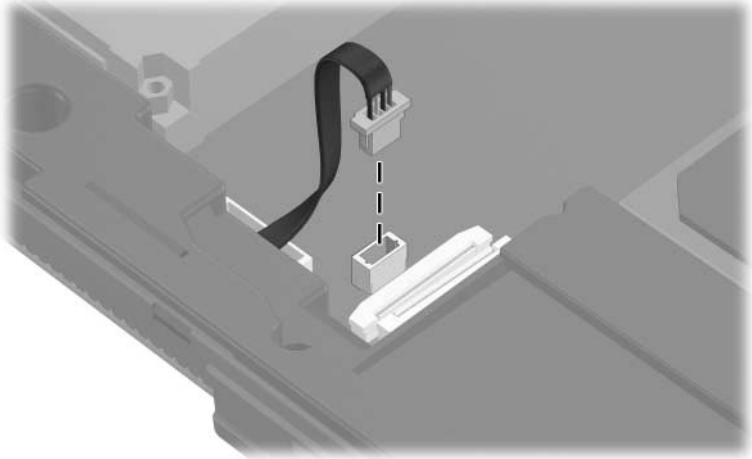
**Speaker**

378237-001

---

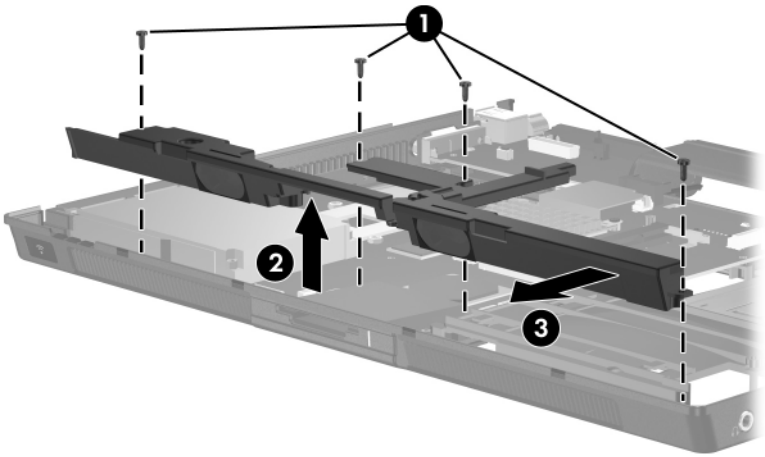
1. Prepare the notebook for disassembly ([Section 5.3](#)), and then remove the following components:
  - a. Memory module/Mini PCI compartment cover ([Section 5.6](#))
  - b. Optical drive ([Section 5.8](#))
  - c. Keyboard ([Section 5.9](#))
  - d. Switch cover ([Section 5.10](#))
  - e. Display assembly ([Section 5.18](#))
  - f. Top cover ([Section 5.19](#))

2. Disconnect the speaker cable from the system board.



*Disconnecting the Speaker Cable*

3. Remove the 4 T8M2.0x4.0 screws **1** that secure the speaker to the notebook.
4. Lift the speaker up **2** until it clears the system board.
5. Slide the speaker toward you **3** and remove it.



### *Removing the Speaker*

Reverse the above procedure to install the speaker.

## 5.21 Digital Media Board

---



This section applies only to full-featured models.

---

---

### Digital Media Board Spare Part Number Information

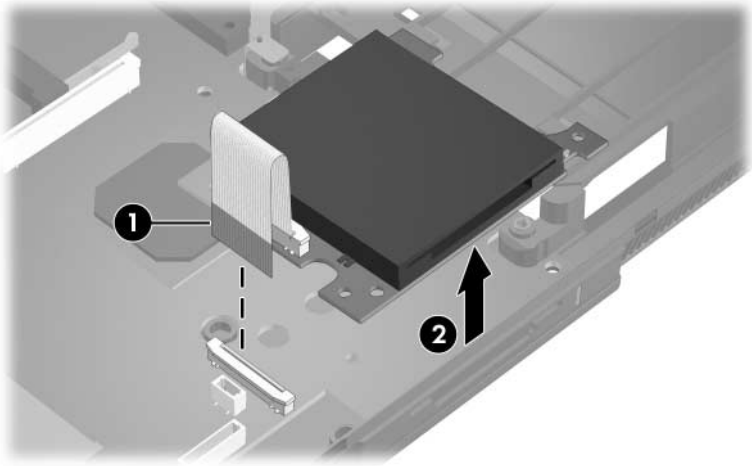
---

Digital media board (includes digital media board cable)	378229-001
--	------------

---

1. Prepare the notebook for disassembly ([Section 5.3](#)), and then remove the following components:
  - a. Memory module/Mini PCI compartment cover ([Section 5.6](#))
  - b. Optical drive ([Section 5.8](#))
  - c. Keyboard ([Section 5.9](#))
  - d. Switch cover ([Section 5.10](#))
  - e. Display assembly ([Section 5.18](#))
  - f. Top cover ([Section 5.19](#))
  - g. Speaker ([Section 5.20](#))

2. Release the ZIF connector to which the digital media board cable is attached and disconnect the digital media board cable ❶ from the system board.
3. Remove the digital media board ❷.



*Removing the Digital Media Board*

Reverse the above procedure to install the digital media board.

## 5.22 USB/Audio Board

---



Full-featured models are equipped with a USB/audio board. Defeatured models are equipped with an audio board. The removal procedures are identical for both boards.

---

---

### USB/Audio Board Spare Part Number Information

---

USB/audio board (for use only with full-featured models; includes audio board cable and USB board cable)	378226-001
Audio board (for use only with defeatured models; includes audio board cable)	378241-001

---

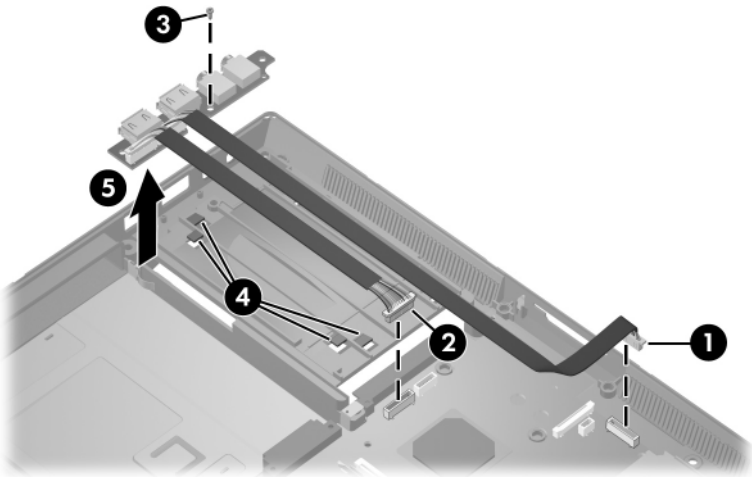
1. Prepare the notebook for disassembly ([Section 5.3](#)), and then remove the following components:
  - a. Memory module/Mini PCI compartment cover ([Section 5.6](#))
  - b. Optical drive ([Section 5.8](#))
  - c. Keyboard ([Section 5.9](#))
  - d. Switch cover ([Section 5.10](#))
  - e. Display assembly ([Section 5.18](#))
  - f. Top cover ([Section 5.19](#))

2. Position the notebook with the rear panel toward you.
3. Disconnect the USB cable **1** and audio cable **2** from the system board.



The USB cable is present only on full-featured models.

4. Remove the PM1.5×3.0 screw **3** that secures the USB/audio board and shield to the base enclosure.
5. Remove the cables from the clips **4** in the base enclosure.
6. Remove the USB/audio board **5**.



#### *Removing the USB/Audio Board*

Reverse the above procedure to install the USB/audio board.

## 5.23 System Board

---

### System Board Spare Part Number Information

---

For use with full-featured models	378225-001
For use with defeatured models-GML	378238-001
For use with defeatured models-GM	383219-001

---



When replacing the system board, ensure that the following components are removed from the defective system board and installed on the replacement system board:

- Memory modules ([Section 5.6](#) and [Section 5.16](#))
  - Mini PCI communications card ([Section 5.7](#))
  - Processor ([Section 5.14](#))
  - Modem board ([Section 5.15](#))
- 

1. Prepare the notebook for disassembly ([Section 5.3](#)), and then remove the following components:
  - a. Bluetooth board ([Section 5.5](#))
  - b. Optical drive ([Section 5.8](#))
  - c. Keyboard ([Section 5.9](#))
  - d. Switch cover ([Section 5.10](#))
  - e. Fan ([Section 5.12](#))
  - f. Heat sink ([Section 5.13](#))
  - g. RTC battery ([Section 5.17](#))
  - h. Display assembly ([Section 5.18](#))
  - i. Top cover ([Section 5.19](#))
  - j. Speaker ([Section 5.20](#))
  - k. Digital media board ([Section 5.21](#))
  - l. USB/audio board ([Section 5.22](#))



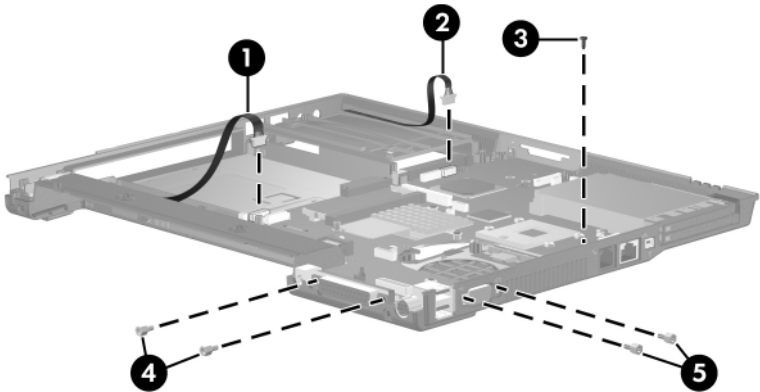
2. Turn the notebook upside down with the rear panel toward you.
3. Disconnect the fan cable from the system board through the memory module compartment.
4. Disconnect the serial connector cable ❶ and the Bluetooth cable ❷ from the system board.
5. Remove the T8M2.0×4.0 screw ❸ that secures the system board to the base enclosure next to the RJ-11 connector.



Step 6 applies only to full-featured models.

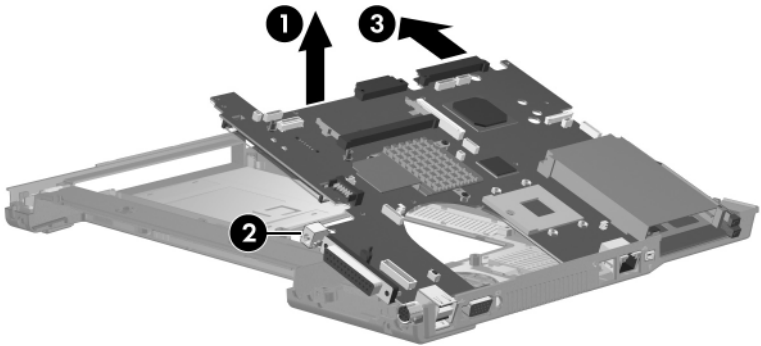
---

6. Remove the 2 HM5.0×9.0 screw locks on each side of the parallel connector ❹.
7. Remove the 2 HM5.0×9.0 screw locks on each side of the external monitor connectors ❺.



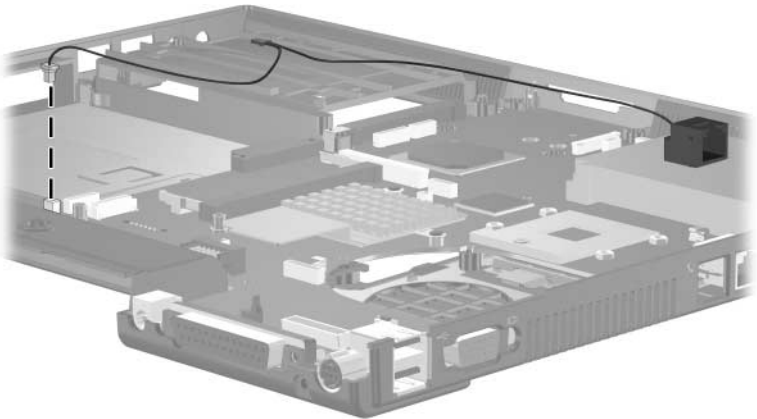
*Removing the System Board Screws and Screw Locks*

8. Use the optical drive connector to lift the system board up **1** until the power connector **2** is clear of the base enclosure.
9. Slide the system board to the left **3** at an angle and remove it.



#### *Removing the System Board*

10. If necessary, disconnect the RJ-11 connector module cable from the system board and remove the RJ-11 connector module and cable.



#### *Removing the RJ-11 Connector Module and Cable*

Reverse the above procedures to install the system board.

## 5.24 Serial Connector Module



This section applies only to full-featured models.

---

### Serial Connector Module Spare Part Number Information

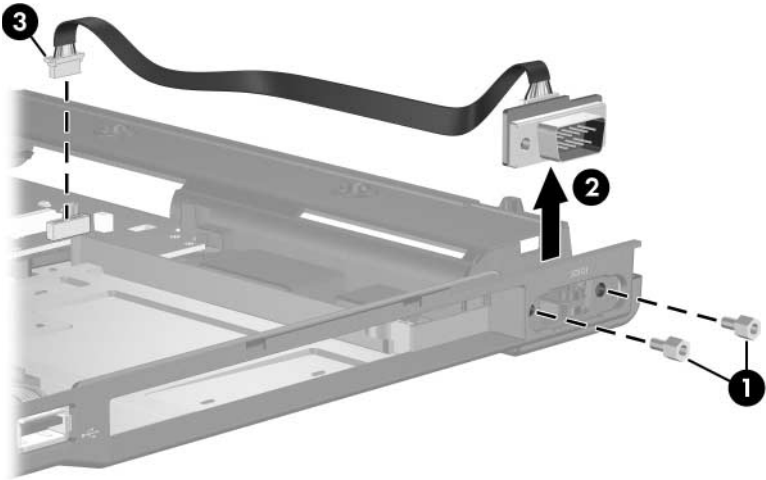
---

Serial connector module (includes serial connector module cable)	378227-001
--	------------

---

1. Prepare the notebook for disassembly ([Section 5.3](#)), and then remove the following components:
  - a. Bluetooth board ([Section 5.5](#))
  - b. Optical drive ([Section 5.8](#))
  - c. Keyboard ([Section 5.9](#))
  - d. Switch cover ([Section 5.10](#))
  - e. Fan ([Section 5.12](#))
  - f. Heat sink ([Section 5.13](#))
  - g. Modem board ([Section 5.15](#))
  - h. Display assembly ([Section 5.18](#))
  - i. Top cover ([Section 5.19](#))
  - j. Speaker ([Section 5.20](#))
  - k. Digital media board ([Section 5.21](#))
  - l. USB/audio board ([Section 5.22](#))
  - m. System board ([Section 5.23](#))
2. Turn the base enclosure upside down with the rear panel toward you.

3. Remove the 2 HM5.0×9.0 screw locks ❶ on each side of the serial connector.
4. Lift the serial connector module and cable out of the base enclosure ❷.
5. Disconnect the serial connector module cable from the system board ❸.



*Removing the Serial Connector Module*

---

## Specifications

This chapter provides physical and performance specifications.

---

**Table 6-1**  
**Notebook**

<b>Dimensions</b>	<b>Metric</b>	<b>U.S.</b>
Height	32.8 cm	12.91
Width	26.7 cm	10.51
Depth	3.1 cm	1.22
<b>Weight</b>		
Full-featured model with 15.0-inch display, optical drive, and 6-cell battery pack	2.86 kg	6.31 lbs
Defeatured model with 14.1-inch display, optical drive, and 6-cell battery pack	2.72 kg	5.99 lbs
<b>Input Power</b>		
Operating voltage	18.5 V dc @ 3.5 A - 65 W	
Operating current	3.5 A	
<b>Temperature</b>		
Operating (not writing to optical disc)	0°C to 35°C	32°F to 95°F
Operating (writing to optical disc)	5°C to 35°C	41°F to 95°F
Nonoperating	-20°C to 60°C	-4°F to 140°F

---

**Table 6-1**  
**Notebook (Continued)**

---

**Relative humidity** (noncondensing)

Operating	10% to 90%	10% to 90%
Nonoperating	5% to 95%	5% to 95%

---

**Maximum altitude** (unpressurized)

Operating (14.7 to 10.1 psia)	-15 m to 3,048 m	-50 ft to 10,000 ft
Nonoperating (14.7 to 4.4 psia)	-15 m to 12,192 m	-50 ft to 40,000 ft

---

**Shock**

Operating	125 g, 2 ms, half-sine
Nonoperating	200 g, 2 ms, half-sine

---

**Random Vibration**

Operating	0.75 g zero-to-peak, 10 Hz to 500 Hz, 0.25 oct/min sweep rate
Nonoperating	1.50 g zero-to-peak, 10 Hz to 500 Hz, 0.5 oct/min sweep rate



Applicable product safety standards specify thermal limits for plastic surfaces. The notebook operates well within this range of temperatures.

---

**Table 6-2**  
**15.0-inch, SXGA+WVA, TFT Display**

<b>Dimensions</b>		
Height	30.0 cm	11.8 in
Width	22.9 cm	9.0 in
Diagonal	38.1 cm	15.0 in
<b>Number of colors</b>		Up to 16.8 million
<b>Contrast ratio</b>		250:1
<b>Brightness</b>		150 nits typical
<b>Pixel resolution</b>		
Pitch	0.264 × 0.264 mm	
Format	1400 × 1050	
Configuration	RGB vertical stripe	
<b>Backlight</b>		Edge lit
<b>Character display</b>		80 × 25
<b>Total power consumption</b>		5.5 W
<b>Viewing angle</b>		+/-35° horizontal, +15/-35° vertical typical

**Table 6-3**  
**15.0-inch, XGA, TFT Display**

<b>Dimensions</b>		
Height	30.0 cm	11.8 in
Width	22.9 cm	9.0 in
Diagonal	38.1 cm	15.0 in
<b>Number of colors</b>	Up to 16.8 million	
<b>Contrast ratio</b>	250:1	
<b>Brightness</b>	150 nits typical	
<b>Pixel resolution</b>		
Pitch	0.264 × 0.264 mm	
Format	1024 × 768	
Configuration	RGB vertical stripe	
<b>Backlight</b>	Edge lit	
<b>Character display</b>	80 × 25	
<b>Total power consumption</b>	5.5 W	
<b>Viewing angle</b>	+/-35° horizontal, +15/-35° vertical typical	



**Table 6-4**  
**14.1-inch, XGA, TFT Display**

<b>Dimensions</b>		
Height	28.5 cm	11.2 in
Width	21.3 cm	8.4 in
Diagonal	35.8 cm	14.1 in
<b>Number of colors</b>	Up to 16.8 million	
<b>Contrast ratio</b>	250:1	
<b>Brightness</b>	180 nits typical	
<b>Pixel resolution</b>		
Pitch	0.279 × 0.279 mm	
Format	1024 × 768	
Configuration	RGB vertical stripe	
<b>Backlight</b>	Edge lit	
<b>Character display</b>	80 × 25	
<b>Total power consumption</b>	4.0 W	
<b>Viewing angle</b>	+/-40° horizontal, +20/-40° vertical typical	

**Table 6-5**  
**Hard Drives**

	80-GB*	60-GB*	60-GB*
<b>Dimensions</b>			
Height	9.5 mm	9.5 mm	9.5 mm
Width	70 mm	70 mm	70 mm
Weight	99 g	99 g	102 g
<b>Interface type</b>	ATA-5	ATA-5	ATA-5
<b>Transfer rate</b>			
Synchronous (maximum)	100 MB/sec	100 MB/sec	100 MB/sec
Security	ATA security	ATA security	ATA security
<b>Seek times</b> (typical read, including setting)			
Single track	3 ms	3 ms	3 ms
Average	13 ms	13 ms	13 ms
Maximum	24 ms	24 ms	24 ms
<b>Logical blocks</b> <sup>†</sup>	156,301,488	156,301,488	117,210,240
<b>Disc rotational speed</b>	4200 rpm	4200 rpm	5400 rpm
<b>Operating temperature</b>	5°C to 55°C (41°F to 131°F)		



Certain restrictions and exclusions apply. Consult Customer Care for details.

\*1 GB = 1 billion bytes when referring to hard drive storage capacity. Actual accessible capacity is less.

<sup>†</sup>Actual drive specifications may differ slightly.

**Table 6-5**  
**Hard Drives (Continued)**

	60-GB*	40-GB*	30-GB*
<b>Dimensions</b>			
Height	9.5 mm	9.5 mm	9.5 mm
Width	70 mm	70 mm	70 mm
Weight	102 g	99 g	99 g
<b>Interface type</b>	ATA-5	ATA-5	ATA-5
<b>Transfer rate</b>			
Synchronous (maximum)	100 MB/sec	100 MB/sec	100 MB/sec
Security	ATA security	ATA security	ATA security
<b>Seek times (typical read, including setting)</b>			
Single track	3 ms	3 ms	2.5 ms
Average	13 ms	13 ms	12 ms
Maximum	24 ms	24 ms	23 ms
<b>Logical blocks<sup>†</sup></b>	117,210,240	78,140,160	58,605,120
<b>Disc rotational speed</b>	4200 rpm	4200 rpm	4200 rpm
<b>Operating temperature</b>	5°C to 55°C (41°F to 131°F)		



Certain restrictions and exclusions apply. Consult Customer Care for details.

\*1 GB = 1 billion bytes when referring to hard drive storage capacity. Actual accessible capacity is less.

<sup>†</sup>Actual drive specifications may differ slightly.

---

**Table 6-6**  
**Primary 6-cell, Li-Ion Battery Pack**

---

**Dimensions**

Height	2.00 cm	0.79 in
Width	9.40 cm	3.70 in
Depth	13.40 cm	5.28 in
Weight	0.34 kg	0.75 lb

---

**Energy**

Voltage	11.1 V
Amp-hour capacity	4.4 Ah
Watt-hour capacity	48 Wh

---

**Temperature**

Operating	5°C to 45°C	41°F to 113°F
Nonoperating	0°C to 60°C	32°F to 140°F

---

**Table 6-7**  
**DVD-ROM Drive**

<b>Applicable disc</b>	DVD-ROM (DVD-5, DVD-9, DVD-10, DVD-18) CD-ROM (Mode 1 and 2) CD Digital Audio CD-XA ready (Mode 2, Form 1 and 2) CD-I ready (Mode 2, Form 1 and 2) CD-R CD-RW Photo CD (single and multisession) CD-Bridge	
<b>Center hole diameter</b>	1.5 cm (0.59 in)	
<b>Disc diameter</b>		
Standard disc	12 cm (4.72 in)	
Mini disc	8 cm (3.15 in)	
<b>Disc thickness</b>	1.2 mm (0.047 in)	
<b>Track pitch</b>	0.74 $\mu$ m	
<b>Access time</b>	CD	DVD
Random	< 100 ms	< 125 ms
Full stroke	< 175 ms	< 225 ms
<b>Audio output level</b>	Line-out, 0.7 Vrms	
<b>Cache buffer</b>	512 KB	
<b>Data transfer rate</b>		
CD-R (24X)	3600 KB/s (150 KB/s at 1X CD rate)	
CD-RW (10X)	1500 KB/s (150 KB/s at 1X CD rate)	
CD-ROM (24X)	3600 KB/s (150 KB/s at 1X CD rate)	
DVD (8X)	10,800 KB/s (1,352 KB/s at 1X DVD rate)	
Multiword DMA mode 2	16.6 MB/s	
<b>Startup time</b>	< 10 seconds	
<b>Stop time</b>	< 3 seconds	

**Table 6-8**  
**DVD/CD-RW Combo Drive**

<b>Applicable disc</b>	<b>Read:</b>	<b>Write:</b>
	DVD-R, DVD-RW, DVD-ROM (DVD-5, DVD-9, DVD-10, DVD-18), CD-ROM (Mode 1 and 2) CD Digital Audio CD-XA ready (Mode 2, Form 1 and 2) CD-I ready (Mode 2, Form 1 and 2) CD-R, CD-RW Photo CD (single and multisession) CD-Bridge	CD-R and CD-RW
<b>Center hole diameter</b>	1.5 cm (0.59 in)	
<b>Disc diameter</b>		
Standard disc	12 cm (4.72 in)	
Mini disc	8 cm (3.15 in)	

**Table 6-8**  
**DVD/CD-RW Combo Drive (Continued)**

<b>Disc thickness</b>	1.2 mm (0.047 in)	
<b>Track pitch</b>	0.74 $\mu$ m	
<b>Access time</b>	CD media	DVD media
Random	< 110 ms	< 130 ms
Full stroke	< 210 ms	< 225 ms
<b>Audio output level</b>	Line-out, 0.7 V rms	
<b>Cache buffer</b>	2 MB	
<b>Data transfer rate</b>		
CD-R (24X)	3600 KB/s (150 KB/s at 1X CD rate)	
CD-RW (10X)	1500 KB/s (150 KB/s at 1X CD rate)	
CD-ROM (24X)	3600 KB/s (150 KB/s at 1X CD rate)	
DVD (8X)	10,800 KB/s (1352 KB/s at 1X DVD rate)	
Multiword DMA mode 2	16.6 MB/s	
<b>Startup time</b>	< 15 seconds	
<b>Stop time</b>	< 6 seconds	

**Table 6-9**  
**DVD±RW and CD-RW Combo Drive**

<b>Applicable disc</b>	<b>Read:</b>	<b>Write:</b>
	DVD-R, DVD-RW, DVD-ROM (DVD-5, DVD-9, DVD-10, DVD-18), CD-ROM (Mode 1 and 2) CD Digital Audio CD-XA ready (Mode 2, Form 1 and 2) CD-I ready (Mode 2, Form 1 and 2) CD-R, CD-RW Photo CD (single and multisession) CD-Bridge	CD-R and CD-RW DVD-R and DVD-RW
<b>Center hole diameter</b>	1.5 cm (0.59 in)	
<b>Disc diameter</b>		
Standard disc	12 cm (4.72 in)	
Mini disc	8 cm (3.15 in)	



**Table 6-9**  
**DVD±RW and CD-RW Combo Drive (*Continued*)**

<b>Disc thickness</b>	1.2 mm (0.047 in)	
<b>Track pitch</b>	0.74 μm	
<b>Access time</b>	CD	DVD
Random	< 175 ms	< 230 ms
Full stroke	< 285 ms	< 335 ms
<b>Audio output level</b>	Audio-out, 0.7 Vrms	
<b>Cache buffer</b>	2 MB	
<b>Data transfer rate</b>		
CD-R (16X)	2,400 KB/s (150 KB/s at 1X CD rate)	
CD-RW (8X)	1,200 KB/s (150 KB/s at 1X CD rate)	
CD-ROM (24X)	3,600 KB/s (150 KB/s at 1X CD rate)	
DVD (8X)	10,800 KB/s (1,352 KB/s at 1X DVD rate)	
DVD-R (4X)	5,400 KB/s (1,352 KB/s at 1X DVD rate)	
DVD-RW (2X)	2,700 KB/s (1,352 KB/s at 1X DVD rate)	
Multiword DMA mode 2	16.6 MB/s	
<b>Startup time</b>	< 15 seconds	
<b>Stop time</b>	< 6 seconds	

---

**Table 6-10**  
**CD-ROM Drive**

---

<b>Applicable disc</b>	CD-ROM (Mode 1 and 2) CD Digital Audio CD-XA ready (Mode 2, Form 1 and 2) CD-I ready (Mode 2, Form 1 and 2) CD-R CD-RW Photo CD (single and multisession) CD-Bridge
<b>Center hole diameter</b>	1.5 cm (0.59 in)
<b>Disc diameter</b>	
Standard disc	12 cm (4.72 in)
Mini disc	8 cm (3.15 in)
<b>Disc thickness</b>	1.2 mm (0.047 in)

---

**Table 6-10**  
**CD-ROM Drive (Continued)**

<b>Track pitch</b>	1.6 $\mu$ m	
<b>Access time</b>	CD media	DVD media
Random	< 110 ms	< 125 ms
Full stroke	< 220 ms	< 225 ms
<b>Audio output level</b>	Line-out, 0.7 Vrms	
<b>Cache buffer</b>	128 KB/s	
<b>Data transfer rate</b>		
CD-R (24X)	3600 KB/s (150 KB/s at 1X CD rate)	
Multiword DMA mode 2	16.6 MB/s	
<b>Startup time</b>	< 8 seconds	
<b>Stop time</b>	< 4 seconds	

---

**Table 6-11**  
**System DMA**

<b>Hardware DMA</b>	<b>System Function</b>
DMA0	Not applicable
DMA1*	Not applicable
DMA2*	Not applicable
DMA3	Not applicable
DMA4	Direct memory access controller
DMA5*	Available for PC Card
DMA6	Not assigned
DMA7	Not assigned

---

\*PC Card controller can use DMA 1, 2, or 5.

---

**Table 6-12**  
**System Interrupts**

<b>Hardware IRQ</b>	<b>System Function</b>
IRQ0	System timer
IRQ1	Standard 101-/102-Key or Microsoft Natural Keyboard
IRQ2	Cascaded
IRQ3	Intel 82801DB/DBM USB2 Enhanced Host Controller—24CD
IRQ4	COM1
IRQ5*	Conexant AC—Link Audio Intel 82801DB/DBM SMBus Controller—24C3 Data Fax Modem with SmartCP
IRQ6	Diskette drive
IRQ7*	Parallel port
IRQ8	System CMOS/real time clock
IRQ9*	Microsoft ACPI-compliant system
IRQ10*	Intel USB UHCI controller—24C2 Intel 82852/82855 GM/GME Graphic Controller Realtek RTL8139 Family PCI fast Ethernet Controller

**Table 6-12**  
**System Interrupts (Continued)**

IRQ11	Intel USB EHCI controller—24CD Intel USB UHCI controller—24C4 Intel USB UHCI controller—24C7 Intel Pro/Wireless 2200BG TI OHCI 1394 host controller TI PCI1410 CardBus controller
IRQ12	Synaptics PS/2 touch pad
IRQ13	Numeric data processor
IRQ14	Primary IDE channel
IRQ15	Secondary IDE channel

\*Default configuration; audio possible configurations are IRQ5, IRQ7, IRQ9, IRQ10, or none.



PC Cards may assert IRQ3, IRQ4, IRQ5, IRQ7, IRQ9, IRQ10, IRQ11, or IRQ15. Either the infrared or the serial port may assert IRQ3 or IRQ4.

**Table 6-13**  
**System I/O Addresses**

<b>I/O Address (hex)</b>	<b>System Function (shipping configuration)</b>
000 - 00F	DMA controller no. 1
010 - 01F	Unused
020 - 021	Interrupt controller no. 1
022 - 024	Opti chipset configuration registers
025 - 03F	Unused
02E - 02F	87334 "Super I/O" configuration for CPU
040 - 05F	Counter/timer registers
044 - 05F	Unused
060	Keyboard controller
061	Port B
062 - 063	Unused
064	Keyboard controller
065 - 06F	Unused
070 - 071	NMI enable/RTC
072 - 07F	Unused
080 - 08F	DMA page registers
090 - 091	Unused
092	Port A
093 - 09F	Unused
0A0 - 0A1	Interrupt controller no. 2

**Table 6-13**  
**System I/O Addresses (*Continued*)**

<b>I/O Address (hex)</b>	<b>System Function (shipping configuration)</b>
0A2 - 0BF	Unused
0C0 - 0DF	DMA controller no. 2
0E0 - 0EF	Unused
0F0 - 0F1	Coprocessor busy clear/reset
0F2 - 0FF	Unused
100 - 16F	Unused
170 - 177	Secondary fixed disk controller
178 - 1EF	Unused
1F0 - 1F7	Primary fixed disk controller
1F8 - 200	Unused
201	Joystick (decoded in ESS1688)
202 - 21F	Unused
220 - 22F	Entertainment audio
230 - 26D	Unused
26E - 26	Unused
278 - 27F	Unused
280 - 2AB	Unused
2A0 - 2A7	Unused
2A8 - 2E7	Unused
2E8 - 2EF	Reserved serial port



**Table 6-13**  
**System I/O Addresses (Continued)**

<b>I/O Address (hex)</b>	<b>System Function (shipping configuration)</b>
2F0 - 2F7	Unused
2F8 - 2FF	Infrared port
300 - 31F	Unused
320 - 36F	Unused
370 - 377	Secondary diskette drive controller
378 - 37F	Parallel port (LPT1/default)
380 - 387	Unused
388 - 38B	FM synthesizer—OPL3
38C - 3AF	Unused
3B0 - 3BB	VGA
3BC - 3BF	Reserved (parallel port/no EPP support)
3C0 - 3DF	VGA
3E0 - 3E1	PC Card controller in CPU
3E2 - 3E3	Unused
3E8 - 3EF	Internal modem
3F0 - 3F7	“A” diskette controller
3F8 - 3FF	Serial port (COM1/default)
CF8 - CFB	PCI configuration index register (PCIDIVO-1)
CFC - CFF	PCI configuration data register (PCIDIVO-1)

---

**Table 6-14**  
**System Memory Map**

<b>Size</b>	<b>Memory Address</b>	<b>System Function</b>
640 KB	00000000-0009FFFF	Base memory
128 KB	000A0000-000BFFFF	Video memory
48 KB	000C0000-000CBFFF	Video BIOS
160 KB	000C8000-000E7FFF	Unused
64 KB	000E8000-000FFFFF	System BIOS
15 MB	00100000-00FFFFFF	Extended memory
58 MB	01000000-047FFFFF	Super extended memory
58 MB	04800000-07FFFFFF	Unused
2 MB	08000000-080FFFFF	Video memory (direct access)
4 GB	08200000-FFFEFFFF	Unused
64 KB	FFFF0000-FFFFFFFF	System BIOS

---

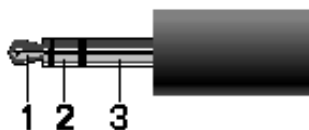
# A

---

## Connector Pin Assignments

---

**Table A-1**  
**Audio-Out (Headphone)**

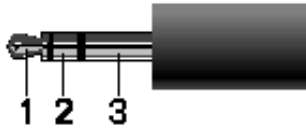


---

<b>Pin</b>	<b>Signal</b>	<b>Pin</b>	<b>Signal</b>
1	Audio out, left channel	3	Ground
2	Audio out, right channel		

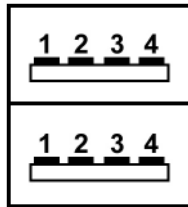
---

**Table A-2**  
**Audio-In (Microphone)**



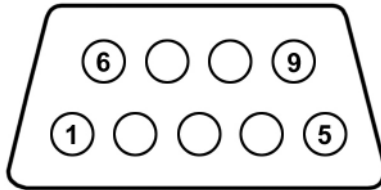
Pin	Signal	Pin	Signal
1	Audio signal in	3	Ground
2	Audio signal in		

**Table A-3**  
**Universal Serial Bus**



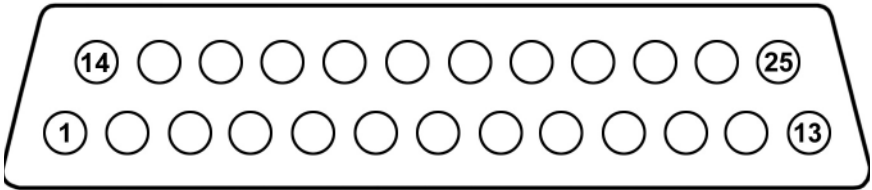
Pin	Signal	Pin	Signal
1	+5 VDC	3	Data +
2	Data -	4	Ground

**Table A-4**  
**Serial**



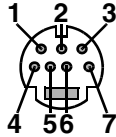
<b>Pin</b>	<b>Signal</b>	<b>Pin</b>	<b>Signal</b>
1	Carrier detect	6	Data set ready
2	Receive data	7	Ready to send
3	Transmit data	8	Clear to send
4	Data terminal ready	9	Ring indicator
5	Ground		

**Table A-5**  
**Parallel Port**



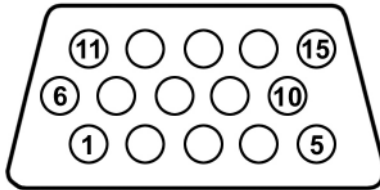
Pin	Signal	Pin	Signal
1	Strobe	14	Auto linefeed
2	Data bit 0	15	Error
3	Data bit 1	16	Initialize printer
4	Data bit 2	17	Select in
5	Data bit 3	18	Ground
6	Data bit 4	19	Ground
7	Data bit 5	20	Ground
8	Data bit 6	21	Ground
9	Data bit 7	22	Ground
10	Acknowledge	23	Ground
11	Busy	24	Ground
12	Paper end	25	Ground
13	Select		Ground

**Table A-6**  
**S-Video-Out**



Pin	Signal	Pin	Signal
1	S-VHS color (C) signal	5	TV-CD
2	Composite video signal	6	S-VHS intensity ground
3	S-VHS intensity (Y) signal	7	Composite video ground
4	S-VHS color ground		

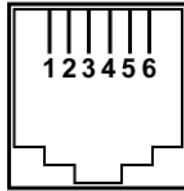
**Table A-7**  
**External Monitor**



Pin	Signal	Pin	Signal
1	Red analog	9	+5 VDC
2	Green analog	10	Ground
3	Blue analog	11	Monitor detect
4	Not connected	12	DDC 2B data
5	Ground	13	Horizontal sync
6	Ground analog	14	Vertical sync
7	Ground analog	15	DDC 2B clock
8	Ground analog		

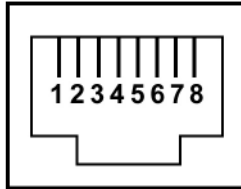


**Table A-8**  
**RJ-11 (Modem)**



<b>Pin</b>	<b>Signal</b>	<b>Pin</b>	<b>Signal</b>
1	Unused	4	Unused
2	Tip	5	Unused
3	Ring	6	Unused

**Table A-9**  
**RJ-45 (Network)**



<b>Pin</b>	<b>Signal</b>	<b>Pin</b>	<b>Signal</b>
1	Transmit +	5	Unused
2	Transmit –	6	Receive –
3	Receive +	7	Unused
4	Unused	8	Unused

---

## Power Cord Set Requirements

### 3-Conductor Power Cord Set

The wide range input feature of the notebook permits it to operate from any line voltage from 100 to 120 or 220 to 240 volts AC.

The power cord set included with the notebook meets the requirements for use in the country where the equipment is purchased.

Power cord sets for use in other countries must meet the requirements of the country where the notebook is used.

## General Requirements

The requirements listed below are applicable to all countries.

- The length of the power cord set must be at least 1.5 m (5.0 ft) and a maximum of 2.0 m (6.5 ft).
- All power cord sets must be approved by an acceptable accredited agency responsible for evaluation in the country where the power cord set will be used.
- The power cord sets must have a minimum current capacity of 10 amps and a nominal voltage rating of 125 or 250 V AC, as required by each country's power system.
- The appliance coupler must meet the mechanical configuration of an EN 60 320/IEC 320 Standard Sheet C13 connector for mating with the appliance inlet on the back of the notebook.

## Country-Specific Requirements

### 3-Conductor Power Cord Set Requirements

Country	Accredited Agency	Applicable Note Number
Australia	EANSW	1
Austria	OVE	1
Belgium	CEBC	1
Canada	CSA	2
Denmark	DEMKO	1
Finland	FIMKO	1
France	UTE	1
Germany	VDE	1
Italy	IMQ	1
Japan	METI	3



#### NOTES:

1. The flexible cord must be <HAR> Type HO5VV-F, 3-conductor, 1.0 mm<sup>2</sup> conductor size. Power cord set fittings (appliance coupler and wall plug) must bear the certification mark of the agency responsible for evaluation in the country where it will be used.
2. The flexible cord must be Type SPT-3 or equivalent, No. 18 AWG, 3-conductor. The wall plug must be a two-pole grounding type with a NEMA 5-15P (15 A, 125 V) or NEMA 6-15P (15 A, 250 V) configuration.
3. The appliance coupler, flexible cord, and wall plug must bear a "T" mark and registration number in accordance with the Japanese Dentori Law. The flexible cord must be Type VCT or VCTF, 3-conductor, 1.00 mm<sup>2</sup> conductor size. The wall plug must be a two-pole grounding type with a Japanese Industrial Standard C8303 (7 A, 125 V) configuration.

---

### 3-Conductor Power Cord Set Requirements (*Continued*)

---

Country	Accredited Agency	Applicable Note Number
The Netherlands	KEMA	1
Norway	NEMKO	1
Sweden	SEMKO	1
Switzerland	SEV	1
United Kingdom	BSI	1
United States	UL	2

---



**NOTES:**

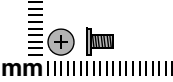
1. The flexible cord must be <HAR> Type HO5VV-F, 3-conductor, 1.0 mm<sup>2</sup> conductor size. Power cord set fittings (appliance coupler and wall plug) must bear the certification mark of the agency responsible for evaluation in the country where it will be used.
  2. The flexible cord must be Type SPT-3 or equivalent, No. 18 AWG, 3-conductor. The wall plug must be a two-pole grounding type with a NEMA 5-15P (15 A, 125 V) or NEMA 6-15P (15 A, 250 V) configuration.
  3. The appliance coupler, flexible cord, and wall plug must bear a “T” mark and registration number in accordance with the Japanese Dentori Law. The flexible cord must be Type VCT or VCTF, 3-conductor, 1.00 mm<sup>2</sup> conductor size. The wall plug must be a two-pole grounding type with a Japanese Industrial Standard C8303 (7 A, 125 V) configuration.
-

---

## Screw Listing

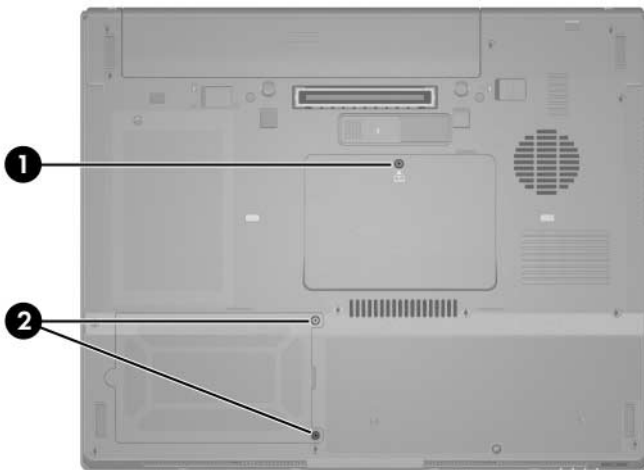
This appendix provides specification and reference information for the screws and screw locks used in the notebook. All screws and screw locks listed in this appendix are available in the Screw Kit, spare part number 378235-001.

**Table C-1**  
**Phillips PM2.0×4.0 Screw**

	Color	Qty.	Length	Thread	Head Width
	Black	3	4.0 mm	2.0 mm	4.0 mm

**Where used:**

- ❶ 2 screws that secure the hard drive cover to the notebook (screws are captured on the cover by C clips; documented in [Section 5.3](#))
- ❷ 1 screw that secures the memory module/Mini PCI compartment cover to the notebook (screw is captured on the cover by a C clip; documented in [Section 5.6](#))

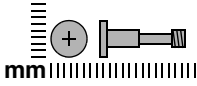


*Phillips M2.0×4.0 Screw Locations*



Table C-2

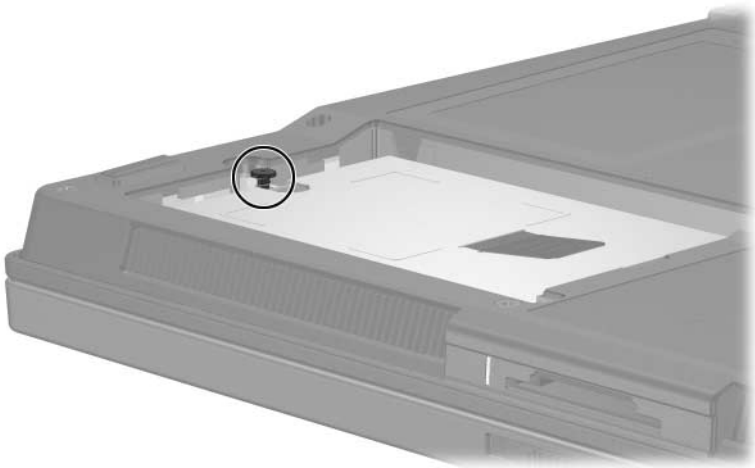
## Phillips PM2.5×13.0 Spring-loaded Hard Drive Retention Screw



Color	Qty.	Length	Thread	Head Width
Silver	1	13.0 mm	2.5 mm	5.5 mm

**Where used:**

1 screw that secures the hard drive to the notebook (screw is captured on the hard drive frame by a C clip; documented in [Section 5.3](#))



Phillips M2.5×13.0 Screw Location

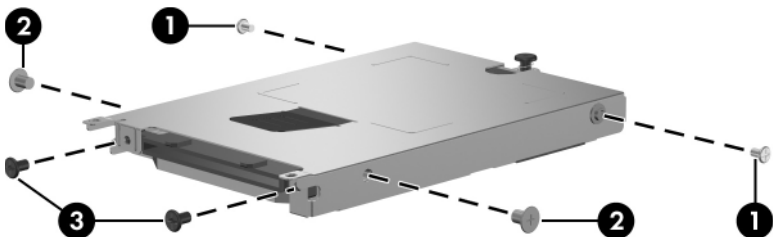
Table C-3

**Phillips PM2.5×4.0 Shoulder Screw, Phillips PM2.5×4.0 Screw,  
and Phillips 1.5×3.5 Screw**

 mm	Color	Qty.	Length	Thread	Head Width
	Silver	2	4.0 mm	2.5 mm	4.0 mm
 mm	Color	Qty.	Length	Thread	Head Width
	Silver	2	4.0 mm	2.5 mm	4.5 mm
 mm	Color	Qty.	Length	Thread	Head Width
	Black	2	3.5 mm	1.5 mm	4.5 mm

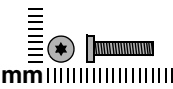
**Where used:**

- ❶ 2 screws that secure the hard drive frame to the hard drive (documented in [Section 5.3](#))
- ❷ 2 screws that secure the hard drive frame to the hard drive (documented in [Section 5.3](#))
- ❸ 2 screws that secure the hard drive frame to the hard drive (documented in [Section 5.3](#))



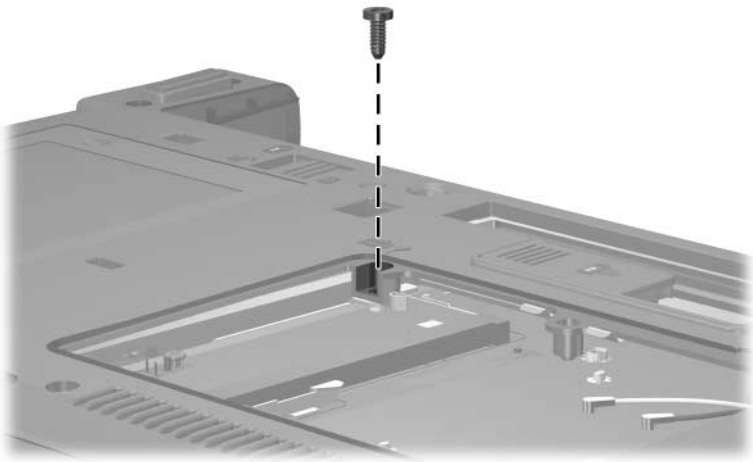
*Phillips M2.5×4.0 Shoulder Screw, Phillips PM2.5×4.0 Screw,  
and Phillips 1.5×3.5 Screw Locations*

**Table C-4**  
**Torx8 M2.0×9.0 Screw**

	Color	Qty.	Length	Thread	Head Width
	Black	24	9.0 mm	2.0 mm	4.0 mm

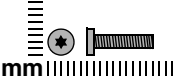
**Where used:**

1 screw that secures the optical drive to the notebook  
 (documented in [Section 5.8](#))



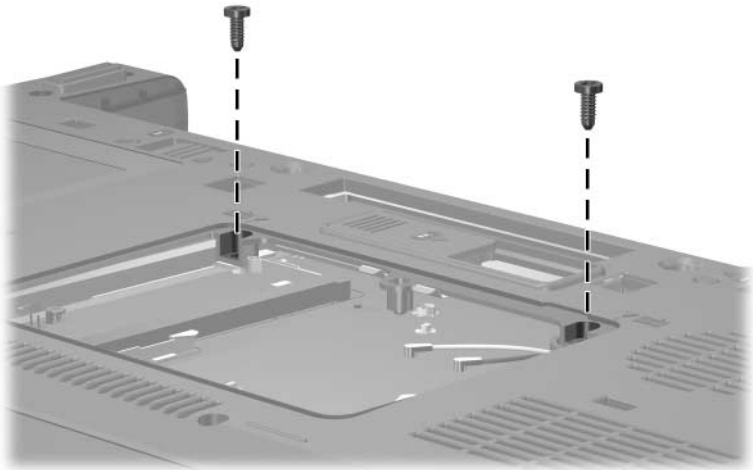
*Torx 8 M2.0×9.0 Screw Location*

**Table C-4**  
**Torx8 M2.0×9.0 Screw (Continued)**

	Color	Qty.	Length	Thread	Head Width
	Black	24	9.0 mm	2.0 mm	4.0 mm

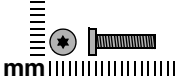
**Where used:**

2 screws that secure the keyboard to the notebook  
 (documented in [Section 5.9](#))



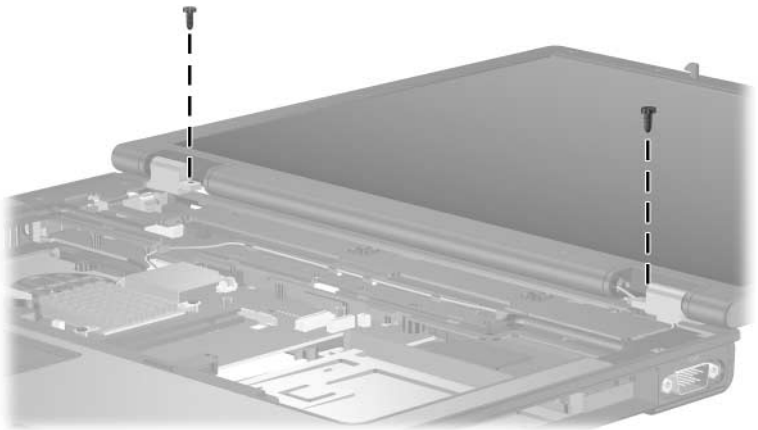
*Torx 8 M2.0×9.0 Screw Locations*

**Table C-4**  
**Torx8 M2.0×9.0 Screw (Continued)**

	Color	Qty.	Length	Thread	Head Width
	Black	24	9.0 mm	2.0 mm	4.0 mm

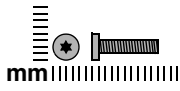
**Where used:**

2 screws that secure the display assembly to the notebook  
 (documented in [Section 5.18](#))



*Torx 8 M2.0×9.0 Screw Locations*

**Table C-4**  
**Torx8 M2.0×9.0 Screw (Continued)**



	Color	Qty.	Length	Thread	Head Width
	Black	24	9.0 mm	2.0 mm	4.0 mm

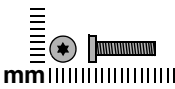
**Where used:**

4 screws that secure the display assembly to the notebook  
 (documented in [Section 5.18](#))



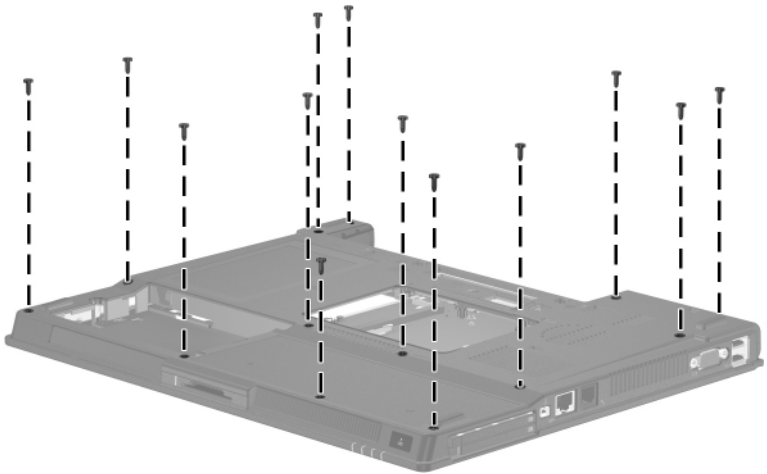
*Torx 8 M2.0×9.0 Screw Locations*

**Table C-4**  
**Torx8 M2.0×9.0 Screw (Continued)**

	Color	Qty.	Length	Thread	Head Width
	Black	24	9.0 mm	2.0 mm	4.0 mm

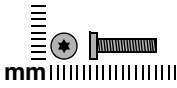
**Where used:**

13 screws that secure the top cover to the notebook  
 (documented in [Section 5.19](#))



*Torx 8 M2.0×9.0 Screw Locations*

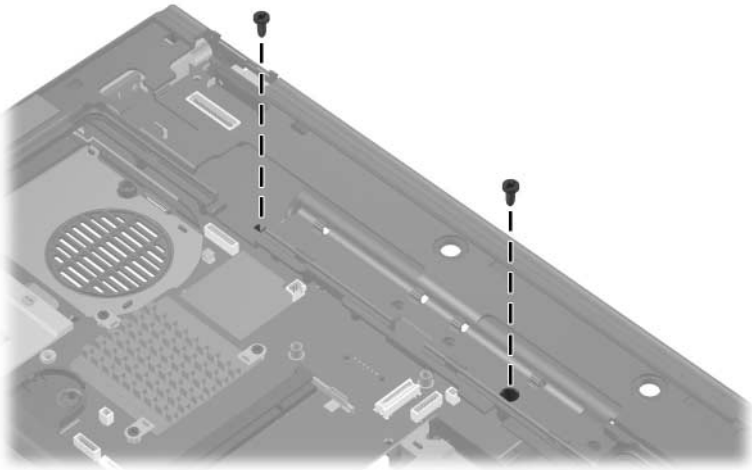
**Table C-4**  
**Torx8 M2.0×9.0 Screw (Continued)**



Color	Qty.	Length	Thread	Head Width
Black	24	9.0 mm	2.0 mm	4.0 mm

**Where used:**

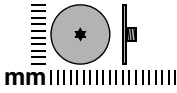
2 screws that secure the top cover to the notebook  
 (documented in [Section 5.19](#))



*Torx 8 M2.0×9.0 Screw Locations*



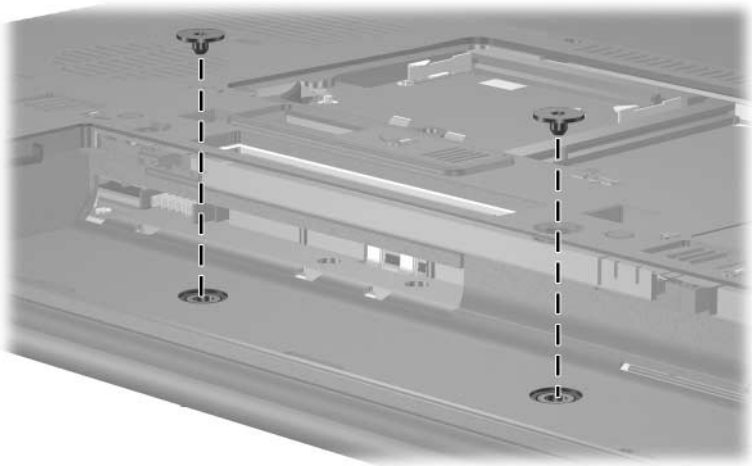
**Table C-5**  
**Torx8 M2.0x2.0 Screw**



Color	Qty.	Length	Thread	Head Width
Black	2	2.0 mm	2.0 mm	6.0 mm

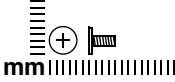
**Where used:**

2 screws that secure the switch cover to the notebook  
 (documented in [Section 5.10](#))



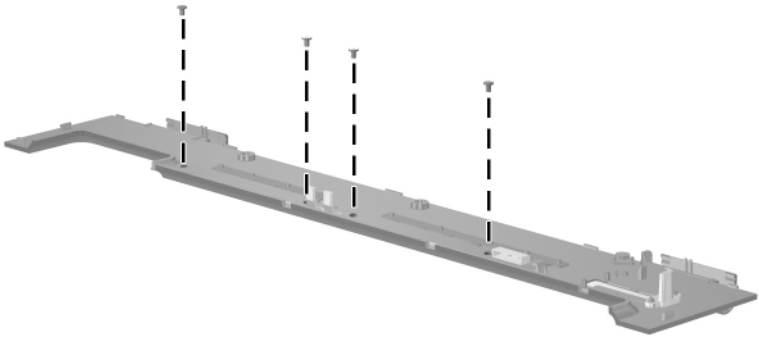
*Torx 8 M2.0x2.0 Screw Locations*

**Table C-6**  
**Phillips PM1.5x4.0 Screw**

	Color	Qty.	Length	Thread	Head Width
	Silver	4	4.0 mm	1.5 mm	4.0 mm

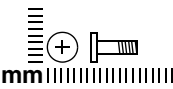
**Where used:**

4 screws that secure the LED board to the switch cover  
 (documented in [Section 5.11](#))



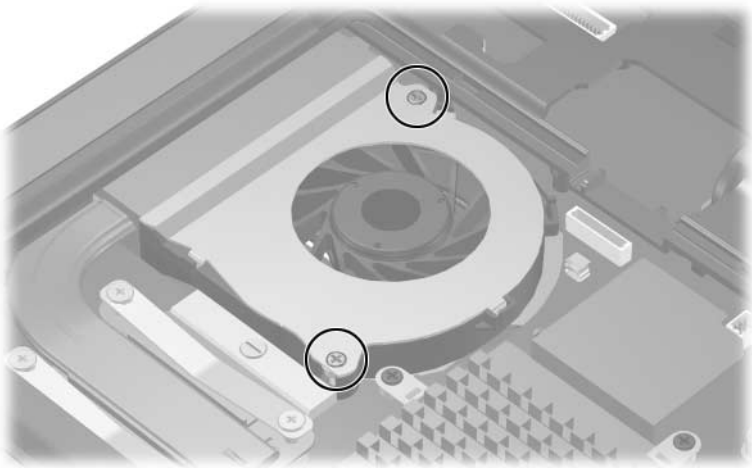
*Phillips M1.5x4.0 Screw Locations*

**Table C-7**  
**Phillips PM2.0x7.0 Screw**

	Color	Qty.	Length	Thread	Head Width
	Silver	2	7.0 mm	2.0 mm	4.5 mm

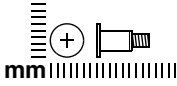
**Where used:**

2 screws that secure the fan to the notebook (screws are captured on the fan assembly by an O clip; documented in [Section 5.12](#))



*Phillips PM2.0x7.0 Screw Locations*

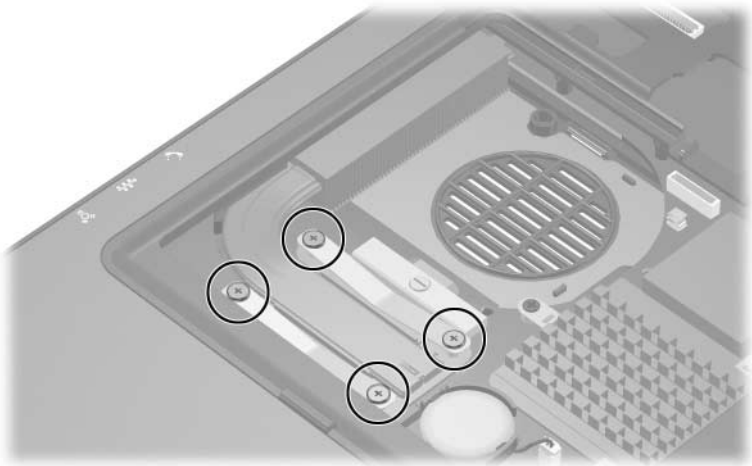
**Table C-8**  
**Phillips PM2.0×8.0 Shoulder Screw**



Color	Qty.	Length	Thread	Head Width
Silver	4	8.0 mm	2.0 mm	5.0 mm

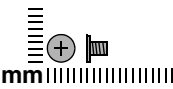
**Where used:**

4 screws that secure the heat sink to the notebook  
(screws are captured on the heat sink by C clips; documented in [Section 5.13](#))



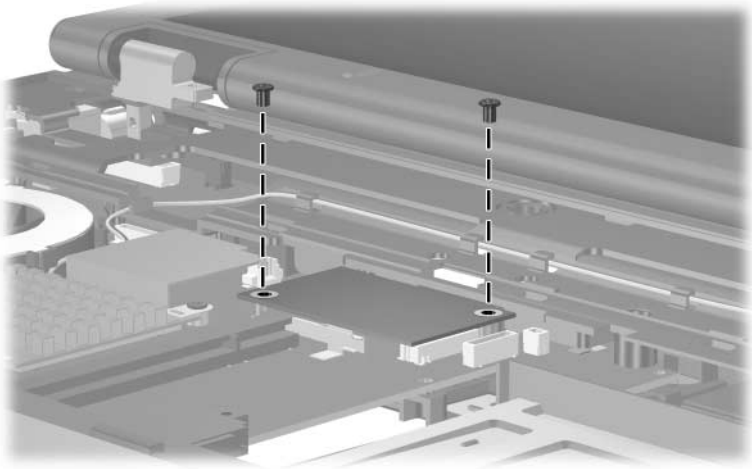
*Phillips PM2.0×8.0 Shoulder Screw Locations*

**Table C-9**  
**Phillips PM2.0×3.0 Screw**

	Color	Qty.	Length	Thread	Head Width
	Black	2	3.0 mm	2.0 mm	4.0 mm

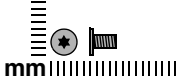
**Where used:**

2 screws that secure the modem board to the notebook  
 (documented in [Section 5.15](#))



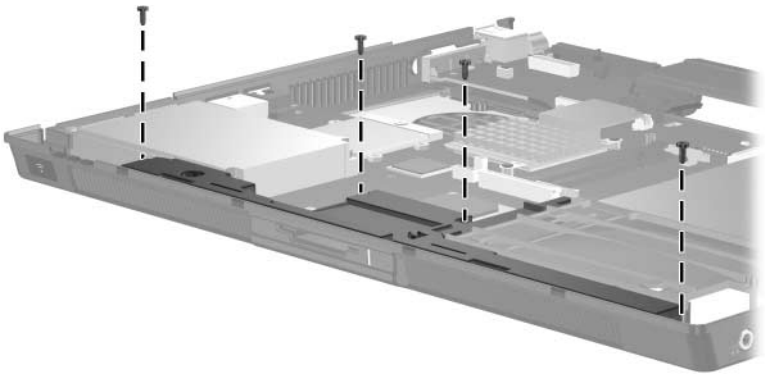
*Phillips PM2.0×3.0 Screw Locations*

**Table C-10**  
**Torx8 M2.0x4.0 Screw**

	Color	Qty.	Length	Thread	Head Width
	Black	6	4.0 mm	2.0 mm	4.0 mm

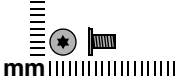
**Where used:**

4 screws that secure the speaker to the notebook (documented in [Section 5.20](#))



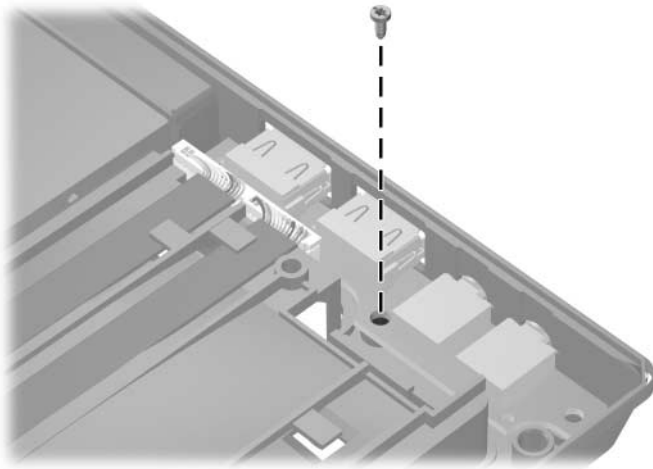
*Torx8 M2.0x4.0 Screw Locations*

**Table C-10**  
**Torx8 M2.0×4.0 Screw (Continued)**

	Color	Qty.	Length	Thread	Head Width
	Black	6	4.0 mm	2.0 mm	4.0 mm

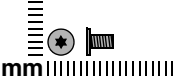
**Where used:**

1 screw that secures the USB/audio board the notebook  
 (documented in [Section 5.22](#))



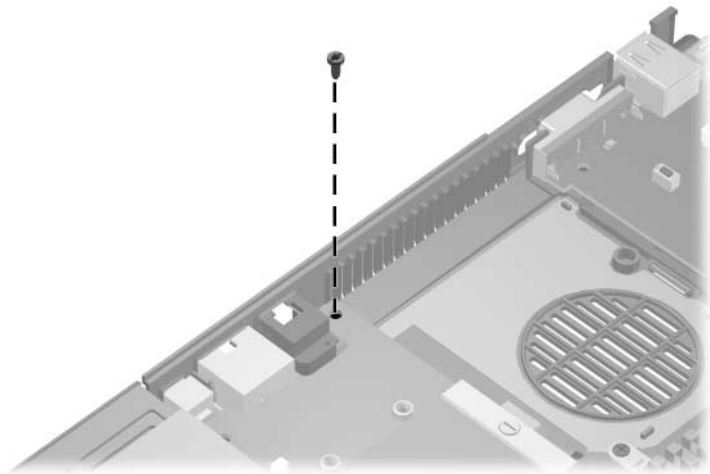
*Torx8 M2.0×4.0 Screw Location*

**Table C-10**  
**Torx8 M2.0x4.0 Screw (Continued)**

	Color	Qty.	Length	Thread	Head Width
	Black	6	4.0 mm	2.0 mm	4.0 mm

**Where used:**

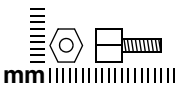
1 screw that secures the system board the notebook  
 (documented in [Section 5.23](#))



*Torx 8 M2.0x4.0 Screw Location*

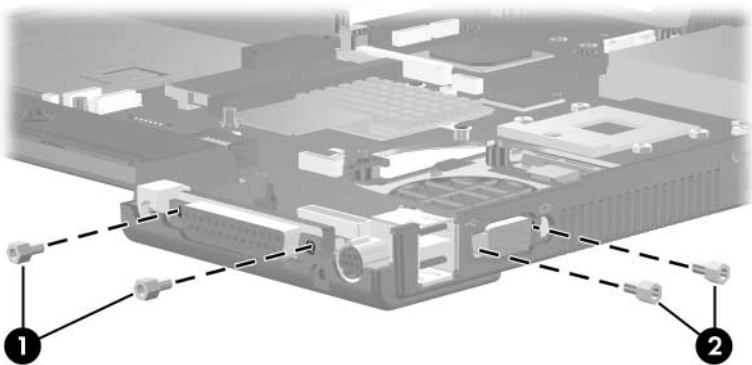


**Table C-11**  
**Hex Socket HM5.0×9.0 Screw Lock**

	Color	Qty.	Length	Thread	Head Width
	Silver	6	9.0 mm	2.5 mm	5.0 mm

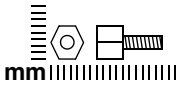
**Where used:**

- ❶ 2 screw locks that secure the system board to the notebook only on HP Compaq nc6110 and nc6120 notebook models (documented in [Section 5.23](#))
- ❷ 2 screw locks that secure the system board to the notebook (documented in [Section 5.23](#))



*Hex Socket HM5.0×9.0 Screw Lock Locations*

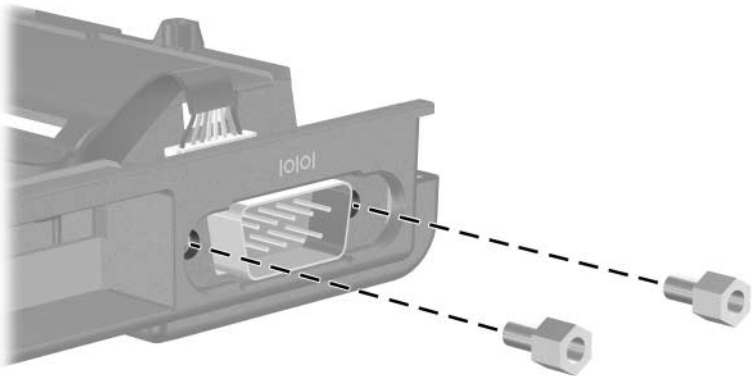
Table C-11

Hex Socket HM5.0×9.0 Screw Lock (*Continued*)

Color	Qty.	Length	Thread	Head Width
Silver	6	9.0 mm	2.5 mm	5.0 mm

**Where used:**

2 screw locks that secure the serial connector board to the system board (documented in [Section 5.24](#))



Hex Socket HM5.0×9.0 Screw Lock Locations

---

# Index

1394 port 1–11  
6-in-1 Digital Media Slot 1–7  
6-in-1 Digital Media Slot light  
1–7

## A

AC adapter, spare part  
numbers 3–15, 3–18  
arrow keys 1–15  
audio board  
removal 5–50  
spare part number 3–7,  
3–22, 5–50  
audio board cable 3–13  
audio troubleshooting 2–21  
audio-in jack  
location 1–9  
pin assignments A–2  
audio-out jack  
location 1–9  
pin assignments A–1

## B

base enclosure, spare part  
numbers 3–7, 3–21, 3–22  
battery bay 1–13, 1–20  
battery light 1–7  
battery locking latch 1–20

battery pack  
removal 5–5  
spare part numbers 3–9,  
3–19, 3–24  
specifications 6–8  
battery release latch 1–21  
Bluetooth board  
removal 5–11  
spare part number 3–11,  
3–19, 5–11

Bluetooth board cable 3–13  
bottom components 1–20

## C

cables, service considerations  
4–2  
**caps lock** key 1–15  
caps lock light 1–17  
carrying cases, spare part  
numbers 3–15, 3–18  
CD-ROM drive  
OS loading problems 2–20  
precautions 4–3  
removal 5–17  
spare part number 3–11,  
3–14, 3–23, 5–17  
specifications 6–14

- components
  - bottom 1–20
  - front 1–6
  - keyboard 1–12, 1–14
  - left-side 1–10
  - rear 1–10
  - right-side 1–8
  - top 1–16, 1–18
- Computer Setup
  - Advanced Menu 2–4
  - Main Menu 2–2
  - overview 2–1
  - Security Menu 2–3
  - Tools Menu 2–4
- connector pin assignments
  - audio-in A–2
  - audio-out A–1
  - external monitor A–6
  - headphone A–1
  - microphone A–2
  - modem A–7
  - monitor A–6
  - network A–8
  - parallel A–4
  - RJ-11 A–7
  - RJ-45 A–8
  - serial A–3
  - S-Video-out A–5
  - Universal Serial Bus (USB)
    - A–2
- connectors, service considerations 4–2

## **D**

- design overview 1–22
- digital media board
  - removal 5–48
  - spare part number 3–7, 3–21, 5–48
- disassembly sequence chart 5–3
- diskette drive
  - OS loading problems 2–19
  - precautions 4–3
- display assembly
  - removal 5–37
  - spare part numbers 3–3, 3–20, 5–37
  - specifications 6–3, 6–4, 6–5
- display lid switch 1–17
- display release button 1–6
- docking connector 1–20
- docking device,
  - troubleshooting 2–14
- docking station, spare part number 3–15, 3–20
- drives, preventing damage 4–3
- DVD/CD-RW Combo Drive
  - OS loading problems 2–20
  - precautions 4–3
  - removal 5–17
  - spare part number 3–11, 3–14, 3–19, 3–24, 5–17
  - specifications 6–10

- DVD±RW and CD-RW
  - Combo Drive
    - OS loading problems 2–20
    - precautions 4–3
    - removal 5–17
    - spare part number 3–11, 3–14, 3–24, 5–17
    - specifications 6–12
  - DVD-ROM drive
    - OS loading problems 2–20
    - precautions 4–3
    - removal 5–17
    - spare part number 3–11, 3–14, 3–19, 3–24, 5–17
    - specifications 6–9
- E**
  - electrostatic discharge 4–4, 4–8
  - exhaust vents 1–11
  - external monitor port
    - location 1–10
    - pin assignments A–6
  - External MultiBay cradle,
    - spare part number 3–15, 3–19
- F**
  - f1** to **f12** keys 1–15
  - fan
    - location 1–21
    - removal 5–28
    - spare part number 3–3, 3–21, 5–28
  - features 1–2
- feet
  - illustrated 3–12
  - locations 5–10
- flowcharts, troubleshooting
  - no audio 2–21, 2–22
  - no network/modem connection 2–26
  - no OS loading 2–15
  - no OS loading from diskette drive 2–19
  - no OS loading from hard drive 2–16, 2–17, 2–18
  - no OS loading from optical drive 2–20
  - no power 2–8, 2–10, 2–11
  - no video 2–12, 2–13
  - nonfunctioning device 2–23
  - nonfunctioning docking device 2–14
  - nonfunctioning keyboard 2–24
  - nonfunctioning pointing device 2–25
- fn** key 1–15
- front components 1–6
- G**
  - grounding equipment and methods 4–6
- H**
  - hard drive
    - OS loading problems 2–16
    - precautions 4–3
    - removal 5–7

- spare part numbers 3–11,  
3–14, 3–15, 3–20, 3–23
- specifications 6–6
- hard drive bay 1–21
- hard drive cover
  - illustrated 3–12
  - removal 5–7
- hard drive light 1–7
- headphone jack
  - location 1–9
  - pin assignments A–1
- heat sink
  - removal 5–29
  - spare part number 3–3,  
3–23, 5–29
- I**
- I/O address specifications  
6–19
- Info Center button 1–17
- infrared port 1–6
- interrupt specifications 6–17
- K**
- keyboard
  - removal 5–19
  - spare part numbers 3–3,  
3–22, 3–23, 5–19
  - troubleshooting 2–24
- keyboard components 1–12,  
1–14
- keypad keys 1–15

- L**
- LED board
  - removal 5–26
  - spare part number 3–3,  
3–21, 5–26
- LED board cable 3–13
- left-side components 1–10
- M**
- mass storage devices, spare  
part numbers 3–14
- memory map specifications  
6–22
- memory module
  - removal 5–12, 5–34
  - spare part numbers 3–5,  
3–18, 3–19, 5–12, 5–34
- memory module compartment  
1–21
- memory module/Mini PCI  
compartment cover
  - illustrated 3–12
  - removal 5–13
- microphone jack
  - location 1–9
  - pin assignments A–2
- Mini PCI communications  
card
  - removal 5–15
  - spare part numbers 3–9,  
3–19, 3–20, 3–24, 5–15
- Mini PCI compartment 1–21
- Miscellaneous Cable Kit
  - components 3–13
  - spare part number 3–13,  
3–24

- Miscellaneous Plastics Kit
    - components 3–5, 3–12
    - spare part number 3–5, 3–12, 3–22
  - Miscellaneous Plastics Kit (for use with docking station), spare part number 3–15
  - modem board
    - removal 5–33
    - spare part number 3–5, 3–24, 5–33
  - modem cable
    - illustrated 3–13
    - removal 5–54
  - modem jack
    - location 1–11
    - pin assignments A–7
  - modem, troubleshooting 2–26
  - monitor port
    - location 1–10
    - pin assignments A–6
  - MultiBay DVD/CD-RW Combo Drive, spare part number 3–15
  - MultiBay DVD-ROM Drive, spare part number 3–15
- N**
- network jack
    - location 1–11
    - pin assignments A–8
  - network, troubleshooting 2–26
  - nonfunctioning device, troubleshooting 2–14, 2–23
  - notebook feet
    - illustrated 3–12
    - locations 5–10
  - notebook specifications 6–1
  - num lock** key 1–15
  - num lock light 1–17
- O**
- optical drive
    - location 1–9
    - OS loading problems 2–20
    - precautions 4–3
    - spare part numbers 3–11, 3–15, 3–19, 3–23, 3–24
    - specifications 6–9, 6–10, 6–12, 6–14
- P**
- packing precautions 4–5
  - parallel port
    - location 1–13
    - pin assignments A–4
  - PC Card eject buttons 1–11
  - PC Card slot space saver 3–12
  - PC Card slots 1–11
  - plastic parts 4–2
  - pointing device, troubleshooting 2–25
  - power connector 1–13
  - power cord
    - set requirements B–2
    - spare part numbers 3–17, 3–18
  - power management features 1–5
  - power, troubleshooting 2–8

- power/standby button 1–16
- power/standby light 1–7
- presentation mode button 1–17
- processor
  - removal 5–31
  - spare part numbers 3–5, 3–21, 5–31

## **R**

- rear components 1–10
- removal/replacement
  - preliminaries 4–1
  - procedures 5–1
- right-side components 1–8
- RJ-11 connector module and cable
  - illustrated 3–13
  - removal 5–54
- RJ-11 jack
  - location 1–11
  - pin assignments A–7
- RJ-45 jack
  - location 1–11
  - pin assignments A–8
- RTC battery
  - illustrated 3–12
  - removal 5–36

## **S**

- Screw Kit
  - contents C–1
  - spare part number 3–16, C–1
- screw listing C–1
- security cable slot 1–13

- serial connector module
  - removal 5–55
  - spare part number 3–7, 3–21, 5–55
- serial connector module cable 3–13
- serial number 3–1, 5–2
- serial port
  - location 1–9
  - pin assignments A–3
- service considerations 4–2
- speaker
  - removal 5–45
  - spare part number 3–5, 3–22, 5–45
- speakers, location 1–6
- specifications
  - battery pack 6–8
  - CD-ROM drive 6–14
  - display 6–3, 6–4, 6–5
  - DVD/CD-RW Combo Drive 6–10
  - DVD±RW and CD-RW Combo Drive 6–12
  - DVD-ROM drive 6–9
  - hard drive 6–6
  - I/O addresses 6–19
  - interrupts 6–17
  - memory map 6–22
  - notebook 6–1
  - optical drive 6–9, 6–10, 6–12, 6–14
  - system DMA 6–16
- static shielding materials 4–8



S-Video-out jack  
location 1-13  
pin assignments A-5  
switch cover  
removal 5-24  
spare part numbers 3-3,  
3-21, 3-22, 5-24  
system board  
removal 5-52  
spare part numbers 3-7,  
3-21, 3-22, 3-24, 5-52  
system DMA 6-16  
system memory map 6-22

**T**

tools required 4-1  
top components 1-16, 1-18  
top cover  
removal 5-40  
spare part numbers 3-5,  
3-21, 3-22, 5-40  
TouchPad 1-19  
TouchPad left/right buttons  
1-19  
TouchPad scroll zone 1-19  
transporting precautions 4-5  
travel battery connector 1-21  
travel battery, spare part  
number 3-15, 3-19  
troubleshooting  
audio 2-21  
Computer Setup 2-1  
docking device 2-14  
flowcharts 2-5  
keyboard 2-24  
modem 2-26

network 2-26  
nonfunctioning device  
2-14, 2-23  
OS loading 2-15  
overview 2-1  
pointing device 2-25  
power 2-8  
video 2-12

**U**

Universal Serial Bus (USB)  
board cable 3-13  
Universal Serial Bus (USB)  
diskette drive, spare part  
number 3-15, 3-19  
Universal Serial Bus (USB)  
port  
location 1-9, 1-10  
pin assignments A-2  
USB/audio board  
removal 5-50  
spare part number 3-7,  
3-21, 5-50

**V**

video troubleshooting 2-12  
volume buttons 1-19

**W**

Windows applications key  
1-15  
Windows logo key 1-15  
wireless button 1-17  
wireless light 1-7, 1-17  
workstation precautions 4-6