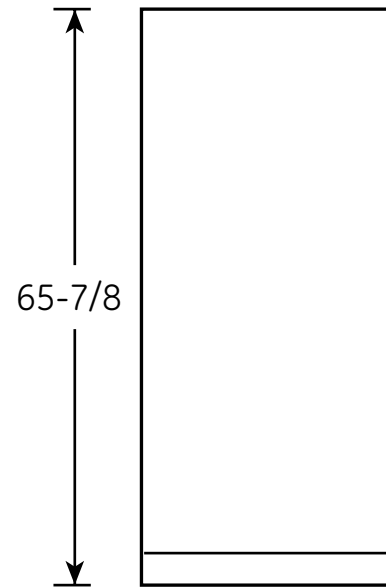


# FUF17SVR

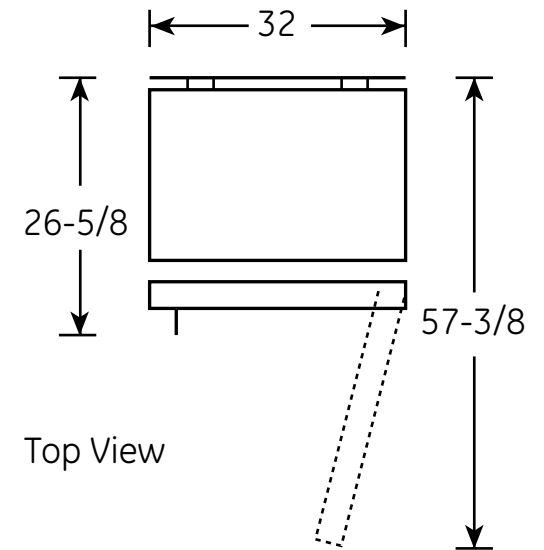
## GE® 16.7 Cu. Ft. Frost-Free Upright Freezer

### Dimensions and Installation Information (in inches)

| Air Clearance   |   |
|-----------------|---|
| Each side (in.) | 3 |
| Top (in.)       | 3 |
| Back (in.)      | 3 |



Front View



For answers to your Monogram®, GE Profile™ or GE® appliance questions, visit our website at [ge.com](http://ge.com) or call GE Answer Center® service, 800.626.2000.

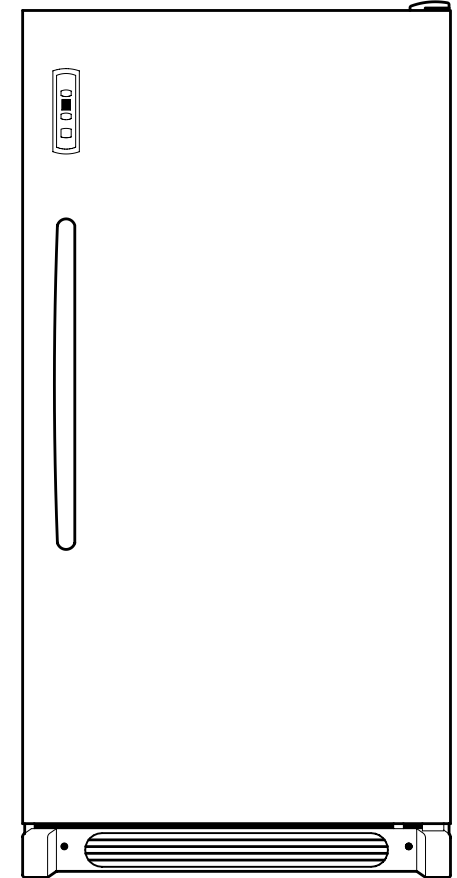


# FUF17SVR

## GE® 16.7 Cu. Ft. Frost-Free Upright Freezer

### Features and Benefits

- 16.7 cu. ft. Capacity
- Frost-Free
- High-Gloss Handle
- Electronic Temperature Control on Door
- 4 Cabinet Shelves
- 5 Freezer Door Shelves
- 1 Sliding Bulk Storage Basket
- Lock
- Interior Light
- Book-Ends Organizer (2)
- Model FUF17SVRWW – White



For answers to your Monogram®, GE Profile™ or GE® appliance questions, visit our website at [ge.com](http://ge.com) or call GE Answer Center® service, 800.626.2000.



imagination at work



Listed by  
Underwriters  
Laboratories