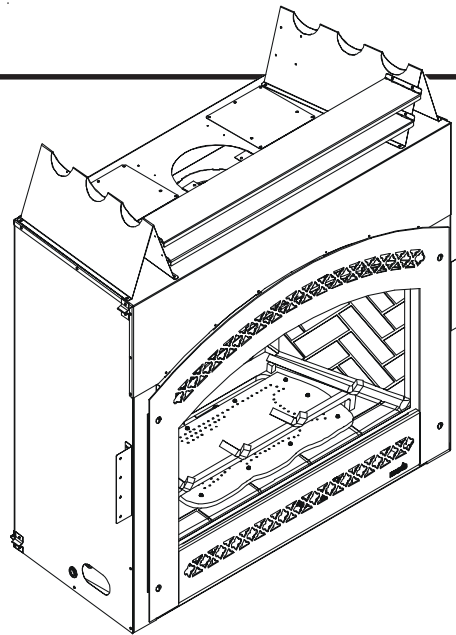




**Model:  
GEM36**



## Installers Guide



Underwriters  
Laboratories Listed

**WARNING: IF THE INFORMATION IN THESE INSTRUCTIONS IS NOT FOLLOWED EXACTLY, A FIRE OR EXPLOSION MAY RESULT CAUSING PROPERTY DAMAGE, PERSONAL INJURY, OR DEATH.**

- Do not store or use gasoline or other flammable vapors and liquids in the vicinity of this or any other appliance.
- **What to do if you smell gas**
  - Do not try to light any appliance.
  - Do not touch any electrical switch.
  - Do not use any phone in your building.
  - Immediately call your gas supplier from a neighbor's phone. Follow the gas supplier's instructions.
  - If you cannot reach your gas supplier, call the fire department.
- Installation and service must be performed by a qualified installer, service agency, or the gas supplier.

**READ THIS MANUAL BEFORE INSTALLING OR OPERATING THIS APPLIANCE. THIS *INSTALLERS GUIDE* MUST BE LEFT WITH APPLIANCE FOR FUTURE REFERENCE.**

**WARNING: IMPROPER INSTALLATION, ADJUSTMENT, ALTERATION, SERVICE OR MAINTENANCE CAN CAUSE INJURY OR PROPERTY DAMAGE. REFER TO THIS MANUAL. FOR ASSISTANCE OR ADDITIONAL INFORMATION CONSULT A QUALIFIED INSTALLER, SERVICE AGENCY, OR THE GAS SUPPLIER.**

1. This appliance may be installed in an aftermarket, permanently located, manufactured (mobile) home, where not prohibited by local codes.
2. This appliance is only for use with the type of gas indicated on the rating plate. This appliance is not convertible for use with other gases, unless a certified kit is used.

Printed in U.S.A. Copyright 2005,


Heat & Glo, a brand of Hearth & Home Technologies Inc.  
20802 Kensington Boulevard, Lakeville, MN 55044


Please contact your Heat & Glo dealer with any questions or concerns. For the number of your nearest Heat & Glo dealer, please call 1-888-427-3973.

This product may be covered by one or more of the following patents: (United States) 4593510, 4686807, 4766876, 4793322, 4811534, 5000162, 5016609, 5076254, 5113843, 5191877, 5218953, 5263471, 5328356, 5341794, 5347983, 5429495, 5452708, 5542407, 5601073, 5613487, 5647340, 5688568, 5762062, 5775408, 5890485, 5931661, 5941237, 5947112, 5996575, 6006743, 6019099, 6048195, 6053165, 6145502, 6170481, 6237588, 6296474, 6374822, 6413079, 6439226, 6484712, 6543698, 6550687, 6601579, 6672860, 6688302B2, 6715724B2, 6729551, 6736133, 6748940, 6748942, D320652, D445174, D462436; (Canada) 1297749, 2195264, 2225408; or other U.S. and foreign patents pending.


# SAFETY AND WARNING INFORMATION


 **READ** and **UNDERSTAND** all instructions carefully before starting the installation. **FAILURE TO FOLLOW** these installation instructions may result in a possible fire hazard and will void the warranty.


 Prior to the first firing of the fireplace, **READ** the Using Your Fireplace section of the *Owners Guide*.


 **DO NOT USE** this appliance if any part has been under water. Immediately **CALL** a qualified service technician to inspect the unit and to replace any part of the control system and any gas control which has been under water.


 **THIS UNIT IS NOT FOR USE WITH SOLID FUEL.**


 Installation and repair should be **PERFORMED** by a qualified service person. The appliance and venting system should be **INSPECTED** before initial use and at least annually by a professional service person. More frequent cleaning may be required due to excessive lint from carpeting, bedding material, etc. It is **IMPERATIVE** that the unit's control compartment, burners, and circulating air passageways **BE KEPT CLEAN** to provide for adequate combustion and ventilation air.


 Always **KEEP** the appliance clear and free from combustible materials, gasoline, and other flammable vapors and liquids.


 **NEVER OBSTRUCT** the flow of combustion and ventilation air. Keep the front of the appliance **CLEAR** of all obstacles and materials for servicing and proper operations.


 Due to the high temperature, the appliance should be **LOCATED** out of traffic areas and away from furniture and draperies. Clothing or flammable material **SHOULD NOT BE PLACED** on or near the appliance.


 Children and adults should be **ALERTED** to the hazards of high surface temperature and should **STAY AWAY** to avoid burns or clothing ignition. Young children should be **CAREFULLY SUPERVISED** when they are in the same room as the appliance.


 These units **MUST** use one of the vent systems described in the Installing the Fireplace section of the *Installers Guide*. **NO OTHER** vent systems or components **MAY BE USED**.


 This gas fireplace and vent assembly **MUST** be vented directly to the outside and **MUST NEVER** be attached to a chimney serving a separate solid fuel burning appliance. Each gas appliance **MUST USE** a separate vent system. Common vent systems are **PROHIBITED**.


 **INSPECT** the external vent cap on a regular basis to make sure that no debris is interfering with the air flow.


 The glass door assembly **MUST** be in place and sealed, and the trim door assembly **MUST** be in place on the fireplace before the unit can be placed into safe operation.


 **DO NOT OPERATE** this appliance with the glass door removed, cracked, or broken. Replacement of the glass door should be performed by a licensed or qualified service person. **DO NOT** strike or slam the glass door.

 The glass door assembly **SHALL ONLY** be replaced as a complete unit, as supplied by the gas fireplace manufacturer. **NO SUBSTITUTE** material may be used.

 **DO NOT USE** abrasive cleaners on the glass door assembly. **DO NOT ATTEMPT** to clean the glass door when it is hot.

 Turn off the gas before servicing this appliance. It is recommended that a qualified service technician perform an appliance check-up at the beginning of each heating season.

 Any safety screen or guard removed for servicing must be replaced before operating this appliance.

 **DO NOT** place furniture or any other combustible household objects within 36 inches of the fireplace front.

## TABLE OF CONTENTS

<b>Safety and Warning Information .....</b>	<b>2</b>
<b>Service Parts Lists .....</b>	<b>4</b>
<b>Section 1: Approvals and Codes .....</b>	<b>7</b>
Appliance Certification .....	7
Installation Codes .....	7
High Altitude Installations .....	7
<b>Section 2: Getting Started .....</b>	<b>8</b>
Introducing the Heat & Glo Gas Fireplaces .....	8
Pre-installation Preparation .....	8
<b>Section 3: Installing the Fireplace .....</b>	<b>10</b>
Constructing the Fireplace Chase .....	10
Step 1 Locating the Fireplace .....	10
Step 2 Framing the Fireplace .....	11
Step 3 Installing the Vent System .....	13
→ A. Vent System Approvals .....	13
B. Installing Vent Components .....	17
C. Vent Termination .....	19
Step 4 Positioning, Leveling, and Securing the Fireplace .....	21
Step 5 Installing the Optional Heat-Out or Heat-Zone Kits .....	22
Step 6 The Gas Control Systems .....	22
Step 7 The Gas Supply Line .....	23
Step 8 Gas Pressure Requirements .....	23
Step 9 Wiring the Fireplace .....	24
→ Step 10 Finishing .....	25
Facing Requirements .....	26
Step 11 Installing Trim, Logs and Ember Material .....	27
Installing the Trim .....	27
Positioning the Logs .....	27
→ Placing the Ember Material .....	27
Glass Specifications .....	27
→ Burner Removal .....	27
Step 12 Before Lighting the Fireplace .....	28
Step 13 Lighting the Fireplace .....	28
After the Installation .....	28
Climate Control .....	28
<b>Section 4: Maintaining and Servicing Your Fireplace .....</b>	<b>29</b>

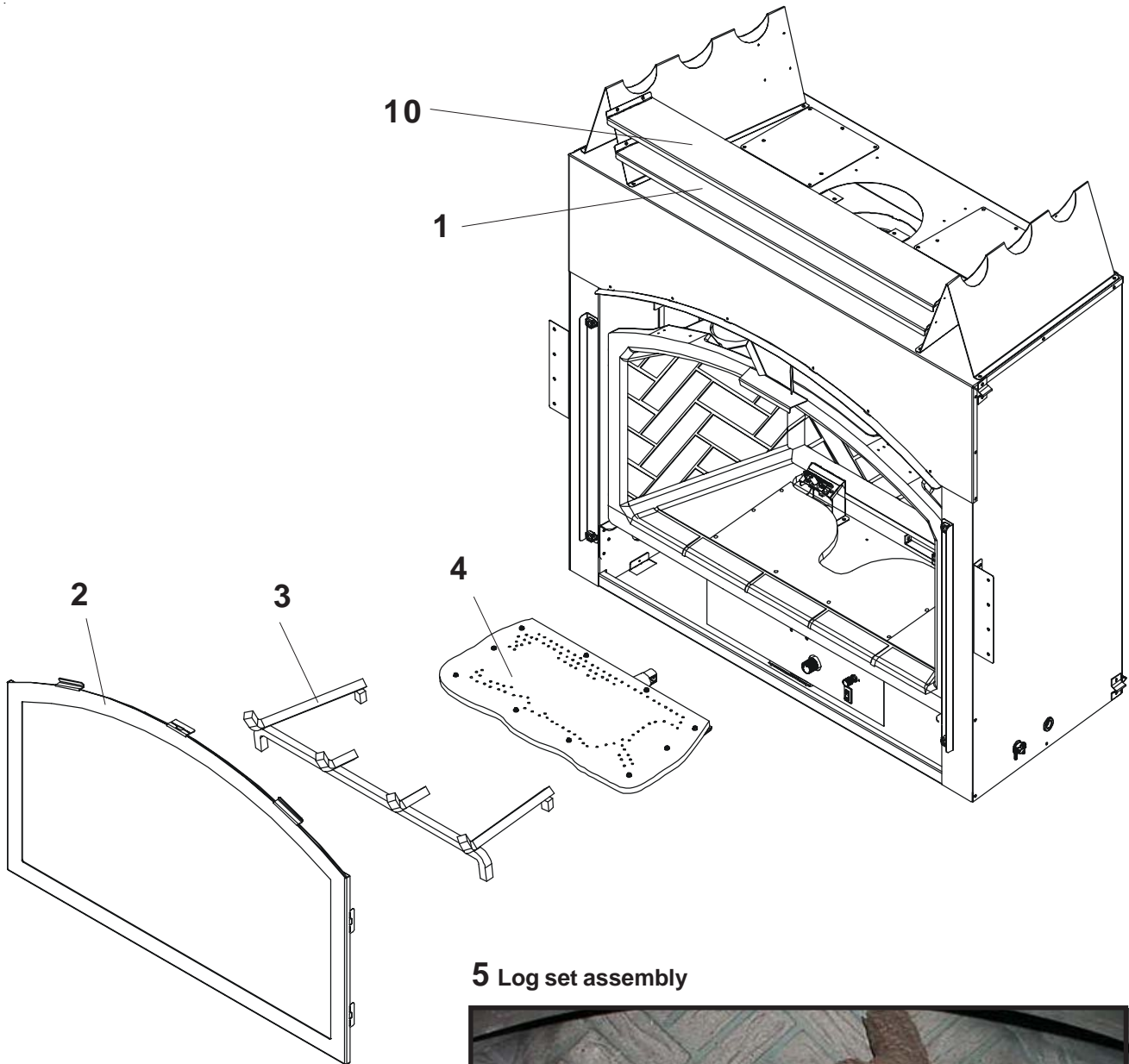
→ = Contains updated information.

Where everything comes together

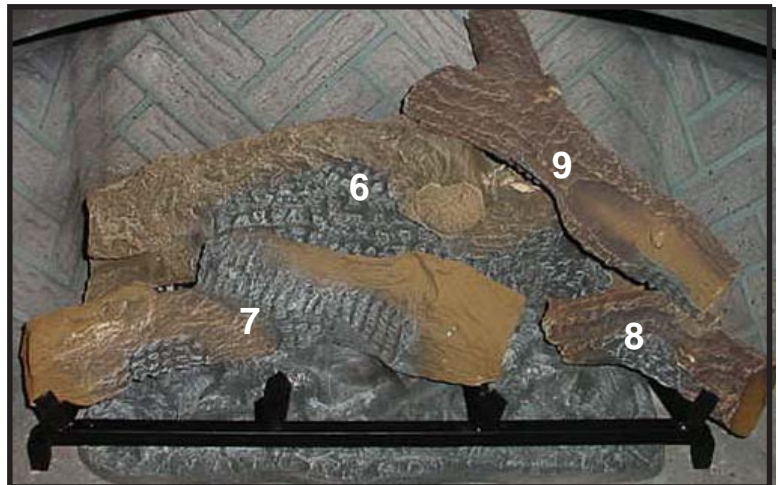
(NG, LP) Exploded Parts Diagram  
(GN, PL) Vue éclatée des pièces

Beginning Manufacturing Date: 7-02

Ending Manufacturing Date: \_\_\_\_\_



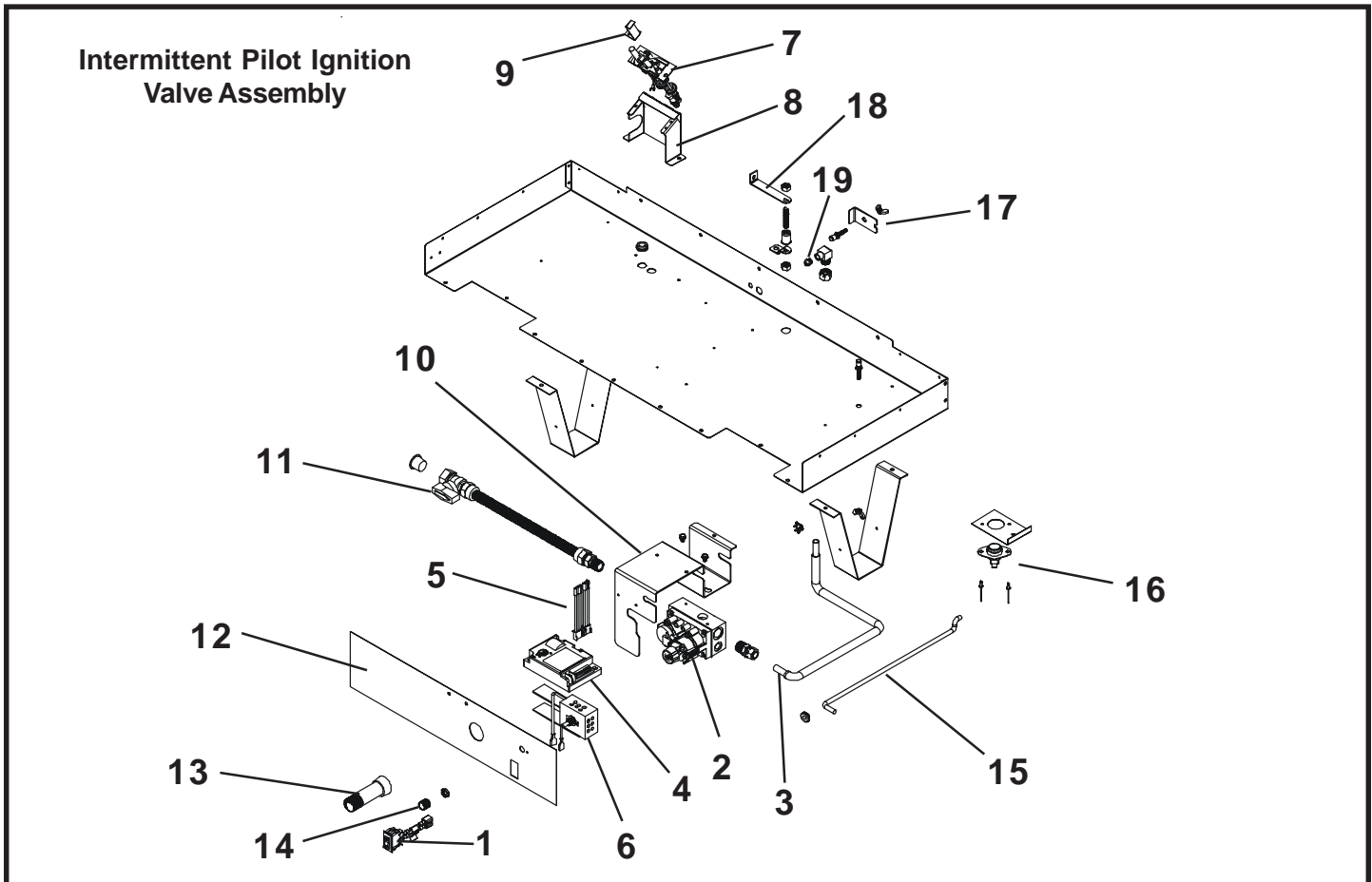
**5** Log set assembly



\* Part number list on following page.  
\* La liste des numéros de pièce se trouve à la page suivante.

**IMPORTANT:** THIS IS DATED INFORMATION. The most current information is located on your dealers VIP site. When ordering, supply serial and model numbers to ensure correct service parts. / **IMPORTANT :** L'information fournie dans cette brochure n'est valide que pendant une courte période. Les sites VIP des distributeurs disposent des renseignements les plus récents. Lors d'une commande, veuillez fournir les numéros de série et de modèles pour un remplacement adéquat des pièces.

ITEM / PIÈCE	DESCRIPTION	SERIAL # / N° DE SÉRIE	PART NUMBER / N° DE PIÈCE
1	Heat Shield / Protection(Bouclier) de Chaleur		370-130
2	Glass Door Assembly / Porte en verre		GLA-GEM36
3	Log Grate / Grille de Bûche	PRE 002330771 POST 002330771	370-360A 370-361A
4	Burner / Brûleur	PRE 002330771 POST 002330771	SRV370-279A SRV370-380A
5	Log Set Assembly / Jeu de Bûches		LOGS-GEM36
6	Log 1 / Bûche 1		SRV370-700
7	Log 2 / Bûche 2		SRV370-701
8	Log 3 / Bûche 3		SRV370-702
9	Log 4 / Bûche 4		SRV582-705
10	Top Heat Shield / Protection(Bouclier) de Chaleur Supérieure		370-140
	Flue Restrictor 1-1/4" diameter / Restricteur de conduite de cheminée		370-259
	Flue Restrictor 1-1/2" diameter / Restricteur de conduite de cheminée		370-260
	Junction Box / Boîtier de dérivation	PRE 5-04 POST 5-04	383-250A 4021-013
	3V Adaptor Plug / 3V Bouchon d'adaptateur		593-593A
	Battery Pack / Paquet de Batterie(Pile)		593-594A
	Fan Kit / Module de ventilateur		GFK-160A
	Mineral Wool / Laine minérale		050-721
	Fiberglass Rope / Corde de fibre de verre		060-455
	Golden Embers / Braises dorées		GE-93
	Vermiculite Embers / Vermiculite Braises		MYSTIC-EMBERS
	Template / Gabarit		GEM36-TEMPLATE
<b>ACCESSORIES / ACCESSOIRES</b>			
	Wall Switch Kit, Off-white / Interrupteur mural, blanc crème		WSK-21
	Wall Switch Kit, White / Interrupteur mural, blanc		WSK-21-W
	Multi-functional Wall Switch / Le Commutateur de Mur multi-fonctionnel		WSK-MLT
	Heat-Out Kit / Chauffe-hors Trousse		HEAT-OUT
	Heat-Zone Kit / Trousse de chauffe-zone		HEAT-ZONE
	Trim Door Mesh / Écran porte de garniture		MESH-GEM36
	LP Conversion Kit / Module de conversion PL		LPK-GEM36
	Fiber Patch Kit / La Trousse de Pièce de fibre		SRV-PACK



ITEM / PIÈCE	DESCRIPTION	SERIAL # / N° DE SÉRIE	PART NUMBER / N° DE PIÈCE
1	ON/OFF Rocker Switch / Interrupteur à bascule MARCHE/ARRÊT		060-521A
2	Valve NG / Valve GN		750-500
2	Valve LP / Valve PL		750-501
3	Flexible Gas Connector / Tuyau à gaz flexible		567-301A
4	Module / Module		593-592
5	Wire Assembly / Module de fil		593-590A
6	Rheostat Assembly / Assemblée de Rhéostat		100-510A
7	Pilot Assembly NG / Module de veilleuse GN		370-510A
7	Pilot Assembly LP / Module de veilleuse PL		370-511A
8	Pilot Bracket / Parenthèse Pilote		370-165
9	Ground Strap / Courroie de Raison(Terre)		385-512
10	Valve Bracket / Parenthèse de Valve		370-155
11	Flex Ball Valve Assembly / Fléchir l'Assemblée de Soupape de Balle		302-320A
12	Control Panel / Tableau de commande avant		370-153
13	Flame Control Knob / Flamber le Bouton de Contrôle		571-531
14	Rheostat Knob - Black / Bouton de Rhéostat - Noir		100-512
15	Shutter Rod / Tige d'Obturateur		370-350
16	Temp Sensor / Détecteur de température		107-531
17	Orifice Bracket / Parenthèse d'Orifice		370-120
18	Handle / Poignée		319-167
19	Burner Orifice NG (#32C) / Orifice de brûleur GN (#32C)		582-832
19	Burner Orifice LP (#50C) / Orifice de brûleur PL (#50C)		582-850
	20 inch Wire Harness / Harnais de fil		107-559A
	Pilot Support / Piloter le Soutien		385-120

# 1

## Approvals and Codes

---

### Appliance Certification

The Heat & Glo fireplace model discussed in this *Installers Guide* has been tested to certification standards and listed by the applicable laboratories.

#### Certification

**MODEL:** GEM36  
**LABORATORY:** Underwriters Laboratories  
**TYPE:** Direct Vent Gas Fireplace Heater  
**STANDARD:** ANSI Z21.88-2000•CSA2.33-M98•UL307B

### Installation Codes

The fireplace installation must conform to local codes. Before installing the fireplace, consult the local building code agency to ensure that you are in compliance with all applicable codes, including permits and inspections.

In the absence of local codes, the fireplace installation must conform to the National Fuel Gas Code ANSI Z223.1 (in the United States) or the CAN/CGA-B149 Installation Codes (in Canada). The appliance must be electrically grounded in accordance with local codes or, in the absence of local codes with the National Electric Code ANSI/NFPA No. 70 (in the United States), or to the CSA C22.1 Canadian Electric Code (in Canada).

These models may be installed in a bedroom or bed-sitting room in the U.S.A. and Canada.

### High Altitude Installations

U.L. Listed gas appliances are tested and approved without requiring changes for elevations from 0 to 2,000 feet in the U. S. A. and in Canada.

When installing this appliance at an elevation above 2,000 feet, it may be necessary to decrease the input rating by changing the existing burner orifice to a smaller size. Input rate should be reduced by 4% for each 1000 feet above a 2000 foot elevation in the U.S.A. or 10% for elevations between 2000 and 4500 feet in Canada. If the heating value of the gas has been reduced, these rules do not apply. To identify the proper orifice size, check with the local gas utility.

If installing this appliance at an elevation above 4,500 feet (in Canada), check with local authorities.



Heat & Glo Quality Systems  
registered by SGS ICS

# 2

## Getting Started

---

### Introducing the Heat & Glo Gas Fireplaces

Heat & Glo direct vent gas fireplaces are designed to operate with all combustion air siphoned from outside of the building and all exhaust gases expelled to the outside.

The information contained in this *Installers Guide*, unless noted otherwise, applies to all models and gas control systems. Gas fireplace diagrams, including the dimensions, are shown in this section.

### Pre-install Preparation

This gas fireplace and its components are tested and safe when installed in accordance with this *Installers Guide*. Report to your dealer any parts damaged in shipment, particularly the condition of the glass. **Do not install any unit with damaged, incomplete, or substitute parts.**

The vent system components and trim doors are shipped in separate packages. The gas logs may be packaged separately and must be field installed.

**Read all of the instructions before starting the installation. Follow these instructions carefully during the installation to ensure maximum safety and benefit. Failure to follow these instructions will void the owner's warranty and may present a fire hazard.**

The Heat & Glo Warranty will be voided by, and Heat & Glo disclaims any responsibility for, the following actions:

- Installation of any damaged fireplace or vent system component.
- Modification of the fireplace or direct vent system.
- Installation other than as instructed by Heat & Glo.
- Improper positioning of the gas logs or the glass door.
- Installation and/or use of any component part not manufactured and approved by Heat & Glo, notwithstanding any independent testing laboratory or other party approval of such component part or accessory.

**ANY SUCH ACTION MAY POSSIBLY CAUSE A FIRE HAZARD.**

When planning a fireplace installation, it's necessary to determine:

- Where the unit is to be installed.
- The vent system configuration to be used.
- Gas supply piping.
- Electrical wiring.
- Framing and finishing details.
- Whether optional accessories—devices such as a fan, wall switch, or remote control—are desired.

If the fireplace is to be installed on carpeting or tile, or on any combustible material other than wood flooring, the fireplace should be installed on a metal or wood panel that extends the full width and depth of the fireplace.



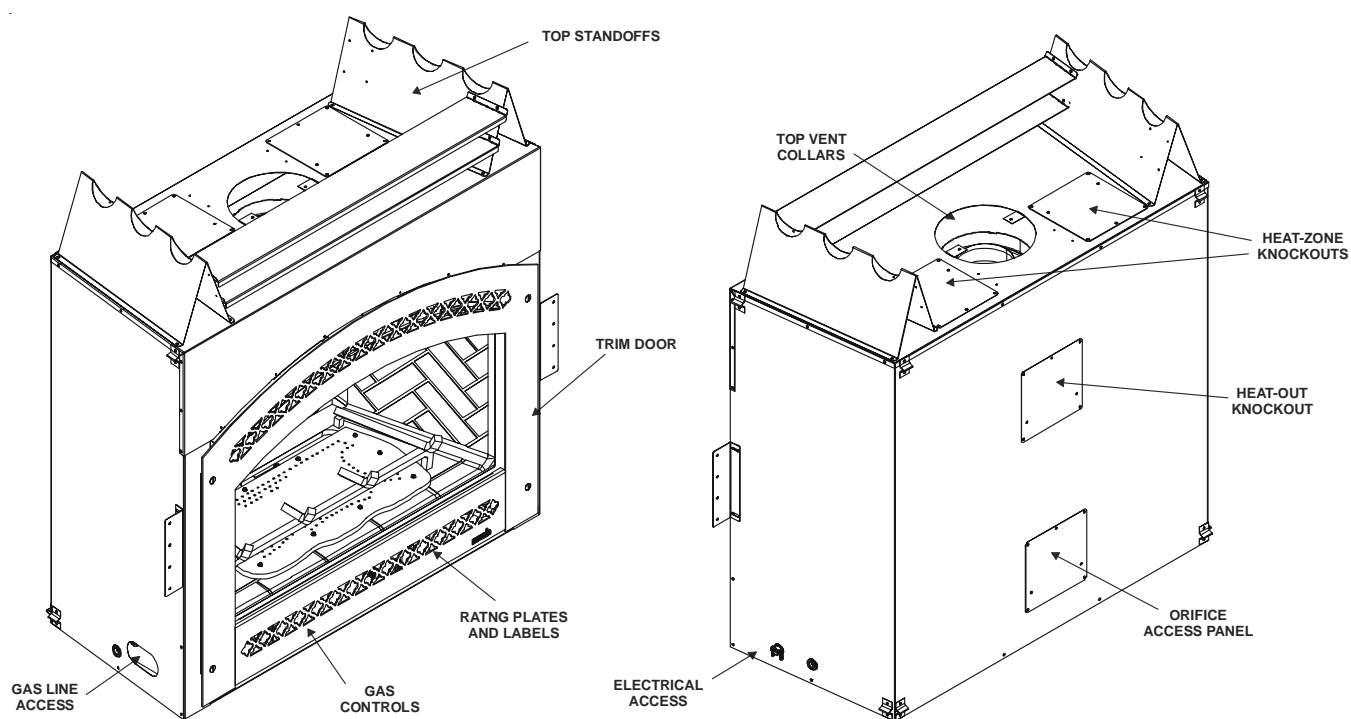
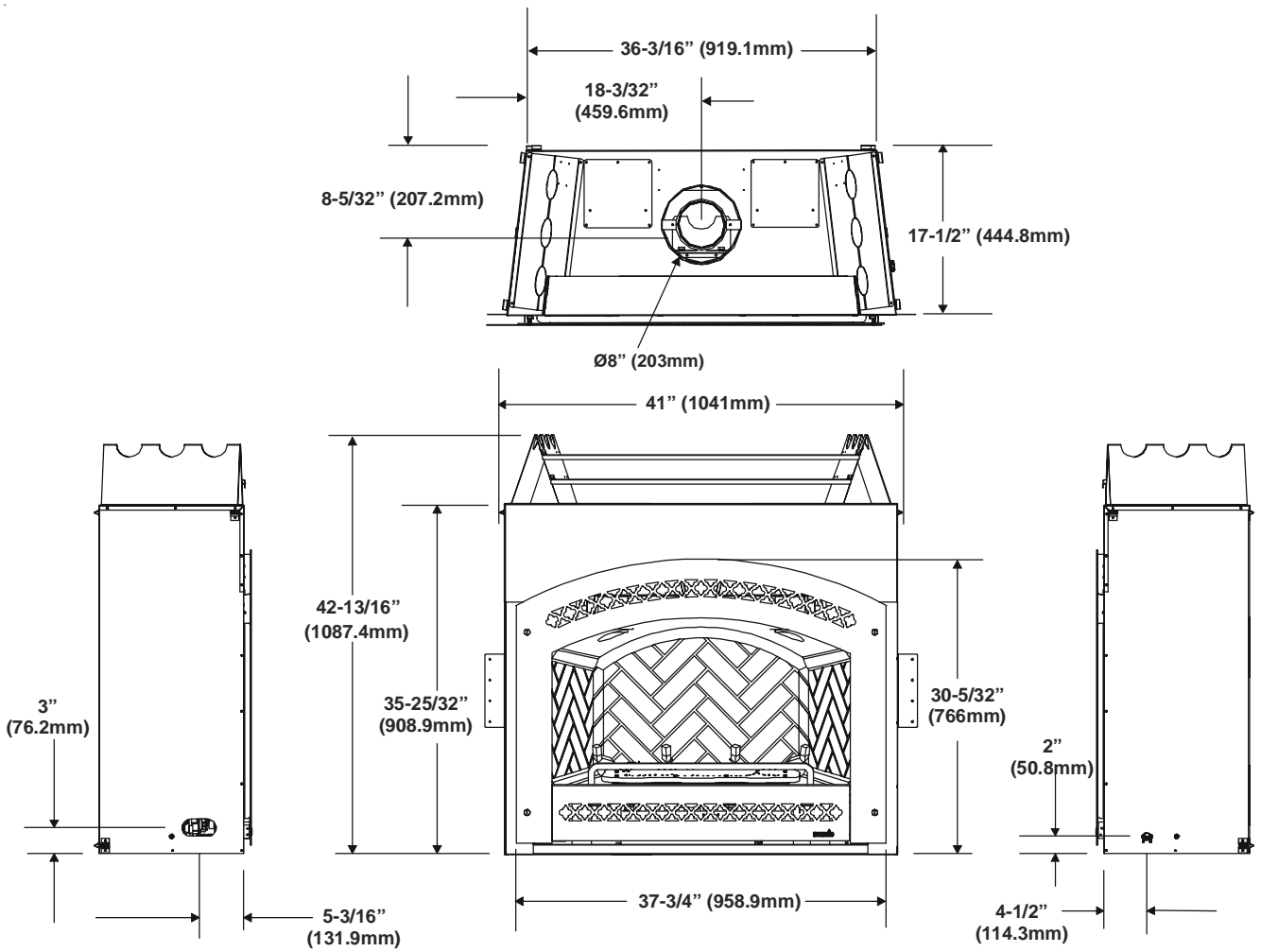


Figure 1. Diagram of the GEM36

# 3

## Installing the Fireplace

### Constructing the Fireplace Chase

A chase is a vertical box-like structure built to enclose the gas fireplace and/or its vent system. Vertical vents that run on the outside of a building may be, but are not required to be, installed inside a chase.

**CAUTION:** TREATMENT OF FIRESTOP SPACERS AND CONSTRUCTION OF THE CHASE MAY VARY WITH THE TYPE OF BUILDING. THESE INSTRUCTIONS ARE NOT SUBSTITUTES FOR THE REQUIREMENTS OF LOCAL BUILDING CODES. THEREFORE, YOUR LOCAL BUILDING CODES **MUST** BE CHECKED TO DETERMINE THE REQUIREMENTS FOR THESE STEPS.

Factory-built fireplace chases should be constructed in the manner of all outside walls of the home to prevent cold air drafting problems. The chase should not break the outside building envelope in any manner.

This means that the walls, ceiling, base plate and cantilever floor of the chase should be insulated. Vapor and air infiltration barriers should be installed in the chase as per regional codes for the rest of the home. Additionally, Heat & Glo recommends that the inside surfaces be sheetrocked and taped for maximum air tightness.

To further prevent drafts, the firestops should be caulked to seal gaps. Gas line holes and other openings should be caulked or stuffed with insulation. If the unit is being installed on a cement slab, we recommend that a layer of plywood be placed underneath to prevent conducting cold up into the room. Be sure to include spark arrestors for woodburning units if they are required.

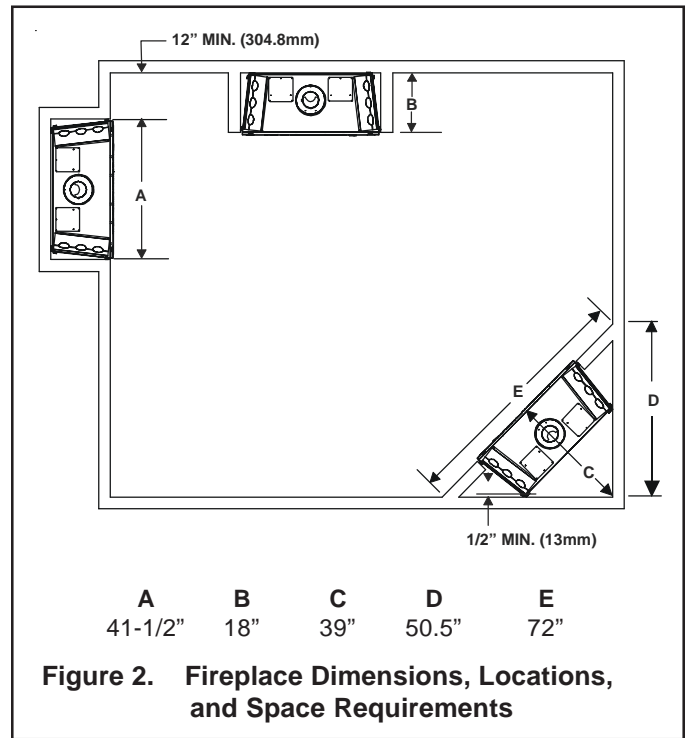
**THE CHASE SHOULD BE CONSTRUCTED SO THAT ALL CLEARANCES TO THE FIREPLACE ARE MAINTAINED AS SPECIFIED WITHIN THIS INSTALLERS GUIDE.**

### Step 1. Locating the Fireplace

The following diagram shows space and clearance requirements for locating a fireplace within a room.

#### Clearance Requirements

The top, back, and sides of the fireplace are defined by stand-offs. The minimum clearance to a perpendicular wall extending past the face of the fireplace is 12" (304.8 mm). The back of the fireplace may be recessed 17 1/2" (437.5 mm) into combustible construction.



**Figure 2. Fireplace Dimensions, Locations, and Space Requirements**

### Minimum Clearances from the Fireplace to Combustible Materials

	Inches	mm
Glass Front .....	36	914
Floor .....	0	0
Rear .....	1/2	13
Sides .....	1/2	13
Surround Sides* .....	1/2	13
Top .....	7	178
Ceiling** .....	31	787

\* See Figure 3.

\*\* The clearance to the ceiling is measured from the top of the unit, excluding the standoffs.

The distance from the unit to combustible construction is to be measured from the unit outer wrap surface to the combustible construction, **NOT** from the screw heads that secure the unit together.

### Minimum Clearances from the Vent Pipe to Combustible Materials

	Inches	mm
<b>Vertical Sections.</b> .....	1	25
<b>Horizontal Sections</b>		
Top .....	3	75
Bottom .....	1	25
Sides .....	1	25
<b>At Wall Firestops</b>		
Top .....	3	75
Bottom .....	1	25
Sides .....	1	25

For minimum clearances, see the direct vent termination clearance diagrams on pages 19 and 20 in this manual.

## Step 2. Framing the Fireplace

Fireplace framing can be built before or after the fireplace is set in place. Framing should be positioned to accommodate wall coverings and fireplace facing material. The diagram below shows framing reference dimensions.

**CAUTION:** MEASURE FIREPLACE DIMENSIONS AND VERIFY FRAMING METHODS AND WALL COVERING DETAILS BEFORE FRAMING.

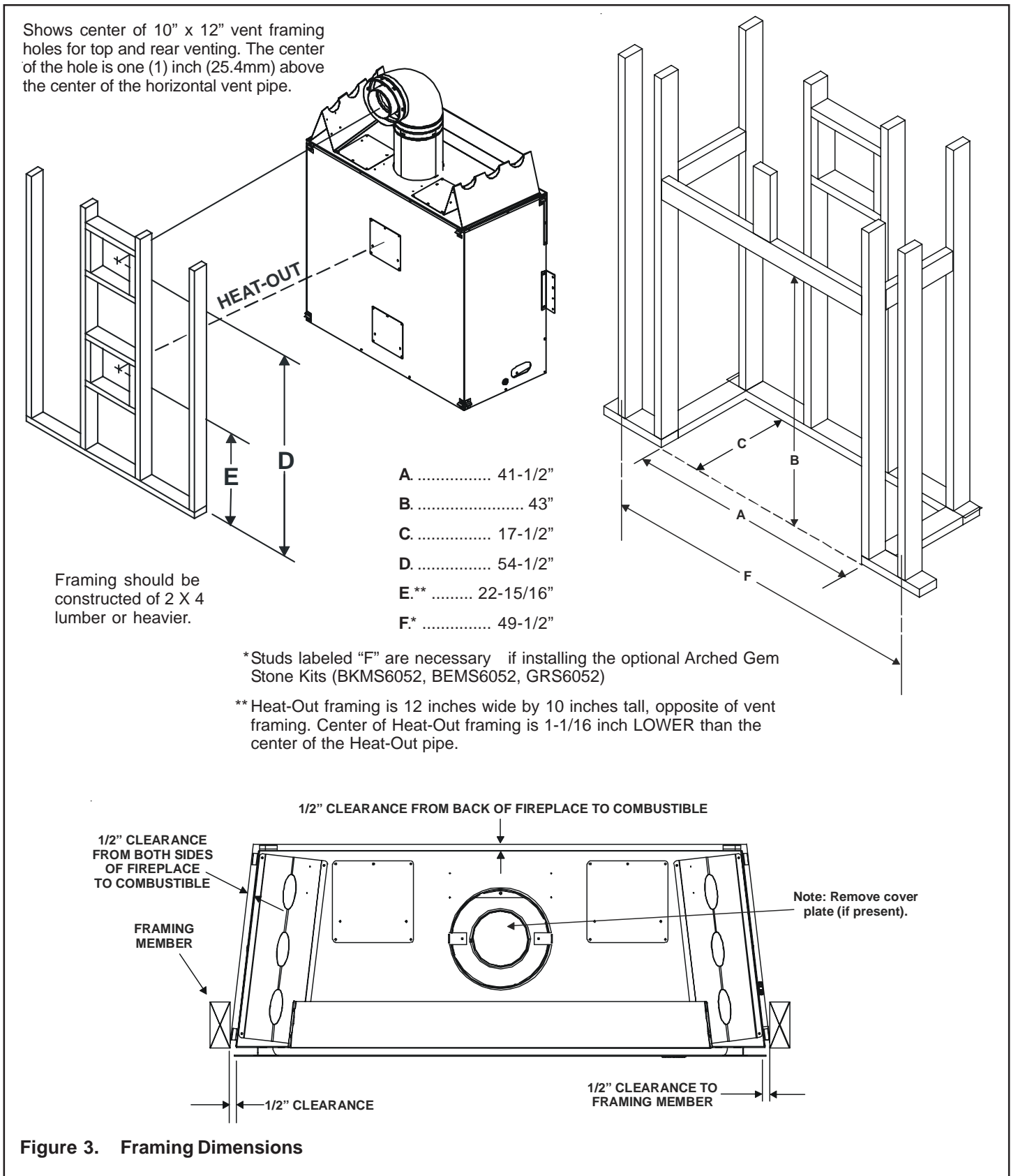
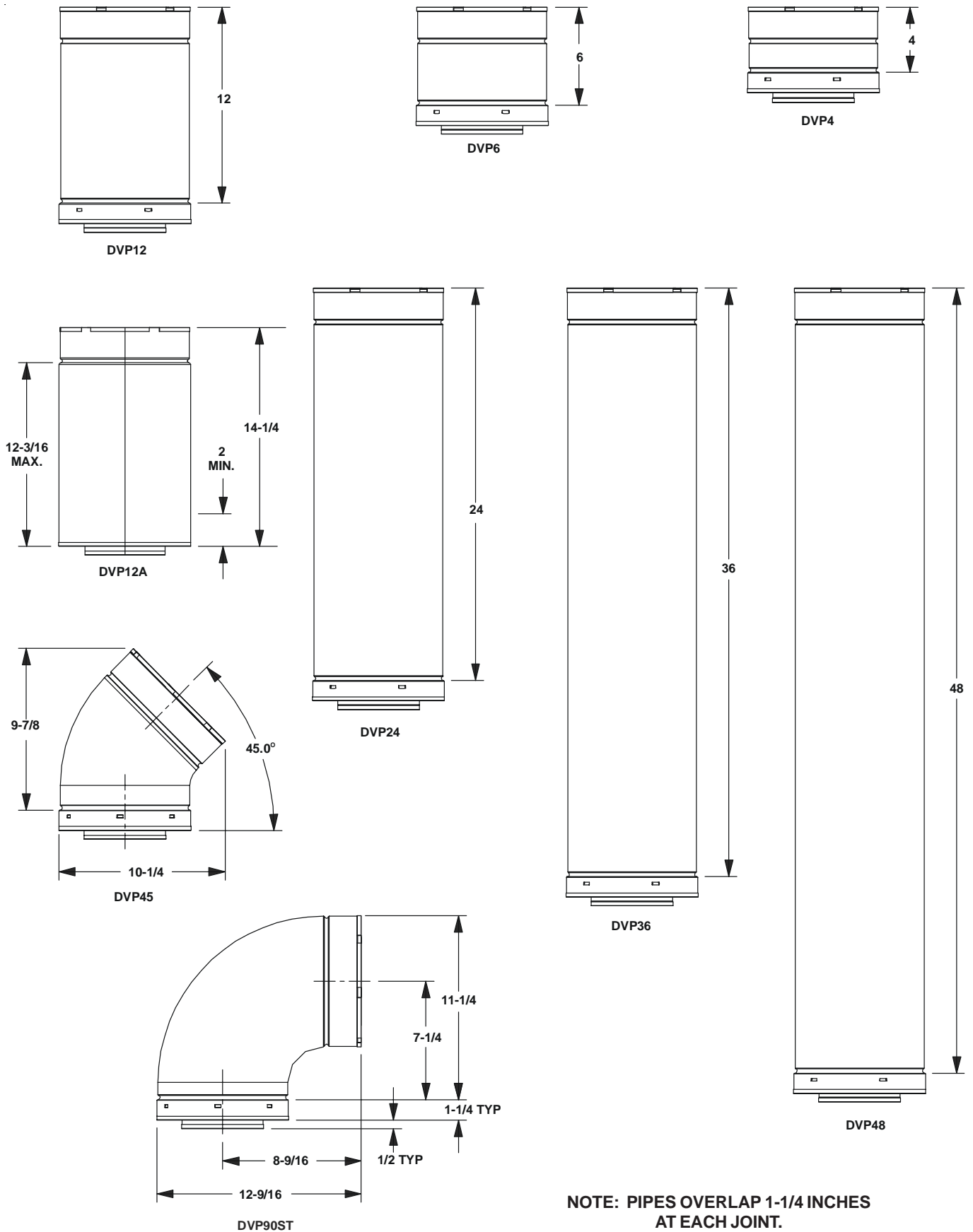


Figure 3. Framing Dimensions



**NOTE: PIPES OVERLAP 1-1/4 INCHES AT EACH JOINT.**

**Figure 4. DVP-Series Direct Vent Component Specifications (5-inch inner pipe / 8-inch outer pipe)**

### Step 3. Installing the Vent System

#### A. Vent System Approvals

These models are approved to use DVP-series direct vent pipe components and terminations (see Figures 4 and 5). Approved vent system components are labeled for identification. This pipe is tested and listed as an approved component of the fireplace. The pipe is tested to be run inside an enclosed wall. There is no requirement for inspection openings at each joint within the wall. There is no required pitch for horizontal vent runs. **NO OTHER VENTING SYSTEMS OR COMPONENTS MAY BE USED.**

Detailed installation instructions are included with each vent termination kit and should be used in conjunction with this *Installers Guide*.

The flame and ember appearance may vary based on the type of fuel burned and the venting configuration used.

#### Identifying Vent Components

The vent systems installed on this gas fireplace may include one, two, or three 90° elbow assemblies. The relationships of vertical rise to horizontal run in vent configurations using 90° elbows **MUST BE** strictly adhered to. The rise to run relationships are shown in the venting drawings and tables. Refer to the diagrams on the next several pages.

**NOTE: Two 45° elbows may be used in place of one 90° elbow. Rise to run ratios in the vent system must be followed if 45° elbows are used.**

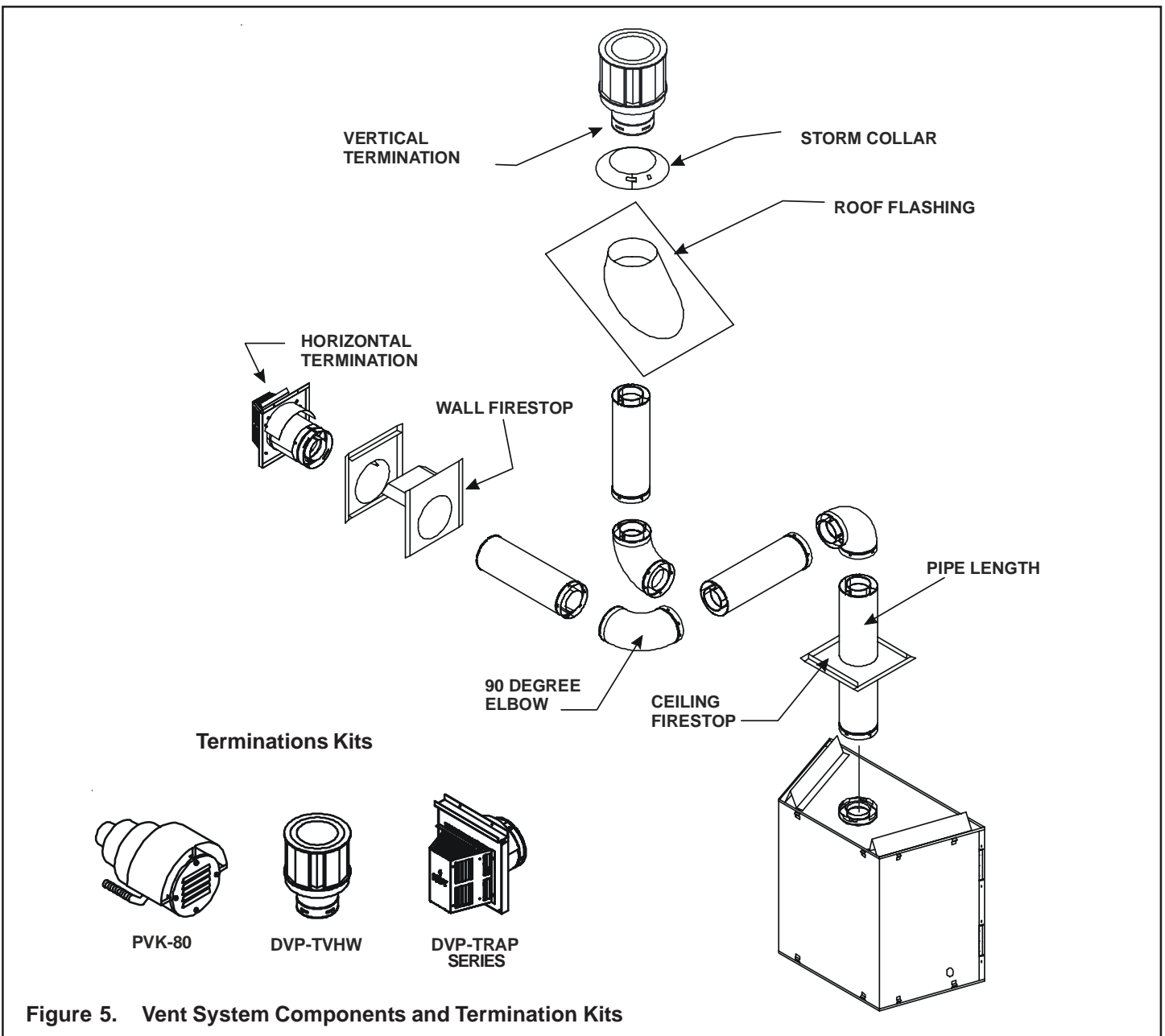
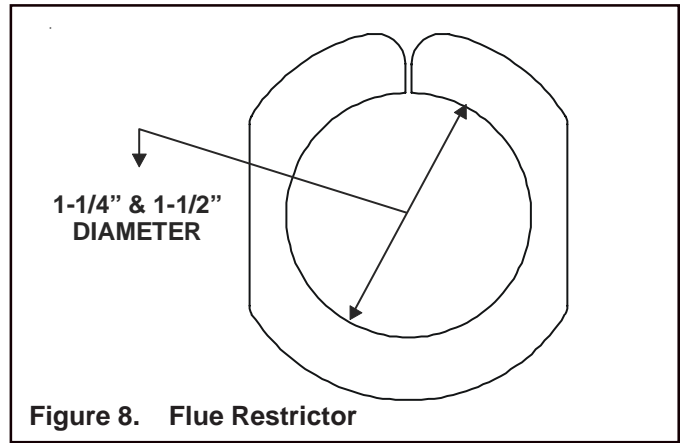
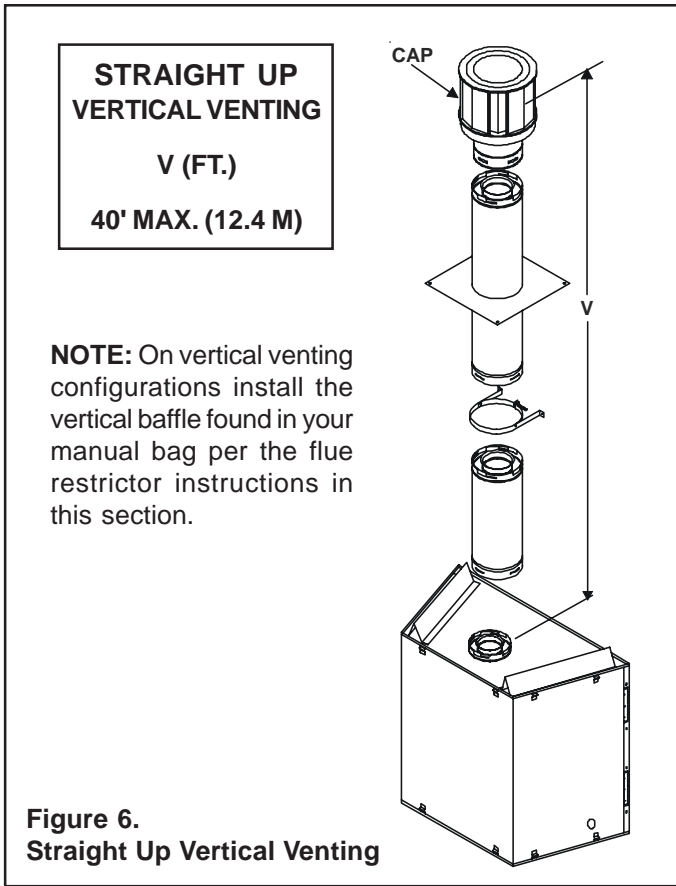
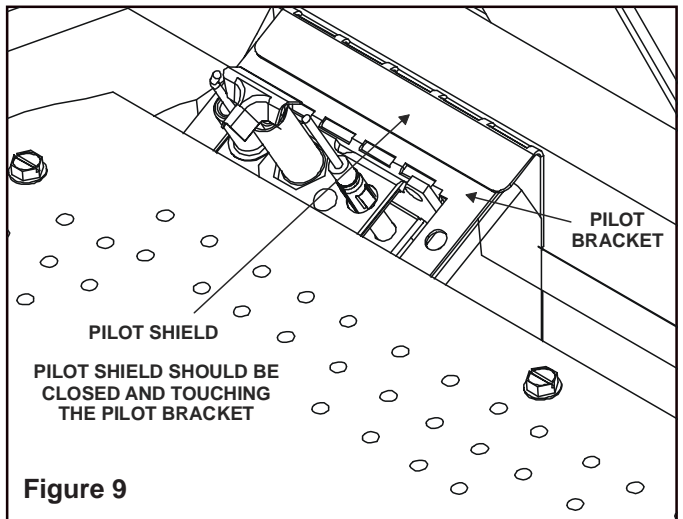


Figure 5. Vent System Components and Termination Kits

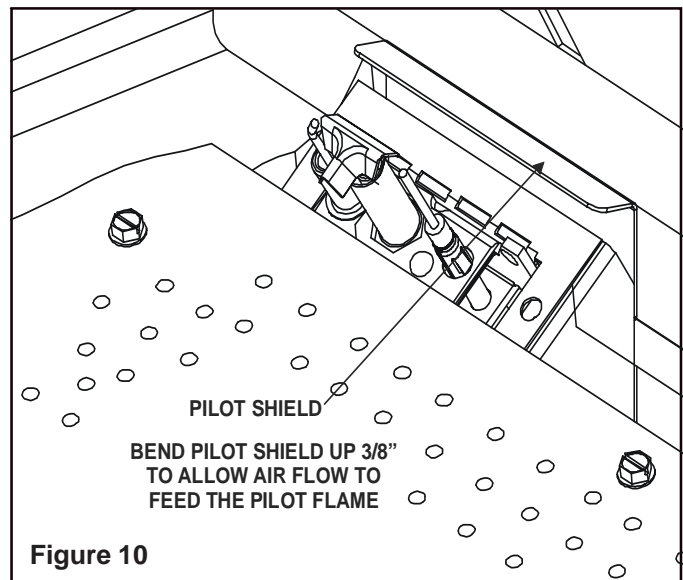


### Pilot Shield Adjustment

**Note:** When venting this unit with high vertical (8 feet or more) with very little horizontal the pilot shield will need to be bent down in the closed position as shown in Figure 9. ←



**Note:** When venting this unit with long horizontal runs and/or multiple elbows, the pilot shield will need to be in the opened position as in Figure 10. ←

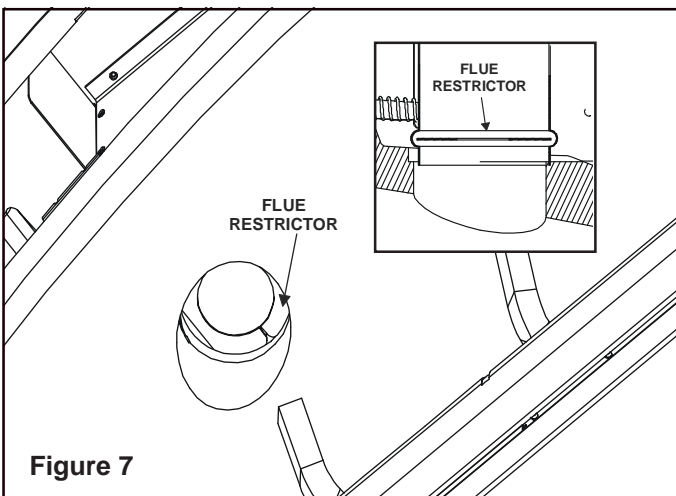


### Flue Restrictor Instructions

1. Locate the flue restrictors inside the unit to the left of the control panel. There are two each of 1-1/4" diameter and 1-1/2" diameter. Use the following table to determine which restrictors to use for the vent run.

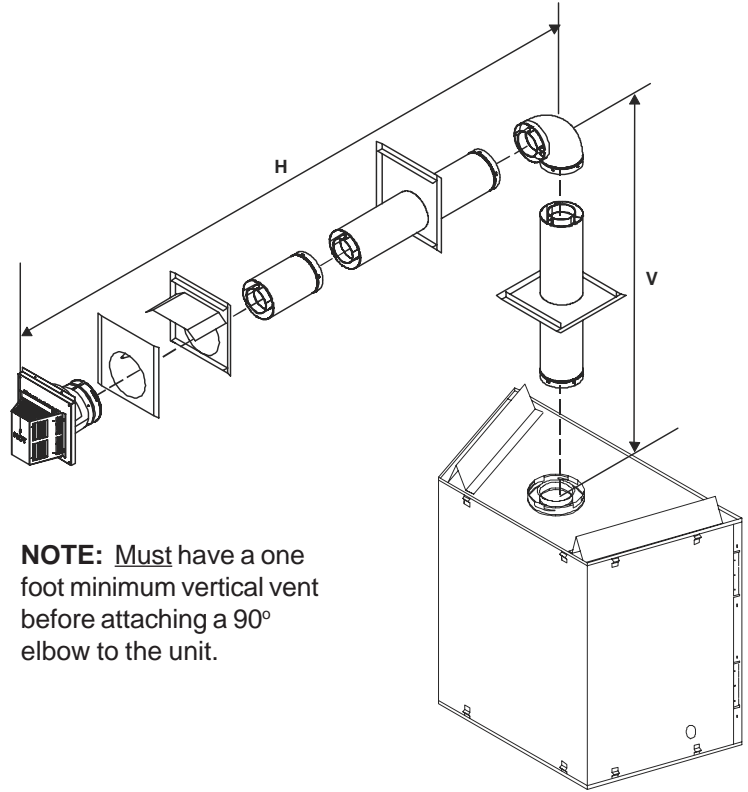
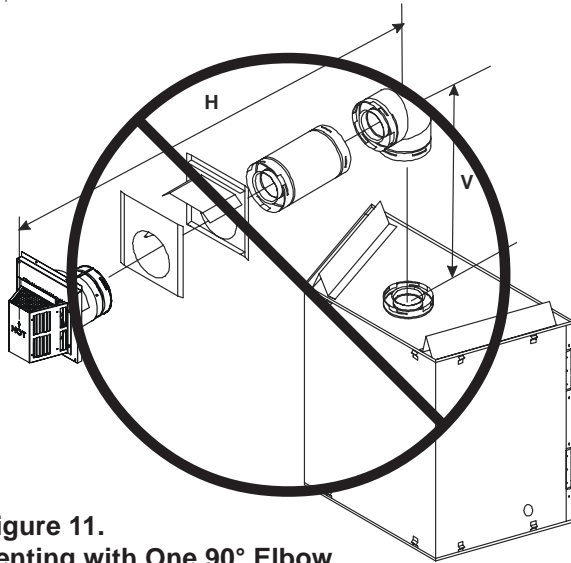
Vent Run Vertical	15'-30'	30'-40'
NG	1-1/2" & 1-1/2"	1-1/2" & 1-1/4"
LP	1-1/2" & 1-1/2"	1-1/4" & 1-1/4"

2. See Figure 7 for restrictor installation. Insert each restrictor in one of the 3" exhaust collars as shown.



### VENTING WITH ONE (1) 90° ELBOW

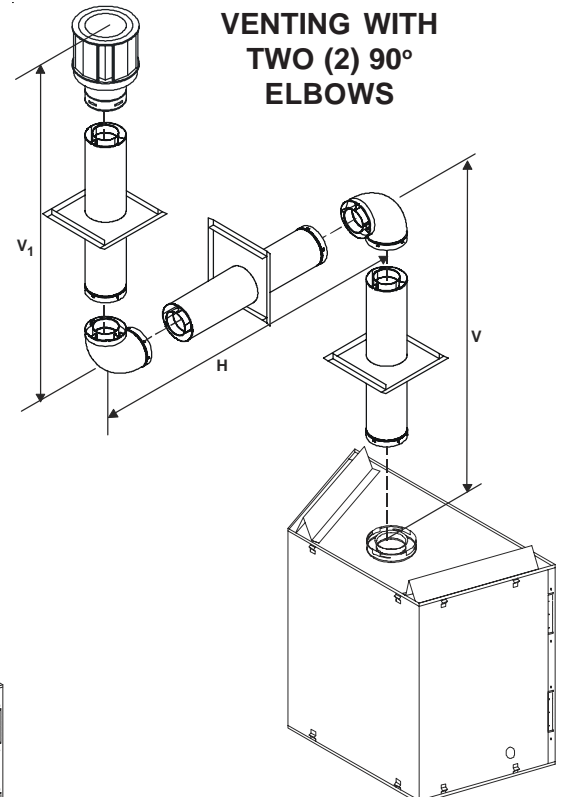
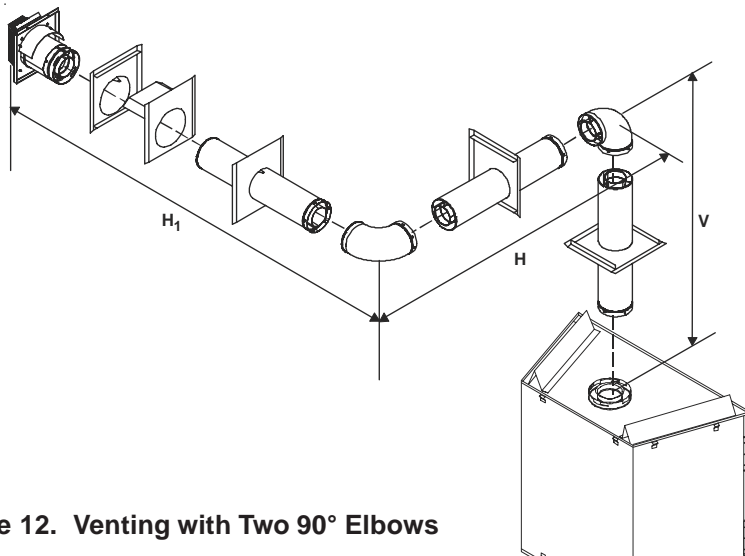
V (FT.)	H (FT.)
1.5' MIN. (.457m)	3' MAX. (.912m)
2.5' MIN. (.762m)	6' MAX. (1.82m)
3.5' MIN. (1.06m)	9' MAX. (2.73m)
4.5' MIN. (1.37m)	12' MAX. (3.64m)
5.5' MIN. (1.67m)	15' MAX. (4.55m)
6.5' MIN. (1.98m)	18' MAX. (5.46m)
7.5' MIN. (2.28m)	21' MAX. (6.37m)
8.5' MIN. (2.59m)	24' MAX. (7.28m)
V = 40' MAX. (12.2m)	
V+H = 64' MAX. (19.5m)    H = 24' MAX. (7.28m)	



**NOTE:** Must have a one foot minimum vertical vent before attaching a 90° elbow to the unit.

Figure 11.  
Venting with One 90° Elbow

V FT.	H + H <sub>1</sub> (FT.)
1.5' MIN. (.457m)	3' MAX. (.912m)
2.5' MIN. (.762m)	6' MAX. (1.82m)
3.5' MIN. (1.06m)	9' MAX. (2.73m)
4.5' MIN. (1.37m)	12' MAX. (3.64m)
V+H+H <sub>1</sub> = 64' MAX. (19.5m)    H+H <sub>1</sub> = 24' MAX. (7.3m)	
V+V <sub>1</sub> +H = 64' MAX. (19.5m)	



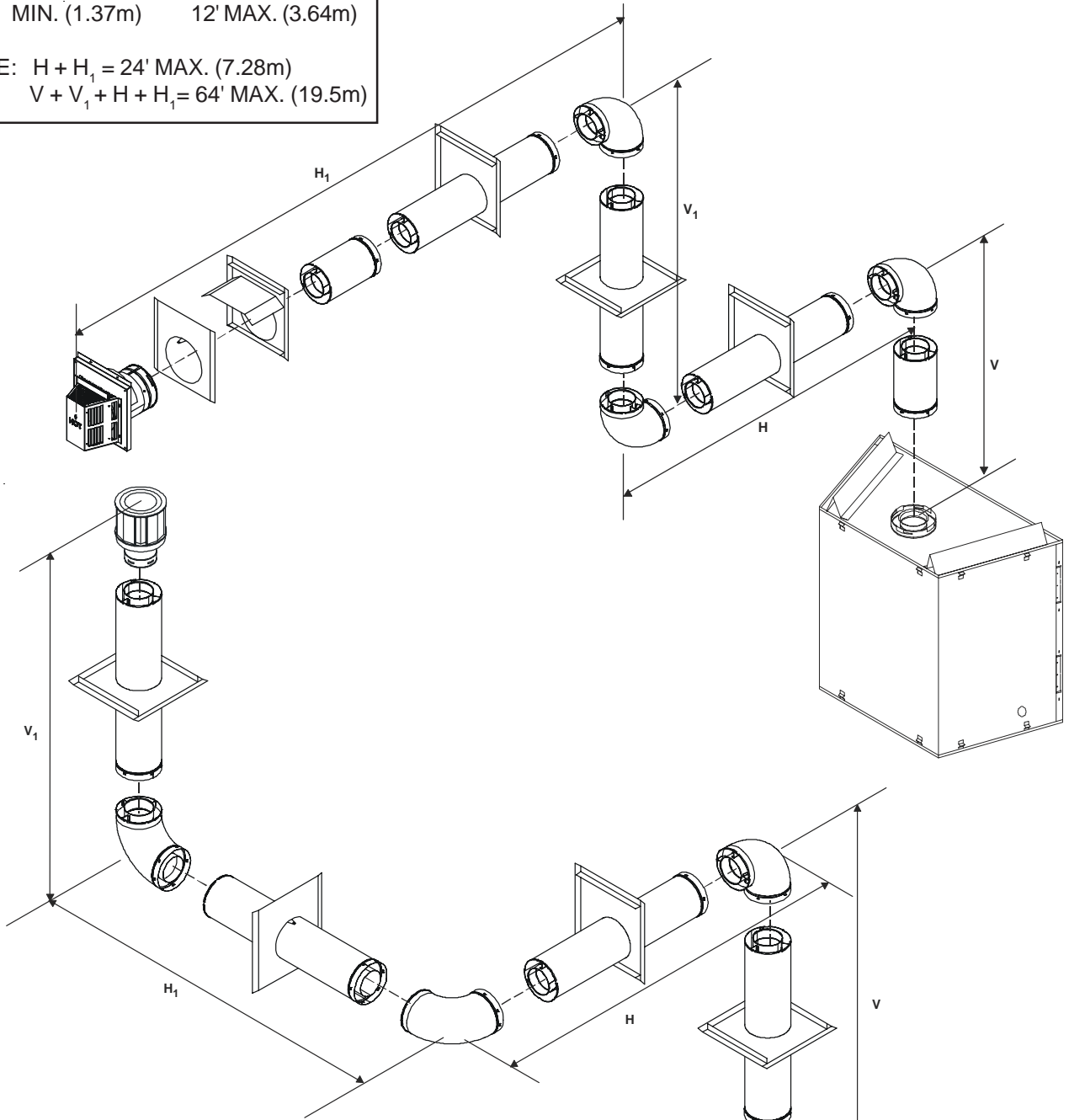
### VENTING WITH TWO (2) 90° ELBOWS

Figure 12. Venting with Two 90° Elbows

**VENTING WITH THREE (3) 90° ELBOWS**

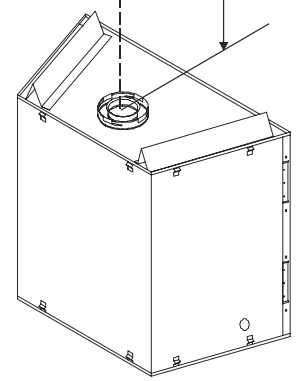
V (FT.)	H (FT.)
2' MIN. (.609m)	3' MAX. (.912m)
2.5' MIN. (.762m)	6' MAX. (1.82m)
3.5' MIN. (1.06m)	9' MAX. (2.73m)
4.5' MIN. (1.37m)	12' MAX. (3.64m)

NOTE:  $H + H_1 = 24'$  MAX. (7.28m)  
 $V + V_1 + H + H_1 = 64'$  MAX. (19.5m)



V (FT.)	H + H <sub>1</sub> (FT.)
2' MIN. (.609m)	3' MAX. (.912m)
2.5' MIN. (.762m)	6' MAX. (1.82m)
3.5' MIN. (1.06m)	9' MAX. (2.73m)
4.5' MIN. (1.37m)	12' MAX. (3.64m)

$H + H_1 = 20'$  MAX. (6.2m)  
 NOTE:  $V + V_1 + H + H_1 = 64'$  MAX. (19.5m)



**Figure 13. Venting with three 90° elbows**



## B. Installing Vent Components

### Venting Out the Top Vent

The glass must be taken off again for positioning the logs when the unit is finally installed in place and finished around it. Re-install the glass door. Attach vent system to the top starting collars.

#### 1. Attach the First Vent Component to the Starting Collars

To attach the first vent component to the starting collars of the fireplace:

- Make sure that the fiberglass rope ring supplied in the manual bag seals between the first 8 inch (203mm) vent component and the outer fireplace wrap (see Figure 14).

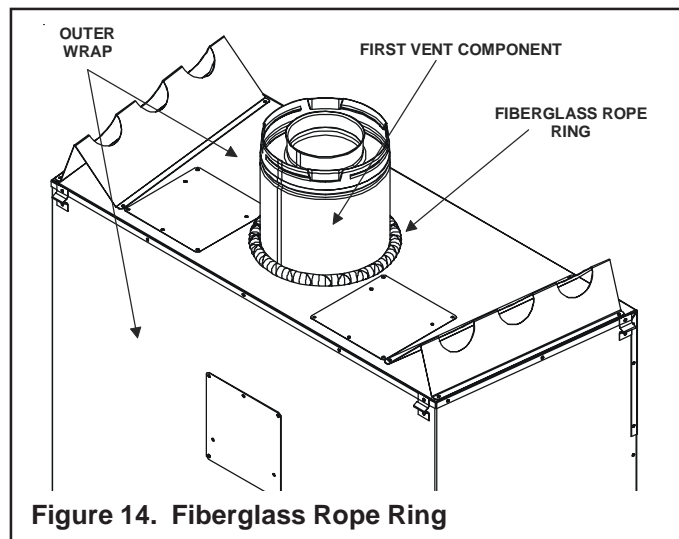


Figure 14. Fiberglass Rope Ring

Refer to Cinch Pipe (DVP) and Termination Cap installation instructions.



**WARNING: ENSURE THAT THE FIBERGLASS GASKET SUPPLIED WITH THE FIREPLACE SEALS BETWEEN THE FIRST VENT COMPONENT AND THE OUTER FIREPLACE WRAP.**

#### 2. Continue Adding Vent Components

- Continue adding vent components snap-locking, locking each succeeding component into place.
- Ensure that each succeeding vent component is securely fitted and locked into the preceding component in the vent system. Securing pipe sections with a maximum of two screws is recommended.
- 90° elbows may be installed and rotated to any point around the preceding component's vertical axis. If an elbow does not end up in a locked position with the preceding component, attach with a minimum of two (2) sheet metal screws.

#### 3. Install Support Brackets

Refer to Cinch Pipe and Termination Cap installation instructions.

#### 4. Install Firestops

**For Horizontal Runs** - Firestops are **REQUIRED** on both sides of a combustible wall through which the vent passes.

**NOTE: Model DVP-TRAP does not need an exterior firestop on an exterior combustible wall.**

To install firestops for horizontal runs that pass through either interior or exterior walls:

- Cut a 10-inch by 12-inch (254mm X 305mm) hole through the wall.

**NOTE: The center of the hole is one (1) inch (25.4mm) above the center of the horizontal vent pipe.**

- Position the firestops on both sides of the hole previously cut and secure the firestops with nails or screws.
- The heat shields of the firestops **MUST BE** placed towards the top of the hole.
- Continue the vent run through the firestops.

**NOTE: There must be NO INSULATION or other combustibles inside the framed firestop opening.**

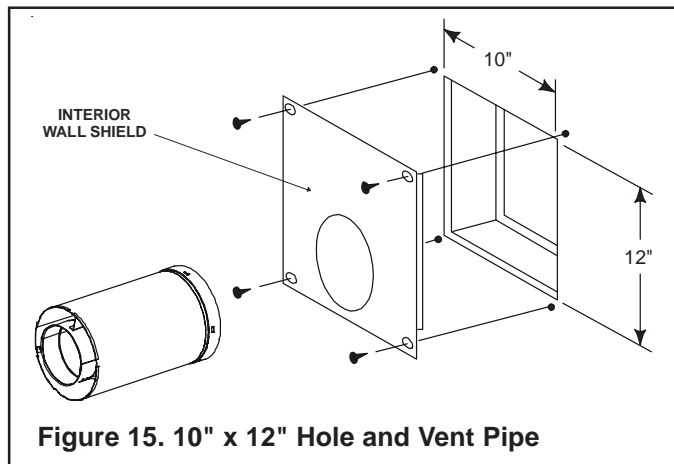


Figure 15. 10" x 12" Hole and Vent Pipe

**For Vertical Runs** - One ceiling firestop is **REQUIRED** at the hole in each ceiling through which the vent passes.

To install firestops for vertical runs that pass through ceilings:

- Position a plumb bob directly over the center of the vertical vent component.
- Mark the ceiling to establish the centerpoint of the vent.
- Drill a hole or drive a nail through this centerpoint.
- Check the floor above for any obstructions, such as wiring or plumbing runs.
- Reposition the fireplace and vent system, if necessary, to accommodate the ceiling joists and/or obstructions.
- Cut an 10-inch X 10-inch (254mm X 254mm) hole through the ceiling, using the centerpoint previously marked.
- Frame the hole with framing lumber the same size as the ceiling joists.

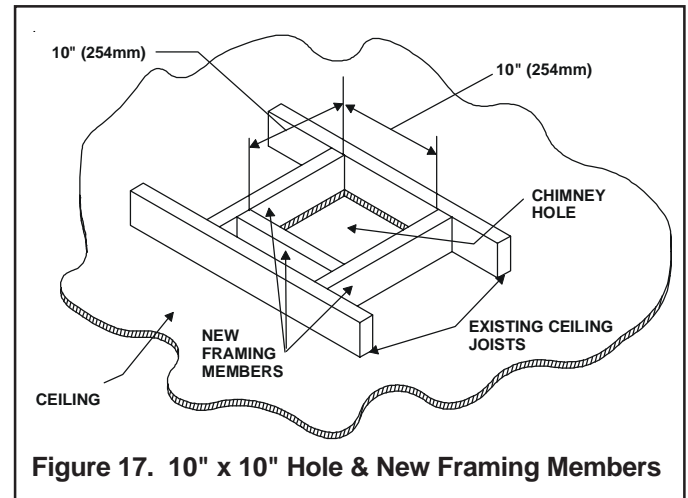


Figure 17. 10" x 10" Hole & New Framing Members

If the area above the ceiling is **NOT** an attic, position and secure the ceiling firestop on the ceiling side of the previously cut and framed hole.

**NOTE: There must be NO INSULATION or other combustibles inside the framed firestop opening.**

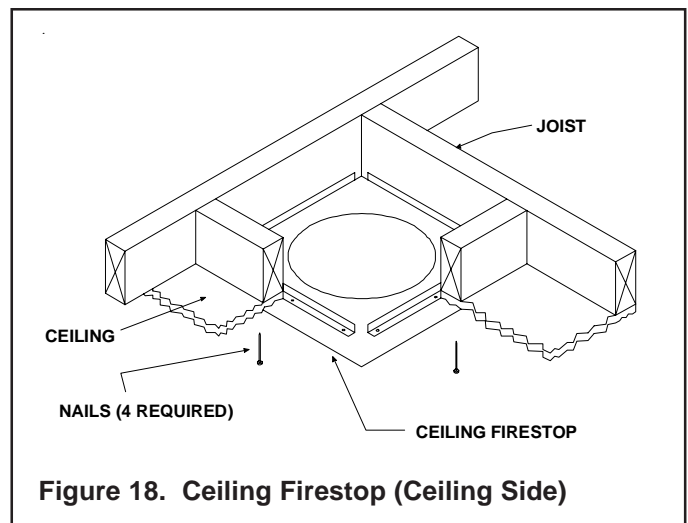


Figure 18. Ceiling Firestop (Ceiling Side)

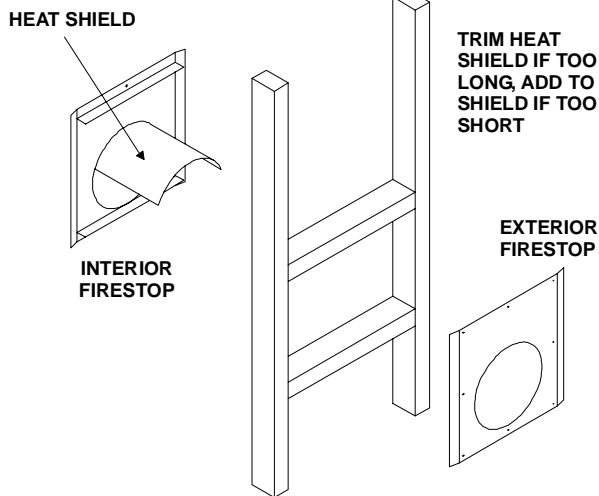


Figure 16. Heat Shield, Interior & Exterior Firestops

If the area above the ceiling **IS** an attic, position and secure the firestop on top of the previously framed hole.

**NOTE: Keep insulation away from the vent pipe at least 1 inch (25mm).**

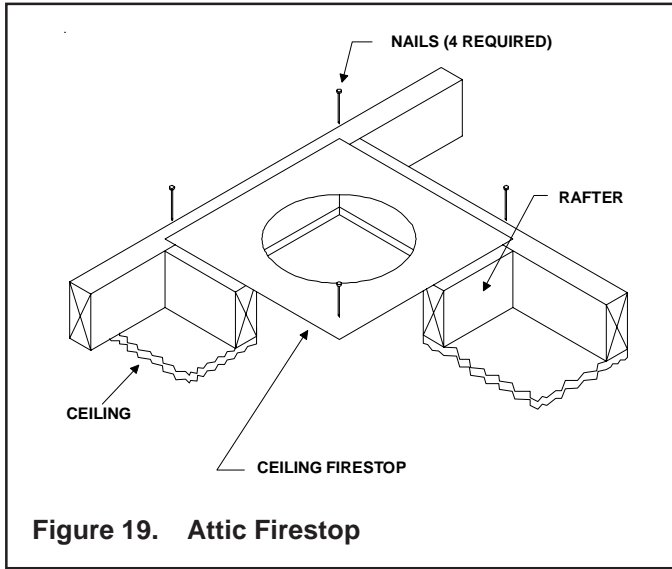


Figure 19. Attic Firestop

## C. Vent Termination

**For Horizontal Terminations** - To attach and secure the termination to the last section of horizontal vent refer to the Cinch Pipe and Termination Cap installation instructions.

- Push and snap-lock the ends as described at the beginning of the Installing Vent Components section.
- The termination kit should pass through the wall firestops from the exterior of the building.
- Adjust the termination cap to its final exterior position on the building.



**WARNING: THE TERMINATION CAP MUST BE POSITIONED SO THAT THE ARROW IS POINTING UP.**

For trapezoidal cap termination kits:

- Using screws secure the cap to the exterior wall through the flanges in the cap.



**WARNING: VENTING TERMINALS SHALL NOT BE RECESSED INTO A WALL OR SIDING. VENT TERMINATION CLEARANCES MUST BE FOLLOWED TO AVOID FIRE DANGER. SEE VENT TERMINATION MINIMUM CLEARANCES DIAGRAM ON THE FOLLOWING PAGE.**

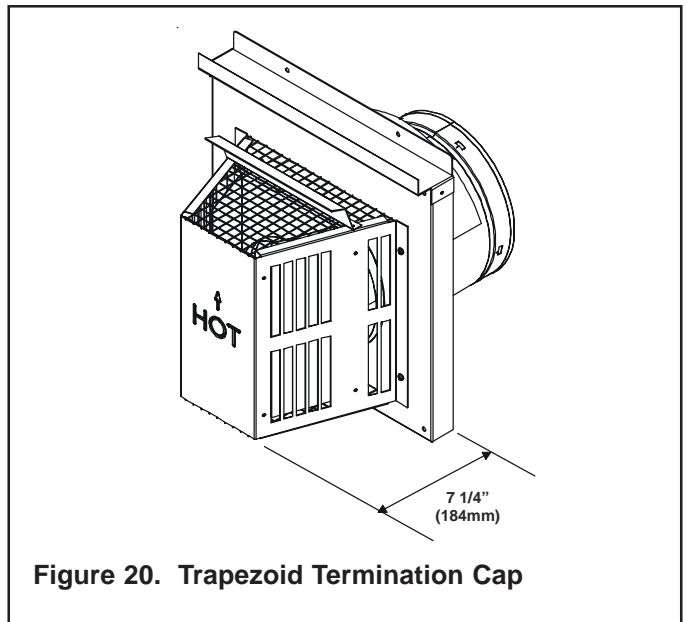
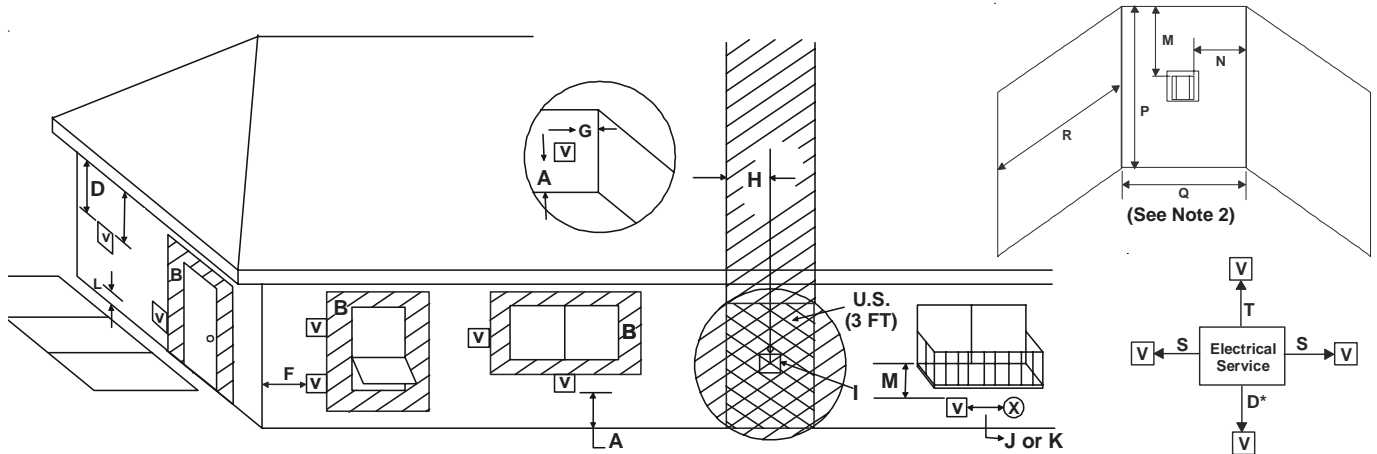


Figure 20. Trapezoid Termination Cap



**V** = VENT TERMINAL

**X** = AIR SUPPLY INLET

**[Hatched]** = AREA WHERE TERMINAL IS NOT PERMITTED

- A = 12" ..... clearances above grade, veranda, porch, deck or balcony  
(See Note 1)
- B = 12" ..... clearances to window or door that may be opened, or to permanently closed window.
- D\* = 18" ..... vertical clearance to unventilated soffit or to ventilated soffit located above the terminal  
\*30" ..... for vinyl clad soffits and below electrical service
- F = 9" ..... clearance to outside corner
- G = 6" ..... clearance to inside corner
- H = 3 ft. (Canada) ..... not to be installed above a gas meter/regulator assembly within 3 feet (90cm) horizontally from the center-line of the regulator
- I = 3 ft. (U.S.A.)  
6 ft. (Canada) ..... clearance to gas service regulator vent outlet
- J = 9" (U.S.A.)  
12" (Canada) ..... clearance to non-mechanical air supply inlet to building or the combustion air inlet to any other appliance

- K = 3 ft. (U.S.A.)  
6 ft. (Canada) ..... clearance to a mechanical air supply inlet
- L\*\* = 7 ft. ..... clearance above paved sidewalk or a paved driveway located on **public** property  
(See Note 1)
- M\*\*\* = 18" ..... clearance under veranda, porch, deck, balcony or overhang  
42" ..... vinyl
- N = 6" ..... non-vinyl sidewalls  
12" ..... vinyl sidewalls
- P = 8 ft.

	<b>Q<sub>MIN</sub></b>	<b>R<sub>MAX</sub></b>
1 cap	3 feet	2 x Q <sub>ACTUAL</sub>
2 caps	6 feet	1 x Q <sub>ACTUAL</sub>
3 caps	9 feet	2/3 x Q <sub>ACTUAL</sub>
4 caps	12 feet	1/2 x Q <sub>ACTUAL</sub>
<b>Q<sub>MIN</sub> = # termination caps x 3</b>		<b>R<sub>MAX</sub> = (2 / # termination caps) x Q<sub>ACTUAL</sub></b>

- S = 6" ..... clearance from sides of electrical service  
(See Note 5)
- T = 12" ..... clearance above electrical service  
(See Note 5)

\*\* a vent shall not terminate directly above a sidewalk or paved driveway which is located between two single family dwellings and serves both dwellings.

\*\*\* only permitted if veranda, porch, deck or balcony is fully open on a minimum of 2 sides beneath the floor, or meets Note 2.

**NOTE 1:** On private property where termination is less than 7 feet above a sidewalk, driveway, deck, porch, veranda or balcony, use of a listed cap shield is suggested.

**NOTE 2:** Termination in an alcove space (spaces open only on one side and with an overhang) are permitted with the dimensions specified for vinyl or non-vinyl siding and soffits. **1.** There must be 3 feet minimum between termination caps. **2.** All mechanical air intakes within 10 feet of a termination cap must be a minimum of 3 feet below the termination cap. **3.** All gravity air intakes within 3 feet of a termination cap must be a minimum of 1 foot below the termination cap.

**NOTE 3:** Local codes or regulations may require different clearances.

**NOTE 4:** Termination caps may be hot. Consider their proximity to doors or other traffic areas.

**NOTE 5:** Location of the vent termination must not interfere with access to the electrical service.

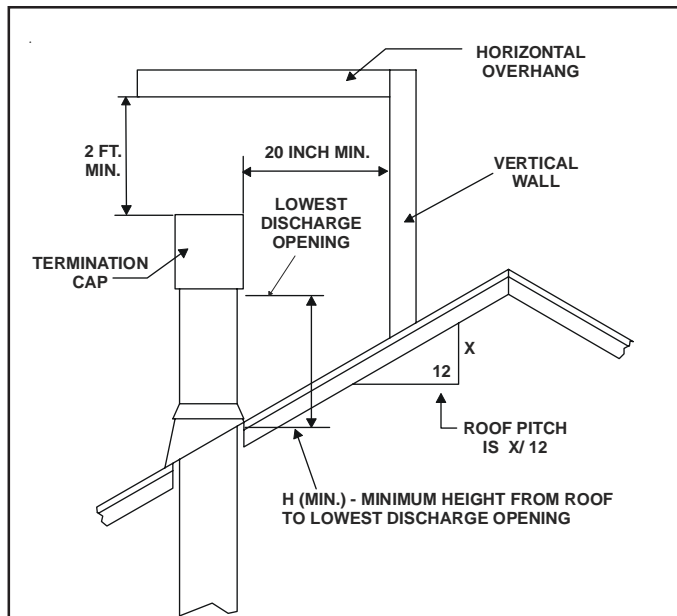
**WARNING: In the U.S:** Vent system termination is **NOT** permitted in screened porches. You must follow side wall, overhang and ground clearances as stated in the instructions.

**In Canada:** Vent system termination is **NOT** permitted in screened porches. Vent system termination is permitted in porch areas with two or more sides open. You must follow all side walls, overhang and ground clearances as stated in the instructions.

Heat & Glo assumes no responsibility for the improper performance of the fireplace when the venting system does not meet these requirements.

**Figure 21. Vent Termination Minimum Clearances**

**CAUTION: IF EXTERIOR WALLS ARE FINISHED WITH VINYL SIDING, IT IS SUGGESTED THAT A VINYL PROTECTOR KIT BE INSTALLED.**



Roof Pitch	H (min.) ft.
flat to 6/12	1.0
6/12 to 7/12	1.25
over 7/12 to 8/12	1.5
over 8/12 to 9/12	2.0
over 9/12 to 10/12	2.5
over 10/12 to 11/12	3.25
over 11/12 to 12/12	4.0
over 12/12 to 14/12	5.0
over 14/12 to 16/12	6.0
over 16/12 to 18/12	7.0
over 18/12 to 20/12	7.5
over 20/12 to 21/12	8.0

**Figure 22. Minimum Height from Roof to Lowest Discharge Opening**

**For Vertical Terminations** - To locate the vent and install the vent sections:

- Locate and mark the vent centerpoint on the underside of the roof, and drive a nail through the centerpoint.
- Make the outline of the roof hole around the centerpoint nail.
- The size of the roof hole framing dimensions depend on the pitch of the roof. There **MUST BE** a 1-inch (25.4mm) clearance from the vertical vent pipe to combustible materials.
- Mark the roof hole accordingly.
- Cover the opening of the installed vent pipes.
- Cut and frame the roof hole.
- Use framing lumber the same size as the roof rafters and install the frame securely. Flashing anchored to the frame must withstand heavy winds.
- Continue to install concentric vent sections up through the roof hole (for inside vent installations) or up past the roof line until you reach the appropriate distance above the roof (for outside terminations).



**WARNING: MAJOR U.S. BUILDING CODES SPECIFY MINIMUM CHIMNEY AND/OR VENT HEIGHT ABOVE THE ROOF TOP. THESE MINIMUM HEIGHTS ARE NECESSARY IN THE INTEREST OF SAFETY. SEE THE PREVIOUS DIAGRAM FOR MINIMUM HEIGHTS, PROVIDED THE TERMINATION CAP IS AT LEAST 20 INCHES FROM A VERTICAL WALL AND 2-FEET BELOW A HORIZONTAL OVERHANG.**

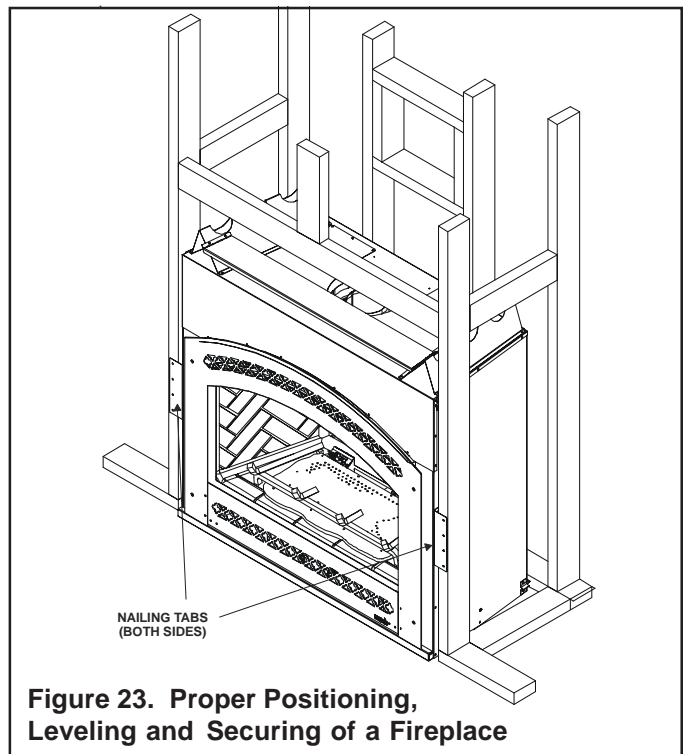
**NOTE: This also pertains to vertical vent systems installed on the outside of the building.**

To seal the roof hole, and to divert rain and snow from the vent system:

- Attach a flashing to the roof using nails, and use a non-hardening mastic around the edges of the flashing base where it meets the roof.
- Attach a storm collar over the flashing joint to form a water-tight seal. Place non-hardening mastic around the joint, between the storm collar and the vertical pipe.
- Slide the termination cap over the end of the vent pipe and snap into place.

#### Step 4. Positioning, Leveling and Securing the Fireplace

The diagram below shows how to properly position, level, and secure the fireplace.



**Figure 23. Proper Positioning, Leveling and Securing of a Fireplace**

- Place the fireplace into position.
- Level the fireplace from side to side and front to back.
- Shim the fireplace with non-combustible material, such as sheet metal, as necessary.
- Secure the fireplace to the framing by nailing or screwing.

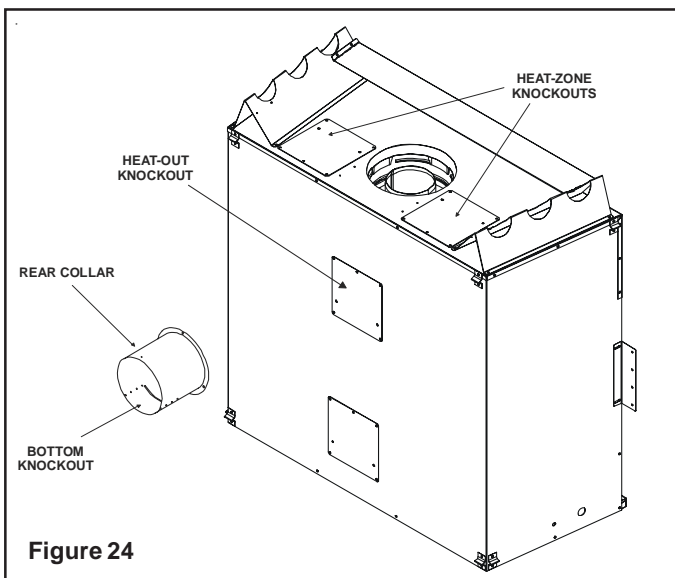
## Step 5. Installing the Optional Heat-Out or Heat-Zone Kits

### Heat-Out Kit

1. Remove the Heat-Out knockout from the fireplace and discard it (see Figure 24).
2. Center the rear collar around the exposed hole and attach it to the fireplace with 3 screws. **NOTE:** Remove the bottom knockout on the collar for typical 2 x 4 or 2 x 6 wall construction. See Figure 24.
3. Cut and frame a 12" wide x 10" tall (305 x 254mm) hole in the exterior wall. The center of the hole will be 22-15/16" (583mm) above the base of the fireplace. See Figure 3.
4. Install the interior firestop with the hole towards the top. Secure the firestop to wall framing members.

Reference the Heat-Out kit instructions for the remaining installations steps.

**NOTE:** There must be NO INSULATION or other combustibles inside the framed firestop opening.



### Heat-Zone Kit

1. Remove the knockout from the top of the fireplace and discard it (see Figure 24).
2. Center the duct collar around the exposed hole and attach it to the fireplace with 3 screws. **NOTE:** Do this **BEFORE** final positioning of the fireplace.
3. Determine the location for the air register/fan housing assembly.

Reference the Heat-Zone kit instructions for the remaining installations steps.

## Step 6 The Gas Control System



**WARNING: THIS UNIT IS NOT FOR USE WITH SOLID FUEL.**

The type of gas control system used with this model is *Intermittent Pilot Ignition*.

### Intermittent Pilot Ignition System

This system includes millivolt control valve, standing pilot, thermopile/thermocouple flame sensor, and piezo ignitor.



**WARNING: 110-120 VAC MUST NEVER BE CONNECTED TO A CONTROL VALVE IN A MILLIVOLT SYSTEM.**



**WARNING: CONTINUOUS 110-120 VAC SERVICE MUST BE WIRED DIRECTLY TO THE FIREPLACE JUNCTION BOX.**

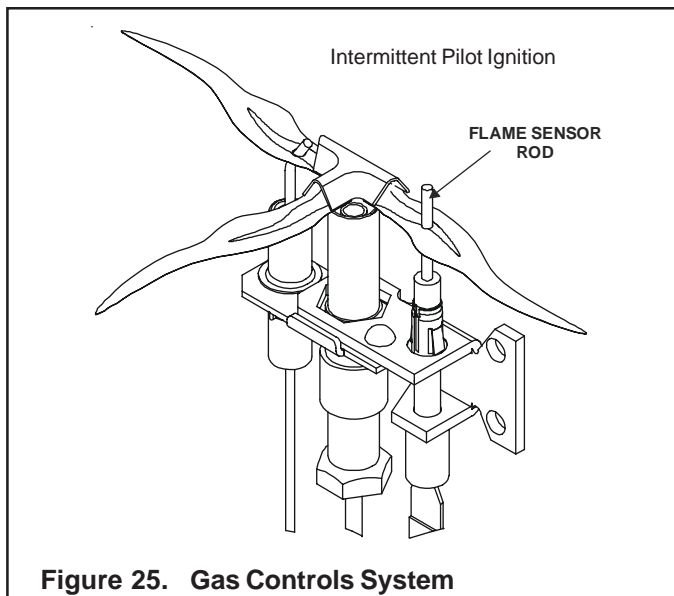


Figure 25. Gas Controls System

## Step 7. The Gas Supply Line

**NOTE:** Have the gas supply line installed in accordance with local building codes by a qualified installer approved and/or licensed as required by the locality. (In the Commonwealth of Massachusetts installation must be performed by a licensed plumber or gas fitter).

**NOTE:** Before the first firing of the fireplace, the gas supply line should be purged of any trapped air.

**NOTE:** Consult local building codes to properly size the gas supply line leading to the 1/2 inch (13mm) hook-up at the unit.

This gas fireplace is designed to accept a 1/2 inch (13 mm) gas supply line. To install the gas supply line:

- A listed (and Commonwealth of Massachusetts approved) 1/2 inch (13mm) tee-handle manual shut-off valve and a listed flexible gas connector are connected to the 1/2 inch (13mm) inlet of the control valve. **NOTE:** If substituting for these components, please consult local codes for compliance.
- Locate the gas line access hole in the outer casing of the fireplace.
- The gas line may be run from either side of the fireplace provided the hole in the outer wrap does not exceed 2 1/2" in diameter and it does not penetrate the actual firebox.
- The gap between the supply piping and gas access hole can be plugged with non-combustible insulation to prevent cold air infiltration.
- Open the fireplace lower grille, insert the gas supply line through the gas line hole, and connect it to the shut-off valve.
- When attaching the pipe, support the control so that the lines are not bent or torn.
- After the gas line installation is complete, all connections must be tightened and checked for leaks with a commercially-available, non-corrosive leak check solution. Be sure to rinse off all leak check solution following testing.



**WARNING: DO NOT USE AN OPEN FLAME TO CHECK FOR GAS LEAKS.**

- At the gas line access hole, use insulation to re-pack the space around the gas pipe.
- Insert insulation from the outside of the fireplace and pack the insulation tightly to totally seal between the pipe and the outer casing.

## Step 8. Gas Pressure Requirements

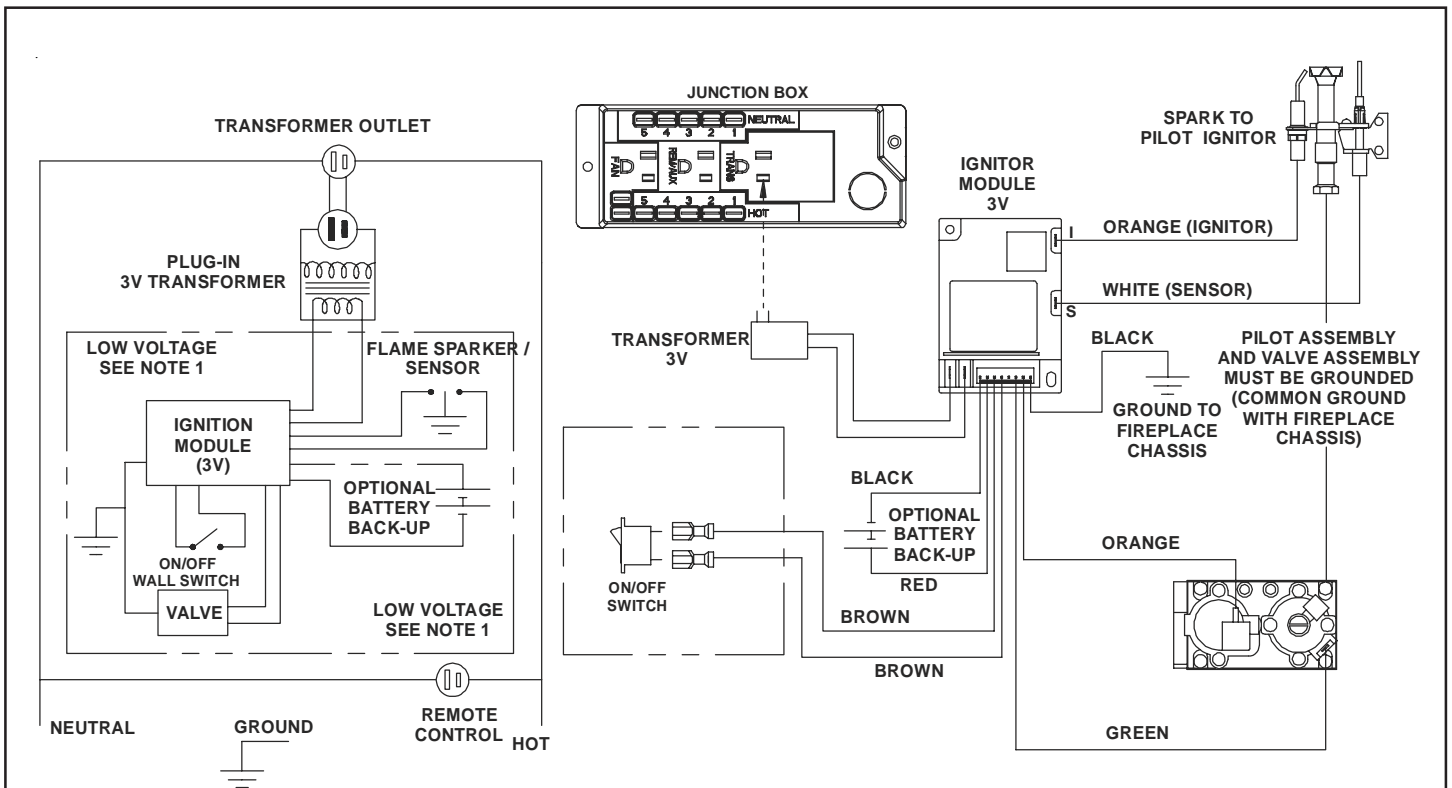
Pressure requirements for Heat & Glo gas fireplaces are shown in the table below.

Pressure	Natural Gas	Propane
Minimum Inlet Pressure	5.0 inches w.c.	11.0 inches w.c.
Maximum Inlet Gas Pressure	14.0 inches w.c.	14.0 inches w.c.
Manifold Pressure	3.5 inches w.c.	10.0 inches w.c.

A one-eighth (1/8) inch (3 mm) N.P.T. plugged tapping is provided on the inlet and outlet side of the gas control for a test gauge connection to measure the manifold pressure. Use a small flat blade screwdriver to crack open the screw in the center of the tap. Position a rubber hose over the tap to obtain the pressure reading.

The fireplace and its individual shut-off valve must be disconnected from the gas supply piping system during any pressure testing of the system at test pressures in excess of one-half (1/2) psig (3.5 kPa).

The fireplace must be isolated from the gas supply piping system by closing its individual shut-off valve during any pressure testing of the gas supply piping system at test pressures equal to or less than one-half (1/2) psig (3.5 kPa).



**NOTE 1:** Ignition module, valve, pilot and wall switch operate on 3 volts.  
120 VAC is required at junction box unless equipped with battery back-up.

**Figure 26. Intermittent Pilot Ignition (IPI) Wiring Diagram**

## Step 9. Wiring the Fireplace

### Intermittent Pilot Ignition (IPI) Wiring

#### 3 Volt Transformer

This appliance comes with a factory installed 3 volt transformer.

#### Operation with Battery Back-up

This appliance comes with a factory installed battery back-up.

#### Appliance Requirements

This appliance requires that 110-120 VAC be wired to the factory installed junction box. Maintain correct polarity when wiring the junction box.



**WARNING: DO NOT CONNECT 110-120 VAC TO THE GAS CONTROL VALVE OR THE APPLIANCE WILL MALFUNCTION AND THE VALVE WILL BE DESTROYED.**

#### Optional Accessories

Optional remote control kits require that 110-120 VAC be wired to the factory installed junction box before the fireplace is permanently installed.

Heat-Zone and Heat-Out kits are approved with this fireplace as heat management accessories.

#### Wall Switch

Position the wall switch in the desired position on a wall. Run a maximum of 25 feet (7.8 m) or less length of 18 A.W.G. minimum wire and connect it to the fireplace ON/OFF switch pigtailed.



**WARNING: DO NOT CONNECT 110-120 VAC TO THE WALL SWITCH OR THE CONTROL VALVE WILL BE DESTROYED.**

**CAUTION: LABEL ALL WIRES PRIOR TO DISCONNECTION WHEN SERVICING CONTROLS. WIRING ERRORS CAN CAUSE IMPROPER AND DANGEROUS OPERATION. VERIFY PROPER OPERATION AFTER SERVICING.**



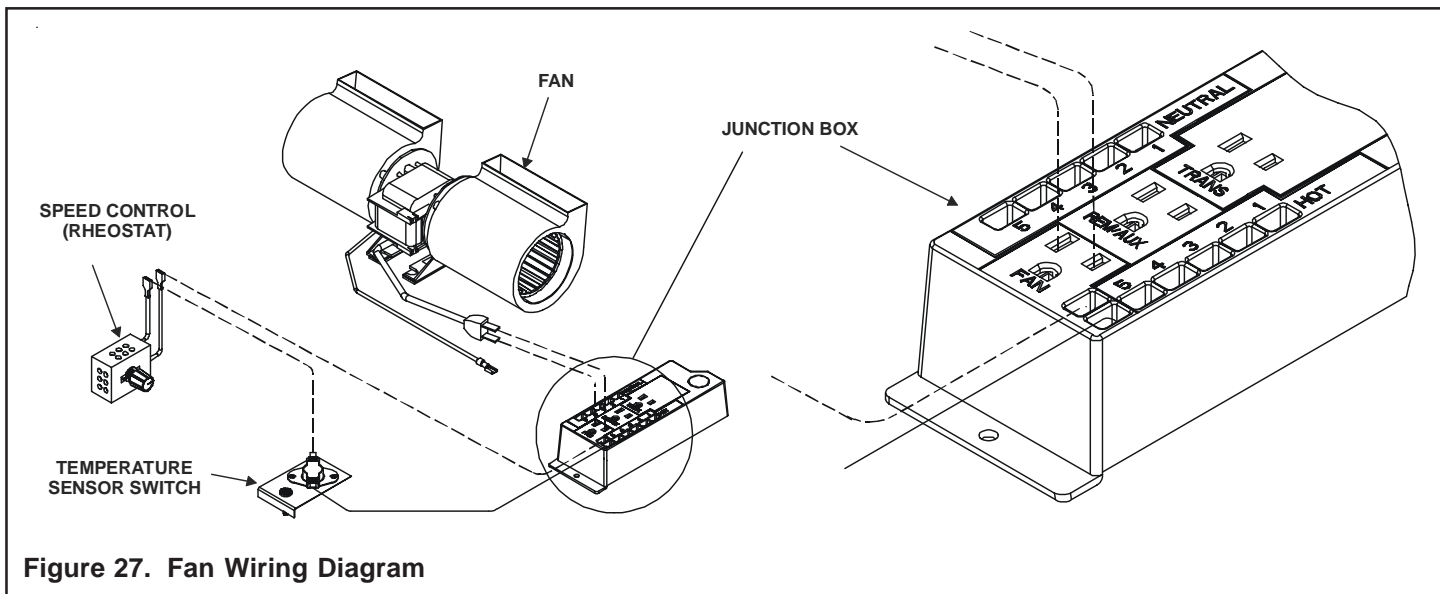


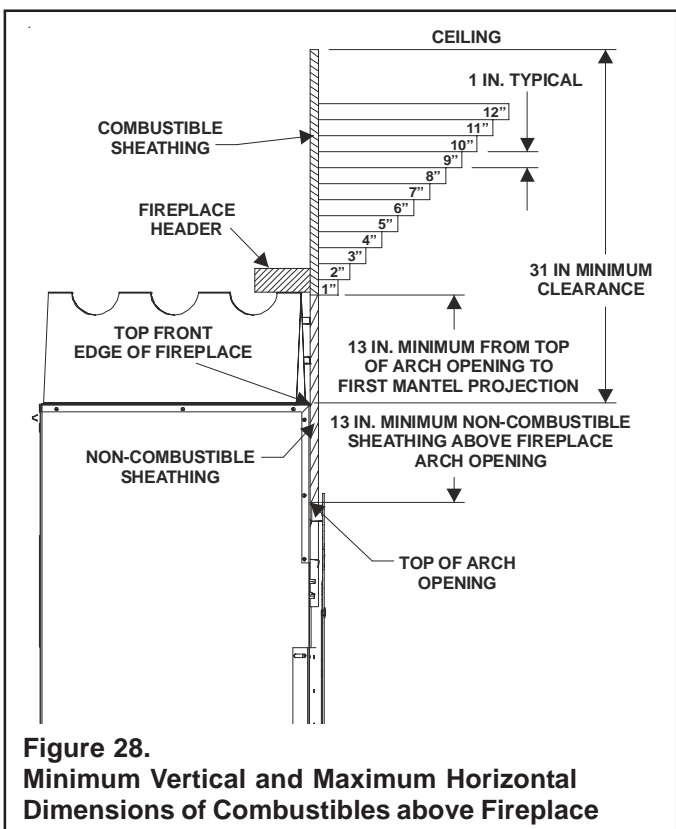
Figure 27. Fan Wiring Diagram

### Step 10. Finishing

Figure 28 shows the minimum vertical and corresponding maximum horizontal dimensions of fireplace mantels or other combustible projections above the top front edge of the fireplace. See Figures 2 and 3 for other fireplace clearances.

Only non-combustible materials may be used to cover the black fireplace front.

**WARNING: WHEN FINISHING THE FIREPLACE, NEVER OBSTRUCT OR MODIFY THE AIR INLET/OUTLET GRILLES IN ANY MANNER.**



→ Figure 28. Minimum Vertical and Maximum Horizontal Dimensions of Combustibles above Fireplace

**CAUTION: IF JOINTS BETWEEN THE FINISHED WALLS AND THE FIREPLACE SURROUND (TOP AND SIDES) ARE SEALED, A 300° F. MINIMUM SEALANT MATERIAL MUST BE USED. THESE JOINTS ARE NOT REQUIRED TO BE SEALED. ONLY NON-COMBUSTIBLE MATERIAL (USING 300° F. MINIMUM ADHESIVE, IF NEEDED) CAN BE APPLIED AS FACING TO THE FIREPLACE SURROUND. SEE THE DIAGRAM BELOW.**

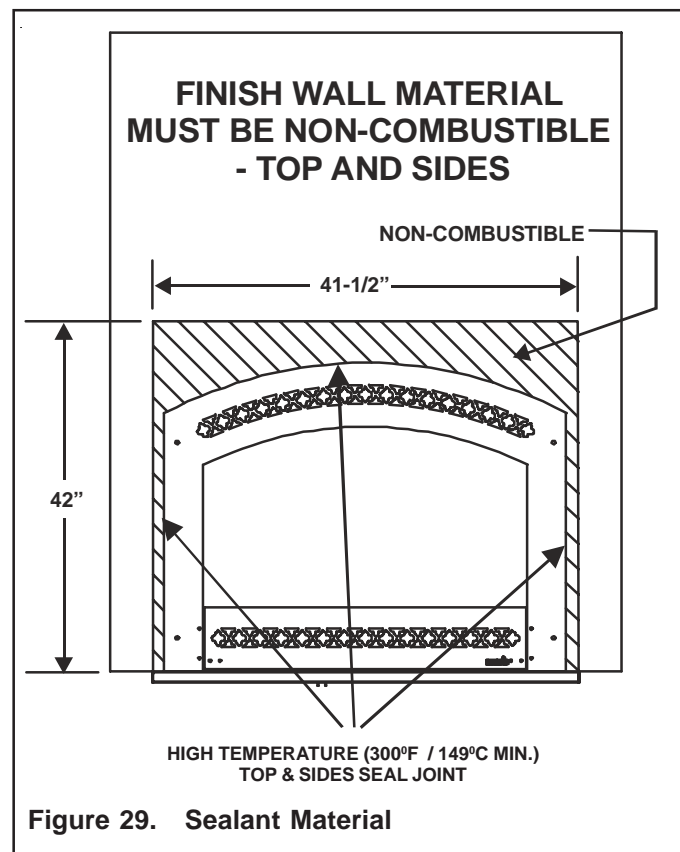


Figure 29. Sealant Material ←

**WARNING: A 8" minimum hearth extension is required to protect combustible floor construction in front of the fireplace. This hearth must be constructed of non-combustible material and extend the width of the fireplace.**

## Facing Requirements

### Facing Thickness from 3/4" to 1-1/4"

Facing material within this thickness range can be brought to 1/2" behind the door top and sides. These non-combustible finishing materials must never overlap or obstruct the air outlet/inlet grille areas.

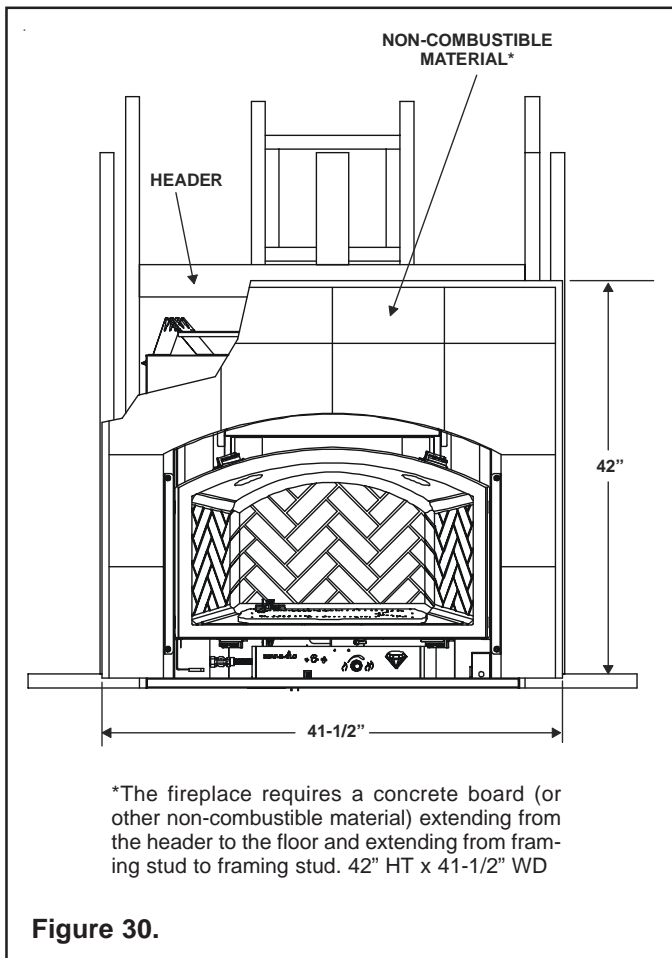


Figure 30.

### IMPORTANT INSTALLATION NOTE

Please note that there are four holes or dots on the template to assist in positioning the template. These holes or dots should line up with the door mounting holes on the unit to ensure proper placement of the door after finishing materials are installed.

### Facing Thickness greater than 1-1/4"

For facing material greater than 1-1/4" a template should be constructed to provide the finishers with a guide so as to leave a 1/8" gap between the finishing materials and the door. See Figure 31 to construct the facing template.

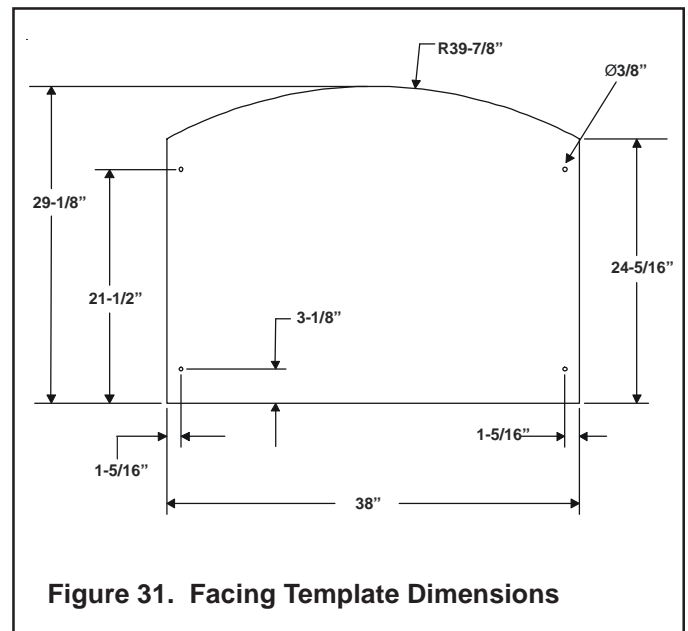


Figure 31. Facing Template Dimensions

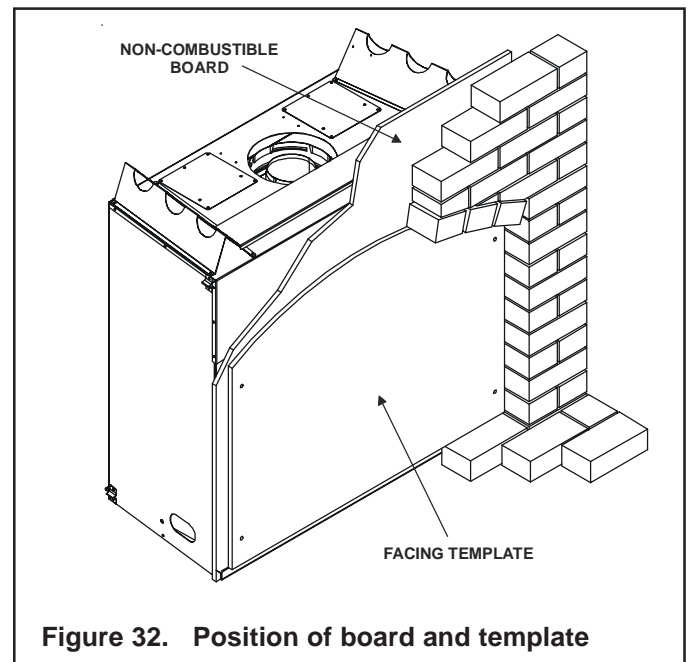


Figure 32. Position of board and template

## Step 11. Installing Trim, Logs, and Ember Material

### Installing the Trim

Combustible materials may be brought up to the specified clearances on the side and top front edges of the fireplace, but **MUST NEVER** overlap onto the front face. The joints between the finished wall and the fireplace top and sides can only be sealed with a 300° F. (149° C) minimum sealant.

**WARNING: WHEN FINISHING THE FIREPLACE, NEVER OBSTRUCT OR MODIFY THE AIR INLET/OUTLET GRILLES IN ANY MANNER.**

Install optional marble and brass trim surround kits as desired. Marble, brass, brick, tile, or other non-combustible materials can be used to cover up the gap between the sheet rock and the fireplace.

Do not obstruct or modify the air inlet/outlet grilles. When overlapping on both sides, leave enough space so that the bottom grille can be lowered and the trim door removed.

### Positioning the Logs

If the gas logs have been factory installed they should not need to be positioned. If the logs have been packaged separately, refer to the instructions that accompany the logs. **Save the log instructions with this manual.**

If sooting occurs, the logs might need to be repositioned slightly to avoid excessive flame impingement.

### Placing the Ember Material

Ember material is shipped with this gas fireplace. To place the ember material:

- Pull the four glass latches out of the groove on the glass frame. Remove glass door from the unit (see Figure 33).
- Embers **CANNOT** be placed directly over ports. Care should be taken not to cover the lighting trail of ports (from back to front).
- • Place dime size pieces of mineral wool embers about 1/2 inch apart near port holes in burner top. Do **NOT** press embers into burner ports. Cover the top of the burner with a single layer of ember material. For best performance do **NOT** place embers on the ports at the rear of the burner (Figure 33). Failure to follow this procedure will likely cause lighting and sooting problems.

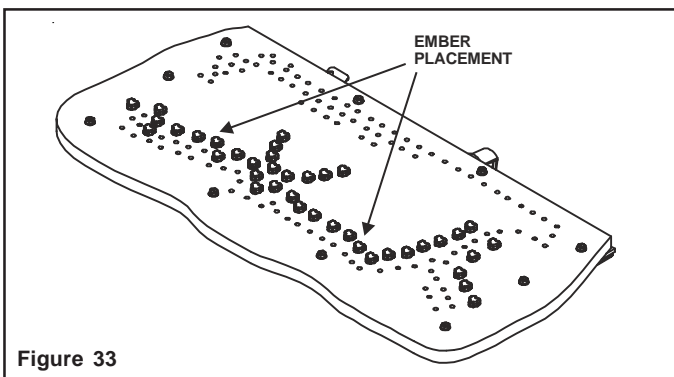


Figure 33

- Save the remaining ember materials for use during fireplace servicing.
- Replace the glass door and a front trim door on the unit.
- Pull out and latch the glass clips into the groove on the glass frame.

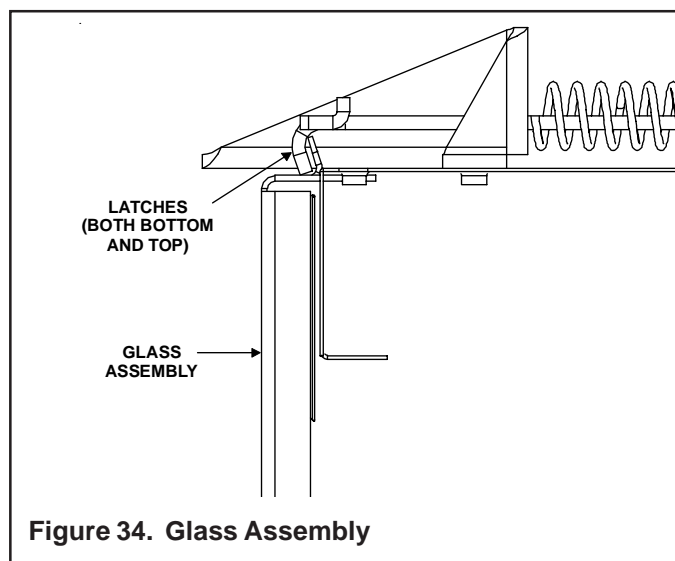


Figure 34. Glass Assembly

### Glass Specifications:

**GEM42: CERAMIC**

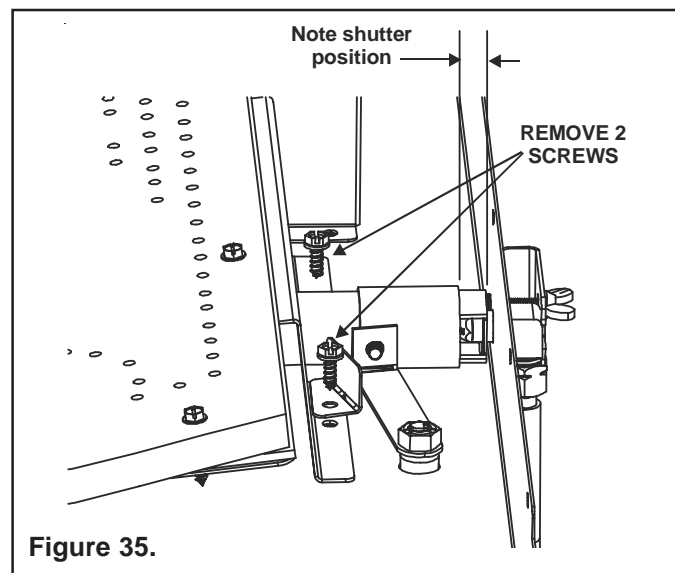


Figure 35.

### Burner Removal

Note the position of the shutter and shutter stop bracket (Figure 35). This will need to be re-set after replacing the burner.

Remove the burner from the fireplace as shown in Figure 35. Remove the burner assembly by first removing the screws (2) that secure it behind the burner surface. Slide the adjustable shutter towards the rear of the fireplace (closed position). Lift the burner up and towards you to remove.

## Step 12. Before Lighting the Fireplace

**Before** lighting the fireplace, be sure to do the following:

**Remove all paperwork from underneath the fireplace.**

**Review safety warnings and cautions**

- Read the **Safety and Warning Information** section at the beginning of this *Installers Guide*.

**Double-check for gas leaks**

- Before lighting the fireplace, double-check the unit for possible gas leaks.

**Double-check vent terminations and front grilles for obstructions.**

- Before lighting the fireplace, double-check the unit for possible obstructions that could be blocking the vent terminations or the front grilles.

**Double-check for faulty components**

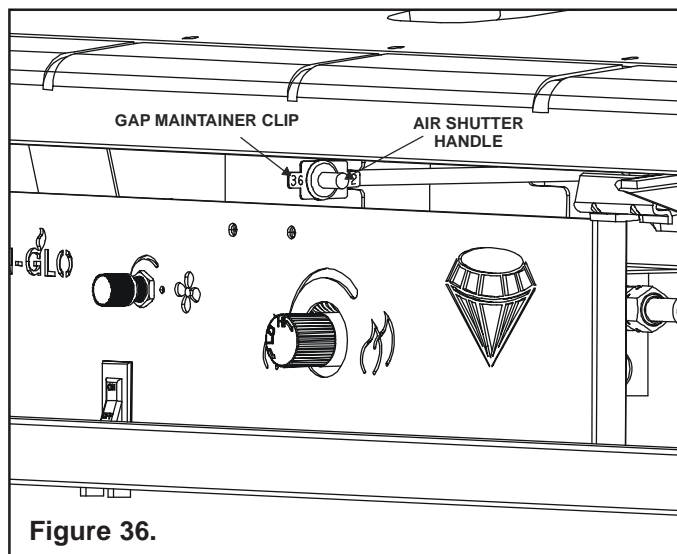
- Any component that is found to be faulty **MUST BE** replaced with an approved component. Tampering with the fireplace components is **DANGEROUS** and voids all warranties.

A small amount of air will be in the gas supply lines. When first lighting the fireplace, it will take a few minutes for the lines to purge themselves of this air. Once the purging is complete, the fireplace will light and will operate normally.

Subsequent lightings of the fireplace will not require this purging of air from the gas supply lines, **unless the gas valve has been turned to the OFF position**, in which case the air would have to be purged.

**NOTE:** The fireplace should be run 3 to 4 hours on the initial start-up. Turn it off and let it cool completely. Remove and clean the glass. Replace the glass and run the fireplace for an additional 8 hours. This will help to cure the products used in the paint and logs.

During this break-in period it is recommended that some windows in the house be opened for air circulation. This will help avoid setting off smoke detectors, and help eliminate any odors associated with the fireplace's initial burning.




## Air Shutter Setting

This fireplace has an adjustable air shutter (which controls the primary air) factory set for the minimum vertical vent run (see Figure 36). If your installation has more than the minimum required vertical vent length, adjustment of the air shutter may be necessary to obtain optimal flame appearance. **This should be adjusted by a qualified installer at the time of installation.**

The air shutter handle has a gap maintainer clip factory installed which needs to be removed to make any adjustments. By pushing the air shutter handle in, you will be closing the air shutter. Care should be taken when adjusting the air shutter so as not to cause the fireplace to soot. If sooting occurs the air shutter will need to be opened by pulling the handle out.

## Step 13. Lighting the Fireplace

You've reviewed all safety warnings, you've checked the fireplace for gas leaks, you know the vent system is unobstructed, and you've checked for faulty components. Now you're ready to light the fireplace.

 **WARNING: PLEASE REFER TO THE USER'S MANUAL FOR ALL CAUTIONS, SAFETY, AND WARNING INFORMATION PERTAINING TO THE LIGHTING AND OPERATION OF THE FIREPLACE.**

## After the Installation

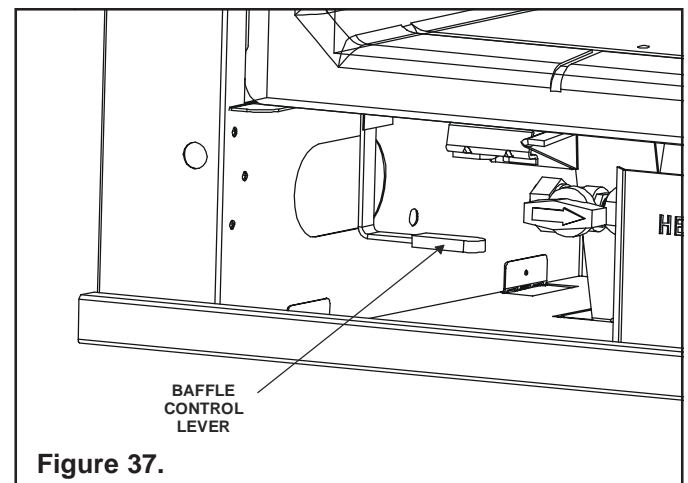
 **LEAVE THIS INSTALLATION MANUAL WITH THE APPLIANCE FOR FUTURE REFERENCE.**

## Step 14. Climate Control

This model is equipped with a baffle which will allow you to control the usable heat output. The baffle control lever is located at the lower left corner of the unit behind the lower grille.

**MORE HEAT:** Pull handle down and push back to close the damper.

**LESS HEAT:** Pull handle forward and push up to open the damper.



# 4

## Maintaining and Servicing Your Fireplace

---

### Fireplace Maintenance

Although the frequency of your fireplace servicing and maintenance will depend on use and the type of installation, you should have a qualified service technician perform an appliance check-up at the beginning of each heating season. See the table below for specific guidelines regarding each fireplace maintenance task.

#### **IMPORTANT: TURN OFF THE GAS BEFORE SERVICING YOUR FIREPLACE.**

#### **Replacing old ember material**

**Frequency:** Once annually, during the checkup.

**By:** Qualified service technician.

**Task:** Brush away loose ember material near the burner. Replace old ember material with new dime-size and shape pieces. Save the remaining ember material and repeat this procedure at your next servicing. For more information, see **Placing Ember Material**.

#### **Cleaning Burner and Controls**

**Frequency:** Once annually.

**By:** Qualified service technician.

**Task:** Brush or vacuum the control compartment, fireplace logs and burner areas surrounding the logs.

#### **Cleaning Flame Sensor Rod (IPI Systems)**

**Frequency:** Periodically.

**By:** Qualified service technician.

**Task:** Make a visual check of the straight flame sensor rod (see Figure 25). Use emery cloth to carefully remove any existing film or white deposits.

#### **Checking Flame Patterns, Flame Height**

**Frequency:** Periodically.

**By:** Qualified service technician/Home owner.

**Task:** Make a visual check of your fireplace's flame patterns. Make sure the flames are steady - not lifting or floating. The thermopile/thermocouple tips should be covered with flame. See Figure 25.

#### **Checking Vent System**

**Frequency:** Before initial use and at least annually thereafter, more frequently if possible.

**By:** Qualified service technician/Home owner.

**Task:** Inspect the external vent cap on a regular basis to ensure that no debris is interfering with the flow of air. Inspect entire vent system for proper function.

#### **Cleaning Glass Door**

**Frequency:** After the first 3 to 4 hours of use. As necessary after initial cleaning.

**By:** Home owner.

**Task:** Remove and clean glass after the first 3 to 4 hours of use. After the initial cleaning, clean as necessary, particularly after adding new ember (flame colorant) material. Film deposits on the inside of the glass door should be cleaned off using a household glass cleaner. **NOTE: DO NOT handle or attempt to clean the door when it is hot and DO NOT use abrasive cleaners.**