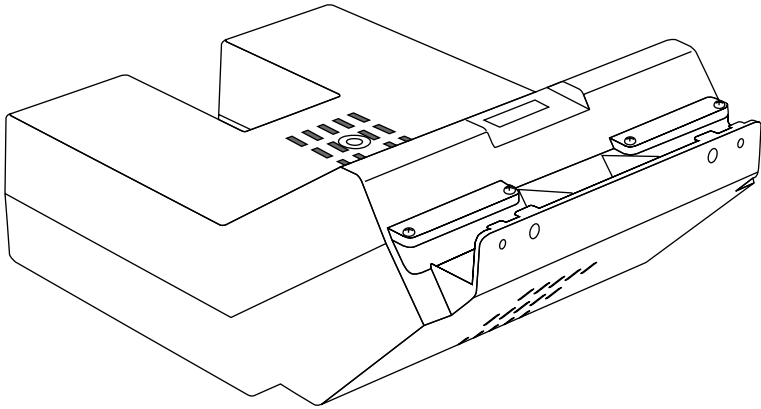


# **RB2030**

## **Rechargeable Battery**

for use with the  
**EXPEDITION**  
EX20 and EX30



**OWNERS MANUAL**  
and  
**INSTALLATION GUIDE**

***SAMSON***<sup>®</sup>

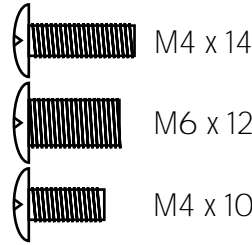
## Introduction

Thank you for purchasing the Samson RB2030 Rechargeable Battery for Expedition EX20 and EX30 cabinets. The RB2030 incorporates four 12VDC, 3.3A Gel Cells. A fully charged RB2030 should supply power to the EX20 or EX30 for 4–5 hours.

With proper care, your RB2030 will operate trouble free for many years. Please read the instructions carefully and note that your battery has been shipped uncharged.

## Parts List

RB2030 Gel Cell Battery	1
M4 x 14 Screws	2
M6 x 12 Screws	2



## Charging the Battery

Before using the RB2030, the Battery must be fully charged. After following the instructions for installation, connect the EX20 or EX30 to an outlet and turn the unit on. The battery will take 6–8 hours to fully charge. The battery level meter on the rear panel of your EX20 or EX30 will show a level only when the AC cord is disconnected.

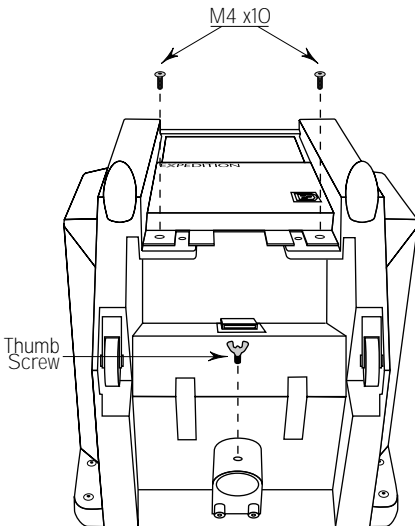


figure 1

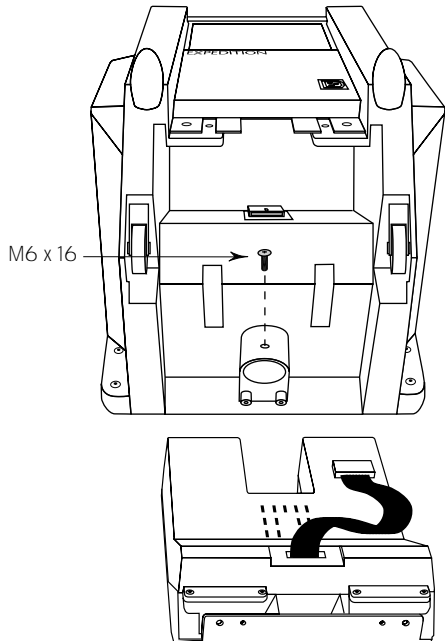


figure 2

## Instructions for Installation of Battery

- 1 With the rear of the Expedition cabinet facing you, lie the cabinet face down on a soft surface as not to scratch the front grille. (figure 1)
- 2 Using a phillips screwdriver, remove the two M4 x 10 lower rear panel screws (to be re-used in step 6) and pole mount thumb screw (figure 1) **NOTE:** If the cabinet is to be pole mounted, it should be secured to the pole at this time. You will not have access to the pole mounting screw after the battery is installed.
- 3 Replace thumb with the M6 x 16 screw (figure 2)
- 4 Align the battery as in figure 2 and set its legs in the bottom of the EX20 or EX30 as in figure 3.
- 5 Connect the Battery supply cable as in figure 3. **IMPORTANT! Both the connectors on the supply cable (from the battery) and plug (on the cabinet) are keyed. Be sure to connect the cable correctly or you'll risk shorting the battery which may result in fire and or internal amplifier failure.**
- 6 Lift the battery into place and screw the two M4 x 14 screws into the two outer holes and the two M6 x 12 screws in the inner holes on the battery lip. Use the two M4 x 10 screws (from step 2) to secure the bottom of the battery to the cabinet.

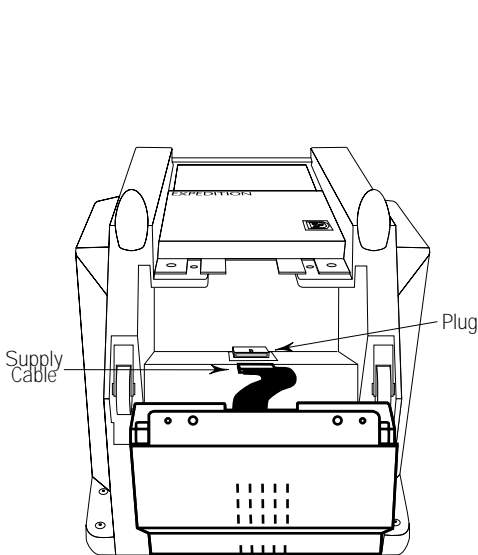


figure 3

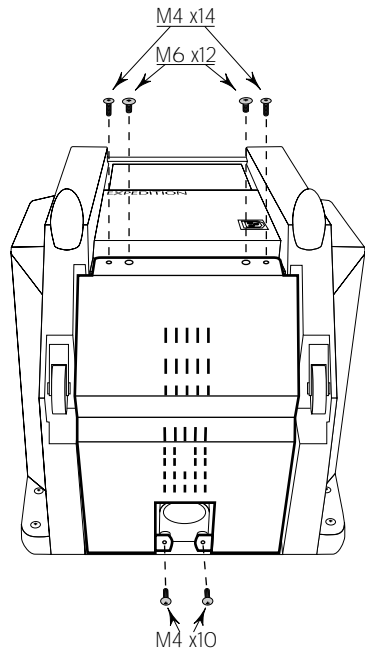


figure 4

If you experience any difficulties, or require further assistance, contact Samson Customer Service at 1-800-3SAMSON (1-800-372-6766) M–F 9AM to 5PM (eastern standard time). For more product information please visit our website at [www.samsontech.com](http://www.samsontech.com).

## Specifications

Type 4 x 12VDC, 3.3 Amp/Hours Gel Cell

Charging time 6–8 hours

Pin out for Cable and Charger (figure 5)

- Pin 1 NC
- Pin 2 CONTB (control one pin of relay for battery supply on/off)
- Pin 3 CONTA (control another pin of relay for battery supply on/off)
- Pin 4 VDC (Voltage supply for battery charging)
- Pin 5 AGND (Ground of Charger)
- Pin 6 -VBAT (Negative battery supply to power mon.)
- Pin 7 +VBAT (Plus battery supply to Power mon.)

Dimensions 8.25 in. (w) x 12.5 (d) x 5.25 (h)  
209.5 mm (w) x 317.5 (d) x 133.35 (h)

Weight 12.8 lbs.  
5.8 kg

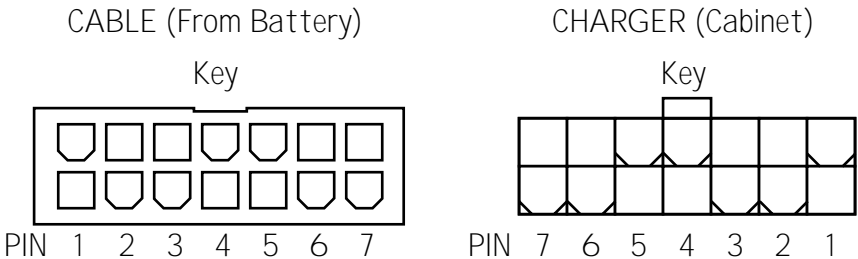


figure 5

specifications are subject to change without notice

©2000 Samson Technologies

# SAMSON

575 Underhill Blvd, P.O. Box 9031, Syosset, N.Y. 11791-9031  
Tel. 1-516-364-2244 Fax. 1-516-364-3888 [www.samsontech.com](http://www.samsontech.com)