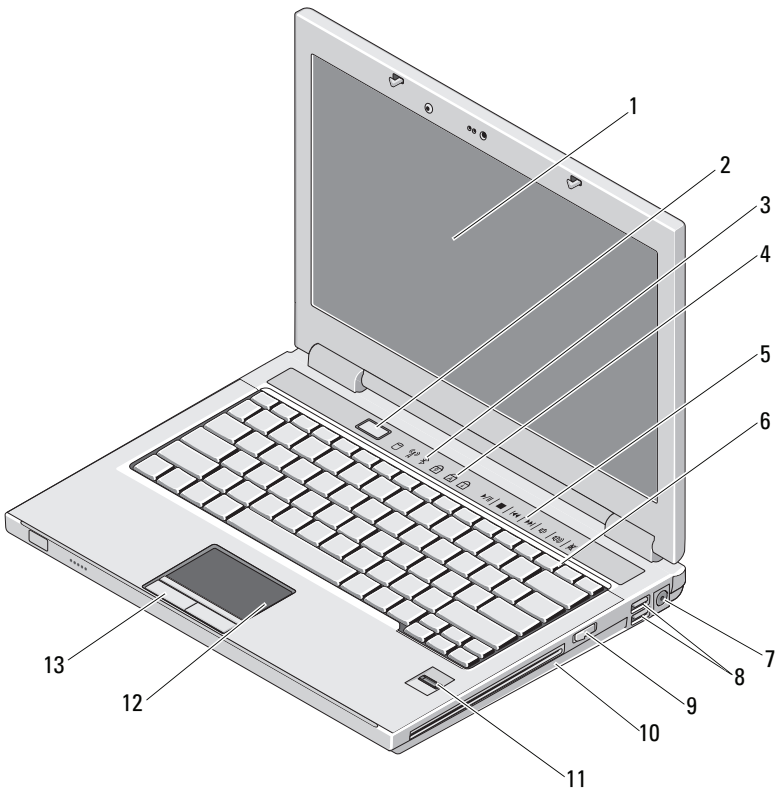




 **WARNING:** A WARNING indicates a potential for property damage, personal injury, or death.

Dell™ Vostro™ 1310/1510/1710/2510 Setup and Features Information

Vostro 1310



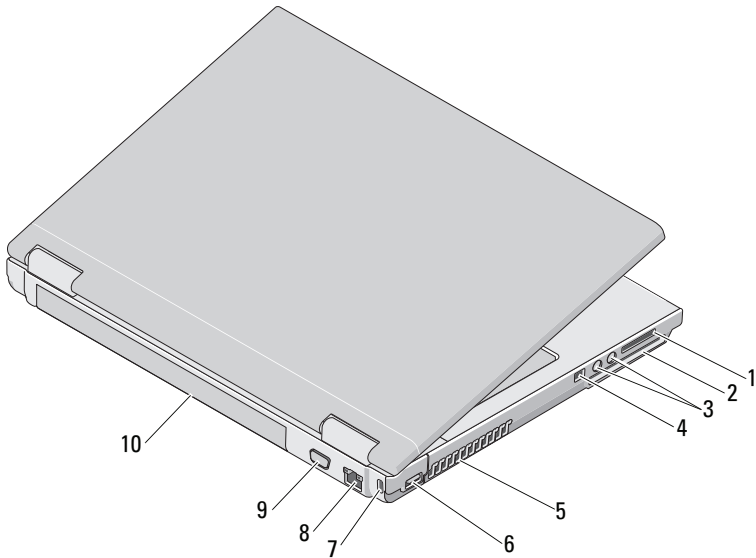
January 2009



0T607FA03

Models: PP36S, PP36L, PP36X

- | | | | |
|----|--|----|-------------------------|
| 1 | display | 2 | power button |
| 3 | device status lights | 4 | keyboard status lights |
| 5 | media controls (volume, forward, reverse, stop, play, and eject) | 6 | keyboard |
| 7 | AC adapter connector | 8 | USB connectors (2) |
| 9 | wireless switch | 10 | optical drive/media bay |
| 11 | fingerprint reader (optional) | 12 | touch pad |
| 13 | touch pad buttons (2) | | |

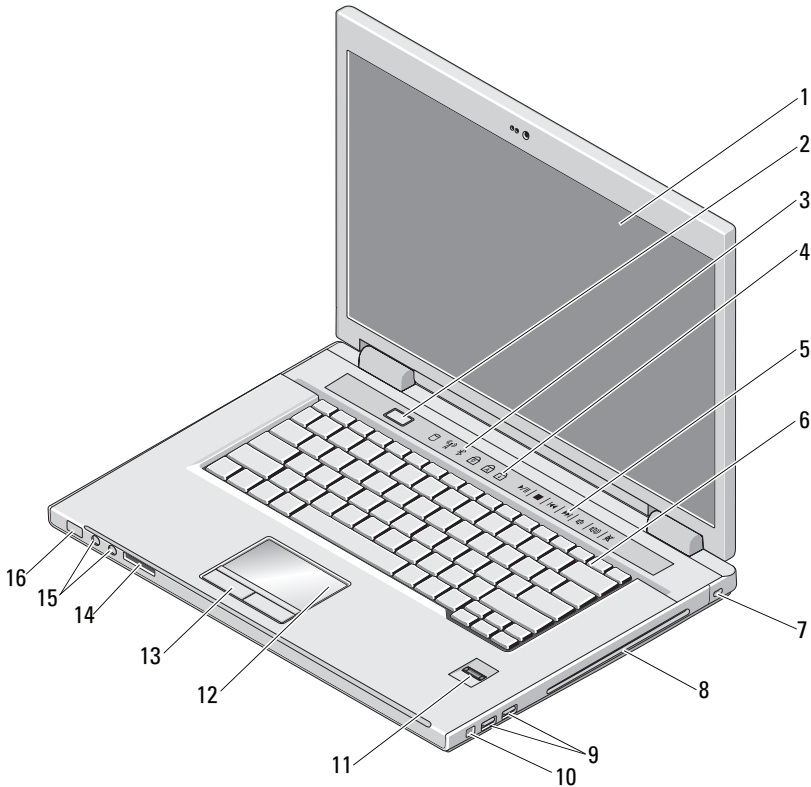


- | | | | |
|---|-------------------------|----|---------------------|
| 1 | 8-in-1 card reader slot | 2 | ExpressCard/54 slot |
| 3 | audio connectors (2) | 4 | IEEE 1394 connector |
| 5 | cooling vents | 6 | USB connector |
| 7 | security cable slot | 8 | network connector |
| 9 | video connector | 10 | battery |

Vostro 1510/2510

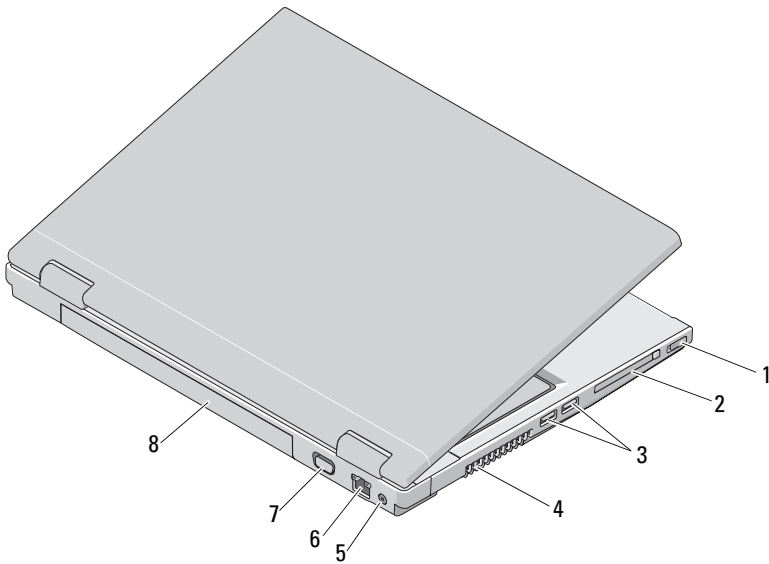


NOTE: The difference between Vostro 1510 and Vostro 2510 is the color of the chassis. The chassis color of Vostro 1510 is *Black* and the chassis color of Vostro 2510 is *Cherry Red*.



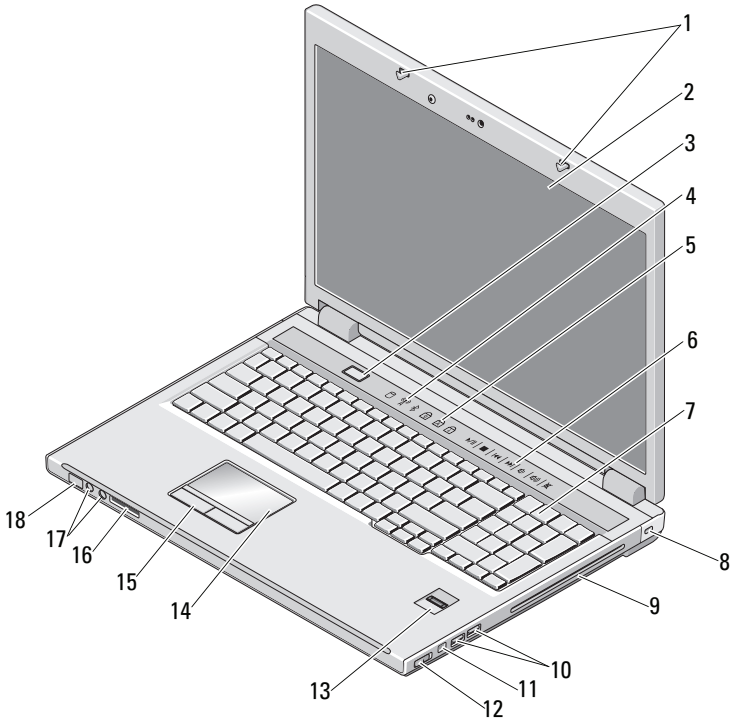
- | | | | |
|---|--|---|------------------------|
| 1 | display | 2 | power button |
| 3 | device status lights | 4 | keyboard status lights |
| 5 | media controls (volume, forward, reverse, stop, play, and eject) | 6 | keyboard |

- | | | | |
|----|-------------------------------|----|---------------------------------|
| 7 | security cable slot | 8 | optical drive/media bay |
| 9 | USB connectors (2) | 10 | IEEE 1394 connector |
| 7 | security cable slot | 8 | optical drive/media bay |
| 9 | USB connectors (2) | 10 | IEEE 1394 connector |
| 11 | fingerprint reader (optional) | 12 | touch pad |
| 13 | touch pad buttons (2) | 14 | 8-in-1 card reader slot |
| 15 | audio connectors (2) | 16 | power and battery charge lights |

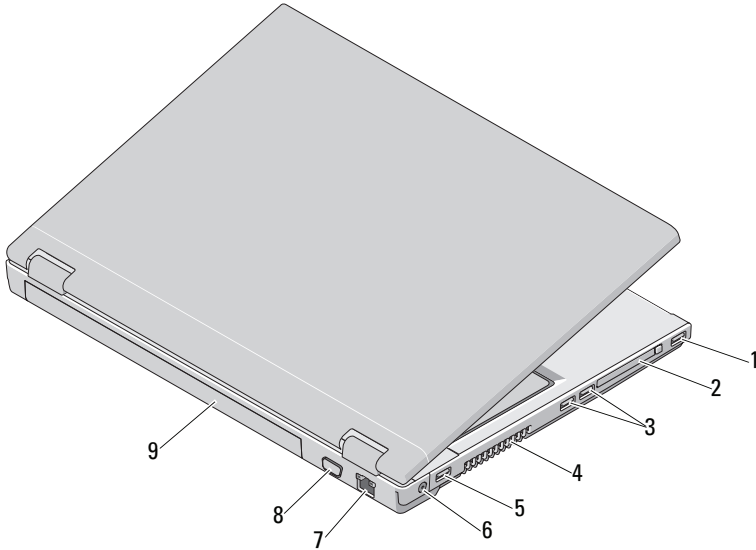


- | | | | |
|---|----------------------|---|---------------------|
| 1 | wireless switch | 2 | ExpressCard/54 slot |
| 3 | USB connectors (2) | 4 | cooling vents |
| 5 | AC adapter connector | 6 | network connector |
| 7 | video connector | 8 | battery |

Vostro 1710



- | | | | |
|----|-------------------------------|----|--|
| 1 | display latches | 2 | display |
| 3 | power button | 4 | device status lights |
| 5 | keyboard status lights | 6 | media controls (volume, forward, reverse, stop, play, and eject) |
| 7 | keyboard | 8 | security lock |
| 9 | optical drive/media bay | 10 | USB connectors (2) |
| 11 | IEEE 1394 connector | 12 | wireless switch |
| 13 | fingerprint reader (optional) | 14 | touch pad |
| 15 | touch pad buttons(2) | 16 | 8-in-1 card reader |
| 17 | audio connectors(2) | 18 | power and battery charge lights |



- | | | | |
|---|--------------------|---|----------------------|
| 1 | USB connector | 2 | ExpressCard/54 slot |
| 3 | USB connectors (2) | 4 | cooling vents |
| 5 | USB connector | 6 | AC adapter connector |
| 7 | network connector | 8 | video connector |
| 9 | battery | | |



WARNING: Do not block, push objects into, or allow dust to accumulate in the air vents. Do not store your Dell™ computer in a low-airflow environment, such as a closed briefcase, while it is running. Restricting the airflow can damage the computer or cause a fire. The computer turns on the fan when the computer gets hot. Fan noise is normal and does not indicate a problem with the fan or the computer.

Quick Setup



WARNING: Before you begin any of the procedures in this section, read the safety information that shipped with your computer. For additional best practices information see www.dell.com/regulatory_compliance.

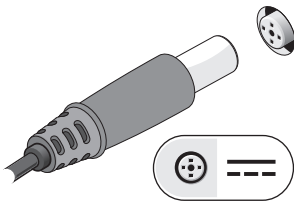


WARNING: The AC adapter works with electrical outlets worldwide. However, power connectors and power strips vary among countries. Using an incompatible cable or improperly connecting the cable to the power strip or electrical outlet may cause fire or equipment damage.

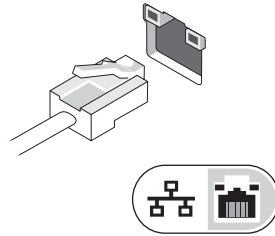
CAUTION: When you disconnect the AC adapter cable from the computer, grasp the connector, not the cable itself, and pull firmly but gently to avoid damaging the cable. When you wrap the AC adapter cable, ensure that you follow the angle of the connector on the AC adapter to avoid damaging the cable.

NOTE: Some devices may not be included if you did not order them.

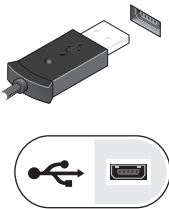
1 Connect the AC adapter to the AC adapter connector on the computer and to the electrical outlet.



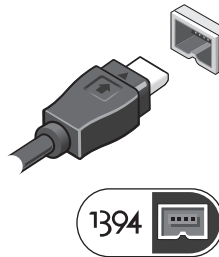
2 Connect the network cable.



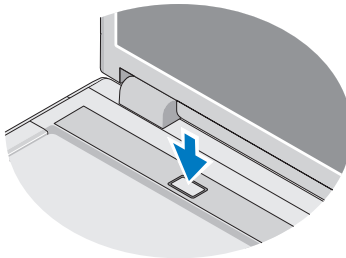
3 Connect USB devices, such as a mouse or keyboard.



4 Connect IEEE 1394 devices, such as a DVD player.



5 Open the computer display and press the power button to turn on the computer.





NOTE: It is recommended that you turn on and shut down your computer at least once before you install any cards or connect the computer to a docking device or other external device, such as a printer.

Specifications



NOTE: Offerings may vary by region. For more information regarding the configuration of your computer, click **Start**→ **Help and Support** and select the option to view information about your computer.

System Information

Processor type	Vostro 1310, 1510, 1710 and 2510: Intel® Core™ 2 Duo (1.4–2.6 GHz) Intel Celeron® (1.8–2.0 GHz)
Chipset	
Vostro 1310, 1510, and 1710	Intel GM965 Express chipset for integrated graphics Intel PM965 for discrete graphics
Vostro 2510 integrated	Intel PM965

Video

Video type	integrated on system board
Data bus	integrated video
Video controller	
Vostro 1310, 1510, and 2510 discrete	NVIDIA GeForce 8400M GS, 64 bit
Vostro 1710 discrete	NVIDIA GeForce 8600M GS, 128 bit
Video memory	
Vostro 1310, 1510, and 1710 integrated	up to 256 MB of shared memory
Vostro 1310 discrete	128 MB
Vostro 1510, 1710, and 2510 discrete	256 MB

Battery

Type	"smart lithium ion"
	Vostro 1310 — 4-cell, 6-cell and 9-cell
	Vostro 1510 and Vostro 2510 — 6-cell and 9-cell
	Vostro 1710 — 6-cell and 8-cell

Dimensions:

Depth

4-cell, 6-cell and 8-cell lithium-ion batteries	50.3 mm (1.980 inches)
9-cell lithium-ion batteries	72 mm (2.835 inches)

Height

4-cell and 6-cell	Vostro 1310 — 19.9 mm (0.783 inch)
9-cell	Vostro 1310 — 20.7 mm (0.815 inch)
6-cell	Vostro 1510 and 2510 — 19.9 mm (0.783 inch)
9-cell	Vostro 1510 and 2510 — 20.7 mm (0.815 inch)
6-cell and 8-cell	Vostro 1710 — 20.2 mm (0.795 inch)

Voltage

4-cell	14.8 V
6-cell and 9-cell	11.1 V
8-cell	16.8 V

Coin-cell battery	CR-2032
-------------------	---------

AC Adapter

Input voltage

Vostro 1310, 1510, and 1710	90–264 VAC(65 W and 90 W)
Vostro 2510	90–264 VAC (90 W)

Input current (maximum)

Vostro 1310, 1510, and 1710	1.5 A (65 W and 90 W)
Vostro 2510	1.5 A (90 W)

AC Adapter (continued)

Input frequency

Vostro 1310, 1510, and 1710	47–63 Hz (65 W and 90 W)
Vostro 2510	47–63 Hz (90 W)

Output current

65 W	4.34 A (maximum at 4-second pulse) 3.34 A (continuous)
90 W	5.62 A (maximum at 4-second pulse) 4.62 A (continuous)

NOTE: On Vostro 1510/1710/2510 computers that have a discrete video configuration, you must use the 90W AC adapter that is shipped with your computer. Using an incorrect AC adapter will prevent optimal system performance and produce a BIOS warning.

Rated output voltage

Vostro 1310, 1510, and 1710	19.5 VDC (65 W and 90 W)
Vostro 2510	19.5 VDC (90 W)

Dimensions (65 W):

Height	27.8–28.6 mm (1.10–1.12 inches)
Width	57.9 mm (2.28 inches)
Depth	137.2 mm (5.40 inches)

Temperature range:

0° to 35° C (32° to 95° F)

Dimensions (90 W):

Height	33.8–34.6 mm (1.34–1.36 inches)
Width	60.9 mm (2.39 inches)
Depth	153.4 mm (6.04 inches)
Weight (with cables)	0.46 kg (1.01 lbs)
Temperature range	0° to 35° C (32° to 95° F)

Physical

Height	Vostro 1310 — 23.8 to 37.2 mm (0.937 to 1.465 inches)
	Vostro 1510 and 2510 — 26.2 to 38.0 mm (1.031 to 1.496 inches)
	Vostro 1710 — 29.0 to 40.5 mm (1.142 to 1.594 inches)
Width	Vostro 1310 — 317 mm (12.480 inches)
	Vostro 1510 and 2510 — 357 mm (14.055 inches)
	Vostro 1710 — 393 mm (15.472 inches)
Depth	Vostro 1310 — 243.2 mm (9.575 inches)
	Vostro 1510 and 2510 — 258 mm (10.157 inches)
	Vostro 1710 — 286 mm (11.26 inches)
Weight	Vostro 1310 — minimum 2.1 kg (4.630 lbs) with 4-cell battery
	Vostro 1310 — minimum 2.8 kg (6.173 lbs) with 6-cell battery
	Vostro 1510 and 2510 — minimum 2.1 kg (4.630 lbs) with 4-cell battery
	Vostro 1710 — minimum 2.6 kg (5.72 lbs) with 6-cell battery
	Vostro 1710 — minimum 3.41kg (7.51 lbs) with 8-cell battery

Environmental

Temperature range:

Operating	0° to 35° C (32° to 95° F)
Storage	-40° to 65° C (-40° to 149° F)

Relative humidity (maximum):

Operating	10% to 90% (noncondensing)
Storage	5% to 95% (noncondensing)

Finding More Information And Resources

If you need to:	See:
Find safety best practices information for your computer, review Warranty information, Terms and Conditions(U.S only), Safety instructions, Regulatory information, Ergonomics information, and End User License Agreement.	The safety and regulatory documents that shipped with your computer and also see the Regulatory Compliance Homepage at www.dell.com/regulatory_compliance .

Information in this document is subject to change without notice.

© 2009 Dell Inc. All rights reserved. Printed in the U.S.A.

Reproduction of these materials in any manner whatsoever without the written permission of Dell Inc. is strictly forbidden.

Trademarks used in this text: *Dell*, the *DELL* logo, and *Vostro* are trademarks of Dell Inc.; *Intel* and *Celeron* are registered trademarks and *Core* is a trademark of Intel Corporation in the U.S. and other countries.

Other trademarks and trade names may be used in this document to refer to either the entities claiming the marks and names or their products. Dell Inc. disclaims any proprietary interest in trademarks and trade names other than its own.