

Overview

What's New

- Mobile Intel® Pentium® III 850 MHz processor with SpeedStep™ technology

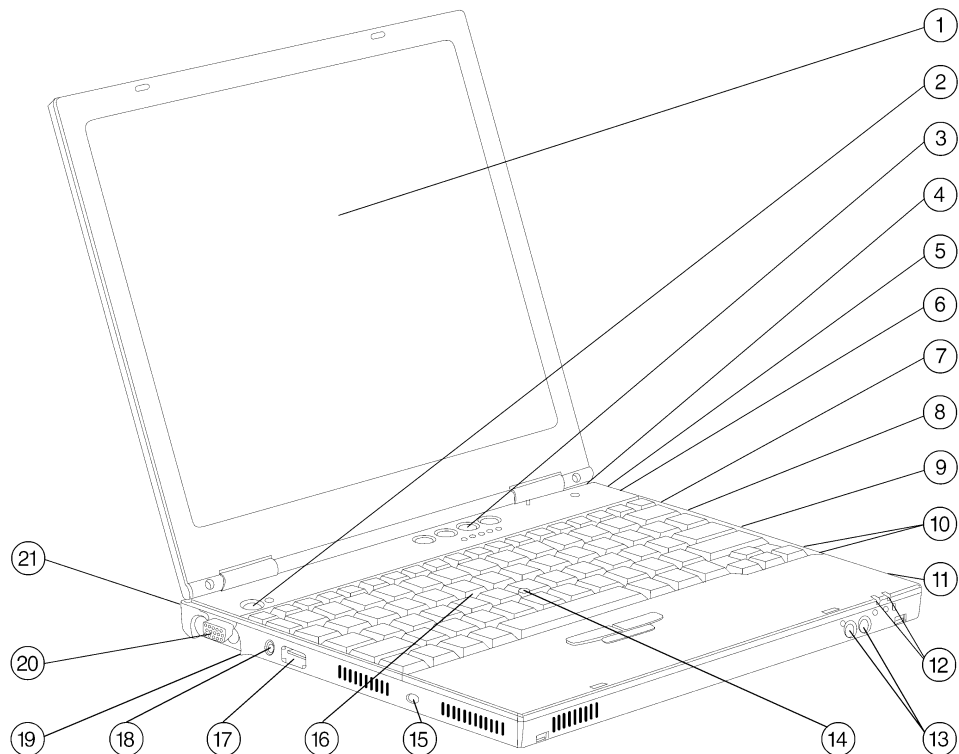
At A Glance

- Weighs only 3.5 lb/1.59 kg
- Less than 1 in/2.3 cm thin
- 12.1-inch XGA TFT display
- 128-MB SDRAM upgradeable to 512 MB
- 20-GB User removable SMART hard drive
- Integrated Mini PCI 56K V.90 modem plus 10/100 NIC
- Complete set of system ports
- Microsoft® Windows® 2000 preinstalled/Windows NT® 4.0 on CD, or Windows 98SE
- Protected by a Three-year, Worldwide Limited Warranty — Certain restrictions and exclusions apply. Consult the Compaq Customer Support Center at 1-888-88-COMPAQ.

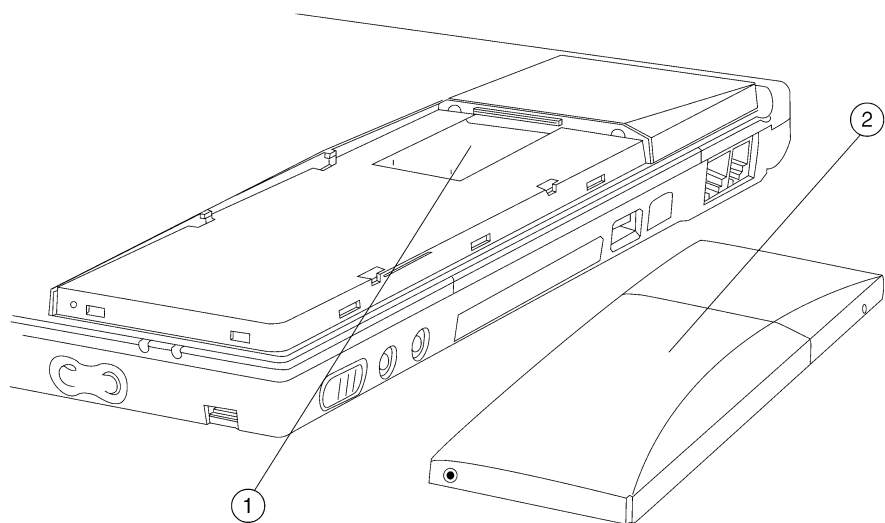
What's Special

- Ultra-light weight – 3.5 lb/1.59 kg
- Innovative MultiPort
- Full sized keyboard
- Support for up to four batteries*
- Optional Mobile Expansion Unit providing Multimedia, storage and enhanced security features
- Magnesium display enclosure
- Compatible with current Compaq enterprise docking solutions
- Industry leading PC lifecycle solutions

NOTE: * = Requires optional MEU.



- | | |
|--|----------------------------------|
| 1. Color Display | 11. On/Off Button |
| 2. Suspend/Resume Button | 12. Power/Battery LEDs |
| 3. Easy Access Internet Buttons | 13. External Volume Control/Mute |
| 4. Rear System Ports
(Parallel, Serial, TV Out) | 14. Point Stick Pointing Device |
| 5. RJ-11 | 15. Security Cable Slot |
| 6. RJ-45 | 16. Full-size Keyboard |
| 7. IR | 17. USB (2 of 2) |
| 8. USB (1 of 2) | 18. AC Power Connector |
| 9. PC Card Slot | 19. Internal Lithium-Ion Battery |
| 10. Audio In/Out Jacks | 20. VGA Out Port |
| | 21. Secondary Battery Connector |



1. Multiport Connector

2. Multiport Module

Standard Features

Processor and Panel	<p>850 MHz Mobile Intel Pentium III processor with SpeedStep technology with 256-KB L2 cache</p> <p>700 MHz Low-Voltage Mobile Intel Pentium III processor with SpeedStep technology with 256-KB L2 cache</p> <p>12.1-inch TFT XGA display with 1024x768 resolution up to 16.7M colors</p> <p>NOTE: Compaq now offers Flexible Solutions via CTO (Configure to Order). Order the <i>Evo</i>™ Notebook N400c the way you want it by selecting the processor/panel, hard drive, memory and more. Purchase directly from Compaq or from an Authorized Compaq Agent. For a complete list of configurable components and options visit our website at http://www.compaq.com/products/notebooks for details.</p> <p>NOTE: This Web site is available in English only.</p>	
Memory	<p>Standard 128-MB SDRAM – 128 MB SODIMM installed in slot 1</p> <p>Maximum 512-MB SDRAM – 256 MB SODIMMs installed in slots 1 and slot 2 (with two slots)</p> <p>NOTE: Due to the non-industry standard nature of some third-party memory modules, we strongly recommend using only Compaq branded memory modules to ensure compatibility.</p> <p>NOTE: 256-MB and 512-MB 133 MHz memory are not compatible with the <i>Evo</i> Notebook N400c.</p>	
Communications	<p>Type III Mini PCI 56K (V.90) modem plus 10/100 NIC Combo</p> <p>NOTE: Designed only to allow faster downloads from V.90 compliant sources. Maximum achievable download transmission rates currently do not reach 56 KB/s, and will vary with line conditions.</p> <p>NOTE: Communication availability is subject to country regulatory approval.</p>	
Keyboard	<p>Full sized desktop compatible keyboard, special feature hotkeys for instant access to power conservation, QuickLock/QuickBlank (ex: FN+F6), toggle between internal and external, or simultaneous displays, battery gauge, MultiPort on/off, speaker volume control, and brightness.</p>	
Easy Access Internet Buttons	<p>The <i>Evo</i> N400c comes with four Easy Access Buttons designed to increase customer productivity by providing one-touch access to helpful Compaq information, favorite Internet destinations, files, or applications.</p>	
Pointing Device	<p>3-D PointStick</p>	
PC Card Slots	<p>One Type II PC Card Slot that supports both 32-bit CardBus (Full support in Windows 9.x and Windows 2000) and 16-bit PCMCIA Cards.</p>	
Storage	<p>Diskette Drives</p>	<p>Optional Floppy Drive*</p> <p>Optional SuperDisk 2X LS –120 Drive*</p>
	<p>Optical Drives</p>	<p>DVD/CD-RW Combo Drive*</p> <p>CD-RW Drive*</p> <p>DVD-ROM Drive*</p> <p>CD-ROM Drive*</p>
	<p>Hard Drive</p>	<p>20-GB SMART</p> <p>NOTE: * = Requires optional Mobile Expansion Unit (MEU).</p>
Multimedia	<p>Compaq <i>Premier</i>® <i>Sound</i>™ for enhanced stereo audio (with optional MEU)</p> <p>Integrated 16-bit Sound Blaster Pro compatible stereo audio</p> <p>Integrated speaker and microphone</p> <p>External volume controls</p> <p>Headphone-out</p> <p>Microphone in</p> <p>Software MPEG1 support</p> <p>DVD movie playback software</p> <p>DVD-ROM Drive with DVD movie playback*</p> <p>DVD/CD-RW Combo Drive *</p> <p>CD-ROM Drive*</p> <p>2X AGP graphics</p> <p>8-MB SDRAM</p> <p>NOTE: * = Requires optional Mobile Expansion Unit (MEU).</p>	

Standard Features

Interfaces	MultiPort	1
	PC Card Slot	One Type II
	Enhanced Parallel Port EPP/ECP	1
	Serial Port	1
	External Monitor	1
	TV-out	1
	Headphone/Line-out	1
	Microphone in	1
	AC Power	1
	RJ-11 (modem)	1 (Model dependent)
	RJ-45 (NIC)	1 (Model dependent)
	Infrared Port	1 (4 Mb/s support) (IrDA 4 MB compliant. IR performance will vary depending on performance of IR peripherals and application used.)
	USB Port	2
	LED Status Indicators	7
Graphics	ATI Mobility M1 with 8-MB SDRAM	
Display (External)	Up to 32-bit per pixel color depth Supports 640 x 480, 800 x 600, 1024 x 768, 1152 x 864, 1280 x 1024, or 1600 x 1200 resolutions up to 100-Hz refresh rate, dependent upon monitor capability, and resolution and color depth settings.	
Display (Internal)	12.1-inch TFT XGA display with 1024 x 768 resolution up to 16.7M colors	
Operating System <i>One of the following:</i>	Microsoft Windows 2000 preinstalled/Windows NT 4.0 on Quick Restore CD Microsoft Windows 98 SE NOTE: Windows NT 4.0 is provided on CD. Microsoft Windows XP Professional NOTE: In order to insure that systems purchased today will be easily upgradeable to the Microsoft Windows XP Professional operating system, the next version of Windows for enhanced business computing, Compaq is participating in the Windows XP Ready program. The Evo N400c meets the minimum hardware requirements to run Microsoft Windows XP. Hardware drivers, if necessary, will be available from Compaq upon the release of Windows XP.	
Software	Compaq <i>Insight Management</i> ™ Agents Diagnostics for Windows DVD Playback Software (with optional MEU) Altiris eXpress™ Client Compaq Power Management Compaq Security Management Safety and Comfort Guide Acrobat Reader Reference Guide	
System Recovery	Each unit is shipped with a CD kit for quick recovery (erases hard disk and restores manufacturer installed image) and software recovery (installs only selected standard software)	

Standard Features

Intelligent Manageability	Compaq Intelligent Manageability, a key component of PC Lifecycle Solutions, is the broad set of manageability features found on Compaq <i>Deskpro</i> ™ EN desktops, <i>Armada</i> ™ notebooks, <i>Evo</i> Clients, Professional Workstations, <i>iPAQ</i> ™ Deskside and <i>ProLiant</i> ™ server products. These best-in-class features on PC clients comply with industry standards, such as DMI and Wired for Management, while pioneering new ground in client manageability. Compaq introduced the industry's first line of manageable clients in 1995 and has been driving the industry ever since. With Compaq's lifecycle management philosophy, enterprises have all of the pieces for end-to-end management and proven tools for hassle-free management of PCs. The combination of these tools will significantly lower the Total Cost of Ownership of managing the computing environment. Intelligent Manageability offers solutions in the areas of Initial Configuration and Deployment, Asset Tracking and Security, Software Updating and Management, and Fault Notification and Recovery. For more information, visit these Compaq websites: http://www.compaq.com/im ; http://www.compaq.com/easydeploy ; http://www.compaq.com/solutions/pcsolutions NOTE: These Web sites are available in English only.
Security	Configuration Control Hardware Memory Change Alert Ownership Tag Setup Password Power-On Password DriveLock Enabled for PC SmartCard options
Power Supply	External AC Adapter (only 0.39 lb/0.17 kg); 6-foot/1.8-meter power cord included. Total length including External AC adapter is 12 feet/3.66 meter
Battery	<p>The <i>Evo</i> Notebook N400c 4-cell internal main Lithium-Ion battery provides over two hours of battery life; over four hours achieved using optional external battery.</p> <p>NOTE: Actual results may vary with product model, configuration, and individual usage. Compaq results of 2:31 (hr:min) were achieved running the eTesting Labs Inc.'s BatteryMark™ Test version 4.0.1 on an N400c with an Intel Pentium III 700 MHz CPU, 12.1-inch XGA panel, 128-MB RAM, 20-GB HDD, 4-cell Lithium-Ion battery, and combination NIC/modem. System parameters were set according to Ziff Davis recommendations: panel brightness 50%, hard drive standby and video idle time three minutes, and Intel SpeedStep battery optimized mode.</p> <p>NOTE: Actual results may vary with product model, configuration, and individual usage. Compaq results of 2:16 (hr:min) were achieved running the eTesting Labs Inc.'s BatteryMark Test version 4.0.1 on an N400c with an Intel Pentium III 850 MHz CPU, 12.1-inch XGA panel, 128-MB RAM, 20-GB HDD, 4-cell Lithium-Ion battery, and combination NIC/modem. System parameters were set according to Ziff Davis recommendations: panel brightness 50%, hard drive standby and video idle time three minutes, Intel SpeedStep battery optimized mode and battery conservation mode set to high.</p> <p>NOTE: These tests were performed without independent verification by eTesting Labs Inc. eTesting Labs Inc. makes no representations or warranties as to the result of the test. BatteryMark is a trademark of Ziff Davis Publishing Holdings Inc. and affiliate of eTesting Labs Inc. in the U.S. and other countries.</p> <p>NOTE: The Universal Battery Charger (P/N 135555-001) will charge the N600c, M700 and E500 internal primary batteries and the N400c and M300 external handle batteries. It will not charge the N400c internal primary battery.</p>
Power Conservation	Intel SpeedStep technology (allows a Battery Optimized Mode where CPU draws 50% of normal power yet affords 70 to 80% of maximum PIII processing speed) Hibernation Instant-on via Standby Pop-ups with three presets One custom level of power conservation ACPI compliant
MultiBay Devices (with optional MEU)	MultiBay devices may be swapped with the system powered on (hot) or in suspend mode (warm) under Microsoft Windows 98 SE or Windows 2000 (except MultiBay Zip drive or MultiBay secondary hard drive). MultiBay devices can be swapped with system power off under any supported operating system. NOTE: Microsoft Windows NT 4.0 does not support hot swapping of the CD-RW drive.

Standard Features

MultiPort

Integrated MultiPort expands functionality via user removable MultiPort Modules. MultiPort modules can provide integrated wireless communications and enhanced security features. MultiPort modules can be hot swapped with the system powered on (hot) or in suspend mode (warm) under any supported operating system. The MultiPort interface is based on the USB 1.1 Standard Specification

NOTE: Microsoft Windows NT does not support USB technology.

Service and Support

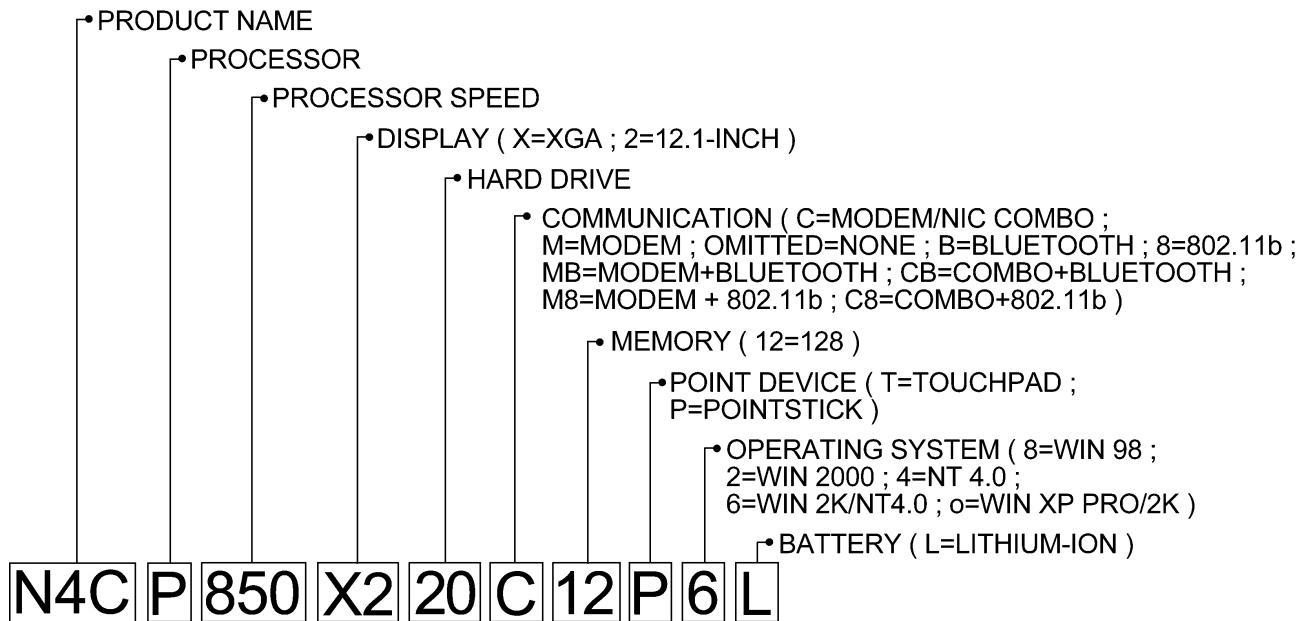
Compaq Services includes a Three-year, Worldwide Limited Warranty, pick-up or carry-in, toll-free 7 x 24 hardware technical phone support. Optional services include; upgrade to three years standard warranty, onsite warranty, application and operating system support.

NOTE: Certain restrictions and exclusions apply. For details, consult the Compaq Customer Support Center at 1-888-88-COMPAQ.

Standard Features

Naming Convention

The Etymology of a Model name:



Standard Features

N4CP850X220C12PoL
P/N 470026-529/-633

Display	12.1-inch colour TFT XGA
Processor	Mobile Intel Pentium III 850 MHz
Cache Memory	256-KB, L2 Cache
Memory	Standard 256-MB SDRAM Maximum 512-MB SDRAM
Optical Drive	None
Hard Drive	20-GB SMART
Modem	Type III Mini PCI 56K (V.90) modem, 10/100 NIC Combo
Graphics	ATI Mobility M 8-MB SDRAM
Audio	Microsoft Compaq <i>Premier•Sound</i>
Operating System	Microsoft Windows XP Pro/2000
MultiPort	

N4CP850X220C12P8L
P/N 470022-682/-649

Display	12.1-inch colour TFT XGA
Processor	Mobile Intel Pentium III 850 MHz
Cache Memory	256-KB, L2 Cache
Memory	Standard 128-MB SDRAM Maximum 512-MB SDRAM
Optical Drive	None
Hard Drive	20-GB SMART
Modem	Type III Mini PCI 56K (V.90) modem, 10/100 NIC Combo
Graphics	ATI Mobility M 8-MB SDRAM
Audio	Microsoft Compaq <i>Premier•Sound</i>
Operating System	Microsoft Windows 98SE
MultiPort	

N4CP850X220C12P6L
P/N 470022-683/-684

Display	12.1-inch colour TFT XGA
Processor	Mobile Intel Pentium III 850 MHz
Cache Memory	256-KB, L2 Cache
Memory	Standard 128-MB SDRAM Maximum 512-MB SDRAM
Optical Drive	None
Hard Drive	20-GB SMART
Modem	Type III Mini PCI 56K (V.90) modem, 10/100 NIC Combo
Graphics	ATI Mobility M 8-MB SDRAM
Audio	Microsoft Compaq <i>Premier•Sound</i>
Operating System	Microsoft Windows 2000/Windows NT 4.0
MultiPort	

Options

Memory	128-MB (133 MHz) Memory Upgrade	197897-B25
	64-MB (133 MHz) Memory Upgrade	197896-B25
	256-MB (100 MHz) Memory Upgrade	161554-B21
	128-MB (100 MHz) Memory Upgrade	400313-B21
	64-MB (100 MHz) Memory Upgrade	400312-B21
	32-MB (100 MHz) Memory Upgrade	400311-B21
<p>NOTE: Due to the non-industry standard nature of some third-party memory modules, we strongly recommend using only Compaq branded memory modules to ensure compatibility.</p> <p>NOTE: 256-MB and 512-MB (133 MHz) memory are not compatible with the Evo Notebook N400c.</p>		
Monitors	TFT8020 Flat Panel Colour 18-inch (carbon)	159244-001
	TFT5010 Flat Panel Colour 15-inch (carbon)	154486-001
	P1210 – 22-inch CRT (carbon/silver)	230538-001
	P910 – 19-inch CRT (carbon/silver)	230535-001
	S710 – 17-inch CRT (carbon)	154499-002
	S510 – 15-inch CRT (carbon)	168636-002
MultiBay Hard Drives	30-GB SMART Hard Drive	212791-B25
	20-GB SMART Hard Drive	212790-B25
	10-GB SMART Hard Drive	212789-B25
MultiBay Storage Devices	DVD/CD-RW Combo Drive	260472-B25
	CD-RW Drive	136186-B25
	DVD-ROM Drive	138230-B25
	CD-ROM Drive	298452-B25
	SuperDisk 2X LS –120 Drive	197895-B25
	Floppy Drive	226935-B25
	Imega Zip 250 Drive	217387-B25
Other Storage Devices	IBM 1GB Microdrive (PC card Device)	217390-B25
	USB Disk-on-Key (8-MB)	249552-B25
	USB 1.44 Floppy drive	230330-B25
Mobile Expansion Unit (MEU)	MEU with CD-RW drive and Floppy drive	234281-B25
	MEU with 8X DVD-ROM drive and Floppy drive	234280-B25
	MEU with 24X Max CD-ROM drive* and Floppy drive	234279-B25
<p>NOTE: * = Data transfer rates will vary from 150 KB/s to 3600 KB/s.</p>		

Options

Connectivity	Compaq Type III Mini PCI 56K (V.90) Modem plus 10/100 IPSEC NIC Combo	225638-B31
	Compaq M420 56K Global Modem	317900-001
	10/100 TX PC Card UTP Controller	335506-B21
	100Base TX Ethernet Upgrade	225435-001
	1394 PC Card	177593-B25
	<p>NOTE: For additional compatible PC Cards, view the Compaq PC Card Solutions List on the Compaq website at: http://www.compaq.com/support/techpubs/pcmclia/</p> <p>NOTE: This website is available in English only.</p> <p>NOTE: Designed only to allow faster downloads from V. 90 compliant sources. Maximum achievable download transmission rates currently do not reach 56 KB/s, and will vary with line conditions. Modem only supports Windows 9.x and Windows NT 4.0.</p>	
Wireless Connectivity	MultiPort 802.11b Wireless LAN module	233412-001
	MultiPort Bluetooth module	228057-B21
	Compaq WL110 Wireless LAN PC Card	191808-B21
	Compaq WL510 Wireless Enterprise Access Point	216709-001
	Compaq WL410 Wireless SMB Access Point	191811-001
	Compaq WL310 Home Office Access Point	191813-001
	Compaq Range Extender Antenna	230268-B21
Expansion Bases	Expansion Base	383500-001
	Expansion Base with Intel NIC	120266-001
	Expansion Base Tower Stand	123129-B25
	Convenience Base	382500-001
	Convenience Base with Intel NIC	120971-001
	Convenience Base Monitor Cover	122931-001
	Port Replicator EM	382300-001
	<p>NOTE: The Compaq Evo N400c requires the optional Mobile Expansion Unit (MEU) for docking with any of the expansion bases listed above.</p>	
Power	4-cell primary Lithium-Ion battery (internal)	232593-B25
	4-cell secondary Lithium-Ion battery (external)	236309-B25
	4-cell secondary Lithium-Ion high capacity travel battery (external)	236310-B25
Common Power Solutions	MultiBay Battery (6-cells)*	387937-B25
	External Battery Charger	135555-001
	AC Adapter 65W	265602-001
	Auto Power Adapter/Charger	401043-B25
	Aircraft Power Adapter	386504-B21
	AC Line Cord (10-ft/3.1 m)	217932-002
	<p>NOTE: * = Use of this option with Compaq Evo N400c requires the optional Mobile Expansion Unit (MEU).</p> <p>NOTE: The Universal Battery Charger (P/N 135555-001) will charge the N600c, M700, and E500 internal primary batteries and the N400c and M300 external handle batteries. It will not charge the N400c internal primary battery.</p>	

Options

Input Devices	External Enhanced III Keyboard (carbon)	118003-008
	Compaq 2 Button Mouse (carbon)	103180-B21
	USB 2 Button Scroll Mouse (carbon)	195255-B25
	External 10-Key Numeric Keypad (carbon)	294317-B21
	USB EZ Access Keyboard (carbon)	222726-008
	USB 1.44 Floppy Drive	230330-B25
	USB Disk-on-Key	249552-B25
	External Enhanced III Keyboard (carbon)	118003-008
	Compaq 2 Button Mouse (carbon)	103180-B21
	USB/PS2 10-Key Numeric Keypad (carbon)	294317-B21

Security	Biometric PC Card	146805-B25
	Security Cable Lock	294316-B21
	Compaq Smart Card PC Card Reader	135646-B25
	PC Guardian Lock	261680-B21

Useful Accessories	MP1400 Microportable Projector	174626-xx1
	MP1800 Microportable Projector	180226-xx1
	MP2800 Microportable Projector	180228-xx1
	Multimedia Adapter & Remote Kit (comes with the MP1800)	174963-001
	MP1600 Video Adapter	116298-001
	MP1600 Lamp replacement kit	118052-001
	MP1800/1400 Lamp replacement kit	189789-001
	MP2800 Lamp replacement kit	215464-001

Carrying Cases	Compaq Flex Case	258195-B25
	Compaq Ultralight Case (nylon)	167336-B21
	Compaq Ultralight Case (leather)	242359-B25
	Compaq Plus Case	242360-B25
	Compaq Professional Case (nylon)	242361-B25
	Compaq Professional Case (leather)	242362-B25
	<i>Evo Notebook N400c, Armada M300 and Armada M700 specific</i>	
	Compaq M Series Portfolio Case	167337-B21

NOTE: For additional information visit <http://www.compaq.com/products/notebooks/>

NOTE: This Web site is available in English only.

Memory

Compaq Evo Notebook N400c

STANDARD MEMORY

0 MB of memory on system board,
2 Slots total
1-128MB DIMM installed in Slot 1
1-Additional open Memory Slot

Memory	Slot 1	Slot 2
	128 MB	Empty

STANDARD MEMORY WITH OPTIONAL MEMORY UPGRADES

Support for up to 512 MB of SDRAM is available with the installation of optional SDRAM Memory Upgrades.

Up to	Slot 1	Slot 2
128 MB	128 MB	Empty
192MB	128 MB	64 MB
256 MB	128 MB	128 MB
320 MB	256 MB	64 MB
384 MB	256 MB	128 MB
512MB	256 MB	256 MB

NOTE: This chart does not represent all possible memory configurations. Due to the non-industry standard nature of some third-party memory modules, we strongly recommend using only Compaq branded memory modules to ensure compatibility.

Following are memory options available from Compaq:

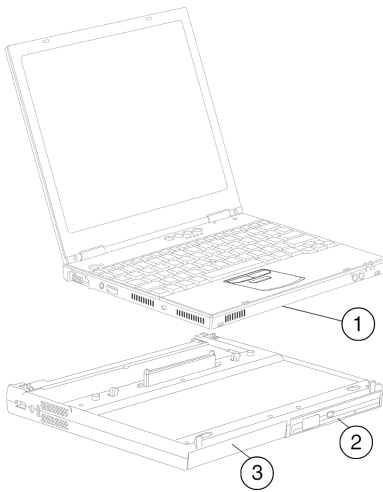
- 256-MB (100 MHz) Memory Upgrade 161554-B21
- 128-MB (100 MHz) Memory Upgrade 400313-B21
- 64-MB (100 MHz) Memory Upgrade 400312-B21

- 128-MB (133 MHz) Memory Upgrade 197897-B25
- 64-MB (133 MHz) Memory Upgrade 197896-B25

NOTE: Due to the non-industry standard nature of some third-party memory modules, we strongly recommend using only Compaq branded memory modules to ensure compatibility.

NOTE: 256-MB and 512-MB (133 MHz) memory are not compatible with the Evo Notebook N400c.

Storage



1. Hard Drive
2. MultiBay
3. MultiBay

DRIVE SUPPORT

System Drive Support

Removable Media	Quantity Supported	Drive Bay Supported
1.44-MB Diskette Drive (optional)	Up to 1	External connects via parallel port
Hard Drives		
20-GB SMART Hard Drive	Up to 1	Hard Drive Bay

MEU Drive Support

Removable Media	Quantity Supported	Drive Bay Supported
1.44-MB Diskette Drive	Up to 1	MultiBay
CD-RW Drive	Up to 2	MultiBay
DVD-ROM Drive	Up to 2	MultiBay
CD-ROM Drive	Up to 2	MultiBay
DVD/CD-RW Combo Drive	Up to 2	MultiBay
Zip 250 Drive	Up to 2	MultiBay
Super Disk 2X LS-120 Drive	Up to 2	MultiBay

Secondary Hard Drives

10-GB SMART Hard Drive	Up to 2	MultiBay
20-GB SMART Hard Drive	Up to 2	MultiBay
30-GB SMART Hard Drive	Up to 2	MultiBay

Technical Specifications

System Unit	Dimensions (H x W x D)	12.1-inch TFT panel display	0.89 x 10.5 x 9.5 in/2.2 x 26.6 x 24.2 cm
	Weight	Minimum/Maximum	3.5 lb/1.58 kg
Stand-Alone Power Requirements	Nominal Operating Voltage (Li-Ion)		14.8 VDC
	Maximum Operating Power		40W
	Peak Operating Power		50W
Temperature	Operating		50° to 95°F/10° to 35°C
	Non-operating		-4° to 140°F/-20° to 60°C
Relative Humidity	Operating		10% to 90% relative humidity, non-condensing
	Non-operating		5% to 90% relative humidity, 101.6°F/38.7°C Maximum wet bulb temperature
Shock	Operating		10 G, 11 ms, half-sine
	Non-operating		60 G, 11 ms, half-sine
Vibration	Operating		0.5 G, 10 to 500 Hz, 0.5 Oct/Min sweep rate
	Non-operating		1.0 G, 10 to 500 Hz, 0.5 Oct/Min sweep rate
Maximum Altitude (unpressurized)	Operating		0-10,000 ft/3,048 m (14.7 to 10.1 psia)
	Non-operating		0-30,000 ft/9,144 m (14.7 to 4.4 psia)

12.1-Inch Colour TFT XGA Display	Dimensions (H x W)	10.3x7.8 in/26.1x19.9 cm		
	Diagonal Size	12.1 in/30.7 cm		
	Mounting	Internal		
	Number of Colours	16M		
	Contrast Ratio	125:1		
	Refresh Rate	60hz		
	Brightness	130 nit typical AC only/70 on battery/115 nit minimum		
	Pixel Resolution	Pitch	0.264 x 0.264 mm	
		Format	1024 x 768	
		Configuration	RGB Stripe	
	Backlight	CCFT		
	Character Display	80 x 25		
	Total Power Consumption	4W		

Technical Specifications

Hard Drives

20 GB	MultiBay Drive Adapter	Dimensions (H x W x D)	0.5 x 5.21 x 4.97 in/1.27 x 13.25 x 12.61 cm	
		Weight	0.15 lb/0.07 kg	
	Drive Weight	0.21 lb/0.1 kg		
	Capacity	20 GB		
	Height	0.374 in/9.5 mm		
	Width	2.5 in/70 mm		
	Interface	ATA		
	Transfer Rate Synchronous (maximum)	66.6 MB/s (Drive Capability)		
	Seek Time (typical reads, including settling)	Single Track	3 ms	
		Average	12 ms (read)	
		Full-Stroke	23 ms	
		Rotational Speed	4200 rpm	
	Logical Blocks	~39,070,080		

External AC Adapter

Weight	0.39 lb/0.18 kg	
Power Supply (Input)	Operating Voltage	90 to 260 VAC RMS
	Operating Current	1.3 A RMS
	Operating Frequency Range	47 to 63 Hz AC
	Maximum Transient	4/50 kV

Internal Lithium-Ion Battery Pack

Weight	0.49 lb/0.22 kg	
Cells	4-cell Lithium-Ion	
Energy	Voltage	14.4 V
	Amp-hour capacity	1.96 Ah
	Watt-hour capacity	28Wh
Temperature	Operating	41° to 95°F/5° to 35°C
	Non-operating	-4° to 140°F/-20° to 60°C
Battery Re-Charge Time	System in OFF mode or Standby	2 hours
	System ON (depending of system power consumption)	2-5 hours

Technical Specifications

Secondary Lithium-Ion Battery Pack	Dimensions (H x W x D)	0.9 x 10.47 x 0.9 in/2.3 x 26.6 x 2.3 cm		
	Weight	0.48 lb/0.21 kg		
	Cells	4-cell Lithium-Ion		
	Energy	Voltage	14.4 V	
		Amp-hour capacity	1.96 Ah	
		Watt-hour capacity	28Wh	
	Temperature	Operating	41° to 95°F/5° to 35°C	
Non-operating		-4° to 140°F/-20° to 60°C		
Secondary High Capacity Lithium-Ion Battery Pack	Dimensions (H x W x D)	1.8 x 10.6 x 1.2 in/4.6 x 26.6 x 2.3 cm		
	Weight	0.93 lb/0.42 kg		
	Cells	4-cell Lithium-Ion		
	Energy	Voltage	14.4 V	
		Amp-hour capacity	2.6 Ah	
		Watt-hour capacity	37.4 Wh	
	Temperature	Operating	41° to 95°F/5° to 35°C	
Non-operating		-4° to 140°F/-20° to 60°C		
MultiBay Lithium-Ion Battery Pack (6-cell)	Dimensions (H x W x D)	0.5 x 5.21 x 4.97 in/1.27 x 13.25 x 12.61 cm		
	Weight	0.81 lb/0.37 kg		
	Energy	Voltage	10.8 V	
		Amp-hour capacity	2.8 Ah	
		Watt-hour capacity	30.2 Wh	
	Temperature	Operating	32° to 122° F/0° to 50° C	
		Non-operating	32° to 140° F/0° to 60° C	
Battery Re-Charge Time	System in OFF mode or Standby	2 hours		
	System ON	2 to 5 hours		

Technical Specifications

MultiBay DVD/CD-RW Combo Drive	MultiBay Drive	Dimensions (H x W x D)	0.5 x 5.21 x 4.97 in/1.27 x 13.25 x 12.61 cm
		Weight	0.74 lb/0.34 kg
	Center Hole Diameter	0.59 in/1.5 cm	
	Disk Diameter	12 cm/8 cm	
	Disk Thickness	0.047 in/1.2 mm	
	Track Pitch	0.74 μ m	
	Access Times (typical reads, including settling)	Random	< 150 ms
		Full-Stroke	< 225 ms
	Audio Output Level	Line-out	0.7 Vrms
	Cache Buffer	128 KB/s (minimum)	
	Data Transfer Rate (typical, including settling)	CD-R (8X)	1200 KB/s (150 KB/s at 1X CD rate)
		CD-RW (8X)	1200 KB/s (150 KB/s at 1X CD rate)
		CD-ROM (24X)	3600 KB/s (150 KB/s at 1X CD rate)
		DVD (8X)	10,800 KB/s (1352 KB/s at 1X DVD rate)
		Normal PIO Mode 4 (single burst)	16.6 MB/s
Start-up Time	< 15 seconds		
Stop Time	< 6 seconds		
MultiBay CD-RW Drive	MultiBay Drive	Dimensions (H x W x D)	0.5 x 5.21 x 4.97 in/1.27 x 13.25 x 12.61 cm
		Weight	0.74 lb/0.34 kg
	Center Hole Diameter	15 mm	
	Disk Diameter	12 cm, 8 cm	
	Disk Thickness	1.2 mm	
	Track Pitch	0.74 μ m	
	Access Times (typical reads, including settling)	Random	< 150 ms
		Full-Stroke	< 225 ms
	Audio Output Level	Line-out	0.7 Vrms
	Cache Buffer	128 KB/s (minimum)	
	Data Transfer Rate (typical, including settling)	Sustained (16X)	150 KB/s
		Sustained 4X CD-RW	5,520 KB/s
		Normal PIO Mode 4 (single burst)	16.6 MB/s
	Start-up Time	< 15 seconds	
	Stop Time	< 6 seconds	

Technical Specifications

MultiBay DVD-ROM Drive	MultiBay Drive	Dimensions (H x W x D)	0.5 x 5.21 x 4.97 in/1.27 x 13.25 x 12.61 cm	
		Weight	0.66 lb/0.3 kg	
	Center Hole Diameter	15 mm		
	Disc Diameter	12 cm, 8 cm		
	Disc Thickness	1.2 mm		
	Track Pitch	0.74 μ m		
	Access Times (typical reads, including settling)	Random (typical)	< 180 ms DVD Media	
		Full-Stroke (typical)	< 300 ms DVD Media	
		Random (typical)	< 120 ms CD Media	
		Full-Stroke (typical)	< 200 ms CD Media	
	Cache Buffer	512 KB/s (minimum)		
	Data Transfer Rate (typical, including settling)	Max 24X CD	3600 KB/s (150 KB/s at 1X CD rate)	
		Max 8X DVD	10,800 KB/s (1352 KB/s at 1X DVD rate)	
		Normal PIO Mode 4 (single burst)	16.6 MB/s	
Start-up Time	< 12 seconds			
Stop Time	< 3 seconds			

MultiBay 24X CD-ROM Drive	MultiBay Drive	Dimensions (H x W x D)	0.5 x 5.21 x 4.97 in/1.27 x 13.25 x 12.61 cm	
		Weight	0.50 lb/0.23 kg	
	Applicable Disk	CD-ROM (Mode 1, 2 and 3), CD-XA ready (Mode 2, Form 1 and 2), CD-I ready (Mode 2, Form 1 and 2), CD-R (read only), CD Plus, Photo CD (Single and Multi-session), CD-Extra, Video CD, CD-WO (fixed packets only), CD-Bridge		
	Center Hole Diameter	15 mm		
	Disk Diameter	12 cm, 8 cm		
	Disk Thickness	1.2 mm		
	Track Pitch	1.6 μ m		
	Access Times (typical reads, including settling)	Random	< 150 ms	
		Full-Stroke	< 300 ms	
	Audio Output Level	Line-out	0.7 Vrms	
	Cache Buffer	128 KB		
	Data Transfer Rate (typical, including settling)	Sustained (16X)	150 KB/s (sustained 1X)	
		Variable	1500 to 3600 KB/s (10X to 24X)	
		Normal PIO Mode 4 (single burst)	16.66 MB/s	
Start-up Time	< 8 seconds			
Stop Time	< 4 seconds			

Technical Specifications

MultiBay Diskette Drive	MultiBay Drive	Dimensions (H x W x D)	0.5 x 5.21 x 4.97 in/1.27 x 13.25 x 12.61 cm	
		Weight	0.51 lb/0.23 kg	
	Diskette Size	3.5 in		
	Activity Indicator	On system		
	Height	0.5 in/1.27 cm		
	Bytes per Sector	512		
	Sectors per track	High density	18 (1.44 MB)/15 (1.2 MB)	
		Low density	9	
	Tracks per side	High density	80 (1.44 MB)/80 (1.2 MB)	
		Low density	80	
	Read/Write heads	2		
	Access Times	Track-to track (high/low)	3 ms/6 ms	
		Average (high/low)	94 ms/174 ms	
		Settling time	15 ms	
Latency average		100 ms		

MultiBay SuperDisk 2X LS-120 Drive	MultiBay Drive	Dimensions (H x W x D)	0.5 x 5.21 x 4.97 in/1.27 x 13.25 x 12.61 cm
		Weight	0.61/0.28 kg
	Maximum Transfer Rate	From Disk 896 KB/s	
		Sustained: 375 to 900 KB/s	
	120 MB Physical Format	Number of Heads: 2	
		Data Tracks per Side: 1736	
		Servo Tracks: 900	
		Sector Interleave: 1:1	
		Bytes per Sector: 512	
		Sectors per Track: 51 to 92	
	Access Times (including setting)	Zones/Side: 55	
		Track-to-track: 20 ms	
		Average: 70 ms	
	Operating Conditions	Latency Average: 41.67	
Temperature: 41° to 131° F/5° to 55° C			
Operating System Support	Humidity: 10% to 80% RH		
	Microsoft Windows 95, Windows NT 4.0		
Option Kit Contents	LS-120 Drive, 17 mm MultiBay Adapter, Software, Documentation		

NOTE: Drivers for the LS-120 Drive are standard in Windows 95/OSR2, Windows NT 3.51/SP5, and Windows NT 4.0. Use the LS-120 Option Support Diskette (included in option kit) with earlier releases of Windows 95 and NT 3.51.

Technical Specifications

MultiBay Iomega Zip 250 Drive	Dimensions (H x W x D)	5.26 x 5.24 x 5.71 in/13.35 x 13.3 x 14.5 cm		
	Weight	9.8 oz or Xg (0.27 kg)		
	Transfer Rates	250 Media: 1200 – 2400 KB/s		
		100 Media: 138 – 1400 KB/s		
	Access Times (including setting)	Track-to-track	5 ms	
		Average	40 ms	
		Latency Average	10 ms	
		Maximum	70 ms	
	Operating Conditions	Temperature	41° to 124.7° F/5° to 51.5° C	
		Humidity	10% to 80% RH	
Operating System Support	Microsoft Windows 95, 98, Windows NT 4.0, Windows 2000, Windows Me			
Option Kit Contents	Zip 250 Drive, Documentation			
802.11b MultiPort Module	Form Factor	Compaq "MultiPort"		
	Weight	0.22 lb/100 g (maximum)		
	Operating Temperature	Operating	14° to 149° F/-10° to 65° C	
		Storage Temperature	Non-operating -40° to 176° F/-40° to 80° C	
	Humidity	Operating	10 to 90%	
		Non-operating	5 to 95%	
	Altitude	Operating	15,000 ft/4,572 m	
		Non-operating	40,000 ft/12,192 m	
	Plug and Play	USB 1.1 compliant		
		Windows Plug and Play compliant		
	RF Network Standard	IEEE 802 Part 11b (802.11b)		
	Frequency Band	2,4000 to 2.4835 GHz		
	Number of Selectable Sub-channels	11		
	Data Rates	1, 2, 5.5, 11 Mbps		
	Antenna type	Internally integrated within module (with special polarization diversity)		
	WEP Security	64-bit encryption keys compliant to IEEE 802.11		
		128-bit encryption key compliant to IEEE 802.11		
Ability to enter keys manually or via pass-phrase				
Network Architecture Models	Ad-hoc (Peer to Peer)			
	Infrastructure (Access Points Required)			
Modulation Technique	Direct Sequence Spread Spectrum			
	DBPSK, DQPSK, CCK			

Technical Specifications

802.11b MultiPort Module <i>(continued)</i>	Receiver Sensitivity – Bit Error Rate (1E-5)	11 Mbps: -85 dBm
		5.5 Mbps: -87 dBm
		2 Mbps: -91 dBm
		1 Mbps: -94 dBm
	Maximum Receive Level	-4 dBm
	Output Power (approximately)	18 dBm
	Operating Voltage	5V power operation
	Power Management	Keystroke Fn+F2 Power On/Off control
	Power Consumption	Transfer mode: < 600 mA, maximum
		Receive mode: > 400 mA, maximum
		Standby mode: > 1 mA, maximum
	Transmit Power	10 to 100mW
		It is preferable to have the user configurable output power to save battery life for laptop users or in high AP coverage areas
	Power Saving Option	802.11 Compliant Power Saving
Power Saving Mode selectable through the configuration utility		
ACPI compliant power management		
Media Access Protocol	CSMA/CA (Collision Avoidance) with ACK	
OS Support	Microsoft Windows 98/98SE	
	Microsoft Windows 2000	
	Microsoft Windows Millennium	
Protocols Supported	TCP/IP	
	IPX/SPX	
	UDP	
LED Activity	Flashing LED – AP Search Mode	
	Solid LED – On	
	LED Off – Power Off	

Throughput, Data Rate and Operating Distance	Throughput	Data Rate	Operating Distance
> 4.5 Mbps		11 Mbps	1000 feet – Open sight
			100 feet – Closed space (Steel Space)
> 2 Mbps		5.5 Mbps	1100 feet – Open sight
			200 feet – Closed space (Steel Space)
> 700 Kbps		1 Mbps	1200 feet – Open sight
			300 feet – Closed space (Steel Space)

Technical Specifications

Bluetooth MultiPort Module	Form Factor	Compaq "MultiPort"		
	Bluetooth	1.1 Compliant		
	Dimensions	2.2 x 6.6 x 0.55 in/5.6 x 16.7 x 1.4 cm		
	Weight	0.22 lb/100 g (maximum)		
	Temperature	Operating	50° to 104°F/10° to 40°C	
		Non-operating	-4° to 140°F/-20° to 60°C	
	Humidity	Operating	10 to 90%	
		Non-operating	5 to 95%	
	Altitude	Operating	0 to 10,000 ft/0 to 3,048 m	
		Non-operating	0 to 30,000 ft/0 to 9,144 m	
	Plug and Play	USB 1.1 compliant		
		Windows Plug and Play compliant		
	Frequency Band	2,4000 to 2.4835 GHz		
	Number of Available Channels	79 (1 MHz) available channels		
	Data Rates and throughput	1 Mbps		
		Synchronous Connection Oriented links up to 3, 64 kbps, voice channels		
		Asynchronous Connection Less links 723.2 kbps/57.6 kbps asymmetric or 433.9 kbps symmetric		
	Antenna type	Internally integrated within module (with special polarization diversity)		
	Range	328 ft/100 m		
	Profile Support	General Access Profile		
		Service Discovery Application Profile		
Serial Port Profile				
Generic Object Exchange Profile				
File Transfer Profile				
Synchronization Profile				
Dial-Up Networking Profile				
LAN Access Profile				
Object Push Profile				

Technical Specifications

Bluetooth MultiPort Module <i>(continued)</i> Usage Models	Service Discovery (determine what Bluetooth devices are within range and support authorization)
	Synchronization: PDAs to PCs Portable to Desktop
	File Transfer: File and directory browsing and navigation on another Bluetooth device. File copying Object manipulation – including add, delete, create new folders etc. Wireless link to Corporate LAN using several Bluetooth devices sharing the same Access Point: Corporate email, network neighborhood, access to LAN applications, file transfer, ftp, Internet browsing, etc, using TCP/IP Wireless link to WAN thru cell phone GSM/SMS, PCS, PHS, DECT, RAM, ARDIS, CDPD, etc. Agnostic to WAN technology Send/receive SMS messages Wireless link to Printer Adhoc peer to peer networking (two computers) or Personal Area Networking (PAN) using NDIS (< 7 computers) Adhoc Bluetooth Pico-networking (point to multi-point) Object Push – Business card or appointment exchange
Transmit Power	< 20 dBm (Bluetooth Class 1)
Receive Sensitivity	Better than –70 dBm at 0.1% raw bit error rate
Link Topology	Point to Point, Multipoint Pico Nets up to 7 slaves
Security	Full support of Bluetooth Security Provisions
Network Architecture Models	Ad-hoc (Peer to Peer) Infrastructure (Access Points Required)
Power Requirement	Peak < 1500mW Average < 500mW Standby < 250mW
Power Management	Windows ACPI, and USB Bus Support Keystrokes Fn+F2 Power On/Off control Self configurable to optimize power conservation in all operating modes, including Standby, Hold, Park, and Sniff
OS Support	Microsoft Windows 98/98SE Microsoft Windows 2000 Microsoft Windows Millennium
Protocols Supported	TCP/IP IPX/SPX UDP
LED Activity	Solid Blue LED – On LED Off – Power Off
Certifications	All necessary regulatory approvals for countries we support including: FCC (47 CFR) Part 15C, Section 15.247 & 15.249 ETS 300 328, ETS 300 826 Low Voltage Directive IEC950 UL, CSA, and CE Mark

Technical Specifications

Type III Mini PCI 56K (V.90) Modem plus 10/100 NIC Combo	Form Factor	Mini-PCI Type III per Specification
	OS Support (with all released Service Packs)	Windows 98 (Gold, SE), Windows NT4.0, Windows 2000, Windows Millennium Edition, DOS Application Support under Windows
	Power Management Support	APM Revision 1.2, ACPI, Compaq Power Management Extensions for Windows NT
	Approvals/Certifications	UL, CSA, NEMKO, CCIB, Industry Canada, FCC Part 68, CTR21, FCC Part 15 Class B, Canadian ICES-003 Class B, C.I.S.P.R.22, Australian ACA, CE Mark, Other Countries
	Modem Device Driver Name	Lucent Win Modem
	Data Mode Capabilities	V.90 (a-law, mu-law)
		K56flex (a-law, mu-law)
		V.8bis
		V.80
		V42.bis, MNP5 (Compression)
	V.42 (LAPM, MNP2-4) (Error Correction)	
	V.34 (file date: 10/96)	
	Optional symbol rates: 2800, 3429 Asymmetric Symbol rates	
	Synchronous primary channel data signaling rates: 3600, 31200 Automatic rate re-negotiation V.32bis V.32 V.23 V.22bis V.22 V.21 Bell 212A Bell 103J	
	Fax Mode Capabilities	TIA-578-S (Class 1)
		T.30, T.4 (Group 3)
		V.17
		V.29
		V.27ter
		V.21 Channel 2
	Command Set	V.250 (Partial)
		TIA-602
		Identification: +GMI, +GMM, +GMR
		Port control: +IPR, +ICF, +IFC, +lirr
		Modulation: +MS, +MR, +MA
		Error control: +ES, +ER, +EB, +ESR, +ETBM
		Data compression: +DS, +DR
		V.251

Technical Specifications

Type III Mini PCI 56K (V.90) Modem plus 10/100 NIC Combo <i>(continued)</i>	NIC Device Driver Name	Intel PRO/100 P Mobile Combo Adapter
	Data Link Layers	IEEE 802.2 LLC
		SNAP
	Ethernet Features	10 Mbps Ethernet: IEEE 802.3 standard 10BASE-T
		100 Mbps Ethernet: IEEE 802.3u standard 100BASE-TX
		Full Duplex at 10 and 100Mbps
		Auto-Negotiation
		Wake on LAN from all power managed states, including soft off (S5)
		Boot on LAN from OFF
		Lower Power State on Link Loss
Software support	IBM LAN Server Version 1.2, 1.3, 2.0, 4.0	
	Microsoft NT 3.51, NT 4.0. Windows 2000	
	Novell Netware 3.1x, 4.x, 5.x	
Protocol support	TCP/IP	
	Novell IPX/SPX and Microsoft compatible	
	Novel IPX ODI	
	Microsoft NetBEUI	
	IBM DLC	

Compaq PCs use genuine Microsoft® Windows®

<http://www.microsoft.com/piracy/howtotell>

©2002 Compaq Canada Corporation. All rights reserved. Compaq, the Compaq logo, Evo, Armada, Deskpro, iPAQ, ProLiant, and Premier•Sound are registered trademarks or trademarks of Compaq Information Technologies Group, L.P. in the U.S. and/or other countries. Microsoft, Windows and Windows NT are registered trademarks or trademarks of Microsoft Corporation in the U.S. and/or other countries. Pentium, Intel, the Intel Inside Logo, and SpeedStep are registered trademarks or trademarks of Intel Corporation in the U.S. and/or other countries. BatteryMark is a trademark of Ziff Davis Publishing Holdings Inc., and affiliate of eTesting Labs Inc., in the U.S. and other countries. Altiris express is a trademark of Altiris, Inc. in the U.S. and/or other countries. All other product names mentioned herein may be trademarks of their respective companies. The information in this publication is subject to change without notice. Printed in Canada.

Compaq shall not be liable for technical or editorial errors or omissions contained herein. The information is provided "as is" without warranty of any kind and is subject to change without notice. The warranties for Compaq products are set forth in the express limited warranty statements accompanying such products. Nothing herein should be construed as constituting an additional warranty.