



### Standard Features

<b>Processor and Panel</b>	14.1-inch colour TFT XGA with 1024 x 768 resolution (up to 16.7M colours internal)	
<i>One of the following:</i>	1.0 GHz on Intel Mobile Pentium® III processor 850 MHz on Intel Mobile Pentium® III processor 750 MHz on Intel Mobile Pentium® III processor 700 MHz on Intel Mobile Pentium® III processor 650 MHz on Intel Mobile Pentium® III processor	
	<i>Note:</i> Intel Mobile Pentium III processors feature Intel SpeedStep™ technology.	
	<i>Note:</i> Mobile Pentium III processors feature 256KB integrated cache.	
<b>Memory</b>	Standard 128 MB - 100MHz SDRAM (64MB down on board, 64MB slot one, second slot open)	
<i>One of the following</i>	Maximum 576 MB - 100MHz SDRAM	
	Standard 64 MB - 100MHz SDRAM (down on board, two slots open)	
	Maximum 576 MB - 100MHz SDRAM	
	<i>Note:</i> Due to the non-industry standard nature of some third-party memory modules, we strongly recommend using only Compaq branded memory modules to ensure compatibility.	
<b>Integrated Communications</b>	Type I Mini PCI	
	Compaq 56 K (V.90) Modem or	
	Compaq 56 K (V.90) Modem plus 10/100 NIC	
	<i>Note:</i> Designed only to allow faster downloads from V.90 compliant sources. Maximum achievable download transmission rates currently do not reach 56 KB/s, and will vary with line conditions.	
	<i>Note:</i> Modem availability is subject to country regulatory approval	
<b>Keyboard</b>	102-key compatible keyboard with isolated, inverted-T cursor control keys, and right-control key, special feature hotkeys for instant access to power conservation, QuickLock/QuickBlank (ex: FN+F6), toggle between internal and external, or simultaneous displays, battery gauge, speaker volume control, brightness and contrast	
<b>Easy Access Internet Buttons</b>	The Armada M700 comes with four Easy Access Internet Buttons allowing quick access to your most popular Internet sites, files and applications. The buttons come pre-set; however, they are user-customizable and designed to increase productivity by providing one-touch access.	
<b>Pointing Device</b>	EasyPoint IV™ 3D Pointing Stick	
<b>PC Card Slots</b>	Two Type II/One Type III PC Card Slot(s) which support both 32-bit CardBus (Full support in Windows 9.x and Windows 2000) and 16-bit PC Cards; zoom video support in bottom slot.	
<b>Storage</b>	Diskette Drives	1.44 MB
	<i>Optical Drives - One of the following:</i>	CD-RW Drive
		8X DVD-ROM Drive
		24X CD-ROM Drive
	Removable Drives	Zip 250
		IBM 1GB Micro Drive (PC Card Drive)
	<i>Hard Drives - One of the following:</i>	30-GB SMART Hard Drive
		20-GB SMART Hard Drive
		12-GB SMART Hard Drive
		10-GB SMART Hard Drive

## Standard Features

<b>Multimedia</b>	<p>Compaq <i>Premiere•Sound™</i> for enhanced stereo audio            Integrated 16-bit Sound Blaster Pro-compatible stereo audio            Integrated stereo speakers and microphone            Software volume control            Headphone-out            Microphone-in            Software MPEG1 support, MPEG2 and DVD            CD-RW Drive <i>(on select models)</i>            8X DVD-ROM Drive with movie playback software <i>(on select models)</i>            24X CD-ROM Drive <i>(on select models)</i>            RCA CompositeTV-out port            2X AGP graphics            8MB SDRAM</p>																														
<b>Interfaces</b>	<table border="0"> <tr> <td>PC Card</td> <td>Two Type II/One Type III</td> </tr> <tr> <td>Enhanced Parallel EPP/ECP</td> <td>1 (can be used to connect external diskette drive)</td> </tr> <tr> <td>Serial Port</td> <td>1</td> </tr> <tr> <td>TV out connector NTSC/PAL</td> <td>1</td> </tr> <tr> <td>External Monitor</td> <td>1</td> </tr> <tr> <td>PS/2 External Keyboard/Pointing Device</td> <td>1 Supports Y-cable in order to attach both Keyboard and Mouse simultaneously</td> </tr> <tr> <td>Expansion Base</td> <td>1</td> </tr> <tr> <td>Headphone/Line-out</td> <td>1</td> </tr> <tr> <td>Microphone in</td> <td>1</td> </tr> <tr> <td>DC Power</td> <td>1</td> </tr> <tr> <td>RJ-11 (modem)</td> <td>1 (Model dependent)</td> </tr> <tr> <td>RJ-45 (NIC)</td> <td>1 (Model dependent)</td> </tr> <tr> <td>Infrared Port</td> <td>1 (4 Mb/s support) (IrDA 4 MB compliant. IR performance will vary depending on performance of IR peripherals and application used.)</td> </tr> <tr> <td>USB Port</td> <td>1</td> </tr> <tr> <td>LED status indicators</td> <td>7</td> </tr> </table>	PC Card	Two Type II/One Type III	Enhanced Parallel EPP/ECP	1 (can be used to connect external diskette drive)	Serial Port	1	TV out connector NTSC/PAL	1	External Monitor	1	PS/2 External Keyboard/Pointing Device	1 Supports Y-cable in order to attach both Keyboard and Mouse simultaneously	Expansion Base	1	Headphone/Line-out	1	Microphone in	1	DC Power	1	RJ-11 (modem)	1 (Model dependent)	RJ-45 (NIC)	1 (Model dependent)	Infrared Port	1 (4 Mb/s support) (IrDA 4 MB compliant. IR performance will vary depending on performance of IR peripherals and application used.)	USB Port	1	LED status indicators	7
PC Card	Two Type II/One Type III																														
Enhanced Parallel EPP/ECP	1 (can be used to connect external diskette drive)																														
Serial Port	1																														
TV out connector NTSC/PAL	1																														
External Monitor	1																														
PS/2 External Keyboard/Pointing Device	1 Supports Y-cable in order to attach both Keyboard and Mouse simultaneously																														
Expansion Base	1																														
Headphone/Line-out	1																														
Microphone in	1																														
DC Power	1																														
RJ-11 (modem)	1 (Model dependent)																														
RJ-45 (NIC)	1 (Model dependent)																														
Infrared Port	1 (4 Mb/s support) (IrDA 4 MB compliant. IR performance will vary depending on performance of IR peripherals and application used.)																														
USB Port	1																														
LED status indicators	7																														
<b>Graphics</b>	ATI Mobility Pro, 64-bit video graphics with 8-MB SDRAM for increased colour depth and graphics performance																														
<b>Operating System</b> <i>One of the following:</i>	<p>Windows 2000/Windows NT 4.0 (Dual Install)  <i>Note: On (Dual Install) systems, the end user must make a one-time selection at initial start up. End users who need to change to another Operating System (OS) other than the one originally selected must obtain a new license for that OS.</i>            Windows 98 SE (Second Edition) (Single Install)</p>																														
<b>Software</b>	<p>Compaq Insight Management Agents            Compaq Intelligent Manageability            Diagnostics for Windows 2000, 9.x or NT            DVD Solution            Compaq Power Management            Compaq Security Management            Online Safety and Comfort Guide            Fax Central for Windows 2000, 98 and NT            Acrobat Reader            Reference Guide</p>																														
<b>System Recovery</b>	Each unit is shipped with a CD kit for quick recovery (erases hard disk and restores manufacturer installed image) and software recovery (installs only selected standard software)																														

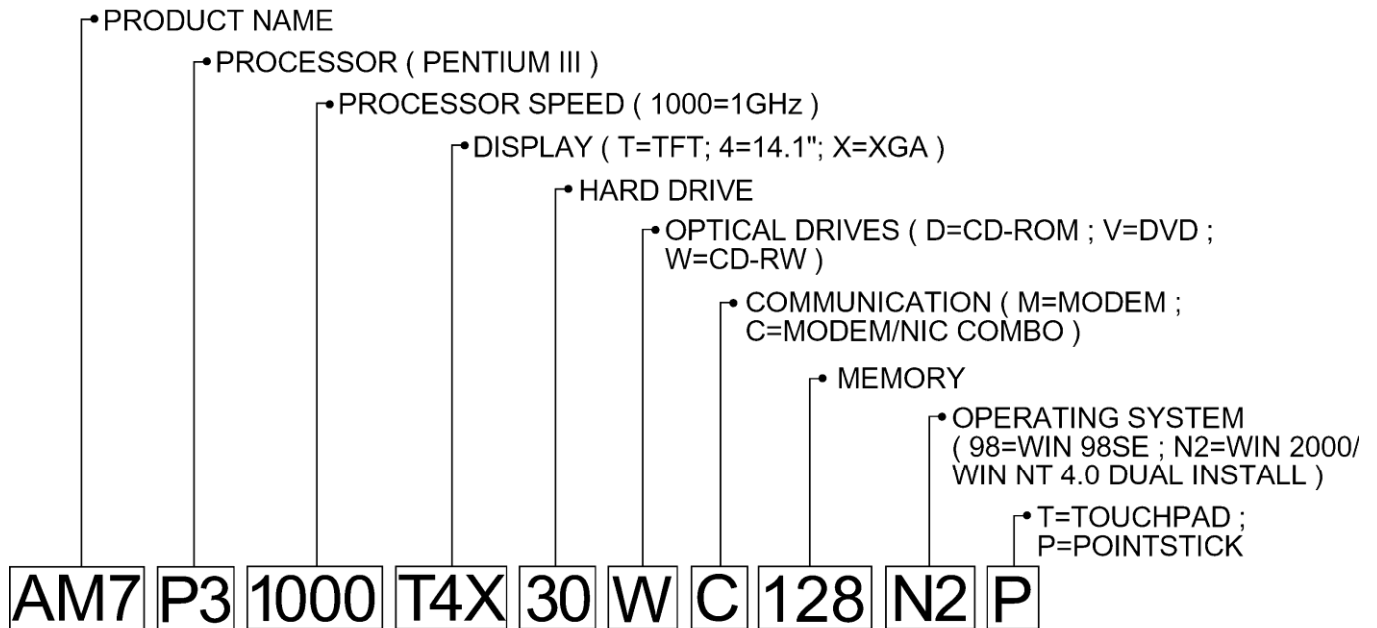
### Standard Features

<b>Intelligent Manageability</b>	<p>Compaq Intelligent Manageability, a key component of PC Lifecycle Solutions, is the broad set of manageability features found on all Compaq Deskpro desktops, Armada Notebooks, Professional Workstations and ProLiant server products. These best-in-class features on PC clients comply with industry standards, such as DMI and Wired for Management, while pioneering new ground in client manageability. Compaq introduced the industry's first line of manageable clients in 1995 and has been driving the industry ever since. With Compaq's lifecycle management philosophy, enterprises have all of the pieces for end-to-end management and proven tools for hassle-free management of PCs and significantly lower Total Cost of Ownership.</p> <p>Intelligent Manageability offers solutions in the areas of Initial Configuration and Deployment, Asset Tracking and Security, Software Updating and Management, and Fault Notification and Recovery. For more information, visit our Web site: <a href="http://www.compaq.com/im">www.compaq.com/im</a>. Note: This Web site is available in English only.</p>
<b>Security</b>	<ul style="list-style-type: none"><li>Configuration Control Hardware</li><li>Memory Change Alert</li><li>Ownership Tag</li><li>Set-up Password</li><li>Power-On Password</li><li>DriveLock</li><li>QuickLock</li><li>QuickBlank</li><li>Enabled for PC SmartCard options</li></ul>
<b>Power Supply</b>	External AC adapter, 6-foot (1.8 m) power cord included. Total length including External AC adapter is 12 feet (3.66 metres)
<b>Battery</b>	<p>The Armada M700 provides 4 hours of battery life using the standard 8-cell Lilon battery. With the additional 6-cell MultiBay battery installed, battery life may be increased to over 6.25 hours.</p> <p>Note: Actual results may vary with product model, configuration, and individual usage. Compaq results of 4:01 (hr:min) were achieved running the eTesting Labs Inc.'s BatteryMark™ Test version 4.0.1 on an M700 with an Intel Pentium III 1 GHz processor, 14.1-inch XGA CTFT Display, 128 MB SDRAM, 30 GB HDD, CD-RW, 8-cell Li-Ion battery and 56k V.90 Modem plus 10/100 NIC combo. System parameters were set according to Ziff Davis recommendations: panel brightness 50%, hard drive standby and video idle time 3 minutes, Intel Speedstep battery optimized mode. The same configuration achieved 6:23 when the CD-RW was replaced with the 6-cell Li-Ion MultiBay battery.</p> <p>Note: This test was performed without independent verification by eTesting Labs Inc. eTesting Labs Inc. makes no representations or warranties as to the result of the test. BatteryMark is a trademark of Ziff Davis Publishing Holdings Inc., and affiliate of eTesting Labs Inc., in the U.S. and other countries.</p>
<b>Power Conservation</b>	<ul style="list-style-type: none"><li>Intel SpeedStep™ technology allows a Battery Optimized Mode where CPU draws 50% of normal power yet affords 70 to 80 % of maximum PIII processing speed</li><li>Hibernation</li><li>Instant-on via Standby</li><li>Pop-ups with three presets</li><li>One custom level of power conservation</li><li>ACPI compliant</li></ul>
<b>MultiBay Devices</b>	MultiBay devices may be swapped with the system powered on (hot) or in suspend mode (warm) under Windows 98 SE or Windows 2000 (except MultiBay Zip 250 drive or MultiBay secondary hard drive). MultiBay devices can be swapped with system power off under any supported operating system.
<b>Service and Support</b>	<p>Compaq Services includes a three-year, Worldwide Limited Warranty, pick-up or carry-in, upgrade to on-site warranty or additional two-year warranty available, and toll-free 7 x 24 hardware technical phone support.</p> <p>Note: Certain restrictions and exclusions apply. Consult the Product Information Centre at 1-888-88-COMPAQ.</p>

## Standard Features

### Naming Convention

The Etymology of a Model name:



## Standard Features

### Models

<b>AM7 P31000T4X20VC128N2P</b> 470011-813, 830	<b>Display</b>	14.1-inch color TFT XGA
	<b>Processor</b>	Intel Pentium III 1.0 GHz
	<b>Cache Memory</b>	256-KB integrated
	<b>Memory</b>	Standard 128 MB SDRAM Maximum 576 MB SDRAM
	<b>Optical Drive</b>	8X DVD-ROM Drive IDE
	<b>Hard Drive</b>	20-GB SMART
	<b>Modem</b>	Mini-PCI V.90 modem/10/100 TX NIC Combo
	<b>Graphics</b>	64-bit video graphics with 8-MB SDRAM
	<b>Audio</b>	Compaq Premier•Sound™
	<b>Software</b>	Windows 2000/NT4.0 (Dual Install)

<b>AM7 P31000T4X20VC12898P</b> 470011-791, 470012-016	<b>Display</b>	14.1-inch color TFT XGA
	<b>Processor</b>	Intel Pentium III 1.0 GHz
	<b>Cache Memory</b>	256-KB integrated
	<b>Memory</b>	Standard 128 MB SDRAM Maximum 576 MB SDRAM
	<b>Optical Drive</b>	8X DVD-ROM Drive IDE
	<b>Hard Drive</b>	20-GB SMART
	<b>Modem</b>	Mini-PCI V.90 modem/10/100 TX NIC Combo
	<b>Graphics</b>	64-bit video graphics with 8-MB SDRAM
	<b>Audio</b>	Compaq Premier•Sound™
	<b>Software</b>	Windows 98 SE

<b>AM7 P31000T4X20WC12898P</b> 470011-802, 806	<b>Display</b>	14.1-inch color TFT XGA
	<b>Processor</b>	Intel Pentium III 1.0 GHz
	<b>Cache Memory</b>	256-KB integrated
	<b>Memory</b>	Standard 128 MB SDRAM Maximum 576 MB SDRAM
	<b>Optical Drive</b>	CD-RW Drive IDE
	<b>Hard Drive</b>	30-GB SMART
	<b>Modem</b>	Mini-PCI V.90 modem/10/100 TX NIC Combo
	<b>Graphics</b>	64-bit video graphics with 8-MB SDRAM
	<b>Audio</b>	Compaq Premier•Sound™
	<b>Software</b>	Windows 2000/NT4.0 (Dual Install)

<b>AM7 P31000T4X30WC12898P</b> 470011-801, 803	<b>Display</b>	14.1-inch color TFT XGA
	<b>Processor</b>	Intel Pentium III 1.0 GHz
	<b>Cache Memory</b>	256-KB integrated
	<b>Memory</b>	Standard 128 MB SDRAM Maximum 576 MB SDRAM
	<b>Optical Drive</b>	CD-RW Drive IDE
	<b>Hard Drive</b>	30-GB SMART
	<b>Modem</b>	Mini-PCI V.90 modem/10/100 TX NIC Combo
	<b>Graphics</b>	64-bit video graphics with 8-MB SDRAM
	<b>Audio</b>	Compaq Premier•Sound™
	<b>Software</b>	Windows 98 SE

### Standard Features

---

<b>AM7 P3850T4X20VC128N2</b> 470006-422, 424	<b>Display</b>	14.1-inch colour TFT XGA
	<b>Processor</b>	Intel Pentium III 850-MHz
	<b>Cache Memory</b>	256-KB integrated
	<b>Memory</b>	Standard 128 MB SDRAM Maximum 576 MB SDRAM
	<b>Optical Drive</b>	8X DVD-ROM Drive IDE
	<b>Hard Drive</b>	20-GB SMART
	<b>Modem</b>	Mini-PCI V.90 modem / 10/100 TX NIC Combo
	<b>Graphics</b>	64-bit video graphics with 8-MB SDRAM
	<b>Audio</b>	Compaq Premier•Sound™
	<b>Software</b>	Windows 2000/ NT4.0 (Dual Install)

---

<b>AM7 P3850T4X20VC12898</b> 470006-421, 423	<b>Display</b>	14.1-inch colour TFT XGA
	<b>Processor</b>	Intel Pentium III 850-MHz
	<b>Cache Memory</b>	256-KB integrated
	<b>Memory</b>	Standard 128 MB SDRAM Maximum 576 MB SDRAM
	<b>Optical Drive</b>	8X DVD-ROM Drive IDE
	<b>Hard Drive</b>	20-GB SMART
	<b>Modem</b>	Mini-PCI V.90 modem / 10/100 TX NIC Combo
	<b>Graphics</b>	64-bit video graphics with 8-MB SDRAM
	<b>Audio</b>	Compaq Premier•Sound™
	<b>Software</b>	Windows 98

---

226171-002, -122	<b>Display</b>	14.1-inch colour TFT XGA
	<b>Processor</b>	Intel Pentium III 750-MHz
	<b>Cache Memory</b>	256-KB integrated
	<b>Memory</b>	128 MB (Standard) to 576 MB (Maximum)
	<b>Optical Drive</b>	8X DVD-ROM Drive IDE
	<b>Hard Drive</b>	12-GB SMART
	<b>Modem</b>	Mini-PCI v.90 modem / 10/100 TX NIC Combo
	<b>Graphics</b>	64-bit video graphics with 8-MB SDRAM
	<b>Audio</b>	Compaq Premier•Sound™
	<b>Software</b>	Windows 98

---

206647-008, -128	<b>Display</b>	14.1-inch colour TFT XGA
	<b>Processor</b>	Intel Pentium III 750-MHz
	<b>Cache Memory</b>	256-KB integrated
	<b>Memory</b>	128 MB (Standard) to 576 MB (Maximum)
	<b>Optical Drive</b>	8X DVD-ROM Drive IDE
	<b>Hard Drive</b>	12-GB SMART
	<b>Modem</b>	Mini-PCI v.90 modem / 10/100 TX NIC Combo
	<b>Graphics</b>	64-bit video graphics with 8-MB SDRAM
	<b>Audio</b>	Compaq Premier•Sound™
	<b>Software</b>	Windows 2000/NT 4.0 Dual Install

### Standard Features

---

**AM7 P3750T4X12VC12N2**  
206647-008, 128

<b>Display</b>	14.1-inch colour TFT XGA
<b>Processor</b>	Intel Pentium III 750-MHz
<b>Cache Memory</b>	256-KB integrated
<b>Memory</b>	Standard 128 MB SDRAM Maximum 576 MB SDRAM
<b>Optical Drive</b>	8X DVD-ROM Drive IDE
<b>Hard Drive</b>	12-GB SMART
<b>Modem</b>	Mini-PCI V.90 modem / 10/100 TX NIC Combo
<b>Graphics</b>	64-bit video graphics with 8-MB SDRAM
<b>Audio</b>	Compaq <i>Premier•Sound™</i>
<b>Software</b>	Windows 2000/NT 4.0 (Dual Install)

---

**AM7 P3750T4X12VC6498N**  
206647-002, 122

<b>Display</b>	14.1-inch colour TFT XGA
<b>Processor</b>	Intel Pentium III 750-MHz
<b>Cache Memory</b>	256-KB integrated
<b>Memory</b>	Standard 64 MB SDRAM Maximum 576 MB SDRAM
<b>Optical Drive</b>	8X DVD-ROM Drive IDE
<b>Hard Drive</b>	12-GB SMART
<b>Modem</b>	Mini-PCI V.90 modem / 10/100 TX NIC Combo
<b>Graphics</b>	64-bit video graphics with 8-MB SDRAM
<b>Audio</b>	Compaq <i>Premier•Sound™</i>
<b>Software</b>	Windows 98

---

226173-002, -122

<b>Display</b>	14.1-inch colour TFT XGA
<b>Processor</b>	Intel Pentium III 700-MHz
<b>Cache Memory</b>	256-KB integrated
<b>Memory</b>	128 MB (Standard) to 576 MB (Maximum)
<b>Optical Drive</b>	8X DVD-ROM Drive IDE
<b>Hard Drive</b>	12-GB SMART
<b>Modem</b>	Mini-PCI v.90 modem / 10/100 TX NIC Combo
<b>Graphics</b>	64-bit video graphics with 8-MB SDRAM
<b>Audio</b>	Compaq <i>Premier•Sound™</i>
<b>Software</b>	Windows 98

---

226172-008, -128

<b>Display</b>	14.1-inch colour TFT XGA
<b>Processor</b>	Intel Pentium III 700-MHz
<b>Cache Memory</b>	256-KB integrated
<b>Memory</b>	128 MB (Standard) to 576 MB (Maximum)
<b>Optical Drive</b>	8X DVD-ROM Drive IDE
<b>Hard Drive</b>	12-GB SMART
<b>Modem</b>	Mini-PCI v.90 modem / 10/100 TX NIC Combo
<b>Graphics</b>	64-bit video graphics with 8-MB SDRAM
<b>Audio</b>	Compaq <i>Premier•Sound™</i>
<b>Software</b>	Windows 2000/NT 4.0 Dual Install

---



### Standard Features

---

<b>AM7 P3700T4X12VC64N2</b> <i>205862-008, 128</i>	<b>Display</b>	14.1-inch colour TFT XGA
	<b>Processor</b>	Intel Pentium III 700-MHz
	<b>Cache Memory</b>	256-KB integrated
	<b>Memory</b>	Standard 64 MB Maximum 576 MB
	<b>Optical Drive</b>	8X DVD-ROM Drive IDE
	<b>Hard Drive</b>	12-GB SMART
	<b>Modem</b>	Mini-PCI V.90 modem / 10/100 TX NIC Combo
	<b>Graphics</b>	64-bit video graphics with 8-MB SDRAM
	<b>Audio</b>	Compaq <i>Premier•Sound™</i>
	<b>Software</b>	Windows 2000/NT 4.0 (Dual Install)

---

<b>AM7 P3700T4X12VC6498</b> <i>205862-002, 122</i>	<b>Display</b>	14.1-inch colour TFT XGA
	<b>Processor</b>	Intel Pentium III 700-MHz
	<b>Cache Memory</b>	256-KB integrated
	<b>Memory</b>	Standard 64 MB Maximum 576 MB
	<b>Optical Drive</b>	8X DVD-ROM Drive IDE
	<b>Hard Drive</b>	12-GB SMART
	<b>Modem</b>	Mini-PCI V.90 modem / 10/100 TX NIC Combo
	<b>Graphics</b>	64-bit video graphics with 8-MB SDRAM
	<b>Audio</b>	Compaq <i>Premier•Sound™</i>
	<b>Software</b>	Windows 98

---

<b>AM7 P3650T4X6DC64N2</b> <i>205859-008, 128</i>	<b>Display</b>	14.1-inch colour TFT XGA
	<b>Processor</b>	Intel Pentium III 650-MHz
	<b>Cache Memory</b>	256-KB integrated
	<b>Memory</b>	Standard 64 MB Maximum 576 MB
	<b>Optical Drive</b>	24X Max CD-ROM Drive IDE
	<b>Hard Drive</b>	6-GB SMART
	<b>Modem</b>	Mini-PCI V.90 modem / 10/100 TX NIC Combo
	<b>Graphics</b>	64-bit video graphics with 8-MB SDRAM
	<b>Audio</b>	Compaq <i>Premier•Sound™</i>
	<b>Software</b>	Windows 2000/NT 4.0 (Dual Install)

---

<b>AM7 P3650T4X12DC6498</b> <i>205859-002, 122</i>	<b>Display</b>	14.1-inch colour TFT XGA
	<b>Processor</b>	Intel Pentium III 650-MHz
	<b>Cache Memory</b>	256-KB integrated
	<b>Memory</b>	Standard 64 MB Maximum 576 MB
	<b>Optical Drive</b>	24X Max CD-ROM Drive IDE
	<b>Hard Drive</b>	12-GB SMART
	<b>Modem</b>	Mini-PCI V.90 modem / 10/100 TX NIC Combo
	<b>Graphics</b>	64-bit video graphics with 8-MB SDRAM
	<b>Audio</b>	Compaq <i>Premier•Sound™</i>
	<b>Software</b>	Windows 98

### Standard Features

---

**AM7 P3650T4X6DM64N2**  
205858-008, 128

<b>Display</b>	14.1-inch colour TFT XGA
<b>Processor</b>	Intel Pentium III 650-MHz
<b>Cache Memory</b>	256-KB integrated
<b>Memory</b>	Standard 64 MB SDRAM Maximum 576 MB SDRAM
<b>Optical Drive</b>	24X Max CD-ROM Drive IDE
<b>Hard Drive</b>	6-GB SMART
<b>Modem</b>	Mini-PCI V.90 modem
<b>Graphics</b>	64-bit video graphics with 8-MB SDRAM
<b>Audio</b>	Compaq <i>Premier•Sound</i> <sup>™</sup>
<b>Software</b>	Windows 2000/NT 4.0 (Dual Install)

---

**AM7 P3650T4X12DM6498**  
205858-002, 122

<b>Display</b>	14.1-inch colour TFT XGA
<b>Processor</b>	Intel Pentium III 650-MHz
<b>Cache Memory</b>	256-KB integrated
<b>Memory</b>	Standard 64 MB SDRAM Maximum 576 MB SDRAM
<b>Optical Drive</b>	24X Max CD-ROM Drive IDE
<b>Hard Drive</b>	6-GB SMART
<b>Modem</b>	Mini-PCI V.90 modem
<b>Graphics</b>	64-bit video graphics with 8-MB SDRAM
<b>Audio</b>	Compaq <i>Premier•Sound</i> <sup>™</sup>
<b>Software</b>	Windows 98

### Options

<b>Memory</b>	256-MB 100MHz Memory Upgrade	161554-B21
	128-MB 100MHz Memory Upgrade	400313-B21
	64-MB 100MHz Memory Upgrade	400312-B21
	(Due to the non-industry standard nature of some third-party Memory modules, we strongly recommend using only Compaq branded Memory modules to ensure compatibility.)	
<b>Monitors</b>	TFT8020 Flat Panel Colour 18-inch (carbon)	159244-001
	TFT5010 Flat Panel Colour 15-inch (carbon)	154486-001
	TFT 5005 Flat Panel Colour 15-inch (carbon)	201430-001
	S710 17-inch CRT (carbon)	154499-002
	P1100 Colour 21-inch	325606-001
	S910 Colour 19-inch	138485-001
<b>MultiBay Hard Drives</b>	30-GB SMART Hard Drive	212791-B25
	20-GB SMART Hard Drive	212790-B25
	10-GB SMART Hard Drive	212789-B25
	12-GB SMART Ultra Hard Drive	163531-B25
	12-GB SMART Ultra Hard Drive Upgrade (Armada M700) with MultiBay system adapter	206637-B25
<b>MultiBay Storage Devices</b>	CD-RW Drive	136186-B25
	8X DVD-ROM Drive	138230-B25
	24X CD-ROM Drive	298452-B25
	2X SuperDisk Drive LS-120	197895-B25
	Zip 250 Drive	217387-B25
	IBM 1GB Microdrive (PC card Device)	217390-B25
<b>Connectivity</b>	1394 PC Card	177593-B25
	For additional compatible PC Cards, view the Compaq PC Card Solutions List on the Compaq Web site at: <a href="http://www.compaq.com/support/techpubs/pcmcia/">http://www.compaq.com/support/techpubs/pcmcia/</a> Note: This Web site is available in English only. Note: Designed only to allow faster downloads from V.90 compliant sources. Maximum achievable download transmission rates currently do not reach 56 KB/s, and will vary with line conditions.	
<b>Wireless Connectivity</b>	Compaq WL100 11 Mb/s Wireless LAN PC Card	146927-001
	Compaq WL400 11 Mb/s Wireless LAN Hardware Access Point	158603-001
	Compaq WL300 Software Access Point 11Mb/s	157209-B21
	For more information on Compaq WLAN Wireless LAN solutions visit: <a href="http://www.compaq.com/products/wlan/wl100-specifications.html">http://www.compaq.com/products/wlan/wl100-specifications.html</a> Note: This Web site is available in English only.	

### Options

<b>Expansion Bases</b>	ArmadaStation EM	383500-001
	ArmadaStation EM with NIC	120266-001
	ArmadaStation Tower Stand	123129-B25
	Convenience Base EM	382500-001
	Convenience Base EM with NIC	120971-001
	Convenience Base Monitor Stand	122931-B25
	Port Replicator EM	382300-001
	PCI Cardbus Reader	127397-B25
<b>Power</b>	Primary Battery (8-cells)	134111-B21
	Common Armada Power Solutions – Armada E500, Armada M300 and Armada M700	
	MultiBay Battery (6-cells)	387937-B25
	External Battery Charger	135555-001
	AC Adapter 50W	120765-001
	Auto Power Adapter/Charger	401043-B25
	Aircraft Power Adapter	386504-B21
	AC Line Cord (10-ft/3.1 m)	217932-002
<b>Input Devices</b>	External Enhanced III Keyboard (carbon)	118003-008
	Compaq 2 Button Mouse (carbon)	103180-B21
	USB Mouse	195255-B25
	External 10-Key Numeric Keypad (carbon)	294317-B21
	Compaq Scroll Mouse	170299-B21
<b>Security</b>	Biometrics PC Card	146805-B25
	Security Cable Lock	294316-B21
	Compaq Smart Card PC Card Reader	135646-B25
<b>Invaluable Accessories</b>	Compaq Armada Headset with microphone	220460-001
	MP1400 Microportable Projector	174626-001
	MP1800 Microportable Projector	180226-001
	MP2800 Microportable Projector	180228-001
	Multimedia Adapter and Remote Kit for MP 1400 ( <i>comes standard with the MP1800</i> )	174963-001
	MP1800/1400 Lamp replacement kit	189789-001
	MP2800 Lamp replacement kit	215464-001

### Options

Carrying Cases	Compaq Value Case	294266-B21
	Compaq Workstation Case	294267-B21
	Compaq Global Case	294268-B21
	Compaq Professional Case (nylon)	401366-B21
	Compaq Professional Case (leather)	401367-B21
	<b><i>Armada M300 and Armada M700 specific</i></b>	
	Compaq M Series Portfolio Case	167337-B21
Compaq Ultralight Case	167336-B21	
For additional Compaq Brand cases, call 1-800-888-5903.		

### Memory

#### Compaq Armada M700

##### STANDARD MEMORY

64-MB SDRAM installed on the System Board

Memory		Slot 1	Slot 2
Standard	64 MB	Empty	Empty
	128 MB	64 MB	Empty

##### STANDARD MEMORY PLUS OPTIONAL MEMORY

Support for up to 576 MB of SDRAM memory is available with the installation of optional SDRAM Memory Kits in addition to the 64-MB SDRAM on the System Board.

Memory		Slot 1	Slot 2
Up To	192 MB	64 MB	64 MB
	256 MB	64 MB	128 MB
	320 MB	128 MB	128 MB
	384 MB	64 MB	256 MB
	384 MB	256 MB	64 MB
	448 MB	128 MB	256 MB
	576 MB	256 MB	256 MB

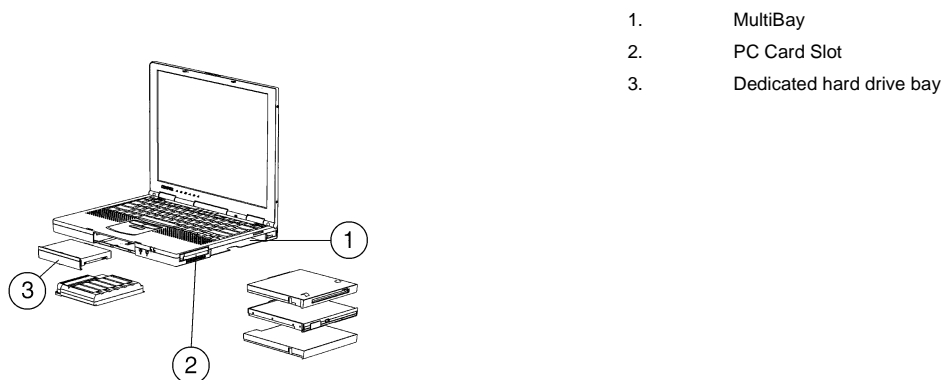
Note: This chart does not represent all possible memory configurations.

Following are memory options available from Compaq:

- 256-MB 100 MHz Memory Upgrade 161554-B21
- 128-MB 100 MHz Memory Upgrade 400313-B21
- 64-MB 100 MHz Memory Upgrade 400312-B21

Note: Due to the non-industry standard nature of some third-party memory modules, we strongly recommend using only Compaq branded memory modules to ensure compatibility.

## Storage



1. MultiBay
2. PC Card Slot
3. Dedicated hard drive bay

### DRIVE SUPPORT

System Drive Support	Quantity Supported	Drive Bay Supported
<b>Removable Media</b>		
1.44-MB Diskette Drive	1	MultiBay
CD-RW Drive	1	MultiBay
8X DVD-ROM Drive	1	MultiBay
24X CD-ROM Drive	1	MultiBay
MultiBay Diskette Drive	1	MultiBay; External (through parallel port cable)
2X SuperDisk LS-120	1	MultiBay
IBM 1GB Micro Drive (PC Card Drive)	2	PC Card Slot
<b>Hard Drives</b>		
30-GB SMART Hard Drive	2	Dedicated hard drive bay
20-GB SMART Hard Drive	2	Dedicated hard drive bay
12-GB SMART Hard Drive	2	Dedicated hard drive bay
10-GB SMART Hard Drive	2	Dedicated hard drive bay

### Technical Specifications

<b>System Unit</b>	<b>Dimensions (HxWxD)</b>	14.1-inch TFT panel display	1.2 x 12.4 x 9.8 in/31.4 x 24.9 x 3.048 cm
		13.3-inch TFT panel display	1.2 x 12.4 x 9.8 in/31.4 x 24.9 x 3.048 cm
<b>Weight</b>		14.1-inch TFT panel display/weight saver	5.1 lbs/2.3 kg
		13.1-inch TFT panel display/weight saver	4.8 lbs/2.2 kg
<b>Stand-Alone Power Requirements</b>		Nominal Operating Voltage (Li-Ion)	14.4V (8-cell), 10.8V (6-cell)
		Average Operating Power	15W
		Peak Operating Power	30W
<b>Power Supply</b>		Rated Input Voltage	90 to 264 VAC (auto-switching)
		Rated Input Current	< 60W
		Rated Frequency	47 to 63 Hz
<b>Temperature</b>		Operating	50° to 95° F/10° to 35° C
		Non-operating	-4° to 140° F/-20° to 60° C
<b>Relative Humidity</b>		Operating	10% to 90% relative humidity, non-condensing
		Non-operating	5% to 95% relative humidity, 101.6° F/38.7° C Maximum wet-bulb temperature
<b>Shock</b>		Operating	10 G, 11 ms, half-sine
		Non-operating	60 G, 11 ms, half-sine
<b>Vibration</b>		Operating	0.5 G zero-to-peak, 10 to 500 Hz, 0.25 oct/minimum sweep rate
		Non-operating	1.0 G, zero-to-peak, 10 to 500 Hz, 0.5 oct/minimum sweep rate
<b>Maximum Altitude (unpressurized)</b>		Operating	0 to 10,000 ft/(0 to 3,048 m)
		Non-operating	0 to 30,000 ft/(0 to 9,144 m)



## Technical Specifications

### 14.1-Inch Colour TFT XGA Display

<b>Dimensions (HxW)</b>	11.22 x 8.46 in/28.5 x 21.5 cm	
<b>Diagonal Size</b>	14.1 in/35.81 cm	
<b>Mounting</b>	Internal Panel Supports, Side Mounted	
<b>Number of Colours</b>	Up to 16.8M	
<b>Contrast Ratio</b>	150:1	
<b>Brightness</b>	120nt typ	
<b>Pixel Resolution</b>	Pitch	0.264 x 0.264 mm
	Format	1024 x 768
	Configuration	RGB stripe
<b>Backlight</b>	Edge Lit	
<b>Character Display</b>	80 x 25	
<b>Total Power Consumption</b>	4.2W	

### 13.3-Inch Colour TFT XGA Display

<b>Dimensions (HxW)</b>	10.6 x 8 in/26.9 x 20.3 cm	
<b>Diagonal Size</b>	13.3 in/33.8 cm	
<b>Mounting</b>	Internal Panel Support	
<b>Number of Colors</b>	Up to 16.8M	
<b>Contrast Ratio</b>	150:1	
<b>Brightness</b>	120nt typ	
<b>Pixel Resolution</b>	Pitch	0.264 x 0.264 mm
	Format	1024 x 768
	Configuration	RGB Stripe
<b>Backlight</b>	Edge Lit	
<b>Character Display</b>	80 x 25	
<b>Total Power Consumption</b>	4.2W	

## Technical Specifications

### Hard Drives

<b>30GB</b>	<b>Capacity</b>	30 GB		
	<b>Height</b>	0.5 in/12.7 cm		
	<b>Width</b>	2.75 in/70 mm		
	<b>Interface</b>	ATA-5		
	<b>Transfer Rate</b>	Synchronous (Maximum)	66.6 MB/s	
		Security	ATA Security	
	<b>Seek Time</b> (typical reads, including settling)	Single Track	2.5 ms	
		Average	12 ms	
		Maximum	23 ms	
	<b>Rotational Speed</b>	4200 rpm		
	<b>Logical Blocks</b>	58,605,120		
<b>Operating Temperature</b>	41° to 131° F/5° to 55° C			

<b>20GB</b>	<b>Capacity</b>	20 GB		
	<b>Height</b>	0.5 in/12.7 mm		
	<b>Width</b>	2.75 in/70 mm		
	<b>Interface</b>	ATA-5		
	<b>Transfer Rate</b>	Synchronous (Maximum)	66.6 MB/s (Drive Capability)	
		Security	ATA Security	
	<b>Seek Time</b> (typical reads, including settling)	Single Track	2.5 ms	
		Average	12 ms	
		Maximum	23 ms	
	<b>Rotational Speed</b>	4200 rpm		
	<b>Logical Blocks</b>	~ 39,070,080		
<b>Operating Temperature</b>	41° to 131° F/5° to 55° C			

<b>12GB</b>	<b>Capacity</b>	12 GB		
	<b>Height</b>	0.5 in/12.7 mm		
	<b>Width</b>	2.75 in/70 mm		
	<b>Interface</b>	ATA-4		
	<b>Transfer Rate</b>	Synchronous (Maximum)	66.6 MB/s (Drive Capability)	
		Security	ATA Security	
	<b>Seek Time</b> (typical reads, including settling)	Single Track	2.5 ms	
		Average	12 ms	
		Maximum	23 ms	
	<b>Rotational Speed</b>	4200 rpm		
	<b>Logical Blocks</b>	23,579,136		
<b>Operating Temperature</b>	41° to 131° F/5° to 55° C			

## Technical Specifications

### Hard Drives *(continued)*

<b>10GB</b>	<b>Capacity</b>	10 GB		
	<b>Height</b>	0.5 in/12.7 mm		
	<b>Width</b>	2.75 in/70 mm		
	<b>Interface</b>	ATA-4		
	<b>Transfer Rate</b>	Synchronous (Maximum)	66.6 MB/s (Drive Capability)	
		Security	ATA Security	
	<b>Seek Time</b> (typical reads, including settling)	Single Track	3 ms	
		Average	12 ms	
		Maximum	23 ms	
	<b>Rotational Speed</b>	4200 rpm		
	<b>Logical Blocks</b>	~ 19,792,896		
<b>Operating Temperature</b>	41° to 131° F/5° to 55° C			

### Diskette Drive

<b>Diskette Size</b>	3.5 in	
<b>Activity Indicator</b>	On system	
<b>Height</b>	0.5 in/12.7 mm	
<b>Bytes per Sector</b>	512	
<b>Sectors per track</b>	High density	18 (1.44 MB)/15 (1.2 MB)
	Low density	9
<b>Tracks per side</b>	High density	80 (1.44 MB)/80 (1.2 MB)
	Low density	80
<b>Read/Write heads</b>	2	
<b>Access Times</b>	Track-to track (high/low)	3 ms/6 ms
	Average (high/low)	94 ms/174 ms
	Settling time	15 ms
	Latency average	100 ms

### Technical Specifications

External AC Adapter	<b>Dimensions (HxWxD)</b>	1.15 x 2.375 x 1.4 in/2.92 x 6.03 x 3.6 cm		
	<b>Weight</b>	0.66 lb/0.3 kg		
	<b>Power Supply (Input)</b>	Operating Voltage	90 to 260 VAC RMS	
		Operating Current	1.1 A RMS	
		Operating Frequency Range	47 to 63 Hz AC	
Maximum Transient		4/50 kV		
Li-Ion Battery Pack (8-cell)	<b>Dimensions (HxWxD)</b>	4.79 X 4.17 X 0.79 in/121.7 x 106 x 20 mm		
	<b>Weight</b>	0.97 lb/0.44 kg		
	<b>Energy</b>	Voltage	14.8 V	
		Amp-hour capacity	3.2 Ah	
		Watt-hour capacity	47.4Wh	
	<b>Temperature</b>	Operating	32° to 104° F/0° to 40° C	
		Non-operating	32° to 140° F/0° to 60° C	

## Technical Specifications

CD-RW Drive	<b>Centre Hole Diameter</b>	0.59 in/1.5 cm	
	<b>Disk Diameter</b>	12 cm/8 cm	
	<b>Disk Thickness</b>	0.047 in/1.2 mm	
	<b>Track Pitch</b>	0.74 $\mu$ m	
	<b>Access Times</b> (typical reads, including settling)	Random	< 150 ms
		Full-Stroke	< 225 ms
	<b>Audio Output Level</b>	Line-out	0.7 Vrms
	<b>Cache Buffer</b>	128 KB/s (minimum)	
	<b>Data Transfer Rate</b> (typical, including settling)	Sustained (16X)	150 KB/s
		Sustained 4X DVD	5,520 KB/s
		Normal PIO Mode 4 (single burst)	16.6 MB/s
	<b>Start-up Time</b>	< 15 sec	
<b>Stop Time</b>	< 6 sec		

8X DVD-ROM Drive	<b>Centre Hole Diameter</b>	0.59 in/1.5 cm	
	<b>Disk Diameter</b>	12 cm/8 cm	
	<b>Disk Thickness</b>	1.2 mm	
	<b>Track Pitch</b>	0.74 $\mu$ m	
	<b>Access Times</b> (typical reads, including settling)	Random	< 150 ms
		Full-Stroke	< 225 ms
	<b>Audio Output Level</b>	Line-out	0.7 Vrms
	<b>Cache Buffer</b>	128 KB/s (minimum)	
	<b>Data Transfer Rate</b> (typical, including settling)	Sustained (16X)	150 KB/s
		Variable	5,520 KB/s
		Normal PIO Mode 4 (single burst)	16.6 MB/s
	<b>Start-up Time</b>	< 15 sec	
<b>Stop Time</b>	< 6 sec		

## Technical Specifications

24X CD-ROM Drive	<b>Applicable Disk</b>	CD-ROM (Mode 1, 2 and 3), CD-XA ready (Mode 2, Form 1 and 2), CD-I ready (Mode 2, Form 1 and 2), CD-R (read only), CD Plus, Photo CD (Single and Multi-session), CD-Extra, Video CD, CD-WO (fixed packets only), CD-Bridge		
	<b>Centre Hole Diameter</b>	0.59 in/1.5 cm		
	<b>Disk Diameter</b>	12 cm, 8 cm		
	<b>Disk Thickness</b>	0.047 in/1.2 mm		
	<b>Track Pitch</b>	1.6 µm		
	<b>Access Times</b> (typical reads, including settling)	Random	< 150 ms	
		Full-Stroke	< 300 ms	
	<b>Audio Output Level</b>	Line-out	0.7 Vrms	
	<b>Cache Buffer</b>	128 KB		
	<b>Data Transfer Rate</b> (typical, including settling)	Sustained (16X)	150 KB/s (sustained 1X)	
		Variable	1500 to 3600 KB/s (10X to 24X)	
		Normal PIO Mode 4 (single burst)	16.66 MB/s	
	<b>Start-up Time</b>	< 8 sec		
<b>Stop Time</b>	< 4 sec			

Intel PRO/100+ Mini PCI	<b>Ethernet Features</b>	10 Mb/s Ethernet: IEEE 802.3 standard 10Base T 100 Mb/s Ethernet: IEEE 802.3u standard 100Base TX Full Duplex at 10 and 100Mb/s Auto-Negotiation Wake on LAN from all power managed states, including soft off (S5) Boot on LAN from OFF Lower Power State on Link Loss	
	<b>Data Link Layers</b>	IEEE 802.2 LLC SNAP	
	<b>Software support</b>	Artisoft Lantastic 7.0, 8.0, Dedicated Server 1.1 Banyan 7.x, 8.5x IBM LAN Server Version 1.2, 1.3, 2.0, 4.0 Microsoft NT 3.51, NT 4.0. Windows 2000 Novell Netware 3.1x, 4.x, 5.x	
	<b>Protocol support</b>	TCP/IP Novell IPX/SPX and Microsoft compatible Novel IPX ODI Microsoft NetBEUI Sun Microsystems PC-NFS Banyan Vines Ethernet IBM DLC	

### Technical Specifications

<b>Compaq 56K(V.90) plus Intel PRO/100+ Mini PCI</b>	<b>Form Factor</b>	Mini-PCI Type 1B per Specification
	<b>OS Support</b> (with all released Service Packs)	Windows 95 (OSR2.x), Windows 98 SE (Gold, SE), Windows NT4.0, Windows 2000, DOS Application Support under Windows
	<b>Power Management Support</b>	APM Revision 1.2, ACPI, Compaq Power Management Extensions for Windows NT
	<b>Approvals/Certifications</b>	UL, CSA, NEMKO, CCIB, Industry Canada, FCC Part 68, CTR21, FCC Part 15 Class B, Canadian ICES-003 Class B, C.I.S.P.R.22, Australian ACA, CE Mark, Other Countries
	<b>Modem Device Driver Name</b>	Compaq 56K (V.90) Mini PCI
	<b>Data Mode Capabilities</b>	V.90 (a-law, mu-law) K56flex (a-law, mu-law) V.8bis V.80 V42.bis, MNP5 (Compression) V.42 (LAPM, MNP2-4) (Error Correction) V.34 (file date: 10/96) Optional symbol rates: 2800, 3429 Asymmetric Symbol rates Synchronous primary channel data signaling rates: 3600, 31200 Automatic rate re-negotiation V.32bis V.32 V.23 V.22bis V.22 V.21 Bell 212A Bell 103J
	<b>Fax Mode Capabilities</b>	TIA-578-S (Class 1) T.30, T.4 (Group 3) V.17 V.29 V.27ter V.21 Channel 2
<b>Command Set</b>	V.250 (Partial) TIA-602 Identification: +GMI, +GMM, +GMR Port control: +IPR, +ICF, +IFC, +IIRR Modulation: +MS, +MR, +MA Error control: +ES, +ER, +EB, +ESR, +ETBM Data compression: +DS, +DR V.251	

Compaq PCs use genuine Microsoft® Windows®

<http://www.microsoft.com/piracy/howtotell>

©2001 Compaq Canada Corporation. All rights reserved. Compaq is a trademark of Compaq Computer Corporation. Microsoft and Windows are trademarks of Microsoft Corporation in the U.S. and other countries. The information in this publication is subject to change without notice. Printed in Canada.