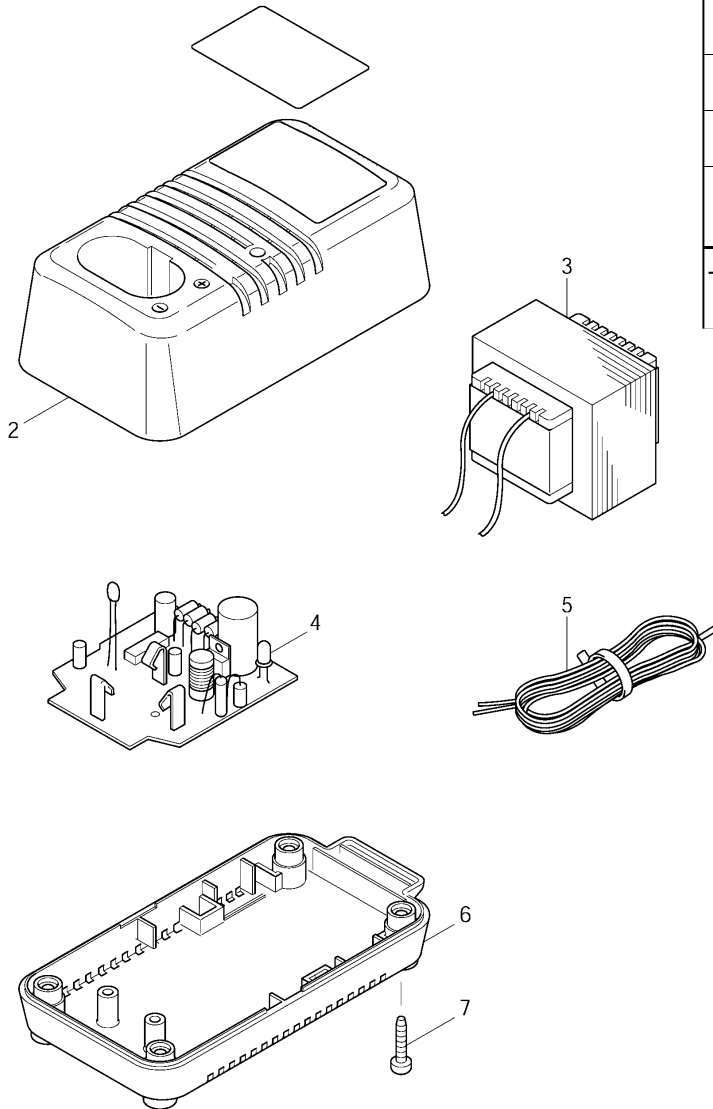


# CHARGER For 9.6V ~ 18V Ni-Cad 1.3AH Batteries

## Model DC1850



Model No.	DC1850
Part No.	DC1850
Power Source	A.C. Only 115V
Batteries	For 9.6V ~ 18 V, 1.3Ah Ni-Cad Batteries
Tool Model No.	All 9.6V ~ 18V Cartridge Battery Tool Models

ITEM NO.	PART NO.	NO. USED	DESCRIPTION
2	153874-9	1	CHARGER CASE COM
3	649237-0	1	TRANSFORMER
4	631632-8	1	CIRCUIT BOARD
5	667840-5	1	VINYL CORD
6	418673-9	1	CHARGER CASE COVER
7	266316-5	4	TAPPING SCREW BT 4X20