

VGN-B90PS VGN-B100/B100B/B150FP VGN-B1VP/B1XP/B3VP/B3XP VGN-B55C/B55G/B55L/B55S/B55T/B88C/B88GP/B88L

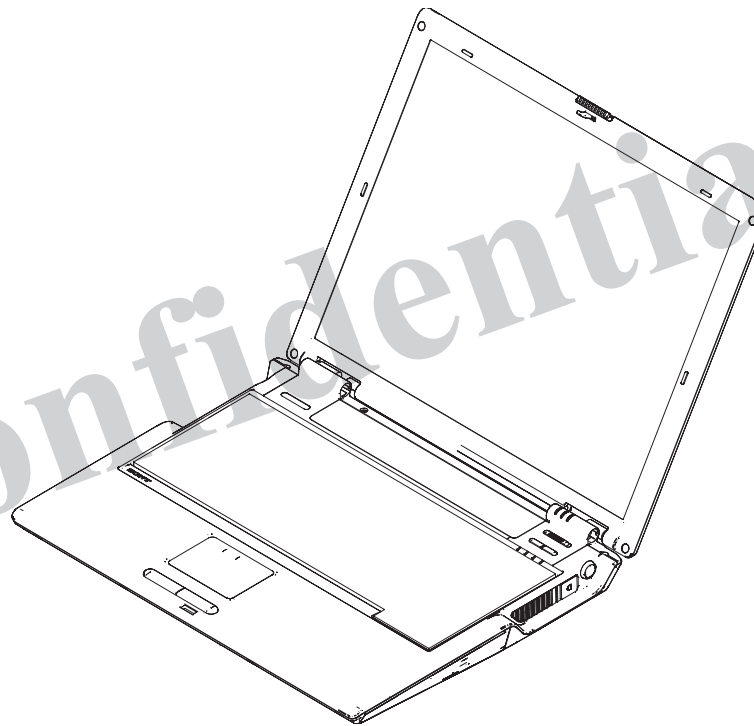
SERVICE MANUAL

Ver 5-2005D

Revision History

Area	Model	Lineup
Japanese	Japanese	VGN-B90PS*
American	US/Canadian	VGN-B100B* VGN-B100*
	Latin	VGN-B150FP △ [MA]
European	AEP/UK	VGN-B1XP
		VGN-B1VP
		VGN-B3XP VGN-B3VP △ [MA]
Asian/ Oceania/ South Africa	International	VGN-B88GP △ [MA]
		VGN-B55G △ [MA]
	Korean	VGN-B88L △ [MA]
		VGN-B55L △ [MA]
	Chinese	VGN-B88C △ [MA]
		VGN-B55C △ [MA]
Taiwan	VGN-B55T △ [MA]	
Thai	VGN-B55S △ [MA]	

* : CTO model



- Design and specifications are subject to change without notice.
- 本機の仕様および外観は、改良のため予告なく変更することがありますが、ご了承ください。

PERSONAL COMPUTER

SONY[®]

Information in this document is subject to change without notice.

Sony, VAIO and CLIE are trademarks or registered trademarks of Sony. Microsoft, Windows, Windows Media, Outlook, Bookshelf and other Microsoft products are trademarks or registered trademarks of Microsoft Corporation in the United State and other countries.

The word Bluetooth and the Bluetooth logo are trademarks of Bluetooth SIG, Inc. AMD, the AMD logo, other AMD product names and combinations thereof are trademarks of Advanced Micro Devices, Inc. Intel Inside logo, Pentium and Celeron are trademarks or registered trademarks of Intel Corporation. Transmeta, the Transmeta logo, Crusoe Processor, the Crusoe logo and combinations thereof are trademarks of Transmeta Corporation in the USA and other countries.

Graffiti, Hotsync, PalmModem, and Palm OS are registered trademarks, and the Hotsync logo and Palm are trademarks of Palm, Inc. or its sub sidiaries. (M) and Motrola are trademarks of Motrola, Inc. Other Motrola products and services with (R) mark like Dragomball are the trademarks of Motrola, Inc.

All other name of systems, products and services in this manual are trademarks or registered trademarks of their respective owners.

In this manual, the (TM) or (R) mark are not specified.

Caution Markings for Lithium/Ion Battery - The following or similar texts shall be provided on battery pack of equipment or in both the operating and the service instructions.

CAUTION: Danger of explosion if battery is incorrectly replaced. Replace only with the same or equivalent type recommended by the manufacturer. Discard used batteries according to the manufactureris instructions.

CAUTION: The battery pack used in this device may present a fire or chemical burn hazard if mistreated. Do not disassemble, heat above 100°C (212°F) or incinerate.

Dispose of used battery promptly.
Keep away from children.

CAUTION: Changing the back up battery.

• Overcharging, short circuiting, reverse charging, mutilation or incineration of the cells must be avoided to prevent one or more of the following occurrence; release of toxic materials, release of hydrogen and/or oxygen gas, rise in surface temperature.

• If a cell has leaked or vented, it should be replaced immediately while avoiding to touch it without any rotection.

Service and Inspection Precautions

1. Obey precautionary markings and instructions

Labels and stamps on the cabinet, chassis, and components identify areas requiring special precautions. Be sure to observe these precautions, as well as all precautions listed in the operating manual and other associated documents.

2. Use designated parts only

The setis components possess important safety characteristics, such as noncombustibility and the ability to tolerate large voltages. Be sure that replacement parts possess the same safety characteristics as the originals. Also remember that the Δ mark, which appears in circuit diagrams and parts lists, denotes components that have particularly important safety functions; be extra sure to use only the designated components.

3. Always follow the original design when mounting parts and routing wires

The original layout includes various safety features, such as inclusion of insulating materials (tubes and tape) and the mounting of parts above the printer board. In addition, internal wiring has been routed and clamped so as to keep it away from hot or high-voltage parts. When mounting parts or routing wires, therefore, be sure to duplicate the original layout.

4. Inspect after completing service

After servicing, inspect to make sure that all screws, components, and wiring have been returned to their original condition. Also check the area around the repair location to ensure that repair work has caused no damage, and confirm safety.

5. When replacing chip components...

Never reuse components. Also remember that the negative side of tantalum capacitors is easily damaged by heat.

6. When handling flexible print boards...

- The temperature of the soldering-iron tip should be about 270°C.
- Do not apply the tip more than three times to the same pattern.
- Handle patterns with care; never apply force.

Caution: Remember that hard disk drives are easily damaged by vibration. Always handle with care.

ATTENTION AU COMPOSANT AYANT RAPPORT À LA SÉCURITÉ!

LES COMPOSANTS IDENTIFÉS PAR UNE MARQUE Δ SUR LES DIAGRAMMES SCHÉMATIQUES ET LA LISTE DES PIÈCES SONT CRITIQUES POUR LA SÉCURITÉ DE FONCTIONNEMENT. NE REMPLACER CES COMPOSANTS QUE PAR DES PIÈSES SONY DONT LES NUMÉROS SONT DONNÉS DANS CE MANUEL OU DANS LES SUPPLÉMENTS PUBLIÉS PAR SONY.

Confidential

VGN-B90PS (J)
VGN-B100/B100B/B150FP (AM)
VGN-B1VP/B1XP/B3VP/B3XP (EU)
VGN-B55C/B55G/B55L/B55S/B55T/B88C/B88GP/B88L (AO)

TABLE OF CONTENTS

<u>Section</u>	<u>Title</u>	<u>Page</u>
CHAPTER 1. SPECIFICATIONS		
1-1.	Specifications	1-1
1-2.	CTO Information	1-2
		(to 1-2)
CHAPTER 2. BLOCK DIAGRAM		
		2-1
		(to 2-1)
CHAPTER 3. FRAME HARNESS DIAGRAM		
		3-1
		(to 3-1)
CHAPTER 4. EXPLODED VIEWS AND PARTS LIST		
Palmrest		
	P-1	4-2
Main Board		
	M-1	4-4
Bottom		
	B-1	4-6
LCD		
	L-1. 14.1 SXGA+ (To)	4-8
	L-2. 14.1 XGA (Hi)	4-10
	L-3. 14.1 XGA (CPT)	4-12
Accessories		
	A-1	4-14
		(to 4-14)
CHAPTER 5. OTHERS		
5-1.	The Barcode Label	5-1
5-1.	Replacing the CPU	5-2
		(to 5-2)

History of the changes is shown as the
“Revision History” at the end of this data.

変更履歴は、“ Revision History ”として、
本データ末に記載してあります。

Confidential

VGN-B90PS (J)
VGN-B100/B100B/B150FP (AM)
VGN-B1VP/B1XP/B3VP/B3XP (EU)
VGN-B55C/B55G/B55L/B55S/B55T/B88C/B88GP/B88L (AO)

CHAPTER 1. SPECIFICATIONS

1-1. Specifications

	J	AM			EU		
	VGN-B90PS*	VGN-B100B*, B100*	VGN-B150FP	VGN-B1XP	VGN-B1VP	VGN-B3XP	VGN-B3VP
CPU	PM 755,745,725,CM350	PM 755,745,735,725,715,CM350	PM715	PM735	PM725	PM745	PM725
ChipSet	855GME	855GME	855GME	855GME	855GME	855GME	855GME
LCD	14.1SXGA+, 14.1XGA	14.1SXGA+, 14.1XGA	14.1 XGA	14.1 SXGA+	14.1 XGA	14.1 SXGA+	14.1 XGA
HDD	80GB,60GB,40GB	100GB,80GB,60GB,40GB,30GB	40GB	60GB	40GB	80GB	60GB
MEMORY(On board)	512MB, 256MB	*1)	512MB(DDR333)	512MB(DDR333)	512MB(DDR333)	512MB(DDR333)	512MB(DDR333)
MEMORY(Slot)	- /512MB		-	-	-	-	-
QUANTITY(STANDARD/MAX)	/1536MB		/1536MB	512MB/1536MB	512MB/1GB	512MB/1GB	512MB/1.5GB
OPT-DRIVE	DVD+-RW,Combo(24)	DVD+-RW,Combo(24),DVD-ROM	Combo(24)	DVD+-RW	Combo(24)	DVD+-RW/12.7/x8/+DL	DVD+-RW/12.7/x8/+DL
AC adaptor	VGP-AC16V8	VGP-AC16V8	VGP-AC16V8	VGP-AC16V8	VGP-AC16V8	VGP-AC16V8	VGP-AC16V8
Battery	PCGA-BP2V	PCGA-BP2V	PCGA-BP2V	PCGA-BP2V	PCGA-BP2V	PCGA-BP2V	PCGA-BP2V
Wireless-LAN	○	○/×	○	○	○	○	○
Bluetooth	×	×	×	×	×	×	×
OS	XP Pro	XP Pro, XP Home	XP Pro	XP Pro	XP Pro	XP Pro	XP Pro

*1)512MB(On board)+1GB(slot) /512MB(On board)+512MB(slot) /512MB(On board)/256MB(On board)

△ [MA]

△ [MA]

△ [MA]

	AO							
	VGN-B88GP	VGN-B88L	VGN-B55G	VGN-B55S	VGN-B55L	VGN-B55T	VGN-B88C	VGN-B55C
CPU	PM715	PM715	PM715	PM715	PM715	PM715	PM725	CM350
ChipSet	855GME	855GME	855GME	855GME	855GME	855GME	855GME	855GME
LCD	14.1 SXGA+	14.1 XGA	14.1 XGA	14.1 XGA	14.1 XGA	14.1 XGA	14.1 XGA	14.1 XGA
HDD	40GB	60GB	40GB	40GB	40GB	40GB	40GB	40GB
MEMORY(On board)	512MB(DDR333)	256MB(DDR333)	256MB(DDR333)	256MB(DDR333)	256MB(DDR333)	256MB(DDR333)	256MB(DDR333)	256MB(DDR333)
MEMORY(Slot)	-	-	-	-	-	-	-	-
QUANTITY(STANDARD/MAX)	512MB/1536MB	256MB/1280MB	256MB/1280MB	256MB/1280MB	256MB/1280MB	256MB/1280MB	256MB/1280MB	256MB/1280MB
OPT-DRIVE	DVD+-RW	Combo(24)	Combo(24)	Combo(24)	Combo(24)	Combo(24)	Combo(24)	Combo(24)
AC adaptor	VGP-AC16V8	VGP-AC16V8	VGP-AC16V8	VGP-AC16V8	VGP-AC16V8	VGP-AC16V8	VGP-AC16V8	VGP-AC16V8
Battery	PCGA-BP2V	PCGA-BP2V	PCGA-BP2V	PCGA-BP2V	PCGA-BP2V	PCGA-BP2V	PCGA-BP2V	PCGA-BP2V
Wireless-LAN	○	○	○	○	○	○	○	○
Bluetooth	×	×	×	×	×	×	×	×
OS	XP Pro	XP Home	XP Home	XP Home	XP Home	XP Home	XP Home	XP Home

△ [MA]

△ [MA]

△ [MA]

△ [MA]

△ [MA]

△ [MA]

△ [MA]

△ [MA]

- The trademarks or registered trademarks of above table, refer to page 2.
- The model that is accompanied by asterisk (*) is CTO model.
The parts to component for CTO models, refer to CTO Information.
- 本表中の商標・登録商標については、2ページをご参照下さい。
- 機種名に(*)がつくのは、CTOモデルです。
組み合わせについては、CTO Informationをご参照ください。

Confidential

VGN-B90PS (J)
VGN-B100/B100B/B150FP (AM)
VGN-B1VP/B1XP/B3VP/B3XP (EU)
VGN-B55C/B55G/B55L/B55S/B55T/B88C/B88GP/B88L (AO)

1-2. CTO Information

1. VGN-B90PS (Japanese Area)

Model name:VGN-B90PS(Japanese Area)

OS:Windows XP Pro

Ver.1.0

MBX	MBX-123(M512) A-1090-871-A COMPLETED PWB MBX-123(M512)	MBX-123(M256) A-1090-872-A COMPLETED PWB MBX-123(M256)	
CPU	PM755 6-706-559-01 IC RH80536GC0412MSL7EM	PM745 6-600-306-01 IC RH80536GC0332MSL7EN	PM725 6-600-355-01 IC RH80536GC0252MSL7EG
			CM350 6-707-262-01 IC RH80536NC0131M
HDD	80GB A-1068-138-A ASSY HDD 80GB (-21) (H,40) (S)	60GB A-1065-502-A ASSY HDD 60GB (-21) (I,40) (S)	40GB A-1062-141-A HDD_(MHT2040AT-40GB-A)_(S)
LCD	14.1SXGA+ A-8114-655-A LCD (UNIT) (14SXGA+) (S)	14.1XGA A-8113-928-A LCD UNIT(14.1XGA)(H) (S)	
Memory	512MB 6-705-096-01 IC HYS64D64020HBDL-6-C		
Opt.Drive	DVD+-RW 1-797-056-11 W-DVD (DVR-K14VAS)	COMBO 1-796-941-12 COMBO DRIVE (SBW-242C)	
W-LAN	Available 1-761-864-23 WIRELESS LAN CARD		
Battery	BP2V A-8114-136-A BP2V (J) ASSY (S)		

Confidential

VGN-B90PS (J)
VGN-B100/B100B/B150FP (AM)
VGN-B1VP/B1XP/B3VP/B3XP (EU)
VGN-B55C/B55G/B55L/B55S/B55T/B88C/B88GP/B88L (AO)

2. VGN-B100B/B100 (American Area)

Model name:VGN-B100B

Model Number:PCG-5B1L(With W-LAN),PCG-5B2L(Without W-LAN)

OS:Windows XP Pro

Ver.1.0

MBX	MBX-123(M512) A-1090-871-A COMPLETED PWB MBX-123(M512)	MBX-123(M256) A-1090-872-A COMPLETED PWB MBX-123(M256)				
CPU	PM755 6-706-559-01 IC RH80536GC0412MSL7EM	PM745 6-600-306-01 IC RH80536GC0332MSL7EN	PM735 6-600-343-01 IC RH80536GC0292MSL7EP	PM725 6-600-355-01 IC RH80536GC0252MSL7EG	PM715 6-600-368-01 IC RH80536GC0212MSL7GL	CM350 6-707-262-01 IC RH80536NC0131M
HDD	100GB A-1083-188-A HDD (MHU2100AT-100GB) (S)	80GB A-1068-138-A ASSY HDD 80GB (-21) (H,40) (S)	60GB A-1065-502-A ASSY HDD 60GB (-21) (L,40) (S)	40GB A-1062-141-A HDD_(MHT2040AT-40GB-A)_(S)	30GB 1-797-045-11 HDD (30GB,HTS424030M9AT00)	
LCD	14.1SXGA+ A-8114-655-A LCD (UNIT) (14SXGA+) (S)	14.1XGA A-1090-877-A LCD UNIT (14.1XGA CP)				
Memory	1GB 6-706-244-01 IC EBD11UD8ADDA-6B	512MB 6-705-096-01 IC HYS64D64020HBDL-6-C				
Opt.Drive	DVD+-RW 1-797-056-11 W-DVD (DVR-K14VAS)	DVD-ROM 1-797-060-11 DVD-ROM DRIVE(SDR-088)	COMBO 1-796-941-12 COMBO DRIVE (SBW-242C)			
W-LAN	Available 1-761-864-14 WIRELESS LAN CARD	None				
Battery	BP2V A-8114-136-A BP2V (J) ASSY (S)					

Model name:VGN-B100

Model Number:PCG-5B1L(With W-LAN),PCG-5B2L(Without W-LAN)

OS:Windows XP Home

Ver.1.0

MBX	MBX-123(M512) A-1090-871-A COMPLETED PWB MBX-123(M512)	MBX-123(M256) A-1090-872-A COMPLETED PWB MBX-123(M256)				
CPU	PM755 6-706-559-01 IC RH80536GC0412MSL7EM	PM745 6-600-306-01 IC RH80536GC0332MSL7EN	PM735 6-600-343-01 IC RH80536GC0292MSL7EP	PM725 6-600-355-01 IC RH80536GC0252MSL7EG	PM715 6-600-368-01 IC RH80536GC0212MSL7GL	CM350 6-707-262-01 IC RH80536NC0131M
HDD	100GB A-1083-188-A HDD (MHU2100AT-100GB) (S)	80GB A-1068-138-A ASSY HDD 80GB (-21) (H,40) (S)	60GB A-1065-502-A ASSY HDD 60GB (-21) (L,40) (S)	40GB A-1062-141-A HDD_(MHT2040AT-40GB-A)_(S)	30GB 1-797-045-11 HDD (30GB,HTS424030M9AT00)	
LCD	14.1SXGA+ A-8114-655-A LCD (UNIT) (14SXGA+) (S)	14.1XGA A-1090-877-A LCD UNIT (14.1XGA CP)				
Memory	1GB 6-706-244-01 IC EBD11UD8ADDA-6B	512MB 6-705-096-01 IC HYS64D64020HBDL-6-C				
Opt.Drive	DVD+-RW 1-797-056-11 W-DVD (DVR-K14VAS)	DVD-ROM 1-797-060-11 DVD-ROM DRIVE(SDR-088)	COMBO 1-796-941-12 COMBO DRIVE (SBW-242C)			
W-LAN	Available 1-761-864-14 WIRELESS LAN CARD	None				
Battery	BP2V A-8114-136-A BP2V (J) ASSY (S)					

Confidential

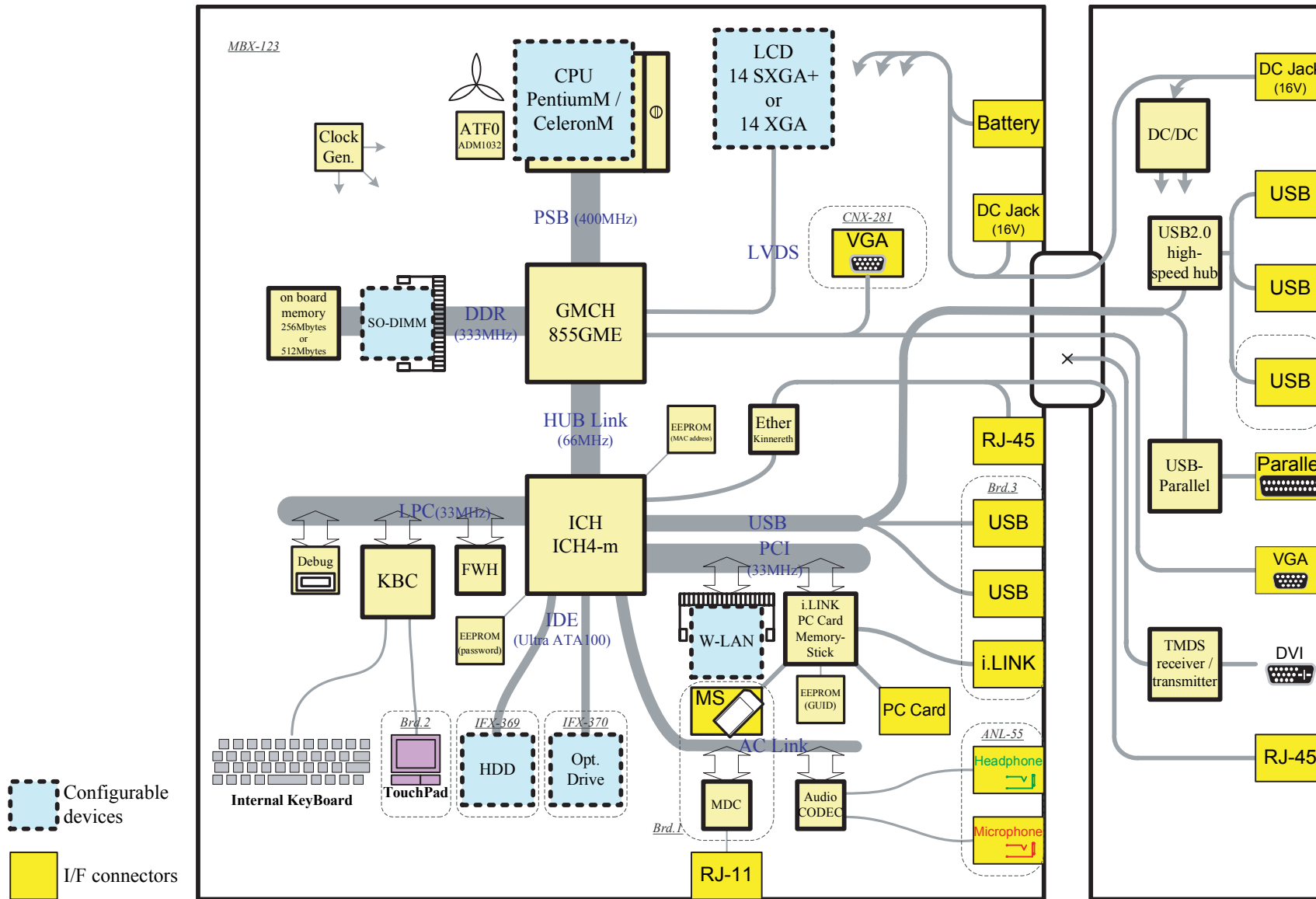
VGN-B90PS (J)

VGN-B100/B100B/B150FP (AM)

VGN-B1VP/B1XP/B3VP/B3XP (EU)

VGN-B55C/B55G/B55L/B55S/B55T/B88C/B88GP/B88L (AO)

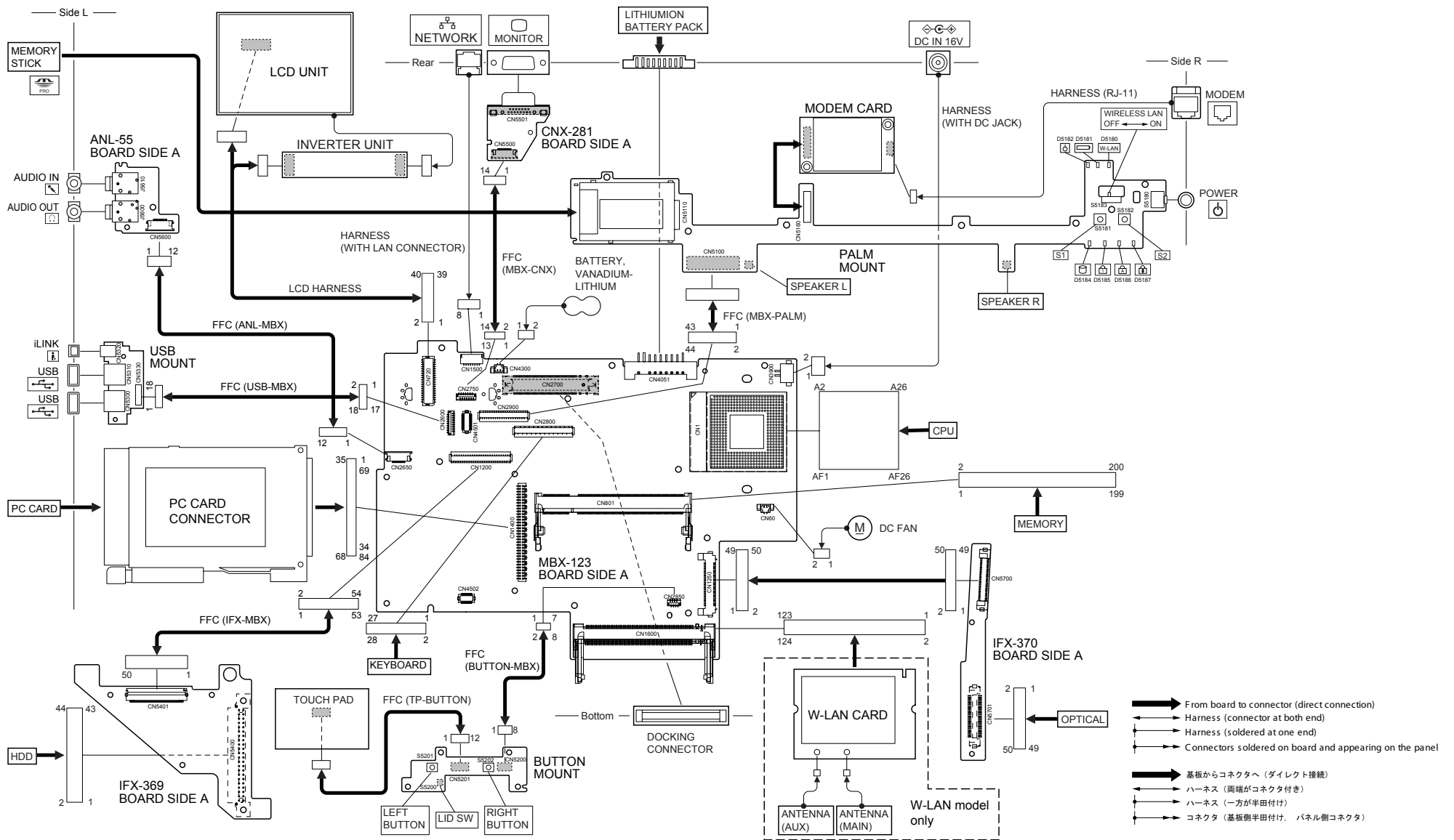
CHAPTER 2. BLOCK DIAGRAM



Confidential

VGN-B90PS (J)
 VGN-B100/B100B/B150FP (AM)
 VGN-B1VP/B1XP/B3VP/B3XP (EU)
 VGN-B55C/B55G/B55L/B55S/B55T/B88C/B88GP/B88L (AO)

CHAPTER 3. FRAME HARNESS DIAGRAM



Confidential

VGN-B90PS (J)
 VGN-B100/B100B/B150FP (AM)
 VGN-B1VP/B1XP/B3VP/B3XP (EU)
 VGN-B55C/B55G/B55L/B55S/B55T/B88C/B88GP/B88L (AO)

CHAPTER 4. EXPLODED VIEWS AND PARTS LIST

• The parts list is compiled by blocks of a palmrest and bottom etc. The sections of the parts list are different depending on the model. Please refer to list of contents shown in the below.

• 分解図と部品表は、パームレスト、ボトムなどのブロックごとに分かれています。機種によって部品表のセクションが異なりますので、詳細は右下の一覧表を参照してください。

Section	Page
Palmrest	
P-1	4-2
Main Board	
M-1	4-4
LCD	
L-1. 14.1 SXGA+ (To)	4-8
L-2. 14.1 XGA (Hi)	4-10
L-3. 14.1 XGA (CPT)	4-12
Accessories	
A-1	4-14

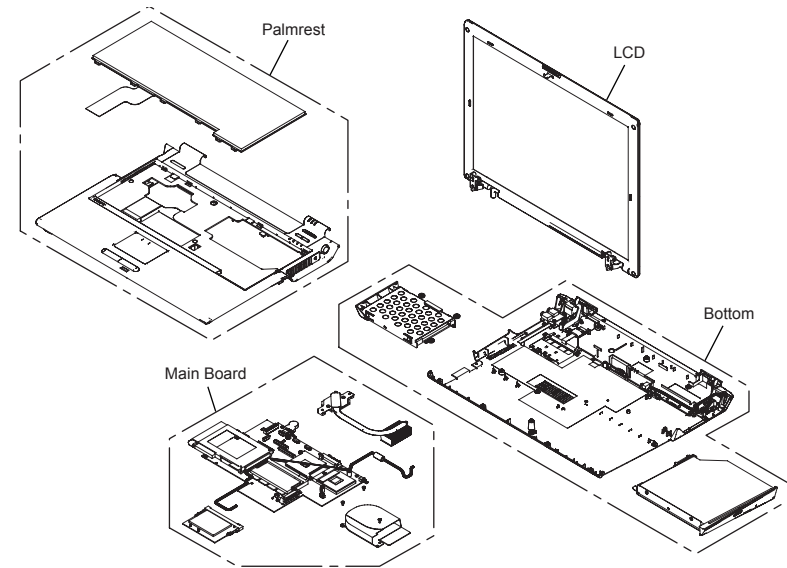
NOTE:

- Items marked “ * ” are not stocked since they are seldom required for routine service. Some delay should be anticipated when ordering these items.
- The mechanical parts with no reference number in the exploded views are not supplied.
- When two or more parts are shown, use the part described first as the main part.
- The parts marked “ \$ ” are the High Value Modules (HVM).
- The parts marked “ # ” are the parts on which barcode label is attached.
For the barcode label, refer to CHAPTER 5.
- The parts marked “ & ” are the “Customer Replacable Parts (CRP)” that can be replaced by Field Customer Support. Especially the parts with the <> mark require the special attention to use them. Here fore, check first Whether the desired part is one of the targetted part the Customer Replacable Parts(CRP), or the non-targetted parts by referring to the exploded view.
- Regarding the boards of this model, the discrete parts on the boards cannot be replaced. However, Some connectors can be replaced.
- The model that is accompanied by asterisk (*) is the CTO model.
For the equipment configuration, refer to the CTO Information.

【使用上の注意】

- *印の部品は常備在庫しておりません。
- 図面番号のない部品は供給しません。
- 併記部品の場合、上部記載部品をメイン部品として使用してください。
- 部品名称の前に\$印のついた部品は、High Value Module (HVM) です。
- 部品名称の前に#印のついた部品は、バーコードラベル貼付部品です。バーコードラベルについてはCHAPTER 5を参照してください。
- 部品名称の前に&印のついた部品は、お客様窓口などでも交換可能なCustomer Replacable Parts (CRP) です。特に<&印のついた部品は、使い分けが必要な部品ですので、分解図でCustomer Replacable Parts 対象部品か、対象外部品かを必ず御確認ください。
- 本モデルの基板については、基板上の各部品の修理は行うことができません。ただし、一部のコネクタについては、修理可能です。
- 機種名に(*)がつくのはCTOモデルです。組み合わせについては、CTO Informationを御確認ください。

△印の部品、または△印付きの点線で囲まれた部品は、安全性を維持するために重要な部品です。従って交換時は、必ず指定の部品を使用してください。



		Palmrest	Main Board	Bottom	LCD	Accessoris
J	B90PS*	P-1	M-1	B-1	L-1,2	A-1
AM	B100B*	P-1	M-1	B-1	L-1,3	A-1
	B100*	P-1	M-1	B-1	L-1,3	A-1
	B150FP	P-1	M-1	B-1	L-3	A-1
EU	B1XP	P-1	M-1	B-1	L-1	A-1
	B1VP	P-1	M-1	B-1	L-2	A-1
	B3XP	P-1	M-1	B-1	L-1	A-1
	B3VP	P-1	M-1	B-1	L-2	A-1
AO	B88GP	P-1	M-1	B-1	L-1	A-1
	B88L	P-1	M-1	B-1	L-3	A-1
	B55G	P-1	M-1	B-1	L-3	A-1
	B55S	P-1	M-1	B-1	L-3	A-1
	B55L	P-1	M-1	B-1	L-3	A-1
	B55T	P-1	M-1	B-1	L-3	A-1
	B88C	P-1	M-1	B-1	L-2	A-1
	B55C	P-1	M-1	B-1	L-2	A-1

* : CTO model

The components identified by mark △ or dotted line with mark △ are critical for safety. Replace only with part number specified.

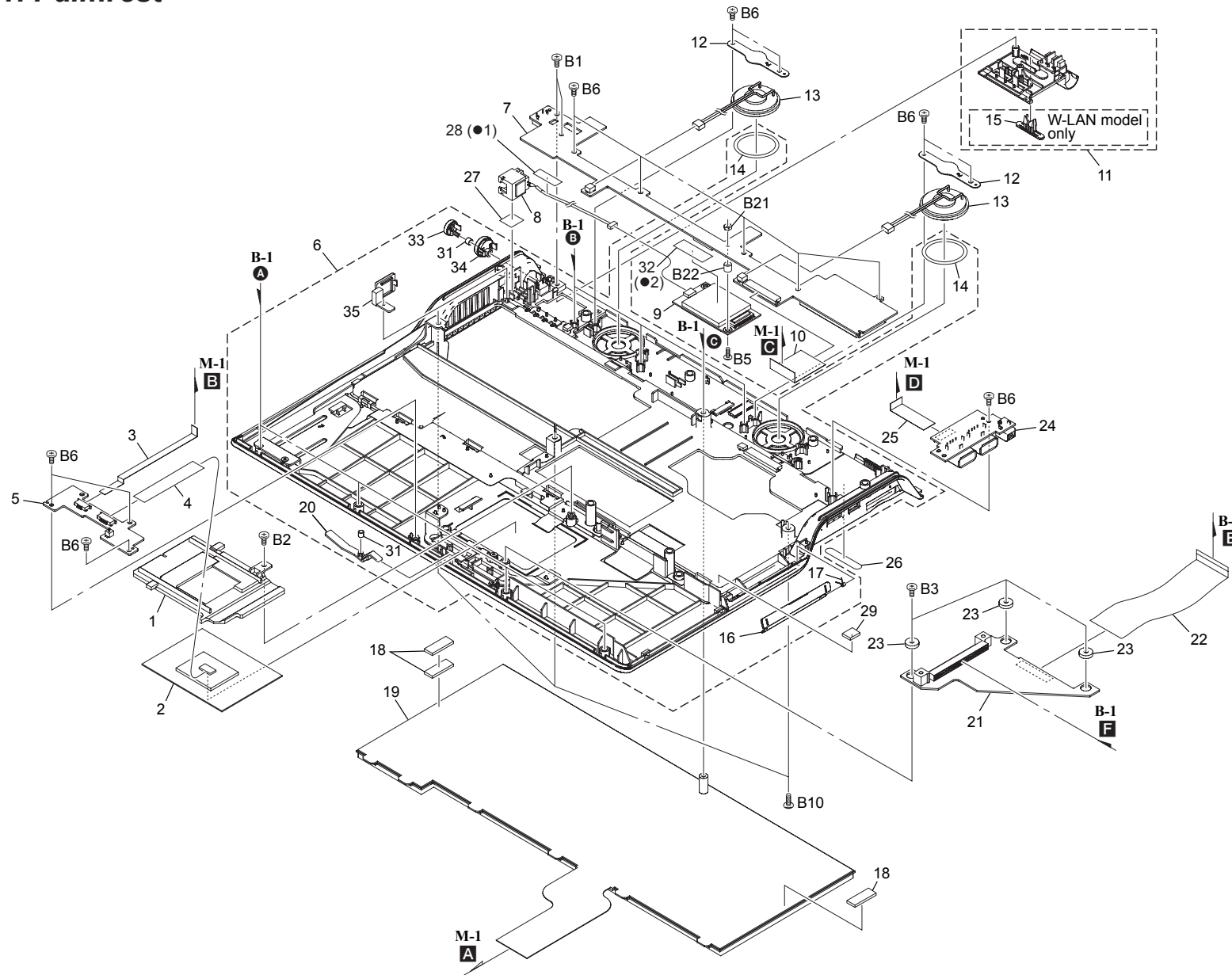
Les composants identifiés par une marque△ sont critiques pour la sécurité. Ne les remplacer que par une pièce portant le numéro spécifié.

Confidential

VGN-B90PS (J)
VGN-B100/B100B/B150FP (AM)
VGN-B1VP/B1XP/B3VP/B3XP (EU)
VGN-B55C/B55G/B55L/B55S/B55T/B88C/B88GP/B88L (AO)

P-1. Palmrest

P-1

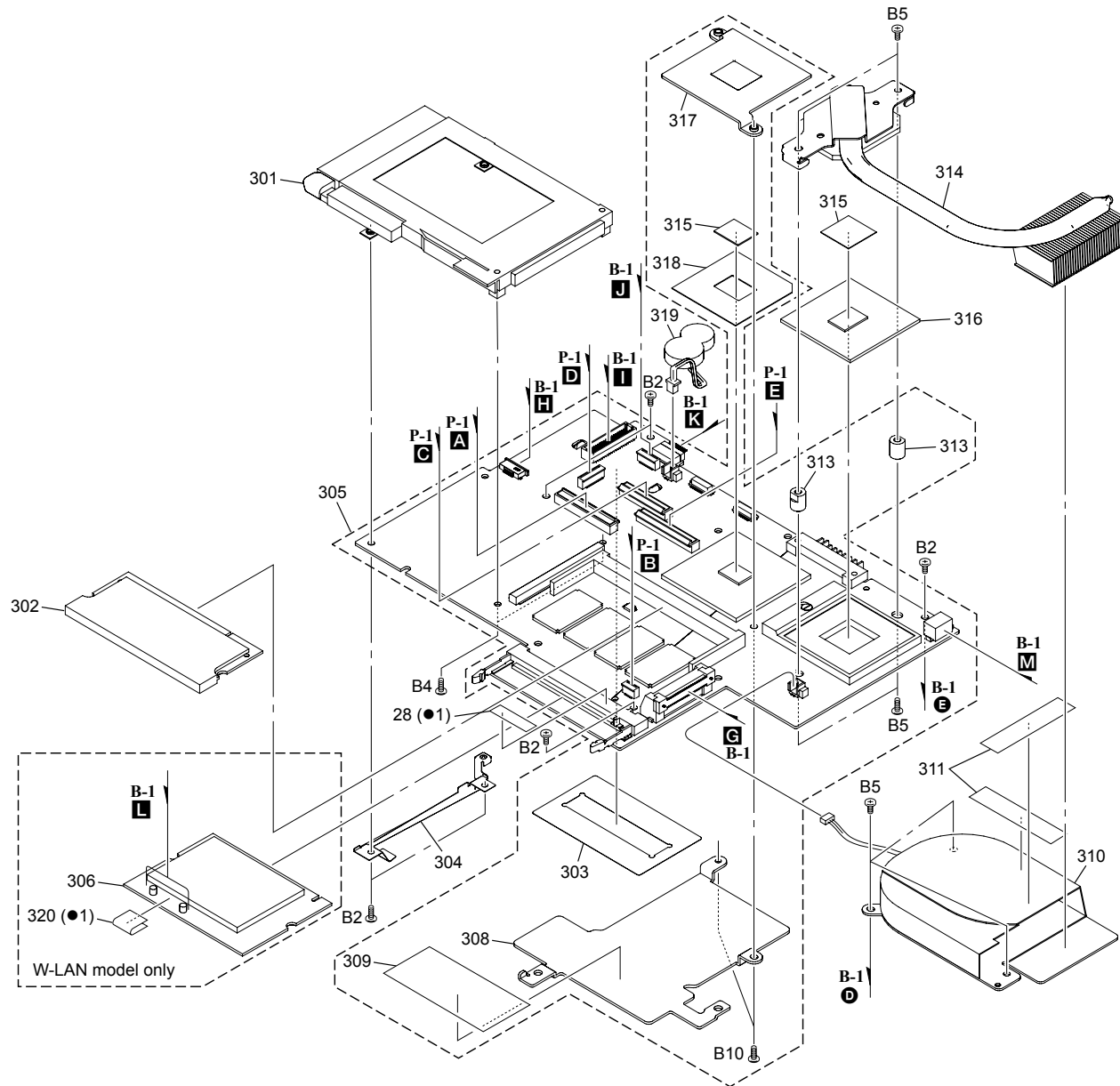


Confidential

VGN-B90PS (J)
VGN-B100/B100B/B150FP (AM)
VGN-B1VP/B1XP/B3VP/B3XP (EU)
VGN-B55C/B55G/B55L/B55S/B55T/B88C/B88GP/B88L (AO)

M-1. Main Board

M-1



Confidential

VGN-B90PS (J)
 VGN-B100/B100B/B150FP (AM)
 VGN-B1VP/B1XP/B3VP/B3XP (EU)
 VGN-B55C/B55G/B55L/B55S/B55T/B88C/B88GP/B88L (AO)

M-1. Main Board

M-1

Ref.No.	Part No.	Description
28		FILAMENT TAPE(12x30) (●1)
301	1-818-752-11	PCCARD CONNECTOR FRAME
303	2-176-480-01	INSULATOR PRCON (MB)
304	2-345-177-01	BRACKET PCMCIA(MB)
308	2-176-465-01	PLATE MEMO (MB)
309	2-176-471-01	SHEET THERMAL (MEMO)
310	1-787-244-11	FAN,DC
311	4-671-506-01	GASKET (FAN)
313	2-190-257-01	STAND OFF D
314	2-176-476-01	HEAT SINK (CPU)
315	4-668-785-02	THERMAL SHEET CPU
317	2-176-466-01	PLATE GME (MB)
318	2-176-474-01	TAPE CAPTON (GME)
319	1-756-038-21	BATTERY, NICKEL HYDROGEN
B2	4-672-834-51	SCREW,+B EG GRIP
B4	4-645-214-71	GRIP,M2
B5	4-672-834-91	SCREW,+B EG GRIP
B10	4-672-834-31	SCREW,+B EG GRIP

●1 Use the FILAMENT TAPE

△ [MA]

Ref. No.	Part No.	Description	J	AM			EU			AO								
			B90PS*	B100B*	B100*	B150FP	B1XP	B1VP	B3XP	B3VP	B88GP	B88L	B55G	B55S	B55L	B55T	B88C	B55C
302	6-706-244-01	IC EBD11UD8ADDA-6B(1GB)	●	●	●													
	6-705-096-01	IC HYS64D64020HBDL-6-C(512MB)	●	●	●													
305	A-1090-871-A \$ #	COMPLETE PWB MBX-123(M512)	●	●	●	●	●	●	●	●								
	A-1090-872-A \$ #	COMPLETE PWB MBX-123(M256)	●	●	●						●	●	●	●	●	●	●	●
306	1-761-864-23 #	WIRELESS LAN CARD	●															
	1-761-864-14 #	WIRELESS LAN CARD		●	●	●												●
	1-761-864-33 #	WIRELESS LAN CARD					●	●	●	●	●	●	●	●	●	●	●	●
	1-761-864-71 #	WIRELESS LAN CARD						●	●									
316	6-600-368-01	IC RH80536GC0212MSL7GL(1.5A)		●	●	●				●	●	●	●	●	●	●	●	●
	6-600-355-01	IC RH80536GC0252MSL7EG(1.6)		●	●	●		●		●								●
	6-600-343-01	IC RH80536GC0292MSL7EP(1.7)		●	●	●		●										
	6-600-306-01	IC RH80536GC0332MSL7EN(1.8)		●	●	●			●									
	6-706-559-01	IC RH80536GC0412MSL7EM(2.0)		●	●	●												
	6-707-262-01	IC RH80536NC0131M(Cel1.3)		●	●	●												●
320		FILAMENT TAPE(19x30) (●1)	●	●	●	●	●	●	●	●	●	●	●	●	●	●	●	●

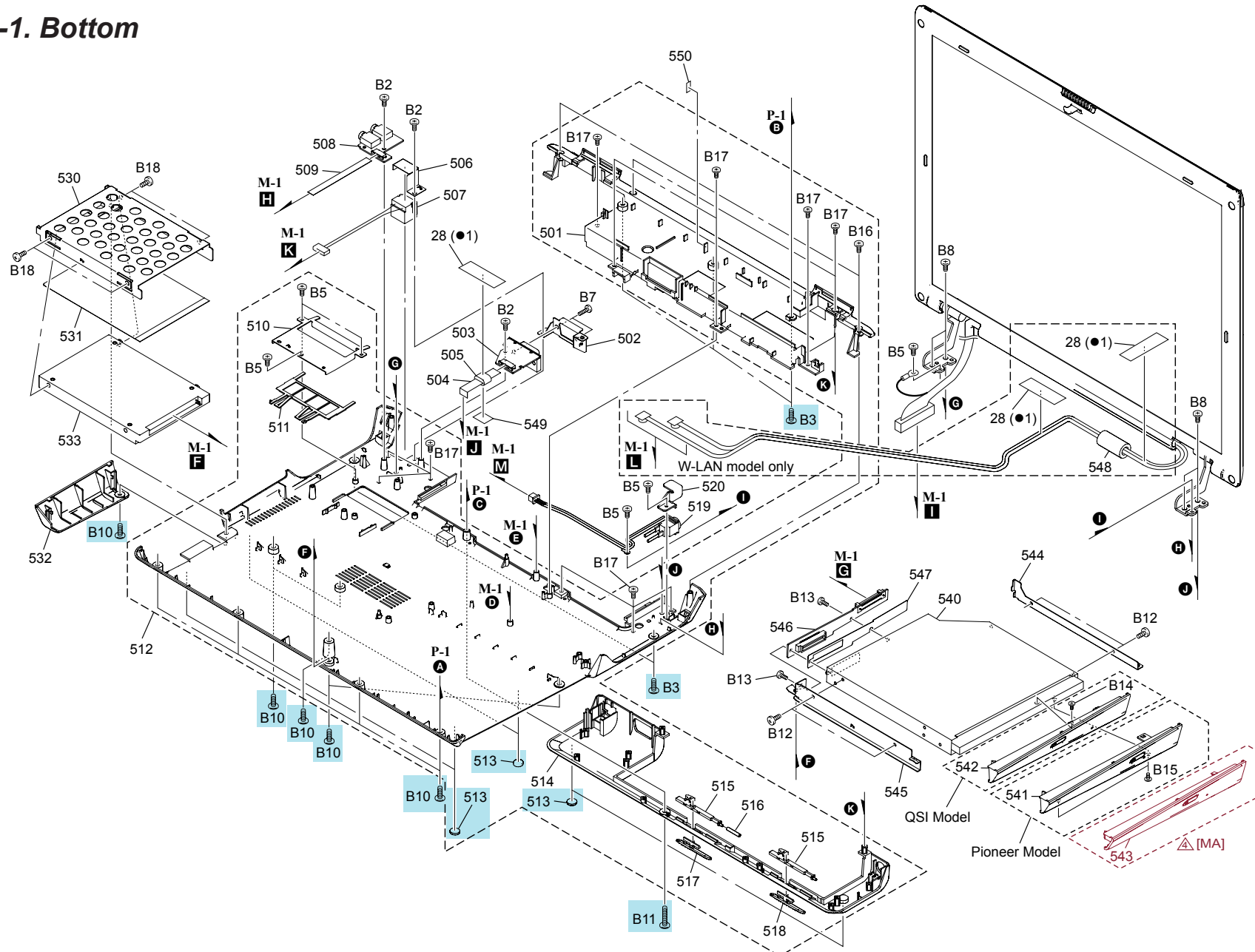
- This parts list contains two different types of parts.
The first type is the parts that are common to all models.
The other type is the parts that are different depending on each model.
- The parts of Ref.306, 320 are used in the Wireless-LAN installation models.
- この部品表は、機種共通の部品と、機種によって使い分けが必要な部品に分かれています。
- Ref. 306, 320は、ワイヤレスラン搭載モデル用の部品です。

Confidential

VGN-B90PS (J)
VGN-B100/B100B/B150FP (AM)
VGN-B1VP/B1XP/B3VP/B3XP (EU)
VGN-B55C/B55G/B55L/B55S/B55T/B88C/B88GP/B88L (AO)

B-1. Bottom

B-1



Confidential

VGN-B90PS (J)
 VGN-B100/B100B/B150FP (AM)
 VGN-B1VP/B1XP/B3VP/B3XP (EU)
 VGN-B55C/B55G/B55L/B55S/B55T/B88C/B88GP/B88L (AO)

B-1. Bottom

B-1

Ref.No.	Part No.	Description
28		FILAMENT TAPE(12x30) (●1)
501	A-1090-572-A	BASE DISPLAY(HBA)(S)
502	2-176-449-01	BRACKET DSUB (BTM)
503	A-1090-874-A \$	MOUNTED PWB CNX-281(S)
504	1-829-801-11	FLEXIBLE FLAT CABLE (14PIN)
	△ [CHG] 2-176-367-11	
505	1-500-227-31	BEAD, FERRITE
506	2-345-848-01	BRACKET ETHER(BTM)
507	1-963-259-21	HARNESS,CONNECTOR WITH
508	A-1090-873-A \$	MOUNTED PWB ANL-55(S)
509	1-829-800-11	FLEXIBLE FLAT CABLE (12PIN)
	△ [CHG] 2-176-373-11	
510	A-1090-578-A	BRACKET PR (HBA)(S)
511	A-1090-577-A	COVER PR (HBA)(S)
512	X-2023-017-1	HOUSING BOTTOM ASSY (HBA)
513	A-1090-573-A	& FOOT BOTTOM (HBA)(S)
514	A-1090-571-A	COVER BATT (HBA)(S)
	△ [CHG] 2-176-369-11	
515	A-1090-574-A	LEVER RELEASE (HBA)(S)
516	A-1090-579-A	SPRING RELEASE (HBA)(S)
517	A-1090-575-A	KNOB RELEASE (HBA)(S)
518	A-1090-576-A	KNOB LEFT (HBA)(S)
519	1-961-978-12	HARNESS (WITH DC JACK 2P)
	△ [CHG] 2-176-371-11	
520	2-176-443-01	BRACKET DC (BTM)
530	2-176-439-01	BRACKET (HDD)
531	2-176-486-01	INSULATOR HDD (HDD)
532	2-176-440-01	ESCUTCHEON (HDD)
544	2-176-441-01	BRACKET L (ODD)
545	2-176-442-01	BRACKET R (ODD)
546	A-1090-875-A \$	MOUNTED PWB IFX-370
547	2-176-487-01	INSULATOR ODD (IFX370)
549	4-658-789-02	TAPE(HARNESS)
550	2-548-222-01	SHEET BD(BTM)
B2	4-672-834-51	SCREW,+B EG GRIP
B3	4-672-834-21	<&> SCREW,+B EG GRIP
B5	4-672-834-91	SCREW,+B EG GRIP
B7	4-674-716-01	SCREW(NO.4-40)(UNC)
B8	4-672-835-01	SCREW, M2.6 +B EG GRIP
B10	4-672-834-31	<&> SCREW, +B EG GRIP
B11	4-644-637-61	<&> M2 EG GRIP
B12	4-671-538-01	SCREW(M2X4), SPECIAL HEAD
B13	4-672-836-01	SCREW ,M2 SPECIAL HEAD,EG GRIP
B16	4-682-270-01	SCREW,M2 +B EG GRIP
B17	4-671-885-01	SCREW, TAPPING, SPECIAL
B18	4-672-839-01	HEAD, M3 FLAT

Ref. No.	Part No.	Description	J		AM			EU			AO						
			B90PS*	B100B*	B100*	B150FP	B1XP	B1VP	B3XP	B3VP	B88GP	B88L	B55G	B55L	B55T	B88C	B55C
533	A-1083-188-A \$ #	HDD (MHU2100AT-100GB) (S)		●	●												
	A-1068-138-A \$ #	ASSY HDD 80GB (-21) (H,40) (S)	●	●													
	A-1065-502-A \$ #	ASSY HDD 60GB (-21) (L,40) (S)	●	●	●						●						
	A-1062-141-A \$ #	HDD (MHT2040AT-40GB-A) (S)	●	●	●	●					●	●	●	●	●	●	●
△ [MA]	A-1083-186-A \$ #	HDD (40GB,HTS424040) (S)															●
	1-797-045-11 \$ #	HDD (30GB,HTS424030M9AT00)		●	●												
△ [MA]	A-1122-579-A \$ #	ASSY HDD 60GB (-31) (H40) (S)									●						
△ [MA]	A-1122-578-A \$ #	ASSY HDD 80GB (-31) (H40) (S)									●						
540	1-797-056-11 \$ #	W-DVD (DVR-K14VAS)		●	●		●				●						
	1-797-060-11 \$ #	DVD-ROM DRIVE(SDR-088)		●	●												
	1-796-941-12 \$ #	COMBO DRIVE (SBW-242C)		●	●		●				●	●	●	●	●	●	●
△ [MA]	1-797-271-11 \$ #	UJ840 (DVD+RW,12.7MM)									●	●					
541	X-2023-023-1	BEZEL ODDP ASSY (BOPA)		●	●		●				●						
542	X-2023-985-1	BEZEL ODDQ DR ASSY(BOQA)		●	●												
	X-2023-024-1	BEZEL ODDQ ASSY (BOQA)		●	●	●		●			●	●	●	●	●	●	●
△ [MA]	543 X-2055-859-1	ASSY BEZEL ODDP DUAL G-BAS									●	●					
548	1-400-255-11	FERRITE CORE		●	●	●	●	●	●	●	●	●	●	●	●	●	●
B14	4-676-934-01	+SPECIAL HEAD SELF SCREW T0.2		●	●	●	●	●	●	●	●	●	●	●	●	●	●
B15	4-679-805-11	SCREW (B1.7), TAPPING		●	●	●	●	●	●	●	●	●	●	●	●	●	●

- This parts list contains two different types of parts.
The first type is the parts that are common to all models.
The other type is the parts that are different depending on each model.
- The parts of Ref.548 is used in the Wireless-LAN installation models.
- この部品表は、機種共通の部品と、機種によって使い分けが必要な部品に分かれています。
- Ref. 548は、ワイヤレスLAN搭載モデル用の部品です。

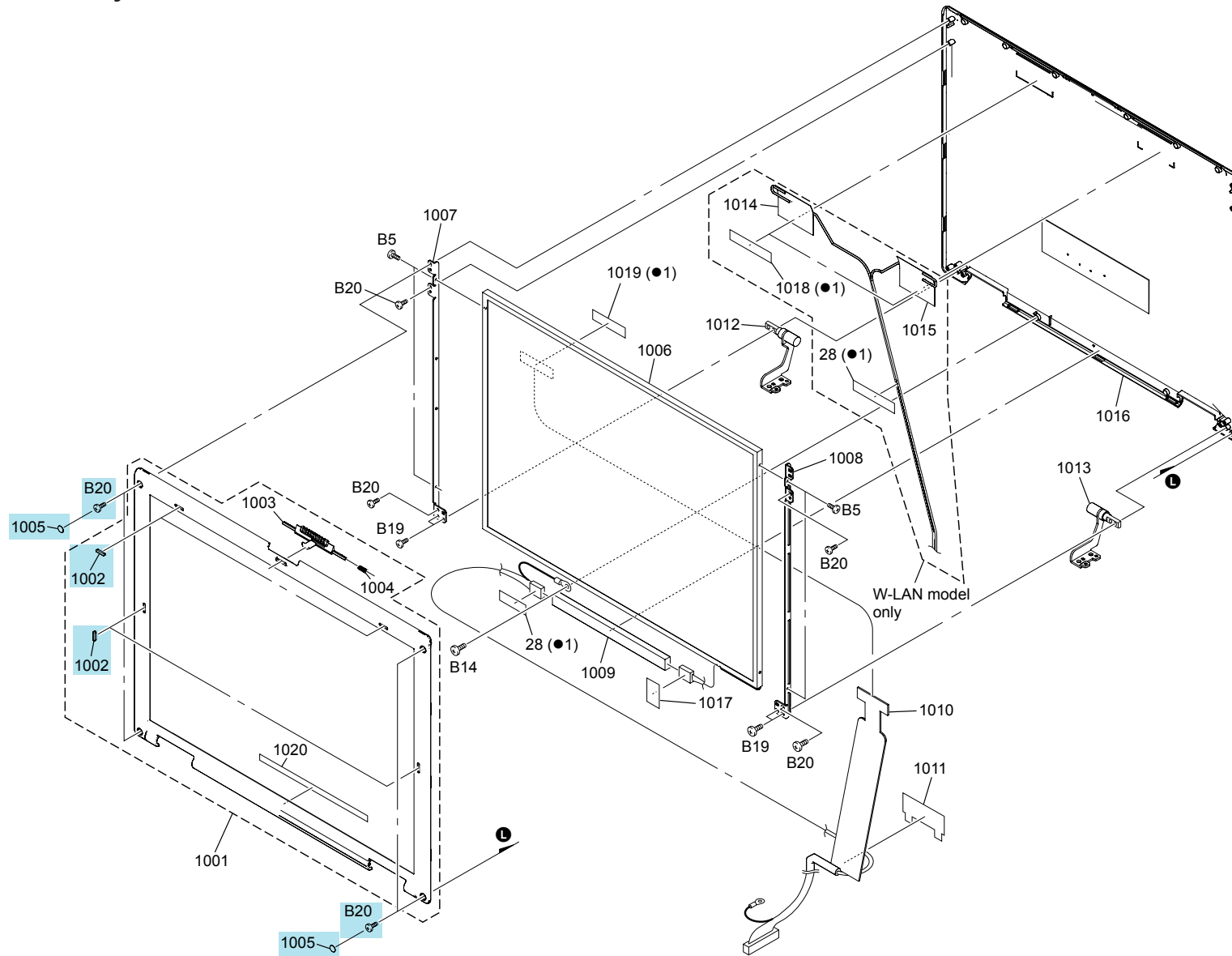
●1 Use the FILAMENT TAPE

Confidential

VGN-B90PS (J)
VGN-B100/B100B/B150FP (AM)
VGN-B1VP/B1XP/B3VP/B3XP (EU)
VGN-B55C/B55G/B55L/B55S/B55T/B88C/B88GP/B88L (AO)

L-1. LCD 14.1-inch SXGA+
- Made by To -

L-1



Confidential

VGN-B90PS (J)
 VGN-B100/B100B/B150FP (AM)
 VGN-B1VP/B1XP/B3VP/B3XP (EU)
 VGN-B55C/B55G/B55L/B55S/B55T/B88C/B88GP/B88L (AO)

L-1. LCD 14.1-inch SXGA+

L-1

- Made by To -

Ref.No.	Part No.	Description
28		FILAMENT TAPE(12x30) (●1)
1001	X-2023-027-1	HOUSING BEZEL ASSY (HBEA)
1002	A-1090-605-A &	CUSHION OVAL (HBEA)(S) △ [CHG] 2-176-459-11
1003	A-1090-604-A	LEVER LATCH (HBEA)(S) △ [CHG] 2-176-457-11
1004	A-1090-600-A	COIL SPRING, COMPRESSION(S) △
	△ [CHG] 4-671-043-21	
1005	2-176-460-01	& CUSHION CIRCLE (DISPLAY)
1006	A-8114-655-A \$ #	LCD (UNIT) (14SXGA+) (S)
1007	2-176-461-01	BRACKET SLCDL (DISPLAY)
1008	2-176-462-01	BRACKET SLCDR (DISPLAY)
1009	1-478-924-11	INVERTER UNIT
1010	1-963-265-11	LCD HARNESS SXGA+ FIX
1011	4-671-222-01	SHEET (LH)
1012	2-176-469-01	HINGE L (DISPLAY)
1013	2-176-470-01	HINGE R (DISPLAY)
1016	A-1090-879-A \$	HOUSING DISPLAY ASSY(HAD)(S)
	△ [CHG] 2-176-454-11	
1017	4-658-789-02	TAPE (HARNESS)
1019		FILAMENT TAPE(19x30) (●1)
1020	A-1090-603-A	TAPE ADHESIVE (HDA) (S)
B5	4-672-834-91	SCREW,+B EG GRIP
B14	4-676-934-01	+SPECIAL HEAD SELF SCREW T0.2
B19	4-672-834-61	SCREW, +B EG GRIP
B20	4-672-836-11	<&> SCREW ,M2 SPECIAL HEAD,EG GRIP

●1 Use the FILAMENT TAPE

Ref. No.	Part No.	Description	J	AM	EU
			B90PS*	B100B*	B100*
				B1XP	B3XP
1014	1-754-353-41	ANTENNA, FILM (FOR LEFT)	●	●	●
1015	1-754-353-31	ANTENNA, FILM (FOR RIGHT)	●	●	●
1018		FILAMENT TAPE(12x70) (●1)	●	●	●

△ [MA]

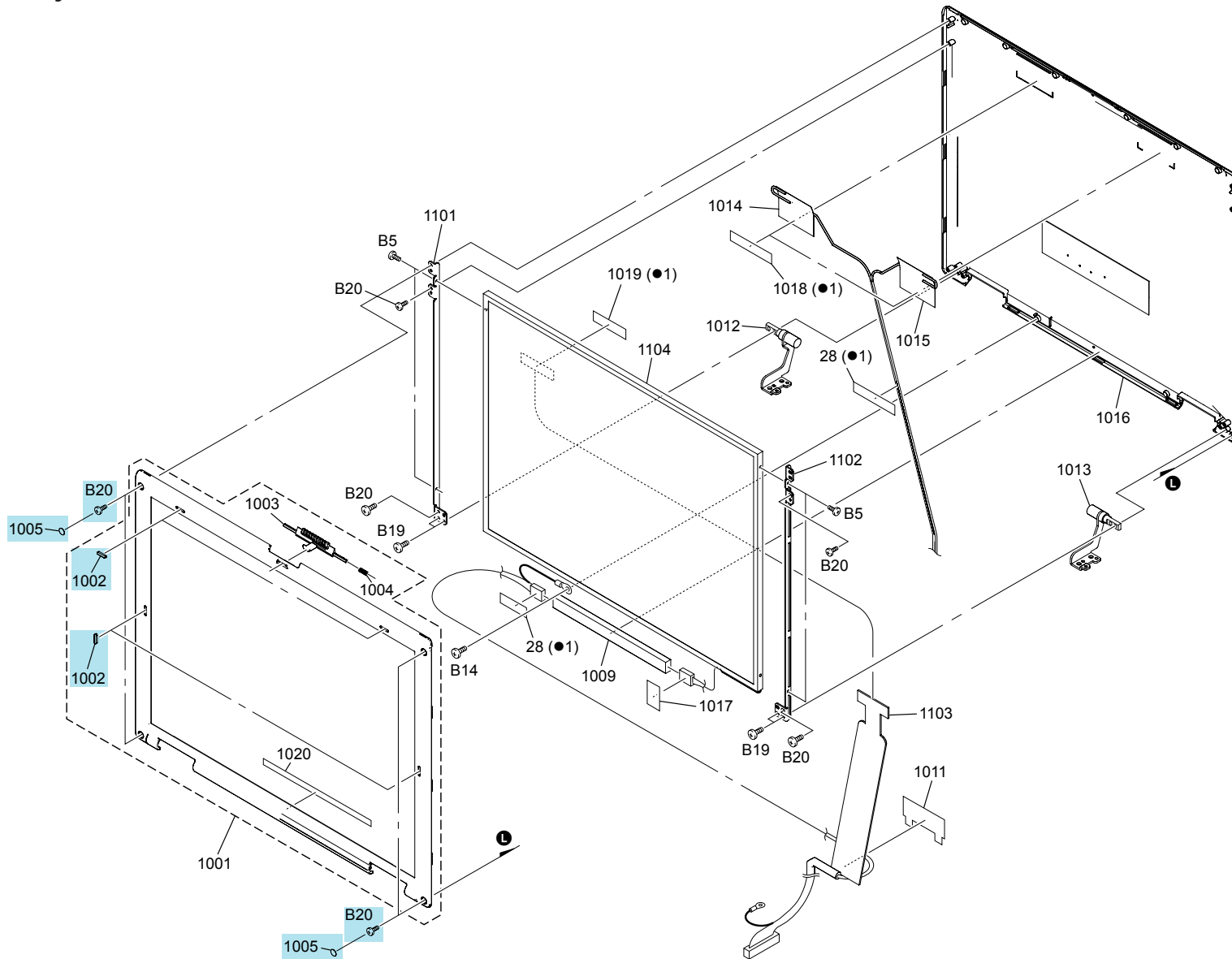
- This parts list contains two different types of parts.
The first type is the parts that are common to all models.
The other type is the parts that are different depending on each model.
- The parts of Ref.1014, 1015 and Ref.1018 are used in the Wireless-LAN installation models.
- この部品表は、機種共通の部品と、機種によって使い分けが必要な部品に分かれています。
- Ref. 1014, 1015, 1018は、ワイヤレスLAN搭載モデル用の部品です。

Confidential

VGN-B90PS (J)
VGN-B100/B100B/B150FP (AM)
VGN-B1VP/B1XP/B3VP/B3XP (EU)
VGN-B55C/B55G/B55L/B55S/B55T/B88C/B88GP/B88L (AO)

L-2. LCD 14.1-inch XGA
- Made by Hi -

L-2



Confidential

VGN-B90PS (J)
VGN-B100/B100B/B150FP (AM)
VGN-B1VP/B1XP/B3VP/B3XP (EU)
VGN-B55C/B55G/B55L/B55S/B55T/B88C/B88GP/B88L (AO)

L-2. LCD 14.1-inch XGA

- Made by Hi-

L-2

Ref.No.	Part No.	Description
28		FILAMENT TAPE(12x30) (●1)
1001	X-2023-027-1	HOUSING BEZEL ASSY (HBEA)
1002	A-1090-605-A	& CUSHION OVAL (HBEA)(S)
1003	A-1090-604-A	LEVER LATCH (HBEA)(S)
1004	A-1090-600-A	COIL SPRING, COMPRESSION(S)
	△ [CHG] 4-671-043-21	
1005	2-176-460-01	& CUSHION CIRCLE (DISPLAY)
1009	1-478-924-11	INVERTER UNIT
1011	4-671-222-01	SHEET (LH)
1012	2-176-469-01	HINGE L (DISPLAY)
1013	2-176-470-01	HINGE R (DISPLAY)
1014	1-754-353-41	ANTENNA, FILM (FOR LEFT)
1015	1-754-353-31	ANTENNA, FILM (FOR RIGHT)
1016	A-1090-879-A \$	HOUSING DISPLAY ASSY(HAD)(S)
1017	4-658-789-02	TAPE (HARNES)
1018		FILAMENT TAPE(12x70) (●1)
	△ [CHG] 2-176-454-11	
1019		FILAMENT TAPE(19x30) (●1)
1020	A-1090-603-A	TAPE ADHESIVE (HDA) (S)
1101	2-177-770-01	BRACKET X HLCDL (DISPLAY)
1102	2-177-771-01	BRACKET X HLCDR (DISPLAY)
1103	1-963-266-11	LCD HARNESS XGA FIS
1104	A-8113-928-A \$ #	LCD UNIT(14.1XGA)(H)(S)
B5	4-672-834-91	SCREW,+B EG GRIP
B14	4-676-934-01	+SPECIAL HEAD SELF SCREW T0.2
B19	4-672-834-61	SCREW, +B EG GRIP
B20	4-672-836-11	<&> SCREW ,M2 SPECIAL HEAD,EG GRIP

●1 Use the FILAMENT TAPE

Confidential

VGN-B90PS (J)
VGN-B100/B100B/B150FP (AM)
VGN-B1VP/B1XP/B3VP/B3XP (EU)
VGN-B55C/B55G/B55L/B55S/B55T/B88C/B88GP/B88L (AO)

L-3. LCD 14.1-inch XGA

- Made by CPT-

L-3

Ref.No.	Part No.	Description
28		FILAMENT TAPE(12x30) (●1)
1001	X-2023-027-1	HOUSING BEZEL ASSY (HBEA)
1002	A-1090-605-A	& CUSHION OVAL (HBEA)(S)
1003	A-1090-604-A	LEVER LATCH (HBEA)(S)
1004	A-1090-606-A	COIL SPRING, COMPRESSION(S)
	[CHG] 4-671-043-21	
1005	2-176-460-01	& CUSHION CIRCLE (DISPLAY)
1009	1-478-924-11	INVERTER UNIT
1011	4-671-222-01	SHEET (LH)
1012	2-176-469-01	HINGE L (DISPLAY)
1013	2-176-470-01	HINGE R (DISPLAY)
	[CHG] 2-176-454-11	
1016	A-1090-879-A \$	HOUSING DISPLAY ASSY(HAD)(S)
1017	4-658-789-02	TAPE (HARNESS)
1019		FILAMENT TAPE(19x30) (●1)
1020	A-1090-603-A	TAPE ADHESIVE (HDA) (S)
1201	2-176-463-01	BRACKET X LCDL (DISPLAY)
1202	2-176-464-01	BRACKET X LCDR (DISPLAY)
1203	1-963-264-11	LCD HARNESS XGA FIX
1204	A-1090-877-A \$ #	LCD UNIT 14.1XGA CLAA141XD(S)
B5	4-672-834-91	SCREW,+B EG GRIP
B14	4-676-934-01	+SPECIAL HEAD SELF SCREW T0.2
B19	4-672-834-61	SCREW, +B EG GRIP
B20	4-672-836-11	<&> SCREW ,M2 SPECIAL HEAD,EG GRIP

●1 Use the FILAMENT TAPE

Ref. No.	Part No.	Description	AM		AO					
			B100B*	B100*	B88GP	B88L	B55G	B55S	B55L	B55T
1014	1-754-353-41	ANTENNA, FILM (FOR LEFT)	●	●	●	●	●	●	●	●
1015	1-754-353-31	ANTENNA, FILM (FOR RIGHT)	●	●	●	●	●	●	●	●
1018		FILAMENT TAPE(12x70) (I1)	●	●	●	●	●	●	●	●

[MA] [MA] [MA] [MA] [MA] [MA]
 [MA] [MA] [MA] [MA] [MA] [MA]

- This parts list contains two different types of parts.
The first type is the parts that are common to all models.
The other type is the parts that are different depending on each model.
- The parts of Ref.1014, 1015 and Ref.1018 are used in the Wireless-LAN installation models.
- この部品表は、機種共通の部品と、機種によって使い分けが必要な部品に分かれています。
- Ref. 1014, 1015, 1018は、ワイヤレスLAN搭載モデル用の部品です。

Confidential

VGN-B90PS (J)
 VGN-B100/B100B/B150FP (AM)
 VGN-B1VP/B1XP/B3VP/B3XP (EU)
 VGN-B55C/B55G/B55L/B55S/B55T/B88C/B88GP/B88L (AO)

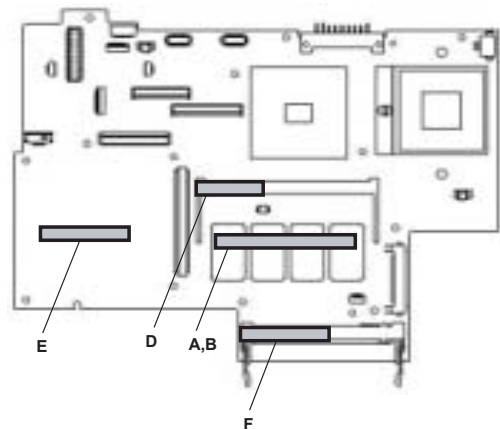
CHAPTER 5. OTHERS

5-1. The Barcode Label

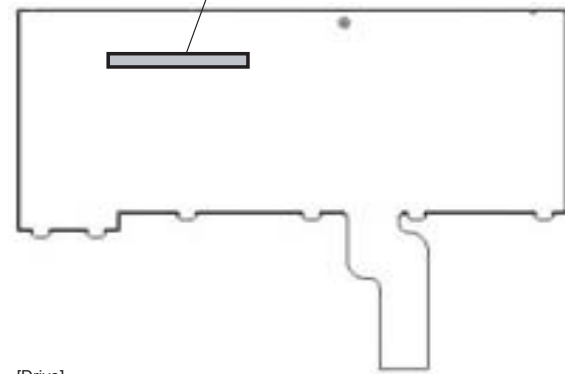
The hatched portion of the barcode label is used as the repair data.

バーコードラベルの網掛け部は、修理データとして使用いたします。

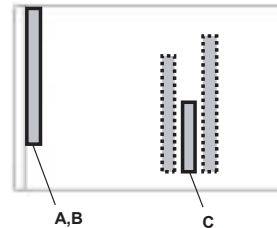
[MBX-123 Board]
(Side A)



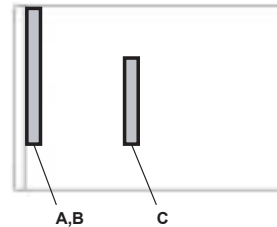
[Keyboard Unit]
(Rear)



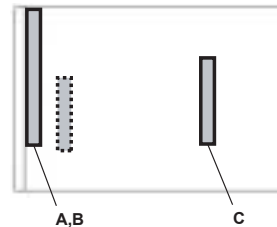
[HDD (HITACHI/IBM)]
(Top)



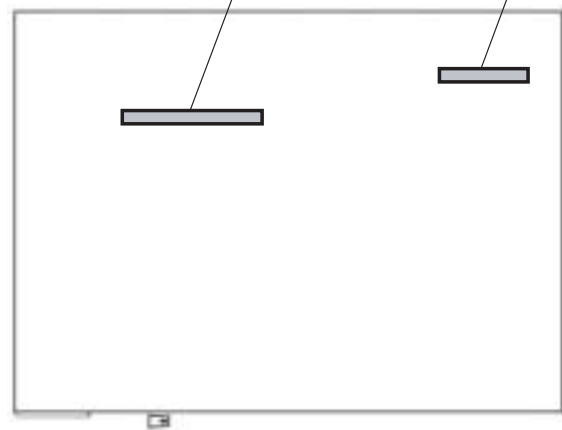
[HDD (TOSHIBA)]
(Top)



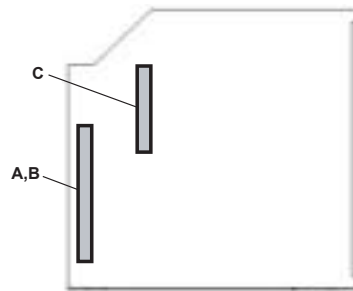
[HDD (FUJITSU)]
(Top)



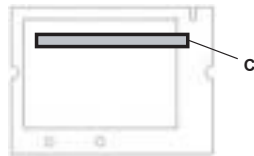
[LCD Unit]
(Rear)



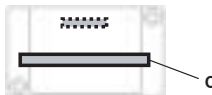
[Drive]
(Top)



[W-LAN Card]



[MODEM Card]



- A : Part No.
- B : Serial No.
- C : Revision No.
- D : Product Code
- E : Maker Barcode
- F : Global User ID (iLink)
- G : Mac Address

▭ : Barcode

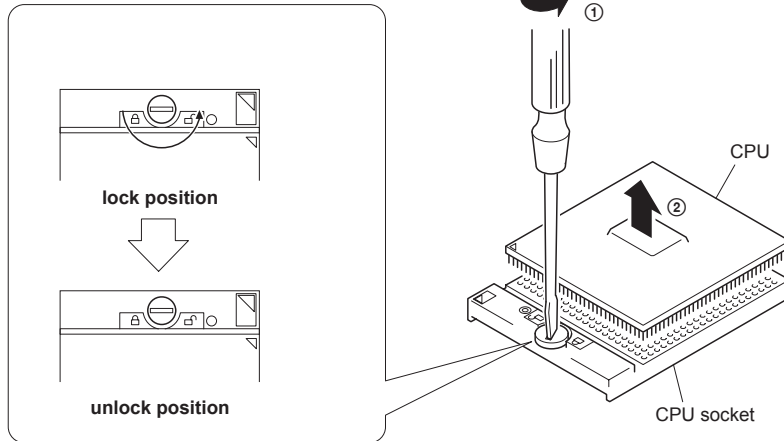
Confidential

VGN-B90PS (J)
VGN-B100/B100B/B150FP (AM)
VGN-B1VP/B1XP/B3VP/B3XP (EU)
VGN-B55C/B55G/B55L/B55S/B55T/B88C/B88GP/B88L (AO)

5-2. Replacing the CPU

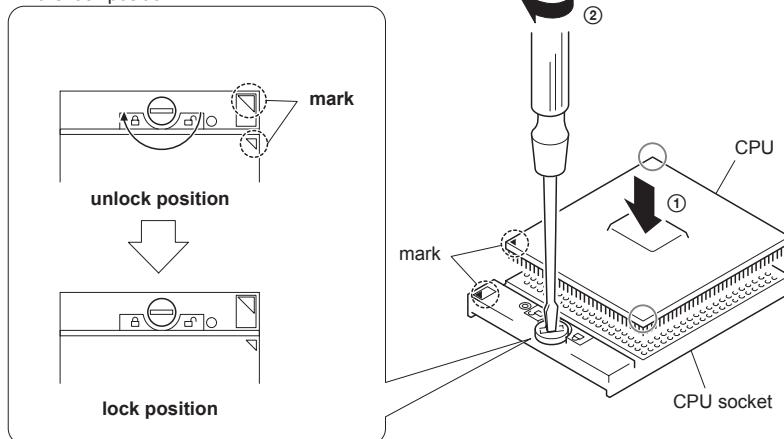
1. How to remove the CPU

- ① Rotate the lock with a flat-blade screwdriver toward the unlock position shown in the figure.
- ② Remove up the CPU.



2. How to install the CPU

- ① Position the mark on the CPU to the mark on the CPU socket and put in all pins to the holes on the CPU socket.
- ② Pressing two corners marked with ○ in the figure, rotate the lock with a flat-blade screwdriver toward the lock position.



Note: Lock the CPU properly, or operation becomes unstable.

Confidential

VGN-B90PS (J)
VGN-B100/B100B/B150FP (AM)
VGN-B1VP/B1XP/B3VP/B3XP (EU)
VGN-B55C/B55G/B55L/B55S/B55T/B88C/B88GP/B88L (AO)



VGN-B90PS (J)
 VGN-B100/B100B/B150FP (AM)
 VGN-B1VP/B1XP/B3VP/B3XP (EU)
 VGN-B55C/B55G/B55L/B55S/B55T/B88C/B88GP/B88L (AO)

List of VGN-B Series (As of April, 2005)

Service Manual Parts No.	Model Name				
	J	AM	EU	AO	
9-876-389-xx	VGN-B90PS*	VGN-B100B*	VGN-B1XP	VGN-B88GP	
		VGN-B100*	VGN-B1VP	VGN-B55G	
		VGN-B150FP	VGN-B3XP	☞	VGN-B88L
			VGN-B3VP	☞	VGN-B55L
					VGN-B88C
					VGN-B55C
					VGN-B55T
			VGN-B55S		
9-876-407-xx		VGN-B250FP		VGN-B99GP	
				VGN-B66GP	
				VGN-B99C	
				VGN-B66TP	
				VGN-B66SP	

* : CTO model

☞ : Additional Model

This manual and the constituent data may not be replicated, copied nor reprinted in whole or in part without prior written authorization of Sony Corporation.

本マニュアルの一部、または全部について、無断でデータの複製、複写、転載することを禁じます。

Revision History

Suffix	Ver.	Date	Contents	QM No.
-01	Ver. 1	2004.09.27	First Edition	
-02	Ver. 2	2004.10.08	△ Front Page (Model Lineup), Page 1-1, Page 4-1, Page 4-3, Page 4-5, Page 4-7, Page 4-14, Back Cover	N2004_103AK
-03	Ver. 3	2004.10.25	△ Front Page, Page 4-3, Page 4-7, Page 4-9, Page 4-11, Page 4-13, Back Cover	N2004_114CK
-04	Ver. 4	2004.11.05	△ Front Page (Model Lineup), Page 1-1, Page 4-1, Page 4-3, Page 4-5, Page 4-7, Page 4-13, Page 4-14, Back Cover	N2004_123AK
-05	Ver. 5	2005.04.28	△ Front Page (Model Lineup), Page 1-1, Page 4-1, Page 4-3, Page 4-5, Page 4-6, Page 4-7, Page4-9, Page 4-14, Back Cover	N2005_003AK
<Remarks>				