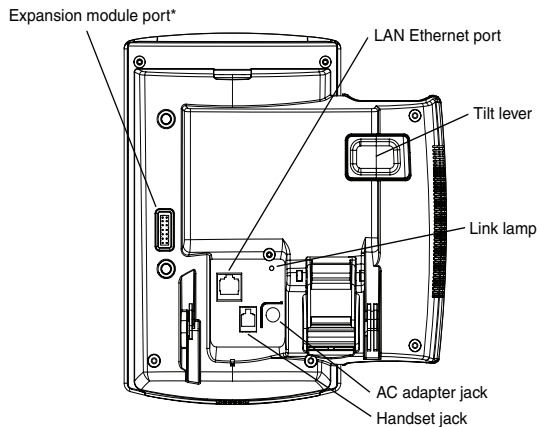


Nortel IP Phone 1120SA features

- Four user-defined feature keys with labels and indicators
- Four soft keys
- Graphical, high-resolution LCD display, backlit, with adjustable contrast
- High-quality speaker for on-hook listening
- Volume control keys for adjusting ringer, speaker, and handset volume
- Six specialized feature keys:
 - Quit, Directory, Message/Inbox, Shift/Outbox, Services, Copy
- Four call-processing fixed keys:
 - Mute, Handsfree for listening only, Goodbye, Hold
- Automatic network configuration
- Graphical XAS
- Hearing-aid compatibility



Figure 2
Connectors



*Note: If supported by your server, the Feature Status Lamp provides a user-defined alert. Contact your system administrator to find out if this feature is available for you.

Regulatory Information

Nortel IP Phone 1120SA Emissions Statement

This device complies with Part 15 of the FCC Rules. Operation is subject to the following two conditions: (1) this device may not cause harmful interference, and (2) this device must accept any interference received, including interference that may cause undesired operation.

Note: This equipment has been tested and found to comply with the limits for a Class B digital device, pursuant to Part 15 of the FCC Rules. These limits are designed to provide reasonable protection against harmful interference in a residential installation. This equipment generates, uses and can radiate radio frequency energy and, if not installed and used in accordance with the instructions, may cause harmful interference to radio communications. However, there is no guarantee that interference will not occur in a particular installation. If this equipment does cause harmful interference to radio or television reception, which can be determined by turning the equipment off and on, the user is encouraged to try to correct the interference by one or more of the following measures: reorient or relocate the receiving antenna, increase the separation between the equipment and receiver, connect the equipment into an outlet on a circuit different from that to which the receiver is connected, or consult the dealer or an experienced radio or TV technician for help.

The user should not make changes or modifications not expressly approved by Nortel Networks. Any such changes could void the user's authority to operate the equipment.

This Class B digital apparatus complies with Canadian ICES-003. Cet appareil numérique de la classe B est conforme à la norme NMB-003 du Canada.

Use only with Nortel-approved Limited Power Source (output rated 48 V DC, 520mA.)

Warning: The earpiece/mouthpiece region on the handset can attract and retain small objects.



IP Phone 1120SA Getting Started Card

Date: October 2009
Document Release: 01.01
Document Number: NN43122-100

Copyright © 2009 Nortel Networks.
All rights reserved.
* Nortel, the Nortel logo, and the Globemark are trademarks of Nortel Networks.
To provide feedback or report a problem in this document, go to www.nortel.com/documentfeedback.

The *Bluetooth* word mark and logos are owned by the Bluetooth SIG, Inc. and any use of such marks by Nortel Networks is under license. Other trademarks and trade names are those of their respective owners.

NORTEL

www.nortel.com

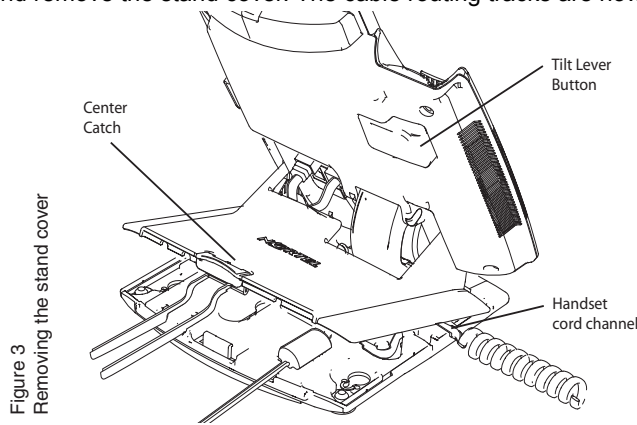
NORTEL

www.nortel.com

IP Phone 1120SA installation

Caution: Your IP Phone 1120SA is shipped with the base locked in position. To avoid damaging your phone, press the wall-mount lever, located just under the Handsfree key as indicated in Figure 5, to release the base and pull it away from the phone.

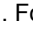

Step 1: Remove the stand cover. Pull upward on the center catch as indicated in Figure 3, and remove the stand cover. The cable routing tracks are now accessible.

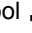



Step 2: Connect the AC power adapter. Connect the adapter to the AC adapter jack in the bottom of the phone. Form a small bend in the cable, and then thread the adapter cord through the channels in the stand.

Warning: Use your IP Phone 1120SA with the approved Nortel AC adapter (model #NTYS17SAGS) for this model of phone only.

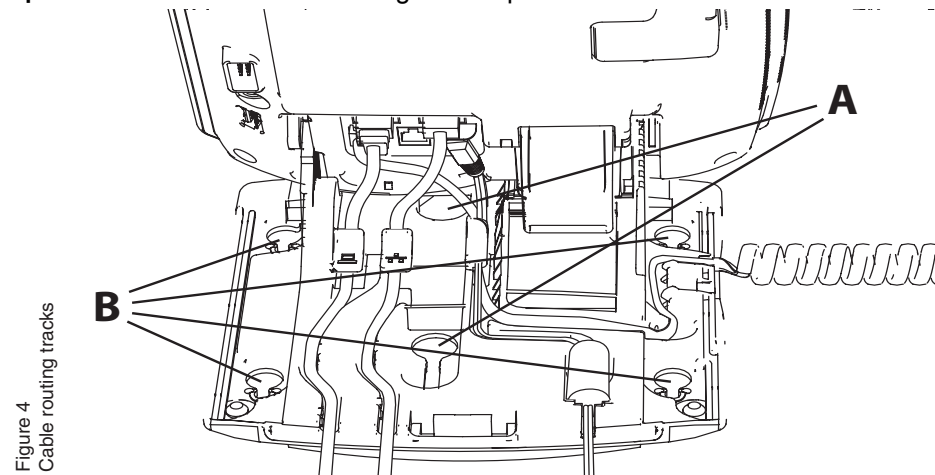
Note: You must use CAT-5e (or later) cables if you want to use gigabit Ethernet.

Step 3: Install the handset. Connect the end of the handset cable with the short straight section into the handset. Connect the end of the handset cable with the long straight section to the back of the phone, using the RJ-9 handset jack marked with the symbol . Form a small bend in the cable, and then thread the handset cord through the channels in the stand so that it exits behind the handset on the right side, in the Handset cord exit marked with the symbol  in the stand base, as shown in Figure 3.

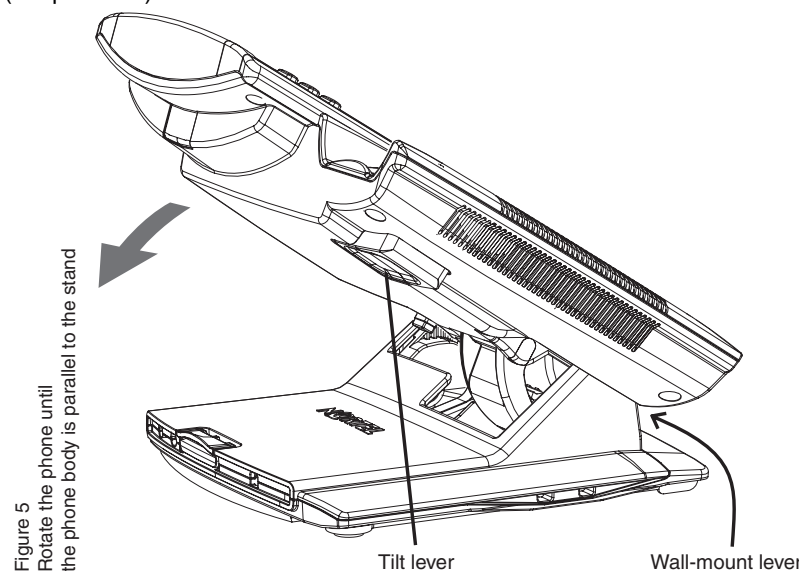
Step 4: Install the Ethernet cable. Connect one end of the supplied Ethernet cable to the back of your phone using the RJ-45 connector marked with the symbol , and thread the network cable through the channel marked with the symbol .

IP Phone 1120SA installation

Step 5: Install additional cables. Plug the adapter into an AC outlet.



Step 6: Wall-mount your phone (optional). Your IP Phone 1120SA can be mounted either by: (Method A) using the mounting holes on the bottom of the phone stand, or (Method B) using a traditional-style wall-mount box with RJ-45 connector and 15-cm (6-inch) RJ-45 cord (not provided).



Complete steps 1-5, as needed, before you wall-mount your phone:

Method A: Press the wall-mount lever, and pull the phone away from the stand, as shown in Figure 5. Using the stand cover (the part you removed in step 1), mark the wall-mount holes by pressing the bottom of the stand cover firmly against the wall in the location where you wish to install the phone. Four small pins on the bottom of the stand cover make marks on the wall. Use the marks as a guideline for installing the wall-mount screws (not provided). Install the screws so that they protrude 3 mm (1/8 inch) from the wall, and then install the

IP Phone 1120SA installation and controls

phone stand mounting holes over the screw heads, as indicated in Figure 4 (Method A). You may need to remove the phone from the wall to adjust the lower screws. When the lower screws are snug, install the phone on the mounting screws, and then tighten the top screws.

Method B: Attach the 15-cm (6-inch) CAT5e cable, position the stand over the mounting rivets, and slide the phone down the wall so that the rivets fit into the slots on the stand, indicated in Figure 4 (Method B).

Step 7: Replace the stand cover. Ensure that all cables are neatly routed and press the stand cover into place until you hear a click.

Step 8: Put the phone in the wall-mount position (optional). If you wall-mounted your phone, put it in the wall-mount position by holding the Tilt Lever and pressing the phone towards the base until the phone is parallel with the base. Release the Tilt Lever and continue to push the phone towards the base until you hear an audible click. Ensure the phone is securely locked in position.

IP Phone 1120SA controls:

Controlling volume

Press the up or down volume control key while using your handset or speaker to adjust the volume of the associated device.

Answering a call

Lift the handset to answer a ringing call.

Making a call with the handset

To make a call using the primary line, lift the handset and enter the phone number on the dialpad. If your phone is programmed with several line keys, press a line key to select a line before calling. When your call is complete, press the **Goodbye** key or return the handset to the cradle.

On-hook dialing using the listen-only speaker

Press the **Handsfree** key. Enter the phone number.

To speak, lift the handset. When your call is complete, press the **Goodbye** key or return the handset to the cradle.

Using Hold

While on a call, press the **Hold** key to place your caller on hold. Press the line key to retrieve your call. The icons next to the line keys indicate held lines.

Setting the contrast

To adjust the display contrast, press the **Services** key, select **Telephone Options**, and select **Contrast Adjustment**. Use the up/down arrow keys or up/down soft keys to change the setting.

Setting the language

To select the language, press the **Services** key twice quickly to open the local menu. Select **1. Preferences**, select **2. Language**, and use the up or down arrow keys to select the language. You can also access the language selection through the call server by pressing the **Services** key once and using the **Telephone Options** menu.