

PP-MK

Modular Video Door Station



PP-MK with PPW-2P Mounting Frame

DESCRIPTION:

The PP-MK is a modular video door station, used with the MK or MY Video Entry Systems for audio and video door answering. With its modular design, mounting can be either horizontal or vertical.

The unit consists of separate audio and video modules. The video module has a built-in CCD camera, providing a wide angle view of the entry area, 95 degrees horizontally and 70 degrees vertically. The camera angle is adjustable up to 16 degrees above level (at the time of installation).

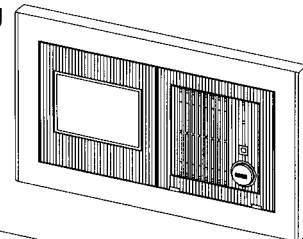
The PP-MK can be used with any MK or MY series video entry system. Choose the system that best suits the needs of the inside locations. When using the MY series, the PanTilt control pad will be non-functional.

The PP-MK flush mounts into a 4-gang box, along with the PPW-2P mounting frame.

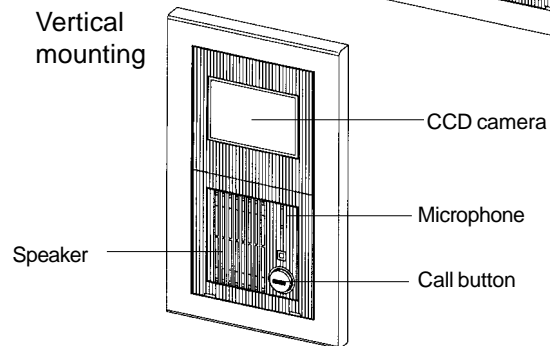
COMPATIBLE SYSTEMS:

- MK-1MD/A Monitor/handset room station
- MY-1CD PanTilt Monitor/handset station
- MY-2CD PanTilt Plus System
- MY Video with IE, TD-H, or LEF Audio

Horizontal mounting



Vertical mounting

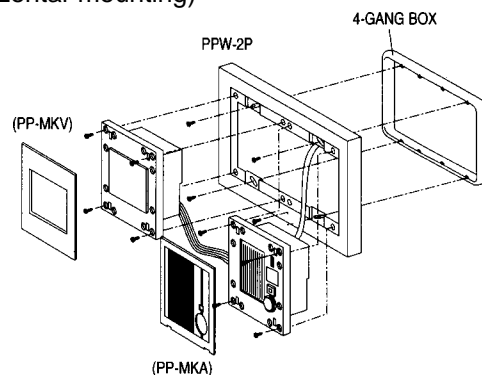


FEATURES:

- Vertical or horizontal mounting
- Wide angle camera with vertical adjustment at the time of installation
- Compatible with MK or MY series
- CCD camera with LED illuminators for low light conditions
- Hands free communication

MOUNTING & INSTALLATION:

(Horizontal mounting)



ARCHITECTS/ENGINEERS' SPECIFICATIONS:

The video door station shall be Aiphone model PP-MK, with individual audio and video modules. The video module shall be equipped with a CCD camera and infrared LEDs for low light conditions. The camera shall be wide angle, with a horizontal and vertical viewing range of 95 x 70 degrees. The vertical angle of the camera shall be manually adjusted upwards by up to 16 degrees above level at the time of installation. The audio module shall contain a call button and a speaker/microphone for two-way communication.

Pressing the call button shall activate a chime and turn on the video monitor at the inside station(s). (MK or MY series). Each inside station shall have door release capability with the button identified with a "key" symbol.

Wiring from the PP-MK shall be a 2 conductor, non-twisted, non-shielded cable homerun to the first monitor (or video adaptor). If an additional monitor or handset is included, wire shall be daisy-chained from the first monitor/handset station to the next inside station.

The unit shall be flush mounted into a 4-gang mounting ring or box, along with the PPW-2P mounting frame.

The dimensions of the PP-MK video door station shall not exceed 3-3/8" high by 7-1/4" wide by 1-9/16" deep. Dimensions with the PPW-2P shall not exceed 5-1/8" high by 8-3/4" wide by 9/16" deep.

Manufacturer must have earned ISO 9001 certification for quality standards.

SPECIFICATIONS:

Power source: Supplied by Monitor

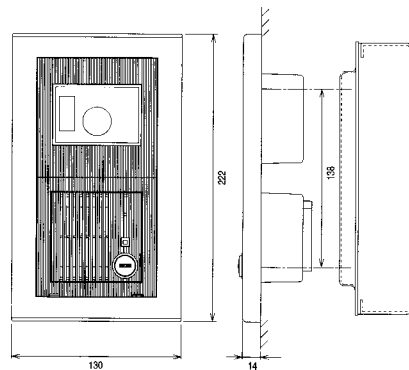
Camera unit: CCD camera with infrared LEDs

Image viewing area: 95 degr. horizontally, 70 degr. vertically.

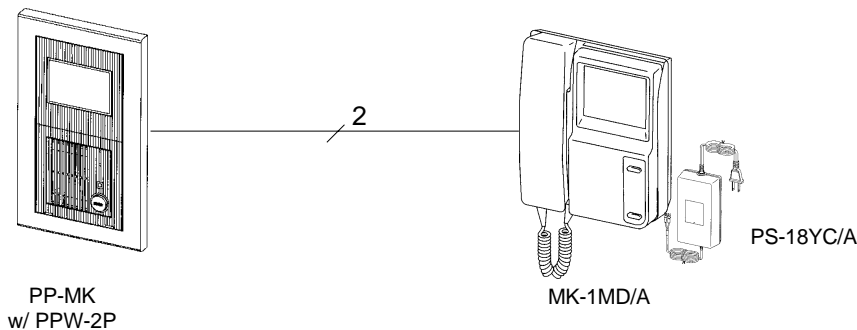
Wiring: 2 conductors from door station to MK-1MD/A or MY monitor.
Aiphone wire #841802 (18AWG)

Wiring Distance: 330' w/18AWG
980' w/ MYW-BA adptr. and #851602 wire

Dimensions (H x W x D): PP-MK Alone
3-3/8" x 7-1/4" x 1-9/16"
With PPW-2P Frame
5-1/8" x 8-3/4" x 9/16"



SYSTEM LAYOUT EXAMPLE:



*Intercom Solutions For
Communications and Security*

PP-MK-SS 91328 0299
Printed in USA