

NE-SS-1G

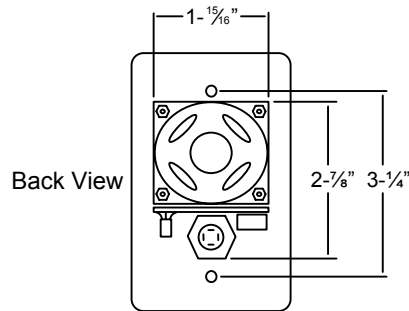
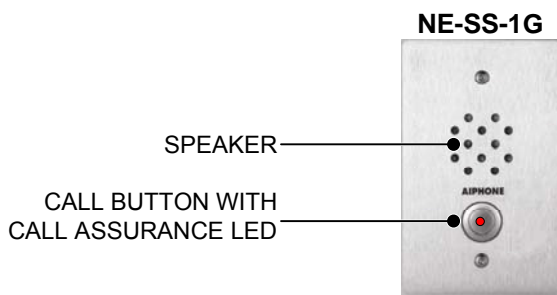
Vandal and Weather Resistant 1-Gang Sub Station

- INSTRUCTIONS -

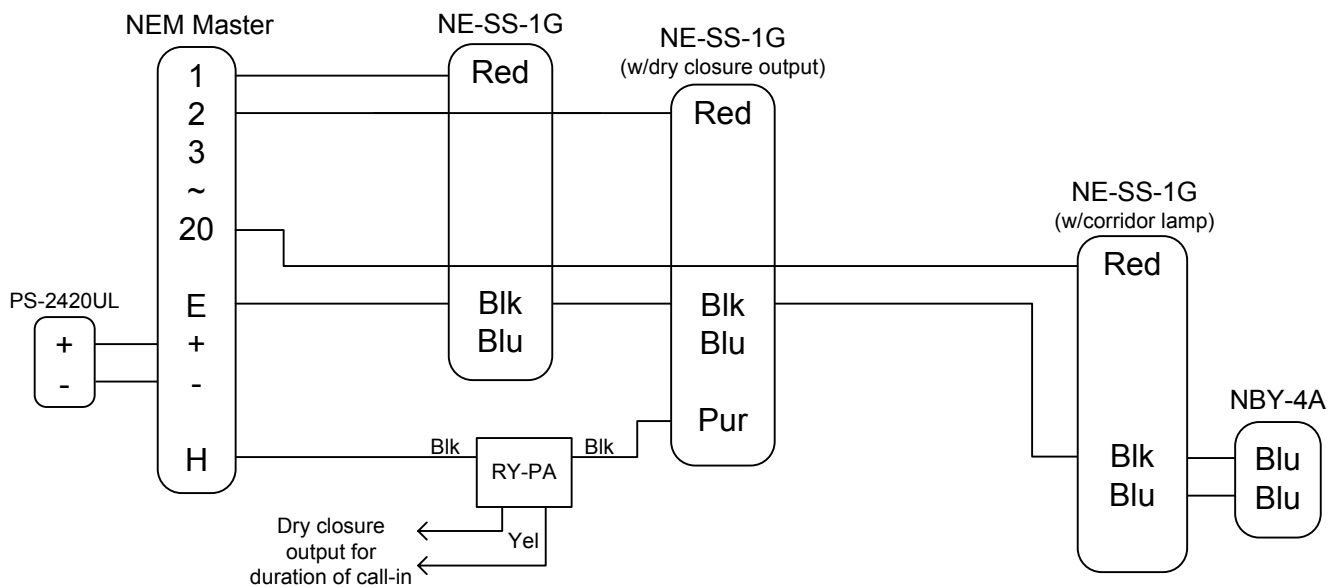
The NE-SS-1G is a 1-gang vandal proof and weather resistant sub stations designed for use with the NEM, NDR and NDRM systems. This unit is constructed of 12 gauge stainless steel and is equipped with an option for an external output contact closure when the sub station places a call (relay required). The unit either flush mounts into a 1-gang box, or surface mounts with the SBX-SS-1G. Each unit includes tamper proof screws and a tool for installation.

INSTALLATION:

1. For flush mounting, install sub station in standard 1-gang electrical box with min. 2-1/2" depth.
2. For surface mounting, install sub station in the SBX-SS-1G surface mount enclosure.
3. **IMPORTANT!** This unit is designed for use in normal weather conditions, and is made to allow for drainage and evaporation of moisture that naturally gets into it. **Do not apply caulking or silicone sealant around the unit when installing, and do not use weather stripping around the perimeter of the box when mounting.** If sealing the unit is required, the bottom must remain unsealed. Sealing the unit will prevent or inhibit moisture from dissipating from inside the unit, which may cause corrosion or deterioration to the internal components over time. Warranty does not cover damage caused by sealing the unit.



WIRING DIAGRAM:

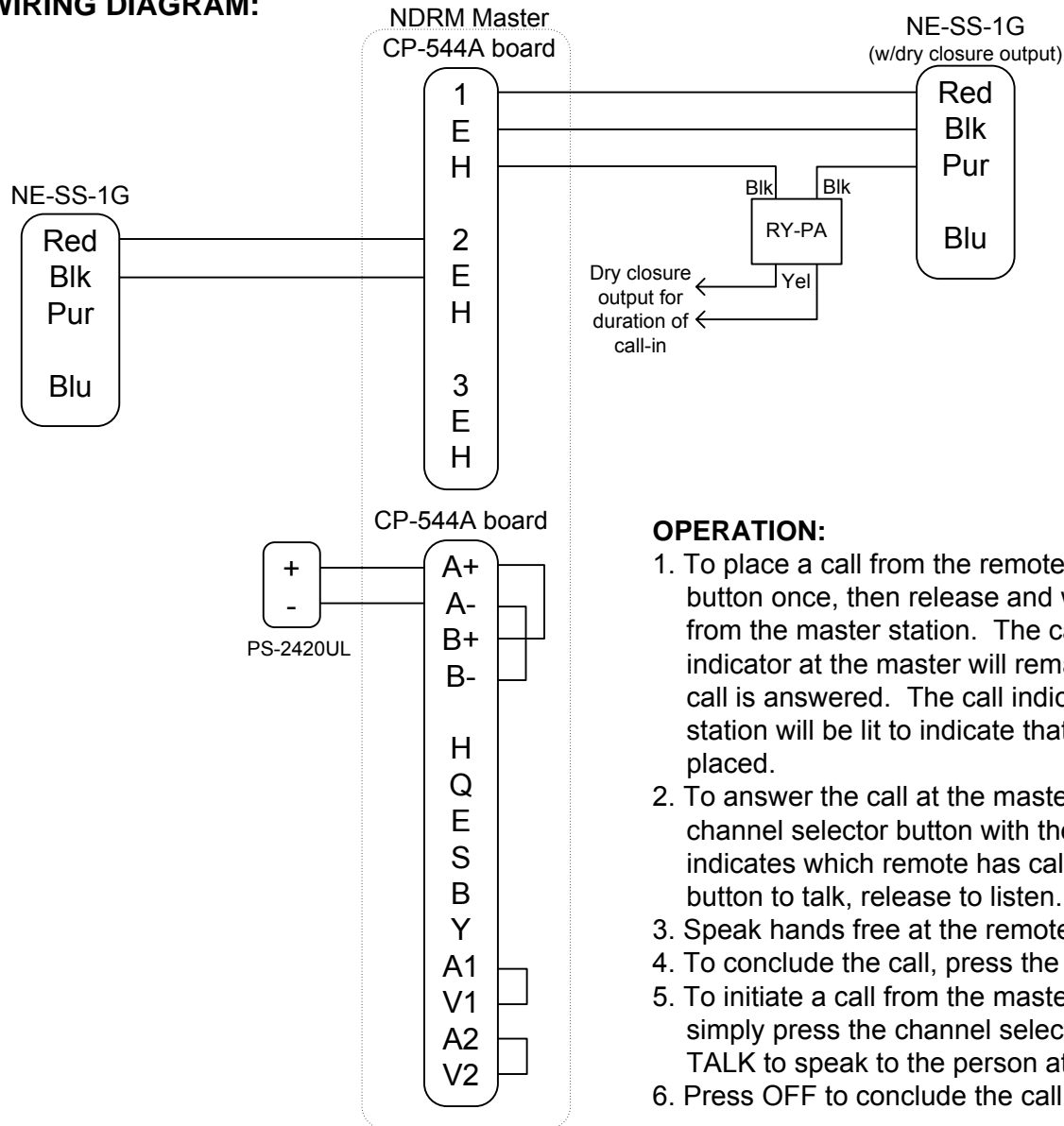


WIRE DESIGNATIONS:

Red: + side of speaker. Connect to station number on master station.
 Blue: Trigger for corridor lamp. 7V DC when call-in signal is activated.
 Black: - side of speaker (common). Connect to E on master station.
 Purple: Negative trigger wire for extra relay contact closure at sub during call-in.

Small wht & blk: Speaker connection to PCB
 Small brn (x2): Call button connection to PCB

WIRING DIAGRAM:



OPERATION:

1. To place a call from the remote station: Press the call button once, then release and wait for a response from the master station. The call tone and LED indicator at the master will remain activated until the call is answered. The call indicator LED on the door station will be lit to indicate that a call has been placed.
2. To answer the call at the master station: Press the channel selector button with the lit LED, which indicates which remote has called in. Press TALK button to talk, release to listen.
3. Speak hands free at the remote station.
4. To conclude the call, press the OFF button.
5. To initiate a call from the master station to the remote, simply press the channel selector button, then TALK to speak to the person at the remote.
6. Press OFF to conclude the call.

SPECIFICATIONS:

Power Source:	Supplied by master station
Speaker:	20 ohms, 1.92" square, water proof and puncture resistant, 0.44 oz. magnet
Call Button:	SPST call button, momentary activation limited stop button.
Call Annunciation:	Pressing the call button at sub activates and latches call at NEM master. The master station's LED will be lit and a ringing tone will be heard until the call is answered.
Communication:	Hands free at sub. Master is push-to-talk or VOX with handset.
Faceplate:	12 gauge stainless steel
Mounting:	Flush mount into a 1-gang box. Surface mount into SBX-SS-1G, sold separately. Tamper proof screws included (6x32 for use with flush gang box) with T-10 TORX bit. Use hardware included with SBX-SS-1G when installing sub into that unit.
Terminations:	Color-coded prewired pigtails
Operating Temperature:	Speaker rating: -67°F to 185°F (-55°C to 85°C) Switch rating: -40°F to 257°F (-40°C to 125°C)
Wiring:	2 conductors homerun; or 1 common plus 1 individual per sub, looped through each sub. Shielded cable is recommended. Use Aiphone #822202 or #821802 for homerun wiring, #822206 for up to 5 stations on each run, or #822210 for up to 9 stations on each run.
Wiring Distance:	420' with 22AWG; 1,000' with 18AWG
Dimensions (HxWxD):	NE-SS-1G alone: 4-1/2" x 2-3/4" x 1-5/8" With SBX-SS-1G: 4-9/16" x 2-15/16" x 2-7/8" (Top) 2-1/8" (Bottom)

Aiphone Communication Systems
1700 130th Ave. N.E.
Bellevue, WA 98005
(425) 455-0510
FAX (425) 455-0071

TOLL FREE TECHNICAL SUPPORT: (800) 692-0200
TOLL FREE FAX LINE: (800) 832-3765
TECHNICAL SUPPORT E-MAIL: tech-serv@aiphone.com

NE-SS-1G Instr.
1105JDJS