



# ASSEMBLY INSTRUCTION

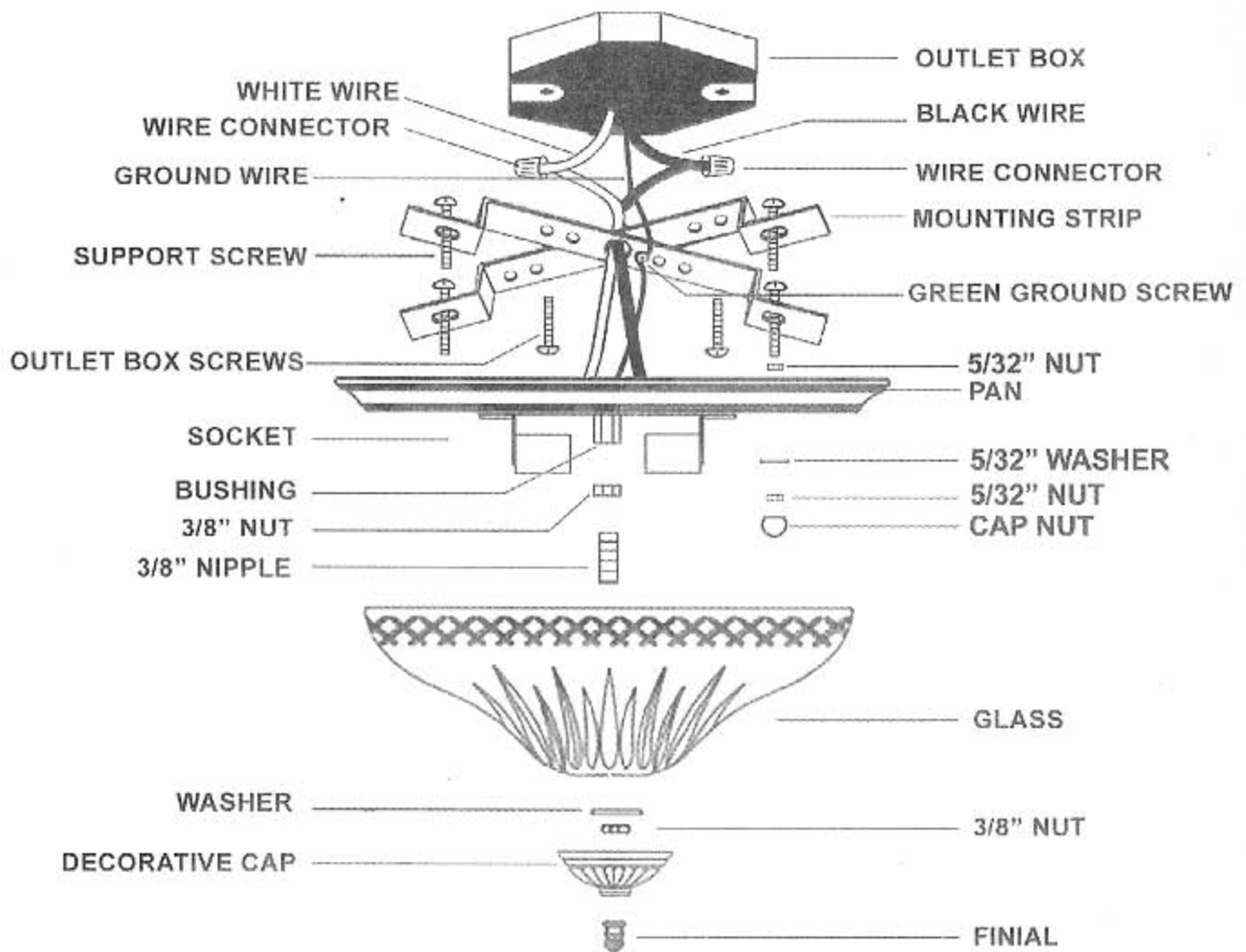
ITEM# 29326-24

1. Attach mounting strip to outlet box using outlet box screw (shorter).
2. Secure support screws into mounting strip. Then secure by tightening with 5/32Nut.
3. Connect the wires from the fixture to the power supply wires from outlet box.
  - A. Twist together white wire from the fixture with white wire from outlet box. Cover with wire connectors.
  - B. Twist together black wire from the fixture with black wire from outlet box. Cover with wire connectors.
  - C. Wrap the ground wire from the fixture and outlet box around the green ground screw located on the mounting strip. Tighten the green ground screw to the mounting strip.
4. Attach the pan to mounting strip by passing four support screw through the four holes, Then secure by tightening with 5/32" Washer, 5/32Nut and Cap Nut.
5. Install bulb (not included) into socket. Do not use greater than 60 watt bulb.
6. Thread the nipple into bushing and secure with hex nut, then set glass, washer, nut, cap over the nipple and secure by tightening with finial.

**NOTE:** Carefully remove the fixture from the carton. Check that all parts shown in package parts 1 and parts 2 are included. Be carefully not to misplace any of the screws or wire connectors, which are needed for installing the fixture.

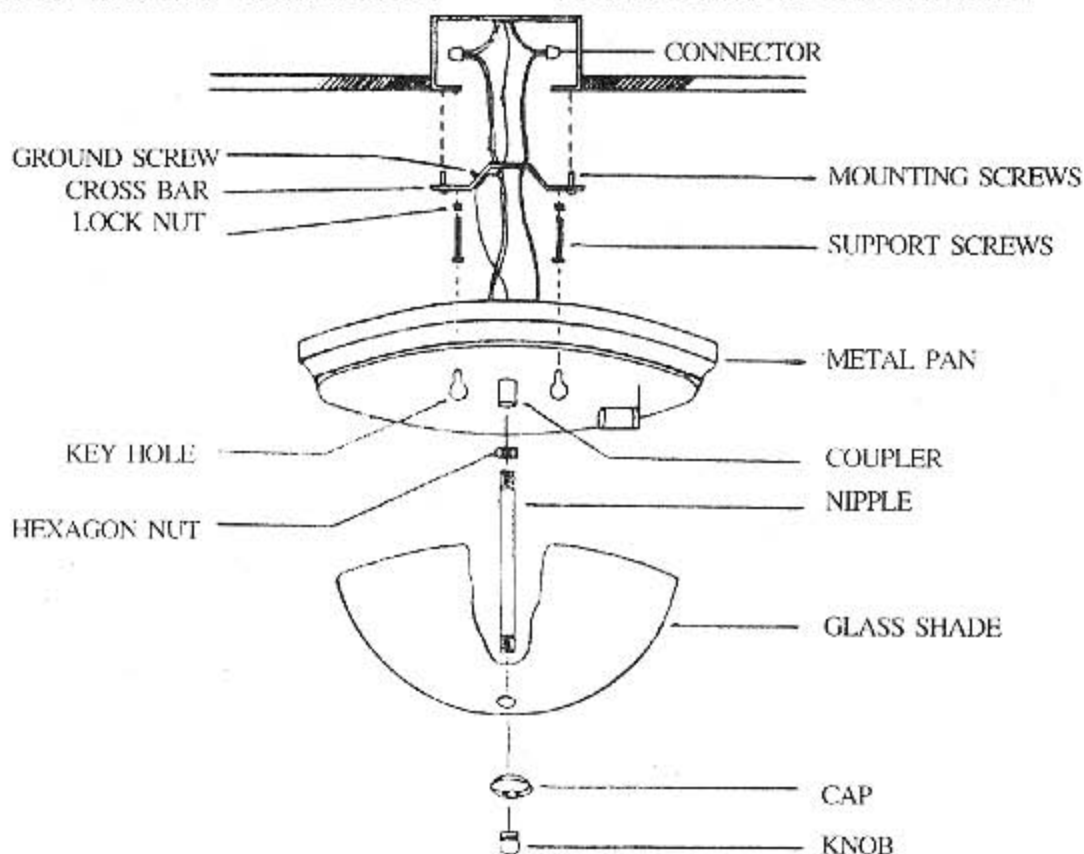
### PACKAGE PART

Wire connector	2	Finial	1
Green ground screw	1	Decorative cap	1
Outlet box screws	2	3/8" Nut	2
Support screw	4	Washer	1
Mounting strip	1	3/8" Nipple	1
5/32"Nut	8	Glass	1
Cap Nut	4		
5/32" Washer	4		



CONNECT WHITE WIRE FROM OUTLET  
BOX TO WHITE WIRE FROM FIXTURE

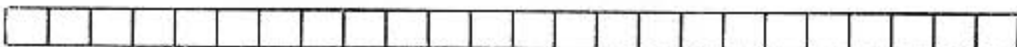
CONNECT BLACK WIRE FROM OUTLET  
BOX TO BLACK WIRE FROM FIXTURE



**CAUTION:** DISCONNECT POWER AT MAIN FUSE BOX BEFORE INSTALLING FIXTURE TO PREVENT POSSIBLE INJURY FROM THE ELECTRICAL SHOCK.

- (1) REMOVE ALL PARTS AND PARTS PACKAGE FROM CARTON.
- (2) PUT THE SUPPORT SCREWS INTO THE OPPOSITE SIDE OF THE CROSS BAR FACE TO THE OUTWARD AND PUT THE CROSS BAR TO THE OUTLET BOX USING THE 2 MOUNTING SCREWS.
- (3) CONNECT THE BLACK WIRE FROM THE FIXTURE TO BLACK WIRE FROM THE OUTLET BOX, THE WHITE WIRE FROM THE FIXTURE TO THE WHITE WIRE FROM OUTLET BOX AND CONNECT GROUND WIRE FROM FIXTURE AND GROUND WIRE FROM OUTLET BOX ON TO CROSS BAR.
- (4) SET THE METAL PAN TO THE SUPPORT SCREW OF THE CROSS BAR WITH THE SUPPORT SCREWS PASS THROUGH THE 2 KEY HOLES OF THE METAL PAN.
- (5) THREAD THE NIPPLE TO THE COUPLER AND ADJUST THE HEXAGON NUT PROPERLY TO SET THE GLASS ON TO THE NIPPLE IN CORRECT LENGTH. THEN WITH CAP AND SECURE WITH KNOB.
- (6) INSTALL LIGHT BULBS.  
CAUTION - REFER THE RELAMPING LABEL FOR RECOMMENDED WATTAGE, DO NOT EXCEED THE RECOMMENDED WATT.
- (7) INSTALLATION IS COMPLETE AND POWER MAY NOW BE RECONNECTED AT MAIN FUSE BOX.

# READ & SAVE THESE INSTRUCTIONS



## INSTALLATION OPERATION INSTRUCTIONS

### TOOLS & MATERIALS REQUIRED

- Blade screw driver
- Adjustable wrench
- Step Ladder
- Wire cutters
- Wiring supplies as required by electrical code

**CAUTION:** Before assembling your Lighting fixture, refer to the section titled **ELECTRICAL CONNECTIONS**. If you feel you do not have electrical wiring experience, refer to a do-it-yourself wiring handbook or have your fixture installed by a qualified licensed electrician.

### GENERAL

1. To ensure the success of the installation, be sure to read these instructions and review the diagrams thoroughly before beginning.
2. All electrical connections must be in accordance with local codes, ordinances, or the National Electrical Code. If you are unfamiliar with methods of installing electrical wiring, secure the services of a qualified licensed electrician.
3. These fixtures are intended to be mounted to a 4" x 2 1/4" deep metal octagon outlet box. The box must be directly supported by the building structure.
4. Before starting the installation, disconnect the power by turning off the circuit breaker or by removing the fuse at the fuse box. Turning the power off using the light switch is not sufficient to prevent electrical shock.

Care should be taken to attach the unit without drilling into or interfering with, any supply wiring hidden in the fabric of the ceiling.

**NOTE:** The important safeguards and instructions appearing in this manual are not meant to cover all possible conditions and situations that may occur. It must be understood that common sense, caution, and care are factors which cannot be built into any product. These factors must be supplied by the person(s) caring for and operating the fixture.

### UNPACK THE FIXTURE

Check the contents of the box. You should receive:

- Mounting hardware package
- Lampholder assembly(s)
- Mounting bracket
- Shade(s) - not provided on all models
- Shade attachment screws (3 for each shade) - not provided on all models

## PREPARE THE FIXTURE NOTE: FIRST TURN OFF ELECTRICITY ADJUST THE CROSS BAR

If you are replacing an existing fixture, disconnect and remove the old fixture. Expose the supply wiring from the outlet box.

Fasten the mounting bracket to the outlet box using the two screws supplied. For chain suspended fittings attach the chain to the finial (support loop) on the top of the fitting. Adjust the chain length by removing one link at a point best suited to the location and required distance from the ceiling. Weave the cable through the chain links. Attach the canopy finial to the canopy using the lock washer and nut provided. Pull the cable through the hole in the center of the canopy finial. Attach chain to the finial. Cut excess cable leaving six inches for electrical connections. Remove three inches of cable sheathing and divide the cable into three separate leads. Pull cable through plastic cable grip to prevent strain on terminals.

### ELECTRICAL CONNECTIONS

To make electrical connections:

Connect the white wire(s) from the fixture to the white wire of the supply circuit. Connect the black wire(s) from the fixture to the black wire of the supply circuit. Connect the green (or bare copper) colored wire to the grounding conductor of the supply circuit. If your fixture is supplied with an SPT Cord connect the half of the SPT Cord that is ribbed surface to the white wire of the supply circuit. Connect the smooth half of the wire (the half with markings) to the black wire of the supply circuit. Use U.L. Listed wire connectors suitable for the size, type, and number of conductors. No loose strands or loose wires should be present. Secure wire connectors with U.L. listed electrical tape.

**WARNING THIS FITTING MUST BE EARTHED**

### FINAL ASSEMBLY

Place canopy against mounting surface allowing the threaded tube to pass through canopy and secure with support loop locking ring. For ceiling mounting, place fitting against mounting surface allowing the machine screws to pass through the cover and secure with mounting nuts and lock washers provided. For ceiling fittings with channel shape mounting bracket, place the coverplate over the channel and secure screws provided. If applicable, place eandle covers over lampholders before installing lightbulbs. Install the lightbulbs. (not provided) Hang glass diffusers. If applicable place plastic tips on ends of diffuser hooks.

**CAUTION:** Refer to relamping label located near the lampholder for recommended maximum wattage.

**DO NOT EXCEED RECOMMENDED WATTAGE.**

If applicable, attach shades to fitting. Some shades require the use of shade attachment screws. Do not overtighten these screws, too much pressure could cause glass breakage.

Reconnect electricity and check the operation of lighting fitting.