

DESCRIPTION

An adjustable Single-lamp Recessed fixture for trimless installation suitable for downlighting and accent applications. Utilizes ONE (1) PAR38 Metal Halide lamp.

For remodel applications. Insulation must be kept 3" from all sides and at least 1" above the housing.

| | | |
|--------------------|--|-------------|
| Catalog # | | Type |
| Project | | |
| Comments | | Date |
| Prepared by | | |

SPECIFICATION FEATURES

A... Housing

Housing and junction box are aluminum, trimless meshplate is steel with powder coated finish. Perforated meshplate allows for trimless installation in drywall/plaster ceilings by allowing the ceiling's mudding compound to be applied right up to the edge of the fixture opening. Includes a beveled "knife-edge" lips to ensure a clean edge. Can accommodate various ceiling thickness.

B... System Protection:

Thermal protection provided to guard against overheating and misuse of insulation over and around fixture. Vent holes in housing provide cooler operation.

C... Junction Box

Junction Box is UL listed for through branch wiring, 6 #12 90° C supply conductors or 60° C for end of run. The fixture is also UL listed as 'access above ceiling not required'.

D... Electrical

Integral electronic metal halide ballasts are mounted in a separate metal enclosure box attached to the junction box with 18" of flexible conduit. Ballast enclosure includes a separated wiring compartment and two knockouts for conduit entry and features a perforated metal door for easy maintenance access and cooler operation. Entire electrical assembly (jbox and ballast enclosure) is removable from the housing for easy maintenance.

E... Lamps

One (1) PAR38 Metal Halide lamp mounted in adjustable double gimbal. Lamp holder is removable and may be regressed 1" for additional cut-off. Lamp can accept optical accessories. 45° x 45° locking lamp adjustment. Beveled-edge lamp ring is secured with threadless, bayonet action. Optional retractable arm is available for lamp pull-down and extreme

aiming. Includes Med. Base socket.

F... Mounting

Mounting clips are provided which mount the housing edge flush with the finished ceiling line. Mounting clips are secured to the housing through the meshplate with screws.

G... Labels

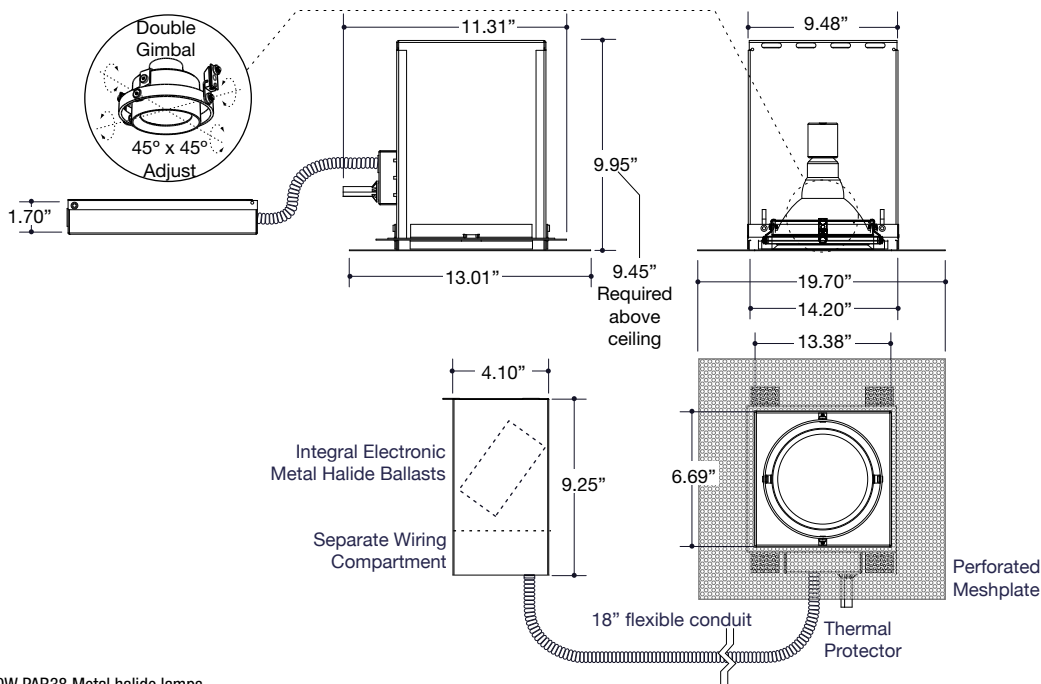
cULus listed for non-type IC applications, suitable for use in damp locations.

Ceiling Cut-Out: 7.80" x 7.80"

COMBOLIGHT® Next Generation Recessed Single-Lamp Fixture

One (1) Light
PAR38 Metal Halide

Remodel Housing
Trimless



For use with 70W or 100W PAR38 Metal halide lamps.

ORDERING INFORMATION



| | | | | |
|---|---|--|---|--|
| C1 | R | E | N | N |
| Configuration C1 = COMBOLIGHT Recessed One (1) Light | Lamp Type / Wattage Label 070M38 = 70 Watt PAR38 Metal Halide 100M38 = 100 Watt PAR38 Metal Halide | Power Supply Voltage 1 = 120V 2 = 277V | Lamp Mechanism G = Double Gimbal R = Retractable Double Gimbal | Trim Insert Finish N = Trimless |
| Housing R = Remodel | | Power Supply E = Electronic Metal Halide Ballast | Trim Insert N = Trimless | Housing Interior/Electrical Door/Sleeve Finish W = White B = Black S = Industrial Silver |