

SLB Surface Box 2' x 2' Fluorescent **SLB2SFSVA26U**

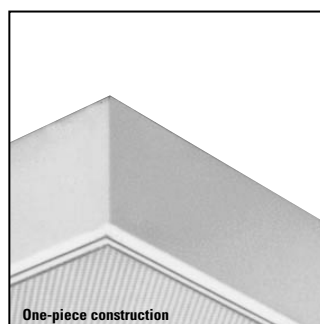
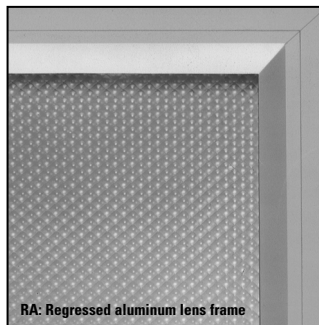
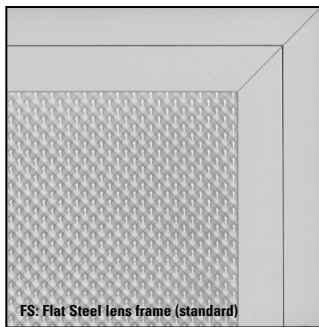
Page 1 of 2 Flat Steel or Regressed Aluminum Frame, 2-6"U Lamp T8 or T12, 4-2' Linear T8 or T12 Lamp

Features

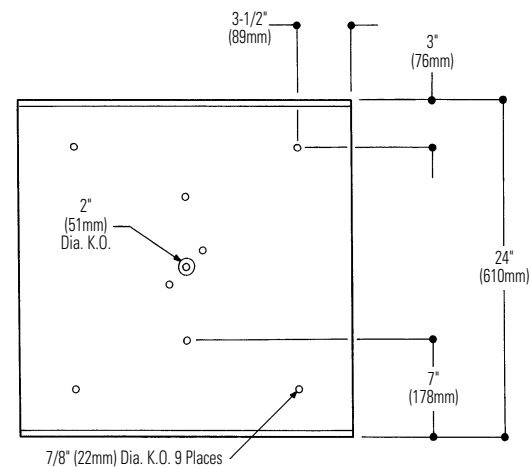
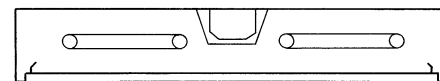
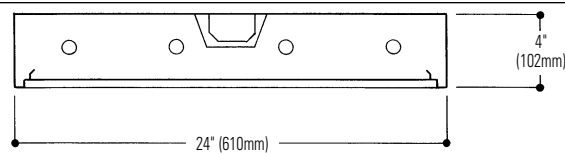
- Shallow 4" deep body.
- Positive cam-action latches frame on either side.
- Efficiency 63.6% (2 T8U6).
- Center mounted ballast compartment.
- Snap-on wiring channel cover removed without tools.
- Matte black light seal on both sides to prevent light leaks.
- Spot welded one-piece construction.



Mounting Methods



Dimensions



Job Information

Type:

Job Name:

Cat. No.:

Lamp(s):

Volts/Ballast:

Lightolier a Genlyte Thomas Company

www.lightolier.com

Technical Information: (978) 657-7600 • Fax (978) 658-0595

631 Airport Road, Fall River, MA 02720 • (508) 679-8131 • Fax (508) 674-4710

We reserve the right to change details of design, materials and finish.

Copyright 2002 Lightolier

Section 3A/Folio H70-11

LIGHTOLIER®

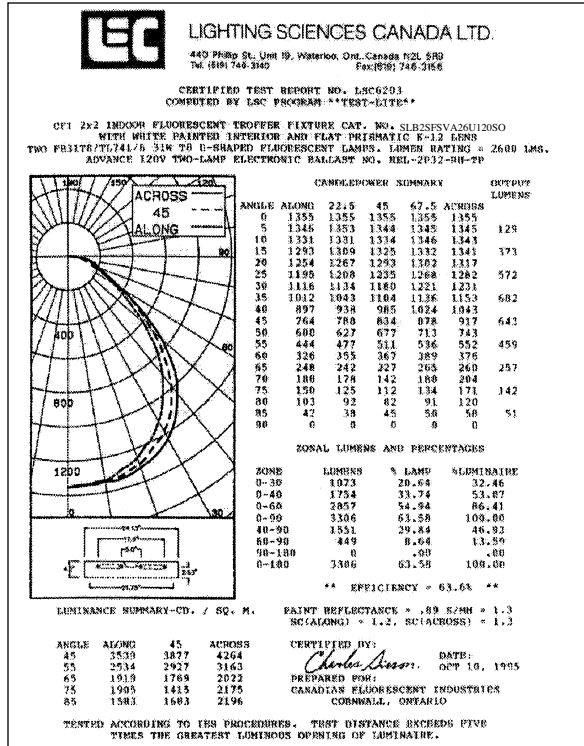


SLB Surface Box 2' x 2' Fluorescent **SLB2SFSVA26U**

Page 2 of 2 Flat Steel or Regressed Aluminum Frame, 2-6"U Lamp T8 or T12, 4-2' Linear T8 or T12 Lamp

Photometry

Model No. SLB2SFSVA26U120S0



coefficients of utilization — zonal cavity method

	RF	20			50			80		
	RC	80			50			30		
	RW	70	50	30	50	30	10	50	30	10
room cavity ratio	1	70	68	45	64	62	60	61	60	59
	2	65	61	57	57	54	52	55	53	51
	3	60	54	50	52	49	45	50	47	44
	4	55	49	44	46	42	39	45	42	39
	5	51	44	38	42	37	34	40	37	34
	6	47	39	34	38	33	30	37	33	30
	7	44	36	30	34	30	27	33	29	26
	8	40	32	27	31	26	23	30	26	23
	9	37	29	24	28	23	20	27	23	20
	10	34	26	21	25	21	18	25	21	18

Ordering Information

Explanation of Catalog Number. Example: SLB2SFSVA26U120S0

SL	B	2	S		VA					
SLB Surface: Lens Frame Surface Fluorescent	Body Style: Surface Box	Fixture Width	Ceiling Type: S = Surface	Lens Frame: FS = Flush full-size steel frame RA = Regressed flush full-size aluminum frame	Lens Shielding Type: VA = Pattern 12 lens, .095" nominal prismatic lens (standard). see options and consult factory.	Lamp Quantity: 2 = 2 Lamp 4 = 4 Lamp	Lamp/Fixture Length: 6U = T8, 6"U Lamp 17 = T12, 2' Lamp (Nominal 24")	Voltage: 120 or 277	Ballast Type: LE Standard Electro Magnetic P T12 (20 watt only)	Options: Add appropriate suffix to catalog no, ie: (GLR)

1- 2 Lamp Mag. T12
1-2 Lamp Elec. T8
1-4 Lamp Elec. T8
LOL Dimming T8
*Instant Start Standard
Other dimming options. Consult factory.

<20THD <10THD
S0* HI*
O4* H4*
PS

Options & Accessories

Fusing: Internal fast-blow fusing. Suffix: **GLR**.

Internal slow-blow fusing. Suffix: **GMF**.

Electrical/Wiring Options: Consult factory.

Radio Interference Filter: 120 or 277 volt, 50 or 60 Hz. One per fixture.

Suffix: **R**. One per ballast. Suffix: **B**.

Stem and Canopy Sets: Suspends fixture 6", 12" 18" or 24" from surface. (Four per fixture is recommended. Catalog Number: **ASC6 CSP** (6"), **ASC12 CSP** (12"), **ASC18 CSP** (18"), **ASC24 CSP** (24").

Specifications

Performance: In an installation of 2 lamp 32W luminaires in a room cavity ratio of 1, with a reflectance of 80% ceiling, 50% wall, 20% floor, the C.U. shall not be less than .68. To prevent glare the average brightness at 65° shall not exceed 2022 candelas per square meter. To control veiling reflections, luminaire output in the 30-90° zone shall be not less than 67.5%.

Materials: Chassis parts are die-formed 20 gauge cold rolled steel.

Finish: White baked polyester powder coat.

Electrical: Thermally protected class "P" ballast C.B.M. approved, non PCB. If K.O. is within 3" of ballast, use wire suitable for at least 90°.

Labels: I.B.E.W./UL and C-UL.

Job Information

Type:

Lightolier a Genlyte Thomas Company www.lightolier.com
Technical Information: (978) 657-7600 • Fax (978) 658-0595
631 Airport Road, Fall River, MA 02720 • (508) 679-8131 • Fax (508) 674-4710
We reserve the right to change details of design, materials and finish.
Copyright 2002 Lightolier **Section 3A/Folio H70-11**

LIGHTOLIER