

### Specifications

1. Modified Lightolier Lytespan basic track finished white. Pre-wired and mounted to die-formed 20 gauge steel adapter and finished to match channel.
2. Lengths include 2-foot, 4-foot and 8-foot individual sections and 8-foot joiner sections for mounting in continuous runs.
3. The Lightolier Lytespan single circuit track must be adapted at the factory to accommodate the Multi-Lyte channel.
4. The Multi-Lyte track can be cut on the job site.

### Ordering Information

- MT6000WH** 2-foot Individual white
- MT6001WH** 4-foot Individual white
- MT6002WH** 8-foot Individual white
- MT6003WH** 8-foot Joiner white

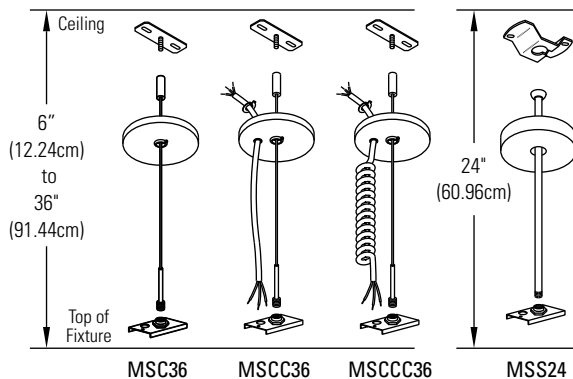
### Labels

UL, cUL and IBEW.

### Warranty

Complete system is covered by Lightolier three-year limited warranty. For a copy, ask your representative. Other electronic ballast is covered by ballast manufacturer's limited warranty.

### Suspension Mounting Detail



### Job Information

### Type:

**Job Name:**

**Cat. No.:**

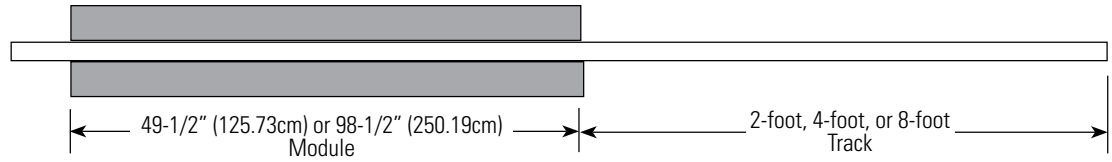
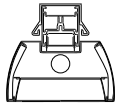
**Lamp(s):**

**Notes:**

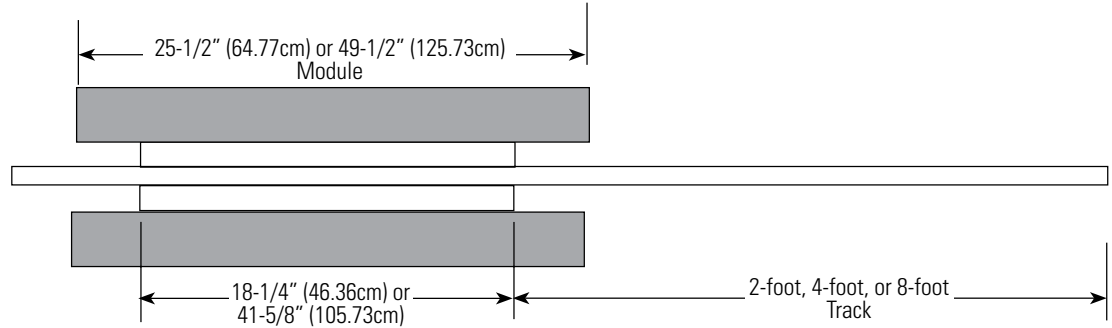
631 Airport Road, Fall River, MA 02720 • (508) 679-8131 • Fax (508) 674-4710  
 We reserve the right to change details of design, materials and finish.  
[www.lightolier.com](http://www.lightolier.com) © 2008 Philips Group • C1008

## Track Mounting Detail

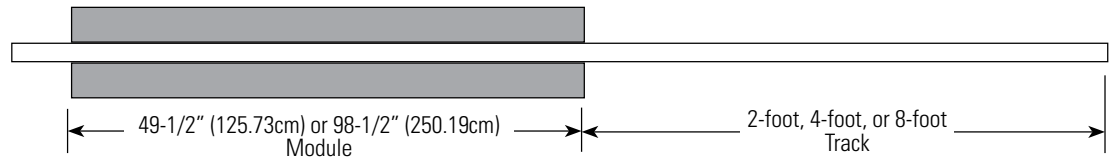
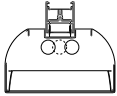
**MMA**



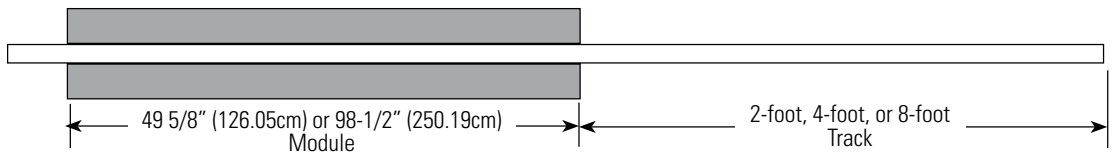
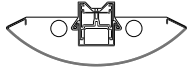
**MMB**



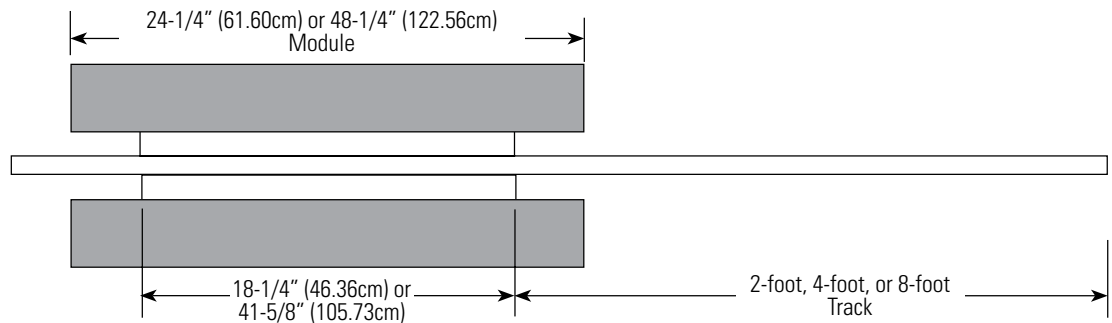
**MMC**



**MMD**



**MME**



**Job Information**

**Type:**

631 Airport Road, Fall River, MA 02720 • (508) 679-8131 • Fax (508) 674-4710  
 We reserve the right to change details of design, materials and finish.  
[www.lightolier.com](http://www.lightolier.com) © 2008 Philips Group • C1008