

Ordering Information

Catalog No.	Finishes	Track Mountings	Lamps
6289 WH	Matte White	All Lytespan	AR111, 75W Max.
6289 BK	Matte Black	Track Systems	50W Max. with Accessories
6289 AL	Metallic Aluminum		

Features

- Ring:** Die-cast aluminum with cool grip insulation band, a high temperature silicone rubber which allows aiming adjustments while fixture is on.
- Socket Boot:** Electrical spade connectors with individual insulating rubber silicone covers; 18 ga. stranded Teflon leads with fiberglass outer sleeve.
- Transformer:** Electronic low voltage transformer with integral radio frequency interference filter and anti-crossover circuit for increased reliability; housed in extruded aluminum.
- Track Attachment Fitting:** Molded polycarbonate, rotates into track and locks on with push tab; integral polarity key guard.
- Push Tab:** Locks and detaches unit from track.
- Brass Contacts:** Extends for connection to second circuit in Advent® Lytespan track.
- Tension Pivot Mounts:** Die-cast aluminum. Allows for 180° horizontal rotation and 180° vertical rotation.
- Lamp Guard:** Molded pressed glass.
- Spring:** Steel springs hold lamp in place.
- Housing:** Aluminum, fully encloses lamp back and terminals. Vents dissipate lamp heat.

Options & Accessories

- Accessory Holder 7660**
- 3-1/2" Dia. Series** Lenses and Louver

Electrical/Dimming

Dimming controls: Use only dimmers specifically designed for use with electronic transformers, like Lightolier Sunrise™ and Neptune Momentum QE™ series. Low voltage fixtures may produce audible sound when used with dimmers, which may be objectionable in acoustically critical areas.

Labels

UL, Patent Pending

Job Information	Type:
Job Name:	
Cat. No.:	
Lamp(s):	
Notes:	

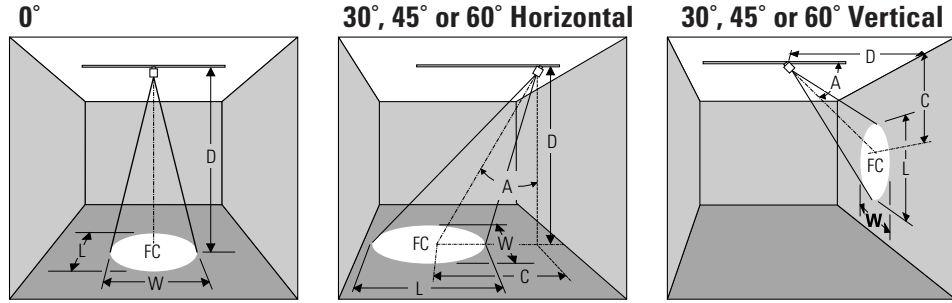
631 Airport Road, Fall River, MA 02720 • (508) 679-8131 • Fax (508) 674-4710
 We reserve the right to change details of design, materials and finish.
 www.lightolier.com © 2008 Philips Group • B0508

Lighting Data

Aiming Angle

- L** Beam Length
- W** Beam Width
- C** Distance to center beam
- D** Distance
- A** Aiming Angle
- FC** Footcandles

L and **W** are the outer points where the candle power drops to 50% of the maximum. **FC** are the initial foot-candles at the center of the beam.



LAMP

Beam Spread	Beam Center	Rated
50% Max CP	C.P. Candelas	Life-Hrs
	45000	2000
35W AR111 SSP (T-H)		
	15000	2000
35W AR111 SP (T-H)		
	2000	2000
35W AR111 FL (T-H)		
	50000	2000
50W AR111 NSP (T-H)		
	20000	2000
50W AR111 SP (T-H)		
	3000	2000
50W AR111 FL (T-H)		
	25000	2000
75W AR111 SP (T-H)		
	4500	2000
75W AR111 FL (T-H)		
	1300	2000
75W AR111 WFL (T-H)		

0° AIMING ANGLE

A=30° AIMING ANGLE

A=45° AIMING ANGLE

A=60° AIMING ANGLE

0° AIMING ANGLE					A=30° AIMING ANGLE					A=45° AIMING ANGLE					A=60° AIMING ANGLE				
D	FC	L	W		D	C	FC	L	W	D	C	FC	L	W	D	C	FC	L	W
15'	200	0.8'	0.8'		10'	5.8'	292	0.7'	0.6'	8'	8.0'	249	0.8'	0.6'	5'	8.7'	225	1.0'	0.5'
20'	113	1.0'	1.0'		15'	8.7'	130	1.0'	0.9'	12'	12.0'	110	1.3'	0.9'	8'	13.9'	88	1.7'	0.8'
25'	72	1.3'	1.3'		20'	11.5'	73	1.4'	1.2'	16'	16.0'	62	1.7'	1.2'	11'	19.1'	46	2.3'	1.2'
30'	50	1.6'	1.6'		25'	14.4'	47	1.7'	1.5'	20'	20.0'	40	2.1'	1.5'	14'	24.2'	29	2.9'	1.5'
8'	234	1.4'	1.4'		7'	4.0'	199	1.6'	1.4'	5'	5.0'	212	1.8'	1.2'	3'	5.2'	208	2.1'	1.0'
12'	104	2.1'	2.1'		10'	5.8'	97	2.3'	2.0'	7'	7.0'	108	2.5'	1.7'	4'	6.9'	117	2.9'	1.4'
16'	59	2.8'	2.8'		13'	7.5'	58	3.0'	2.6'	9'	9.0'	65	3.2'	2.2'	5'	8.7'	75	3.6'	1.7'
20'	38	3.5'	3.5'		16'	9.2'	38	3.7'	3.2'	11'	11.0'	44	3.9'	2.7'	6'	10.4'	52	4.3'	2.1'
4'	125	2.1'	2.1'		3'	1.7'	144	2.2'	1.9'	3'	3.0'	79	3.5'	2.3'	1'	1.7'	250	2.7'	1.1'
6'	56	3.2'	3.2'		5'	2.9'	52	3.7'	3.1'	4'	4.0'	44	4.6'	3.0'	2'	3.5'	63	5.5'	2.1'
8'	31	4.3'	4.3'		7'	4.0'	27	5.1'	4.3'	5'	5.0'	28	5.8'	3.8'	3'	5.2'	28	8.2'	3.2'
10'	20	5.4'	5.4'		9'	5.2'	16	6.6'	5.6'	6'	6.0'	20	6.9'	4.5'	4'	6.9'	16	10.9'	4.3'
15'	222	1.3'	1.3'		10'	5.8'	325	1.2'	1.0'	8'	8.0'	276	1.4'	1.0'	5'	8.7'	250	1.8'	0.9'
20'	125	1.7'	1.7'		15'	8.7'	144	1.7'	1.5'	12'	12.0'	123	2.1'	1.5'	8'	13.9'	98	2.8'	1.4'
25'	80	2.2'	2.2'		20'	11.5'	81	2.3'	2.0'	16'	16.0'	69	2.8'	2.0'	11'	19.1'	52	3.9'	1.9'
30'	56	2.6'	2.6'		25'	14.4'	52	2.9'	2.5'	20'	20.0'	44	3.5'	2.5'	14'	24.2'	32	4.9'	2.4'
10'	200	1.7'	1.7'		8'	4.6'	203	1.9'	1.6'	6'	6.0'	196	2.1'	1.5'	4'	6.9'	156	2.9'	1.4'
15'	89	2.6'	2.6'		12'	6.9'	90	2.8'	2.4'	9'	9.0'	87	3.2'	2.2'	6'	10.4'	69	4.3'	2.1'
20'	50	3.5'	3.5'		16'	9.2'	51	3.7'	3.2'	12'	13.0'	49	4.2'	3.0'	8'	13.9'	39	5.7'	2.8'
25'	32	4.4'	4.4'		20'	11.5'	32	4.7'	4.0'	15'	15.0'	31	5.3'	3.7'	10'	17.3'	25	7.2'	3.5'
6'	83	3.2'	3.2'		5'	2.9'	78	3.7'	3.1'	3'	3.0'	118	3.5'	2.3'	2'	3.5'	94	5.5'	2.1'
8'	47	4.3'	4.3'		7'	4.0'	40	5.1'	4.3'	4'	4.0'	42	5.8'	3.8'	3'	5.2'	42	8.2'	3.2'
10'	30	5.4'	5.4'		9'	5.2'	24	6.6'	5.6'	5'	5.0'	22	8.1'	5.3'	4'	6.9'	23	10.9'	4.3'
12'	21	6.4'	6.4'		11'	6.4'	16	8.1'	6.8'	6'	6.0'	13	10.4'	6.8'	5'	8.7'	15	13.7'	5.4'
10'	250	1.7'	1.7'		8'	4.6'	254	1.9'	1.6'	6'	6.0'	246	2.1'	1.5'	4'	6.9'	195	2.9'	1.4'
15'	111	2.6'	2.6'		12'	6.9'	113	2.8'	2.4'	9'	9.0'	109	3.2'	2.2'	6'	10.4'	87	4.3'	2.1'
20'	63	3.5'	3.5'		16'	9.2'	63	3.7'	3.2'	12'	13.0'	61	4.2'	3.0'	8'	13.9'	49	5.7'	2.8'
25'	40	4.4'	4.4'		20'	11.5'	41	4.7'	4.0'	15'	15.0'	39	5.3'	3.7'	10'	17.3'	31	7.2'	3.5'
6'	125	3.2'	3.2'		5'	2.9'	117	3.7'	3.1'	3'	3.0'	177	3.5'	2.3'	2'	3.5'	141	5.5'	2.1'
8'	70	4.3'	4.3'		7'	4.0'	60	5.1'	4.3'	4'	4.0'	64	5.8'	3.8'	3'	5.2'	63	8.2'	3.2'
10'	45	5.4'	5.4'		9'	5.2'	36	6.6'	5.6'	5'	5.0'	32	8.1'	5.3'	4'	6.9'	35	10.9'	4.3'
12'	31	6.4'	6.4'		11'	6.4'	24	8.1'	6.8'	6'	6.0'	20	10.4'	6.8'	5'	8.7'	23	13.7'	5.4'
3'	144	3.5'	3.5'		3'	1.7'	94	5.2'	4.0'	2'	2.0'	115	6.9'	3.3'	1'	1.7'	163	†	2.3'
5'	52	5.8'	5.8'		5'	2.9'	34	8.7'	6.7'	3'	3.0'	51	10.4'	4.9'	2'	3.5'	41	†	4.6'
7'	27	8.1'	8.1'		7'	4.0'	17	12.1'	9.3'	4'	4.0'	29	13.9'	6.5'	3'	5.2'	18	†	6.9'
9'	16	10.4'	10.4'		9'	5.2'	10	15.6'	12.0'	5'	5.0'	18	17.3'	8.2'	4'	6.9'	10	†	9.2'

(† Exceeds usable limits.)

Job Information Type:

631 Airport Road, Fall River, MA 02720 • (508) 679-8131 • Fax (508) 674-4710
 We reserve the right to change details of design, materials and finish.
 www.lightolier.com © 2008 Philips Group • B0508