

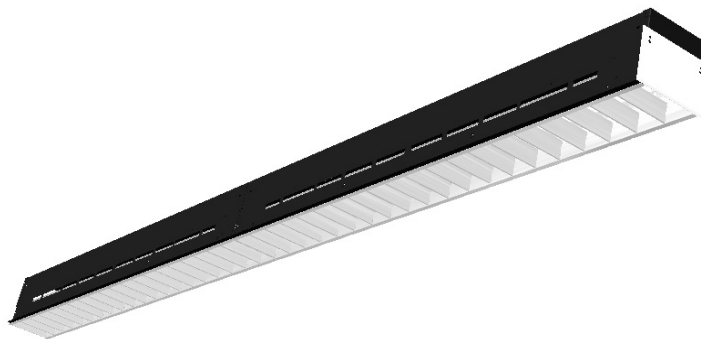
Lytecel Recessed Fluorescent **LCS6G20LW232**

Page 1 of 2

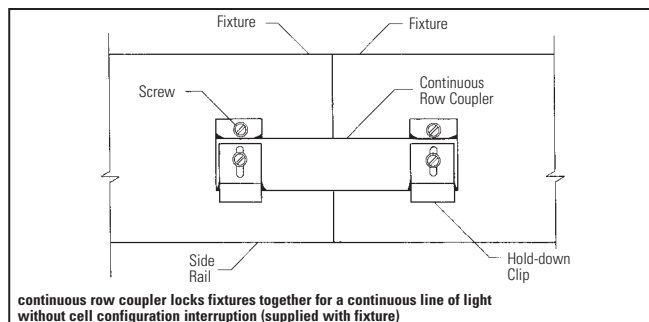
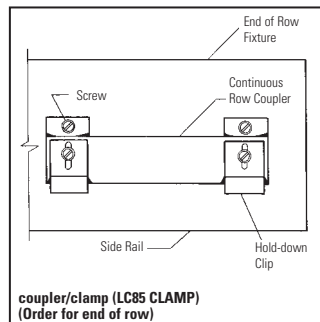
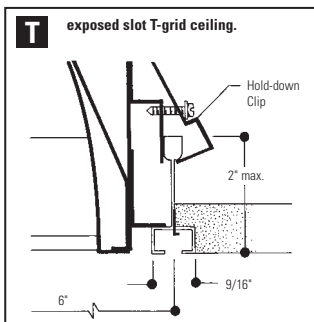
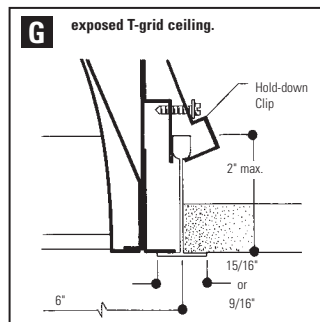
For Continuous Row Mounting, 6" wide x 48", 20 Cell (1 Row) Parabolic Louver, Air Return/Static, 2 Lamp T8, IES RP1 For VDT Areas

Features

- 48" long louver gives an uninterrupted louver appearance when row mounted. Ideal for continuous row applications.
- 48.6% efficient (2 lamp) semi-specular louver.
- 51.6% efficient (2 lamp) specular louver.
- 1.3 spacing mounting ratio.
- Semi-specular or specular, low iridescence, pre-anodized aluminum louver.
- Vertical grain on cross blades eliminates reflected lamp image.
- Spring loaded latches (self centering).
- Louver has protective dust guard.
- Only 5-1/2" deep body.
- Black housing exterior for cooler ballast operating temperature.
- UL-Listed twin knockout access plate.
- Meets NYC Code requirements.
- Construction to meet Chicago Plenum Code is available.
- Optional DALI ballast accepts digital dimming commands from computers, scene controllers and automatic control devices.



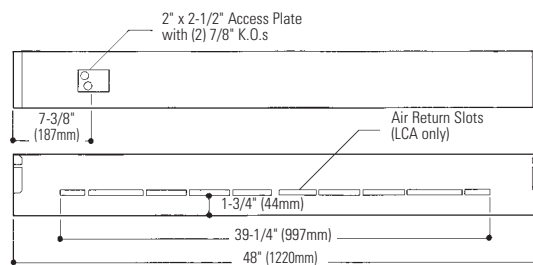
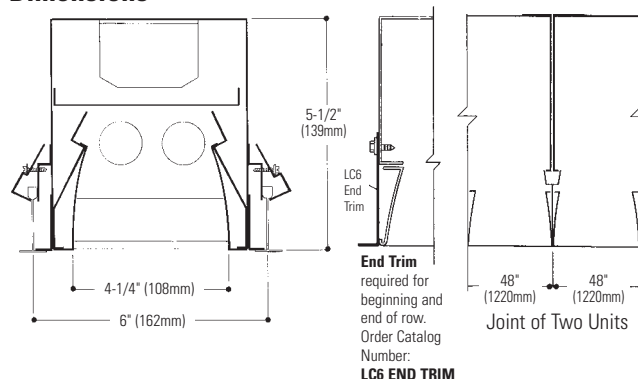
Mounting Methods



NOTE:

If product is to be mounted individually, use LI series, Folio G07-36.

Dimensions



Job Information

Type:

Job Name:

Cat. No.:

Lamp(s):

Volts/Ballast:

Lightolier a Genlyte company

www.lightolier.com

Technical Information: (978) 657-7600 • Fax (978) 658-0595

631 Airport Road, Fall River, MA 02720 • (508) 679-8131 • Fax (508) 674-4710

We reserve the right to change details of design, materials and finish.

© 2007 a Genlyte company

Section 2/Folio G07-42



Lytecel Recessed Fluorescent LCS6G20LW232

Page 2 of 2

For Continuous Row Mounting, 6" wide x 48", 20 Cell (1 Row) Parabolic Louver, Air Return/Static, 2 Lamp T8, IES RP1 For VDT AreaS

Model No. LCS6G20LW232120S0

LER = FP - 38.6 IW - 78.0 BF - 1.1
 Comparative yearly lighting energy cost per
 1000 lumens = \$6.22
 Report Number: G1206011
 Catalog Number: LCS6G20LW232120S0
 Lamp: F32 T8
 Luminaire: 6" wide Troffer with semi-specular louver and white reflector.
 Ballast: Advance REL-2P32-SC
 Report is based on 2850 Lumens per lamp.
 Efficiency: 48.6%
 CIE Type-Direct-Indirect
 Plane: 0-Deg 90-Deg
 Spacing Criteria: 1.3 1.3
 Shielding Angles: 90 90
 Plane: 0-Deg 90-Deg
 Luminous Length: 47.943 5.816

CANDELA DISTRIBUTION

	0.0	45.0	90.0	FLUX
0	1234	1234	1234	
5	1252	1300	1306	122
15	1207	1280	1287	356
25	1100	1182	1215	542
35	962	1020	1058	643
45	799	835	926	650
55	478	457	393	392
65	34	58	39	53
75	4	6	10	7
85	1	2	3	2
90	1	1	1	

COEFFICIENTS OF UTILIZATION – ZONAL CAVITY METHOD. EFFECTIVE FLOOR CAVITY REFLECTANCE 0.20

RC	80	50	30	10	50	30	10
1	54	53	51	49	48	47	46
2	50	47	45	45	43	41	40
3	47	43	39	41	38	36	37
4	43	38	35	37	34	32	33
5	40	35	31	33	30	28	30
6	37	32	28	30	27	25	27
7	35	29	25	28	25	22	24
8	32	26	23	25	22	20	22
9	30	24	21	24	20	18	20
10	28	22	19	22	19	16	18

TYPICAL V.C.P.'s

Room Size	Mounting Height						
	Luminaires		Luminaires		Luminaires		
	0 Deg Plane		90 Deg Plane		0 Deg Plane		
	8.5	10	8.5	10	8.5	10	
30x30	90	85	77	70	88	83	76
40x40	90	85	82	76	90	85	82
60x30	90	85	80	75	88	83	79
60x60	91	86	82	79	91	87	84
100x100	91	87	82	78	92	90	87

Model No. LCS6G20PW232120S0

LER = FP - 40.9 IW - 78.0 BF - 1.1
 Comparative yearly lighting energy cost per
 1000 lumens = \$5.87
 Report Number: G1206012
 Catalog Number: LCS6G20PW232120S0
 Lamps: F32 T8
 Luminaire: 6" wide Troffer with specular louver and white reflector.
 Ballast: Advance REL-2P32-SC
 Report is based on 2850 Lumens per lamp.
 Efficiency: 51.6%
 CIE Type-Direct-Indirect
 Plane: 0-Deg 90-Deg
 Spacing Criteria: 1.2 1.3
 Shielding Angles: 90 90
 Plane: 0-Deg 90-Deg
 Luminous Length: 47.943 5.816

CANDELA DISTRIBUTION

	0.0	45.0	90.0	FLUX
0	1373	1373	1373	
5	1287	1314	1304	125
15	1244	1345	1368	370
25	1149	1246	1264	566
35	1018	1079	1088	681
45	849	926	1005	711
55	579	520	440	441
65	1	52	32	39
75	1	4	9	6
85	1	2	3	3
90	1	1	2	

COEFFICIENTS OF UTILIZATION – ZONAL CAVITY METHOD. EFFECTIVE FLOOR CAVITY REFLECTANCE 0.20

RC	80	50	30	10	50	30	10
1	58	56	54	53	51	50	49
2	54	50	48	48	46	44	43
3	50	45	42	43	40	38	37
4	46	41	37	39	36	33	33
5	43	37	33	35	32	29	31
6	40	33	29	32	29	26	28
7	37	30	26	29	26	23	25
8	34	28	24	27	23	21	23
9	32	26	22	25	21	19	21
10	30	24	20	23	20	17	19

TYPICAL V.C.P.'s

Room Size	Mounting Height						
	Luminaires		Luminaires		Luminaires		
	0 Deg Plane		90 Deg Plane		0 Deg Plane		
	8.5	10	8.5	10	8.5	10	
30x30	85	76	70	69	88	80	76
40x40	85	76	72	72	90	84	81
60x30	85	76	72	74	89	80	77
60x60	85	78	73	74	91	86	83
100x100	86	78	73	74	92	88	86

LUMINANCE DATA IN CANDELA/SQ. METER

AVERAGE IN DEG.	AVERAGE 0-DEG.	AVERAGE 45-DEG.	AVERAGE 90-DEG.
45	6279.	6562.	7277.
55	4631.	4427.	3807.
65	316.	763.	513.
75	86.	129.	215.
85	64.	128.	191.

ZONAL LUMEN SUMMARY

ZONE	LUMENS	% LAMP	% FIXT
0-30	1021	17.9	36.9
0-40	1664	29.2	60.1
0-60	2707	47.5	97.7
0-90	2769	48.6	100.0
90-180	0	0.0	0.0
0-180	2769	48.6	100.0

LUMINANCE DATA IN CANDELA/SQ. METER

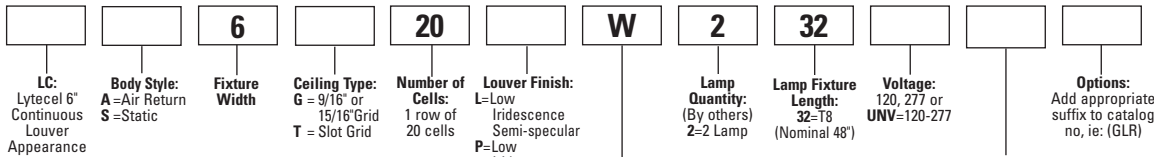
AVERAGE IN DEG.	AVERAGE 0-DEG.	AVERAGE 45-DEG.	AVERAGE 90-DEG.
45	6672.	7277.	7898.
55	5609.	5038.	4263.
65	13.	684.	421.
75	21.	86.	193.
85	64.	128.	191.

ZONAL LUMEN SUMMARY

ZONE	LUMENS	% LAMP	% FIXT
0-30	1061	18.6	36.1
0-40	1742	30.6	59.2
0-60	2895	50.8	98.4
0-90	2942	51.6	100.0
90-180	0	0.0	0.0
0-180	2942	51.6	100.0

Ordering Information

Explanation of Catalog Number. Example: LCS6G20LW232120S0



- LC** Standard Lytecel
- LN** For NYC Code – Local 3 Manufactured

Options/Accessories

- Access Plate:** Top Wiring access plate is shipped with fixture as standard. When access plates are required in advance for wiring convenience, specify separately. Order Catalog Number: **ACP5 CSP**.
- Coupler/Clamp:** (Set of 2) Required for beginning of rows. Order Catalog Number: **LC85 CLAMP** (for G or T type)
- End Trim:** Required at beginning and end of rows. For every row order (2). Order Catalog Number: **LC6 END TRIM**.
- Electrical/Wiring Options:** Consult factory.
- EM Pack or Dimming Ballast:** Consult factory.
- Fusing:** Internal fast-blow fusing. Suffix: **GLR**. Internal slow-blow fusing. Suffix: **GMF**.
- Chicago Plenum:** Suffix: **CP**.

Specifications

Performance: In an installation of 2 lamp 32W semi-specular luminaires in a room cavity ratio of 1, reflectance 80% ceiling, 50% wall, 20% floor, the C.U. shall not be less than .53 with a spacing to mounting ratio of 1.3 perpendicular to the lamps. To meet IES RP-1 for VDT areas the VCP (visual comfort probability) shall not be less than 91 either crosswise or lengthwise and the candela value between 55° and 90° in the 0° to 90° planes shall not exceed 4631. Candelas at Nadir (0°) not to exceed 1234.

- Reflector:** W=White
- Lamp Quantity:** (By others) 2=2 Lamp
- Lamp Fixture Length:** 32-T8 (Nominal 48")
- Voltage:** 120, 277 or UNV=120-277
- Ballast Type:** <20THD SO* <10THD HI*
- 2 Lamp Elec. T8
- *Instant Start Standard
- Other dimming options, consult factory.
- NOTE:** For T8 UNV, you must use HI Ballast Code.
- DA=DALI digital addressable dimming.

Specifications (continued)

- Air Handling**—(LCA only) Side air passages for air return.
- Materials:** Chassis parts are die-formed cold rolled steel.
- Louver:** Pre-anodized aluminum (Coilzak® or equal).
- Finish:** Louver—specular or semi-specular low iridescence pre-anodized reflector sheet. Reflector: White baked polyester enamel. Chassis exterior—black baked polyester enamel.
- Electrical:** Thermally protected class "P" ballast C.B.M. approved, non PCB. If K.O. is within 3" of ballast, use wire suitable for at least 90°.
- Labels:** I.B.E.W./UL and ULc Listed.
- This product may have a mercury containing lamp. Manage in accord with Disposal Laws. See: www.lamprecycle.org

Job Information Type:

Lightolier a Genlyte company www.lightolier.com
 Technical Information: (978) 657-7600 • Fax (978) 658-0595
 631 Airport Road, Fall River, MA 02720 • (508) 679-8131 • Fax (508) 674-4710
 We reserve the right to change details of design, materials and finish.
 © 2007 a Genlyte company Section 2/Folio G07-42

LIGHTOLIER®