

READ AND UNDERSTAND THESE INSTRUCTIONS BEFORE INSTALLING FIXTURE.

This fixture is intended for installation in accordance with the National Electrical Code and local or Federal code specifications. To assure full compliance with codes and regulations, check with your local electrical inspector before installation. To prevent electrical shock, turn off electricity at fuse box before proceeding.

Retain these instructions for maintenance reference.

INSTRUCTION SHEET NO.

IST600

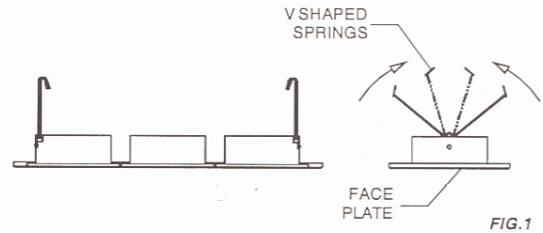
Page 1 of 1

WARNING – (RISK OF FIRE) Do not install insulation within 3 inches of fixture sides or wiring compartments, nor above fixture in such a manner as to entrap heat.

**INSTALLATION INSTRUCTION FOR A FACE PLATE
IN A RECESSED LINEAR MOUNTING FRAME**

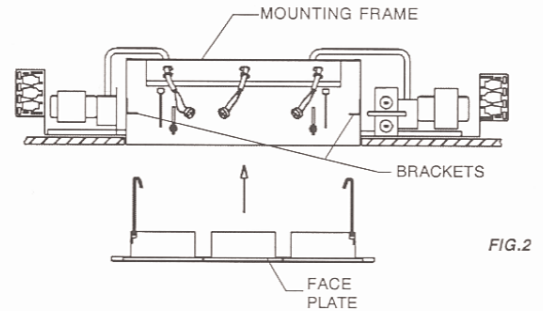
A. FACE PLATE INSTALLATION:

1. Close the 2 "V" shaped springs. (Fig.1)
2. Insert the "V" shaped springs in the brackets located inside the mounting frame. (Fig.2)
3. Push the face plate until it reaches the ceiling.



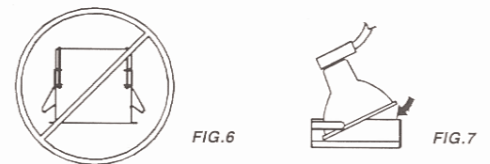
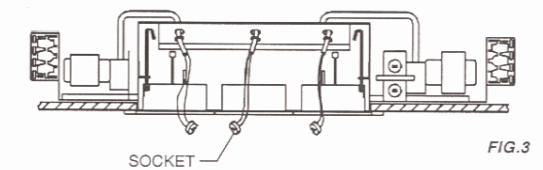
B. LAMP:

1. Pass each socket of the mounting frame through the openings in the face plate. (Fig.3)
2. Install the lamp shield onto the lamp whenever it is supplied with the mounting frame (4 square model only). (Fig.4)
3. Insert the pins of the lamp into the socket. (Fig.5)
Note: The lamp shield must always be placed on the lamp whenever it is supplied with the mounting frame. (Fig.5)



C. TRIM:

1. The housing fitted with springs provided with the trim is not required for the assembly. (Fig.6)
2. Insert the ring between the trim and the face plate opening. (except for model 478). (Fig.8)
3. Slide the lamp under the trim spring. (Fig.7)
4. Push the trim into the face plate opening. (Fig.8)



U.S. PATENT NO. 4,039,822
OTHER U.S. AND FOREIGN PATENTS PENDING.