

READ AND UNDERSTAND ALL TRACK, CONNECTOR, FEED-IN-KITS, AND ACCESSORY INSTRUCTION SHEETS BEFORE INSTALLING ANY TRACK ITEM.

This fixture is intended for installation in accordance with the National Electrical Code and local or Federal code specifications. To assure full compliance with codes and regulations, check with your local electrical inspector before installation. To prevent electric shock, turn off electricity at fuse box before proceeding.

Retain these instructions for maintenance reference.

INSTRUCTION SHEET NO.

IS:7586

B1197

Page 1 of 2

**Installation Instructions for Stem Mounting Kit
for use with Lytespan and ProSpec™ Track Systems Only.**

Caution:

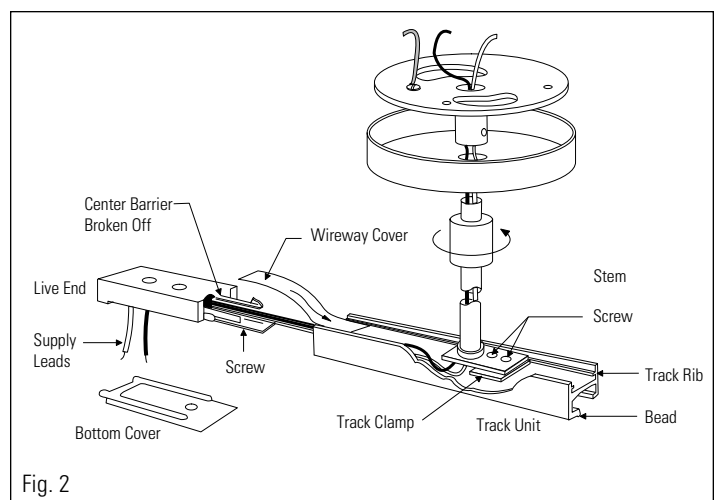
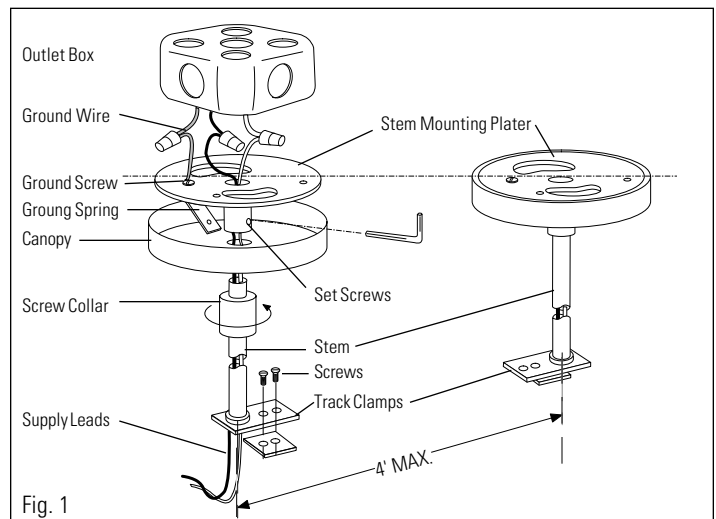
- Turn off power at fuse box before installing track.
- Instructions for grounding must be followed. Failure to do so may result in a hazardous condition.
- Use only #12 ga. solid copper wire in connectors to maintain proper track rating.
- Do not supply Advent Track from two separate 120V branch circuits as this could overload the neutral track conductor leading to an electrical safety hazard.
- Observe polarity, white (neutral) wire must be connected to terminal marked "NEUT". Failure to observe Polarity may result in an electrical hazard.

Stem mounting kits (18" or 48" long) may be attached to the track at any point and may be spaced up to 4' apart. They may be used to feed power into the track. The unthreaded end of a stem may be field cut using a hacksaw or a similar cutting device. The Stem Extension Kits (48") is used to lengthen a stem 48". The Stem Extension Kit cannot be field cut.

Instructions show the Stem Mounting Kit being installed on Basic Track, providing power feed to a Live End. The same instructions apply to power feed to an Advent Live End, Basic, Advent, ProSpec In-Line, "L", "T", "X" or Variable Angle connector and ProSpec Feed Track. For Basic "X" and "T" connectors, the neutral terminal is the lower terminal which lines up with the bead in the track, see Instruction Sheet IS:6165.

A. MOUNTING STEMS TO CEILING

1. Power feed Stem must be stem adjacent to feeds in point of track. (Wires cannot pass beneath two stems).
2. Splice Supply Leads, #12 AWG solid TW wire (not included), to branch circuit leads in Outlet Box: white to white, black to black (red to red in Advent). Supply Leads must be long enough to run horizontally along the track to the track feed-in point. Pass Supply Leads through Stem Mounting Plate and connect #12 AWG Ground Wire to Ground Screw on the Stem Mounting Plate.
3. Fasten Stem Mounting Plate to Outlet Box. Mount other Stem Mounting Plate(s) to ceiling in a straight line. Space not more than 4' apart. See Fig. 1.
4. Assemble Track Clamps as shown in Fig. 1. Screw Track Clamps onto Stems and slip Screw Collars and Canopies onto Stems.
5. Pass Supply Leads through Stem used for power feed, insert Stems into Stem Mounting Plates and tighten Set Screws. Thread Screw Collars onto Stem Mounting Plates. See (Fig. 1 and 2).



LIGHTOLIER®

FALL RIVER, MASSACHUSETTS 02720
MONTREAL, QUEBEC, CANADA

© 1997

**Installation Instructions for Stem Mounting Kit
for use with Lytespan and ProSpec™ Track Systems Only.**

B. MOUNTING TRACK ONTO STEMS

1. Loosen Screws on Track Clamps. In the stem used for power feed, the Track Clamps must be positioned as shown in Fig. 2. Place Track Ribs (Fig. 4) between Track Clamps and side track into position. Make sure Bead (Basic and Advent only) (Fig. 4) of Track Units are in line with one another.
2. Run Supply Leads along top of track toward Live End. Loosen screw in Live End and remove from track.
3. Cut Wireway Cover to distance from Track Clamp to end of Track Unit. Slide Wireway Cover into track over Supply Leads (Fig. 2 and 4).
For ProSpec Feed track, place wire cover into track before attaching the stems to the track unit.
4. Remove Bottom Cover from Live End.
5. Break off Barrier in Live End by bending it back and forth (Fig. 3).
6. Pass Supply Leads through barrier opening in Live End. Insert Live End into Track Unit and tighten Screws (Fig. 2 and 3).
7. Connect Supply Leads to screw terminals as shown in Instruction Sheet IS:6020, IS:6121, for Advent, or IS:26000, IS:26046, IS:26050 for ProSpec. Ground terminal in Live End is not used when feeding power from a Stem.
8. Fasten Bottom Cover to Live End. Tighten Screws on all Track Clamps.

C. Instructions for Stem Extension Kit

1. Screw Coupling to threaded end of Stem (18" or 48" long) supplied with Stem Mounting Kit (fig. 5).
2. Screw Stem supplied with Stem Extension Kit to Coupling (Fig. 5).
3. Complete installation of Stem Mounted Lytespan Track following steps in section A and B.

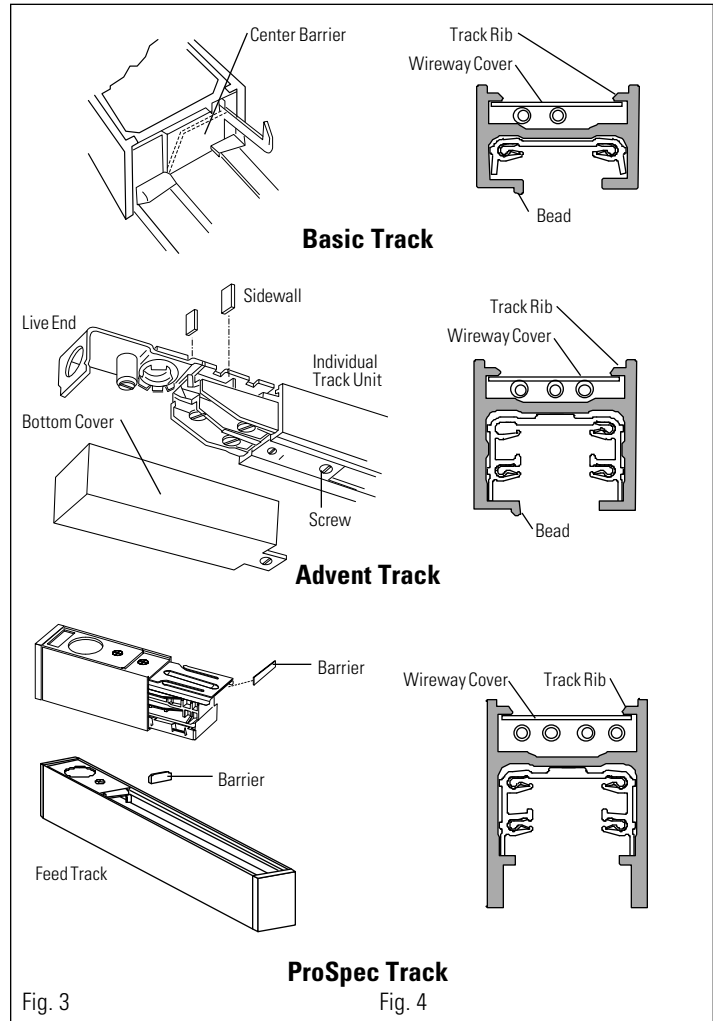


Fig. 3

Fig. 4

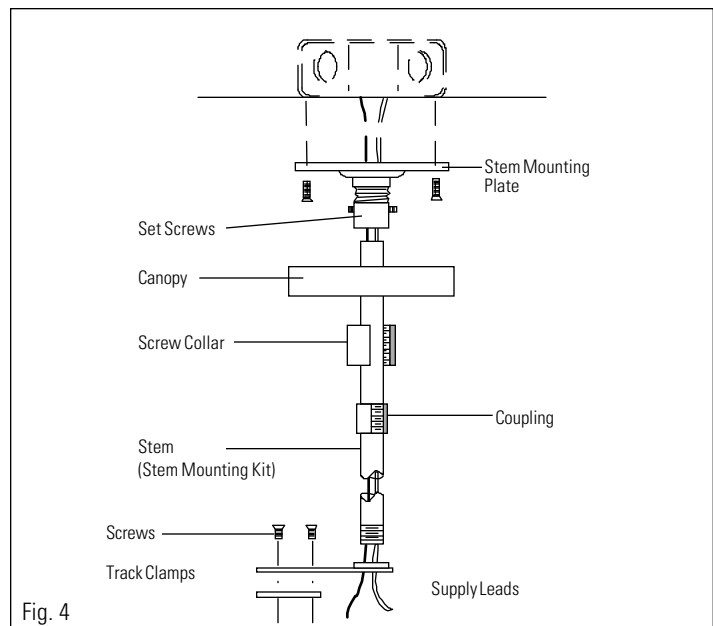


Fig. 4