

READ AND UNDERSTAND THESE INSTRUCTIONS BEFORE INSTALLING FIXTURE

This fixture is intended for installation in accordance with the National Electrical Code and local regulations. To assure full compliance with local codes and regulations, check with your local electrical inspector before installation. To prevent electric shock, turn off electricity at fuse box before proceeding.

Retain these instructions for maintenance reference.

INSTRUCTION SHEET NO.

IS:4X4

B0502

Page 1 of 2

INSTALLATION PROCEDURE FOR: 4X4, 4X9, AND 9X9 MATRIX SERIES RECESSED DOWNLIGHTS.

CAUTION: (RISK OF FIRE) DO NOT INSTALL INSULATION ABOVE NOR WITHIN 3 INCHES (76mm) OF ANY PART OF THE LUMINAIRE (FIXTURE)

CAUTION: USE ONLY REFLECTOR TRIMS PROVIDED BY LIGHTOLIER. USE OF OTHER MANUFACTURERS' REFLECTOR TRIMS MAY VOID THE UNDERWRITERS LABORATORIES LISTING AND COULD CONSTITUTE A FIRE HAZARD.

A. FRAME-IN AND WIRE-IN

Install FRAME-IN KIT (FIK) using ADJUSTABLE MOUNTING BRACKETS (Fig.'s 1-3). Fixture must be secured to structural ceiling members. Connect to supply leads; white fixture lead to neutral (white) supply lead, black fixture lead to hot supply lead, bare copper and/or green insulated wire(s) must be connected to supply ground. Use wirenuts (local hardware items). Place all electrical connections in the J-BOX and close cover.

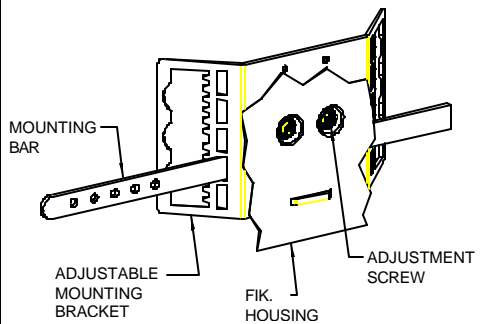


FIG. 1

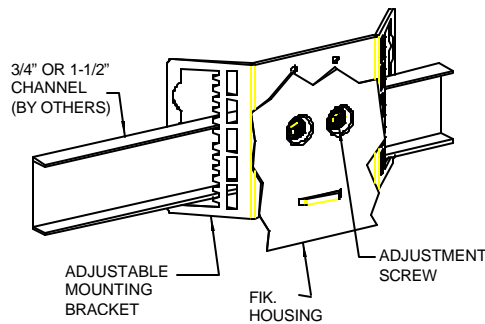


FIG. 2

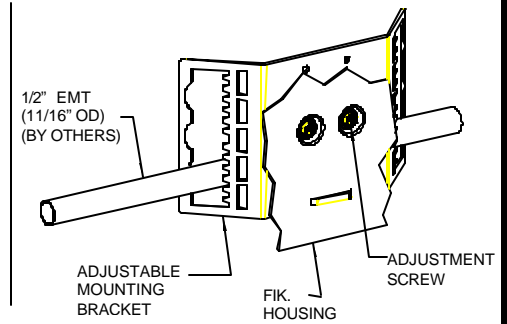


FIG. 3

For suspended T-bar ceilings: T-bar ANCHOR CLIPS accessory No. 1956 (order separately) may be used with 18" or 27" MOUNTING BARS (Fig. 4), or simply wire MOUNTING BARS, EMT TUBING, or CHANNELS to ceiling members (Fig. 5). FIK must be securely attached to and unable to lift from ceiling members after installation is complete.

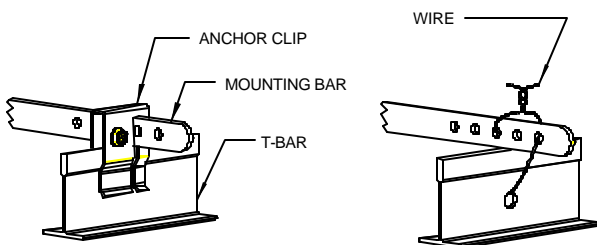


FIG. 4

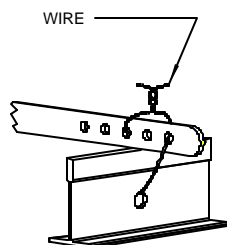


FIG. 5

For wood joist construction: Mounting bars may be used to secure FIK. to joists (Fig. 6). MOUNTING BARS may be bent where required to allow precise placement of FIK between joists. Use nails to secure to joists.

MOUNTING BAR ordering information:
18" long: Cat. No. 1950
27" long: Cat. No. 1951

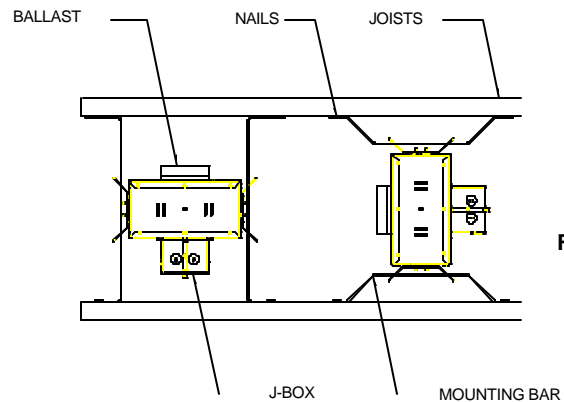


FIG. 6

Note: If FIK is to be used with a WALL-WASH LOUVER TRIM (Fig. 7), FIK must be installed with either J-BOX side or BALLAST side parallel to wall to be washed.



FIG. 7

LIGHTOLIER®

LIGHTOLIER A GENIYTE THOMAS COMPANY
631 Airport Road, Fall River, MA 02720

READ AND UNDERSTAND THESE INSTRUCTIONS BEFORE INSTALLING FIXTURE

This fixture is intended for installation in accordance with the National Electrical Code and local regulations. To assure full compliance with local codes and regulations, check with your local electrical inspector before installation. To prevent electric shock, turn off electricity at fuse box before proceeding.

Retain these instructions for maintenance reference.

INSTRUCTION SHEET NO.

IS:4X4

B0502

Page 2 of 2

B. ADJUST FIK

Set FIK so that bottom edge is flush to, or recessed 1/8" above finished ceiling (Fig. 8).

Final vertical adjustment may be made by means of ADJUSTMENT SCREWS on inside of FIK.

C. CLOSE-IN

Close-in and finish ceiling as required.

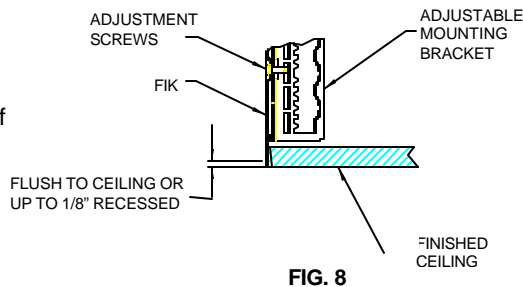


FIG. 8

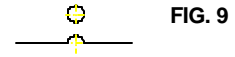


FIG. 9

Base of FIK is provided with a hole pattern (Fig. 9) to assist with the alignment of multiple FIK's. This hole pattern will facilitate the use of laser beams, plumb lines, etc.

D. INSTALLATION OF REFLECTOR TRIM

1. Squeeze both TORSION SPRINGS and insert ends into EMBOSSED SLOTS.
2. Push REFLECTOR TRIM up into FIK until flange is seated firmly against ceiling surface.

Care and Maintenance of "Alzak" REFLECTOR TRIM finish:

If handling of REFLECTOR TRIM with anodized or Alzak finish is required, the use of clean white or plastic film gloves is recommended to avoid fingerprints.

Anodized or Alzak surfaces can be cleaned by the following methods:

1. Wipe off with a soft, clean, dry, lint-free cloth.
2. Wipe off with a soft clean cloth dampened in mild detergent solution. Rinse, then wipe dry with lint-free cloth or paper towel.
3. Wipe off with a clean cloth dampened with a solution of wetting agent and water (such as 2 oz. Per gallon "Pluronic L62-LF" by Wyandotte Products). Wipe dry.
4. Use a liquid wax such as Glass Wax®. Avoid gritty cleaning agents.

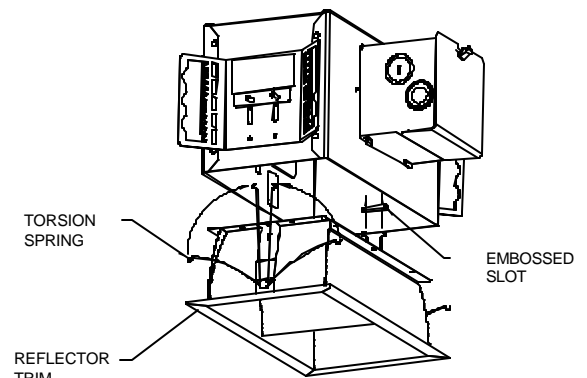


FIG. 10

E. RE-LAMPING

1. Turn off power
2. Pull REFLECTOR TRIM down until ends of TORSION SPRINGS reach EMBOSSED SLOTS.
3. Squeeze TORSION SPRINGS to disengage from EMBOSSED SLOTS, and remove REFLECTOR TRIM.
4. Replace lamp (Do not exceed maximum wattage marking).
5. Replace REFLECTOR TRIM.

F. BALLAST REPLACEMENT

1. Make sure AC power is OFF at fuse-box.
2. Remove REFLECTOR TRIM & lamp(s) (See E).
3. Undo WINGNUT(s) and remove UPPER REFLECTOR.
4. Remove NUTS that secure BALLAST PLATE to HOUSING.
5. Partially remove BALLAST PLATE from HOUSING.
6. Disconnect wire leads from BALLAST push-in terminals. (Insert pin or paper clip in RELEASE SLOT, Fig. 11)
7. Remove BALLAST from BALLAST PLATE, and install new BALLAST.
8. Insert wire leads into BALLAST. Follow wiring diagram on BALLAST.
9. Reattach BALLAST PLATE, UPPER REFLECTOR, lamp(s), and REFLECTOR TRIM.

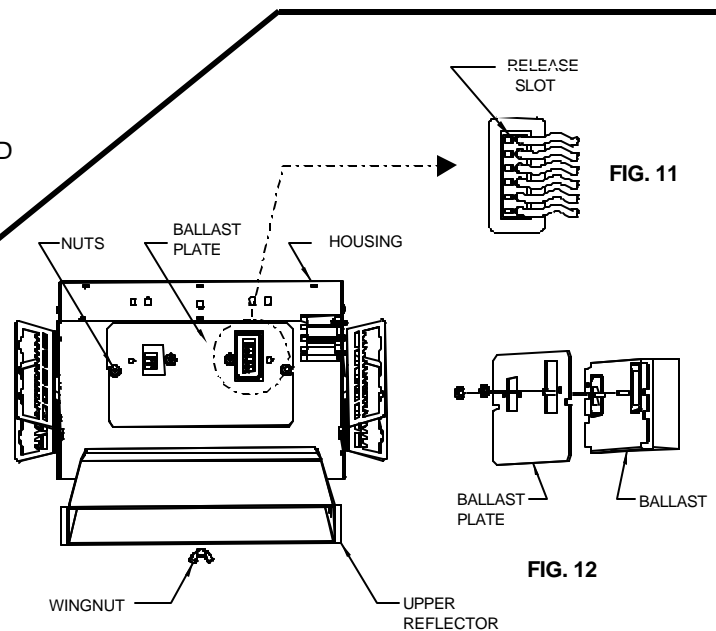


FIG. 12

LIGHTOLIER®

LIGHTOLIER A GENIE THOMAS COMPANY
631 Airport Road, Fall River, MA 02720