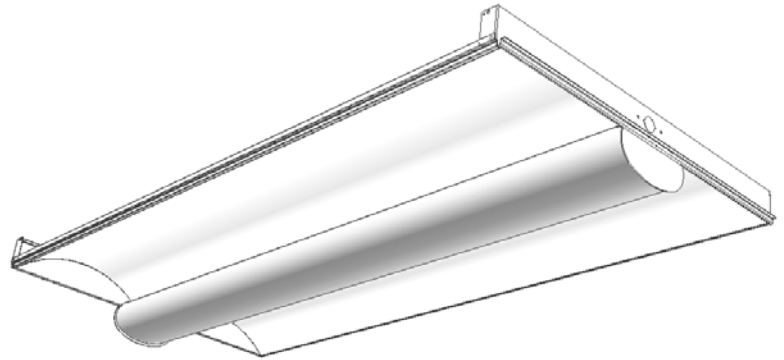
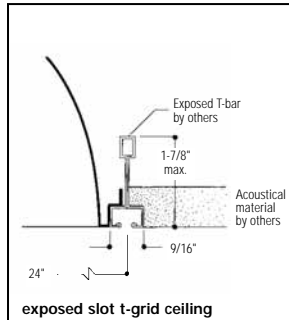
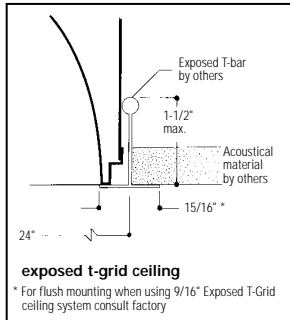


## Features

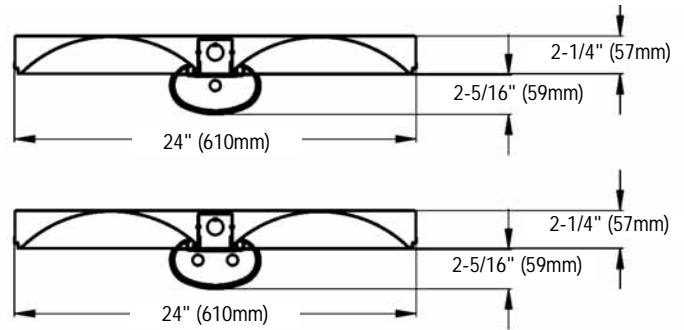
- 83.6% efficient (1 lamp, 54W).
- 74.8% efficient (2 lamp, 54W).
- Only 2-1/4" plenum depth.
- Direct/indirect appearance with soft contoured interior.
- Same fixture fits both G and T ceiling types.
- Fits flush to face of slot grid (T) ceiling.
- Lens encloses lamp compartment.
- Translucent DR acrylic linear prismatic lens.
- Tension screws secure ends to body.
- Lamp shield opens from either side.
- Ballast accessible from room side.
- Wiring access plate standard.
- Optional DALI ballast i GEN TECHNOLOGY accepts digital dimming controllers, scene controllers and automatic control devices.
- Construction meets NYC Code / Chicago Plenum available.



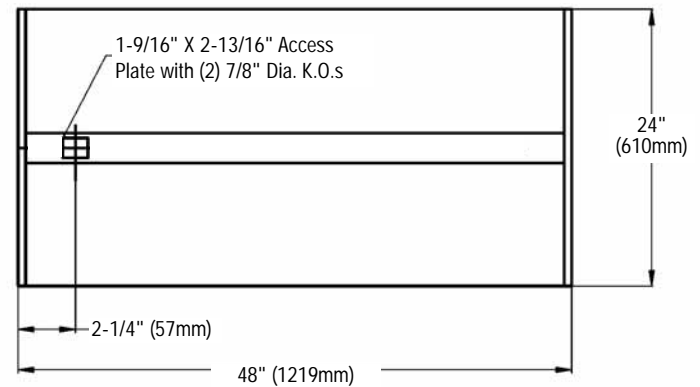
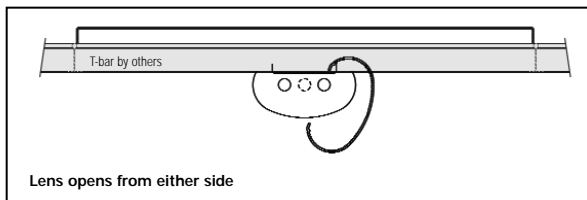
## Mounting Methods



## Dimensions



## Features



## Job Information

## Type:

**Job Name:**

**Cat. No.:**

**Lamp(s):**

**Volts/Ballast:**

For Factory Technical Information: (978) 657-7600 • Fax (978) 658-0595  
631 Airport Road, Fall River, MA 02720 • (508) 679-8131 • Fax (508) 674-4710  
We reserve the right to change details of design, materials and finish.  
www.lightolier.com © 2008 a Philips Group

11/08

Section 5/Folio M33-45

## Direct/Indirect Semi-Recessed Fluorescent 2' x 4' with Acrylic Linear Prismatic Lens, 1 or 2 Lamp T5

### Model No. HDS2GLW154UNVPG

LER = FP - 60.5 IW - 60.8 BF - 1.0  
Comparative yearly lighting energy cost per  
1000 lumens = \$3.97

Report Number: G2008213  
Catalog Number: HDS2GLW154UNVPG  
Lamps: (1) F54 T5 HO  
Luminaire: HP90 Semi-Recessed 2' x 4'  
with linear prismatic lens.  
Ballast: QT1X54/120PHO  
Report is based on 4400 Lumens per lamp.  
Efficiency: 83.6%  
CIE Type-Direct-Indirect  
Plane: 0-Deg 90-Deg  
Spacing Criteria: 1.2 1.4  
Shielding Angles: 90 90  
Plane: 0-Deg 90-Deg  
Luminous Length: 47.880 23.040

#### CANDELA DISTRIBUTION

	0.0	45.0	90.0	FLUX
0	1053	1053	1053	
5	1046	1047	1051	100
15	997	1015	1033	287
25	906	955	996	440
35	781	868	937	541
45	626	760	864	581
55	452	641	777	562
65	272	516	677	492
75	121	392	568	391
85	26	282	469	284
90	5	179	338	

#### COEFFICIENTS OF UTILIZATION - ZONAL CAVITY METHOD. EFFECTIVE FLOOR CAVITY REFLECTANCE 0.20

RC	80	50	30
RW	70 50 30	50 30 10	50 30 10
1	88 83 79	78 74 71	74 71 69
2	79 71 65	67 61 57	64 59 55
3	72 62 54	58 52 47	56 50 46
4	66 54 46	51 44 39	49 43 39
5	60 48 40	46 39 34	44 38 33
6	55 43 35	41 34 29	40 34 29
7	51 39 31	37 31 26	36 30 25
8	48 36 28	34 28 23	33 27 23
9	45 33 26	31 25 21	30 25 20
10	42 30 23	29 23 19	28 22 18

#### ZONAL LUMEN SUMMARY

ZONE	LUMENS	% LAMP	% FIXT
0- 30	827	18.8	22.5
0- 40	1368	31.1	37.2
0- 60	2511	57.1	68.3
0- 90	3678	83.6	100.0
90-180	0	0.0	0.0
0-180	3678	83.6	100.0

#### LUMINANCE DATA IN CANDELA/SQ. METER

AVERAGE IN DEG.	AVERAGE 0-DEG.	AVERAGE 45-DEG.	AVERAGE 90-DEG.
45	1187.	1407.	1562.
55	1036.	1421.	1667.
65	820.	1482.	1856.
75	558.	1670.	2251.
85	271.	2473.	3547.

### Model No. HDS2GLW254UNVPG

LER = FP - 71.5 IW - 93.9 BF - 1.02  
Comparative yearly lighting energy cost per  
1000 lumens = \$3.36

Report Number: G2008216  
Catalog Number: HDS2GLW254UNVPG  
Lamps: (2) F54 T5 HO  
Luminaire: HP90 Semi-Recessed 2' x 4'  
with linear prismatic lens.  
Ballast: B254PUNV-D  
Report is based on 4400 Lumens per lamp.  
Efficiency: 74.8%  
CIE Type-Direct-Indirect  
Plane: 0-Deg 90-Deg  
Spacing Criteria: 1.2 1.4  
Shielding Angles: 90 90  
Plane: 0-Deg 90-Deg  
Luminous Length: 47.880 23.040

#### CANDELA DISTRIBUTION

	0.0	45.0	90.0	FLUX
0	1891	1891	1891	
5	1879	1881	1888	179
15	1794	1825	1852	516
25	1635	1713	1779	789
35	1410	1556	1679	972
45	1135	1367	1553	1047
55	822	1155	1397	1014
65	502	928	1204	885
75	230	699	992	695
85	50	494	782	486
90	9	302	547	

#### COEFFICIENTS OF UTILIZATION - ZONAL CAVITY METHOD. EFFECTIVE FLOOR CAVITY REFLECTANCE 0.20

RC	80	50	30
RW	70 50 30	50 30 10	50 30 10
1	79 75 71	70 67 64	67 64 62
2	71 64 58	60 55 51	57 53 50
3	64 56 49	52 46 42	50 45 41
4	59 49 42	46 40 35	44 39 35
5	54 43 36	41 35 30	39 34 30
6	50 39 32	37 31 26	36 30 26
7	46 35 28	33 27 23	32 27 23
8	43 32 25	31 25 21	30 24 20
9	40 29 23	28 22 18	27 22 18
10	37 27 21	26 20 17	25 20 17

#### ZONAL LUMEN SUMMARY

ZONE	LUMENS	% LAMP	% FIXT
0- 30	1484	16.9	22.5
0- 40	2456	27.9	37.3
0- 60	4517	51.3	68.6
0- 90	6583	74.8	100.0
90-180	0	0.0	0.0
0-180	6583	74.8	100.0

#### LUMINANCE DATA IN CANDELA/SQ. METER

AVERAGE IN DEG.	AVERAGE 0-DEG.	AVERAGE 45-DEG.	AVERAGE 90-DEG.
45	2152.	2530.	2807.
55	1885.	2560.	2997.
65	1514.	2665.	3301.
75	1060.	2979.	3931.
85	522.	4332.	5914.

## Ordering Information

Explanation of Catalog Number. Example: HDS2GLW254UNVPG

<b>HD</b>	<b>S</b>	<b>2</b>	<b>G</b>	<b>L</b>	<b>W</b>		<b>54</b>	<b>UNV</b>		
HP90 Direct/Indirect Semi-Recessed	Body Style: S = Static	Fixture Width	Ceiling Type: Fits both Standard Grid and Slot Grid	Acrylic Lens	Reflector: White	Lamp Quantity 1=1 Lamp 2=2 Lamp	Lamp: (By Others) 54=T5 54W (Nominal 48")	Voltage: UNV=120-277	Options: Add appropriate suffix to catalog no., ie: (A)	Ballast Type: <20THD <10THD 1 Lamp Elec. T5 HO (54 Watt) - PG †† 2 Lamp Elec. T5 HO (54 Watt) - PG †† ††Program Rapid Start (UNV only)

## Options/Accessories

**Fusing:** Internal fast blow fusing: SUFFIX: A.  
Internal slow blow fusing: SUFFIX: C.  
**Drywall Kit:** Order Catalog Number: **FK92X4**.  
**Electrical Wiring Options:** Consult factory.  
**For motion or light sensor:** See Folio OA20-10.

## Specifications

**Performance:** In an installation of 2 lamp 54W luminaires in a room cavity ratio of 1, with reflectance 80% ceiling, 50% wall, 20% floor, the C.U. shall not be less than .75. To reduce glare the average brightness at 65° shall not exceed 3301 candelas per square meter. To control veiling reflections, luminaire output in the 30°-90° zone shall not be less than 77.5%.

**Materials:** Chassis parts are die-formed code gauge steel.  
**Lamp Shield:** Linear prismatic translucent DR acrylic lens.  
**Finish:** Chassis exterior - Soft white post painted polyester powder. Cavity - Soft white post painted polyester powder. Rust preventative undercoating.  
**Reflector** - Soft white post painted polyester powder.

## Specifications (continued)

**Electrical:** Thermally protected class "P" ballast C.B.M. approved, non PCB. If K.O. is within 3" of ballast, use wire suitable for at least 90°.  
UL Listed for damp locations.  
**Labels:** I.B.E.W./UL and ULc Listed.  
This product may have a mercury containing lamp. Manage in accord with Disposal Laws. See: www.lamprecycle.org

## Job Information Type:

For Factory Technical Information: (978) 657-7600 • Fax (978) 658-0595  
631 Airport Road, Fall River, MA 02720 • (508) 679-8131 • Fax (508) 674-4710  
We reserve the right to change details of design, materials and finish.  
www.lightolier.com © 2008 a Philips Group

Section 5/Folio M33-45