

Deepcel Plus DPA2G18LS332

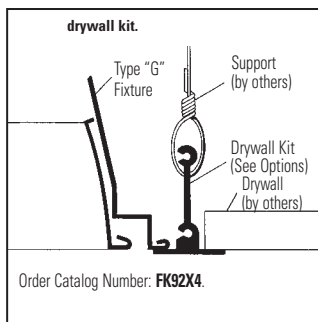
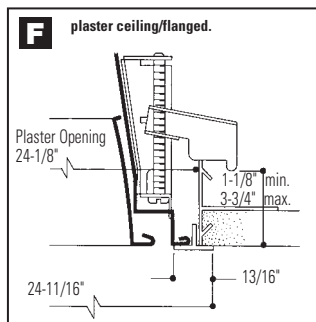
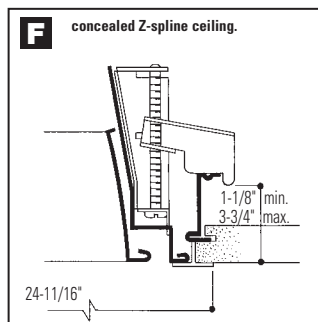
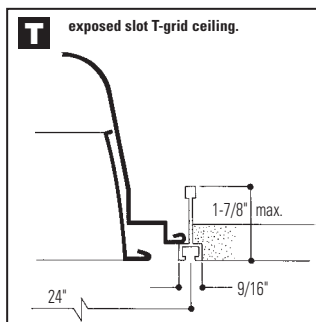
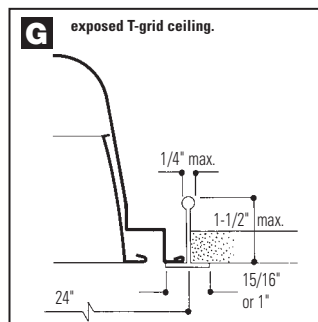
Page 1 of 2

2' x 4' Recessed Fluorescent, 3", 18 Cell Parabolic Louver
Static or Air Supply/Return, 3 Lamp, T8 or T5

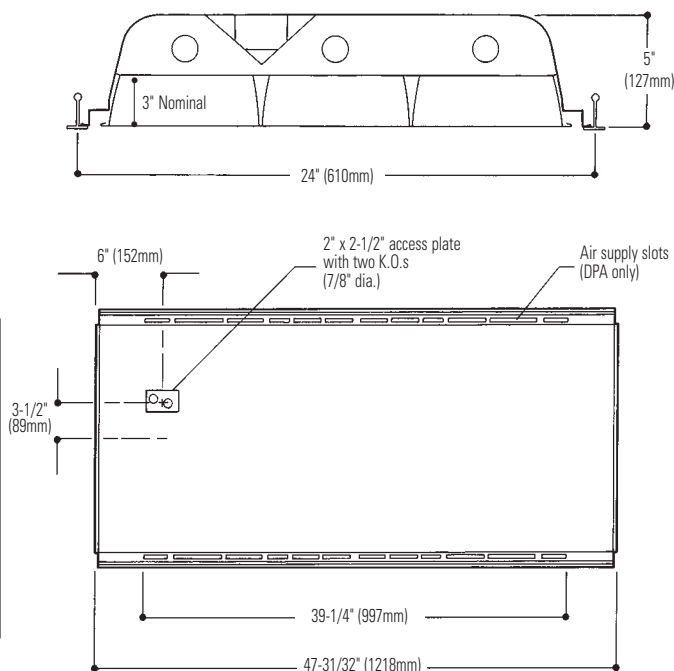
- 5" deep body.
- 77.6% efficient.
- Clean contoured interior.
- Eyeleted heat removal vents in fixture ends.
- One piece housing.
- Black exterior for cooler ballast operating temperature.
- Hemmed over side rails for safe handling.
- Fixture ends turned-in for safe handling.
- Built-in earthquake clips (patent no. 5,072,344).
- Pre-anodized aluminum parabolic louver.
- Vertical grain louver eliminates reflected lamp images on cross baffle.
- Spring loaded latches.
- 18 gauge steel hinges.
- Louver frame with integral positive light stop.
- Louver has protective film dust guard.
- Construction to meet NYC Code or Chicago Plenum requirements is available.



Mounting Methods



Dimensions



Job Information

Type:

Job Name:

Cat. No.:

Lamp(s):

Volts/Ballast:

Lightolier a Genlyte company

www.lightolier.com

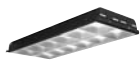
Technical Information: (978) 657-7600 • Fax (978) 658-0595

631 Airport Road, Fall River, MA 02720 • (508) 679-8131 • Fax (508) 674-4710

We reserve the right to change details of design, materials and finish.

© 2007 a Genlyte company

Section 2/Folio G51-46 Rev. A



Deepcel Plus DPA2G18LS332

2' x 4' Recessed Fluorescent, 3", 18 Cell Parabolic Louver Static or Air/Return, 3 Lamp, T8 or T5

Photometry

Model No. DPA2G18LS33212003

LER = FP - 68.6 IW - 85.9 BF - 0.89

Comparative yearly lighting energy cost per 1000 lumens = \$3.50

ifl boulder
INDEPENDENT TESTING LABORATORIES, INC. • 3368 LONGHORN ROAD, BOULDER, CO 80502 USA • PHONE (303) 442-1256 FAX (303) 442-9274

REPORT NUMBER: ITL49576 DATE: 12/28/99
PREPARED FOR: LIGHTOLIER
CATALOG NUMBER: DPA2G18LS33212003
LUMINAIRE: FABRICATED METAL HOUSING WITH WHITE PAINTED INTERIOR FINISH, FABRICATED WHITE PAINTED METAL BALLAST COVER, FABRICATED SEMI-SPECULAR METAL PARABOLIC 18-CELL LOUVER.
LAMPS: THREE 32-WATT T-8 P32BT835 LINEAR FLUORESCENTS.
BALLAST: MOTOROLA M3-RN-T8-LL-120 (CUSTOMER SUPPLIED BALLAST FACTOR = 88.7)
MOUNTING: RECESSED
TOTAL REFLECTANCE OF PAINT= 92.8 %
THE 0 DEGREE PLANE IS PARALLEL WITH THE LAMPS.
TOTAL INPUT WATTS= 85.8 AT 120.0 VOLTS
LUMEN TO CANDELA RATIO USED= 9.17
REPORT IS BASED ON 2850 LUMENS PER LAMP.

CANDELA DISTRIBUTION

ANGLE	0	30	45	60	75	90	FLUX
0	2502	2502	2502	2502	2502	2502	239
5	2497	2501	2501	2505	2500		702
15	2395	2423	2482	2536	2549		1128
25	2213	2284	2422	2606	2674		1484
35	1966	2091	2388	2591	2741		1541
45	1647	1850	2183	2181	2047		1062
55	1292	1445	1390	960	970		444
65	483	575	419	413	384		31
75	23	26	25	23	20		0
85	3	4	3	3	3		0
90	0	0	0	0	0		0

ZONAL LUMEN SUMMARY

ZONE	LUMENS	% LAMP	% FIXT
0-30	2068	24.2	31.2
0-40	3552	41.5	53.5
0-60	6156	72.0	92.8
0-90	6634	77.6	100.0
90-180	0	0.0	0.0
0-180	6634	77.6	100.0

TOTAL LUMINAIRE EFFICIENCY = 77.6 %

CIE TYPE - DIRECT
PLANE : 0-DEG 90-DEG
SPACING CRITERIA : 1.2 1.6
SHIELDING ANGLES : 18 38
PLANE : 0-DEG 90-DEG
LUMINOUS LENGTH : 45.125 21.000

LUMINANCE DATA IN CANDELA/SQ M

ANGLE	AVERAGE	AVERAGE	AVERAGE	
0-DEG	45	3808	5048	4733
45-DEG	55	3425	3706	2765
90-DEG	65	1865	1621	1486
	75	145	158	126
	85	56	56	56

THIS REPORT IS BASED ON PUBLISHED INDUSTRY PROCEDURES - FIELD PERFORMANCE MAY VARY FROM LABORATORY PERFORMANCE.

coefficients of utilization — zonal cavity method

RC	20			20			20		
	70	50	30	50	30	10	50	30	10
1	86	83	81	78	76	75	75	74	72
2	80	74	70	70	67	64	68	65	62
3	73	66	61	63	58	55	61	57	54
4	67	59	53	56	51	47	54	50	47
5	62	53	47	51	45	41	49	45	41
6	57	48	41	46	40	36	45	40	36
7	53	43	37	42	36	32	41	36	32
8	50	40	33	38	33	29	37	32	29
9	46	36	30	35	30	26	34	29	26
10	43	33	28	32	27	23	32	27	23

visual comfort probability (VCP) average 100 fc; reflectances 80/50/20

room size	ceiling height				ceiling height					
	W	L	8.5	10.0	13.0	16.0	8.5	10.0	13.0	16.0
20	20	20	74	69	68	77	78	74	73	76
20	30	30	78	73	66	66	82	78	73	70
20	40	40	81	77	71	67	82	80	77	72
20	60	60	81	77	74	71	82	81	80	75
30	20	20	80	74	70	75	83	77	73	75
30	30	30	83	77	69	65	85	80	74	69
30	40	40	85	80	73	66	85	82	77	71
30	60	60	85	81	76	70	85	82	80	74
30	80	80	85	80	76	71	85	82	80	74
40	20	20	80	74	73	76	83	77	76	75
40	30	30	83	78	72	67	85	80	76	69
40	40	40	85	80	76	68	85	82	79	71
40	60	60	85	80	79	71	85	82	81	75
40	80	80	85	80	79	71	85	82	81	75
40	100	100	85	80	79	71	85	82	81	75
60	30	30	83	78	74	69	85	81	78	71
60	40	40	85	80	78	70	85	82	81	73
60	60	60	85	81	81	73	85	82	83	76
60	80	80	85	81	81	74	85	82	83	76
60	100	100	85	81	81	74	85	82	83	76
100	40	40	85	80	78	71	85	82	81	73
100	60	60	85	81	81	74	85	82	83	77
100	80	80	85	81	81	75	85	82	83	77
100	100	100	85	81	81	75	85	82	83	77

Ordering Information

Explanation of Catalog Number. Example: DPA2G18LS33212003CP

DP	2	S	3	120, 277 or UNV=120-277	Options: Add appropriate suffix to catalog no., ie: (CP)
Deepcel Plus Parabolic: Pre-anodized aluminum louver	Body Style: A=Air Supply S=Static	Fixture Width	Ceiling Type: G= Grid (lay-in T bar) F= Flanged (over lap) Z spline and plaster frame T= Slot grid or two-directional concealed T (see options)	Number of Cells: 18=3 rows of 6 24=3 rows of 8	Louver Finish: L = Low iridescence Semi-specular (standard) P =Low iridescence Specular W =White Baked Enamel
DP Standard Deepcel				Lamp Type/ Fixture Length: 32=32W T8 28=28W T5 54=54W T5 (Nominal 48")	Ballast Type: <20THD <10THD SO * HI * 1-3 Lamp Elec. T8 O3 * H3 * 1 & 2 Lamp 28W Elec. T5 - PI † 1 & 2 Lamp 28W Elec. T5 - PG †† 1-3 Lamp 54W Elec. T5 - P5 †† LOL T8 Dimming PS
DY For NYC Code - I.B.E.W. Manufactured					Other dimming options. Consult factory.
ND For NYC Code - Local 3 Manufactured 5 1/2" Deep Body					*Instant Start Standard †Instant Start (120, 277 or UNV) ††Program Rapid Start (UNV only)

Options/Accessories

- Plaster Frame:** Catalog Number: PF24
- Continuous Row Installation:** For F type fixtures, half width flanges are required between fixtures. Order Catalog Number: 2FC TRIM CSP (each joint).
- Radio Interference Filter:** To order one RIF per fixture; SUFFIX: R. To order one RIF per ballast; SUFFIX: B.
- Electrical Wiring Options:** Consult factory.
- Air Closure Strip:** SUFFIX: ACS4 (factory installed).
- Firewall Kit:** Order Catalog Number: FK92X4. (Request Folio OA30-10 Rev. A).
- Chicago Plenum:** SUFFIX: CP.

Specifications

Performance: In an installation of 3 lamp 32W luminaires in a room cavity ratio of 1, reflectance 80% ceiling, 50% wall, 20% floor, the C.U. shall not be less than .83. To prevent glare the VCP shall be not less than 73 either lengthwise or crosswise (at 100fc level) and the average brightness at 65° shall not exceed 1869 candelas per square meter. To control veiling reflections, luminaire output in the 30°-90° zone shall not be less than 68.88%.

Air Handling (DPA only) side air passages for air supply or air return. Supply air is discharged vertically. Optional side closure strips. Air return is also provided through the lamp compartment through fixture body ends.

Materials: Chassis parts are die-formed code gauge cold rolled steel. Housing is ribbed for rigidity with side rails hemmed over and housing ends turned-in for safe handling. Louver is pre-anodized aluminum (Coilzak® or equal).

Specifications (continued)

Finish: Chassis exterior—black baked polyester enamel. Cavity—white baked polyester enamel minimum 86% reflectance. Phosphate undercoating. Louver—low iridescence semi-specular anodized vertical grain aluminum reflector sheet is standard.

Electrical: Thermally protected class "P" ballast C.B.M. approved, non PCB. If K.O. is with-in 3" of ballast, use wire suitable for at least 90°.

Labels: I.B.E.W. UL and ULc Listed.

Job Information

Type:

Lightolier a Genlyte company www.lightolier.com
Technical Information: (978) 657-7600 • Fax (978) 658-0595
631 Airport Road, Fall River, MA 02720 • (508) 679-8131 • Fax (508) 674-4710
We reserve the right to change details of design, materials and finish.
© 2007 a Genlyte company Section 2/Folio G51-46 Rev. A

LIGHTOLIER