

# Divine™ Technical Specification

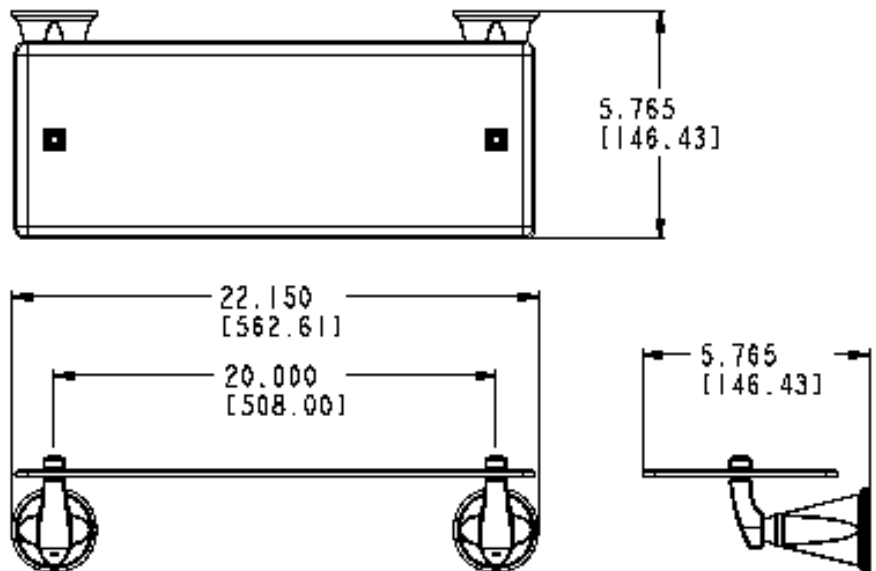
## Glass Shelf

YB9390

### Stock Numbers:

- q YB9390CH – Glass Shelf  
Chrome Finish
- q YB9390BN – Glass Shelf  
Brushed Nickel Finish
- q YB9390HN – Glass Shelf  
Hammered Nickel Finish

### Dimensions:



### Materials:

**Glass Shelf** is constructed of zinc post and tempered glass shelf.

### Installation Instructions:

1. Position the mounting template on the wall in the desired location. Using a level, align the template and tape it to the wall.
2. Remove each mounting post from the body by loosening the setscrew.
3. Place each mounting post on the template with notch facing down.
4. Drill 1/4" holes at the center of each oval marked location.
5. Remove the template from the wall and insert the wall anchors (provided) into each drilled hole.
6. Place the mounting plate on the wall over the installed wall anchors. Insert screws through the mounting plate into the anchors.
7. Tighten the screws.

### Cleaning Instructions:

To preserve the fine finish of this product, clean only with a soft damp cloth. Dry well. Do not use commercial or abrasive cleaners.

**Stock Number:** \_\_\_\_\_ **Glass Shelf**  
**By Creative Specialties**



25300 AL MOEN DRIVE • NORTH OLMSTED, OH 44070  
CORPORATE HEADQUARTERS: (800) 321-8809 • FAX: (800) 848-6636  
INTERNATIONAL: (440) 962-2000 • FAX: (440) 962-2726  
CUSTOMER SERVICE (USA): 800-882-0116 • FAX: (888) 379-2720  
WWW.SHOWHOUSE.MOEN.COM

©Copyright Creative Specialties International

Literature #BA1420