

Univolt[®]

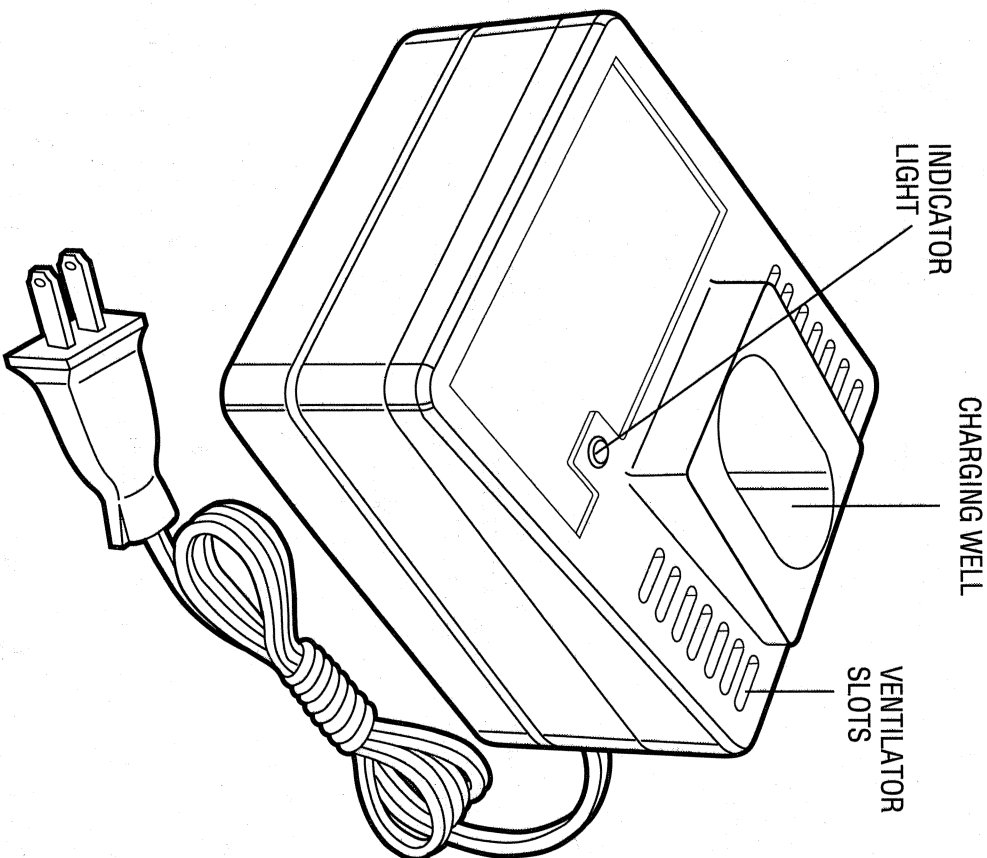
Instruction Manual
98014 • 97014
One Hour Chargers

Getting the most out of your tool.

Please take time to read this manual and pay particular attention to the safety rules we've provided for your protection. Don't forget to send in your owner's registration card. If you have any questions about your tool please call:

1-800-9-BD TOOL
(1-800-923-8665)

Cat. No.	Charging a "Standard" Pack	Charging an "XR" Pack
98014	60 minutes	75 minutes
97014	45 minutes	60 minutes



SAFETY INSTRUCTIONS

This manual contains important safety and operating instructions.

- Before using charger, read all instructions and cautionary markings on (1) charger, (2) battery pack, and (3) product using battery pack.
- **DANGER:** 120 volts present at charging terminals. Do not probe with conductive objects. Danger of electric shock or electrocution.
- **DANGER:** If battery pack case is cracked or damaged, do not insert into charger. Danger of electric shock or electrocution.
- Do not expose charger to rain or snow.
- The charger is not intended for any uses other than charging B&D battery packs. Any other uses may result in risk of fire, electric shock or electrocution.
- To reduce risk of damage to electric plug and cord, pull by plug rather than cord when disconnecting charger.
- Make sure cord is located so that it will not be stepped on, tripped over, or otherwise subjected to damage or stress.
- An extension cord should not be used unless absolutely necessary. Use of improper extension cord could result in risk of fire, electric shock, or electrocution.
- Two-wire cords can be used with 2-wire or 3-wire extension cords. Only round jacketed extension cords should be used, and we recommend that they be listed by Underwriters Laboratories (U.L.) (C.S.A. in Canada). If the extension will be used outside, the cord must be suitable for outdoor use. The letters "W" or "WA" on the cord jacket indicate that the cord is suitable for outdoor use.
- An extension cord must have adequate wire size (AWG or American Wire Gauge) for safety. The smaller the gauge number of the wire, the greater the capacity of the cable, that is 16 gauge has more capacity than 18 gauge. When using more than one extension to make up the total length, be sure each individual extension contains at least the minimum wire size

CHART FOR MINIMUM WIRE SIZE (AWG) OF EXTENSION CORDS

NAMEPLATE RATING AMPS - 0 - 10.0

Total Extension Cord Length (ft)	25	50	75	100	125	150
Wire Gauge	18	18	16	16	14	14

- The charger is ventilated through slots in the housing. Do not place any object on top of charger or place the charger on a soft surface that might block the ventilation slots and result in excessive internal heat. Place the charger in a position away from any heat source.
- Do not operate charger with damaged cord or plug — have them replaced immediately.
- Do not operate charger if it has received a sharp blow, been dropped, or otherwise damaged in any way; take it to an authorized B&D service center.
- Do not disassemble charger; take it to an authorized B&D service center when service or repair is required. Incorrect reassembly may result in a risk of electric shock, electrocution or fire.
- Unplug charger from outlet before attempting any cleaning, to reduce risk of electric shock. Removing the battery pack will not reduce this risk.
- NEVER attempt to connect 2 chargers together.
- DO NOT store or use the tool and battery pack in locations where the temperature may reach or exceed 105°F (such as outside sheds or metal buildings in summer).
- The charger is designed to operate on standard household electrical power (120 volts). Do not attempt to use it on any other voltage!

SAVE THESE INSTRUCTIONS FOR FUTURE USE

Universal Charging

Your charger is designed to use standard household 120 volt AC, 60 Hz power. Do not use DC. The use of other power sources like, but not limited to, those that convert DC to AC is not recommended and may cause serious damage to the internal circuitry of your charger.

Your charger is designed to charge all B&D Univolt™ designated battery packs from 6.0 volts to 14.4 volts in about one hour. The charger needs no adjustment and is designed to be as easy as possible to operate. Simply place your battery pack into the receptacle of a plugged in charger, as shown in Figures 1A and 1B and it will automatically charge the pack.

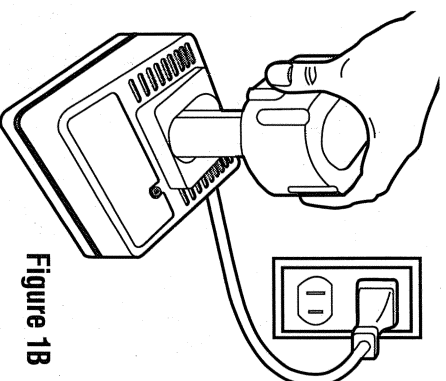
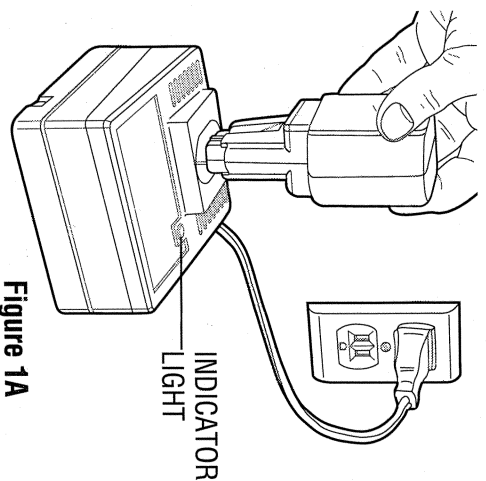
Charging Procedure

There are no switches or manual controls on your charger. To turn it on, simply plug it into any conventional 120 volt, 60 Hz outlet. Charging will start automatically when the battery pack is inserted properly into the charging well.

1. Insert the battery pack into the charger as shown in Figures 1A and 1B. The red (indicator) light will blink indicating that the charging process has started. Be sure that the battery pack is fully seated in the charger.
2. The battery pack will be fully charged in about 60 minutes. This will be indicated by the red indicator light remaining ON. The charger has switched into its “*equalize charge*” mode which lasts approximately 4 hours, after which the charger then switches to its continuous “*maintenance charge*” mode. The battery pack can be removed at any time during any of the charge cycles, but will only be fully charged if the red light is solid ON (not flashing). The charger and battery pack can be left connected with the red light glowing indefinitely. The charger will keep the battery pack fresh and fully charged.

NOTE: A battery pack will slowly lose its charge when kept out of the charger. If the battery pack has not been kept on maintenance charge, it may need to be recharged before use. A battery pack may also slowly lose its charge if left in a charger that is not plugged in.

3. This charger is designed to detect certain problems that can arise with battery packs, which would be indicated by the red light flashing at a fast rate. If this occurs, try a different battery pack to determine if the charger is OK. If the new pack charges properly, then the original pack is defective and should be returned to a service center for recycling.



IMPORTANT CHARGING NOTES

1. Longest life and best performance can be obtained if the battery pack is charged when the air temperature is between 65°F and 75°F (18°- 24°C). **DO NOT** charge the battery pack in an air temperature below +40°F (+4.5°C), or above +105°F (+40.5°C). This is important and will prevent serious damage to the battery pack.
2. The charger and battery pack may become warm to touch while charging. This is a normal condition, and does not indicate a problem.
3. If the battery pack does not charge properly — (1) Check current at receptacle by plugging in a lamp or other appliance, (2) Check to see if receptacle is connected to a light switch which turns power off when you turn out the lights. (3) Move charger and battery pack to a location where the surrounding air temperature is approximately 65°F - 75°F (18° - 24°C). (4) If charging problems persist, take or send the tool, battery pack and charger to your local service center.
4. The battery pack should be recharged when it fails to produce sufficient power on jobs which were easily done previously. **DO NOT CONTINUE** to use under these conditions. Follow the charging procedure. You may also charge a partially used pack whenever you desire with no adverse effect on the battery pack.
5. Under certain conditions, with the charger plugged in to the power supply, the exposed charging contacts inside the charger can be shorted by foreign material. Foreign materials of a conductive nature such as, but not limited to, steel wool, aluminum foil, or any buildup of metallic particles should be kept away from charger cavities. Always unplug the charger from the power supply when there is no battery pack in the cavity. Unplug charger before attempting to clean.
6. Under severely hot conditions and when the battery pack is needed back in service quickly, forced cooling of the battery is required. To force cool, place the pack in the airstream from an electric fan or in a cool location.
7. Do not freeze or immerse charger in water or any other liquid.
8. **Warning:** Don't allow any liquid to get inside charger. Electric shock may result.
9. To facilitate the cooling of the battery pack after use, avoid placing the charger or battery pack in a warm environment such as in a metal shed, or an uninsulated trailer.
10. **CAUTION:** Never attempt to open the battery pack for any reason. If the plastic housing of the battery pack breaks or cracks, return to a service center for recycling.

Battery Packs

Your charger will charge B&D battery packs designated as Univolt™. When ordering replacement battery packs, be sure to include catalog number and voltage.

Important!

To assure product safety and reliability, repairs, maintenance, and adjustments should be performed by B&D service centers or other qualified service organizations, always using B&D replacement parts.

Every B&D tool is of the highest quality.

If you wish to contact us regarding this product, please call toll free between 8:00am and 8:00pm ET, seven days a week:

1-800-9-BD TOOL
(1-800-923-8665)

One Year Free Maintenance

All B&D tools for Industry and Construction are covered under a one year free maintenance program where B&D will inspect your tool for safety and provide necessary maintenance or repairs, including normal wear and tear parts, for one year, FREE OF CHARGE.

Full Warranty

All B&D tools for Industry and Construction are warranted to be free of any defects in materials or workmanship. Upon thorough examination of tool, B&D will repair or replace, at our option, any product that is determined to be defective.

Conditions

The service/safety check and the warranty do not apply to: repairs made or attempted by anyone other than an authorized B&D service location; misuse, abuse, neglect, improper application of the tool; missing parts; or normal wear and tear (after first year of ownership). Please return the complete unit, transportation prepaid, to any B&D factory owned or B&D authorized service center location (list provided with tool or see yellow pages under "Tools Electric").

YOUR POWER TOOLS MAY BE SERVICED AT THE FOLLOWING B&D SERVICE DEPOTS.

Alberta

Edmonton TSM1v1, 11440 142nd St.....403-453-2373

British Columbia

Vancouver V5M3A7, 1735 Houndry Rd604-281-9942

Manitoba

Winnipeg R3H0K3, 834 St. James St.204-763-7291

Nova Scotia

Halifax B3K2A4, 6100 Young St.902-453-5000

Ontario

Brookville K6V5W6, 100 Colonial Ave.....613-342-6641

London N6L3A8, 901 Wellington Rd #6519-649-2407

Mississauga L4X1L3, 1480 Dundas St.E#6905-277-0011

North York M3J3G5, 48 Kedliao Cros.....416-835-6740

Québec

Montréal H1Y1B4, 3061 Boulanger614-722-1021

**FOR ADDITIONAL SERVICE LOCATIONS
CALL: 1-800-9-BD TOOL**

YOUR POWER TOOLS MAY BE SERVICED AT THE FOLLOWING BLACK & DECKER SERVICE CENTERS.

	Area Code	Phone Number	Area Code	Phone Number
ALABAMA:				
Birmingham 35209, 2412 Green Springs Hwy.....	205	942-0538		
Mobile 36608, 3831 Airport Blvd.....	205	343-6624		
ALASKA:				
Anchorage 99518, 910 West International Airport Rd.....	907	563-4664		
ARIZONA:				
Mesa 85202, 535 S. Dobson, Suite 7. 602-461-1074				
Phoenix 85013, 4501 N. 7th Avenue.....	602	279-6414		
Tucson 85712, 4845 E. Speedway Blvd.....	602	323-3388		
ARKANSAS:				
Little Rock 72201, 519 W. Seventh St.....	501	372-3040		
CALIFORNIA:				
Anaheim 92806, 540 South State College Blvd.....	714	772-4050		
Concord 94520, 1500 Monument Blvd., #C2	510	682-4880		
Fresno 93710, 5412 North Blackstone Ave.....	209	435-0810		
Long Beach 90805, 2011 South St.....	310	422-5825		
Los Angeles 90040, 4820 South Eastern Ave., Suite "L"	213	720-1834		
Riverside 92506, 6215 Magnolia Ave., Suite "B"	909	777-9700		
Sacramento 95825, 2033 Fulton Ave.....	916	972-9090		
San Diego 92123, 9270 Clairemont Mesa Blvd.....	619	279-2011		
San Jose 95128, 1185 So. Bascom Ave.....	408	293-7350		
San Leandro 94578, 15208 E. 14th St.....	510	276-1610		
Van Nuys 91411, 14920 Victory Blvd.....	818	787-5531		
COLORADO:				
Denver 80219, 1171 S. Federal Blvd.....	303	922-8325		
CONNECTICUT:				
Orange 06477, 481 Boston Post Rd.....	203	795-3583		
Wethersfield (Hartford) 06109, 662 Sias Dean Hwy.....	203	563-5800		
DISTRICT OF COLUMBIA: Washington				
Colmar Manor 20722, 4153 Bladensburg Rd.....	301	779-3808		
Falls Church, VA 22046, 344 W. Broad St.....	703	533-7313		
FLORIDA:				
Ft. Lauderdale 33334, 799 E. Oakland Pk. Blvd.....	305	566-5102		
Jacksonville 32205, 920 Cassat Ave.....	904	781-2253		
Miami (North) 33168, 13345 N.W. Seventh Ave.....	305	681-6658		
Miami (South) 33156, 12233 So. Dixie Hwy.....	305	232-9497		
Orlando 32803, 3807 E. Colonial Dr.....	407	894-7071		
St. Petersburg 33709, 5635 49th St., N.....	813	525-0273		
Tampa 33609, 3432 W. Kennedy Blvd.....	813	872-8317		
West Palm Beach 33415, 310 South Military Trail.....	407	689-3247		
GEORGIA:				
Atlanta (South) 30349, 5330 Old National Hwy.....	404	762-8844		
Smyrna 30080, 2550 Cobb Pkwy.....	404	956-0869		
Stone Mountain (Atlanta) 30086, 5723 Memorial Dr.....	404	292-4714		
HAWAII:				
Honolulu 96819, 330 Sand Island Access Road.....	808	847-7447		
ILLINOIS:				
Des Plaines (Chicago) 60018, 1277 South Elmhurst Rd.....	708	364-5220		
Lincolnwood (Chicago) 60066, 6710 N. Crawford Ave.....	708	673-0923		
List (West Chicago) 60532, 2950 Ogden Ave., Unit H.....	708	717-1075		
Moline 61265, 4433 23rd Ave.....	309	762-3000		
Oak Lawn (Chicago) 60453, 6343 W. 95th St.....	708	423-7212		
INDIANA:				
Evansville 47710, 307 First Ave., Crescent Cir.....	812	425-4269		
Hammond 46323, 7103 Kennedy Ave.....	219	845-5100		
Indianapolis 46224, 5999 Crawfordsville Rd.....	317	243-8308		
IOWA:				
Des Moines 50310, 3427 Merle Hay Rd.....	515	270-1340		
KANSAS:				
Wichita 67213, 155 S. West St.....	316	943-1271		
KENTUCKY:				
Louisville 40213, 5211 Preston Hwy.....	502	968-7100		
LOUISIANA:				
Baton Rouge 70815, 11859 Florida Blvd.....	504	272-8111		
Harvey 70058, 2500 Lapalco Blvd.....	504	366-8676		
Metaline (New Orleans) 70002, 3504 N. Causeway Blvd.....	504	837-2550		
Shreveport 71108, 7710-7714 Jewella Rd.....	318	688-1553		
MARYLAND:				
Baltimore (East) 21205, 4712 Erdman Ave.....	410	485-5550		
Baltimore (North) 21030, 29-31 Cranbrook Rd., Cockeysville	410	666-5966		
Baltimore (South) 21122, 8220 Ritchie Hwy., Pasadena	410	647-8456		
Calmar Manor 20722, 4153 Bladensburg Rd.....	301	779-3808		
MASSACHUSETTS:				
Brighton (Boston) 02135, 12 Market St.....	617	782-6264		
Seekonk 02771, 120 Highland Ave.....	508	336-6510		
MICHIGAN:				
Grand Rapids 49512, 3040 28th St., S.E.....	616	949-8331		
Warren 48093, 27035 Van Dyke Blvd.....	313	756-6711		
Westland (Detroit) 48185, 8067 North Wayne Rd.....	313	427-1520		
MINNESOTA:				
Bloomington (Minneapolis-St. Paul) 55420, 9517 Lyndale Ave., S.....	612	984-9191		
MISSOURI:				
Kansas City 64111, 4324 Main St.....	816	531-0629		
St. Ann (North St. Louis) 63074, 3637 North Lindbergh Blvd.....	314	739-4661		
St. Louis 63131, 12852 Manchester Rd.....	314	821-8740		
NEBRASKA:				
Omaha 68127, 4225 S. 84th St.....	402	592-5666		
NEVADA:				
Las Vegas 89104, 3411 East Charleston Blvd.....	702	641-6555		
NEW JERSEY:				
Cherry Hill 08034, 1444 E. Marlton Pike/Rte. 70.....	609	429-2822		
Little Falls 07424, RT 46 E. at Lower Notch Rd.....	201	256-9373		
Union (Scotch Plains) 07076, 2520 Route #22 East	908	233-5665		
NEW MEXICO:				
Albuquerque 87110, 5617 Menaul Blvd., N.E.....	505	884-1002		
NEW YORK:				
Buffalo 14209, 881 W. Delavan Ave.....	716	884-6220		
Centereach L.I. 11720, 2061-63 Middle Country Rd.....	516	737-4706		
Elmhurst (New York) 11373, 77-20 Queens Blvd.....	718	335-1042		
Litham (Albany) 12110, 836 Troy-Schenectady Rd.....	518	785-1867		
Manhatten (New York) 10010, 50 West 23rd St.....	212	929-6450		
Rochester 14623, 2969 W. Henrietta Rd.....	716	424-1310		
Syracuse 13214, 3485 Erie Blvd., East	315	446-5086		
Westbury L.I. (New York) 11590, 1061 Old Country Rd.....	516	997-6140		
NORTH CAROLINA:				
Charlotte 28205, 3007 E. Independence Blvd.....	704	374-1779		
Greensboro 27407, 3716 High Point Rd.....	910	852-1300		
Raleigh 27604, 2930 Capital Blvd.....	919	878-0357		
Cincinnati 45241, 2310 E. Sharon Rd.....	513	772-3111		
Columbus 43227, 3975 E. Livingston Ave.....	614	237-0461		
Dayton 45409, 2898 S. Dixie Dr.....	513	298-1951		
OHIO:				
Mayfield Heights (East Cleveland) 44124, 5881 Mayfield Rd.....	216	449-2770		
Panama Heights (Cleveland) 44130, 6483 Pearl Rd.....	216	842-9100		
Toledo 43607, 3231 Dorr St.....	419	531-8921		
OKLAHOMA:				
Oklahoma City 73106, 1318 Linwood Blvd.....	405	232-7515		
Tulsa 74145, 3120 S. Sheridan Rd.....	918	622-5666		
OREGON:				
Portland 97209, 1640 N.W. Johnson St.....	503	228-8631		
PENNSYLVANIA:				
Evans City 16033, 20808 Rt. 19 North.....	412	779-9600		
Harrisburg 17112, 6080 Allentown Blvd.....	717	545-0651		
Lancaster 17601, 118 Keller Ave.....	717	389-5251		
Philadelphia 19103, 333 N. 20th St.....	215	584-5520		
Philadelphia (North) 19115, 9977-81 Bustleton Ave.....	215	464-7771		
Pittsburgh 15232, 5437 Baum Blvd.....	412	362-2700		
Whitehall (Allentown) 18052, 2242 MacArthur Rd.....	610	435-9544		
PUERTO RICO:				
Puerto Nuevo.....	809	783-3535		
RHODE ISLAND:				
See Seekonk, MA				
SOUTH CAROLINA:				
Greenville 29607, 1557 Laurens Rd.....	803	232-3038		
TENNESSEE:				
Knoxville 37917, 4118 N. Broadway.....	615	688-0921		
Memphis 38116, 1085 East Brooks Rd.....	901	332-3444		
Nashville 37211, 4811 Nolensville Rd.....	615	833-8277		
TEXAS:				
Amarillo 79106, 3008 West 6th Ave.....	806	373-1531		
Austin 78757, 6549 Burnet Rd.....	512	459-1133		
Dallas 75229, 2257 Royal Ln.....	214	620-6655		
El Paso 79915, 6822 Gateway East.....	915	778-9769		
Fort Worth 76111, 721 North Beach St.....	817	831-3828		
Houston 77022, 536 E. Tidwell Rd.....	713	692-7111		
Houston (S.W.) 77025, 9319 Stella Link Blvd.....	713	664-3666		
San Antonio 78201, 500 Culebra Ave.....	210	732-1221		
UTAH:				
Salt Lake City 84115, 1541 S. Third West St.....	801	486-5828		
VIRGINIA:				
Falls Church 22046, 344 W. Broad St.....	703	533-7313		
Norfolk 23513, 7631 Sewells Point Rd.....	804	480-3333		
Richmond 23222, 1424 Chamberlayne Ave.....	804	649-9245		
WASHINGTON:				
Seattle 98108, 421 S. Michigan St.....	206	763-2010		
Spokane 99208, N. 7011 Division St.....	509	467-8190		
Tacoma 98409, 2602 S. 38th St.....	206	473-6040		
WEST VIRGINIA:				
Charleston 25312, 1638 Sixth Ave.....	304	343-0289		
WISCONSIN:				
Milwaukee (Wauwatosa) 53226, 10424 West Bluemound Rd.....	414	453-4240		

Black & Decker (U.S.) Inc. • 701 East Joppa Road, Towson, Maryland 21286

Printed in U.S.A. (JUL94-CO-1) Form No. 159233 Copyright © 1994
