

# ELKAY<sup>®</sup>

## SPECIFICATIONS

### Contemporary Gourmet Double Bowl with Ribbed Area 18 Gauge - Type 304 - Self Rim Model ILCGR4822 Series

#### GENERAL

Highest quality sink bowls and integral ribbed area seamlessly drawn of #18 gauge, type 304 (18-8) nickel bearing stainless steel. Self-rimming.

#### DESIGN FEATURES

Bowl Depths: 6-1/16" (small bowl), 8" (large bowl).  
Bowl and Ribbed Area Recessed: 1/2" below outside edge of sink.

Finish: Exposed surfaces are hand blended to a lustrous highlighted Lustertone<sup>®</sup> satin finish.

Underside: Fully protected by heavy duty Sound Guard<sup>®</sup> undercoating to prevent condensation and deaden sound.

#### OTHER

Drain Opening: 3-1/2".

Faucet Holes: Available with 1, 2, 3 or 4, 1-1/2" diameter faucet holes, as illustrated on back.

#### OPTIONAL ACCESSORIES

Rinsing Baskets: LKRB715, LKRB1614, LKERBSS and DB1420.

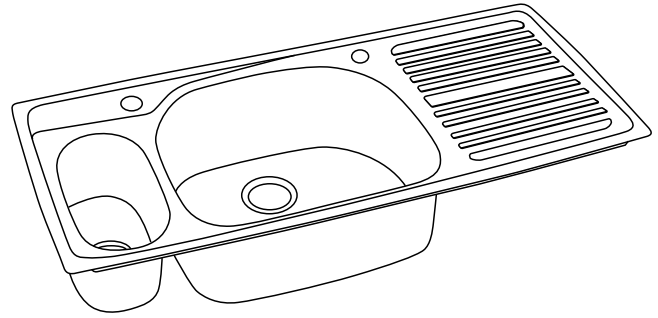
Cutting Board: CBT2213.

Colander: SC1407.

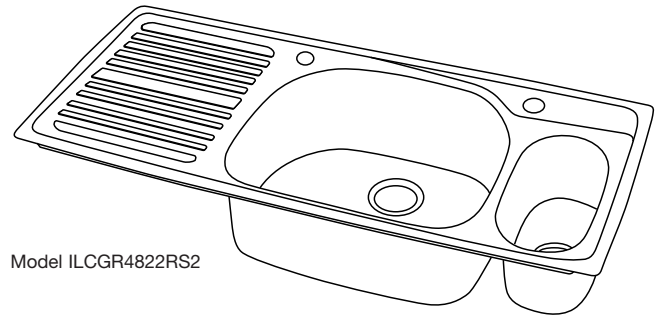
These sinks comply with ANSI Standard A112.19.3M.



These sinks are listed by the International Association of Plumbing and Mechanical Officials as meeting the requirements of the Uniform Plumbing Code.



Model ILCGR4822LS2

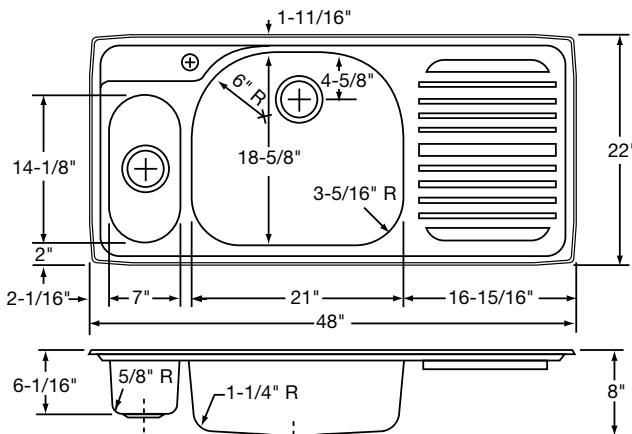


Model ILCGR4822RS2

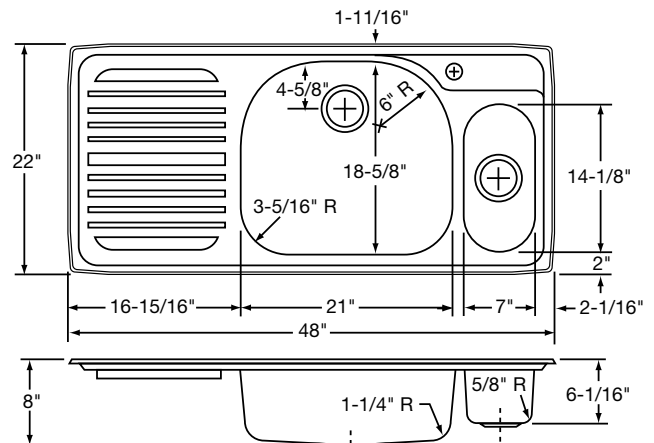
#### SINK DIMENSIONS (INCHES)\*

Model Number	Overall		Inside Each Bowl			Ribbed Area Length	Cutout in Countertop (1 1/2" Radius Corners)		Number of 1 1/2" Dia. Faucet Holes	Minimum Cabinet Size	Ship. Wt. Lbs.			
	L	W	L	W	D		L	W						
ILCGR4822L1	48	22	7	14 1/8	6 1/16	21	18 5/8	8	16 15/16	47 3/8	21 3/8	1	54	35
ILCGR4822L2	48	22	7	14 1/8	6 1/16	21	18 5/8	8	16 15/16	47 3/8	21 3/8	2	54	35
ILCGR4822LS2	48	22	7	14 1/8	6 1/16	21	18 5/8	8	16 15/16	47 3/8	21 3/8	2	54	35
ILCGR4822L3	48	22	7	14 1/8	6 1/16	21	18 5/8	8	16 15/16	47 3/8	21 3/8	3	54	35
ILCGR4822L4	48	22	7	14 1/8	6 1/16	21	18 5/8	8	16 15/16	47 3/8	21 3/8	4	54	35
ILCGR4822R1	48	22	21	18 5/8	8	7	14 1/8	6 1/16	16 15/16	47 3/8	21 3/8	1	54	35
ILCGR4822R2	48	22	21	18 5/8	8	7	14 1/8	6 1/16	16 15/16	47 3/8	21 3/8	2	54	35
ILCGR4822RS2	48	22	21	18 5/8	8	7	14 1/8	6 1/16	16 15/16	47 3/8	21 3/8	2	54	35
ILCGR4822R3	48	22	21	18 5/8	8	7	14 1/8	6 1/16	16 15/16	47 3/8	21 3/8	3	54	35
ILCGR4822R4	48	22	21	18 5/8	8	7	14 1/8	6 1/16	16 15/16	47 3/8	21 3/8	4	54	35

\*Length is left to right. Width is front to back.



Model ILCGR4822L1 Illustrated



Model ILCGR4822R1 Illustrated

ALL DIMENSIONS IN INCHES, TO CONVERT TO MILLIMETERS MULTIPLY BY 25.4.

In keeping with our policy of continuing product improvement, Elkay reserves the right to change product specifications without notice.

This specification describes an Elkay product with design, quality and functional benefits to the user. When making a comparison of other producers' offerings, be certain these features are not overlooked.

Elkay

www.elkayusa.com

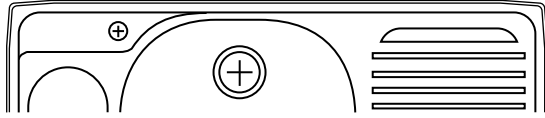
2222 Camden Court  
Oak Brook, IL 60523

Printed in U.S.A.  
©2003 Elkay

(Rev. 7/03) 1-29C

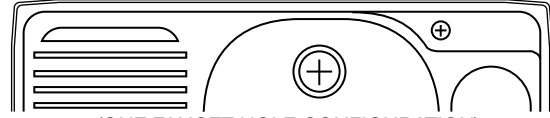
**HOLE DRILLING CONFIGURATIONS**

ALL FAUCET HOLES ARE 1-1/2" DIAMETER

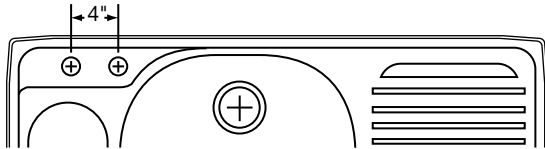


(ONE FAUCET HOLE CONFIGURATION)  
Model ILCGR4822L1 Illustrated

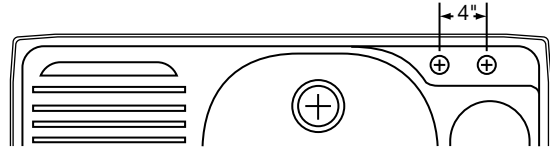
ALL FAUCET HOLES ARE 1-1/2" DIAMETER



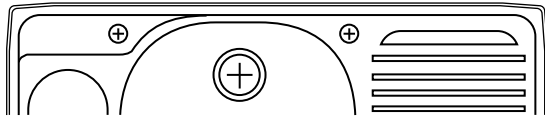
(ONE FAUCET HOLE CONFIGURATION)  
Model ILCGR4822R1 Illustrated



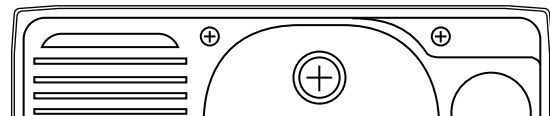
(TWO FAUCET HOLE CONFIGURATION)  
Model ILCGR4822L2 Illustrated



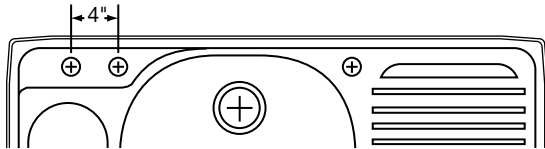
(TWO FAUCET HOLE CONFIGURATION)  
Model ILCGR4822R2 Illustrated



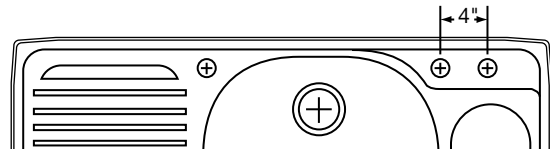
(SPREAD TWO FAUCET HOLE CONFIGURATION)  
Model ILCGR4822LS2 Illustrated



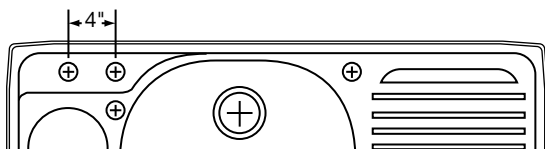
(SPREAD TWO FAUCET HOLE CONFIGURATION)  
Model ILCGR4822RS2 Illustrated



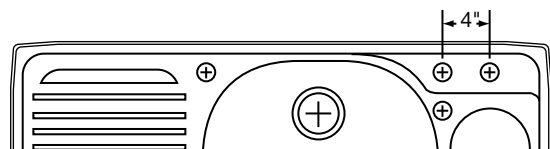
(THREE FAUCET HOLE CONFIGURATION)  
Model ILCGR4822L3 Illustrated



(THREE FAUCET HOLE CONFIGURATION)  
Model ILCGR4822R3 Illustrated



(FOUR FAUCET HOLE CONFIGURATION)  
Model ILCGR4822L4 Illustrated



(FOUR FAUCET HOLE CONFIGURATION)  
Model ILCGR4822R4 Illustrated