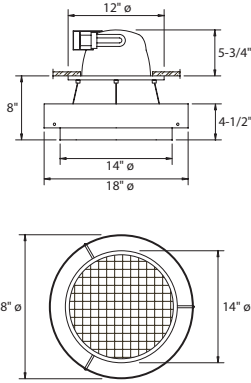


SHAPER™



420-RP SERIES

420-RP features an 18" pendant designed for low ceiling applications and offers performance optics by Portfolio.



Sample Number: 420-RP-CFL/2/32-347V-SAL

Series	Lamp	Voltage	Finish	Options
420-RP =18" Pendant	CFL/2/26	120V	NA (standard),	DL
	CFL/2/32	277V	CC, MW, SAL	EM
	CFL/2/42	347V		

MATERIAL

Painted or natural aluminum supplied with an aluminum cube cell louver, painted white.

LAMP/SOCKET

Two (2) 26W, 32W (GX24q-3) or 42W (GX24q-4) 4-pin triple CFL lamps. Universal 4-pin CFL socket injection molded plastic with guide post inserts reject 2-pin lamp to ensure proper lamping. Lamps furnished by others.

FINISH AND OPTIONS

See page 1020 for finish details and options.

BALLAST/EMERGENCY BATTERY PACK

One (1) integral multi-voltage (120V/277V) electronic CFL (347V Canada) ballast for a 26W, 32W or 42W CFL lamp. Optional - One (1) integral emergency battery pack option (EM) is shipped pre-wired. Sealed Ni-Cad battery powers CFL lamps for 90 minutes of emergency illumination. Integral test switch/indicator light is located inside the reflector, out of view but easily accessible for testing.

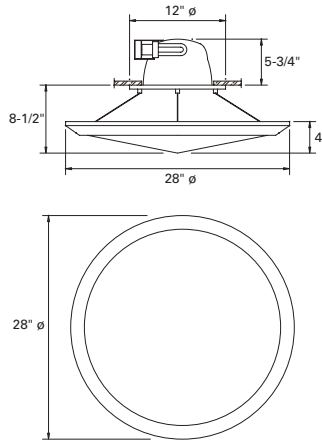
INSTALLATION

Recessed mounting requires 9" (23cm) diameter by 6 3/8" (16cm) deep opening in ceiling. Accommodates ceilings up to 2" (5 cm) thick. No Fuss Bar Hangers (tm) and T-Bar provided with centering mechanism that allows consistent centering of luminaire. Thermal protection deactivates unit if improper lamp type or wattage is used or if insulation is placed too close to the housing. Decorative trim/bowl assembly is securely suspended from the mounting ring by three stainless steel cables (provided). No cutting or adjustment of cables is required to achieve standard overall height and level mounting.



445-RP SERIES

445-RP features a 28" pendant designed for low ceiling applications and offers performance optics by Portfolio.



Sample Number: 445-RP-CFL/2/32-347V-PC

Series	Lamp	Voltage	Finish	Options
445-RP =28" Pendant	CFL/2 /26	120V	MW (standard),	DL
	CFL/2 /32	277V	CC, PB, PC, PCP,	EM
	CFL/2 /42	347V	SB, SC, SCL, SCP,	FB
			SN, SNL	

MATERIAL

Painted or plated cold rolled steel trim ring with a matte white acrylic bowl.

LAMP/SOCKET

Two (2) 26W, 32W (GX24q-3) or 42W (GX24q-4) 4-pin triple CFL lamps. Universal 4-pin CFL socket injection molded plastic with guide post inserts reject 2-pin lamp to ensure proper lamping. Lamps furnished by others.

FINISH AND OPTIONS

See page 1020 for finish details and options.

BALLAST/EMERGENCY BATTERY PACK

One (1) integral multi-voltage (120V/277V) electronic CFL (347V Canada) ballast for 26W, 32W or 42W CFL lamps. One (1) integral emergency battery pack option (EM) is shipped pre-wired. Sealed Ni-Cad battery powers CFL lamps for 90 minutes of emergency illumination. Integral test switch/indicator light is located inside the reflector, out of view but easily accessible for testing.

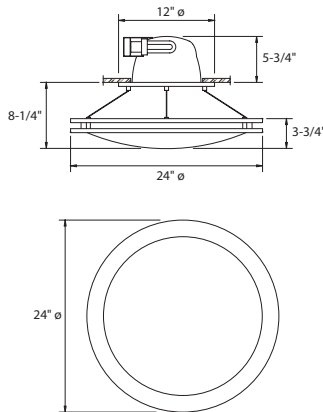
INSTALLATION

Recessed mounting requires 9" (23cm) diameter by 6 3/8" (16cm) deep opening in ceiling. Accommodates ceilings up to 2" (5 cm) thick. No Fuss Bar Hangers (tm) and T-Bar provided with centering mechanism that allows consistent centering of luminaire. Thermal protection deactivates unit if improper lamp type or wattage is used or if insulation is placed too close to the housing. Decorative trim/bowl assembly is securely suspended from the mounting ring by three stainless steel cables (provided). No measuring, cutting or adjustment of cables is required to achieve standard overall height and level mounting.



494-RP SERIES

494-RP features a 24" pendant designed for low ceiling applications and offers performance optics by Portfolio.



Sample Number: 494-RP-CFL/2/32-347V-PC

Series	Lamp	Voltage	Finish	Options
494-RP =24" Pendant	CFL/2/26	120V	MW (standard),	DL
	CFL/2/32	277V	CC, PB, PC, PCP,	EM
	CFL/2/42	347V	SB, SC, SCL, SCP,	FB
			SN, SNL	

MATERIAL

Painted or plated cold rolled steel trim ring with a matte white acrylic bowl.

LAMP/SOCKET

Two (2) 26W, 32W (GX24q-3) or 42W (GX24q-4) 4-pin triple CFL lamps. Universal 4-pin CFL socket injection molded plastic with guide post inserts reject 2-pin lamp to ensure proper lamping. Lamps furnished by others.

FINISH AND OPTIONS

See page 1020 for finish details and options.

BALLAST/EMERGENCY BATTERY PACK

One (1) integral multi-voltage (120V/277V) electronic CFL (347V Canada) ballast for 26W, 32W or 42W CFL lamps. One (1) integral emergency battery pack option (EM) is shipped pre-wired. Sealed Ni-Cad battery powers CFL lamps for 90 minutes of emergency illumination. Integral test switch/indicator light is located inside the reflector, out of view but easily accessible for testing.

INSTALLATION

Recessed mounting requires 9" (23cm) diameter by 6 3/8" (16cm) deep opening in ceiling. Accommodates ceilings up to 2" (5 cm) thick. No Fuss Bar Hangers (tm) and T-Bar provided with centering mechanism that allows consistent centering of luminaire. Thermal protection deactivates unit if improper lamp type or wattage is used or if insulation is placed too close to the housing. Decorative trim/bowl assembly is securely suspended from the mounting ring by three stainless steel cables (provided). No measuring, cutting or adjustment of cables is required to achieve standard overall height and level mounting.