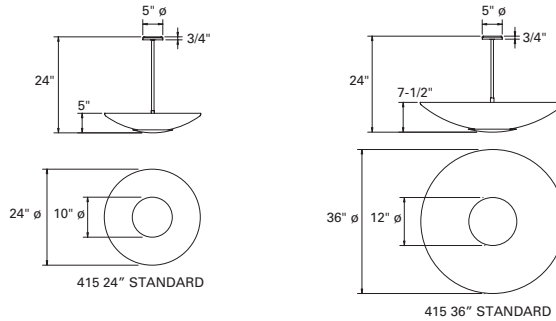




415 SERIES

The 415 Solid, Perforated or Luminous Pendant features direct/indirect illumination with an Accent Disc available in two diameters with multiple mounting options.



Sample Number: 415-SBD-36-CFL/4/26-347V-OBRS-

Series	Bowl	Size	Lamp	Voltage	Finish
415= Bowl w/ Accent Disc	LBD =	24"	CFL/4/26 ¹	120V	MW (standard), CC, OBRS, PB,
	Luminous Bowl	36"	CFL/4/32 ¹	277V ³	PC, PCP, PN, SAL,
	PFD =		CFL/4/39 ²	347V ³	SB, SC, SCL, SCP,
	Perforated Bowl		CFL/4/42 ^{1,2}		SN, SNL
	SBD =		CFL/8/39 ²		
	Solid Bowl		CFL/8/42 ²		
			INC/3/75 ¹		
			INC/3/100 ²		

Notes:

1. Available in 24".
2. Available in 36".
3. Available with CFL only.
4. Note available with PFD.
5. SBD and 24" LBD only.
6. SBD only.
7. Luminous Bowl only.
8. Consult the factory for available options.
9. Supplied by others.
10. Not available with 1SAC, SJWAC or SJCAC. Specify up to 45°.

Options	Suspension Height
1SAC	CPP ⁶ 24"
3S	CT ⁷ Or Specify
QPB	DL
SJCAC	DM ⁸
SJWAC	IEM ^{2,3}
TPB	REM ¹¹
TSP2B	SCA ¹⁰
TSP3B	FB ⁷
TSP4B	TR

MATERIAL

Painted and plated cold rolled steel, solid brass or aluminum. Matte acrylic Luminous Bowl with center accent disc (LBD) or Aluminum Perforated Bowl with acrylic liner, coming trim and accent disc (PFD) or cold rolled steel, aluminum or natural brass Solid Bowl with center accent disc (SBD). Cold rolled steel, solid brass or stainless steel Coming Trim (CT) optional for the Luminous Bowl. Single stem is standard suspension. Minimum 18" (OA). Supplied with a swivel canopy which will accommodate up to 45° total adjustment.

INSTALLATION

Supplied with either a circle strap mounting canopy or bar strap that mounts to a 4" J-box or plaster ring. Integral safety cable provided.

BALLAST

Integral electronic HPF, multi-volt 120/277V (347V Canada), thermally protected with end-of-life circuitry to accommodate the specified lamp wattage.

LAMP/SOCKET

24": Four (4) 26W, 32W (GX24q-3) or 42W (GX24q-4) 4-pin triple CFL lamps or three (3) 75W A-19 lamps.
36": Four (4) or eight (8) 39W (2G11) high lumen CFL lamps, 42W (GX24q-4) 4-pin triple CFL lamps or three (3) 100W A-19 lamps. CFL socket injection molded plastic. INC socket fired ceramic rated for 660W-250V. Lamps furnished by others.

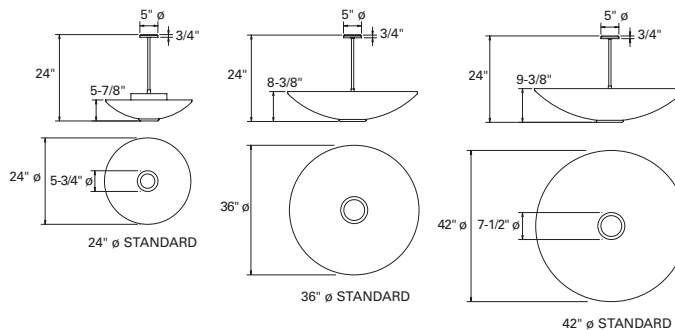
FINISH AND OPTIONS

See page 1020 for finish details and options.



415-D SERIES

The 415-D Solid, Perforated or Luminous Pendant features direct/indirect illumination with an integral downlight. Available in three diameters with multiple mounting options.



Sample Number: 415-D-SMB-36-CFL/4/26-PAR30H/1/75-347V-OBRS-

Series	Bowl	Size	Lamp	Downlight Lamp	Voltage
415-D= Bowl w/ Integral Downlight	LB =	24"	CFL/4/13 ¹	CFL/1/13 ¹	120V
	Luminous Bowl	36"	CFL/4/26 ¹	CFL/1/26 ²	277V ⁴
	PFC =	42"	CFL/4/27 ²	CFL/1/32 ³	347V ⁴
	Perforated Bowl		CFL/4/32 ¹	PAR20H/1/50 ¹	
	SMB =		CFL/4/39 ²	PAR30H/1/75 ^{2,3}	
	Solid Bowl		CFL/4/42 ^{2,3}		
			INC/3/75 ¹		
			INC/6/75 ²		
			INC/6/100 ³		

Notes:

1. Available in 24".
2. Available in 36".
3. Available in 42".
4. Available with CFL only.
5. Not available with PFC.
6. 24" LB only.
7. Luminous Bowl only.
8. Not available in 13W.
9. Not available in 27W.
10. Consult the factory for available options.
11. Supplied by others.
12. Not available with 1SAC, SJWAC or SJCAC. Specify up to 45°.

Finish	Options	Suspension Height
MW (standard), CC, OBRS ⁵ , PB ⁶ , PC ⁵ , PCP ⁵ , PN ⁶ , SAL, SB ⁵ , SC ⁵ , SCL, SCP ⁵ , SN ⁶ , SNL	1SAC 3S QPB SJCAC SJWAC TPB TSS2B TSS3B	TSS4B CT ⁷ DL DM ^{8,9,10} IEM ^{2,3} REM ¹¹ SCA ¹² FB ⁷

MATERIAL

Painted and plated cold rolled steel, solid brass or aluminum. Matte white acrylic Luminous Bowl (LB) or aluminum Perforated Bowl with matte white acrylic liner and coming trim (PFC) or cold rolled steel, aluminum, natural bronze brass Solid Bowl (SMB). Cold rolled steel, solid brass or stainless steel Coming Trim (CT) optional for the Luminous Bowl. Downlight trim is cold rolled steel, solid brass or aluminum. Single stem is standard suspension. Minimum 18" (OA). Supplied with a swivel canopy which will accommodate up to 45° total adjustment.

INSTALLATION

Supplied with either a circle strap mounting canopy or bar strap that mounts to a 4" J-box or plaster ring. Integral safety cable provided.

BALLAST

Integral electronic HPF, multi-volt 120/277V (347V Canada), thermally protected with end-of-life circuitry to accommodate the specified lamp wattage.

LAMP/SOCKET

24" Bowl: Four (4) 13W (2GX7) 4-pin low wattage CFL lamps, 26W or 32W (GX24q-3) 4-pin triple CFL lamps or three (3) 75W A-19 lamps.
Downlight: One (1) 13W (G24q-3) 4-pin quad CFL lamp or one (1) 50WPAR20H.
36" Bowl: Four (4) 27W (2G11) high lumen CFL lamps, 42W (GX24q-4) 4-pin triple CFL lamps or six (6) 75W A-19 lamps.
Downlight: One (1) 26W (GX24q-3) 4-pin triple CFL lamp or one (1) 75WPAR30H.
42" Bowl: Four (4) 39W (2G11) high lumen CFL lamps, 42W (GX24q-4) 4-pin triple CFL lamps or six (6) 100W A-19 lamps.
Downlight: One (1) 32W (GX24q-3) 4-pin triple CFL lamp or one (1) 75WPAR30H. CFL socket injection molded plastic. INC socket fired ceramic rated for 660W-250V. Lamps furnished by others.

FINISH AND OPTIONS

See page 1020 for finish details and options.